









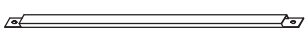


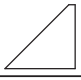

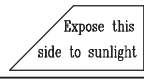
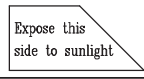




PACKING DETAILS: TOTAL 5 BOXES


BOX 1/5:

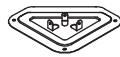




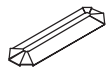






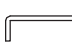
PART NO.	PARTS	QTY
1	 Standing pole	x4
2	 Side pole	x2
3	 Side pole	x2
4	 Side pole	x2
5	 Side pole	x2
9		x4
10		x4
A		x2
A1		x8
B		x2
C		x2
D		x4
E		x4

BOX 2/5:


PART NO.	PARTS	QTY
P	 Expose this side to sunlight	x4
Q	 Expose this side to sunlight	x4
R	 Expose this side to sunlight	x4
S	 Expose this side to sunlight	x4
T		x2
U		x2

BOX 3/5:






PART NO.	PARTS	QTY
X	 Sidepanels	x4

PART NO.	PARTS	QTY
F	 Underpan	x4
G		x4
H		x4
I		x6
J		x1
K		x1
L		x6
M		x4
N	 M6x16 bolt	x141
O	 M6x12 bolt	x32
V	 Plastics wreath	x88
Y	 Spanner	x1
Z	 Ground nail	x12

BOX 4/5:

PART NO.	PARTS	QTY
W	 Mosquitonets	x4

BOX 5/5:

PART NO.	PARTS	QTY
6	 Side rib	x4
7	 Midmost rib	x6
8		x2
B1		x8
C1		x8