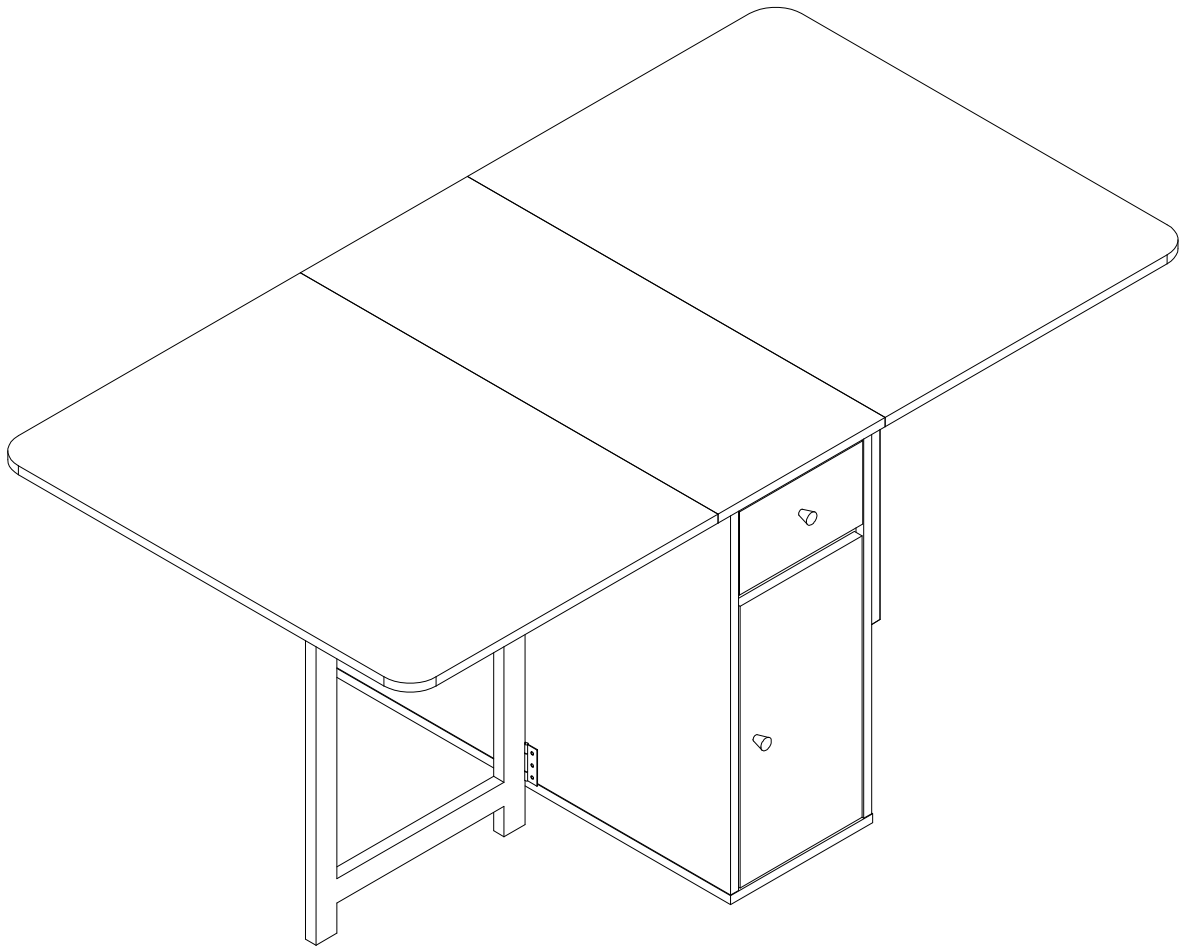
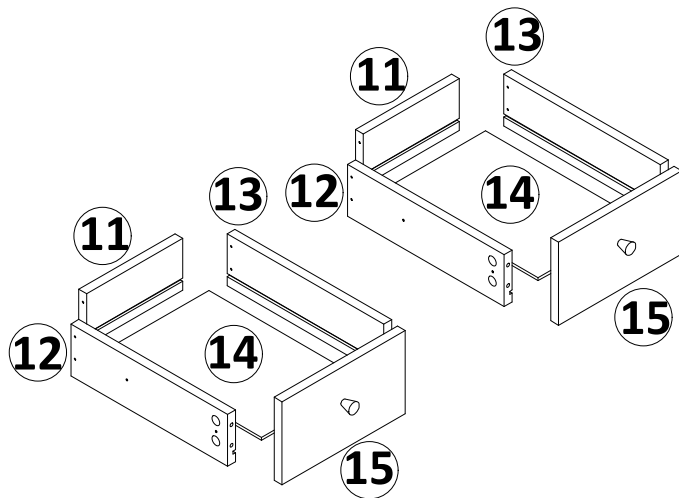
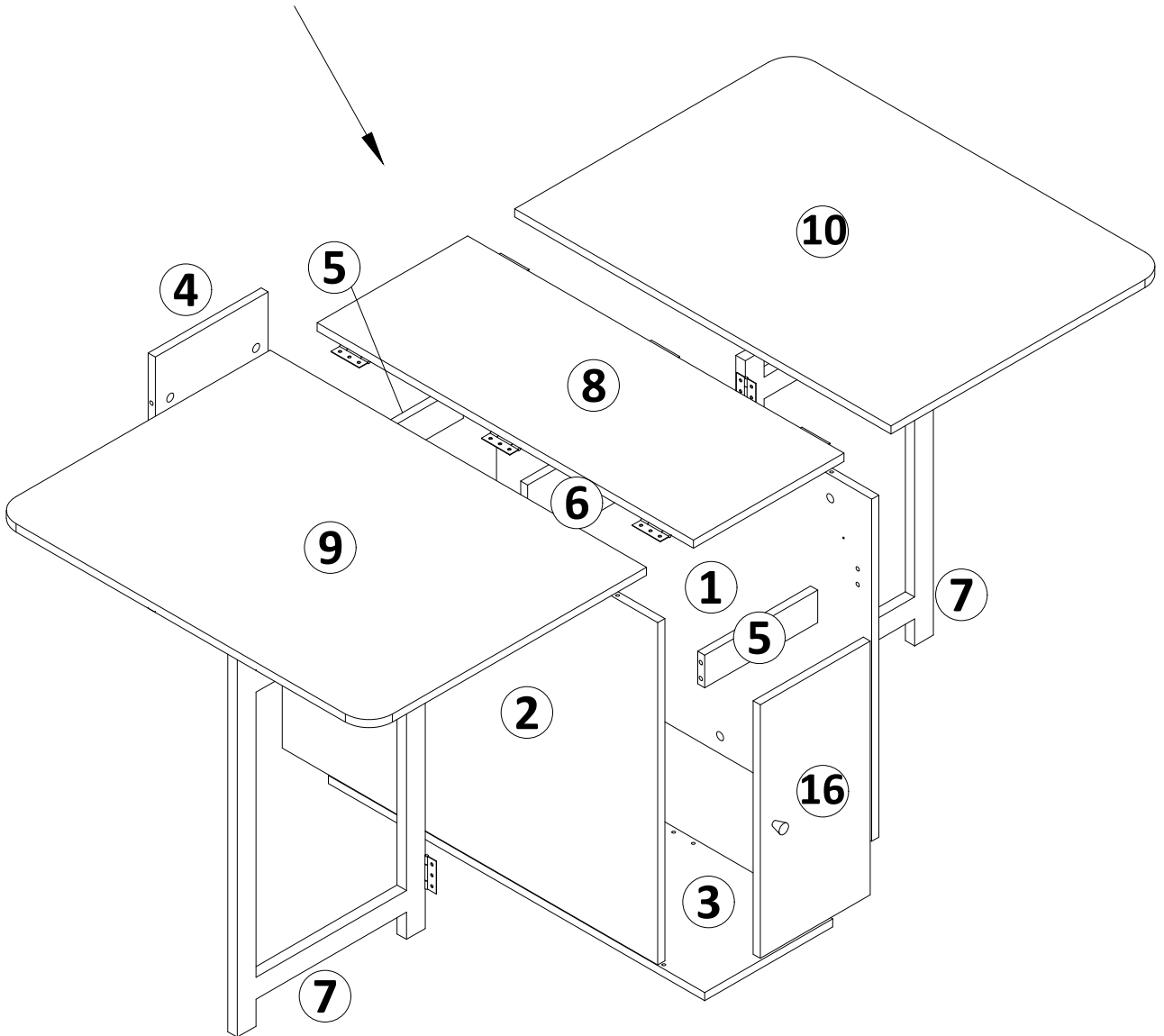


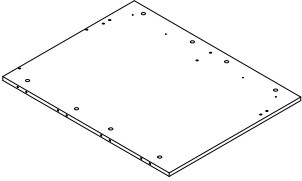
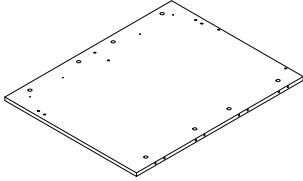
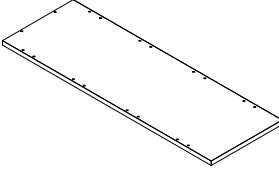
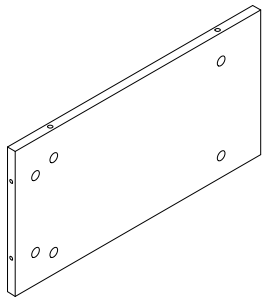


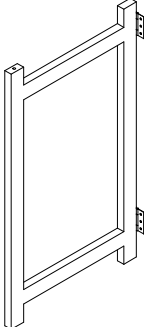
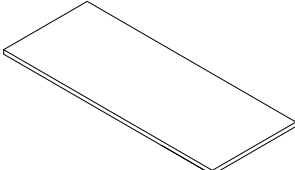
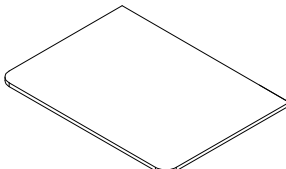
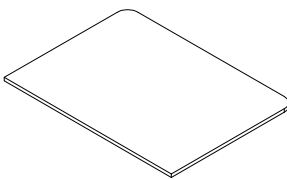
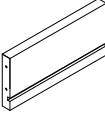
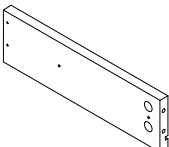
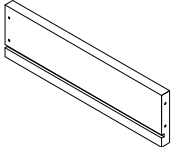
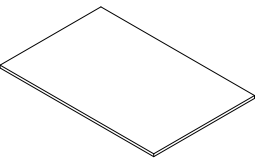
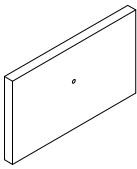
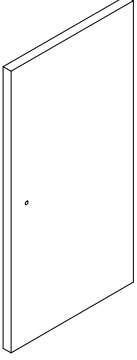
Dining Table



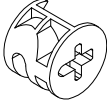
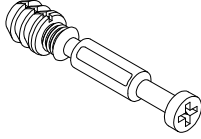
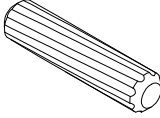
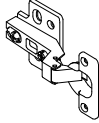

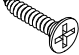
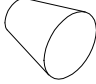
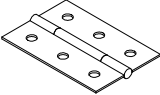
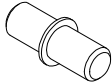
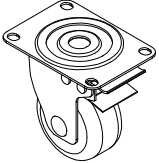
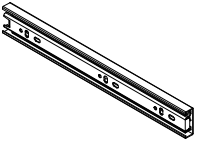
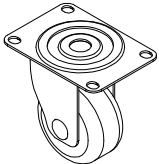
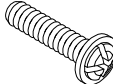
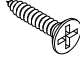
Each wooden board has a number sticker. Match them one-by-one according to the steps in the assembly manual.

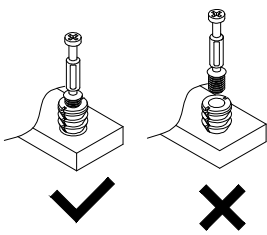


PARTS LIST

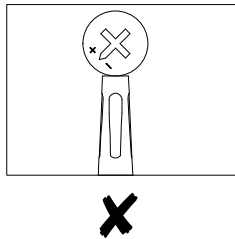
1	2	3	4
			
1PC	1PC	1PC	1PC
5	6	7	8
			
2PCS	1PC	2PCS	1PC
9	10	11	12
			
1PC	1PC	2PCS	2PCS
13	14	15	16
			
2PCS	2PCS	2PCS	1PC

HARDWARE LIST

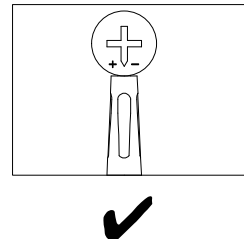
A	B	C	D	E
				
$\varnothing 15*10\text{MM}$ 44PCS	$\varnothing 6*35\text{MM}$ 44PCS	$\varnothing 8*30\text{MM}$ 16PCS		2PCS $\varnothing 3.5*35\text{MM}$ 8PCS
F	G	H	I	J
				
$\varnothing 3.5*14\text{MM}$ 76PCS		3PCS	6PCS	2PCS
K	L	M	N	
				
10" 2PCS		2PCS $\varnothing 4*20\text{MM}$ 3PCS	$\varnothing 5*14\text{MM}$ 16PCS	



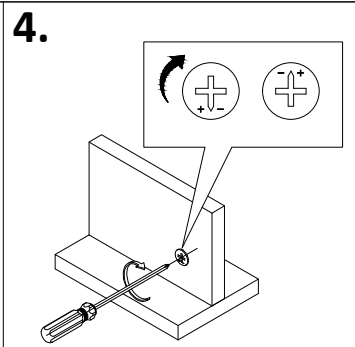
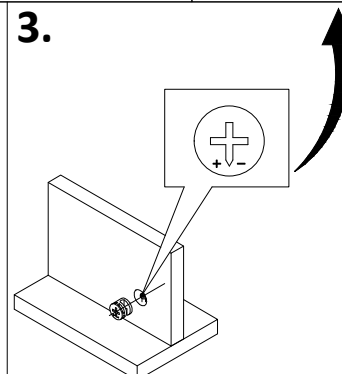
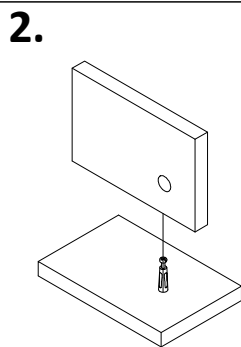
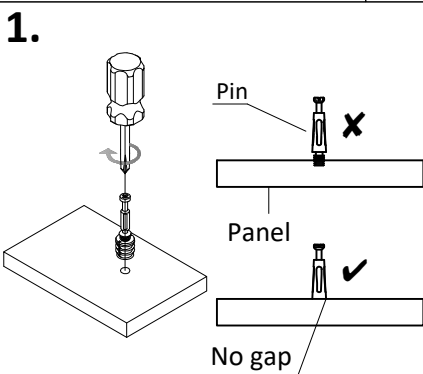
This part cannot be separated, please install in strict accordance with the assembly requirements.



Adjust connecting piece direction until it is properly lined up with the hole.

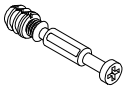


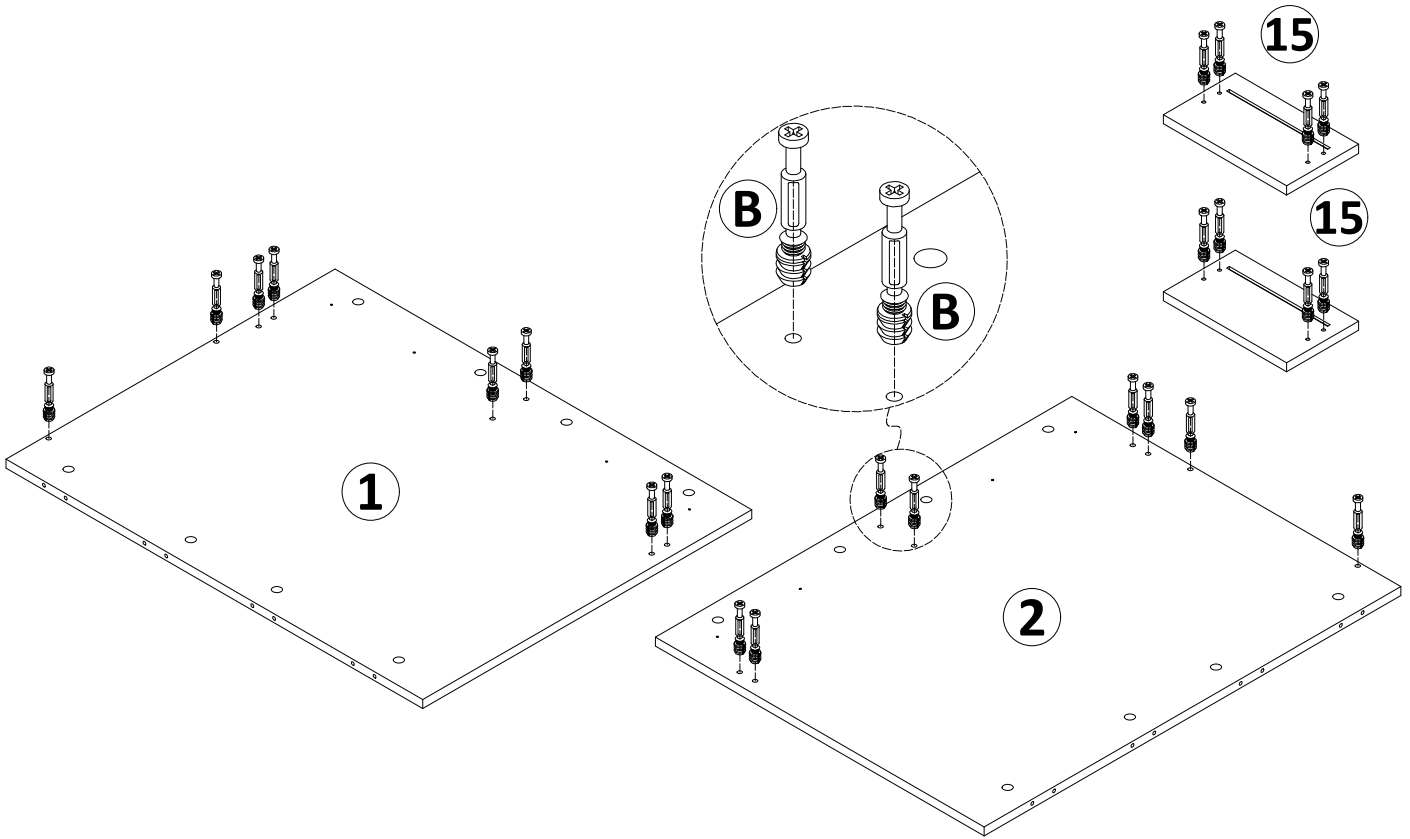
Insert bolt when connecting piece direction is properly lined up.



Step 1

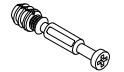
As shown in the diagram, screw #B (connector bolt) into the corresponding holes of the panels 1/2/15(x2).

B  **X24**



Step 2

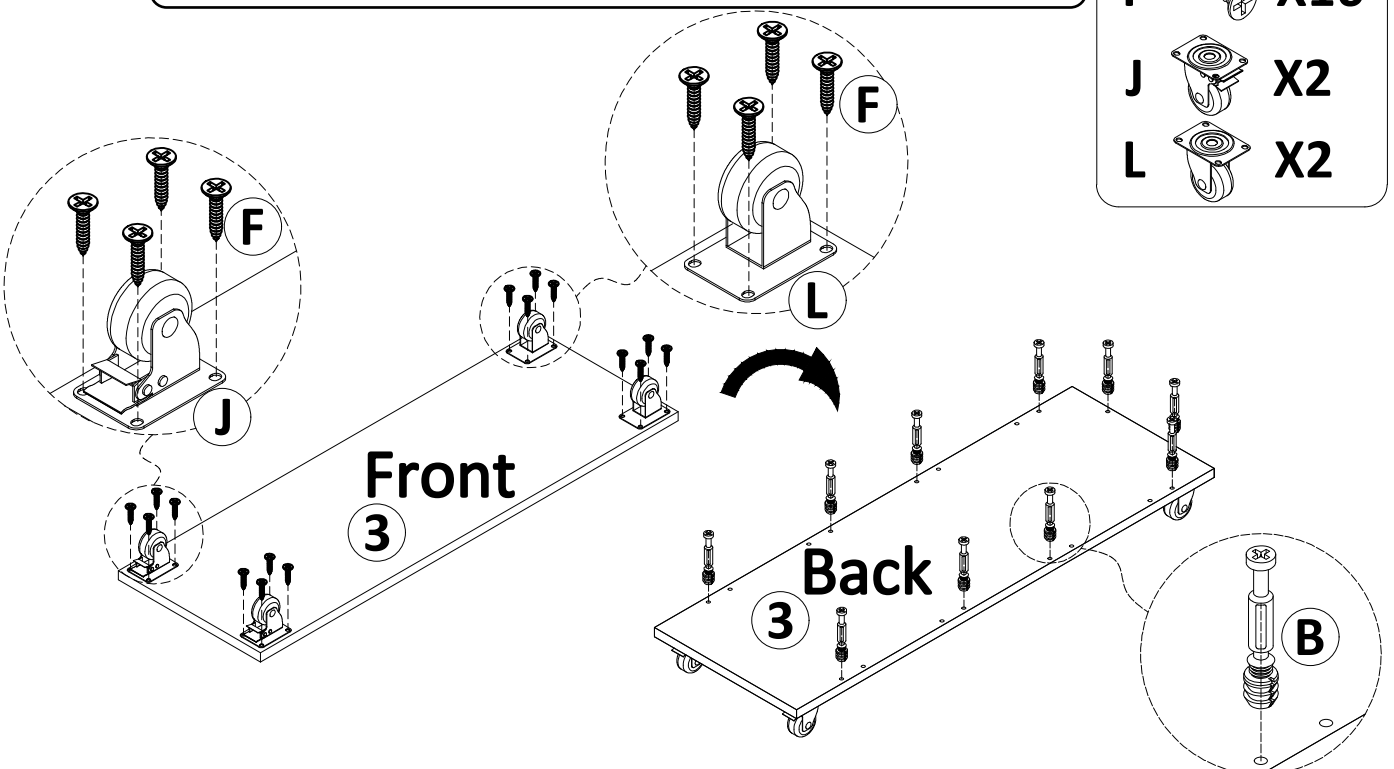
1. As shown in the image, on the front of Panel 3, install #L (wheels) and #J (wheels) at the corners of the two long sides and secure with screws #F.
2. Then, turn Panel 3 over and screw screws #B (connector bolt) into the holes on the back of Panel 3.

B  **X10**

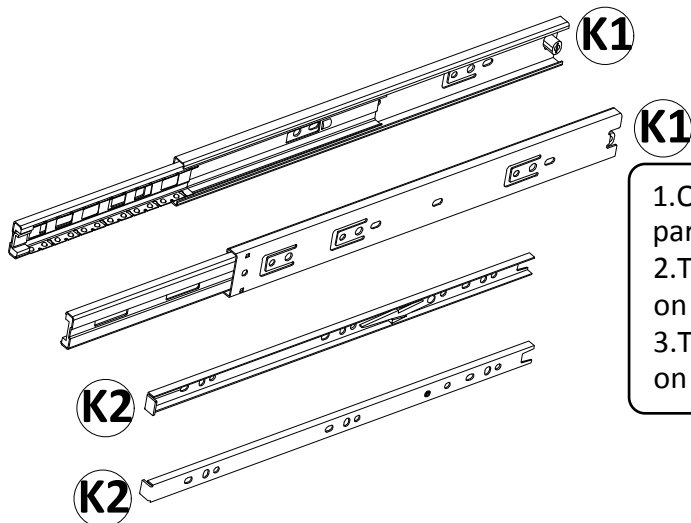
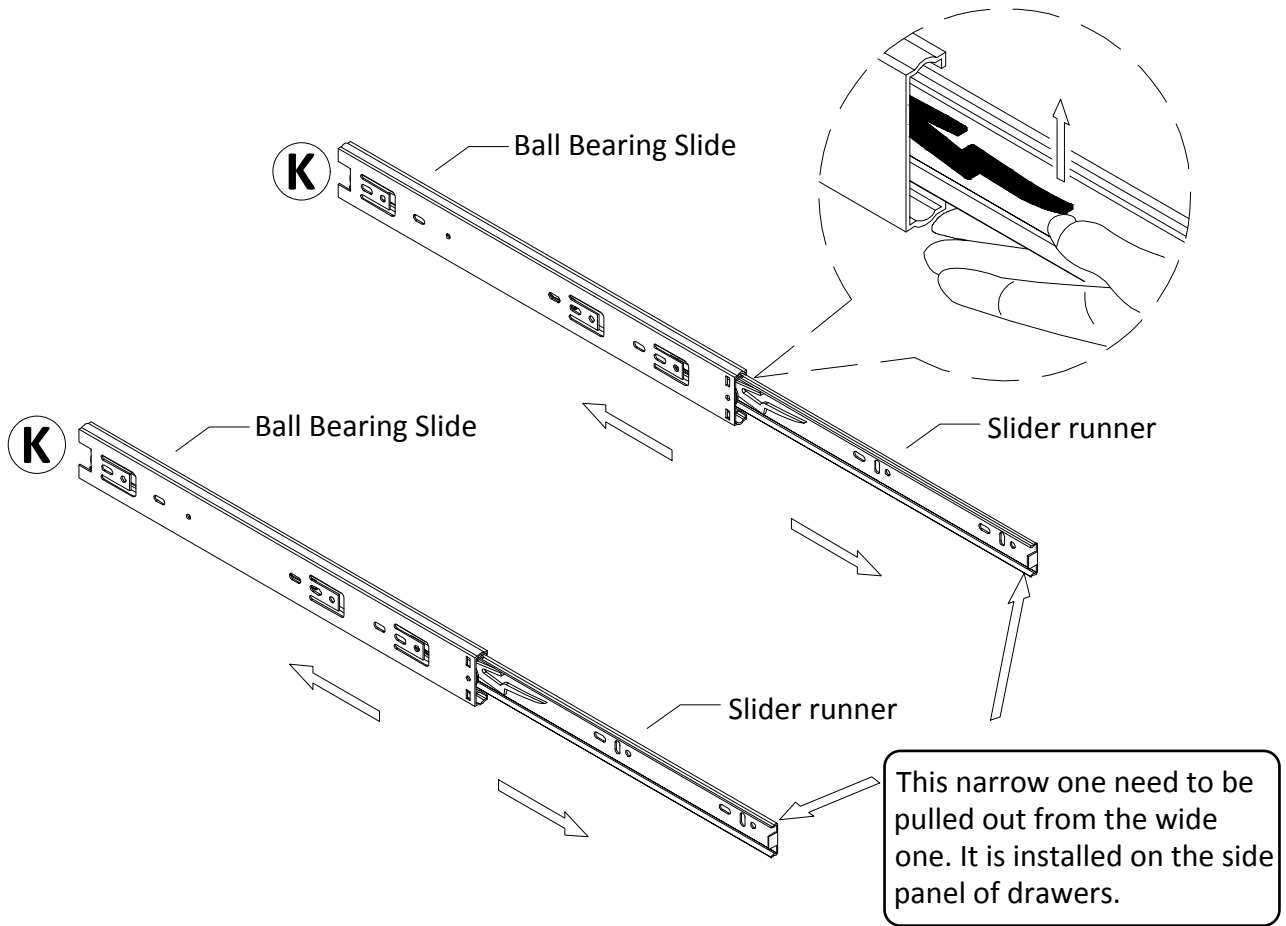
F  **X16**

J  **X2**

L  **X2**



Step 3



- 1. One set of guide rail should be four parts.
- 2. Two wide guide rails are installed on the side panel of the cabinet.
- 3. Two narrow guide rails are installed on the side panel of drawers.

Attention:
Take care when installing the slide rails as they have been pre-lubricated.

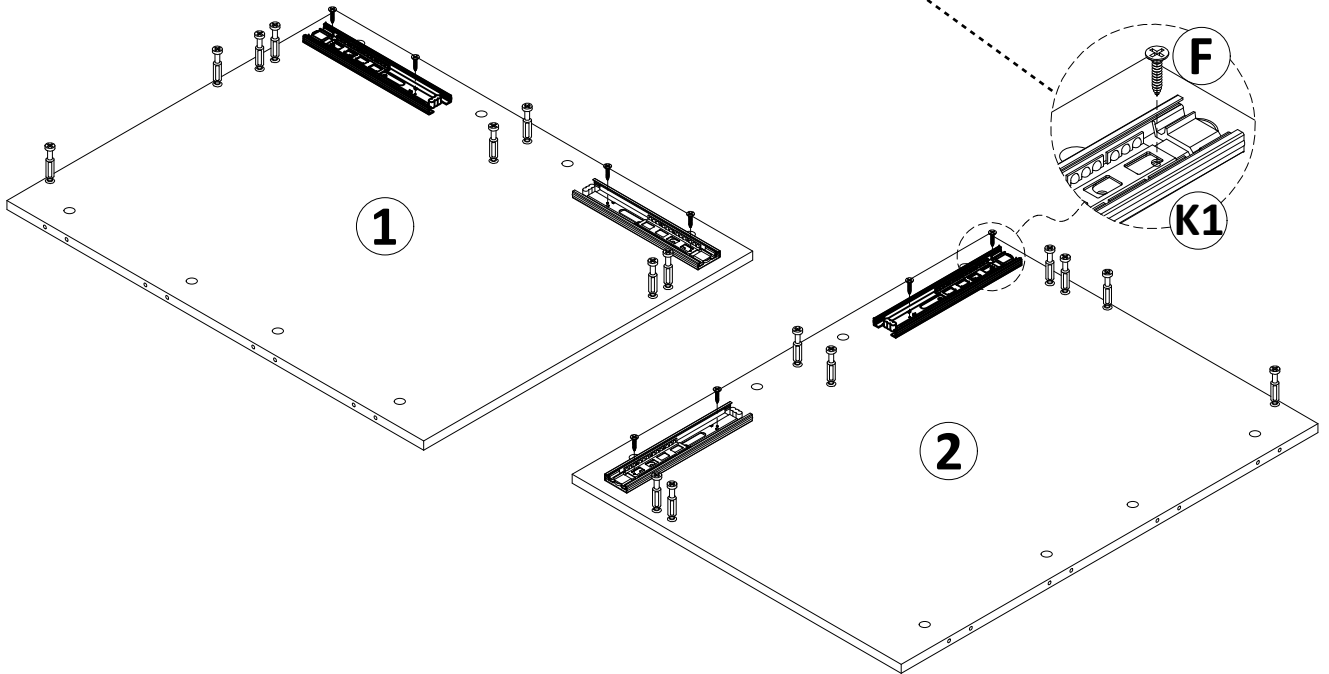
Step 4

1. Secure the K1 (outer rail) to the pre-drilled holes on Panel 1 and Panel 2 using #F (screws).

2. A gap should be left between the guide rail and the edge of the panel.

F  **X8**

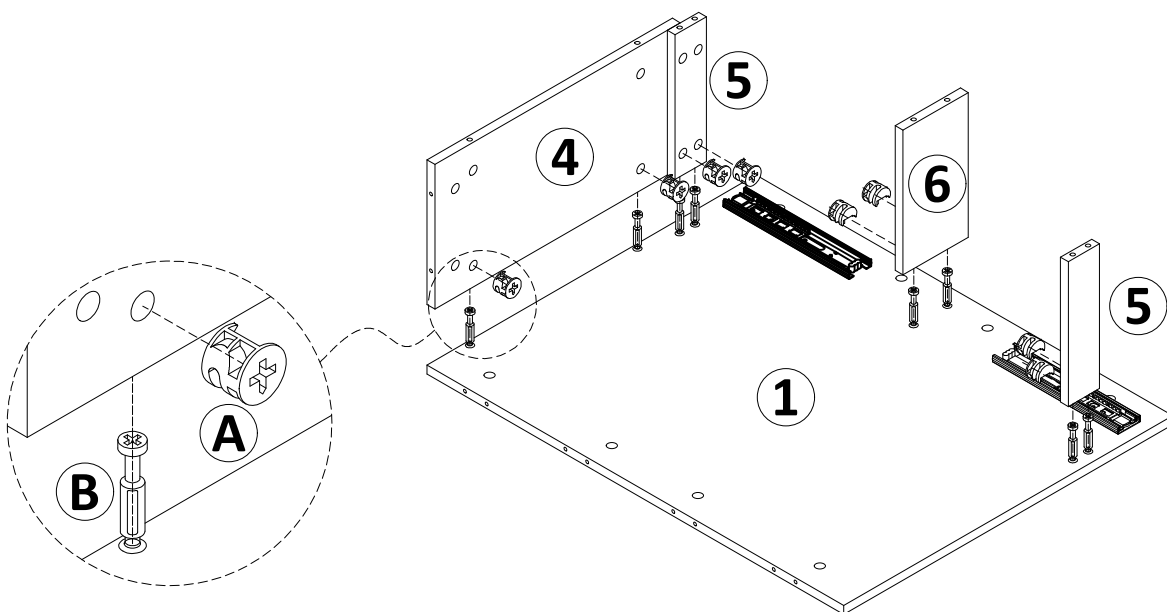
K1  **X4**




Step 5

As shown, snap Panels 4/5(x2)/6 onto Panel 1 and tighten #A (eccentric cam lock) to secure.

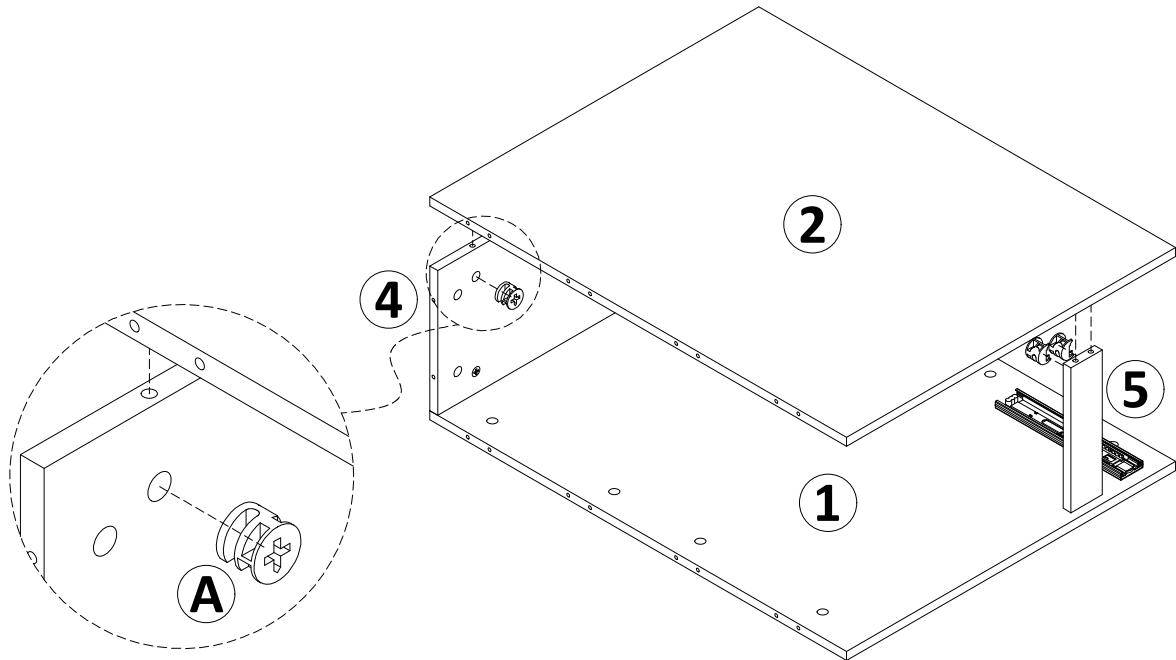
A  **X8**



Step 6

A  **X8**

Continue to install Panel 2 and tighten with #A (eccentric cam lock).


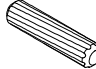


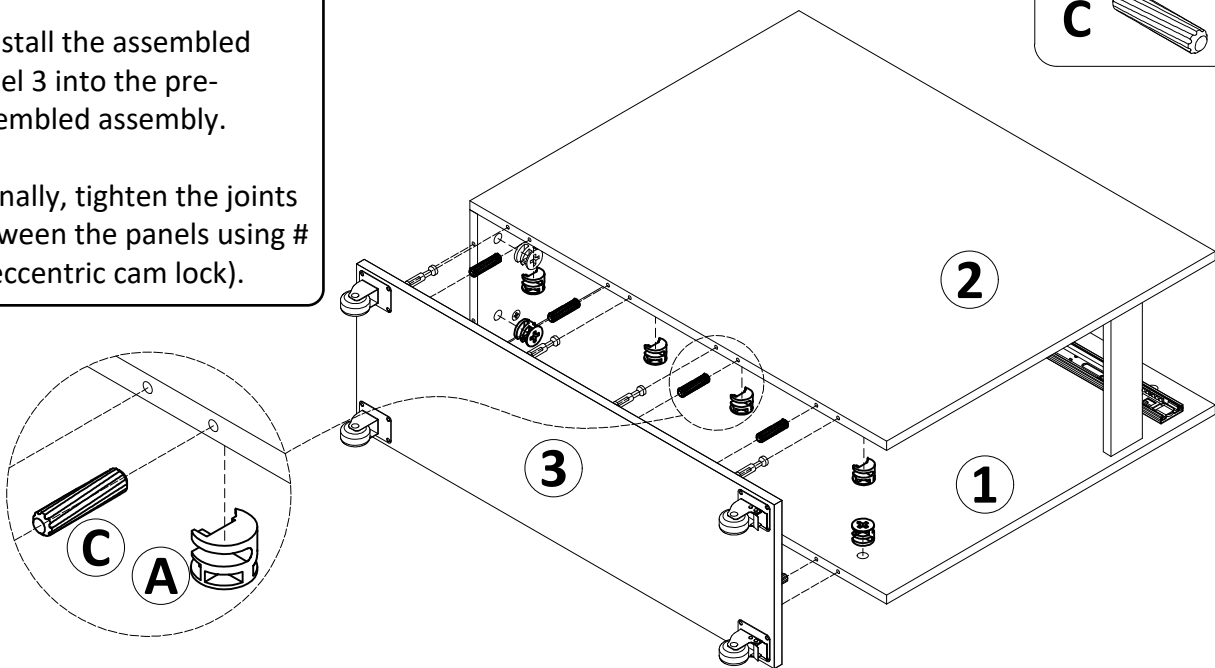
Step 7

1. On Panels 1 and 2, screw in #C (wood dowel pins).

2. Install the assembled Panel 3 into the pre-assembled assembly.

3. Finally, tighten the joints between the panels using #A (eccentric cam lock).

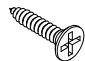
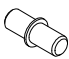
A  **X10**
C  **X8**

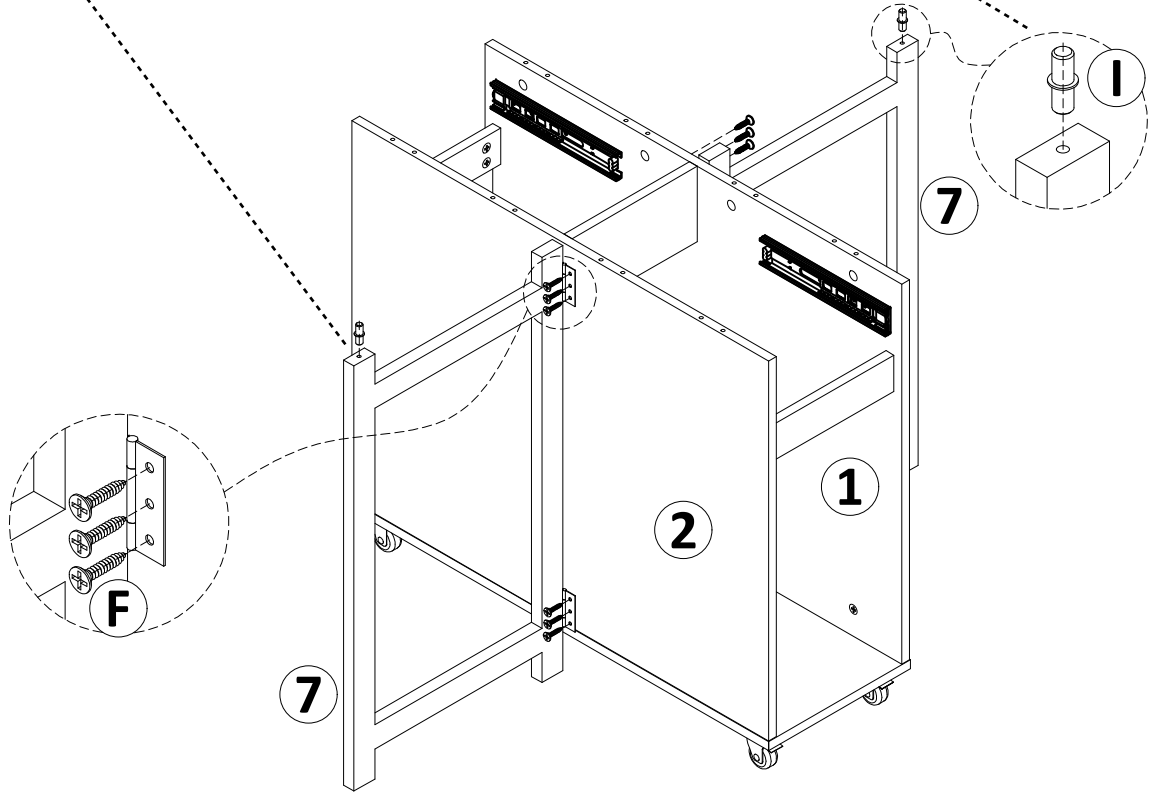


Step 8

Screw #I (accessories) into the top of Leg 7, then mount Leg 7 to the sides of Panels 1 and 2, tightening with screws #F (screw).

You need to hammer it in forcefully to complete the installation of #I (accessories).

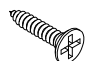
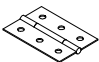
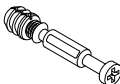
F  **X12**
I  **X2**

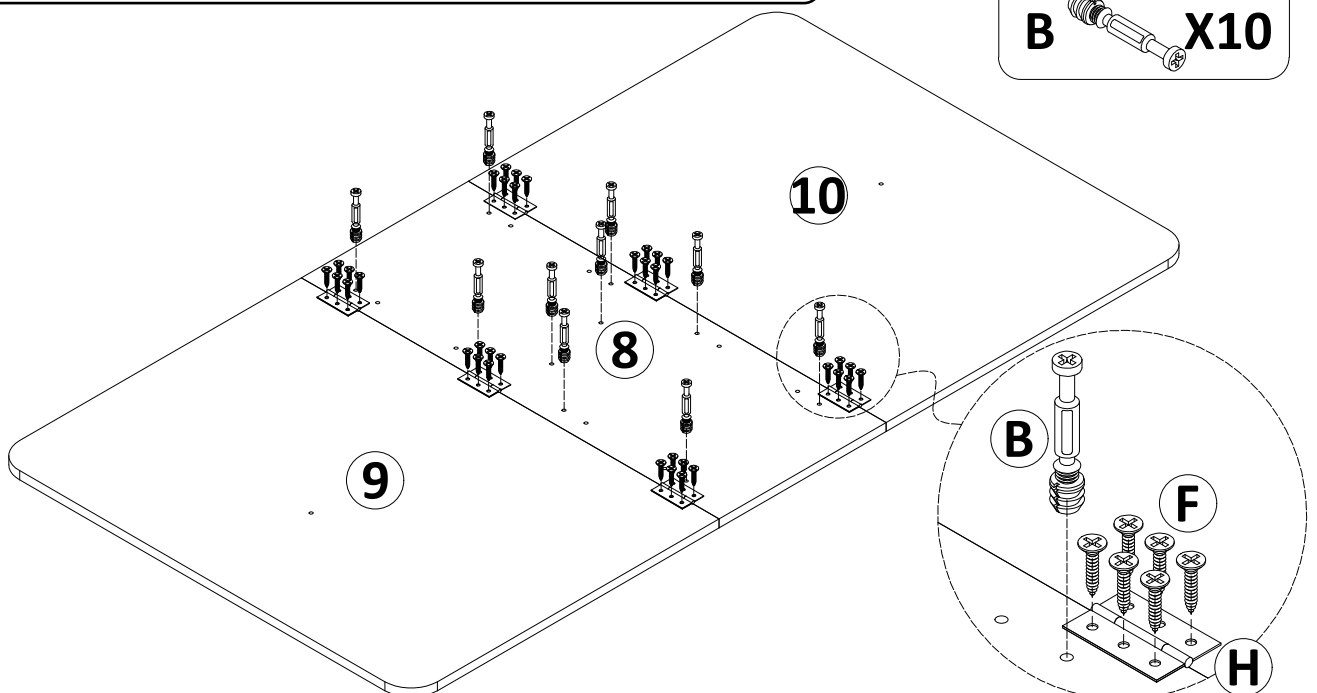


Step 9

1. Place Panels 9/8/10 in the order shown in the figure, then connect each panel with #H (butt hinge) and screw in #F (screw) to secure.

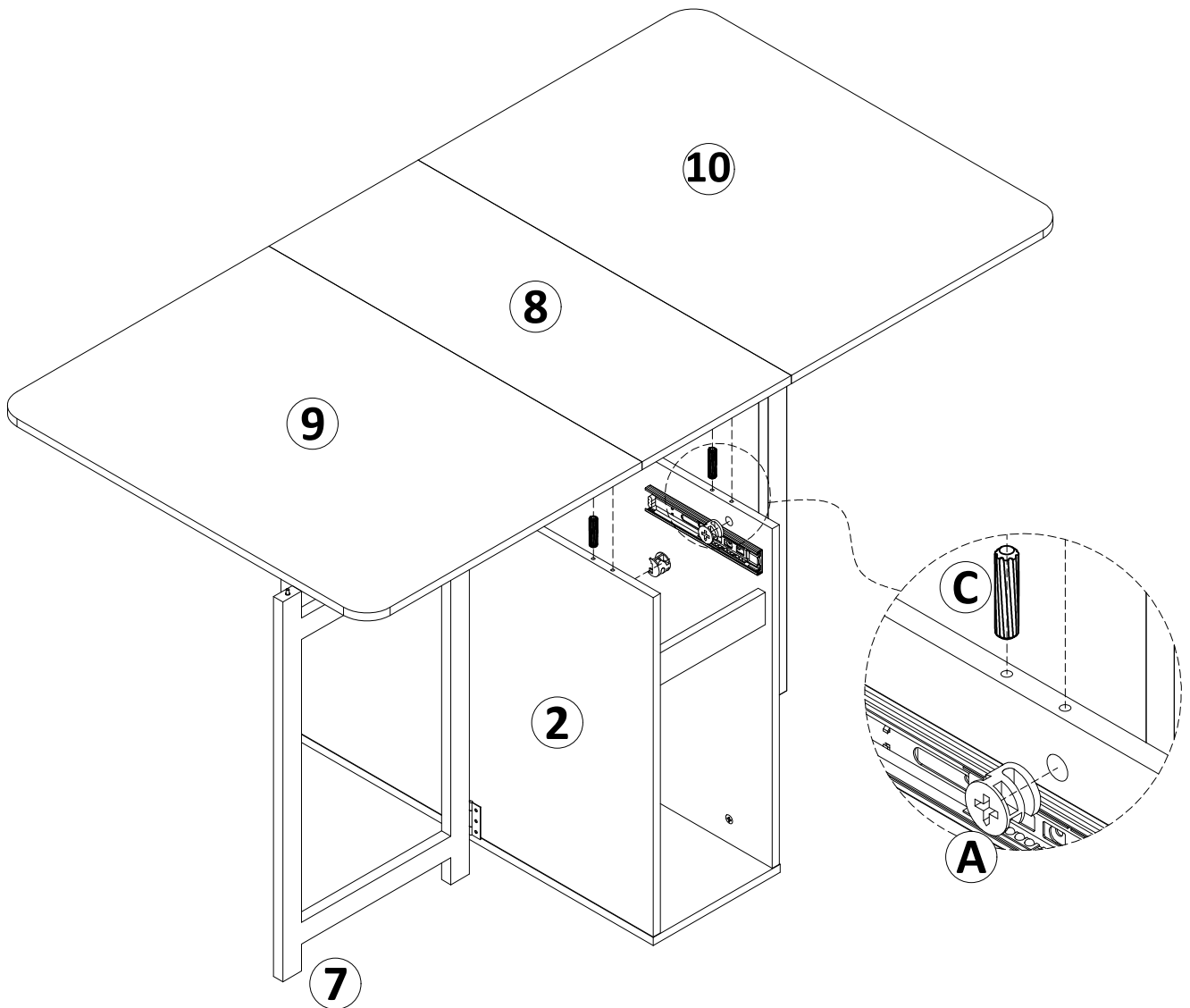
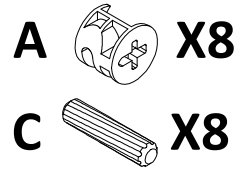
2. Install #B (connector bolt) on Panel 8.

F  **X36**
H  **X6**
B  **X10**



Step 10

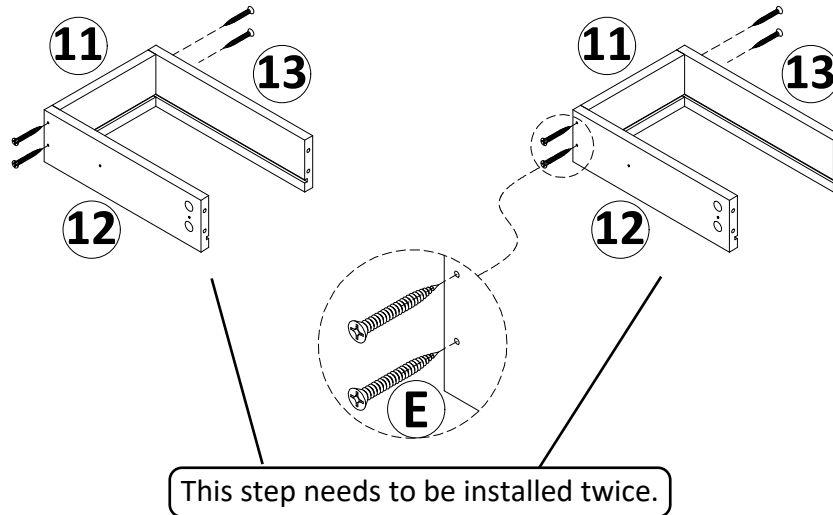
1. Screw #C (wood dowel pins) into the top of Panels 1 and 2, then install assembled Panels 8/9/10.
2. Finally, tighten the inside of the table with #A (eccentric cam lock).
3. This step is recommended to be performed by two people.



Step 11

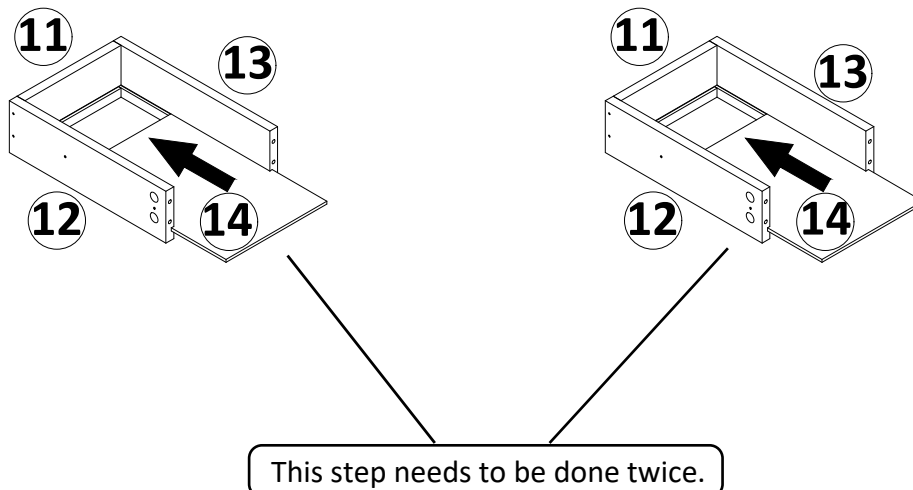
E  **X8**

Using #E (screws) secure Panel 12 and Panel 13 to both sides of Panel 11, ensuring the grooves are aligned in the same direction.




Step 12

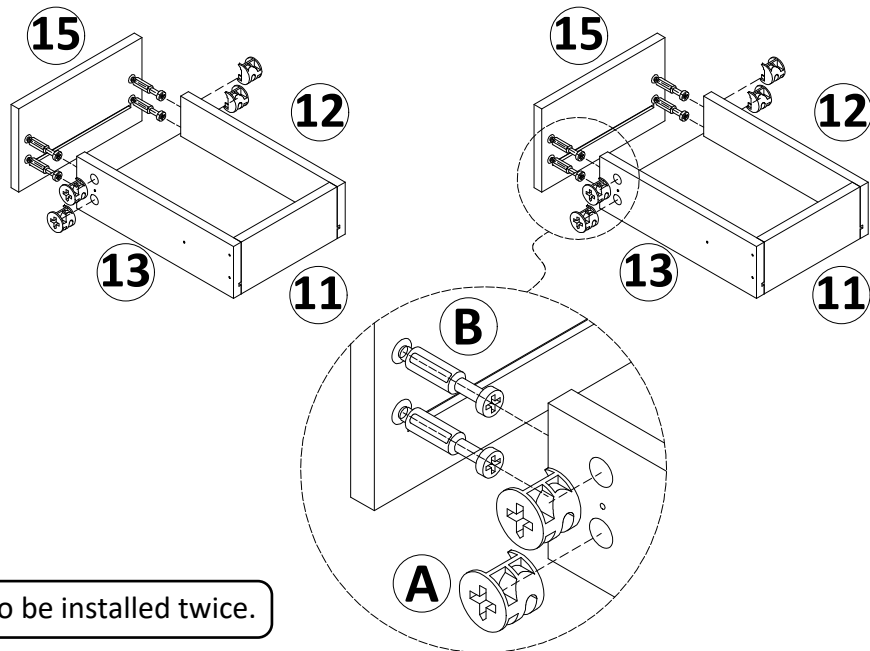
Insert the Panel 14 drawer base into the pre-assembled structure until it snaps into position.



Step 13

A  **X8**

Install two Panels 15 (drawer front) to the pre-drawer assembly and secure it by screwing #A (eccentric cam lock) into the side mounting holes.


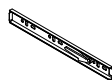
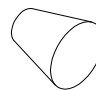
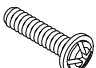


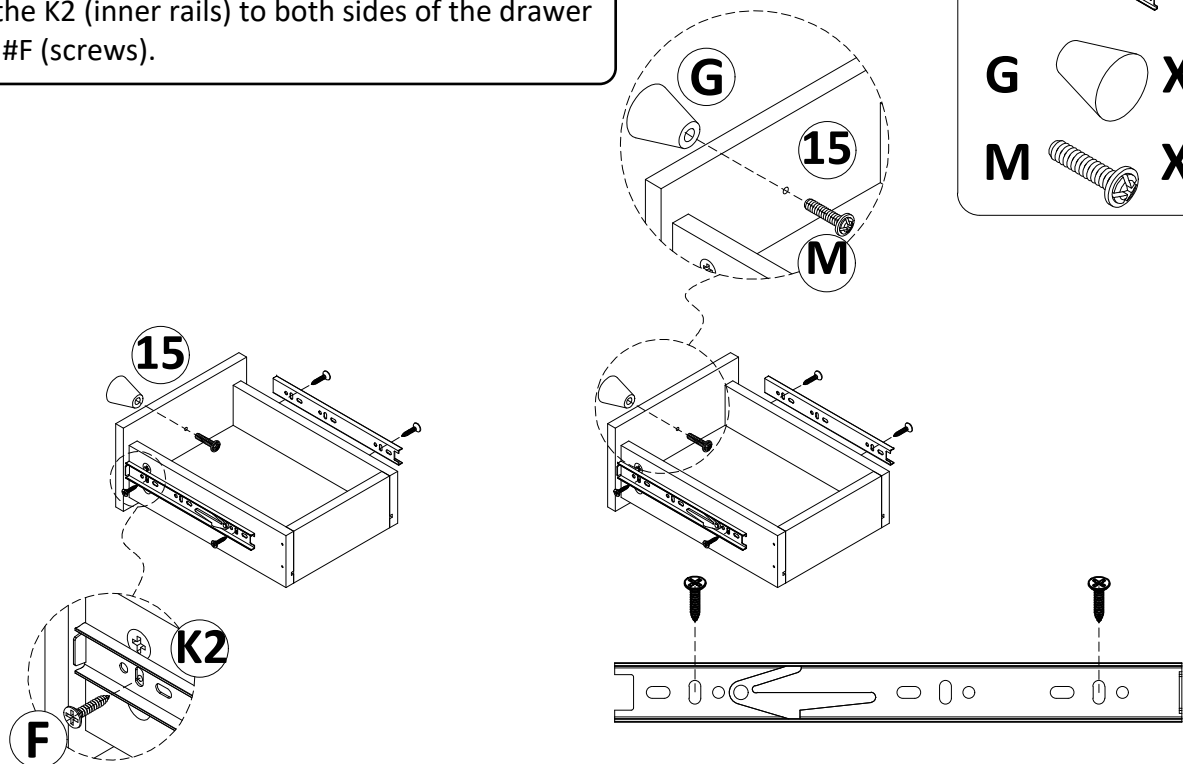
This step needs to be installed twice.

Step 14

1. Use the #M (screws) to install the #G (door handle) onto the Panel 15.

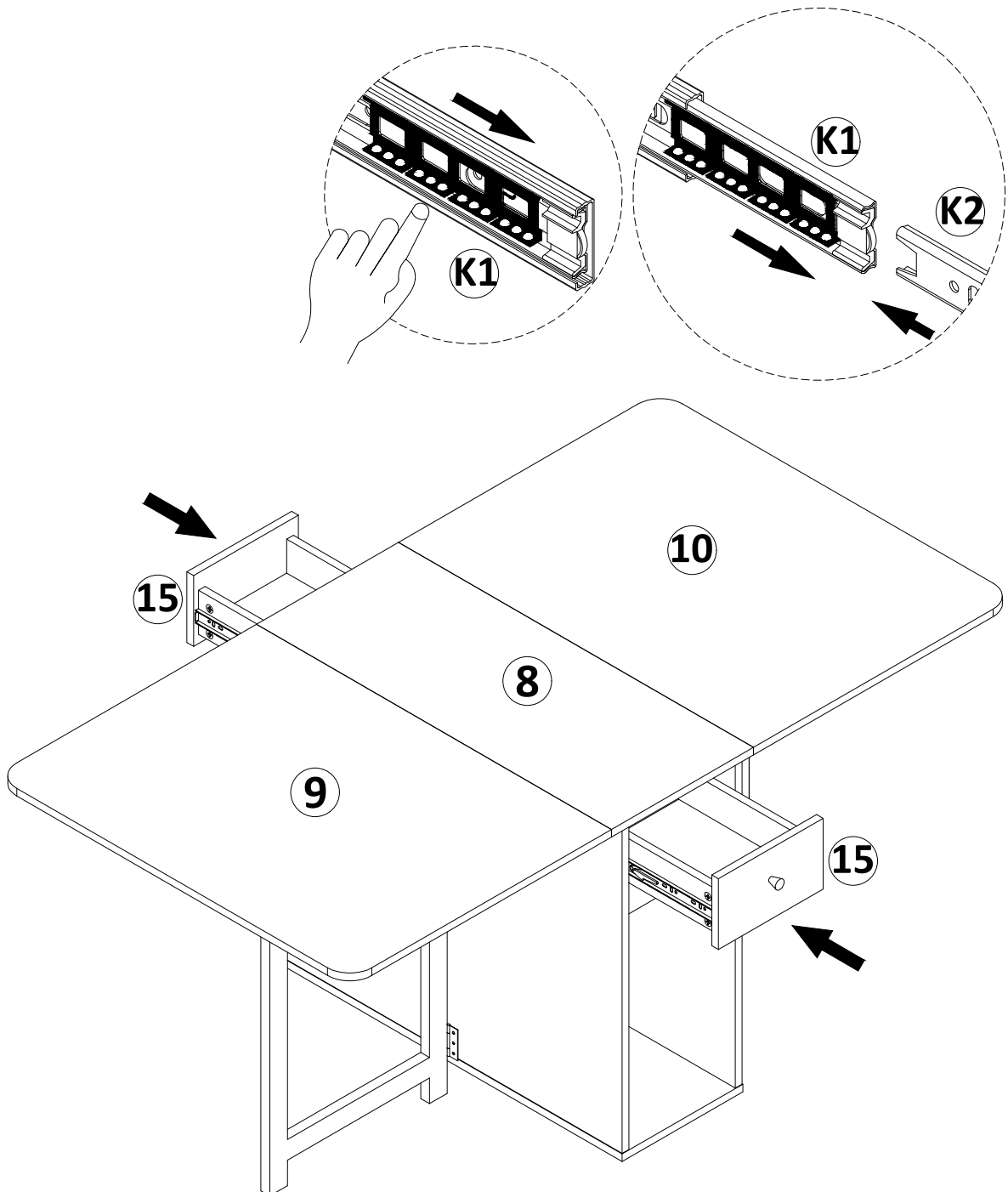
2. Attach the K2 (inner rails) to both sides of the drawer using the #F (screws).

F  **X8**
K2  **X4**
G  **X2**
M  **X2**



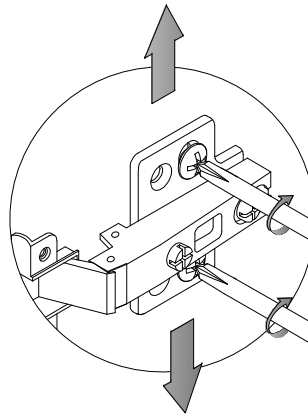
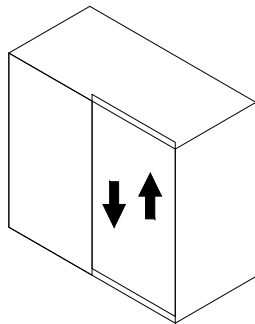
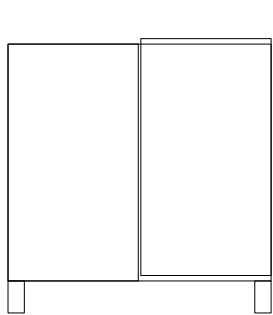
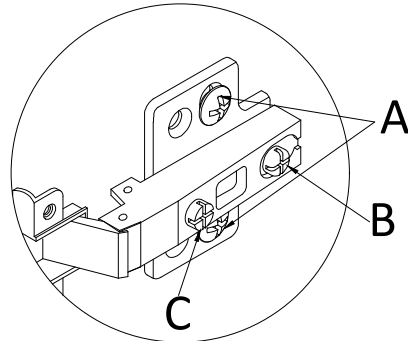
Step 15

Slide the drawer with the installed inner rails into the corresponding slots in the cabinet until it clicks into place.



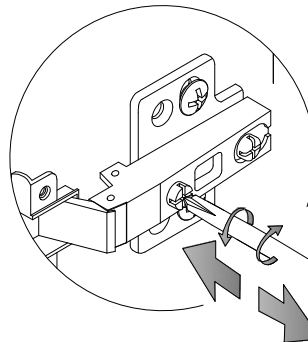
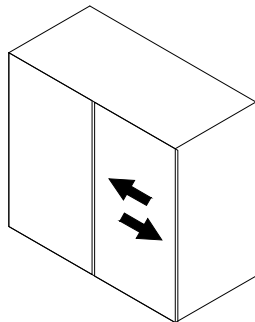
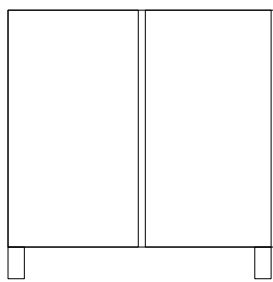
Step 16

Hinge Adjustment Diagram



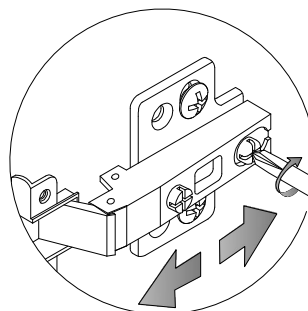
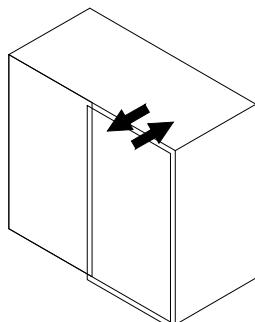
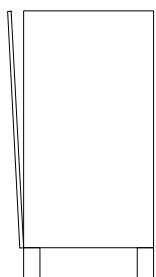
To adjust the vertical height.

Loosen the four screws labeled 'A' on both hinges. Two of these screws are usually in slotted holes, allowing for adjustment up or down by a few mm. After making the adjustment, tighten the screws back into place.



To adjust depth.

Loosen screw 'B' and adjust the door. If the door cannot be adjusted, loosen screw 'C' and try adjusting again. Once adjusted, tighten screws 'B' and 'C'.

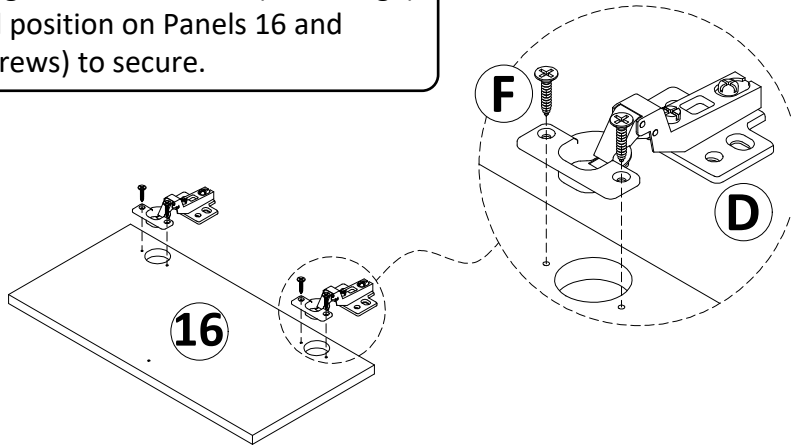


To adjust side ways.

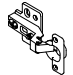
After loosening the C screw, you can adjust the distance from the door to the cabinet. After the adjustment is completed, tighten the C screw again.

Step 17

As shown in the figure, install the #D (door hinge) to the designated position on Panels 16 and tighten the #F (screws) to secure.



F  **X4**


D  **X2**

Step 18

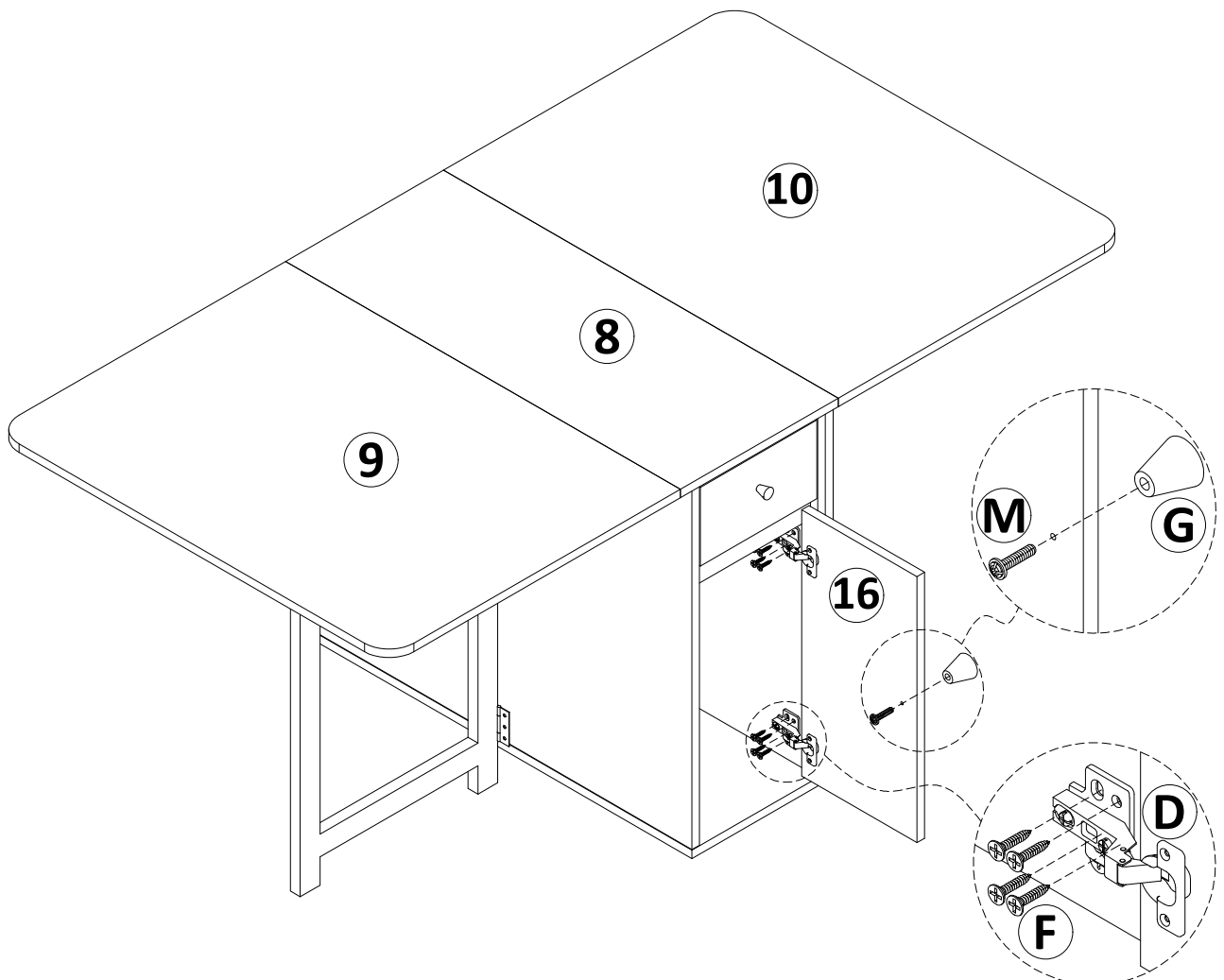
1. As shown, attach Panels 16 to the cabinet using #D (door hinges) and tighten with #F (screws).

2. Use the #M (screws) to install the #G (door handle) onto the Panel 16.

F  **X4**

G  **X1**

M  **X1**



Assembly Completed

