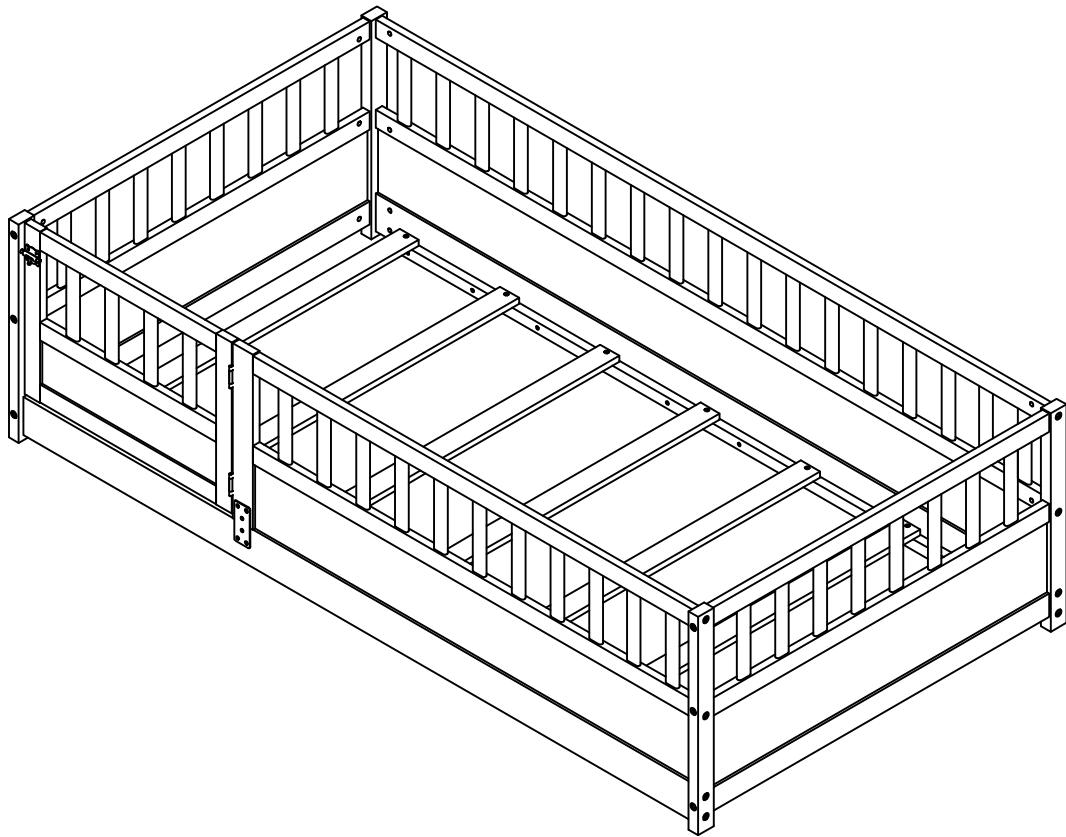
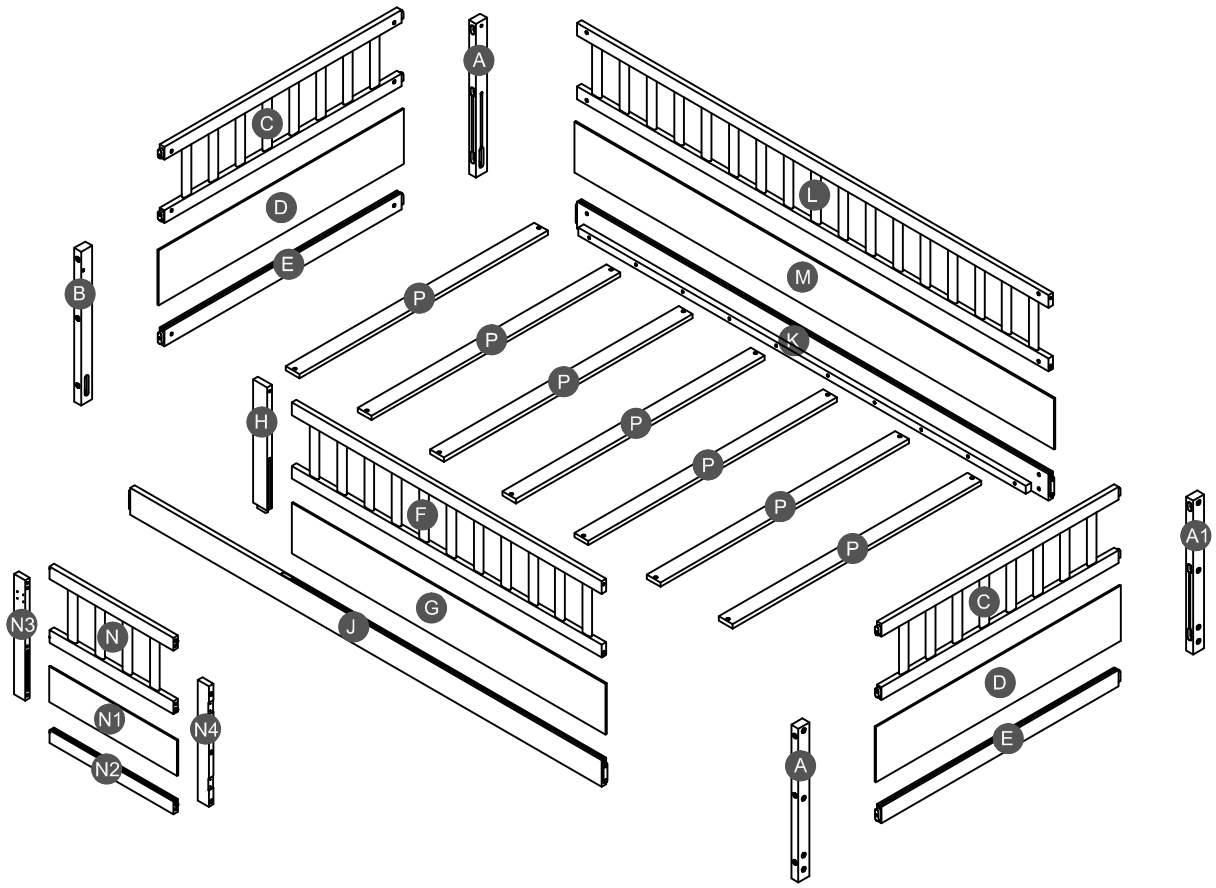


# ASSEMBLY INSTRUCTIONS



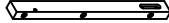
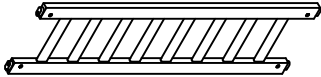

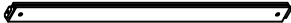
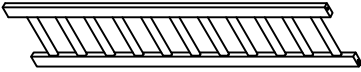

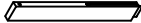

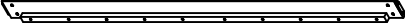
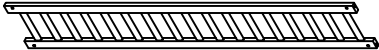
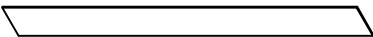
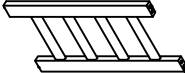


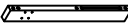
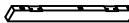

## TWIN FLOOR BED WITH SLAT




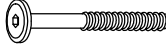
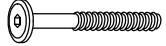


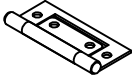

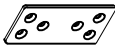
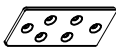

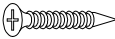
# Detail View



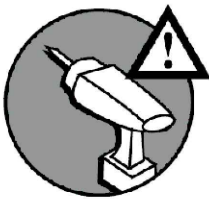
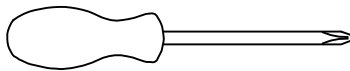
# Part List

<p><b>A</b></p>  <p>Leg (Left Back/Right Front) - 2pcs</p>	<p><b>A1</b></p>  <p>Leg (Right Back) - 1pc</p>	<p><b>B</b></p>  <p>Leg (Left Front) - 1pc</p>
<p><b>C</b></p>  <p>Frame HB/FB - 2pcs</p>	<p><b>D</b></p>  <p>Side Panel HB/FB - 2pcs</p>	<p><b>E</b></p>  <p>Lower horizontal bar HB/FB - 2pcs</p>
<p><b>F</b></p>  <p>Guard rail (Front) - 1pc</p>	<p><b>G</b></p>  <p>Side Panel (Front) - 1pc</p>	<p><b>H</b></p>  <p>Vertical bar (Front) - 1pc</p>
<p><b>J</b></p>  <p>Side rail (Front) - 1pc</p>	<p><b>K</b></p>  <p>Side rail (Back) - 1pc</p>	<p><b>L</b></p>  <p>Guard rail (Back) - 1pc</p>
<p><b>M</b></p>  <p>Side Panel (Back) - 1pc</p>	<p><b>N</b></p>  <p>Frame door - 1pc</p>	<p><b>N1</b></p>  <p>Panel door - 1pc</p>
<p><b>N2</b></p>  <p>Lower horizontal bar door - 1pc</p>	<p><b>N3</b></p>  <p>Vertical bar door (Left) - 1pc</p>	<p><b>N4</b></p>  <p>Vertical bar door (Right) - 1pc</p>
<p><b>P</b></p>  <p>Slat - 7pcs</p>		

## Hardware List

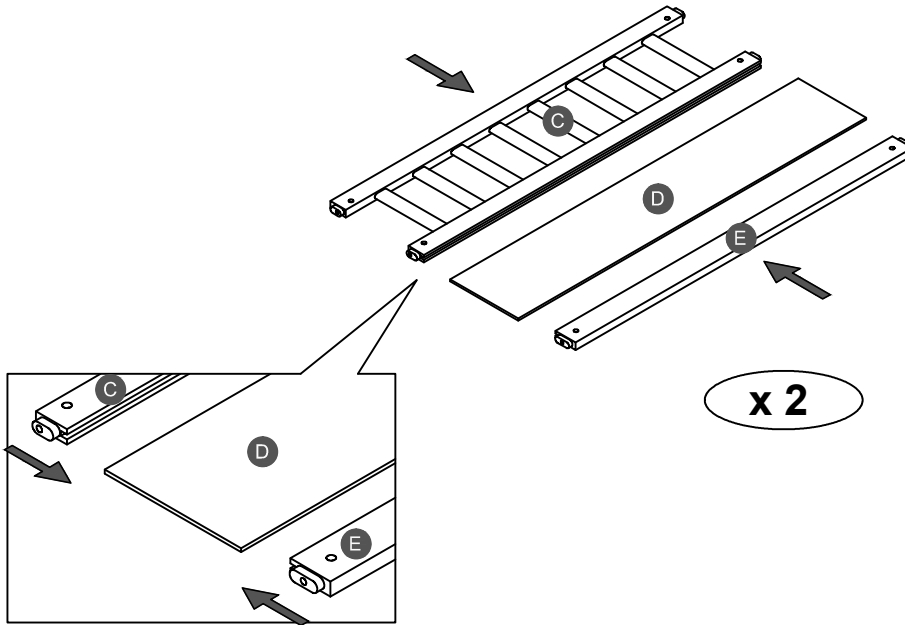
<b>1</b>  (Ø15)1/4"*100mm Hex-Head bolts (2pcs)	<b>2</b>  (Ø15)1/4"*80mm Hex-Head bolts (26pcs)	<b>3</b>  (Ø12)1/4"*70mm Hex-Head bolts (6pcs)
<b>4</b>  1/4"*15 (9.5mm) Horizontal-Hole bolts(34pcs)	<b>5</b>  (1/4")4.5*58mm Allen key (1pc)	<b>6</b>  55*27.5*7mm(180°) Hinges (2pcs)
<b>7</b>  60*38*10mm Lock (1pc)	<b>8</b>  100*44*1.5mm Metal bracket (1pc)	<b>9</b>  100*44*1.5mm Metal bracket (1pc)
<b>10</b>  Ø3.5*15mm Wood screws (24pcs)	<b>11</b>  Ø4*30mm Wood screws (14pcs)	

### ASSEMBLY TOOLS REQUIRED ( NOT INCLUDED )





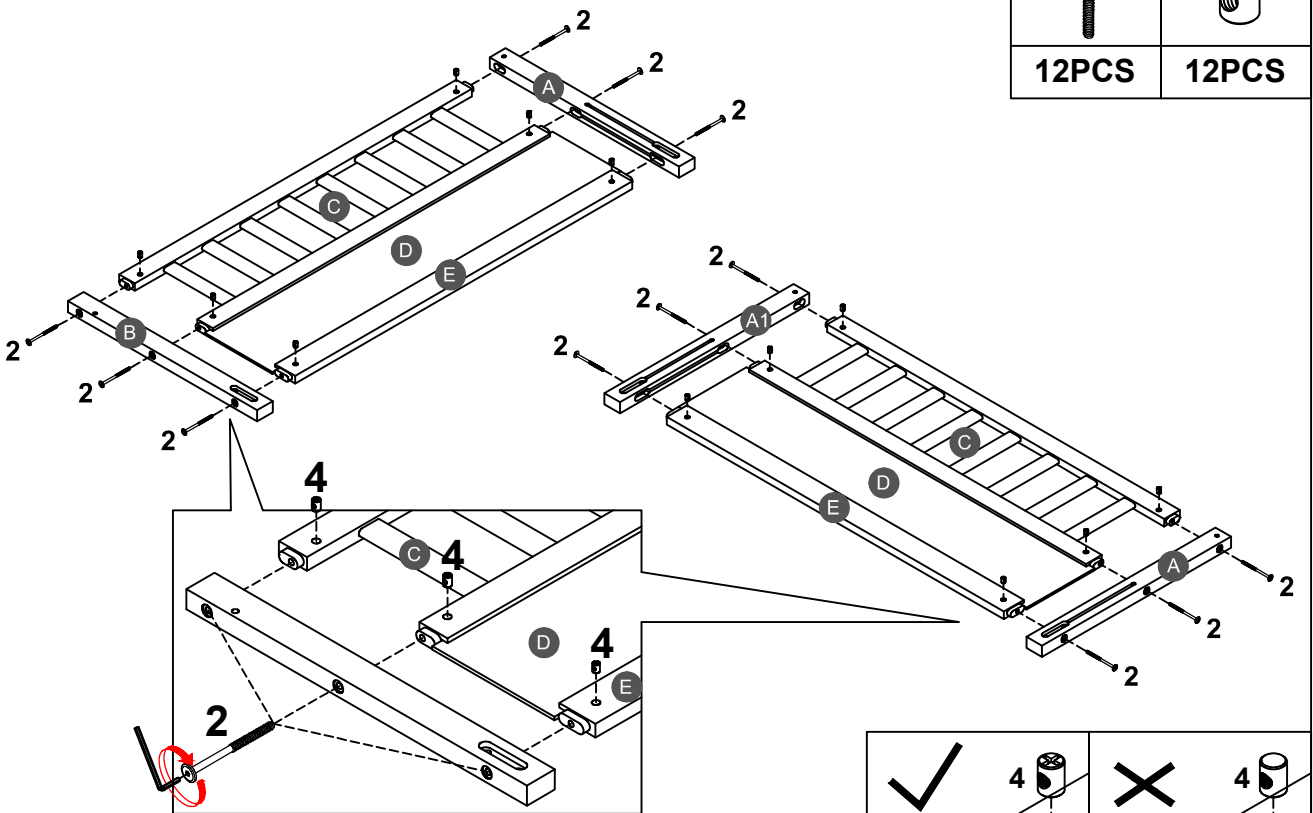
PLEASE BE CAREFUL DO NOT DAMAGE THE HOLE  
POSITION WHEN YOU USE POWER TOOLS !

**STEP 1:**



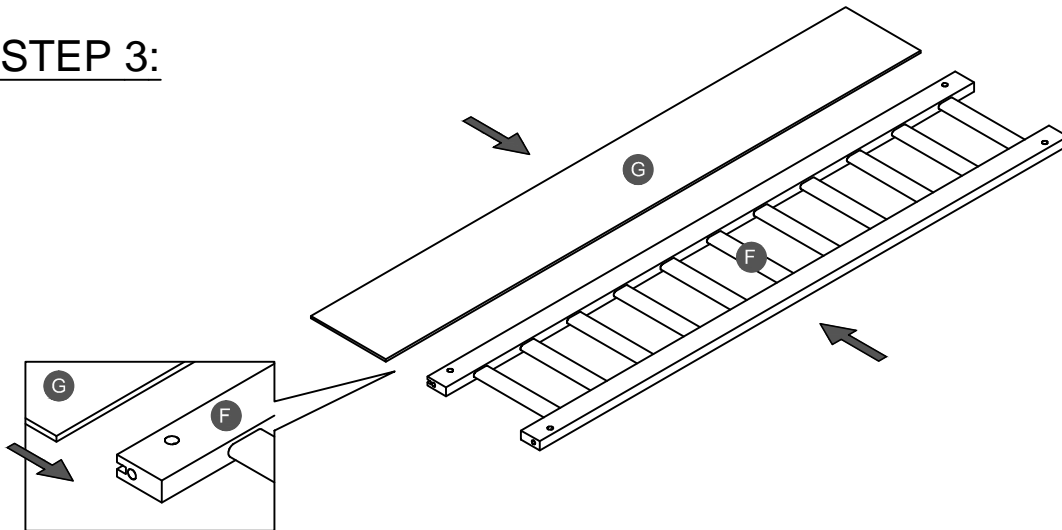
**STEP 2:**

<b>2</b>		<b>4</b>	
<b>12PCS</b>		<b>12PCS</b>	

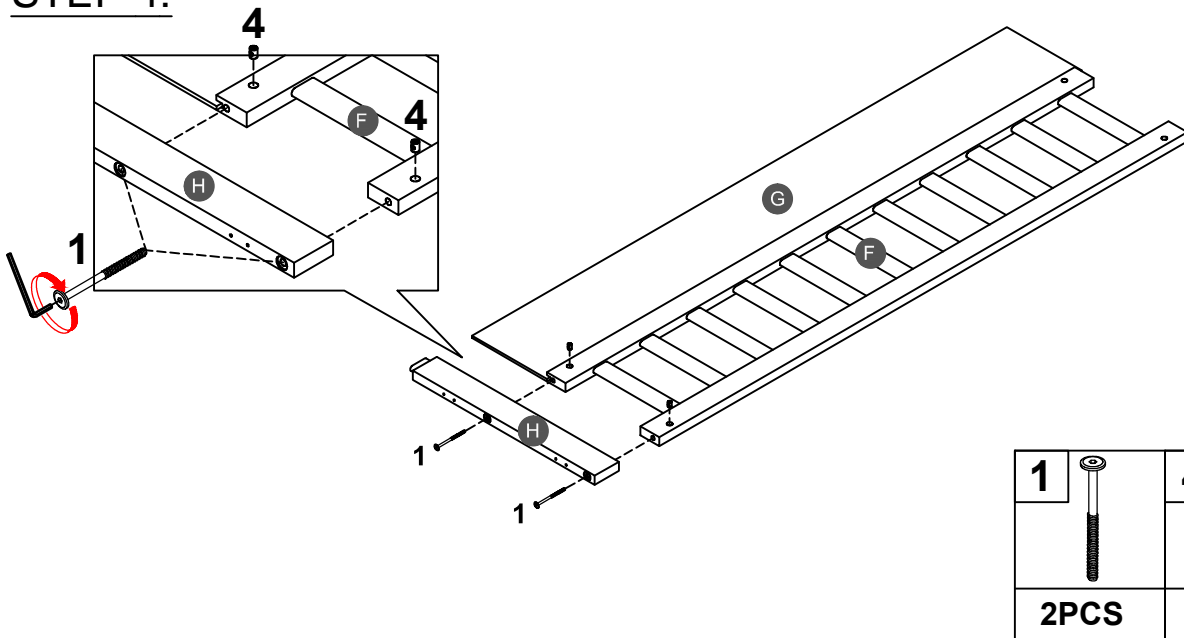


Note: Part 4 will face up with the "x" mark on it, otherwise it cannot be tightened

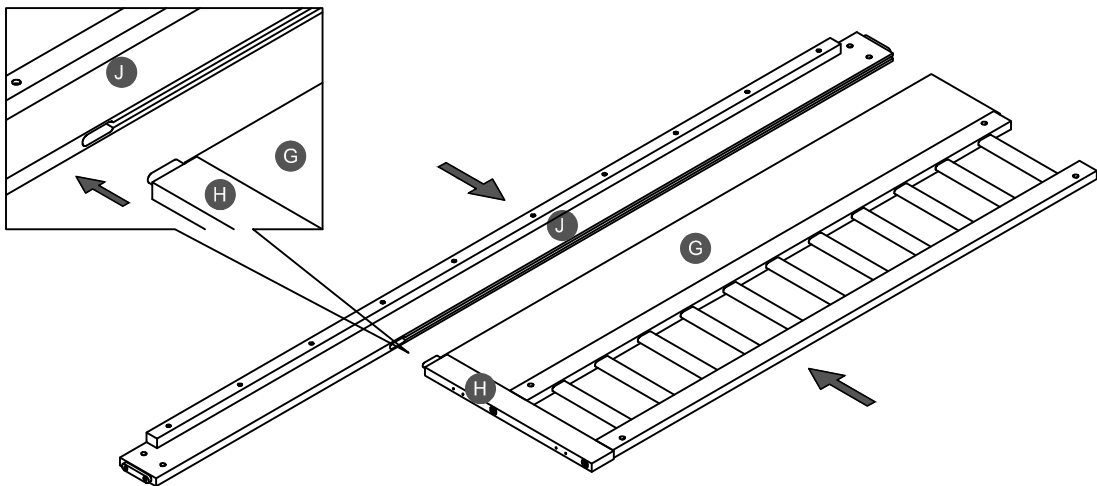
**STEP 3:**



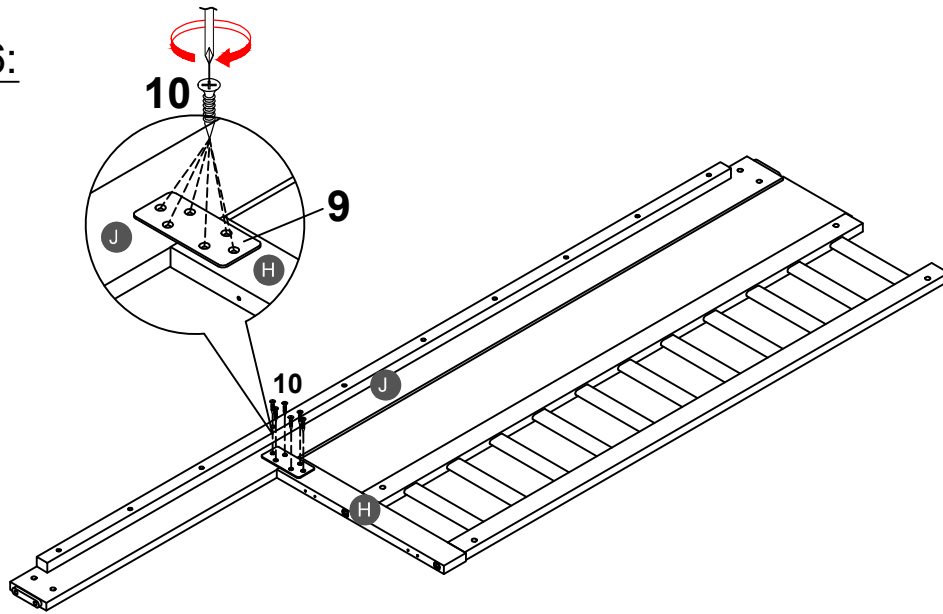
**STEP 4:**



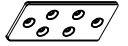
**STEP 5:**



**STEP 6:**



**9**



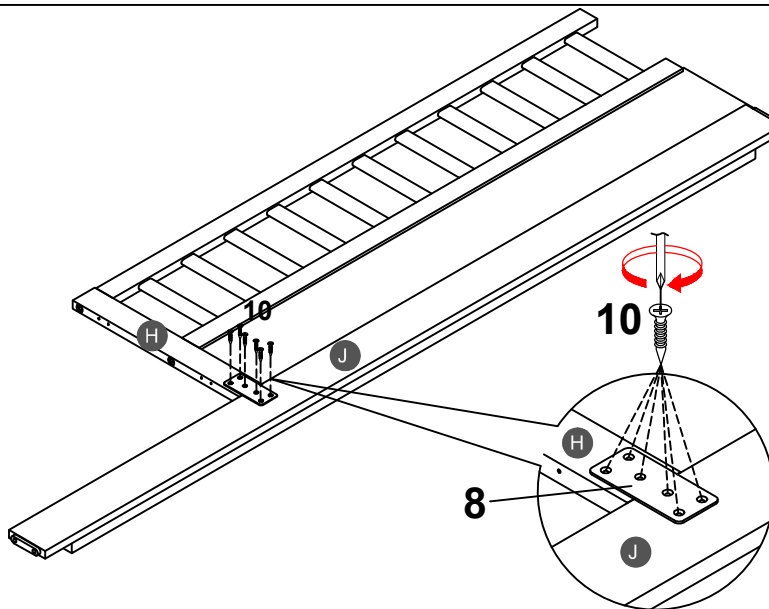
**1PC**

**10**

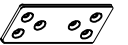


**6PCS**

**STEP 7:**



**8**



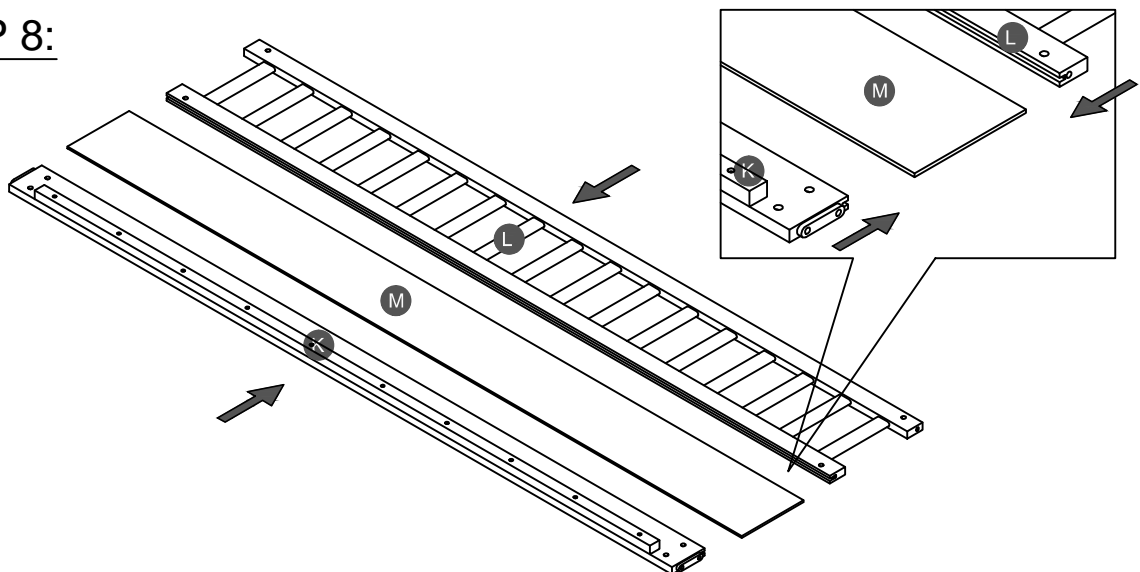
**1PC**

**10**





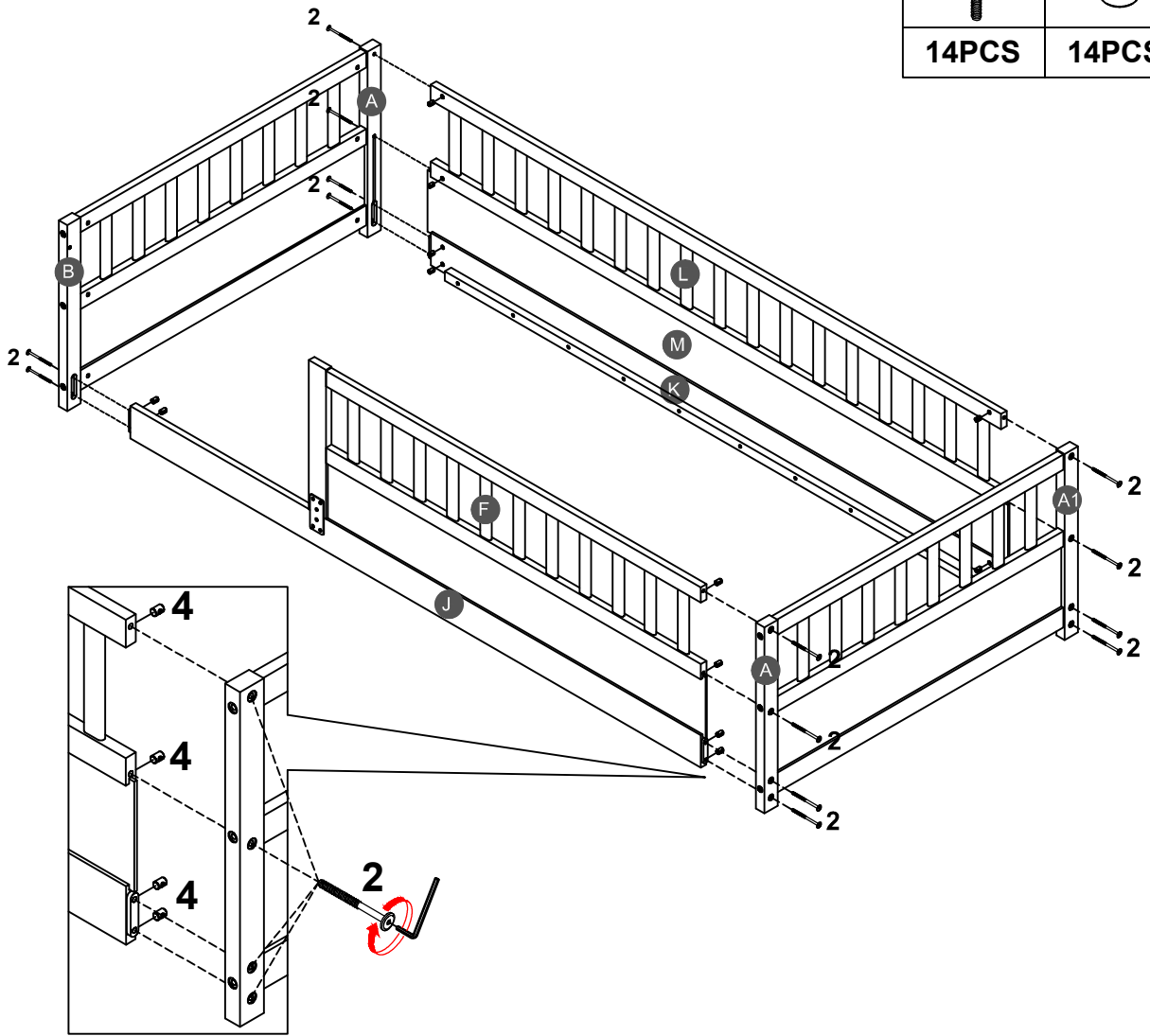
**6PCS**

**STEP 8:**

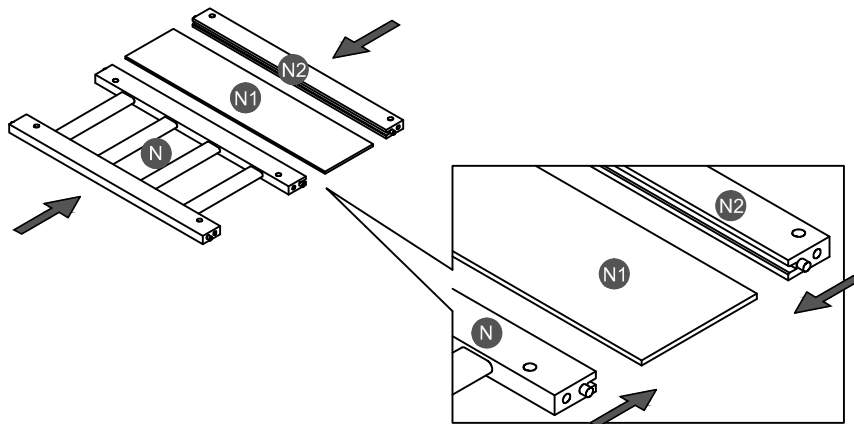


**STEP 9:**

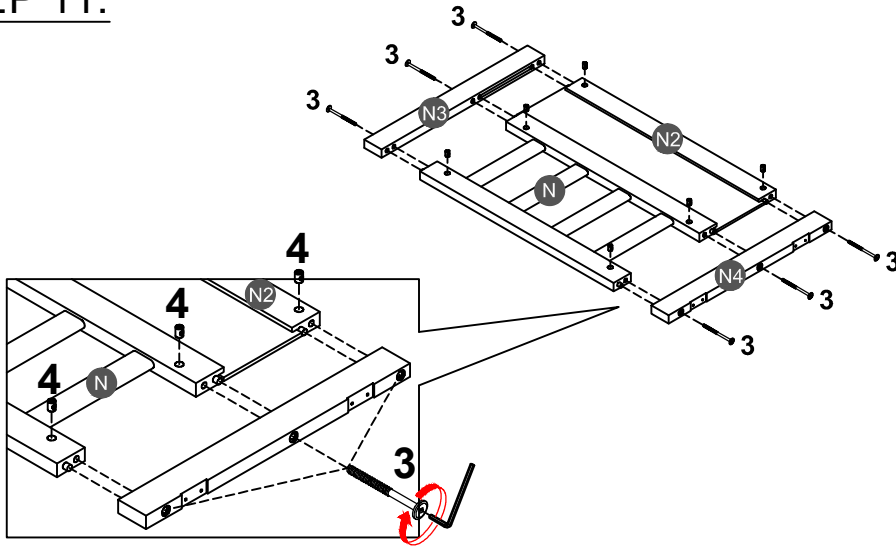
<b>2</b>		<b>4</b>	
<b>14PCS</b>		<b>14PCS</b>	





**STEP 10:**

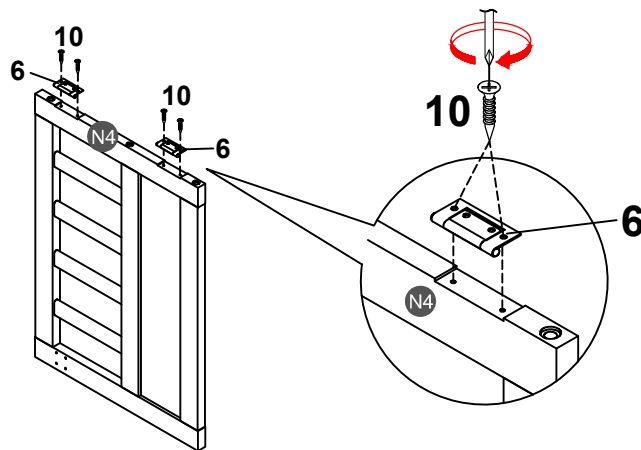


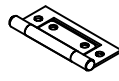

**STEP 11:**



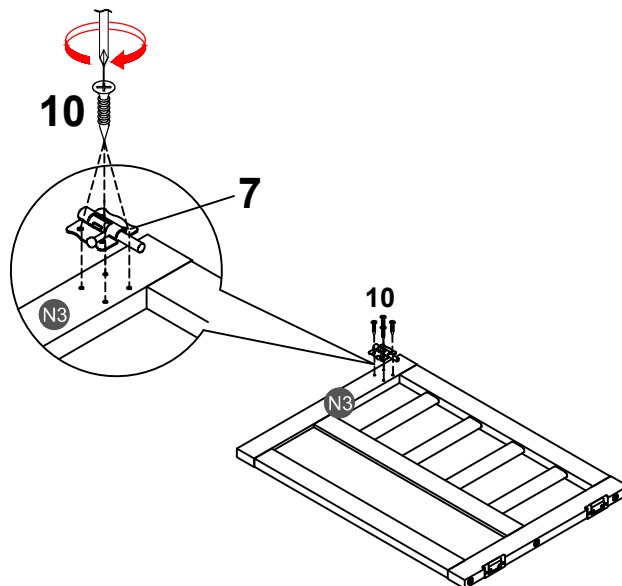
<b>3</b>		<b>4</b>	
<b>6PCS</b>		<b>6PCS</b>	



**STEP 12:**



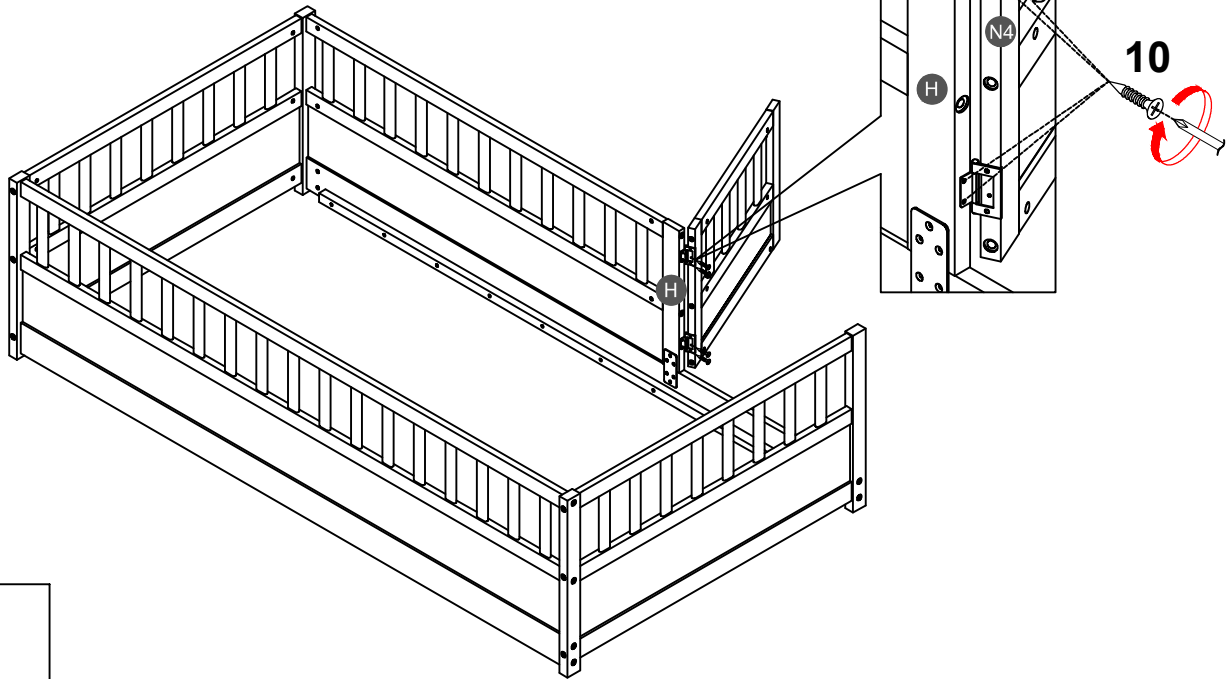
<b>6</b>		<b>10</b>	
<b>2PCS</b>		<b>4PCS</b>	

**STEP 13:**



<b>7</b>		<b>10</b>	
<b>1PC</b>		<b>4PCS</b>	

**STEP 14:**

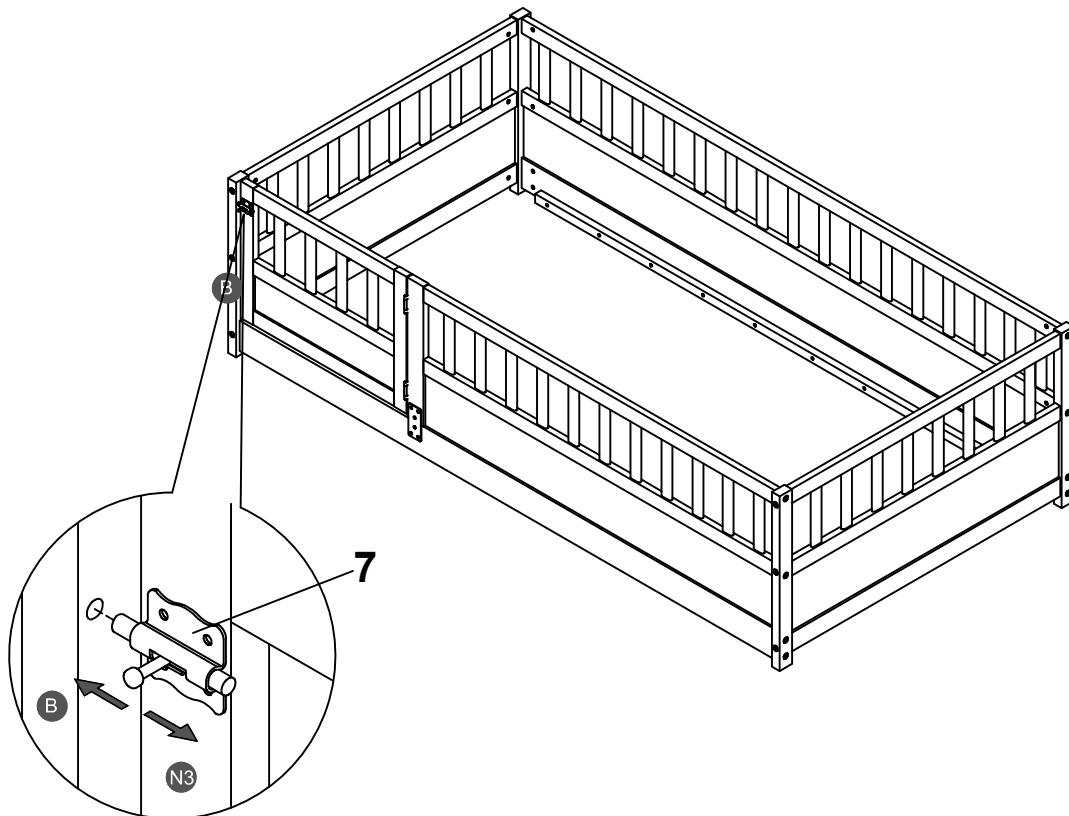


**10**



**4PCS**

**STEP 15:**

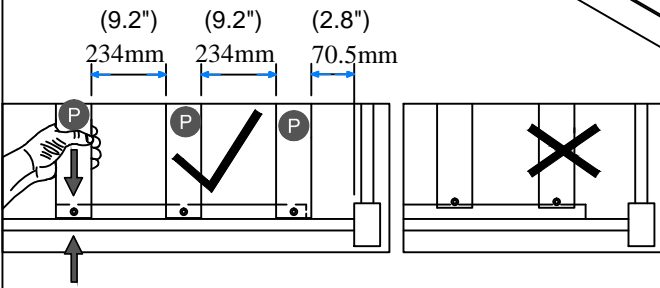
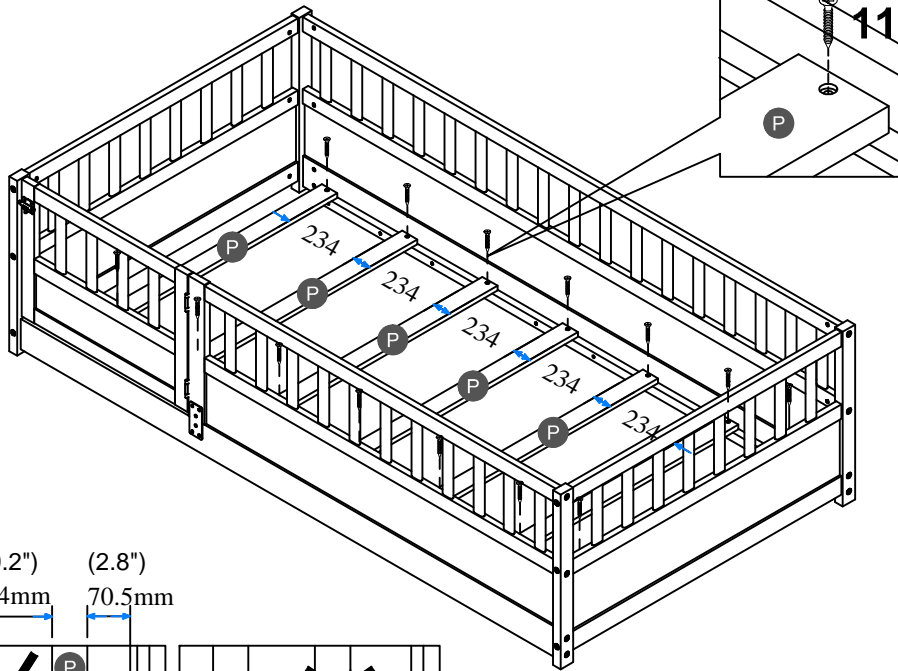


**STEP 16:**

11



14PCS



**NOTE:** Please make sure the bed slats close to the side rail before locking the screws to avoid breakage. This step is required for both the left and right sides. Moreover, please do not lock the screws of the bed slats at the outermost edge to avoid damaging.

