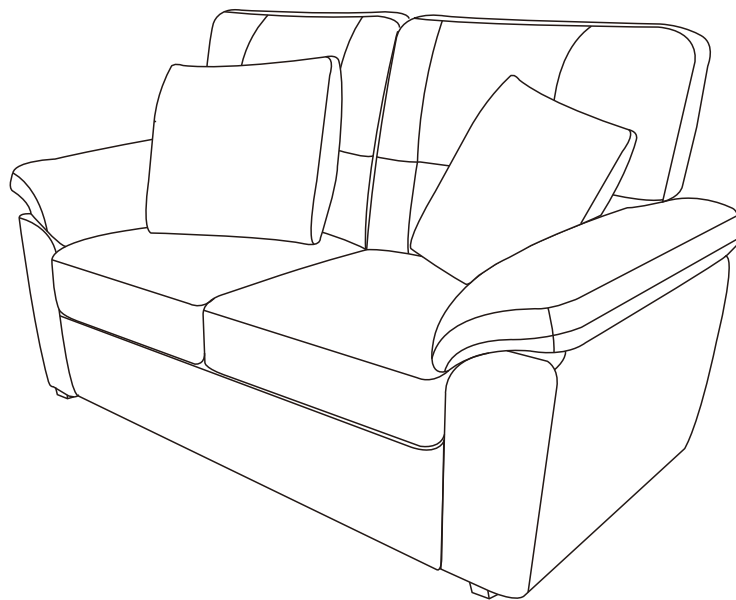


ASSEMBLY INSTRUCTIONS



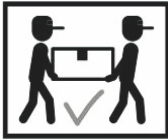
ASSEMBLY INSTRUCTIONS

ASSEMBLY TIPS:

1. Remove hardware from box and sort by size.
2. Please check to see that all hardware and parts are present prior to start of assembly.
3. Please follow attached instructions in the same sequence as numbered to assure fast & easy assembly.




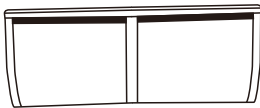
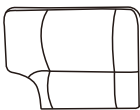
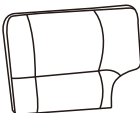




WARNING!

1. Don't attempt to repair or modify parts that are broken or defective. Please contact the store immediately.
2. This product is for home use only and not intended for commercial establishments.



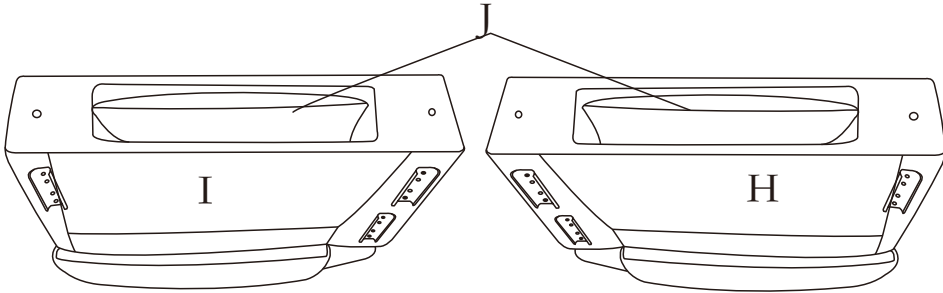
ASSEMBLY TIME 12 MINUTES

Loveseat **is packed in 2 cases**

CARTON	PARTS IDENTIFICATION	QUANTITY
LOVESEAT	A  SEAT BACK BOTTON RAIL	1PC
	B  SEAT FRONT BOTTON RAIL	1PC
	E  SEAT BASE	1PC
	F  BACK FRAM	1PC
ARM	C  LAFT BACK CUSHION	1PC
	D  RIGHT BACK CUSHION	1PC
	G  LEGS	4PCS
	H  LEFT ARM	1PC
	I  RIGHT ARM	1PC
	J  PILLOWS	2PCS

ASSEMBLY INSTRUCTIONS

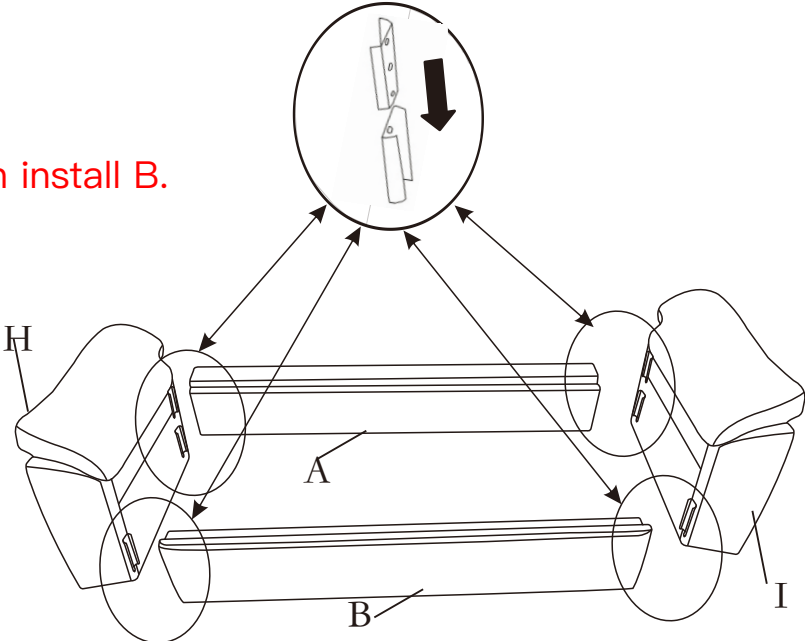
STEP 1



PILLOWS TAKE OUT FROM ARM INSIDE

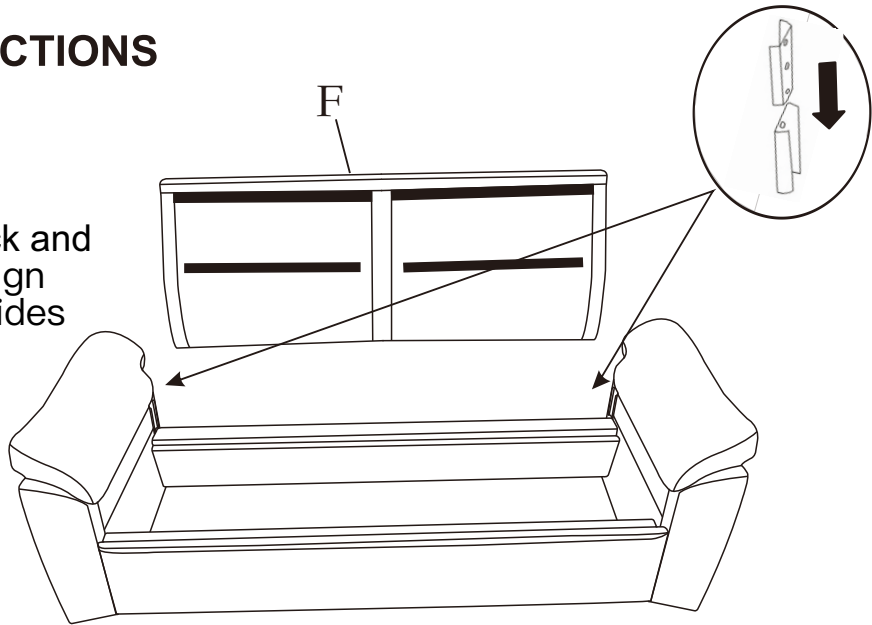
STEP 2

Install A first then install B.



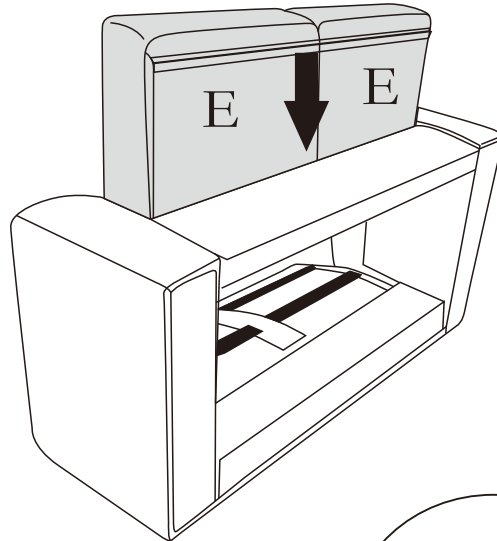
ASSEMBLY INSTRUCTIONS

When assemble the back and arm together, please align and connect the both sides clips first, and then press the sofa back down in place.

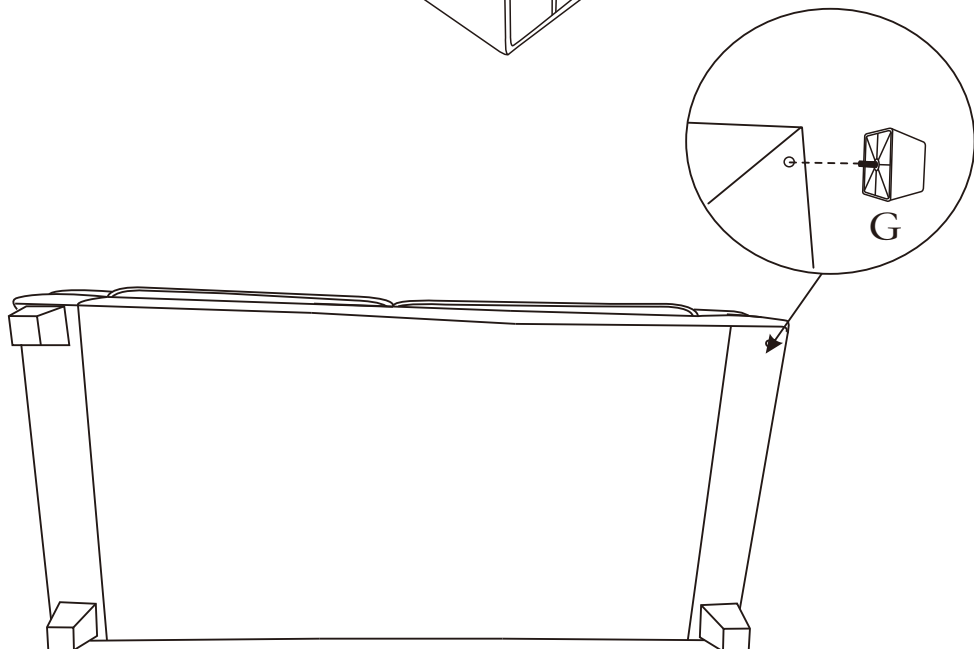


STEP 4

Please be make sure the front edge of seat cushion fits for the front rail properly and securely.

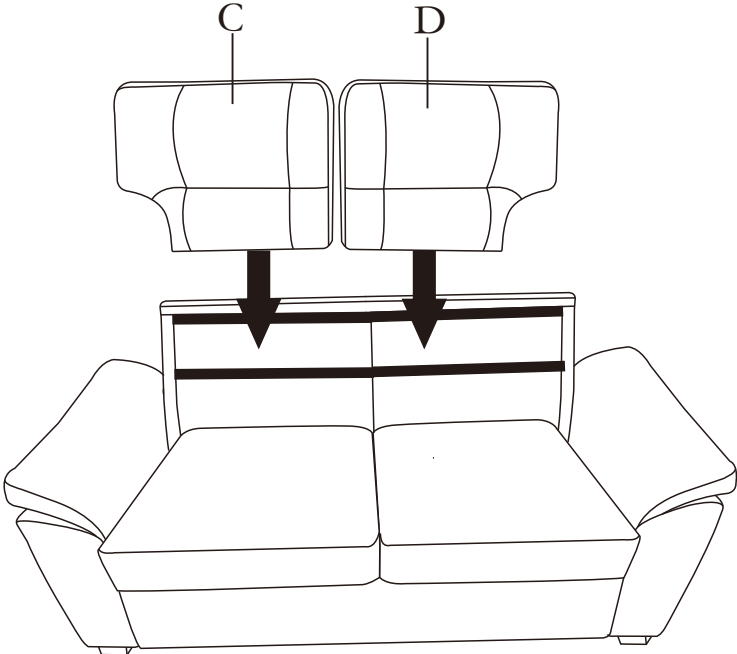


STEP 5



ASSEMBLY INSTRUCTIONS

STEP 6



STEP 7

