
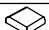
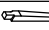








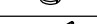



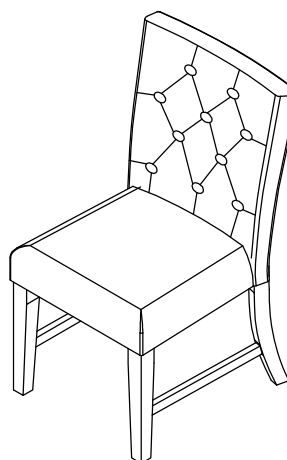
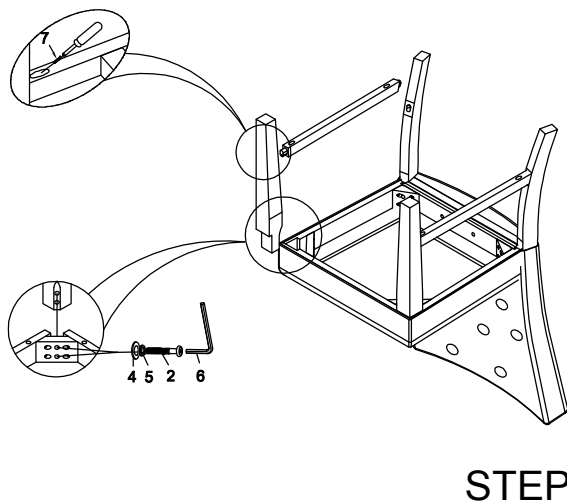
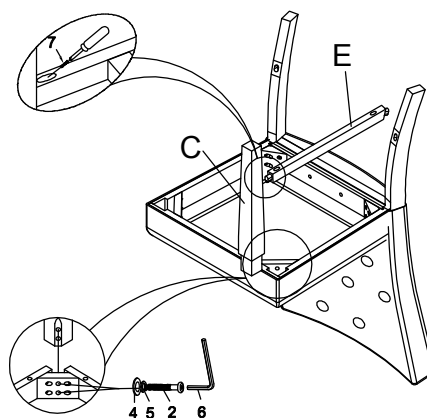
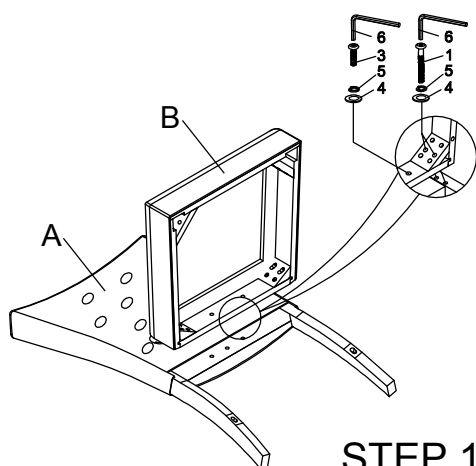
ASSEMBLY INSTRUCTIONS

DINING CHAIR UPH

Thank you for purchasing this quality product. Be sure to check all packing material care fully for small parts, which may have come loose inside the carton during shipment. Identify and count all parts and compare with the HARDWARE LIST below.

NO.	DESCRIPTION	SKETCH	QTY
A	Chair Back		1PC
B	Seat Frame		1PC
C	Left Front Leg		1PC
D	Right Front Leg		1PC
E	Left Side Stretcher		1PC
F	Right Side Stretcher		1PC

NO.	HARDWARE LIST	QTY
1	 Bolt (Ø1/4"x75mm)	4Pcs
2	 Bolt (Ø1/4"x60mm)	4Pcs
3	 Bolt (Ø1/4"x40mm)	2Pcs
4	 Flat Washer (Ø1/4"x19x2mm)	10Pcs
5	 Spring Washer (Ø1/4"x11x2mm)	10Pcs
6	 Allen Wrench 4mm	1PC
7	 Wood Screw (Ø4x40mm)	4Pcs



Note: Please DO NOT fully tighten all screws and bolts until the entire item is completely assembled