



IMPORTANT INFORMATION

READ CAREFULLY.

KEEP THIS INFORMATION FOR FURTHER REFERENCE.

GENERAL GUIDELINES

- Please read the following instruction carefully and use the product accordingly.
- Please keep this manual and hand it over when you transfer the product.
- This summary may not include every detail of all variations and considered steps. Please **contact us** when further information and help are needed.

NOTES

- Please follow the assembly instructions precisely and only use the product as intended.
- If an odor is present when first opening the package, please leave the unwrapped product in a shaded and ventilated area for a few days to air out.
- Prior to assembly, please check the product for defects or missing accessories. If any defects are found or accessories are missing, do not use product as damage or injury may occur; Please **contact us** for assistance and replacement.
- During assembly, please only slightly tighten all screws in their correct position first, then fully tighten them. A Philips screwdriver is recommended but not included.
- It is suggested you regularly check the products bolts and connections to ensure safe use.
- Assemble the item on a soft flat and clean surface to avoid scratches and damage.
- It is recommended that two people assemble this product.

WARNINGS

- During assembly, keep parts and packaging materials away from children and pets as there could cause injury and are a potential choking hazard.
- Avoid sharp objects or corrosive chemicals to prevent damage to the product.
- Please open the item slowly and cautiously to avoid pinching your hands by metal joints, especially children.

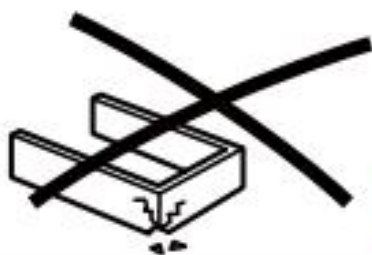
ANTI-TIP WARNING

- Serious or fatal crushing injuries can occur from furniture tip-over. To prevent this furniture from tipping over it must be permanently fixed to the wall.
- Since different wall materials require different types of fixing device, for advice on suitable fixing systems, contact your local specialized dealer.

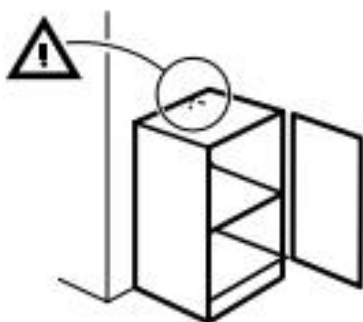
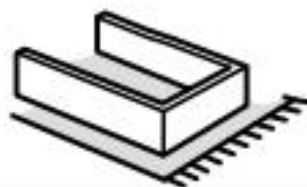
Tools Needed (not included)



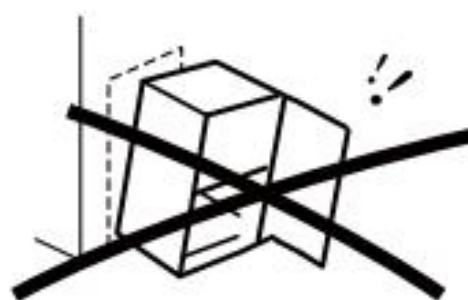
Prepare Tools
Instead of
Coming Empty
Handed



Handle Gently



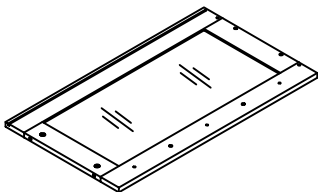
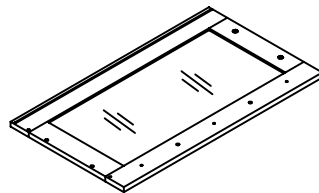
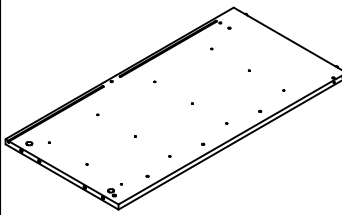
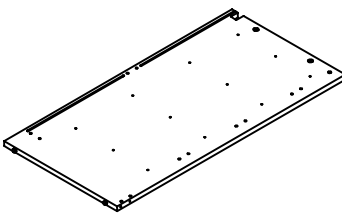
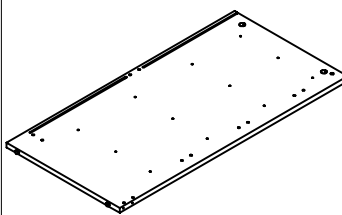
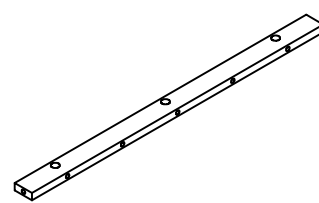
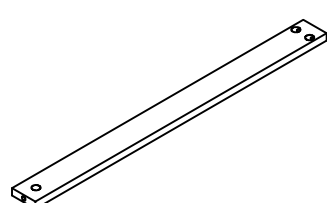
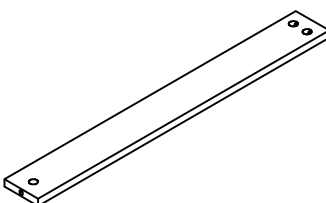
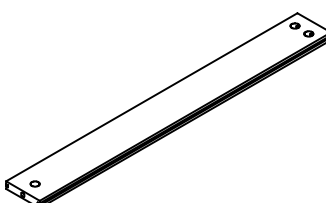
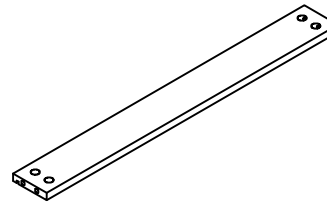
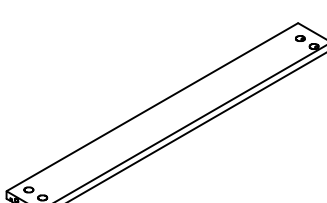
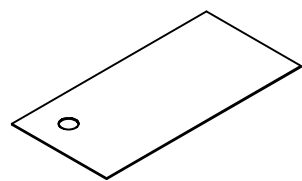
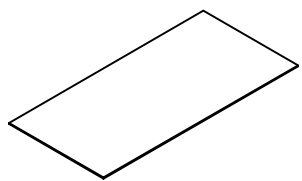
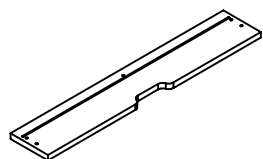
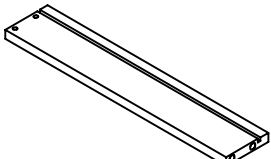
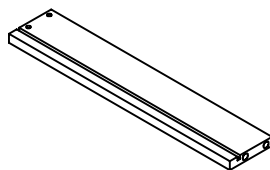
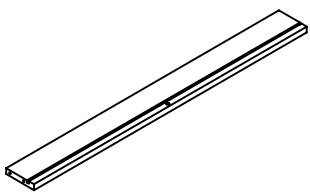
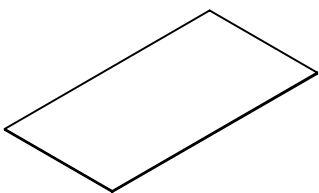
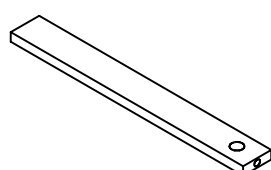
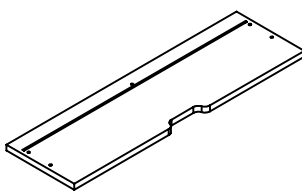
Gently Push
Against the
Wall and Do
Not Tip Over



Tips:

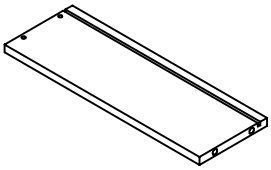
- If you have any further questions, please feel free to contact us via Amazon. We will reply ASAP.
- Before installation, please make sure you have all the hardware, the serial numbers are properly labeled corresponding to the list, and the quantity is correct.
- Enjoy your new purchase!



<p>①</p>  <p>②</p> 	<p>③</p> 	<p>④</p> 	
<p>⑤</p> 	<p>⑥</p>  <p>x2</p>	<p>⑦</p>  <p>x6</p>	<p>⑧</p>  <p>x2</p>
<p>⑨</p>  <p>x2</p>	<p>⑩</p> 	<p>⑪</p> 	<p>⑫</p>  <p>x2</p>
<p>⑬</p>  <p>x2</p>	<p>⑭</p>  <p>x2</p>	<p>⑮</p>  <p>x2</p>	<p>⑯</p>  <p>x2</p>
<p>⑰</p>  <p>x2</p>	<p>⑱</p>  <p>x8</p>	<p>⑲</p>  <p>x8</p>	<p>⑳</p>  <p>x6</p>

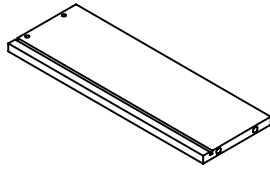


21



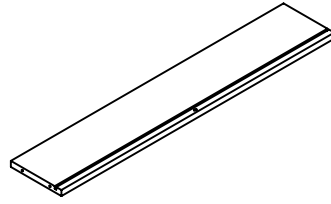
x6

22



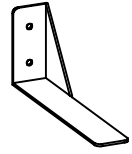
x6

23


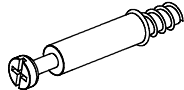
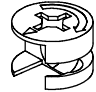



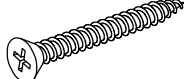


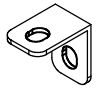
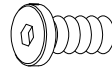
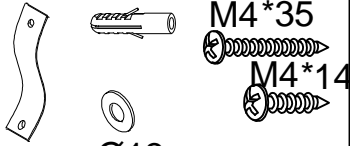
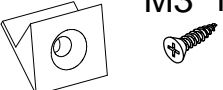
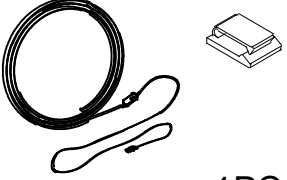



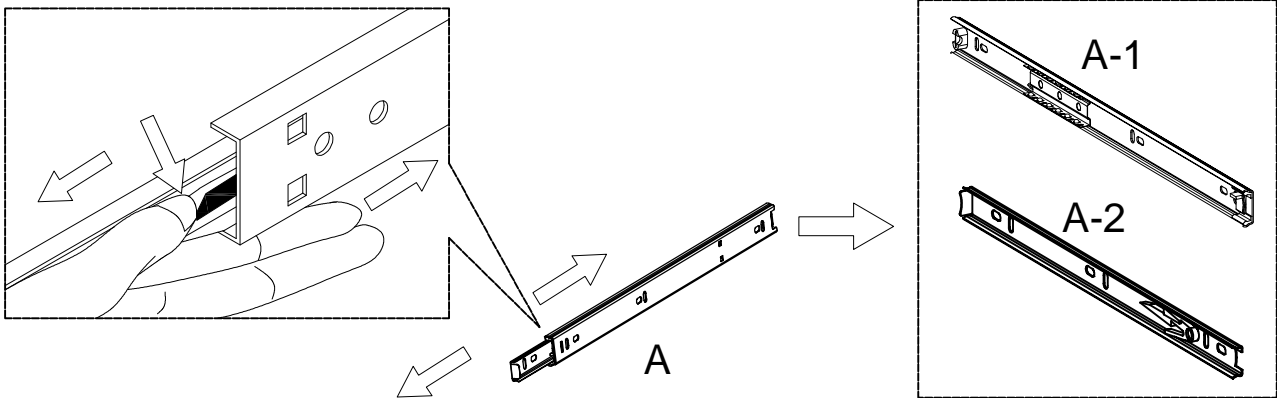
x6

24

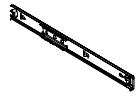
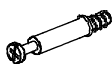
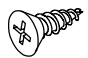



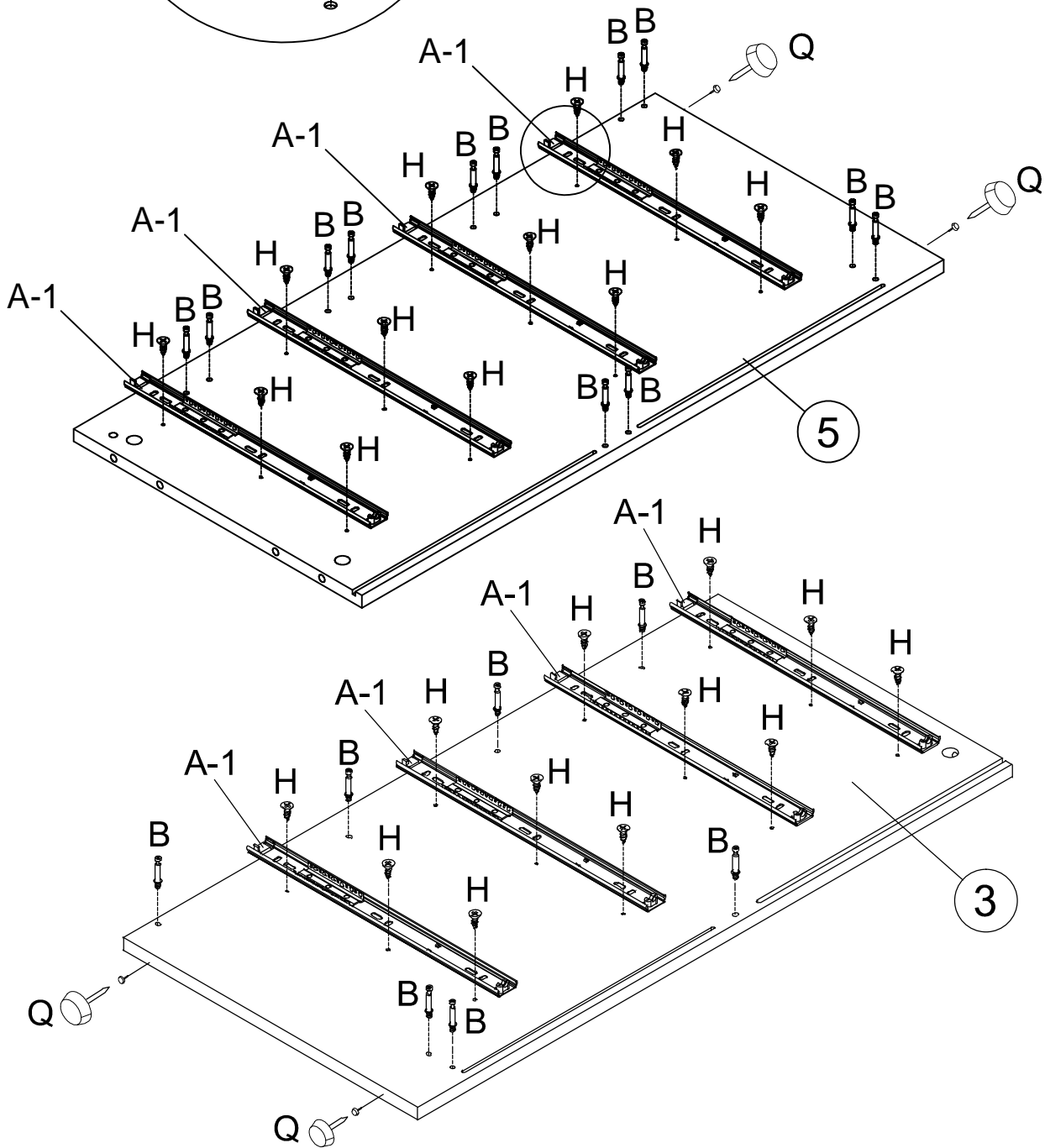
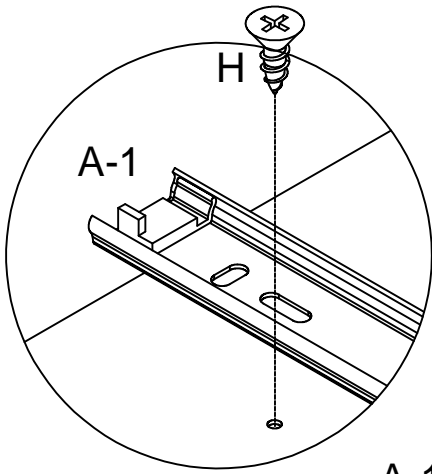
x3

<p>A 340mm</p>  <p>8PCS</p>	<p>B M6*35</p>  <p>88+3PCS</p>	<p>C Ø15*10</p>  <p>40+3PCS</p>	<p>D Ø15*12</p>  <p>48+3PCS</p>
<p>E Ø8*30</p>  <p>10+1PC</p>	<p>F Ø8*50</p>  <p>3+1PC</p>	<p>G M4*35</p>  <p>46+3PCS</p>	<p>H M3.5*12</p>  <p>96+3PCS</p>
<p>J M4</p>  <p>1PC</p>	<p>K 30*30*20*1</p>  <p>4PCS</p>	<p>L M6*12</p>  <p>8+1PC</p>	<p>M</p>  <p>M4*35 M4*14 Ø13 2PCS</p>
<p>N</p>  <p>M3*14 16+1PC</p>	<p>P 1200mm</p>  <p>1PC</p>	<p>Q Ø15*4</p>  <p>6PCS+1PC</p>	

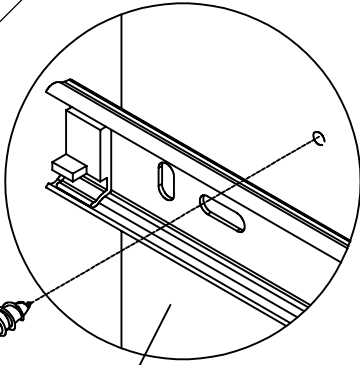


1

A-1	B	M6*35	H	M3.5*12	Q
					
8PCS	19PCS		24PCS		4PCS

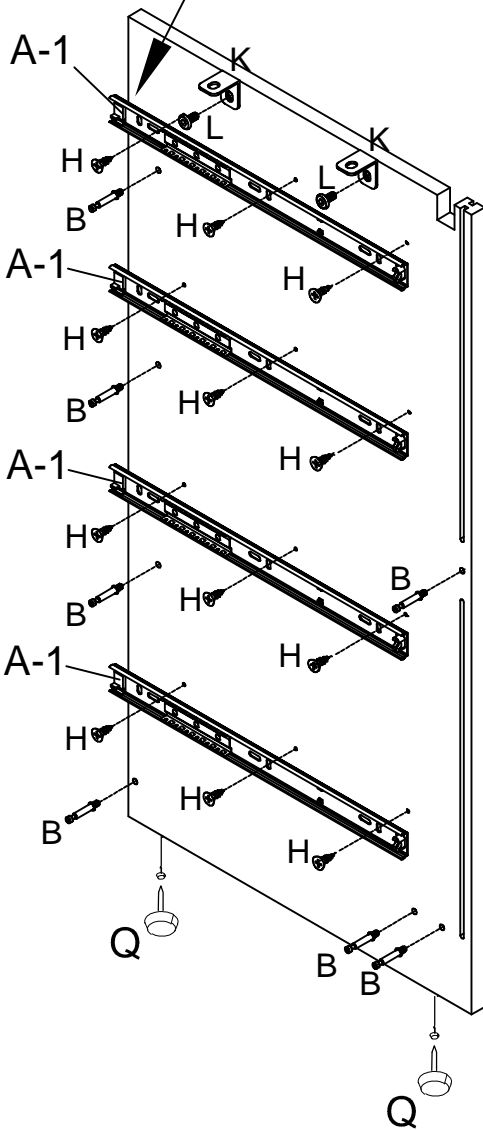


2



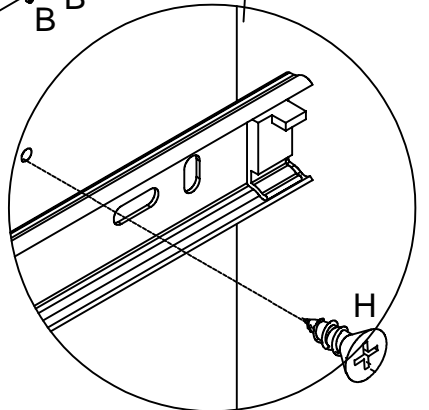
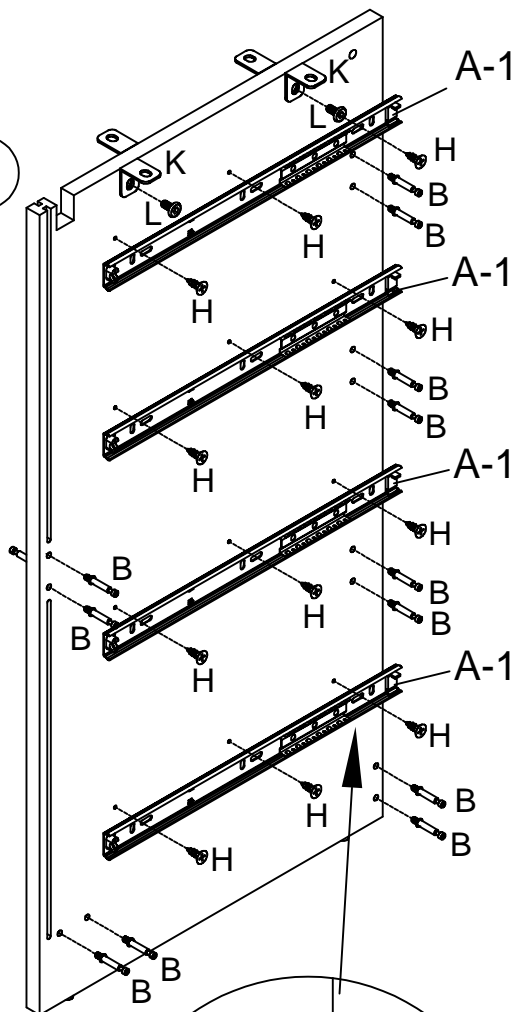
A-1	B M6*35	H M3.5*12	K	L M6*12	Q
8PCS	19PCS	24PCS	4PCS	4PCS	2PCS

J 1PC





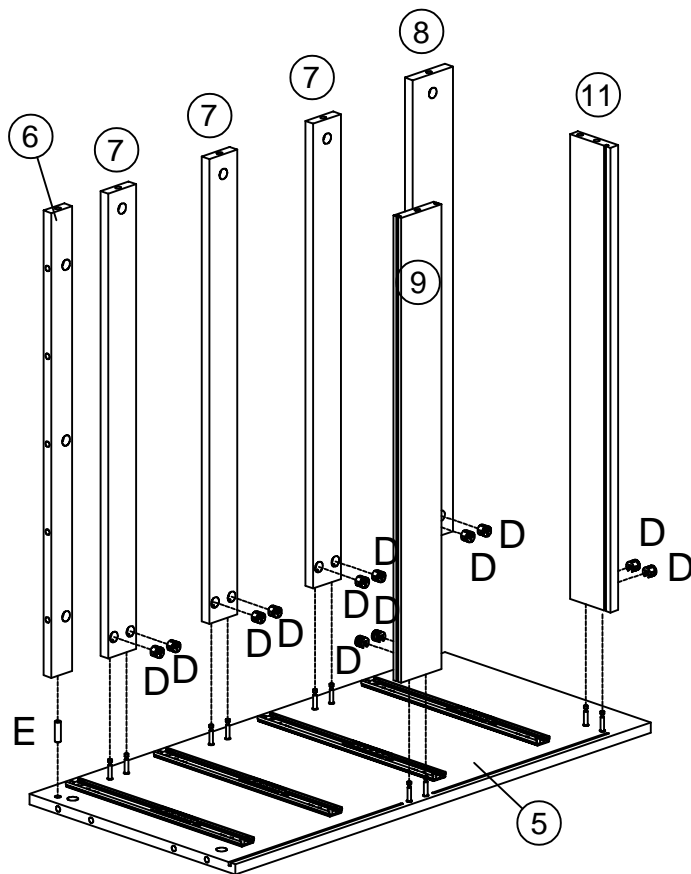
4

4

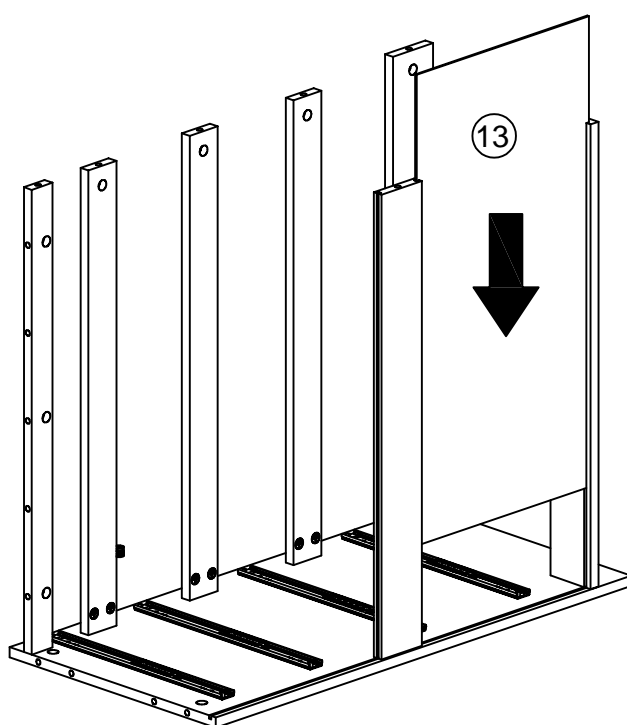


3



D	Ø15*12	E	Ø8*30
			
12PCS		1PC	

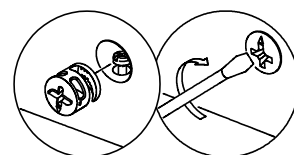
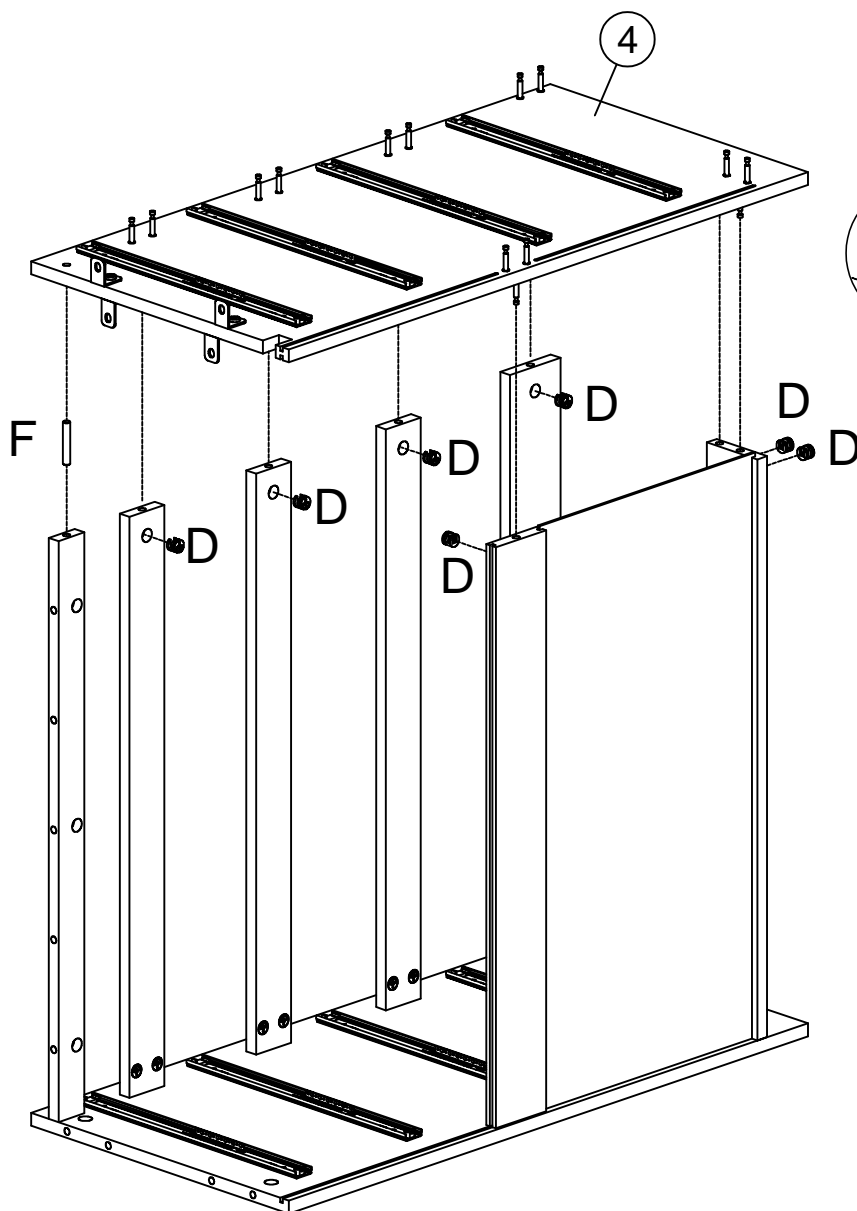


4



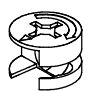
5

D	Ø15*12	F	Ø8*50
			
7PCS		1PC	

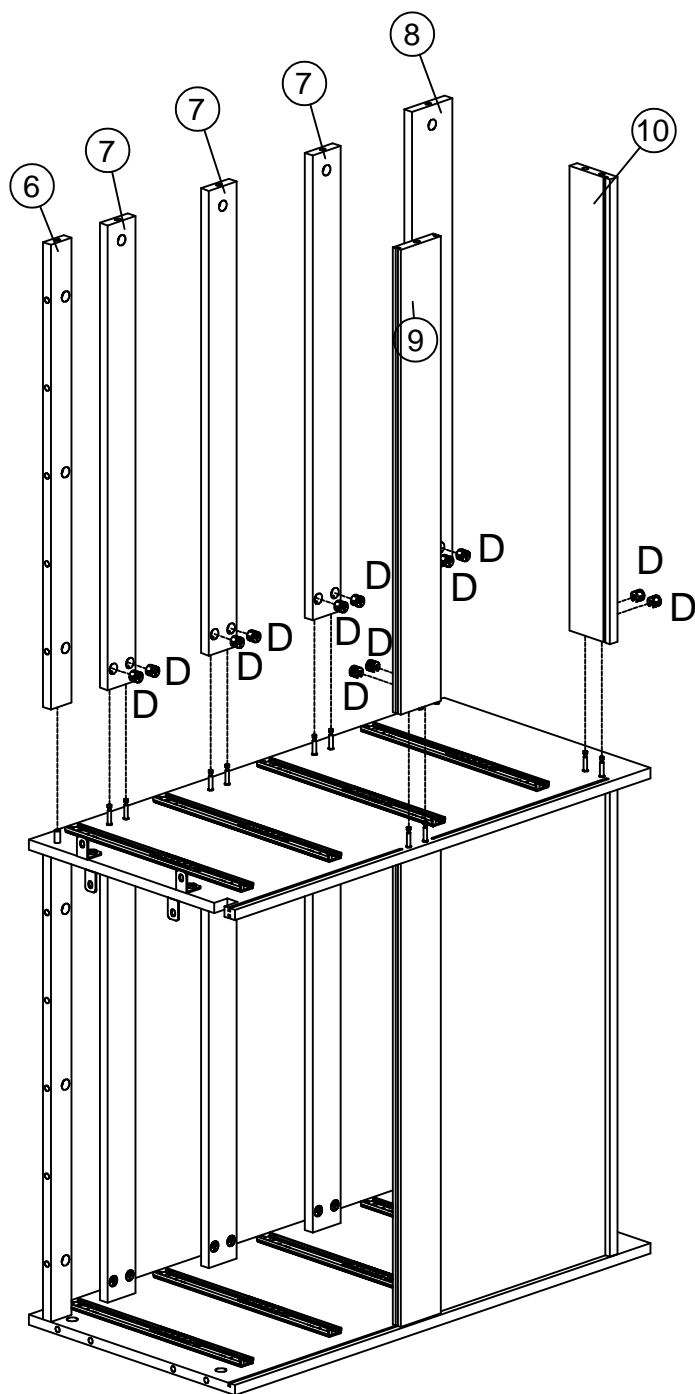


6

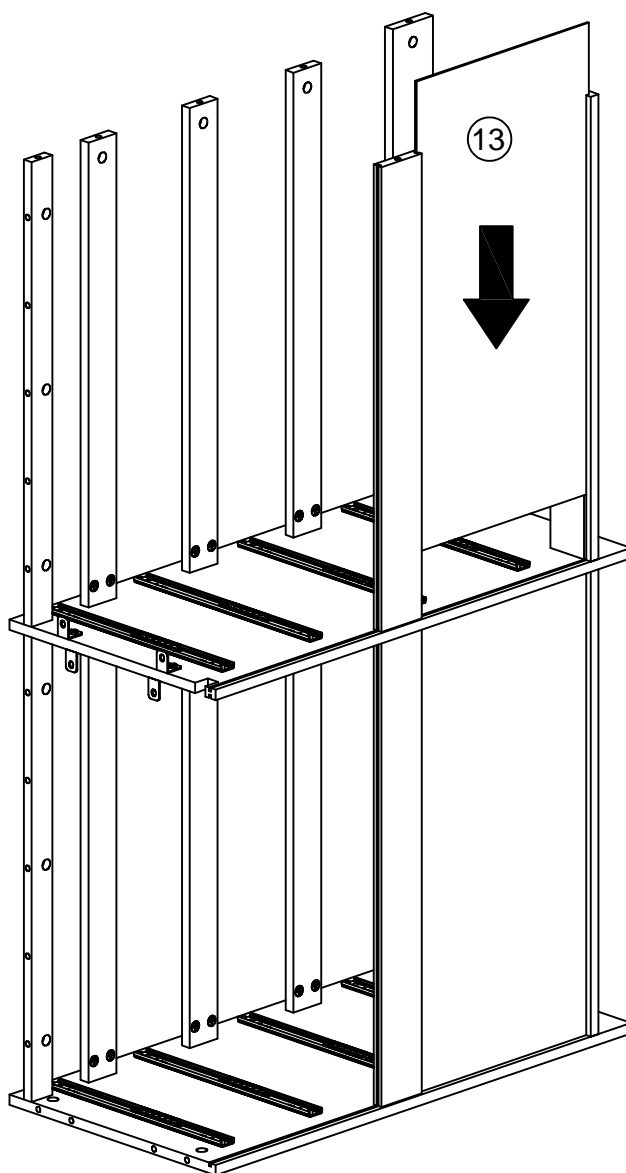
D Ø15*12



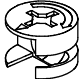

12PCS

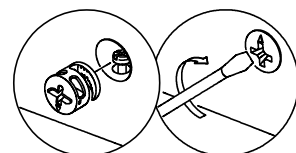
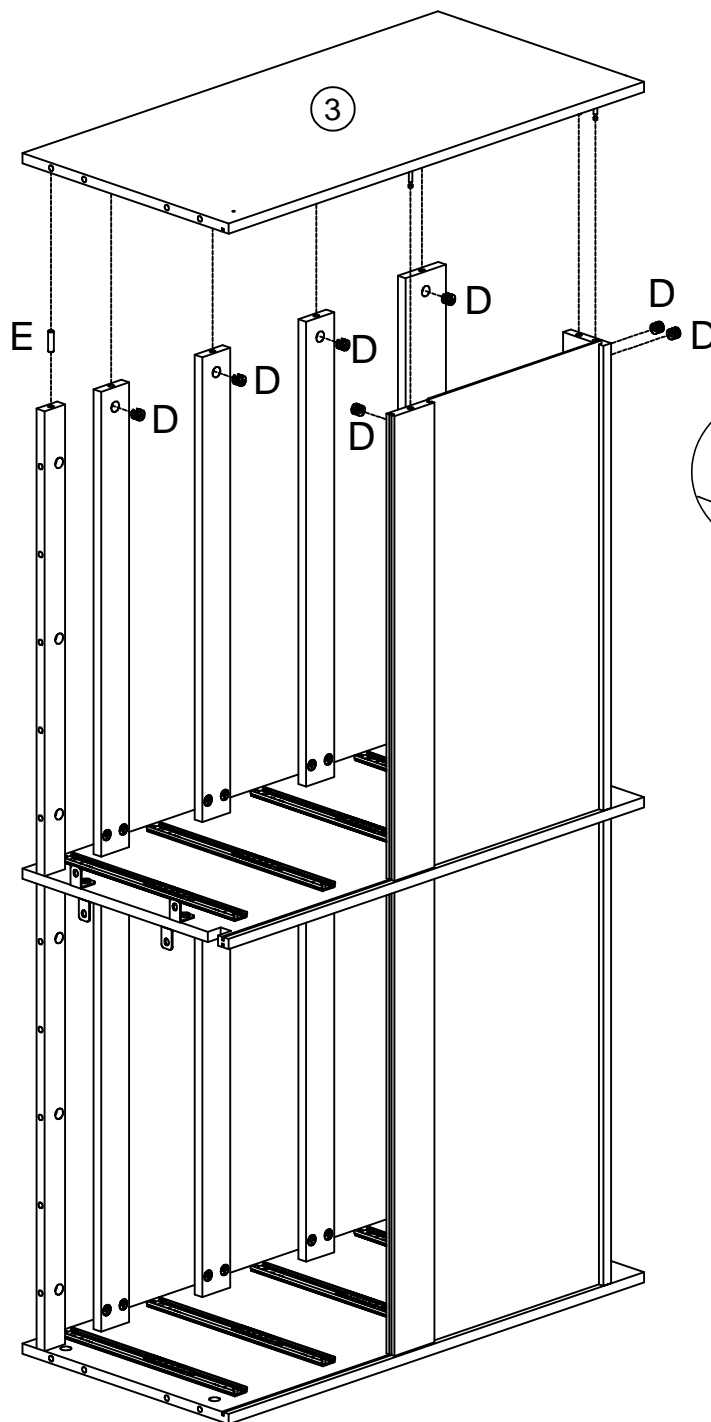


7

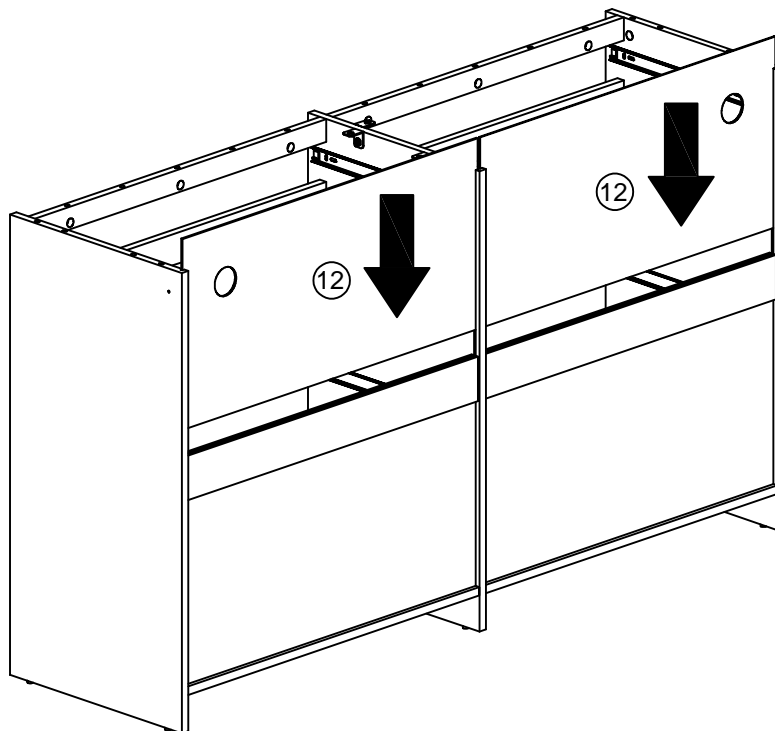


8

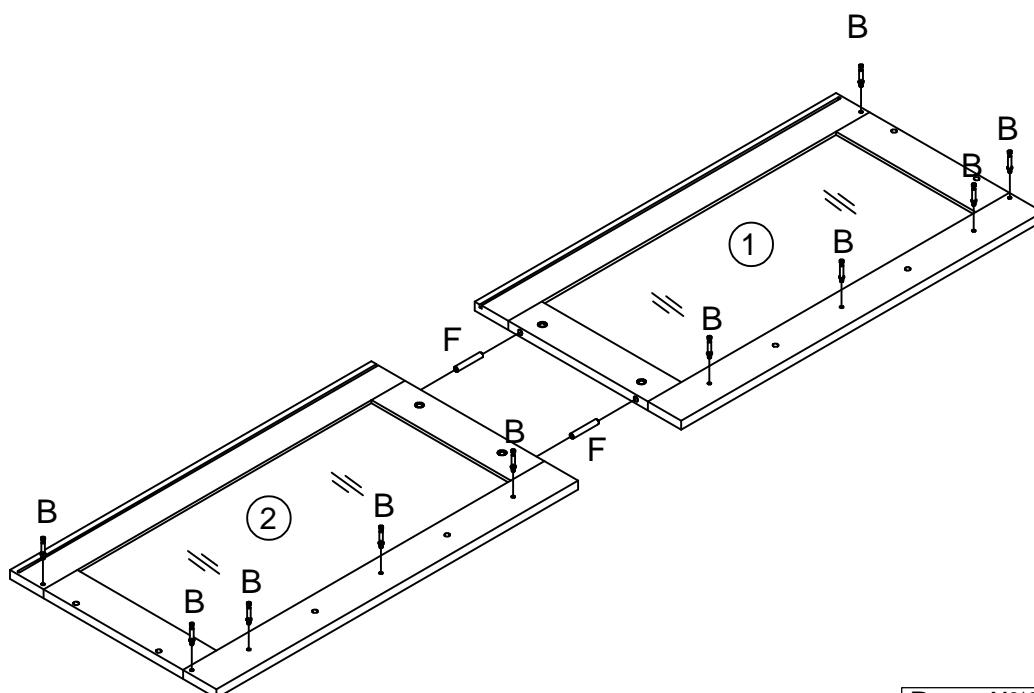
D	Ø15*12	E	Ø8*30
			
7PCS		1PC	

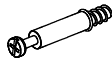



9

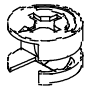
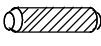
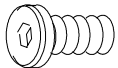
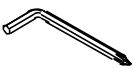


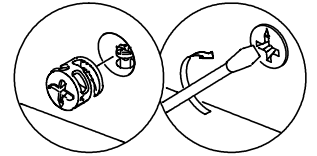
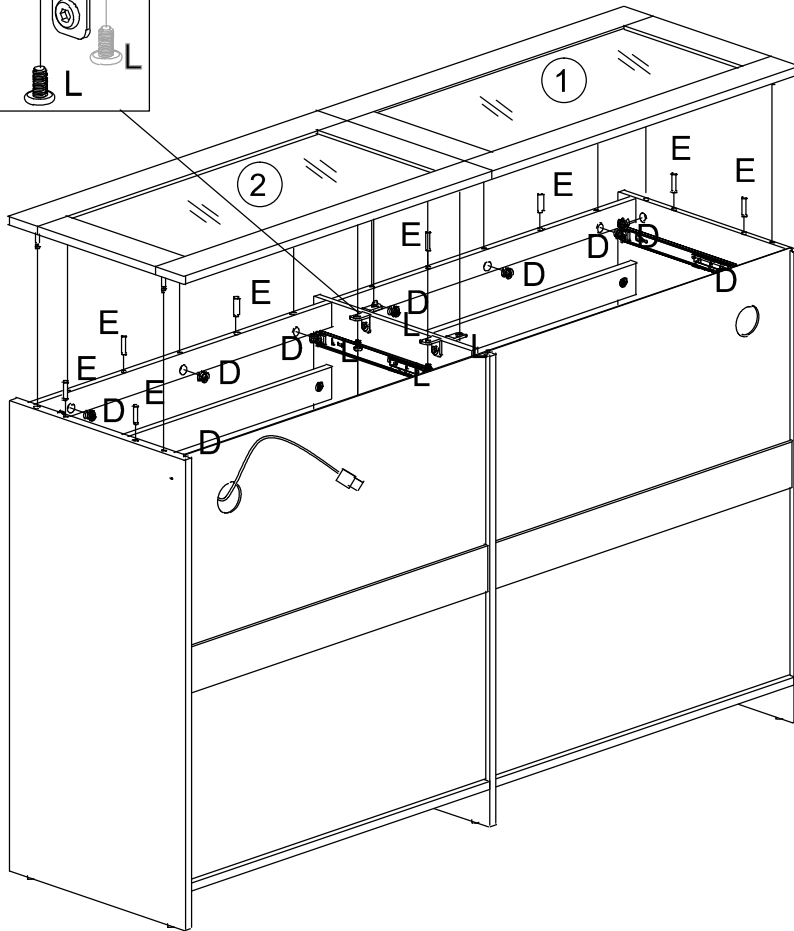
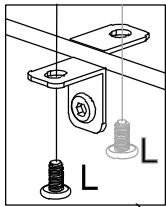
10



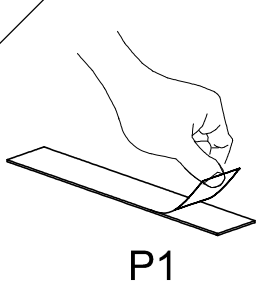
B	M6*35	F	Ø8*50
			
10PCS		2PCS	

11

D	Ø15*12	E	Ø8*30	L	M6*12	J	
							
10PCS		8PCS		4PCS		1PC	



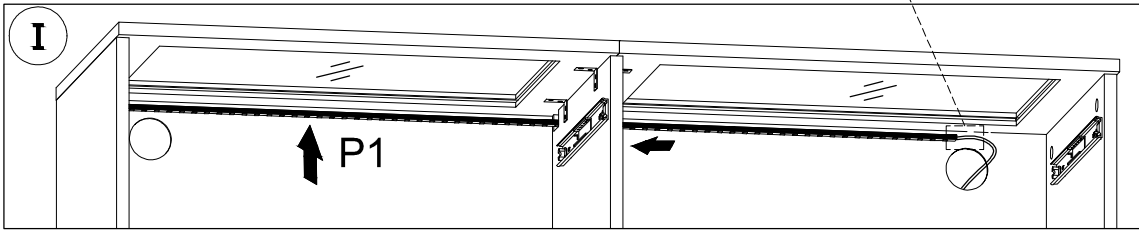
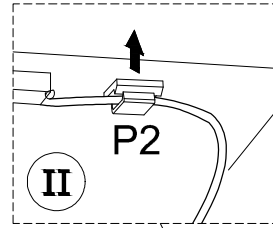
12



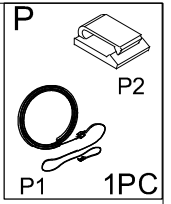
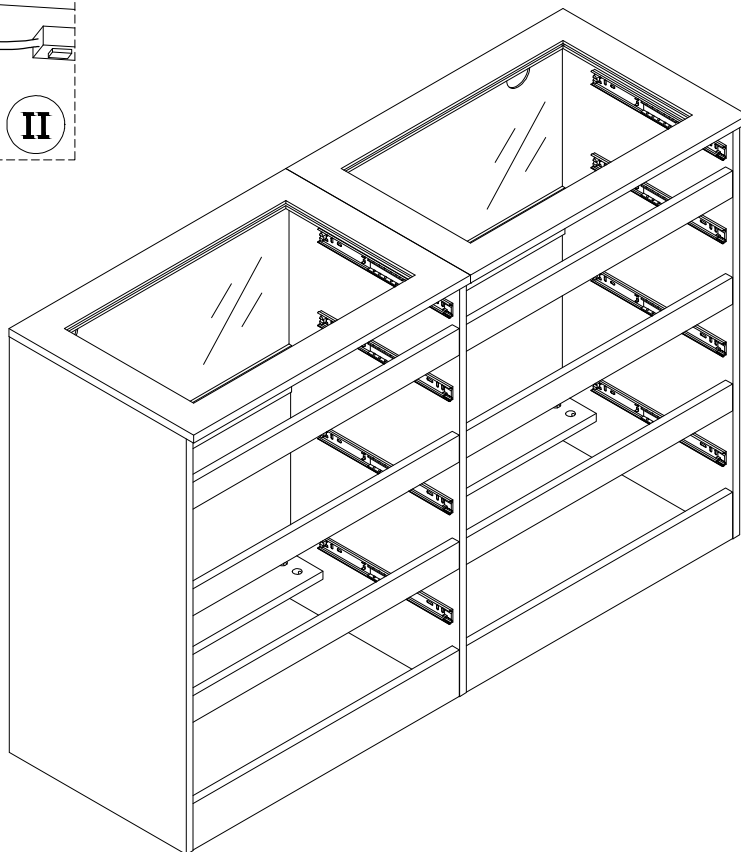
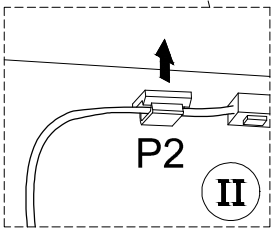
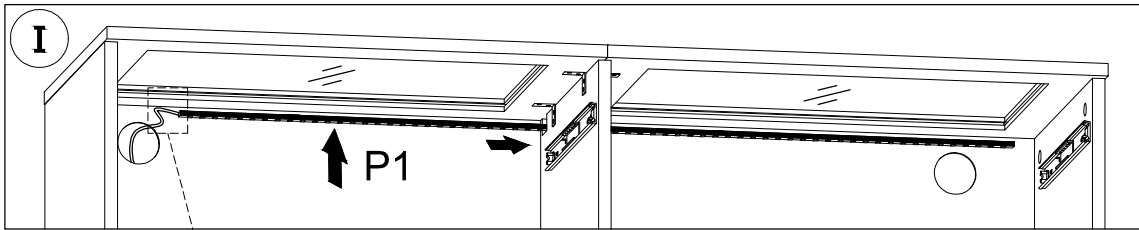
P1



P2




OR




13

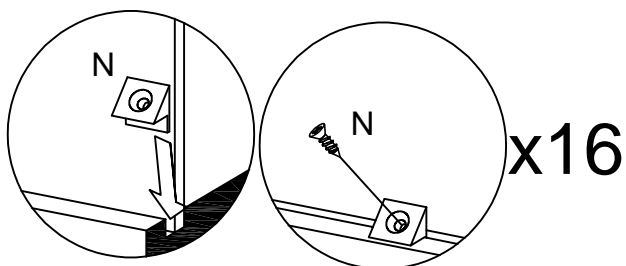
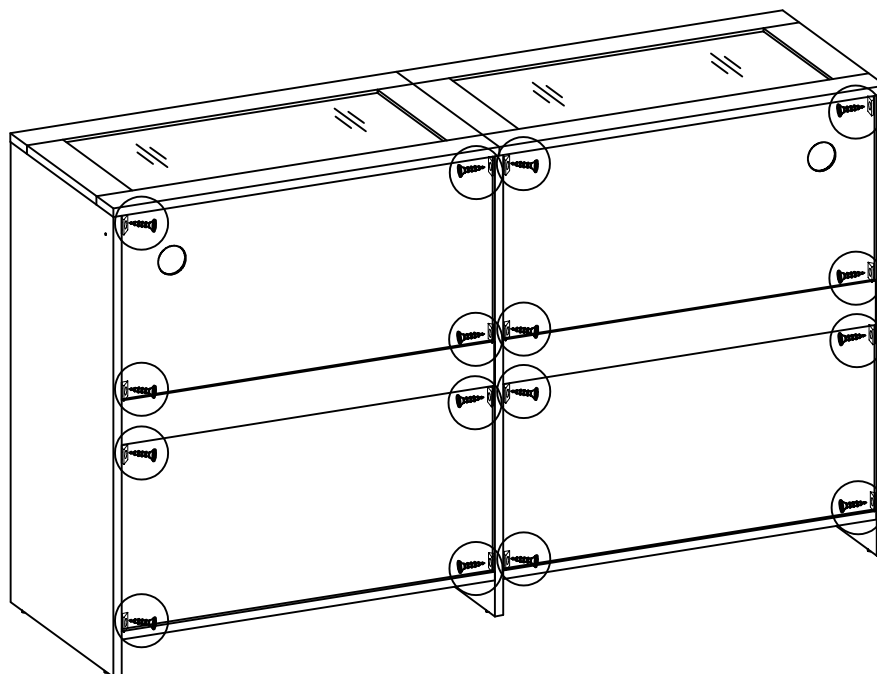
N



M3*14



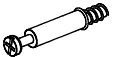
16PCS



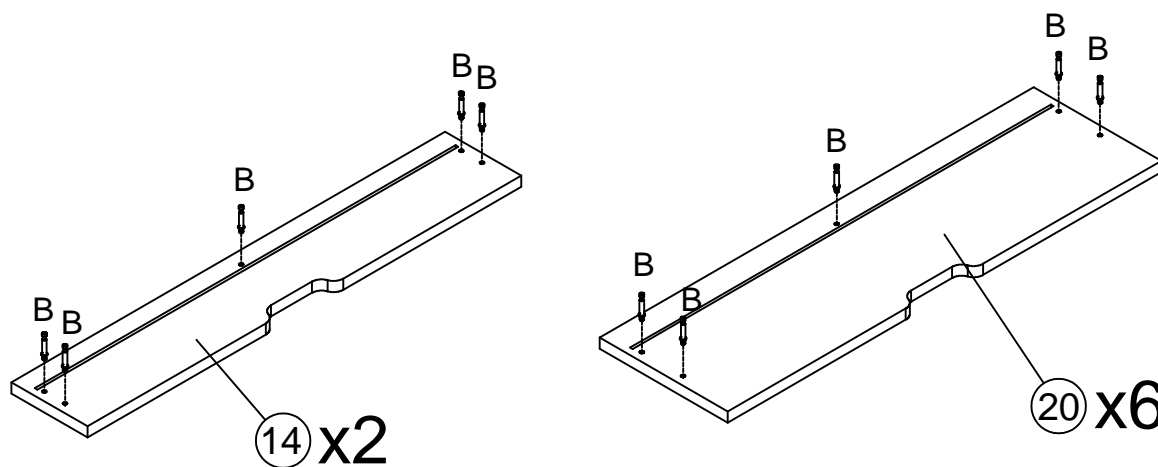
14

B


M6*35

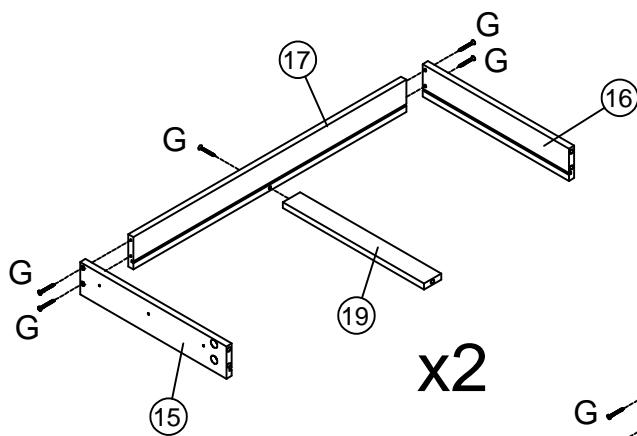


40PCS

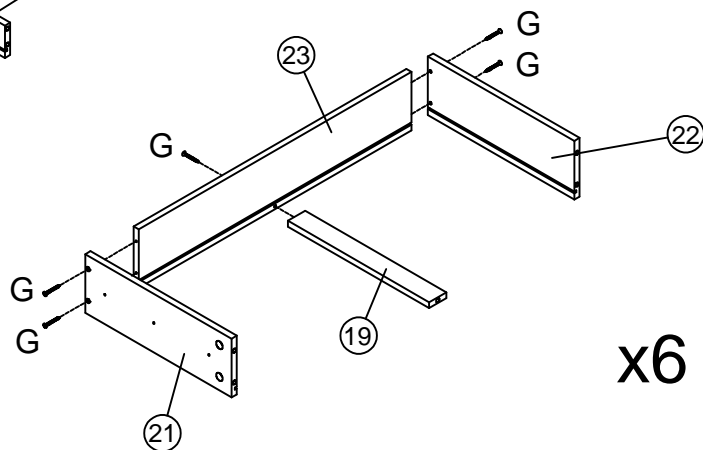


15

G M4*35

40PCS

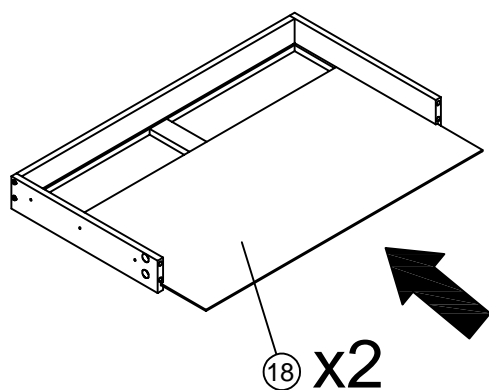


x2

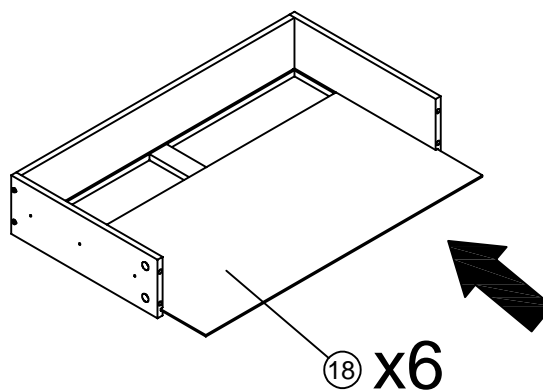


x6

16



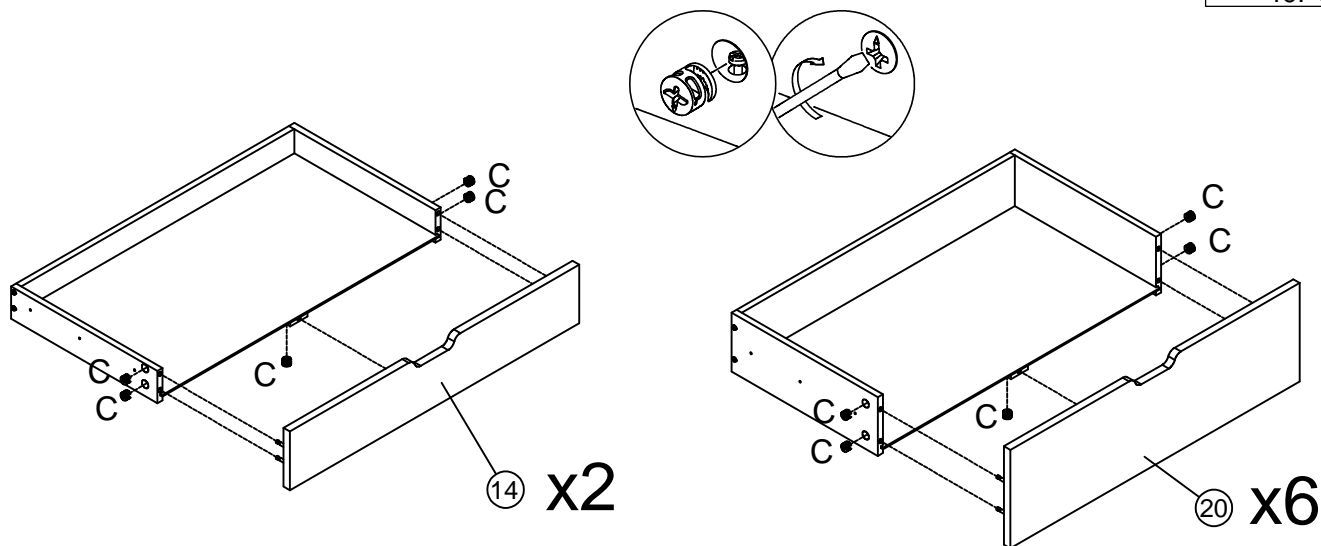

x2



x6

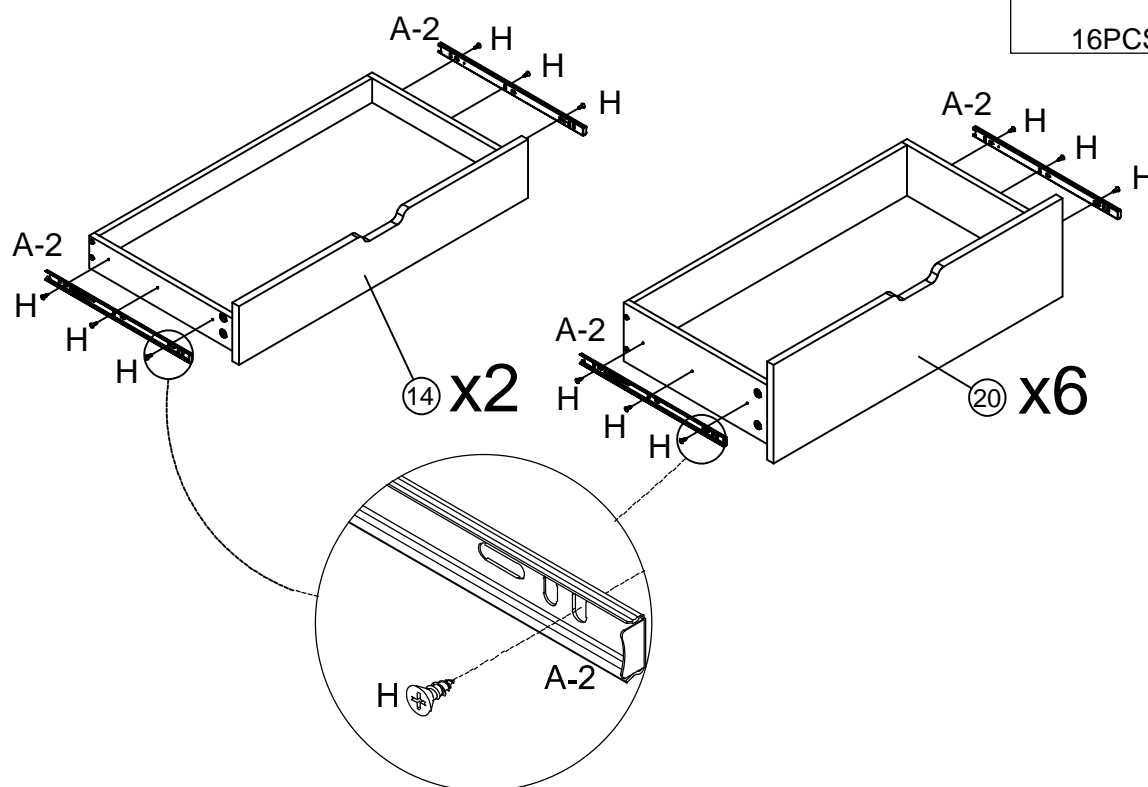

17

C Ø15*10
40PCS

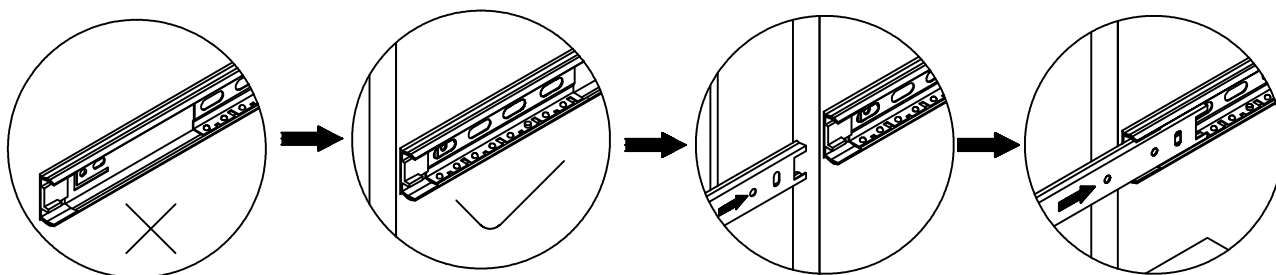
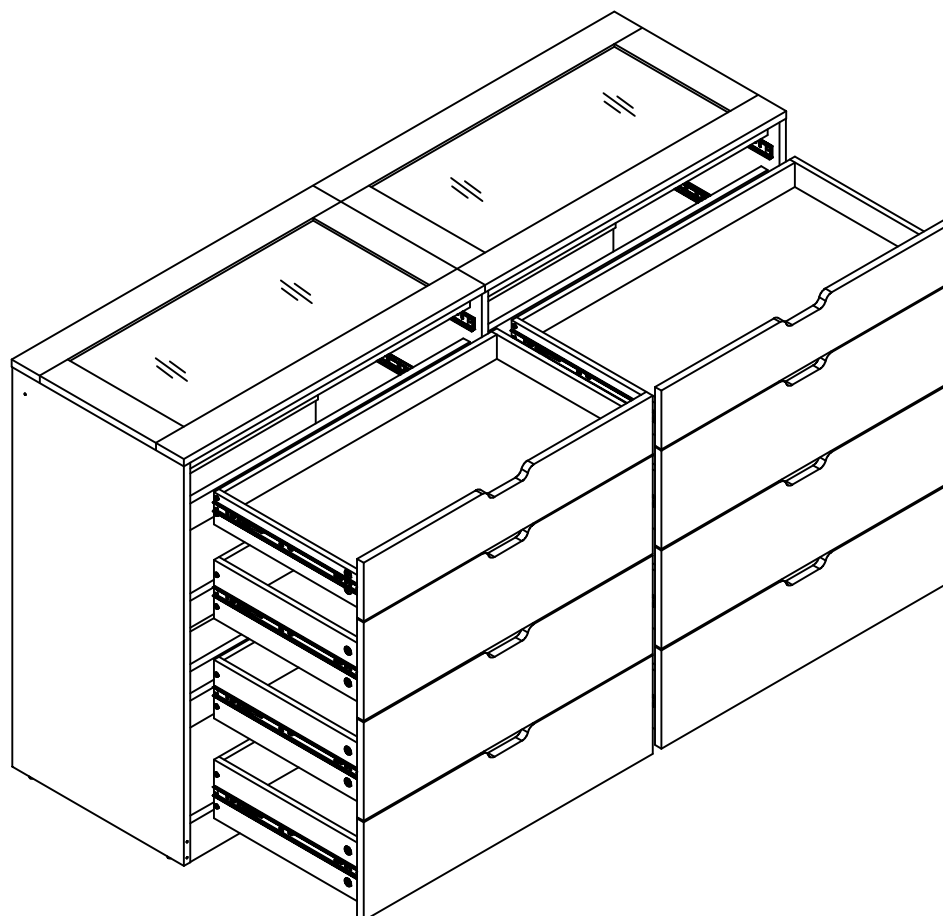


18

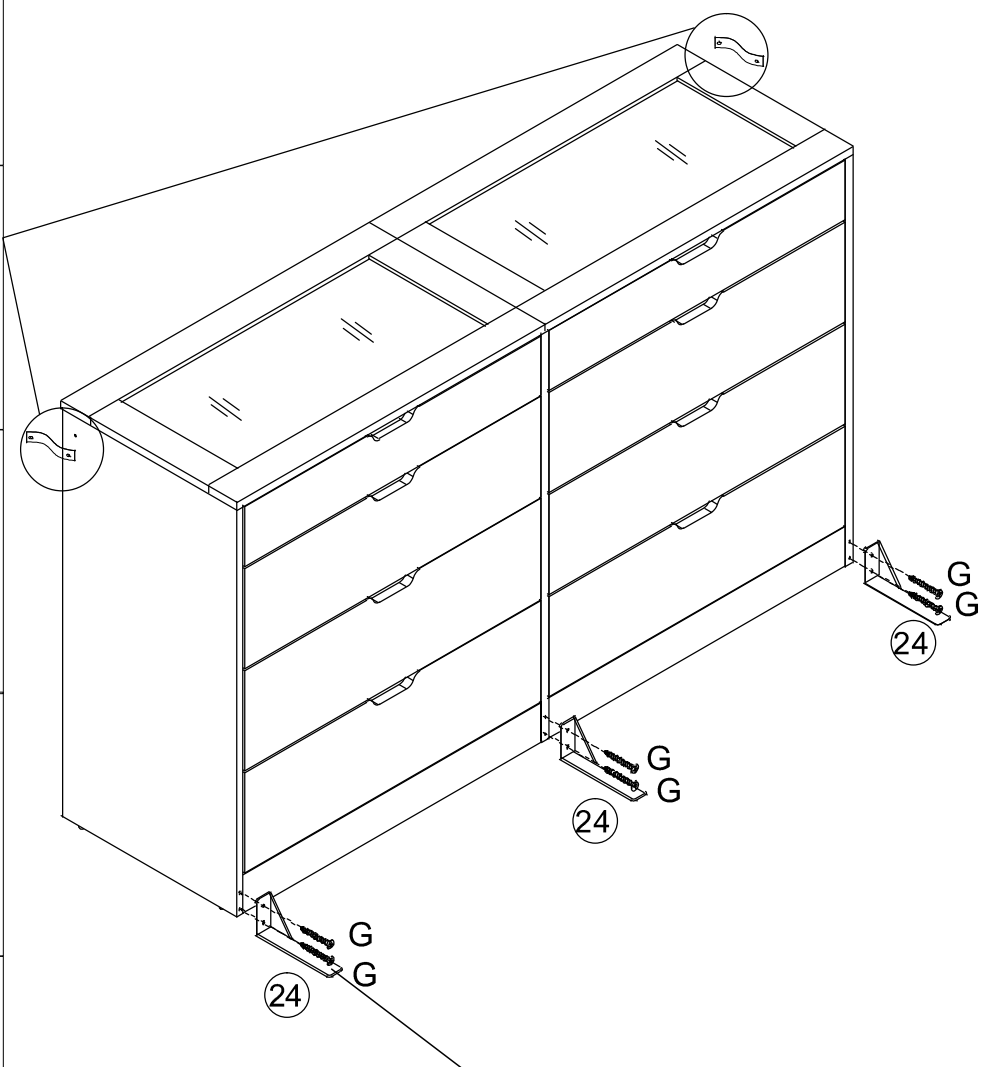
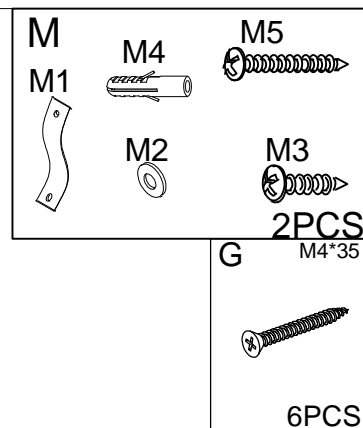
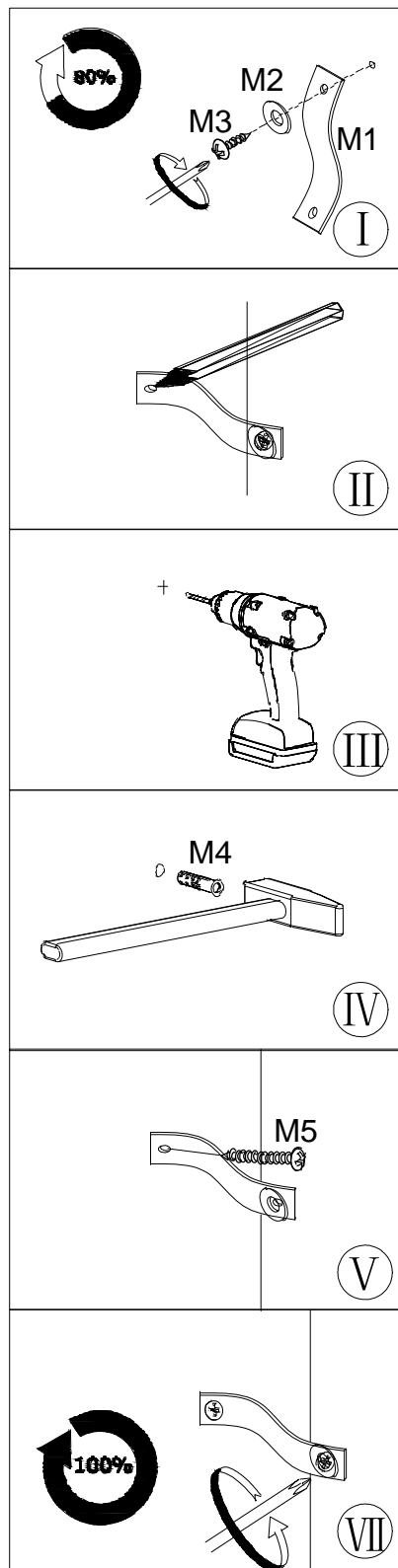
A-2 H M3.5*12
16PCS 48PCS



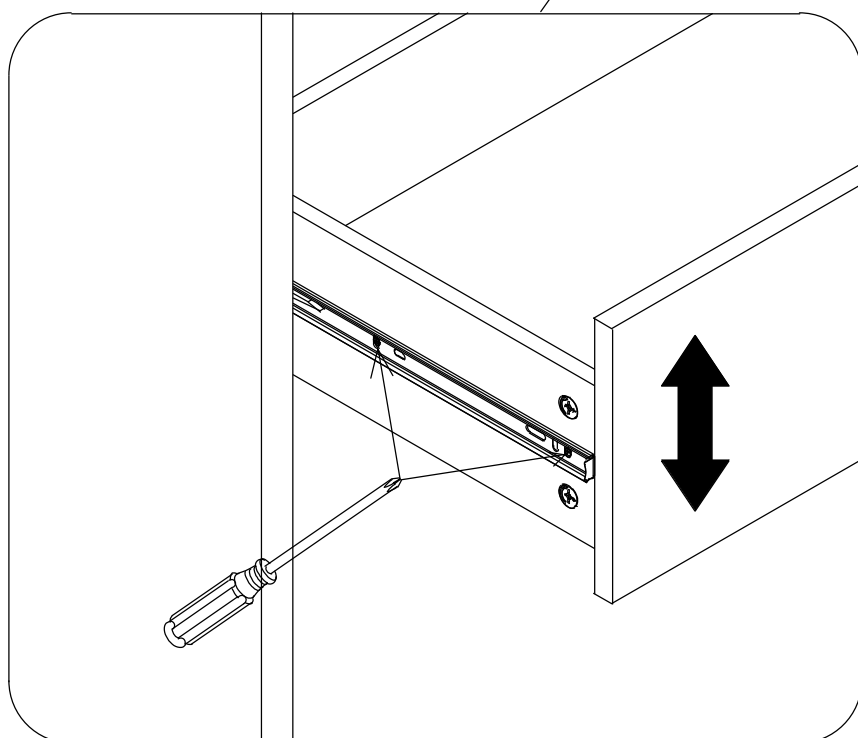
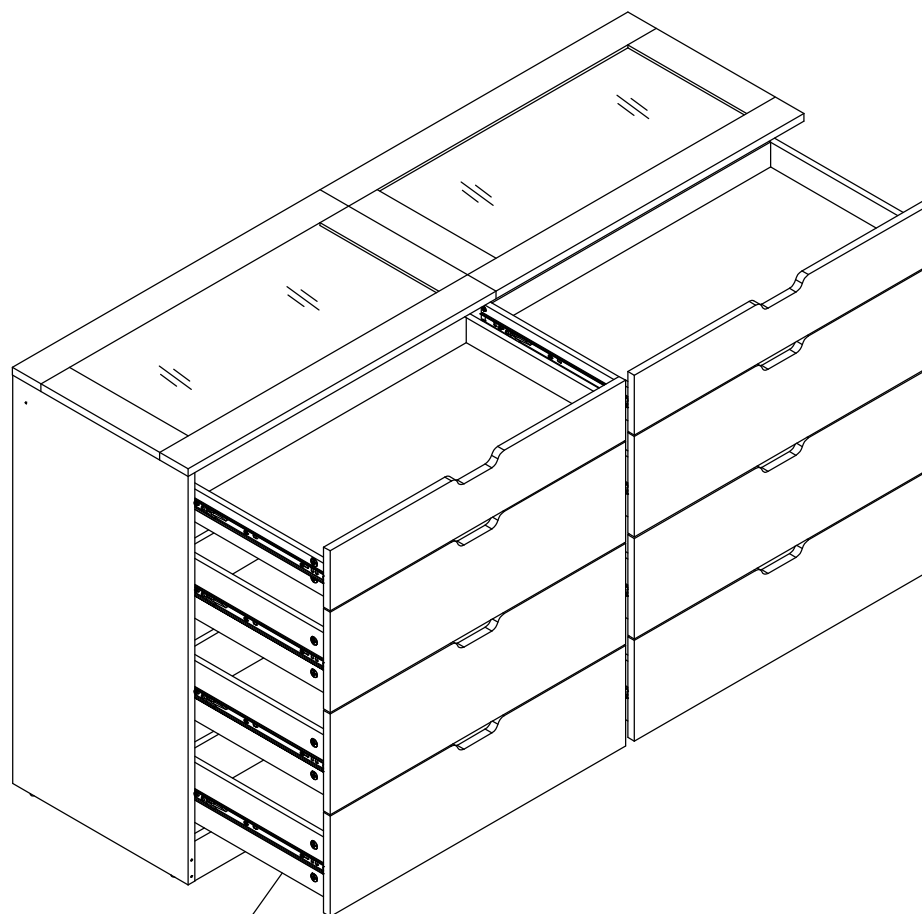
19



20



You can opt for installing this accessory to prevent tipping risks. Tested in laboratory simulations for child climbing safety. Please use with confidence.



TIP:
If the gaps are uneven
you can adjust them by
looking at the view.

