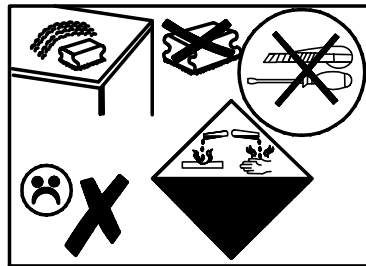
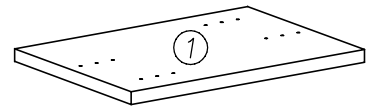
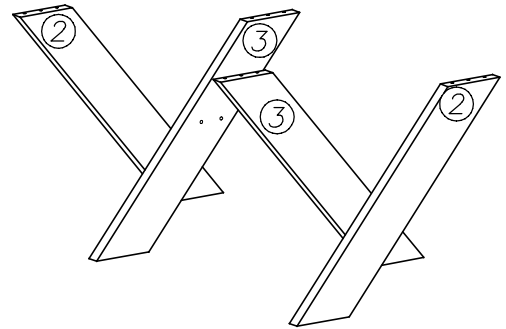
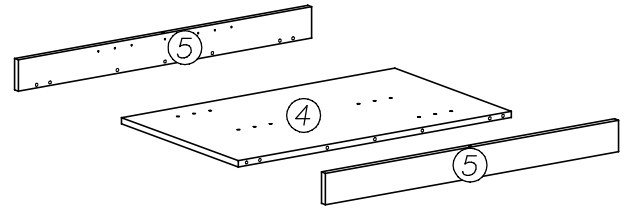
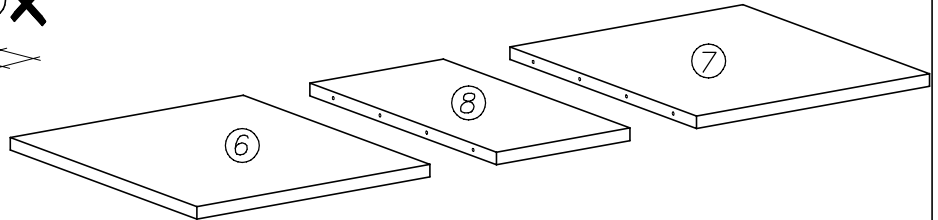
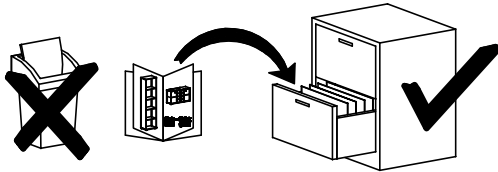
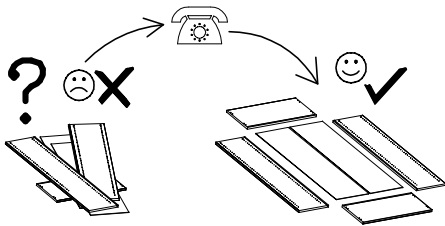
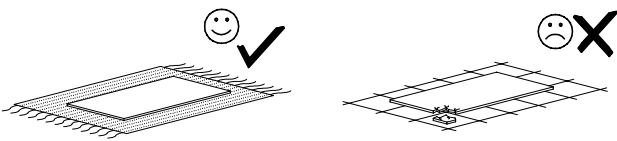
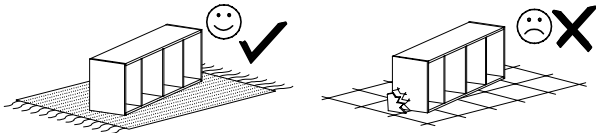
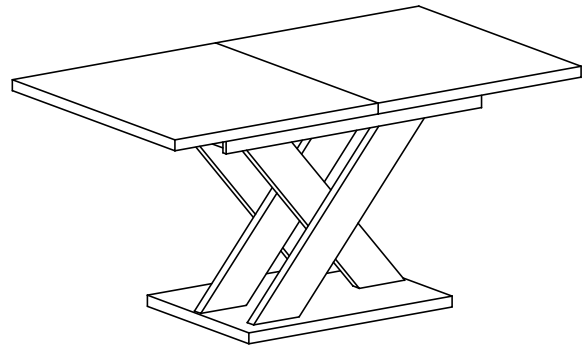
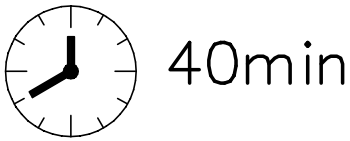
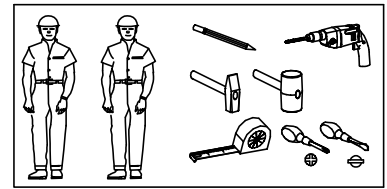
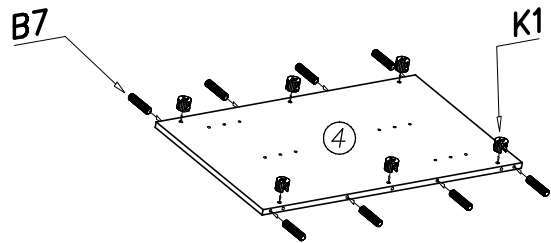
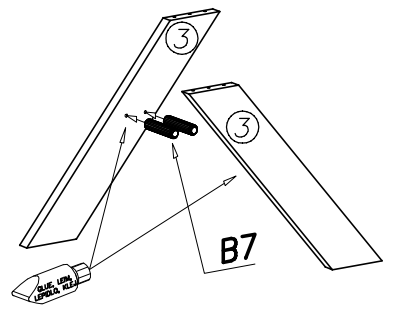
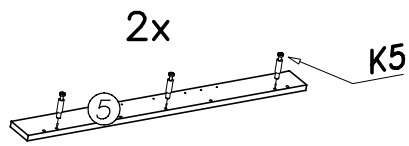
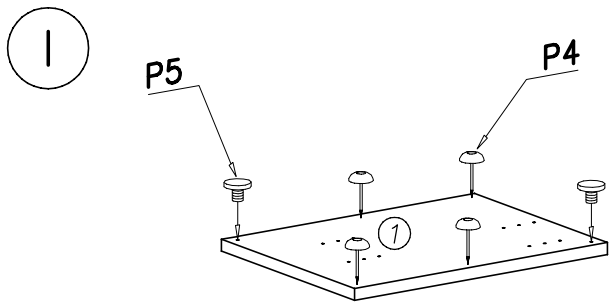


**IMPORTANT INFORMATION:**

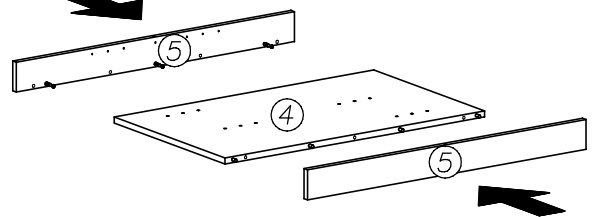
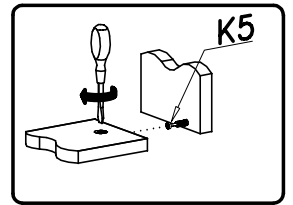
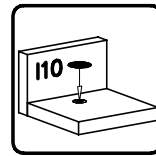
- 1) REMOVE THE PROTECTIVE FOIL IF THE TABLE IS IN HIGH GLOSS
- 2) HIGH GLOSS SURFACE HARDENING TIME IS 2 HOURS
- 3) AFTER 2 HOURS, TO CLEAN THE SURFACE, USE ONLY SOFT CLOTHS (E.G. COTTON OR MICROFIBRE CLOTHS AVAILABLE IN STORES). WASH THE SURFACE WITH A 1% MIXTURE OF SOAPY WATER



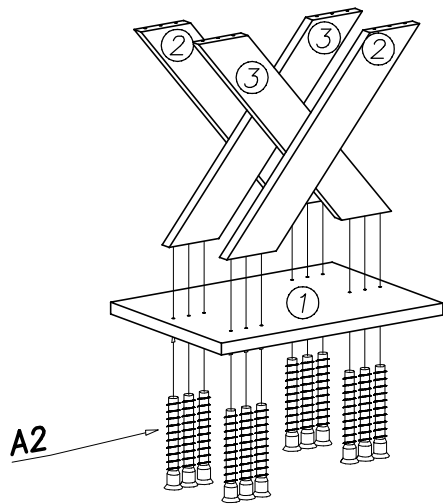
W1  x1	I10  x6	P5  x2	B6  x10	I11  x12	
A4  7 x 50 x12	K5  x6	K1  x6	P4  x4	H13  x1	
W2  x1	A2  7 x 70 x12	B7  8 x 30 x10	J10  x4	G34  4 x 15 x8	G10  6,3 x 13 x30



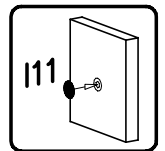
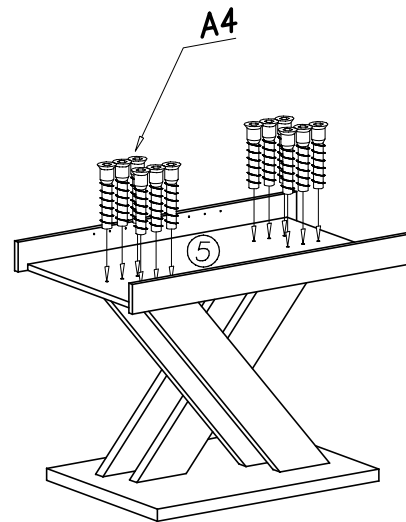
II



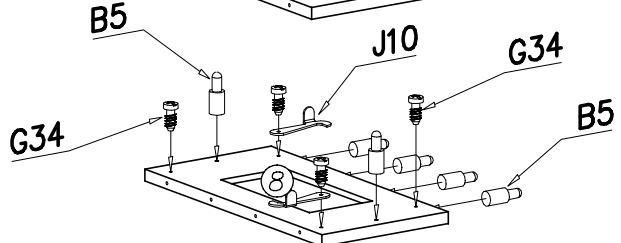
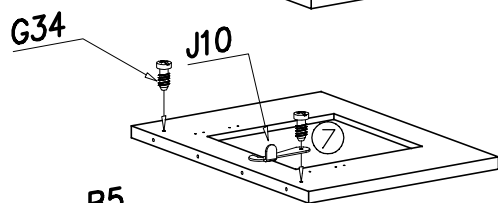
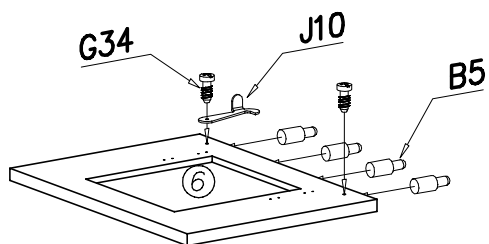
III



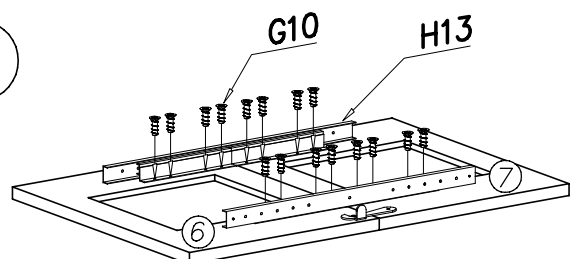
IV



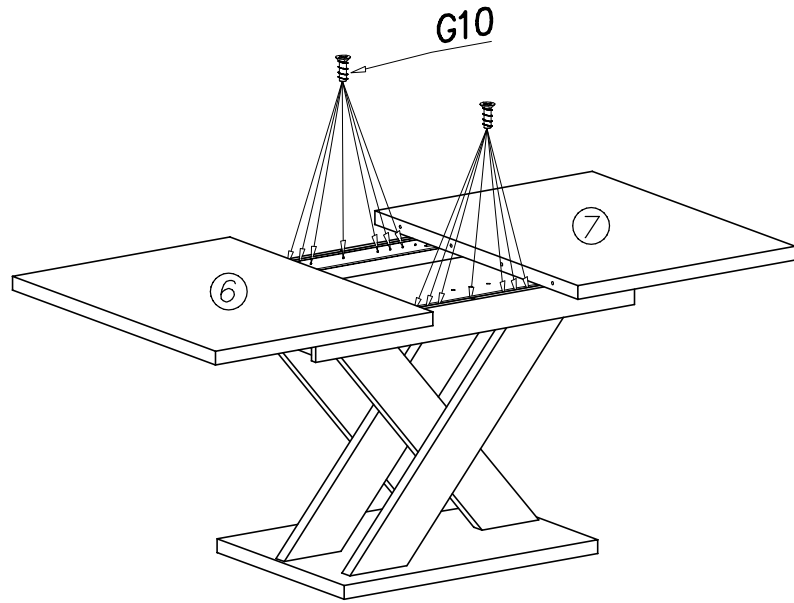
V



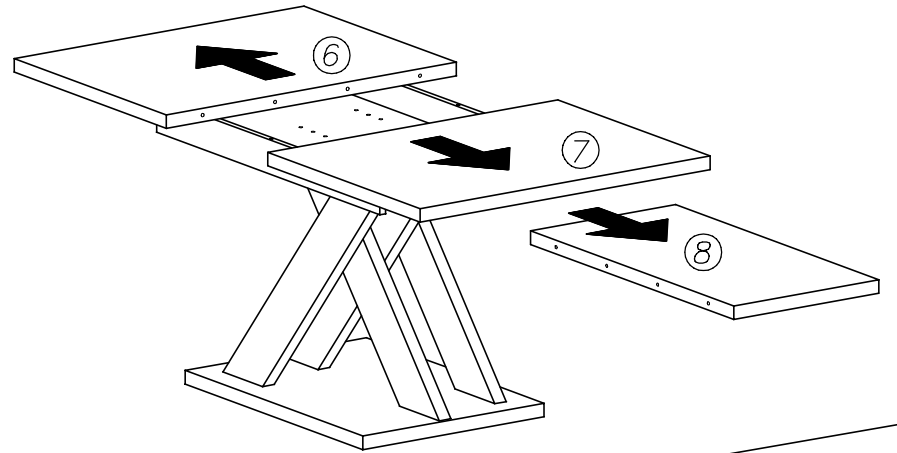
VI



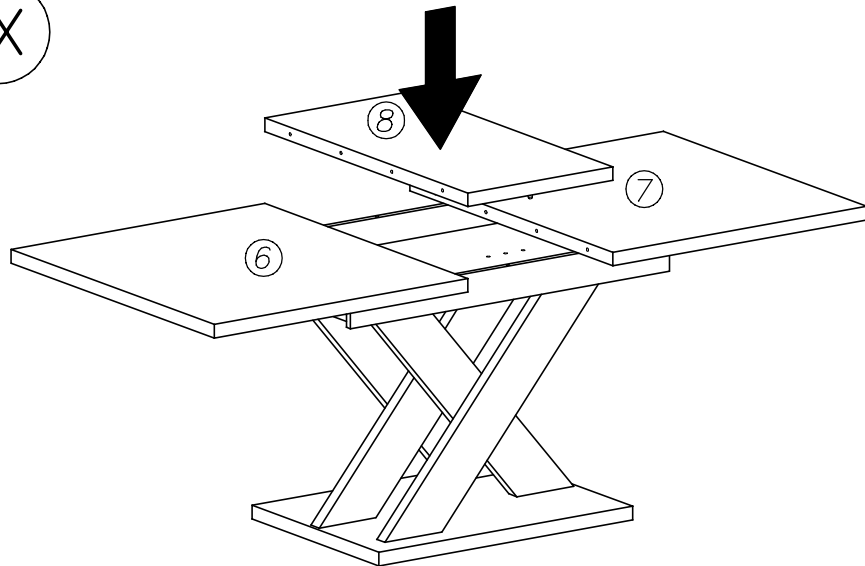
VII



VIII



IX



X

