

ZEAFIVE[®]

DIMENSION DETAILS BATHROOM VANITY

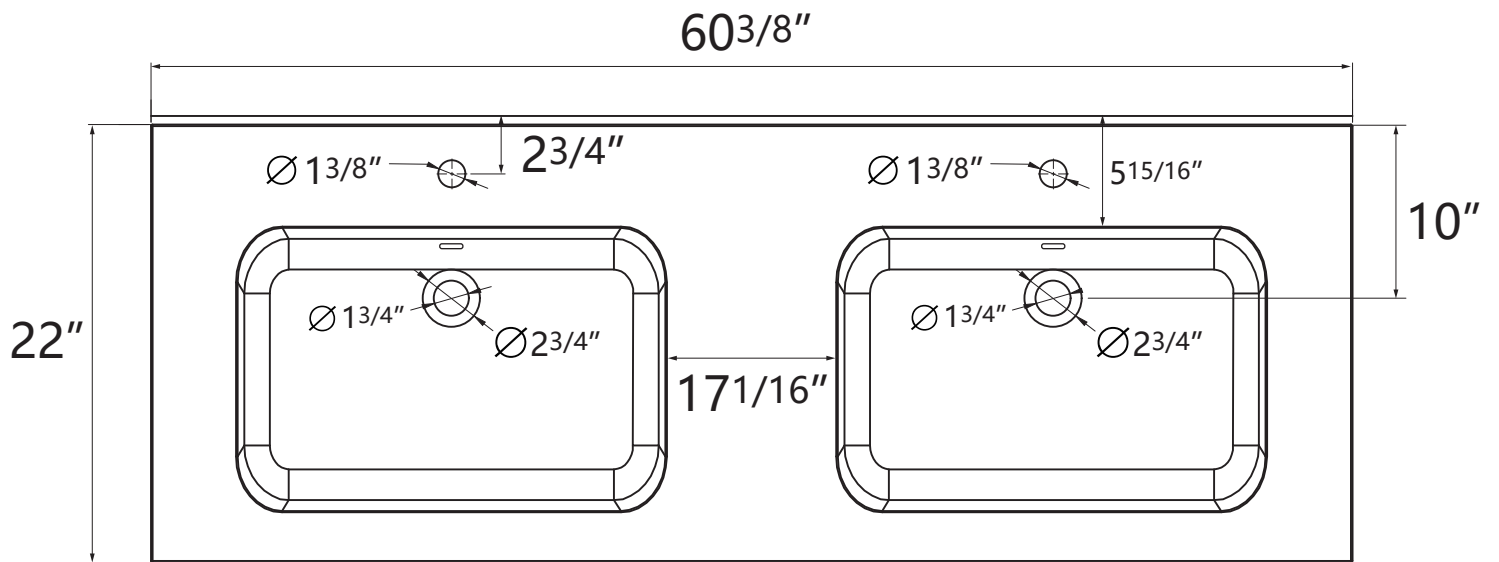
✉ Email: service@bestgosupplychaininc.com

MODEL.
FA60



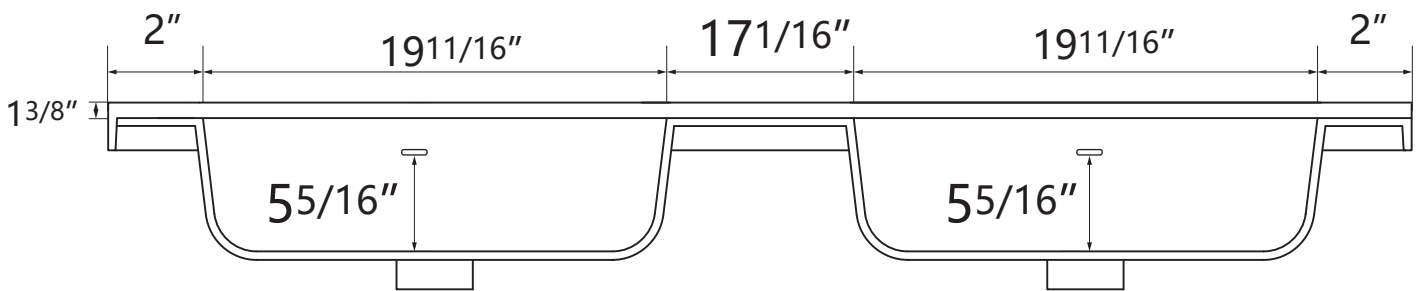
PRODUCT
INSTRUCTION
VIDEO



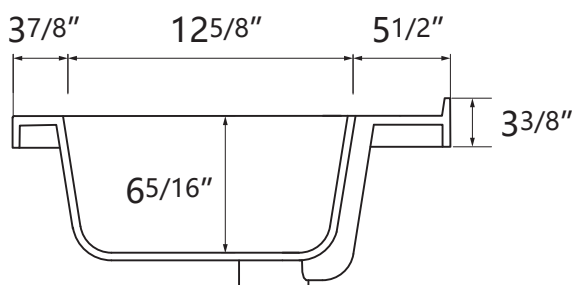


Top View

VANITY SIZE



Front View



Side View