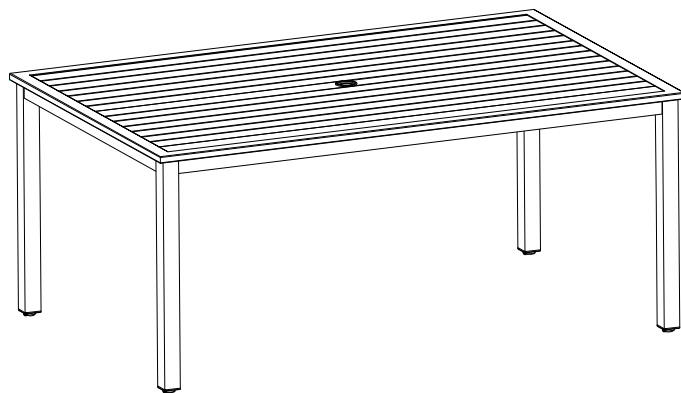
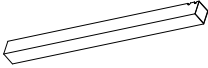
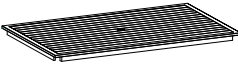


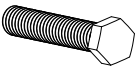

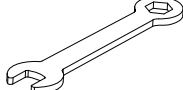

Outdoor Dining Table



PART LIST

<div data-bbox="60 159 97 197" data-label="Text">#A</div> 	<div data-bbox="330 159 367 197" data-label="Text">#B</div> 
<div data-bbox="151 403 247 470" data-label="Text"> <p>Leg 4 PCS</p> </div>	<div data-bbox="375 403 534 470" data-label="Text"> <p>Top Panel 1 PC</p> </div>

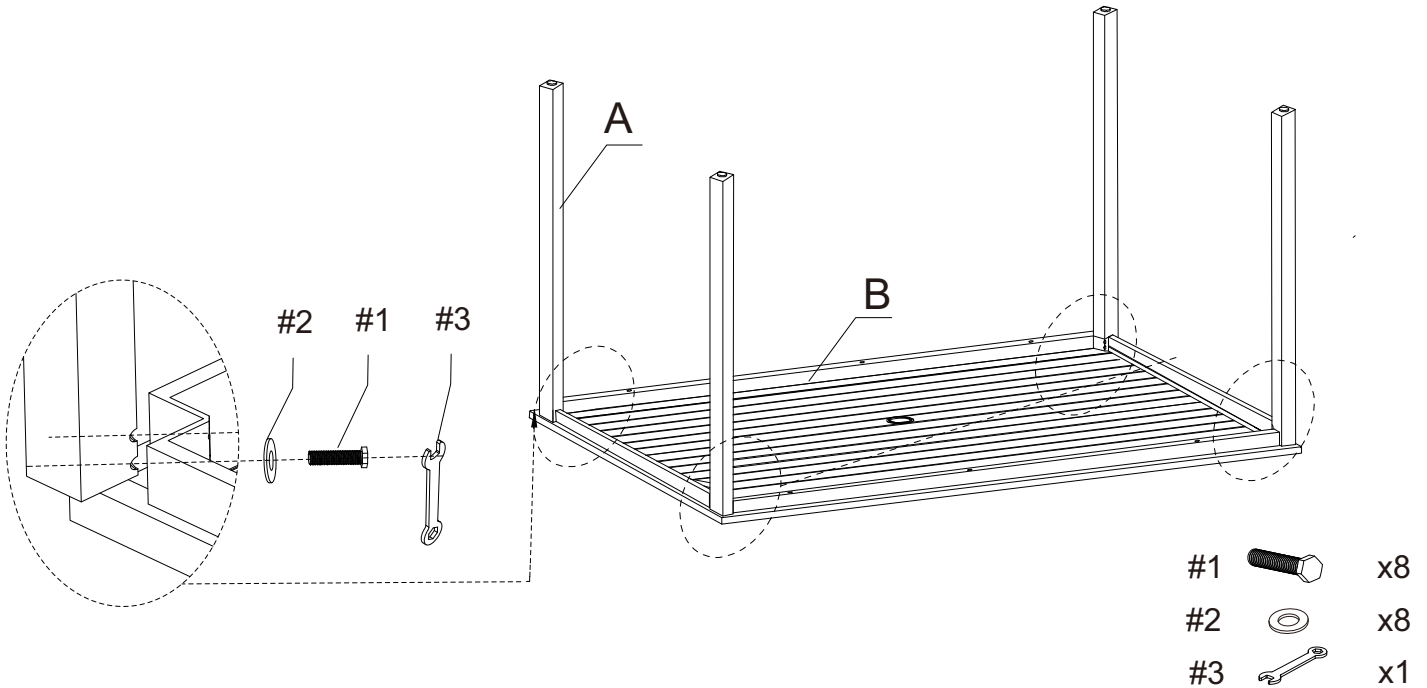
HARDWARE LIST

<div data-bbox="60 649 97 687" data-label="Text">#1</div>  <div data-bbox="111 828 263 866" data-label="Text"> <p>M8*35mm</p> </div>	<div data-bbox="330 649 367 687" data-label="Text">#2</div>  <div data-bbox="391 828 502 866" data-label="Text"> <p>M6mm</p> </div>	<div data-bbox="593 649 630 687" data-label="Text">#3</div> 	<div data-bbox="857 649 893 687" data-label="Text">#4</div> 
<div data-bbox="87 884 319 963" data-label="Text"> <p>Bolt 8 PCS (Extra 1)</p> </div>	<div data-bbox="343 884 574 963" data-label="Text"> <p>Flat Washer 8 PCS (Extra 1)</p> </div>	<div data-bbox="662 884 790 963" data-label="Text"> <p>Wrench 1 PC</p> </div>	<div data-bbox="941 884 1029 963" data-label="Text"> <p>Cap 1 PC</p> </div>

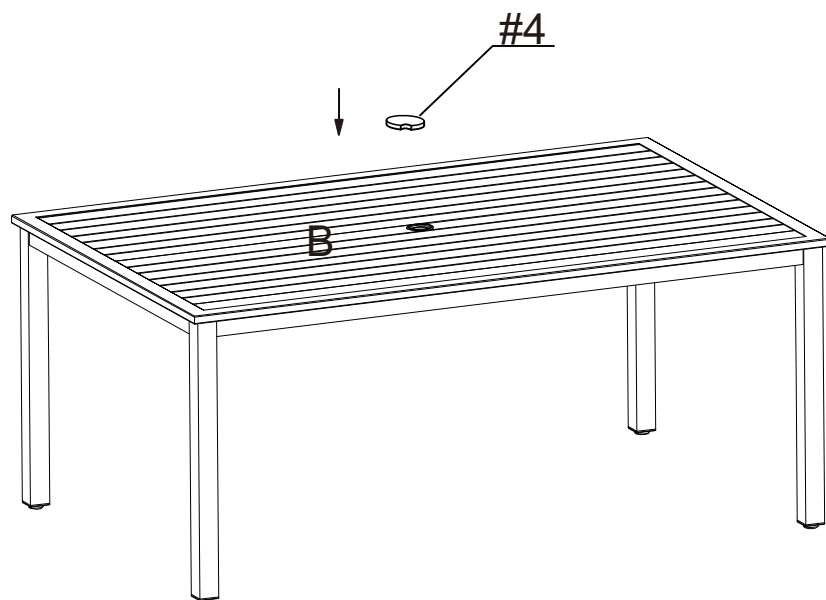
Step 1. Lay top panel (part B) upside down on a soft flat surface, such as carpet, as shown below. Attach legs (part A) to top panel (part B) using bolts (part #1), flat washers (part #2) and wrench (part #3).

NOTE: Please fully tighten all bolts at this time.

NOTE: It is important to adjust levelers once fully assembled and upright. Extend adjustable leveler until it's firmly in contact with the floor. If relocating, adjust leveler as needed until it's firmly in contact with the floor in new location.



Step 2. Carefully turn unit upright. Attach cap (part #4) to top panel (part B).



#4		x1
----	---	----