

ASSEMBLY INSTRUCTIONS



SWIVEL GLIDER CHAIR

ASSEMBLY INSTRUCTIONS

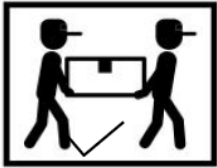
ASSEMBLY TIPS:

- 1.Remove hardware from box and sort by size.
- 2.Please check to see that all hardware and parts are present prior to start of assembly.
- 3.Please follow attached instruction in the same sequence as numbered to assure fast & easy assembly.



WARNING!

- 1.Don't attempt to repair or modify parts that are broken or defective. Please contact the store immediately.
- 2.This product is for home use only and not intended for commercial establishment.

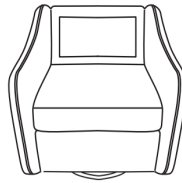


ASSEMBLY TIME

1 MINUTE

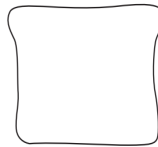
PARTS IDENTIFICATION

CE ÓÓÈÚÒ



1 PC

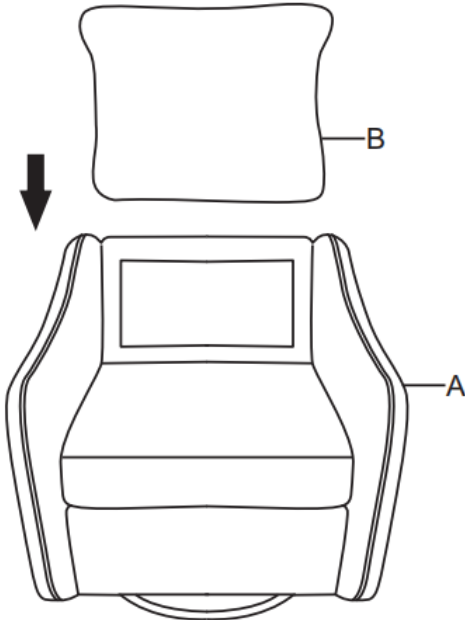
B BACK CUSHION



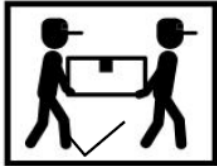
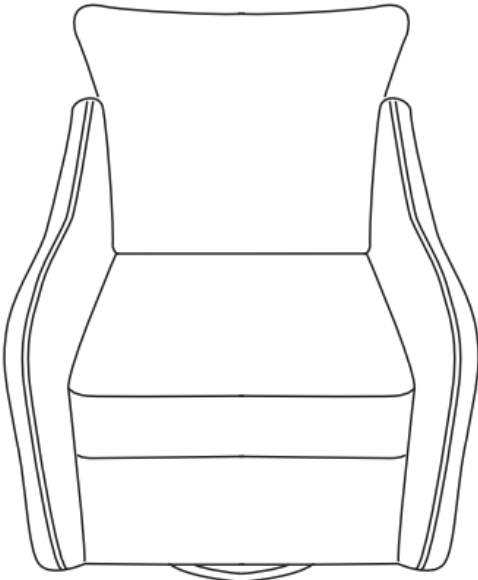
1 PC

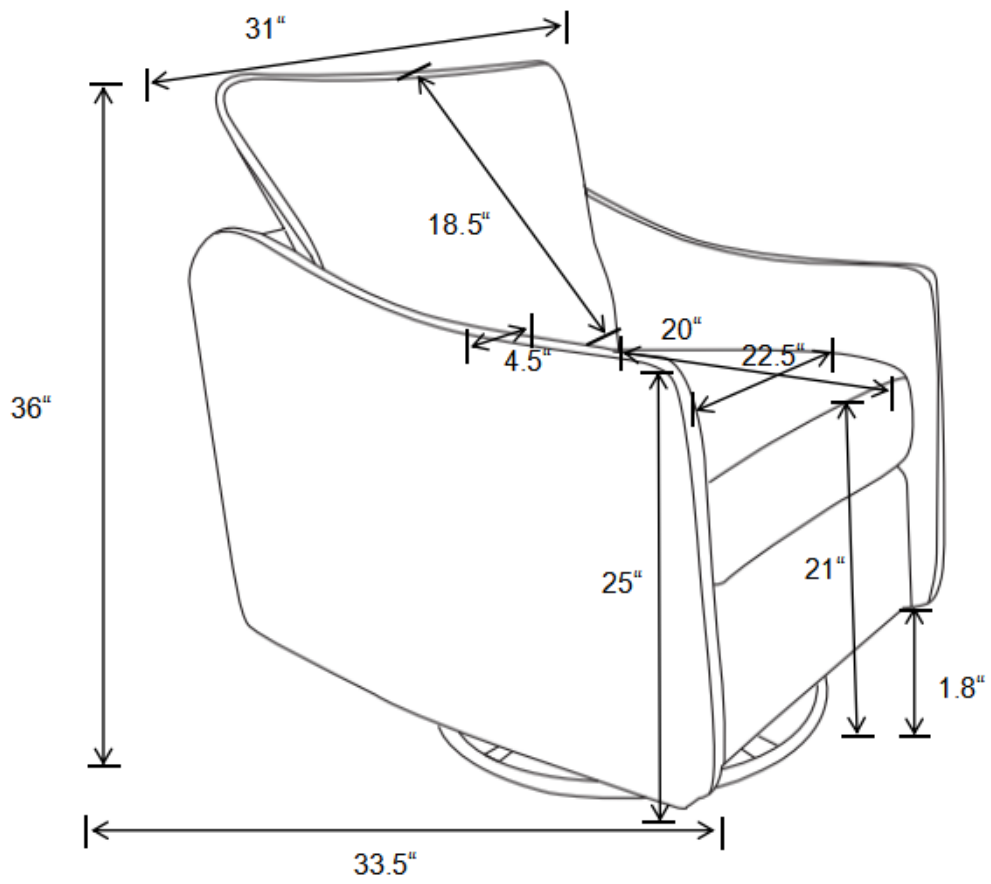
ASSEMBLY INSTRUCTIONS

STEP 1



STEP 2
COMPLETED





Note : Dimension tolerance $\pm 5\%$