

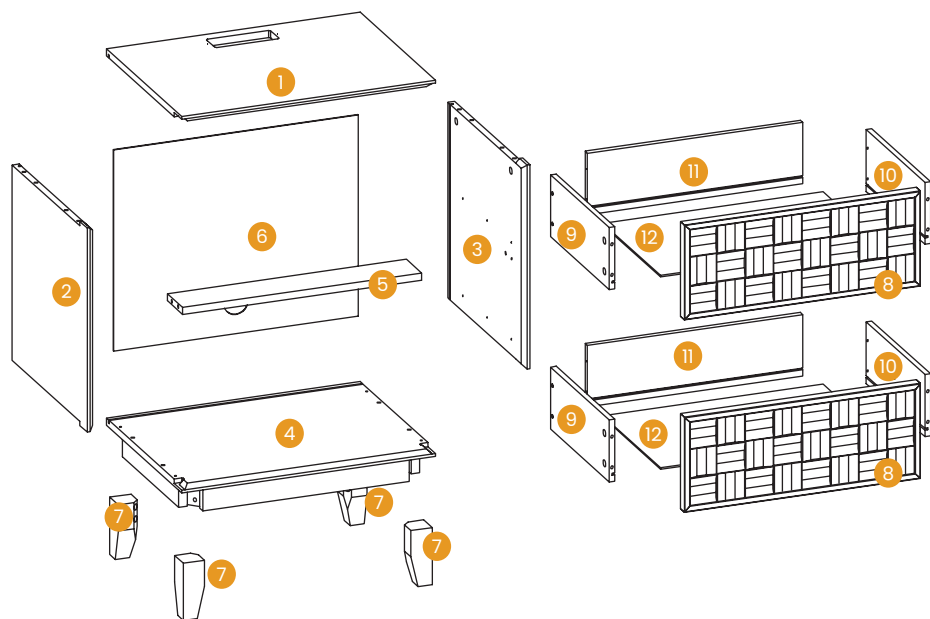
# COLAMY



**VGR-BEN01**

**NIGHTSTAND**

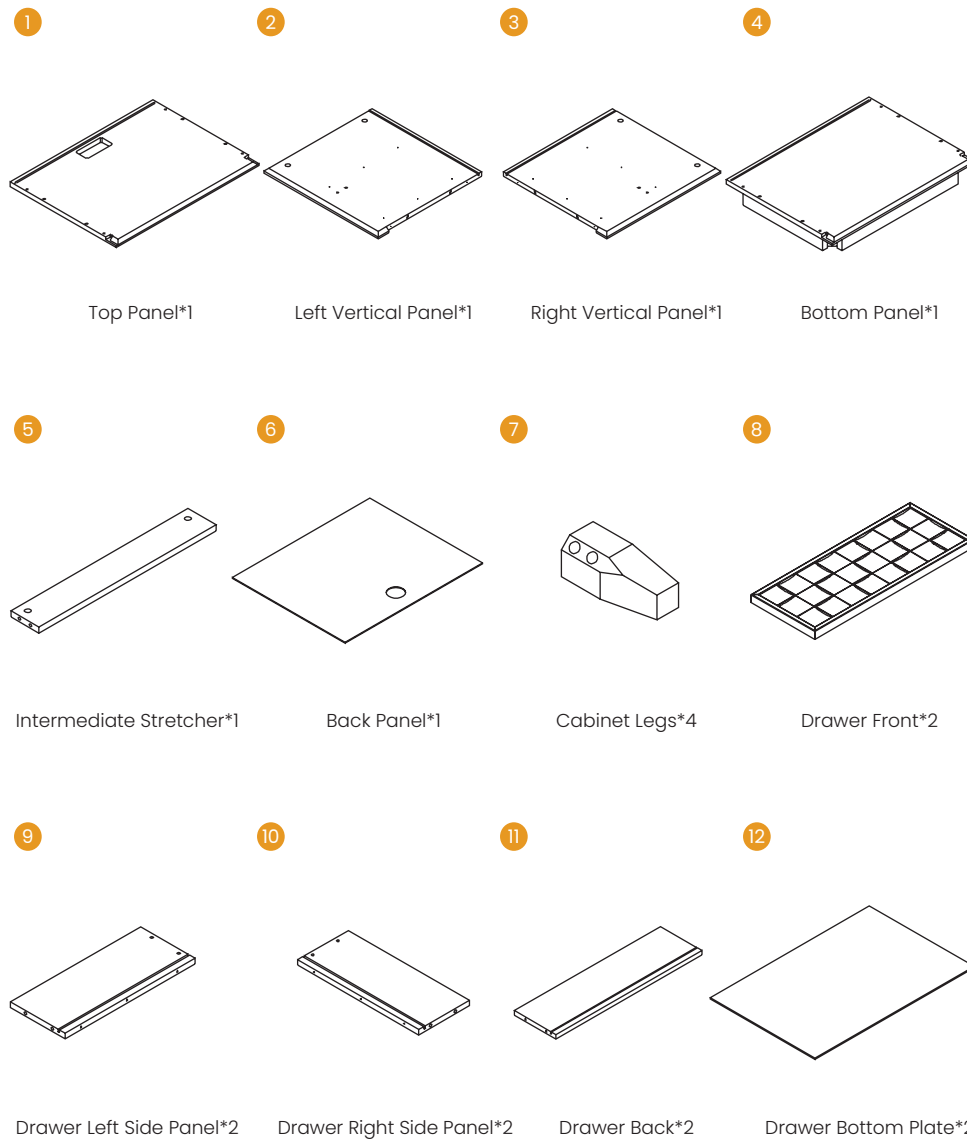
**TECHNICAL EXPLODED VIEW DIAGRAM**



**PANEL COMPONENTS INVENTORY**

PLEASE MAKE SURE ALL THE PARTS ARE INCLUDED.

MISSING PARTS?  
[support@colamyhome.com](mailto:support@colamyhome.com)



**HARDWARE COMPONENTS INVENTORY**

PLEASE MAKE SURE ALL THE PARTS ARE INCLUDED.

MISSING PARTS?  
support@colamylhome.com

- |   |   |   |  |  |
|---|---|---|--|--|
| <b>A</b><br><br>Large Hidden Cam*6(+2) | <b>B</b><br><br>Cam Screw *14(+2)    | <b>C</b><br><br>Wood Dowel<br>ø8X30mm*10(+2)         | <b>D</b><br><br>Flat Head Screw<br>#6.5X1/2" *30(+5)  | <b>E</b><br><br>Hex Head Screw<br>M6X55mm *8(+2) |
| <b>F</b><br><br>Flat Washers*8(+2)     | <b>G</b><br><br>Spring Washers*8(+2) | <b>H</b><br><br>Flat Head Screw<br>#10X1-1/2"*12(+2) | <b>I</b><br><br>Small Hidden Cam<br>Black*8(+2)       | <b>J</b><br><br>American Style<br>Socket*1        |
| <b>K</b><br><br>Pull*2                 | <b>L</b><br><br>L-Wrench*1           | <b>M</b><br><br>Back Connector*4(+1)                 | <b>N</b><br><br>Back Flat Head<br>Screw#6*5/8" *4(+1) | <b>O</b><br><br>Felt Disc *4                      |
| <b>CL</b><br><br>Cabinet Left *2     | <b>CR</b><br><br>Cabinet Right*2   | <b>DR</b><br><br>Drawer Right*2                    | <b>DL</b><br><br>Drawer Left *2                     |  |

BEFORE YOU GET STARTED, A FEW POINTERS:



Having a friend to help makes assembly extra-easy



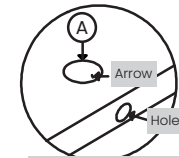
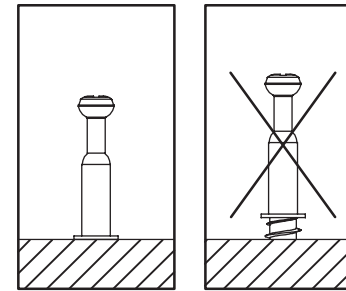
Mind the important safety information

**ASSEMBLY INSTRUCTIONS**

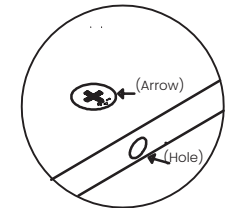
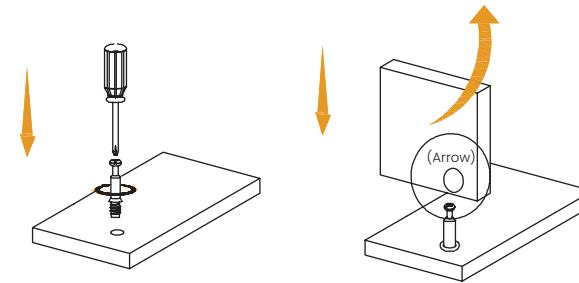
**Important:**

1. Before assembly, arrange all panel components and hardware fittings in sequential order and verify quantity counts.
2. If WOOD DOWEL joints exhibit loose fit, apply wood adhesive (customer-supplied) to enhance fastener bond strength.
3. Please install HIDDEN CAM and CAM SCREW according to the installation method shown in the diagram below.

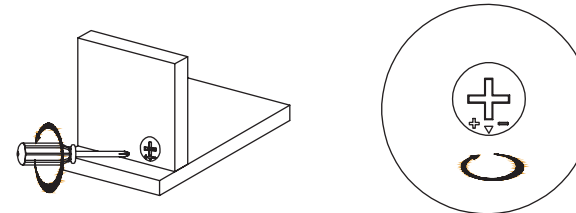
Torsionally tighten CAM SCREW until threads are no longer visible



The arrow in the HIDDEN CAM must point toward the hole in the edge of the board.



The arrow in the HIDDEN CAM must point toward the hole in the edge of the board

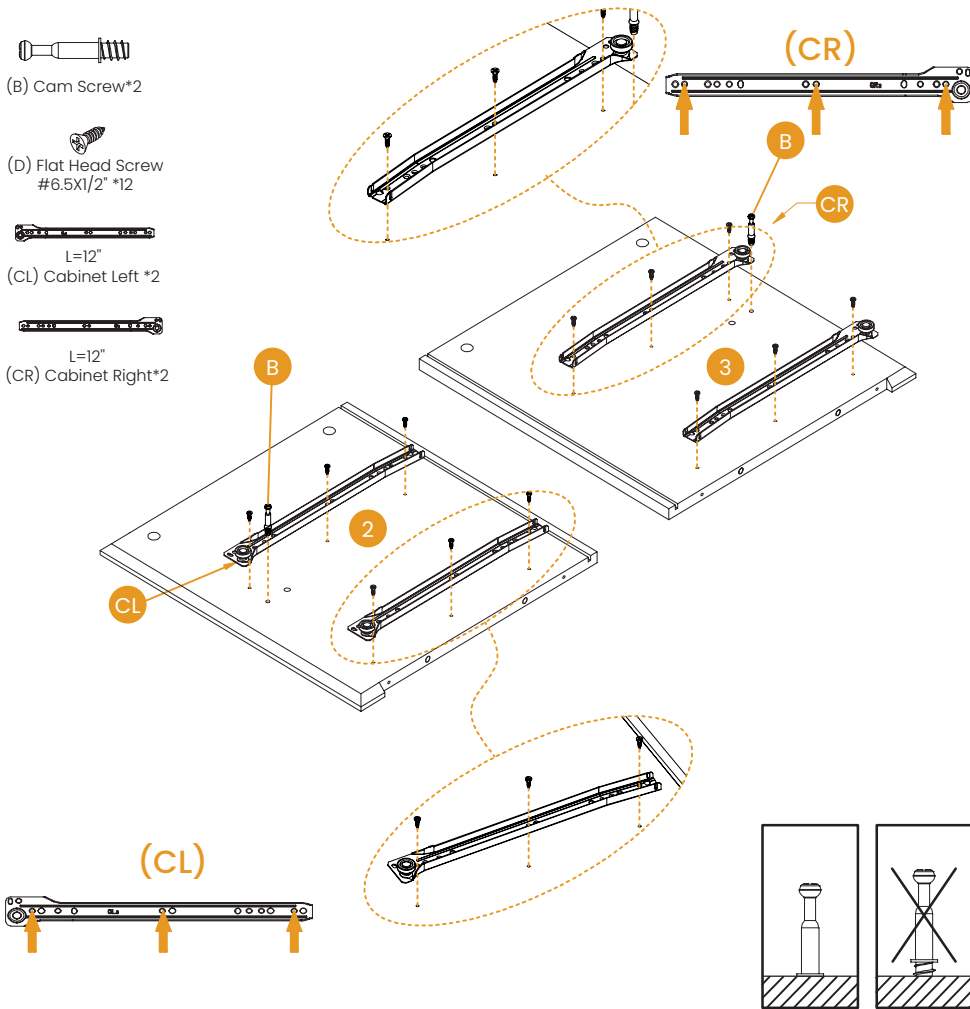


**ASSEMBLY INSTRUCTIONS**

**STEP 1** Install rails CL and CR onto the Left Vertical Panel (Panel #2) and Right Vertical Panel (Panel #3) respectively. Securely install 1 CAM SCREW to Each Panel.

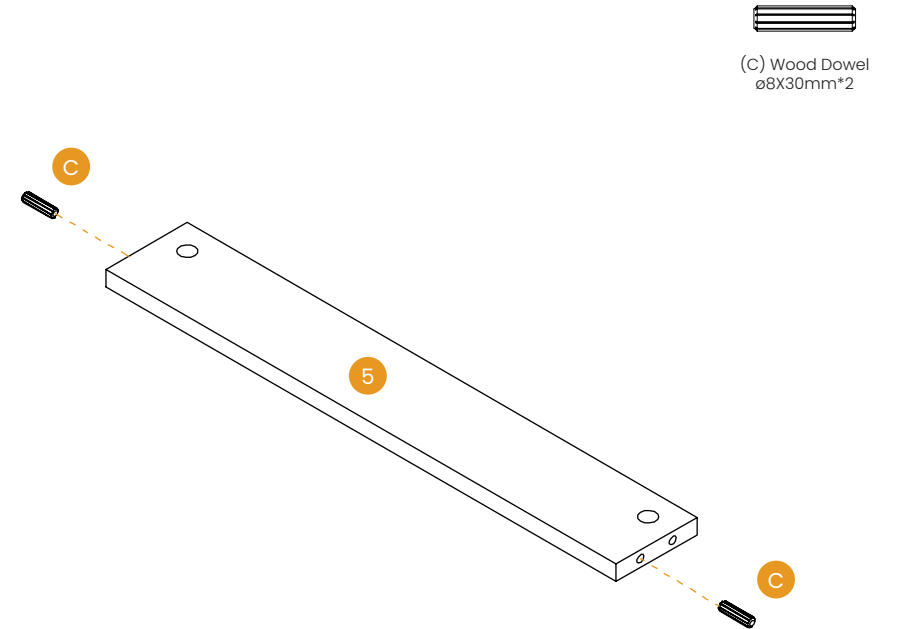
**Notes:**

1. Orient the roller-equipped ends of rails CL/CR toward the non-grooved sides of panels, aligning mounting holes as illustrated
2. CAUTION: Avoid inserting CAM SCREWS into WOOD DOWEL receptacles.



**ASSEMBLY INSTRUCTIONS**

**STEP 2** Insert one WOOD DOWEL at each end of Intermediate Stretcher (Panel #5).

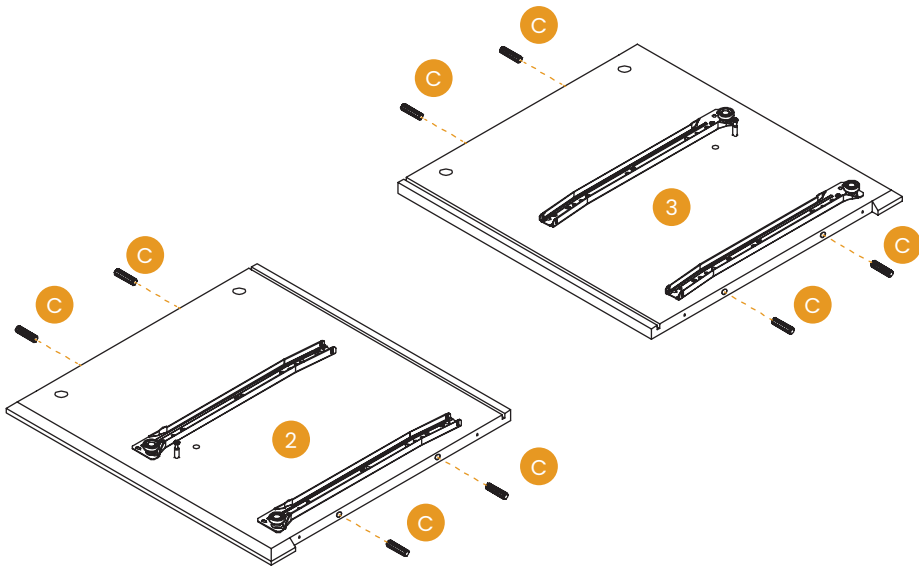


## ASSEMBLY INSTRUCTIONS

**STEP 3** Insert two WOOD DOWELS at both ends of Left Vertical Panel and Right Vertical Panel (#2&3).



(C) Wood Dowel  
ø8X30mm\*8



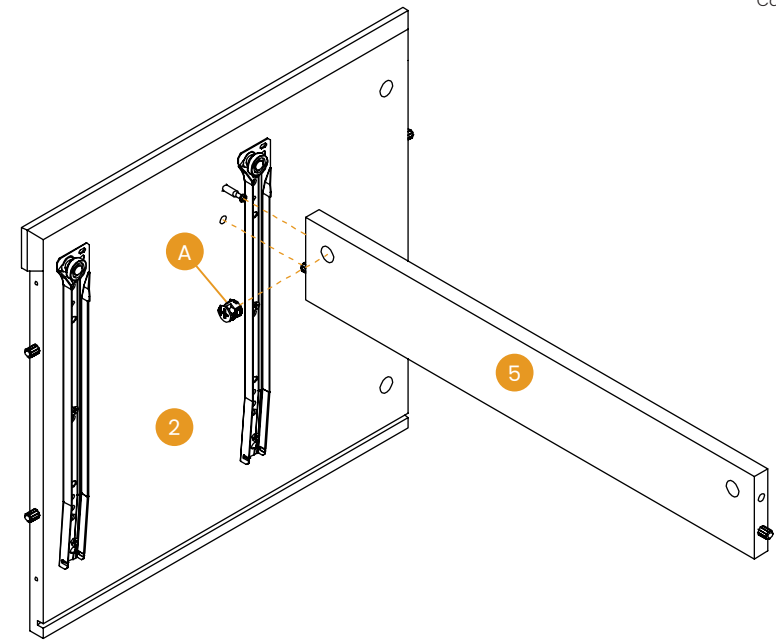
## ASSEMBLY INSTRUCTIONS

**STEP 4** Secure Panel #2 to Panel #5.

**Note:** Position Panel #5's raw edge toward Panel #2's groove, with cam hole surface facing the guide rail the rail farthest from it.



(A) Large Hidden Cam\*1



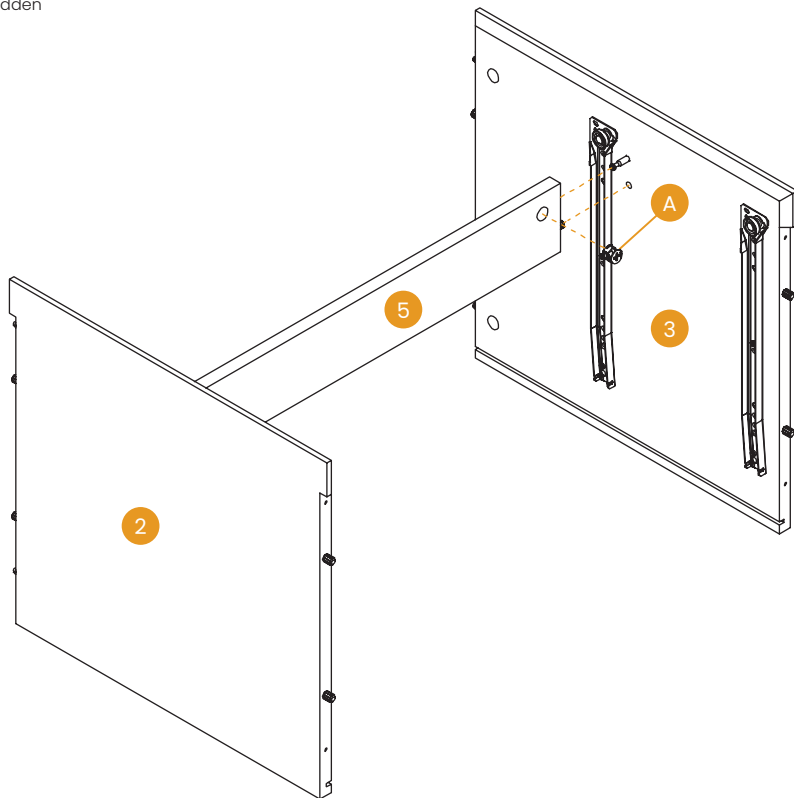
**ASSEMBLY INSTRUCTIONS**

**STEP 5** Secure Panel #3 to Panel #5.

Note: Ensure Panel #3's groove aligns with Panel #2's groove orientation.



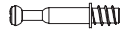
(A) Large Hidden Cam\*1



**ASSEMBLY INSTRUCTIONS**

**STEP 6** Install four CAM SCREWS on Top Panel (#1).

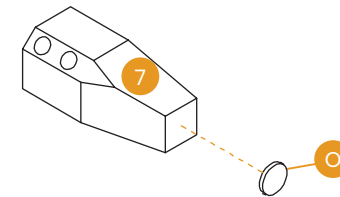
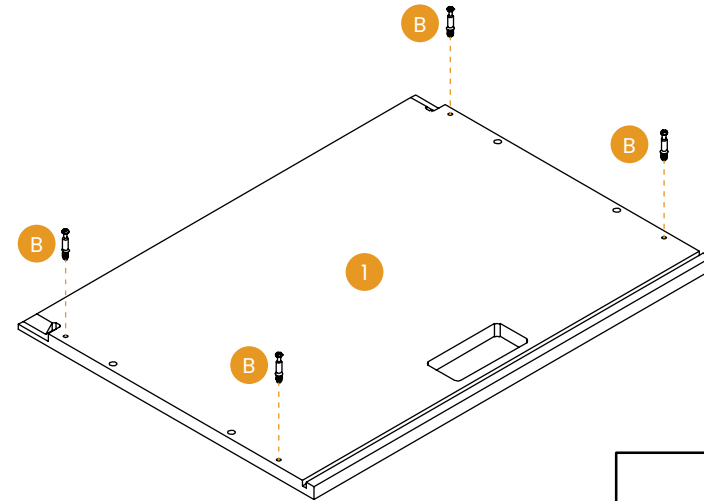
Apply adhesive pads O to cabinet leg bases.



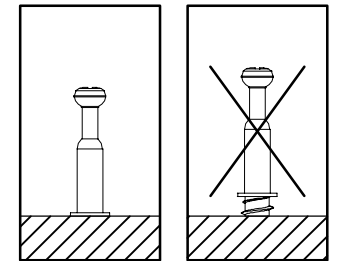
(B) Cam Screw\*4



(O) Felt Disc \*4



**X4**

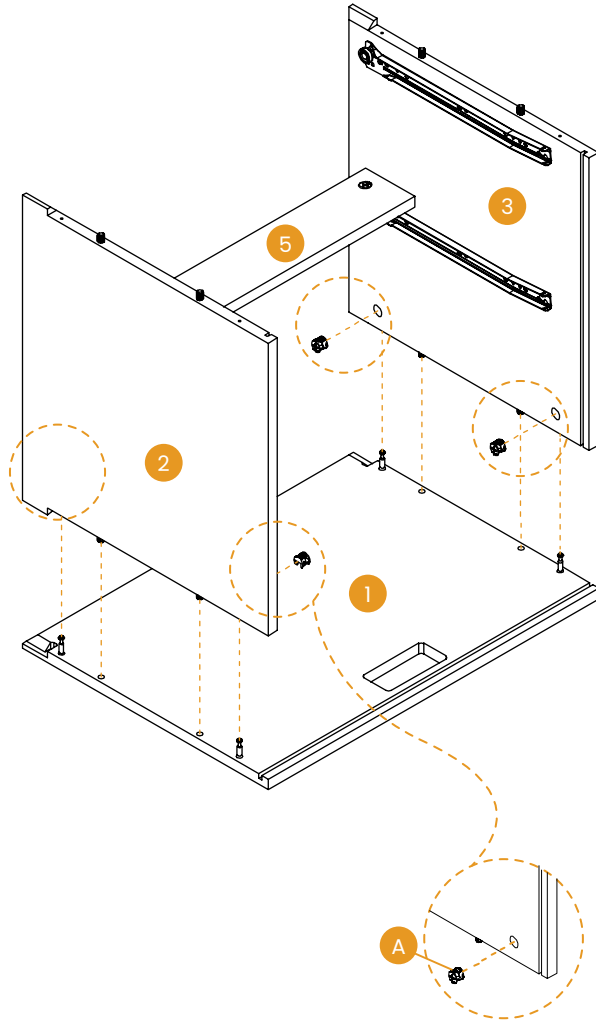


## ASSEMBLY INSTRUCTIONS

- STEP 7** Attach assembled unit (Panels #2-5-3) to Panel #1 using four Fasteners (A).  
 Note: Maintain precise alignment of groove channels across Panels 1/2/3.

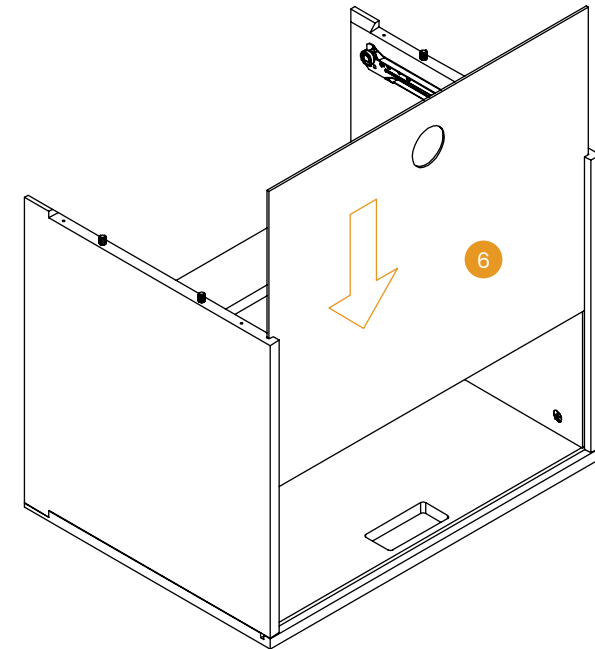


(A) Large Hidden Cam\*4



## ASSEMBLY INSTRUCTIONS

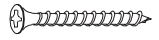
- STEP 8** Insert Back Panel (#6) into groove channel.  
 Note: Orient Panel #6's cable port upward during installation.



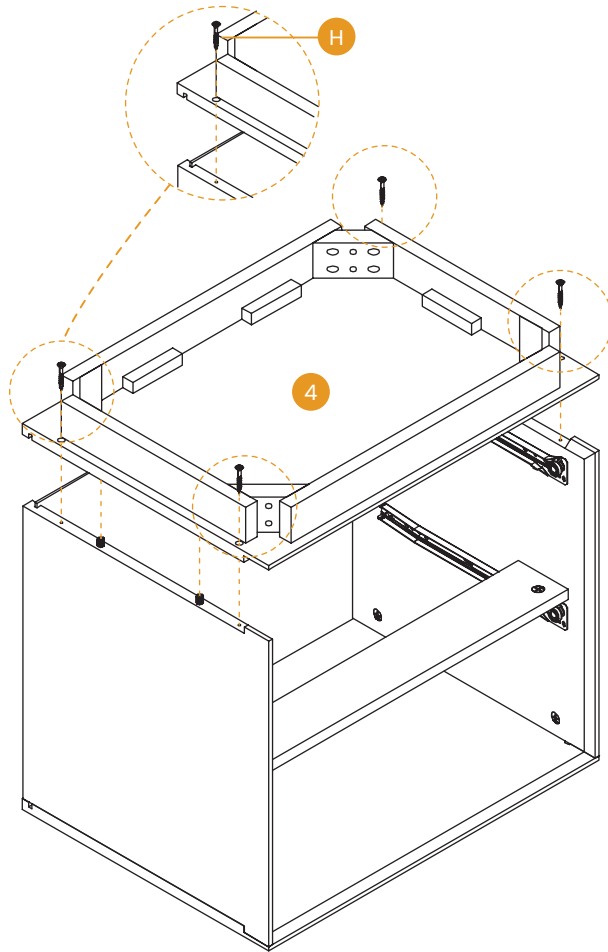
**ASSEMBLY INSTRUCTIONS**

**STEP 9** Mount Bottom Panel (#4, bottom surface upward) onto assembly, securing with four self-tapping screws.

Note: Engage Panel #4's groove channel with Panel #6.

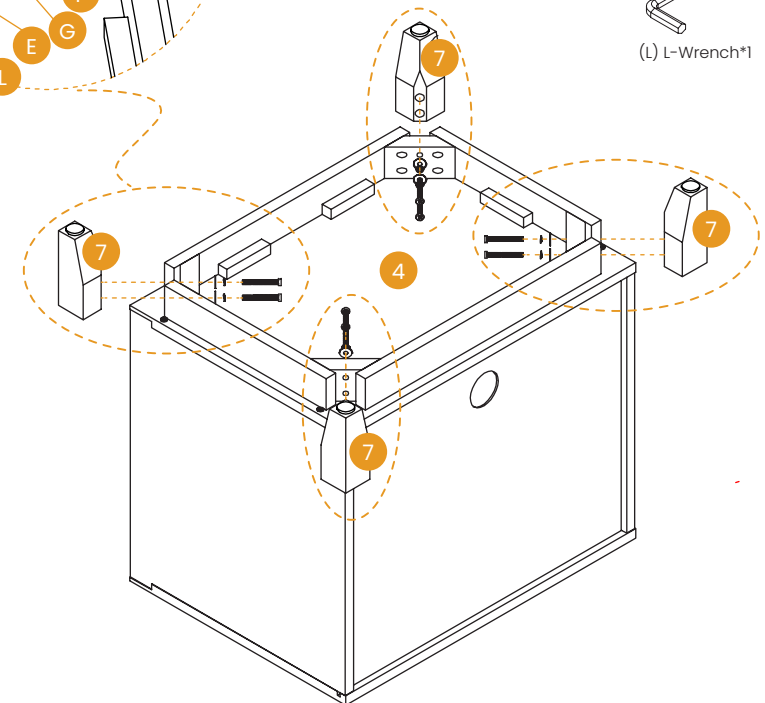
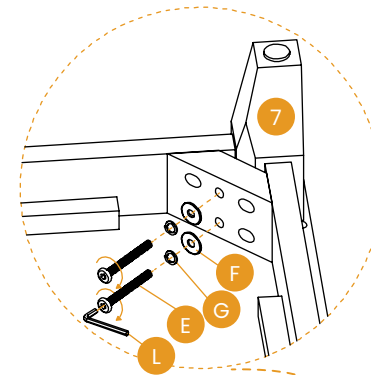


(H) Flat Head Screw  
#10X1-1/2\*4



**ASSEMBLY INSTRUCTIONS**

**STEP 10** Install four cabinet legs.



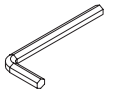
(E) Hex Head Screw  
M6X55mm \*8



(F) Flat Washers\*8



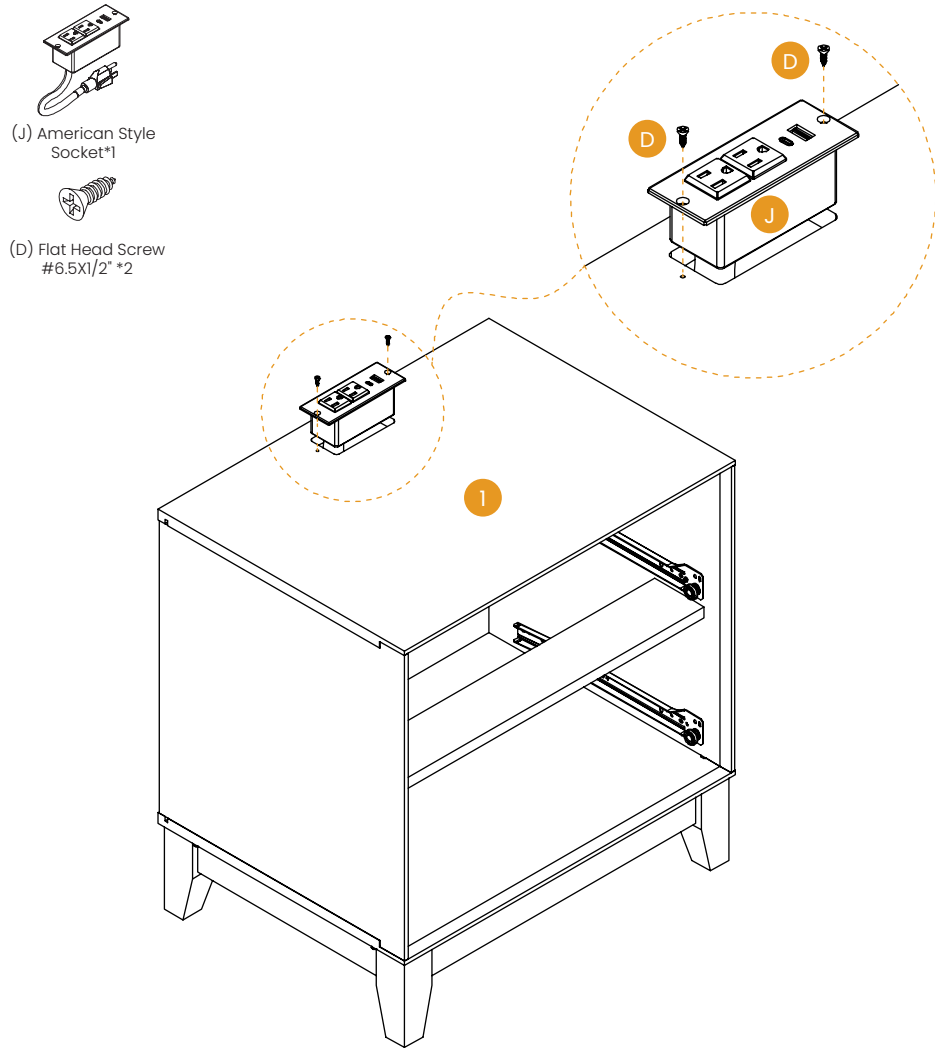
(G) Spring Washers\*8



(L) L-Wrench\*1

**ASSEMBLY INSTRUCTIONS**

**STEP 11** Install electrical socket components.



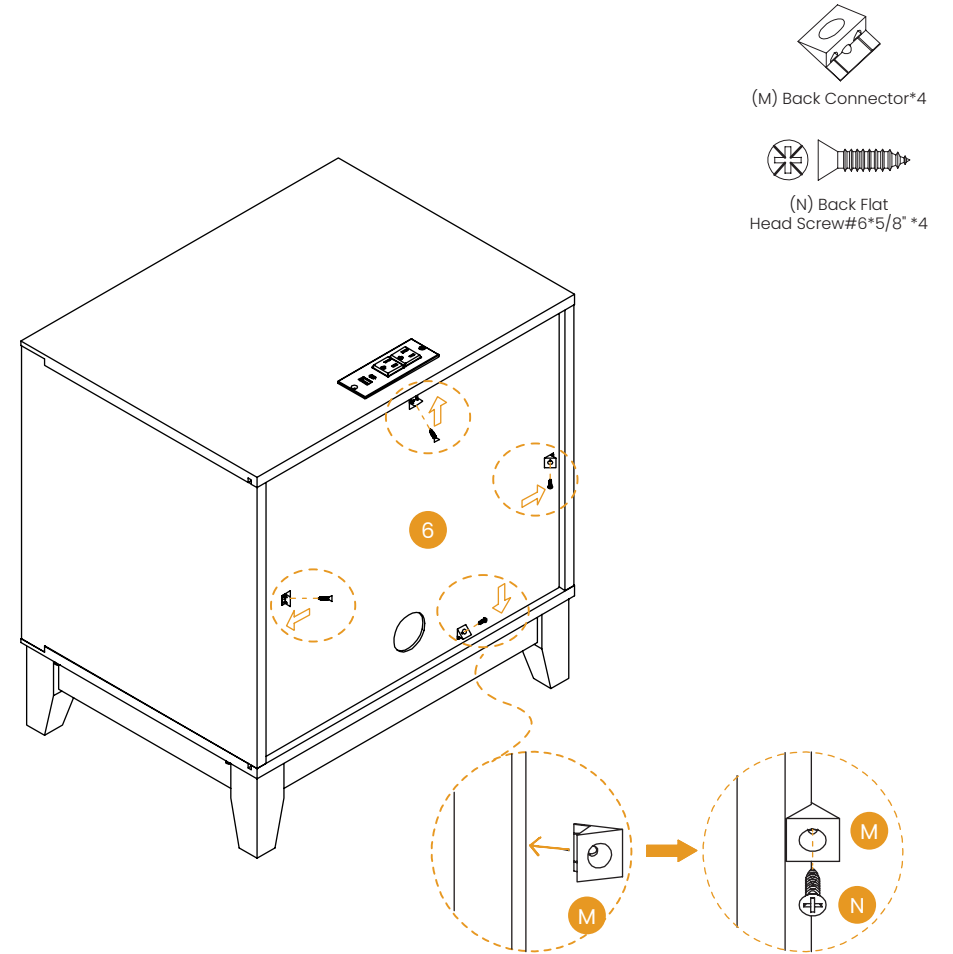
(J) American Style Socket\*1

(D) Flat Head Screw #6.5X1/2" \*2

**ASSEMBLY INSTRUCTIONS**

**STEP 12** Attach back panel connectors.

Note: Insert BACK CONNECTOR into rear panel slots per illustration.



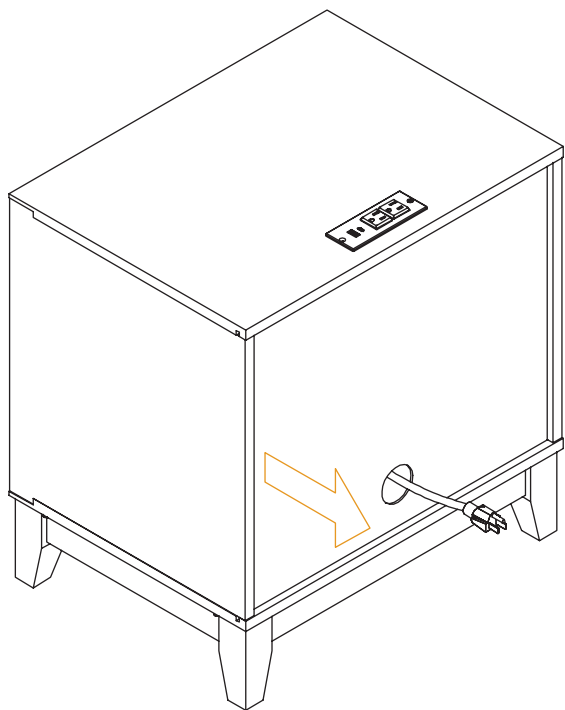
(M) Back Connector\*4

(N) Back Flat Head Screw#6\*5/8" \*4

**ASSEMBLY INSTRUCTIONS**

**STEP 13** Route power cord through access port.

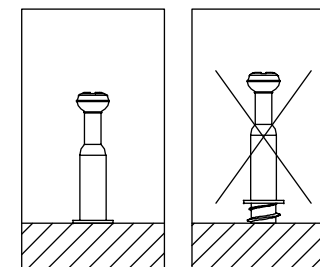
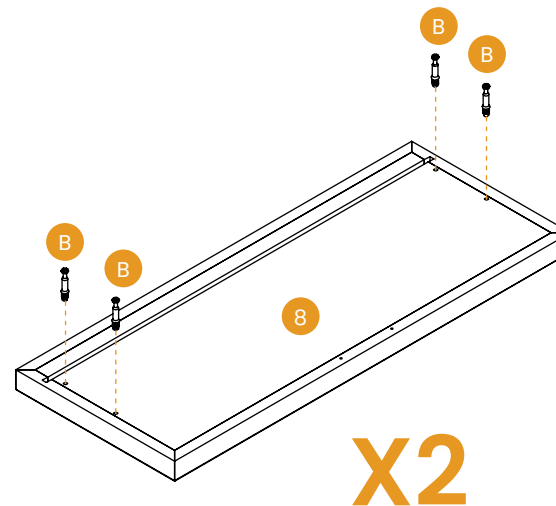
**CAUTION:** Exercise gentle handling when threading cord through fragile Panel #6.



Pull out the power cord

**ASSEMBLY INSTRUCTIONS**

**STEP 14** Secure four CAM SCREWS per drawer front.



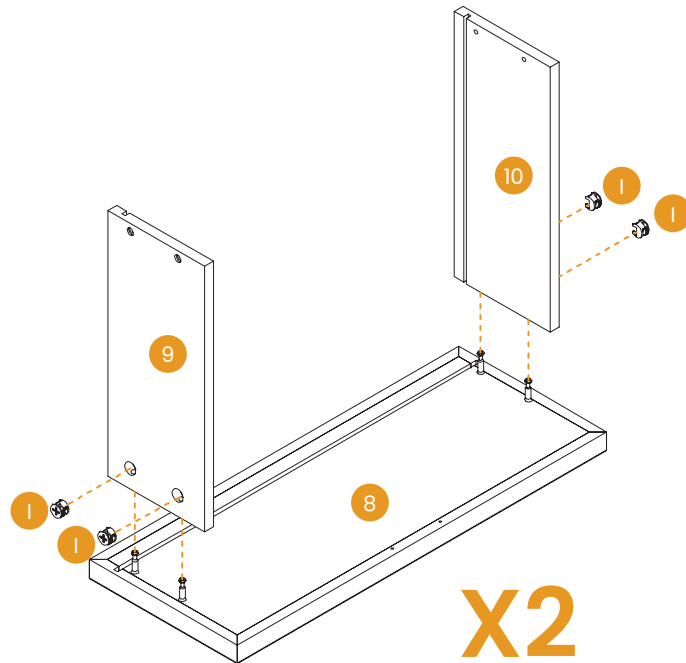
## ASSEMBLY INSTRUCTIONS

**STEP 15** Assemble Drawer Left Side Panel (#9) and Drawer Right Side Panel (#10) to Drawer Front (#8) using black SMALL HIDDEN CAMS.

Note: Orient cam holes on Panels #9/10 outward.

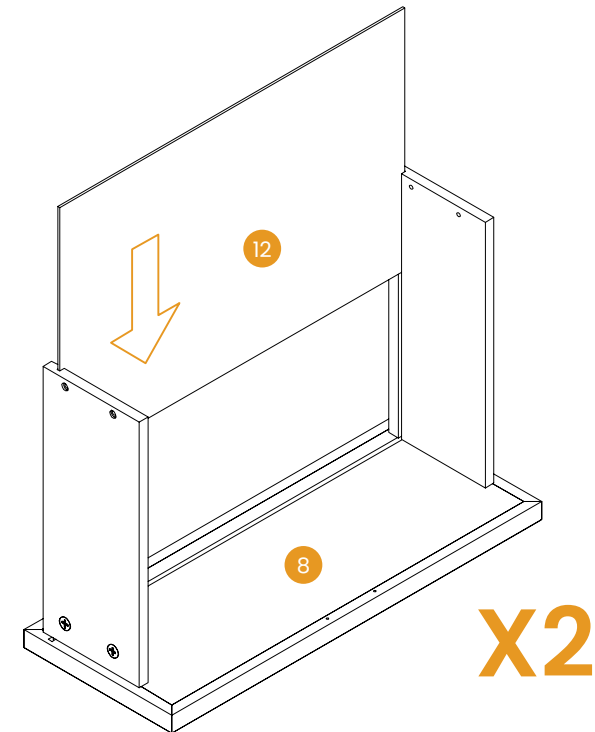


(1) Small Hidden Cam  
Black\*8



## ASSEMBLY INSTRUCTIONS

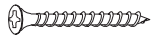
**STEP 16** Insert Drawer Bottom Plate (Panel #12) into groove channels.



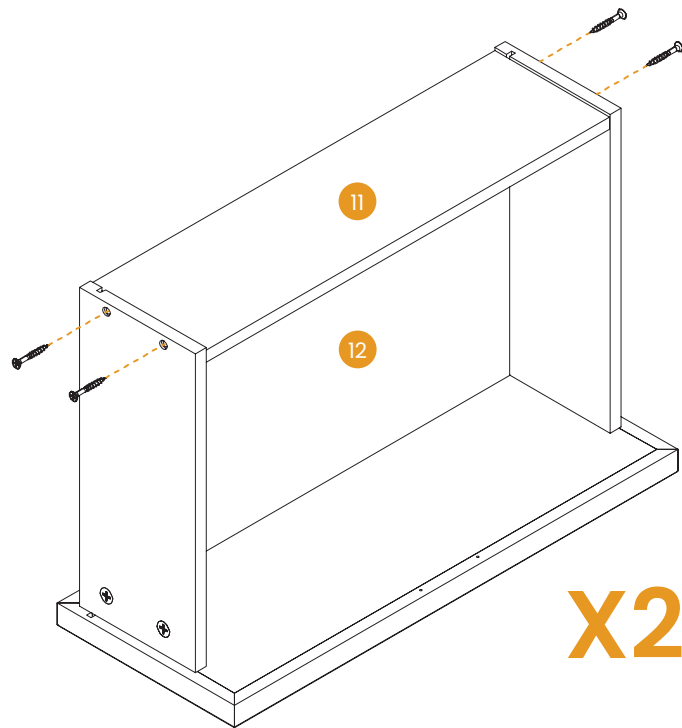
**ASSEMBLY INSTRUCTIONS**

**STEP 17** Install Drawer Back (Panel #11) with four self-tapping screws.

Note: Engage Panel #11's channel with Panel #12.



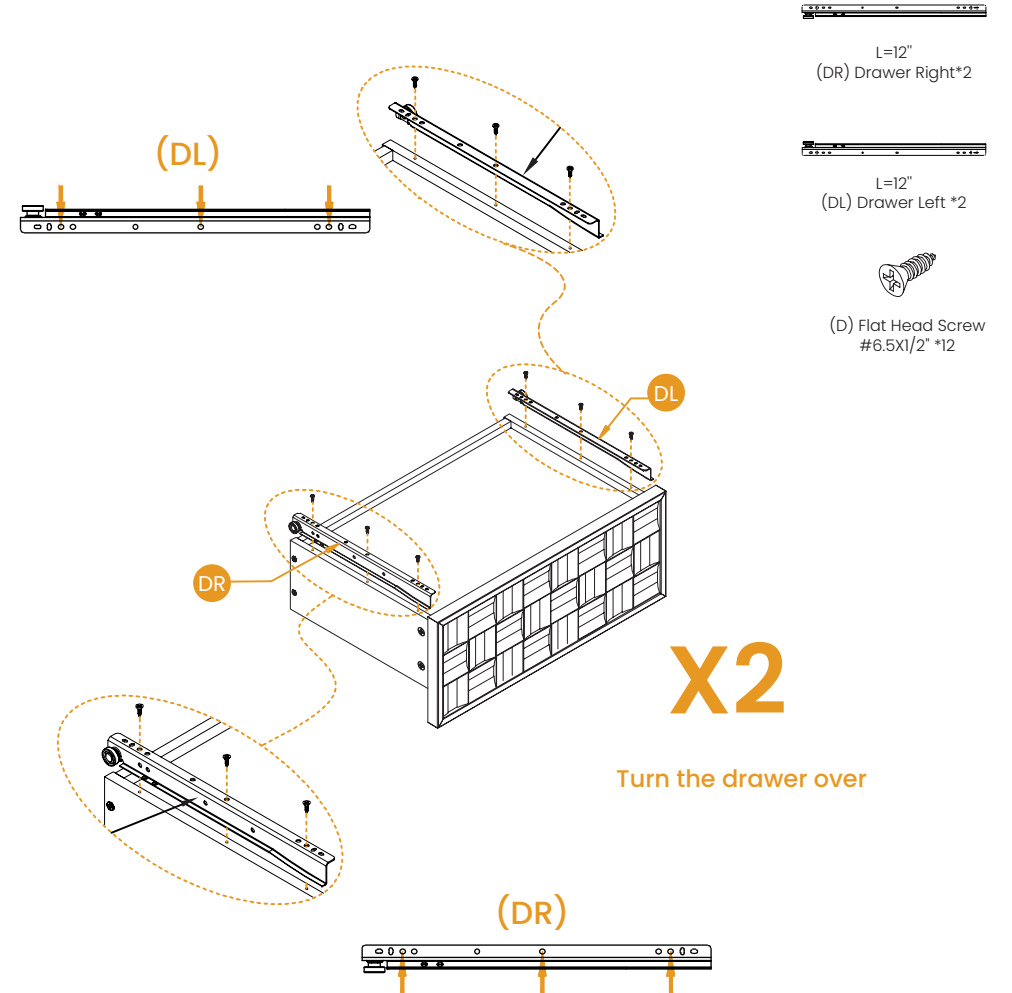
(H) Flat Head Screw  
#10X1-1/2\*8



**ASSEMBLY INSTRUCTIONS**

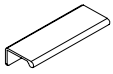
**STEP 18** Invert drawer (back facing upward), install rails DL/DR.

Note: Align roller ends toward drawer back, matching hole patterns as shown.



**ASSEMBLY INSTRUCTIONS**

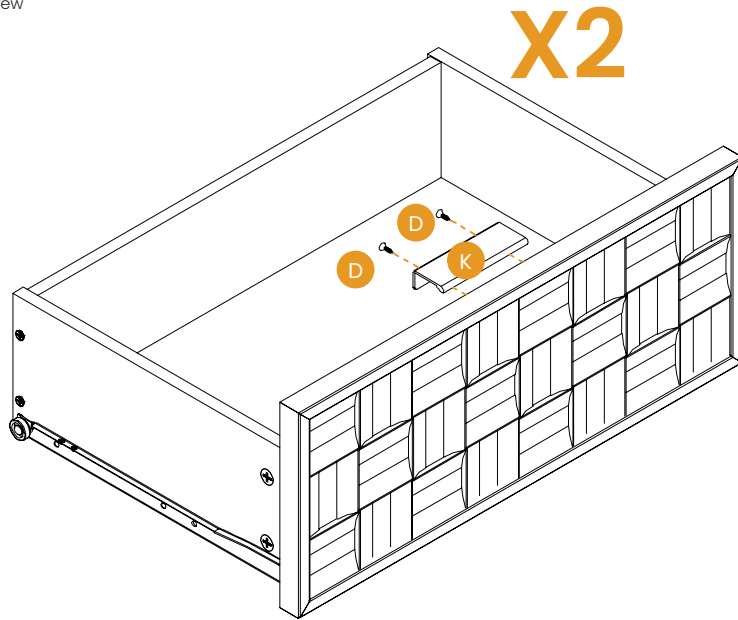
**STEP 19** Attach drawer pulls.



(K) Pull\*2



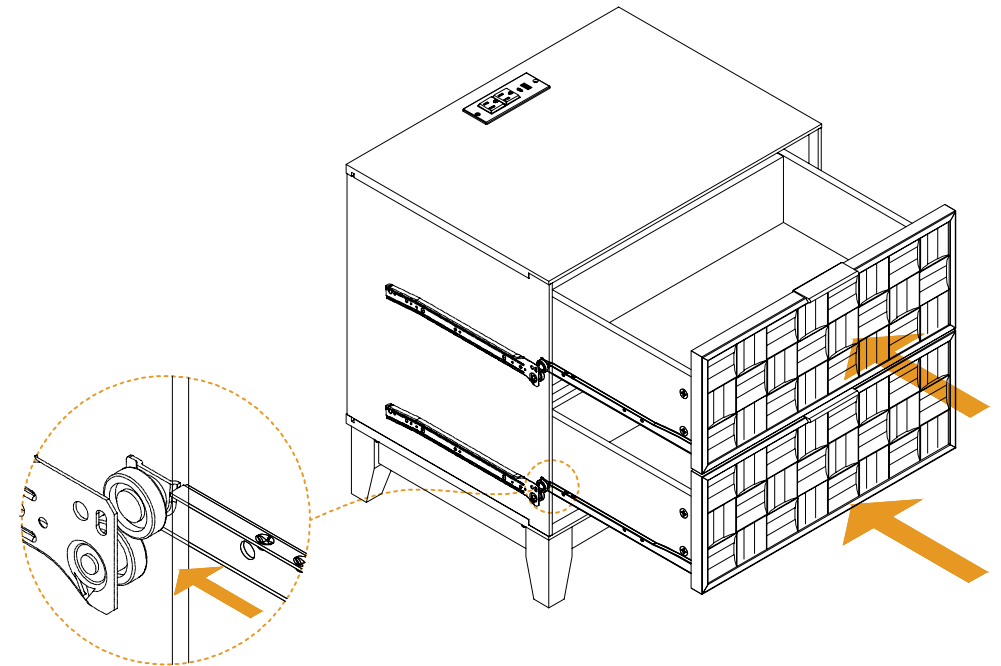
(D) Flat Head Screw  
#6.5x1/2" \*12



**ASSEMBLY INSTRUCTIONS**

**STEP 20** Install drawers into cabinet.

Note: Horizontally engage drawer rails DL/DR with cabinet rails CL/CR per diagram.



Slide the Drawer into the Frame.

**LIMITED WARRANTY**

COLAMY promises to repair or replace any COLAMY nightstand that is found to be defective in material or workmanship within one year from the date of original purchase, as long as you, the original purchaser, still own it. This is your sole and exclusive remedy under this warranty, subject to the provisions outlined below.

**EXCLUSIONS**

This warranty does not apply to, and no other warranty applies to:

- Normal wear and tear, which is to be expected over the course of ownership.
- Misuse, abuse, or excessive use of the product.
- Modifications or attachments to the product that are not approved by COLAMY.
- Products that were not installed, used, or maintained in accordance with the product instructions and warnings.
- Products used for rental purposes or unauthorized retail activities.

**RETURN POLICY**

We offer a 30-day return policy, meaning that all products purchased through this website may be returned to us within that timeframe. You must contact us within 30 days of receiving the product(s), and they must be returned to us without any undue delays.

**CONDITIONS:**

- Returned products must be in the same condition as received and returned in their original packaging.
- If the product is not faulty (i.e., if you change your mind or are unhappy with the product for another reason), you are responsible for the cost of return shipping. You must ensure the package arrives safely to us, so we recommend using a courier service that offers tracking.
- If the product is faulty when received, please contact us, and we will assist you with the return, covering the shipping costs in this case.

**LIMITED WARRANTY**

- We reserve the right to offer partial refunds for returned products that are not in unused condition, are damaged, or have missing parts not due to our error.

**HOW RETURNS WORK**

To request a return, please fill out the contact form on our website and attach a copy of your invoice as proof of purchase, along with the reason for the return.

We will provide the return address for the product as soon as possible. Once the returned product is received and inspected, we will provide a specific resolution.

If the return is approved, the refund amount will be automatically credited to your original payment method.

**MAINTENANCE INSTRUCTIONS**

Dust and clean up spills immediately using a clean, non-colored, lint-free cloth.



For indoor use only. Do not place the furniture outside.



Do not place hot items directly on the furniture surface without using a protective barrier.



Do not place furniture near heating or cooling vents (keep at least 3 feet away)



Do not place furniture in direct sunlight.



YouTube | ASSEMBLY VIDEO

colamyhome.com  
support@colamyhome.com  
+1(888) 886-1743