

FIGURE 1.

IMPORTANT STEP BY STEP INSTRUCTIONS:

1. After you have unpacked the clock

Release pendulum hanger from its shipping retainer by lifting up on the bottom end.
pendulum hanger can now swing freely. (see FIGURE 1.)

2. To start clock

Insert two fresh 1.5 volt “AA” alkaline battery in accordance with the ⊕ and ⊖ diagram in the battery chamber as shown in (FIGURE 1.).

3. To set time

Set hands to the correct time by turning the hand set knob on the back of the movement as shown in (FIGURE 1.).

4. To attach pendulum

Hang the pendulum on the pendulum hanger as shown in (FIGURE 2.).

HANG CLOCK ON WALL IN A TRUE VERTICAL POSITION.
VERTICAL ALIGNMENT IS NECESSARY FOR PROPER OPERATION OF THE PENDULUM.

PUT THE PENDULUM IN MOTION BY GIVING IT A GENTLE SWING.

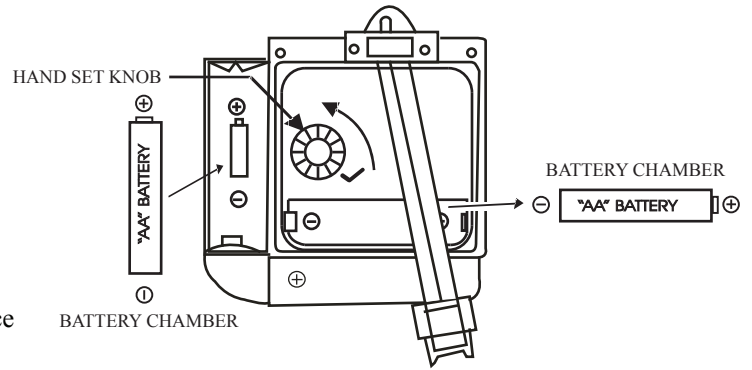
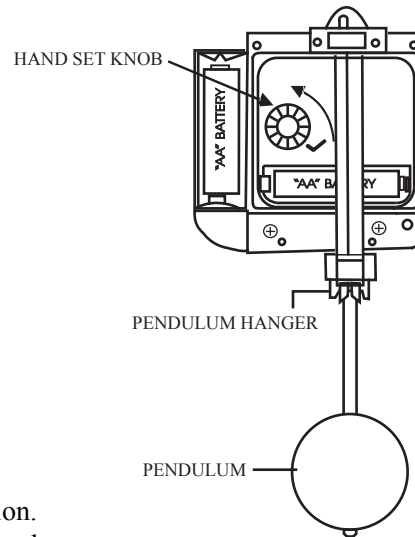


FIGURE 2.

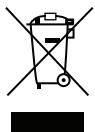


Battery Warnings.

1. Non-rechargeable batteries are not to be recharged.
2. Rechargeable batteries are to be removed before being charged.
3. Rechargeable batteries are only to be charged under adult supervision.
4. Different types of batteries or new and used batteries are not to be mixed.
5. Only batteries of the same or equivalent type as recommended are to be used.
6. Exhausted batteries must be removed.
7. Supply terminals must not be short circuited.
8. “Do not dispose of batteries in a fire, batteries may explode or leak.
9. Battery removal at the end of the product’s useful life. Remove the battery and disposal of it according to local environmental regulations.

Battery Replacement Instruction.

To change batteries, please take out the old batteries from the batteries compartments. Insert 1.5 volt “AA” batteries in the batteries compartments. Check that the (+) positive and (-) negative terminals correctly match with the symbols on the batteries compartments.



WASTE ELECTRICAL PRODUCTS SHOULD NOT BE DISPOSED OF WITH HOUSEHOLD WASTE.
PLEASE RECYCLE WHERE FACILITIES EXIST.
CHECK WITH YOUR LOCAL AUTHORITY FOR RECYCLING ADVICE.