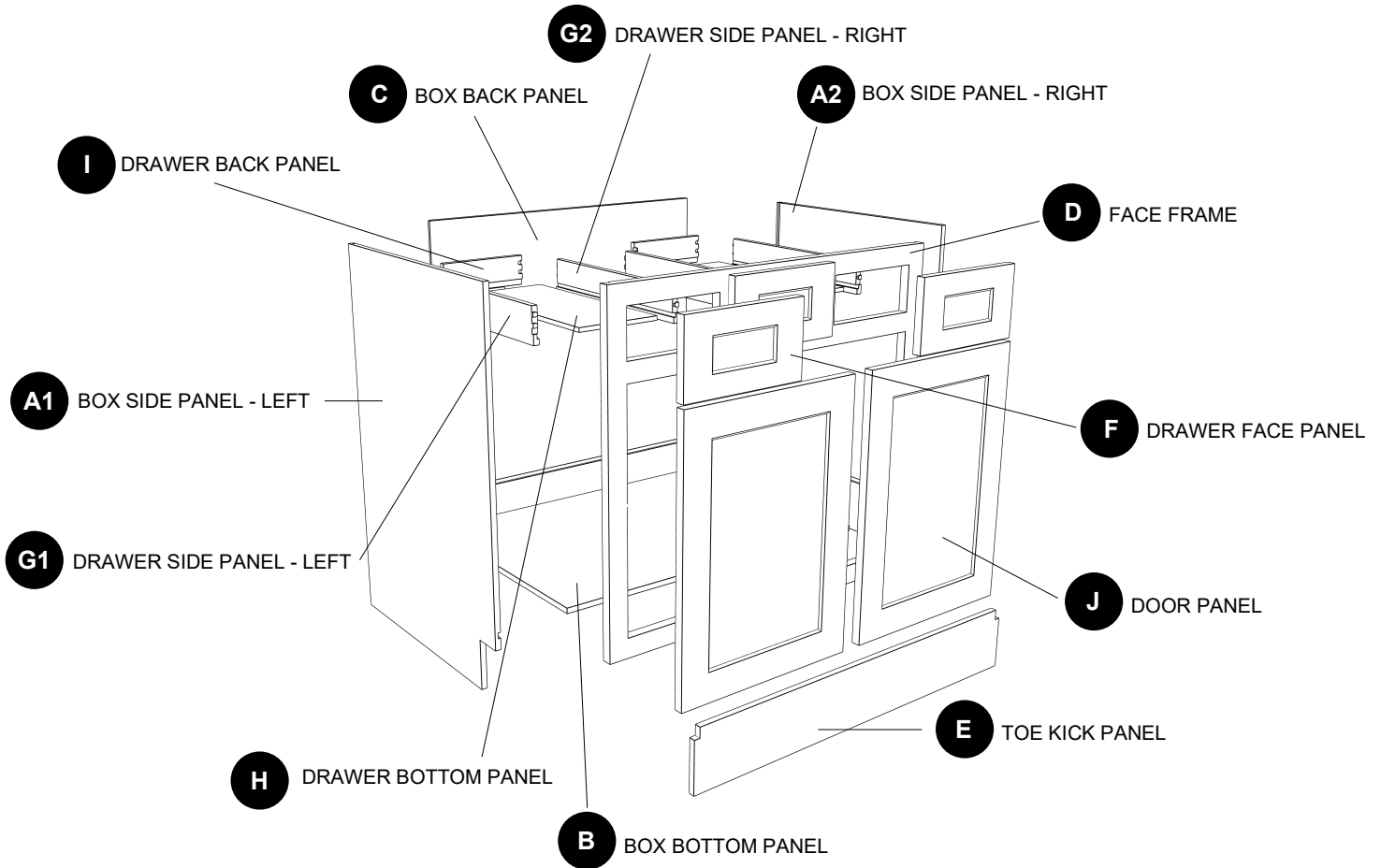


# Vanity Sink Drawer Base Cabinet

## Instruction Manual

MODEL: VSD36-E



| PART | DESCRIPTION            |
|------|------------------------|
| A1   | Box side panel - left  |
| A2   | Box side panel - right |
| B    | Box bottom panel       |
| C    | Box back panel         |
| D    | Face frame             |
| E    | Toe kick panel         |

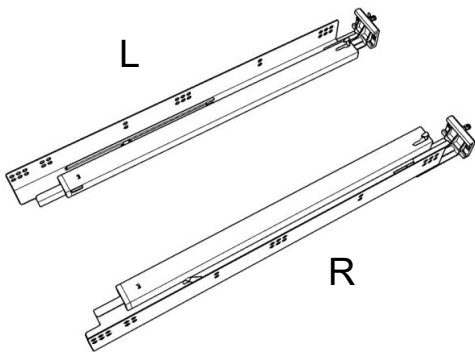
| PART | DESCRIPTION               |
|------|---------------------------|
| F    | Drawer face panel         |
| G1   | Drawer side panel - left  |
| G2   | Drawer side panel - right |
| H    | Drawer bottom panel       |
| I    | Drawer back panel         |
| J    | Door panel                |

# CAUTION

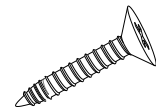
- Be sure to carefully remove all parts from the carton and ensure that there are no damages to any of them.
- The hardware should be kept away from children when unpacking and assembling this product. Two adults are recommended for assembly.
- Follow the instructions in the instruction manual carefully and strictly to ensure that the product is assembled and operates as intended.
- Do not tighten all the screws until all the adjacent parts have been properly connected. Please do not throw away extra screws. Please refer to the actual product for the screw hole position.

## HARDWARE CONTENTS

### AA Glide and runner profile x 4

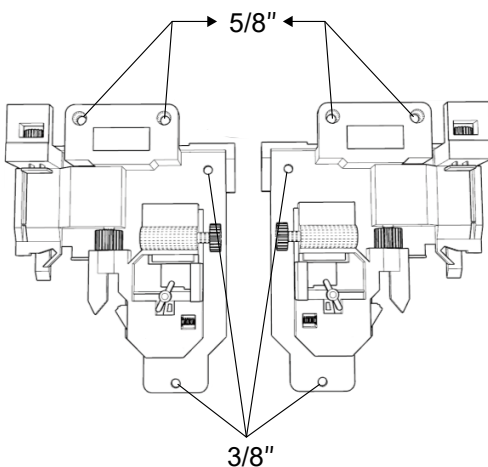


Included:  
5/8" Flat Head Phillips Screw x 20

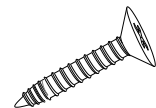


\*Two additional pieces are included as an extra

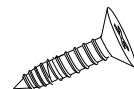
### BB Adjustable drawer clips x 4



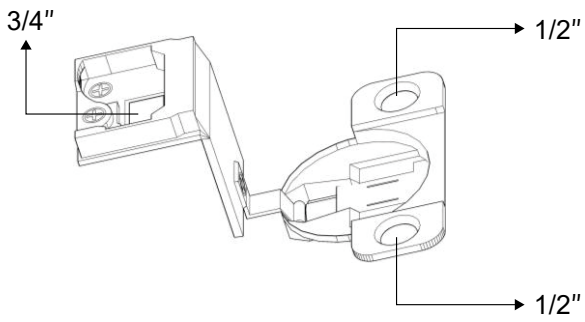
Included:  
5/8" Flat Head Phillips Screw x 8




3/8" Flat Head Phillips Screw x 8




**CC** Soft - close hinge x 4  
Be careful the length of the screws.



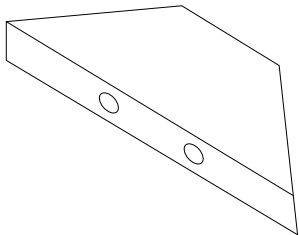
Included:  
1/2" Flat Head Phillips Screw x 8




3/4" Round Head Phillips Screw x 4



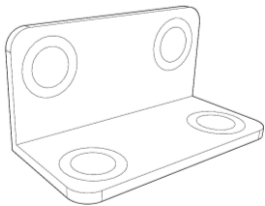
**DD** Wood corner block x 4




Included:  
1" Flat Head Phillips Screw x 8



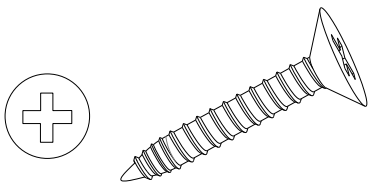
**EE** Corner brace x 13



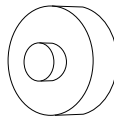
Included:  
1/2" Round Head Phillips Screw x 52



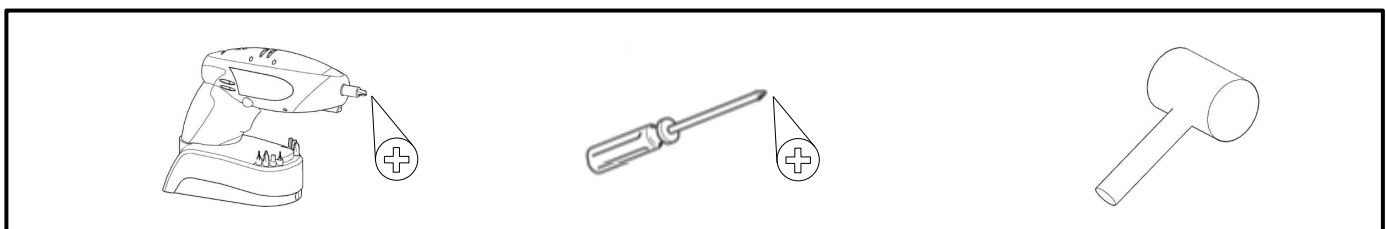
**GG** 1" Flat head Phillips screw x 4



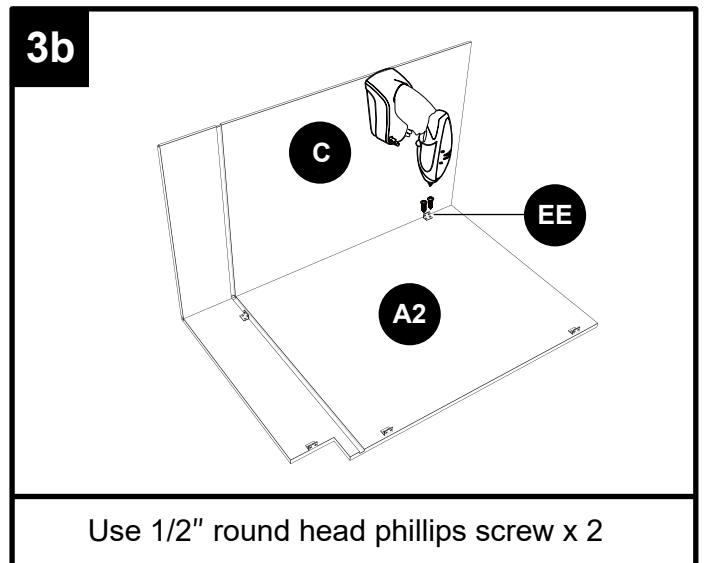
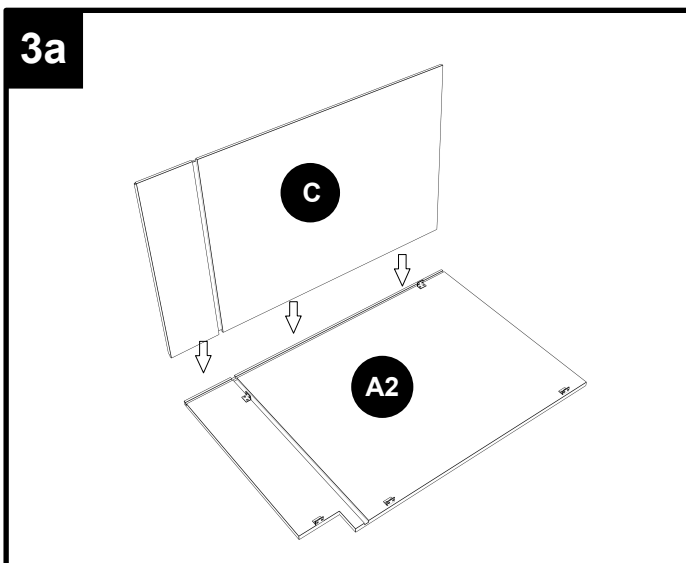
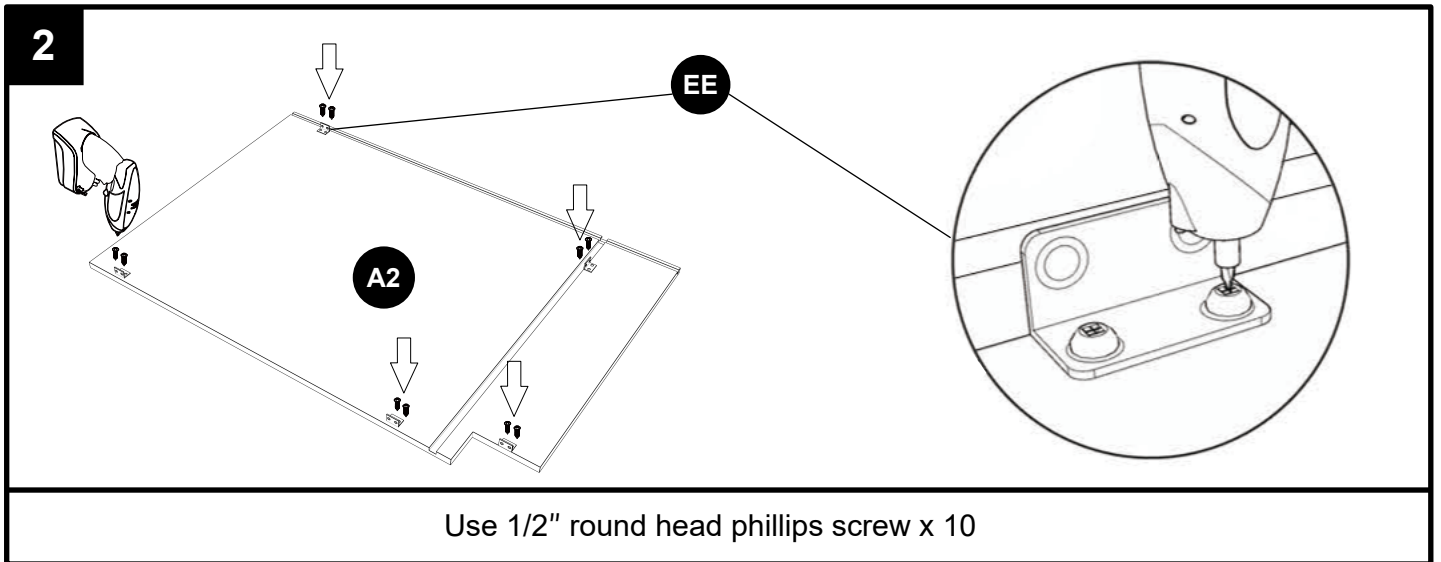
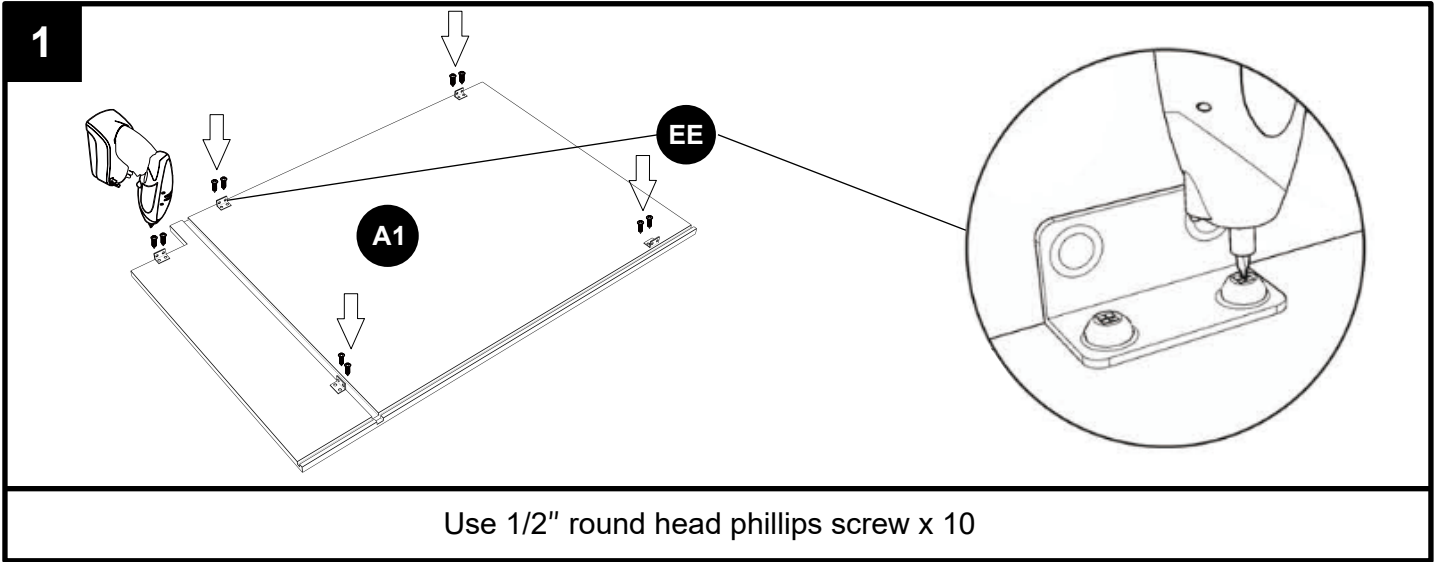
**HH** Rubber bumper x 12

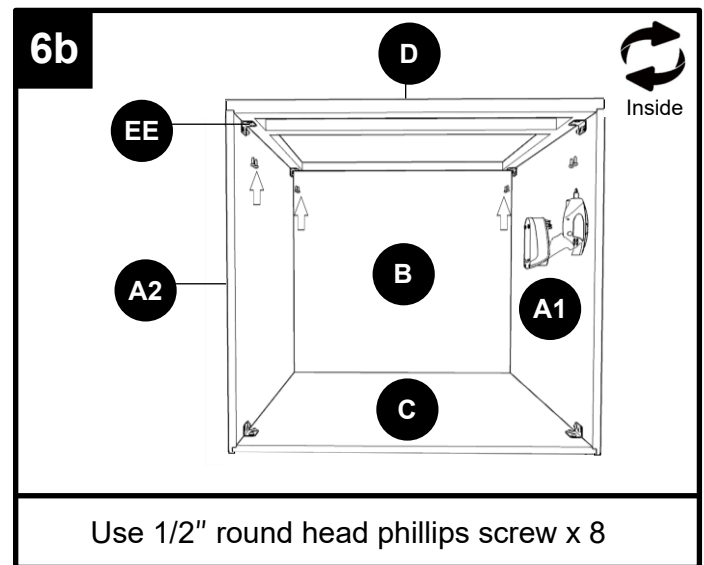
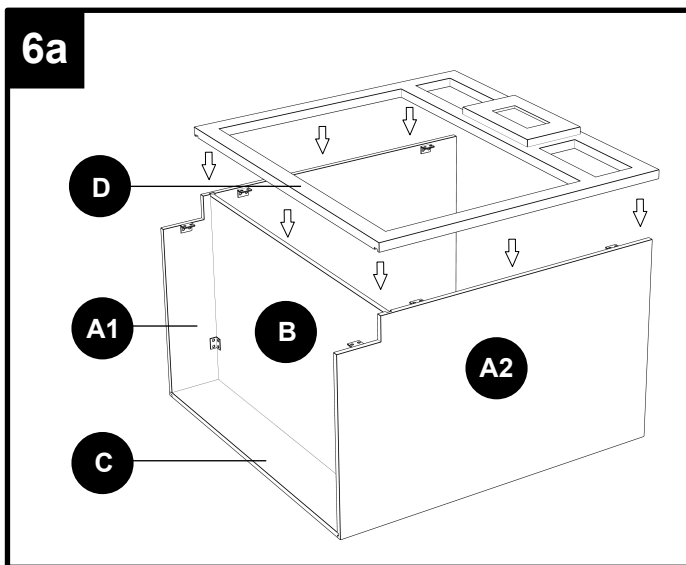
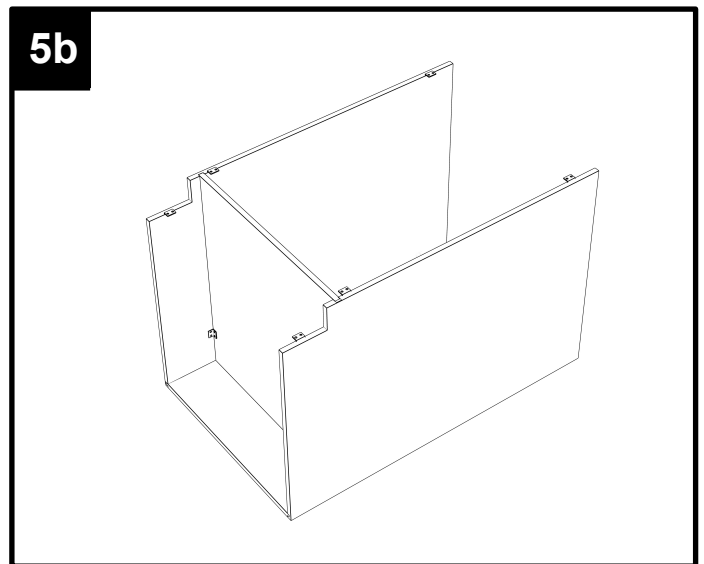
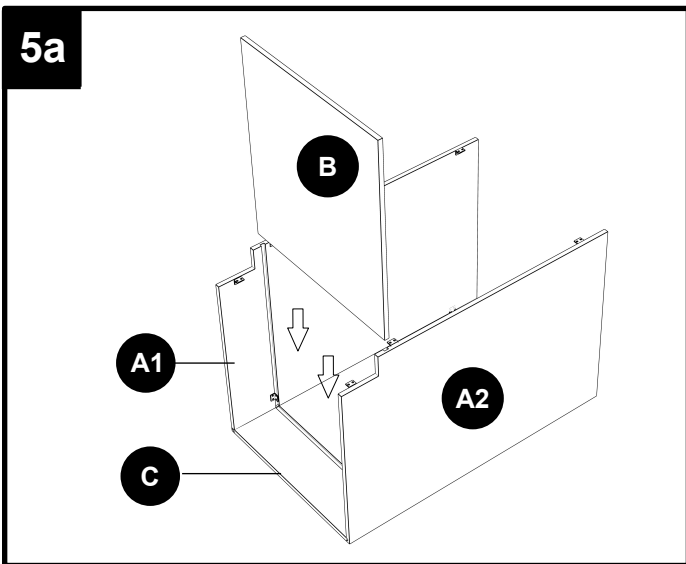
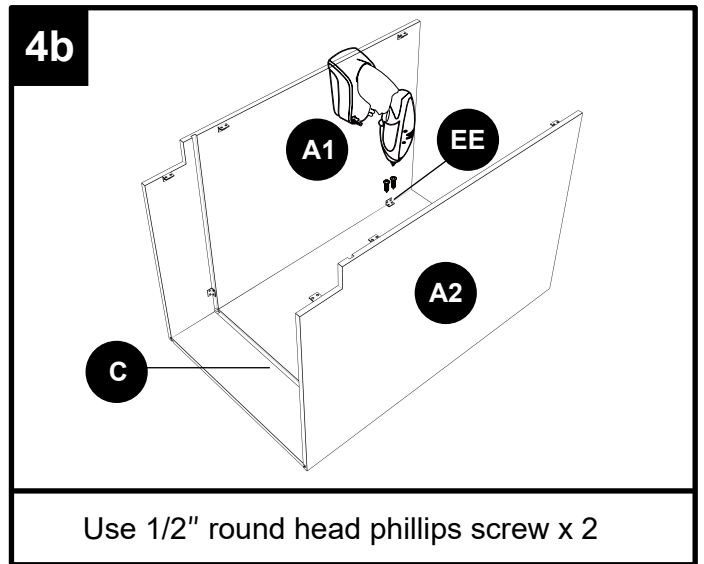
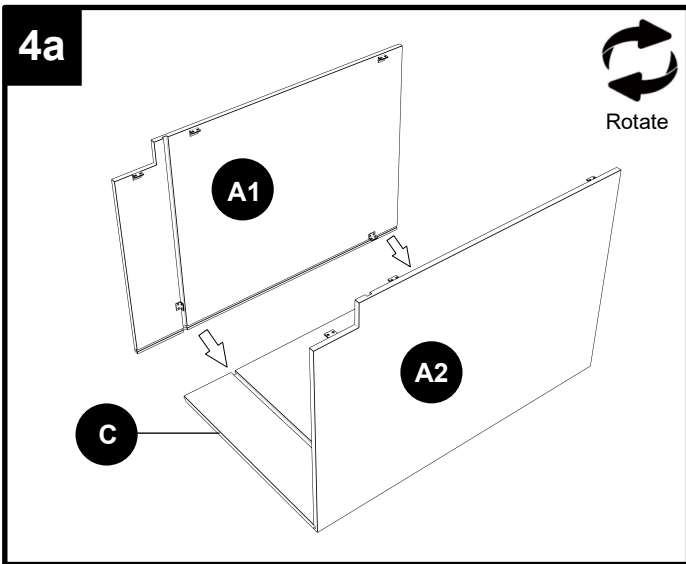


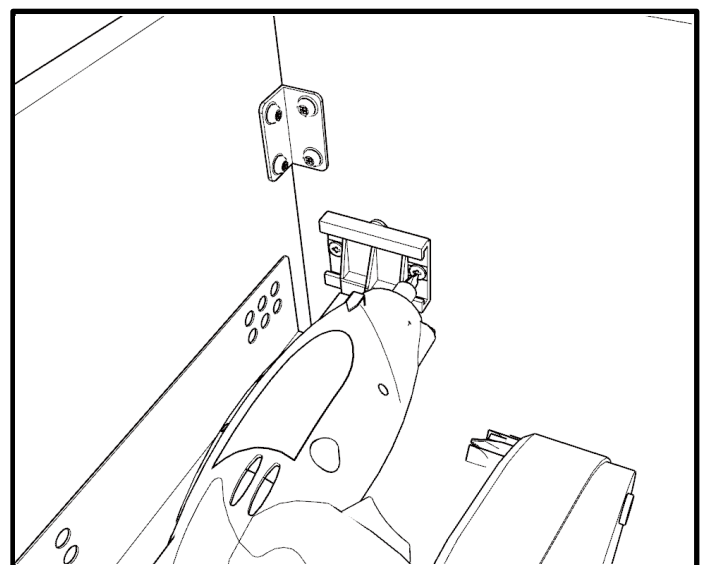
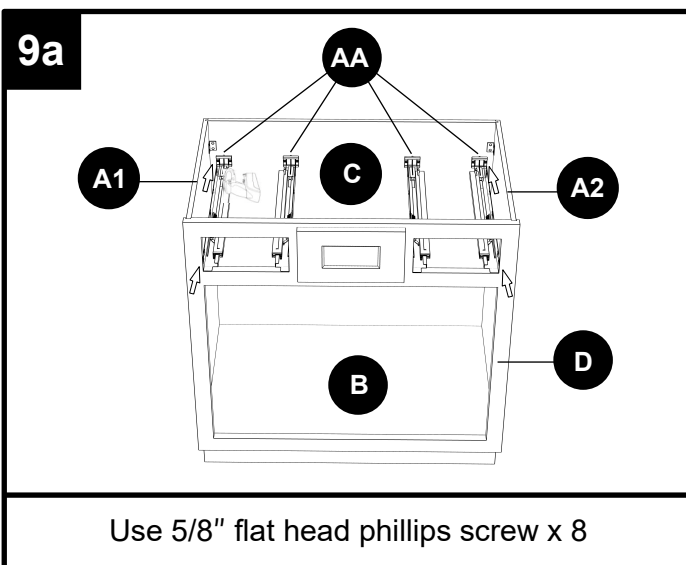
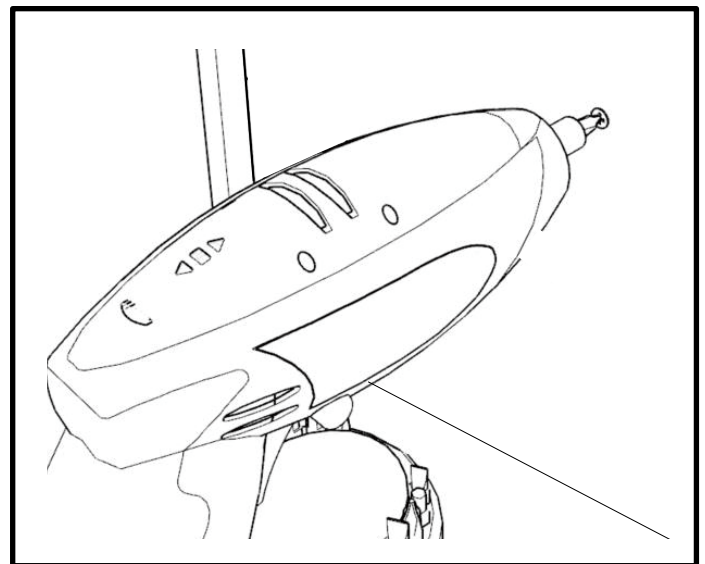
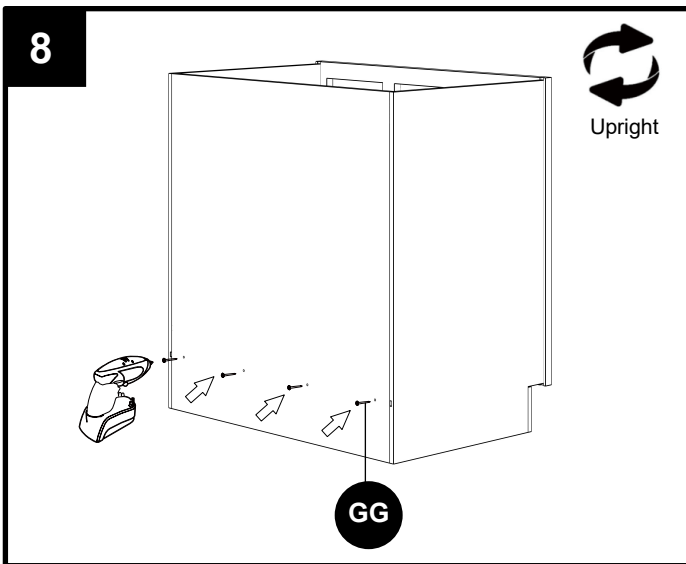
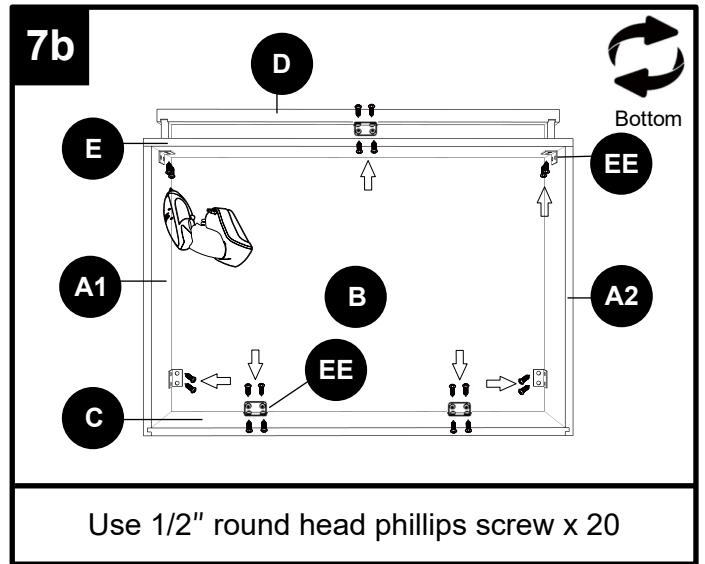
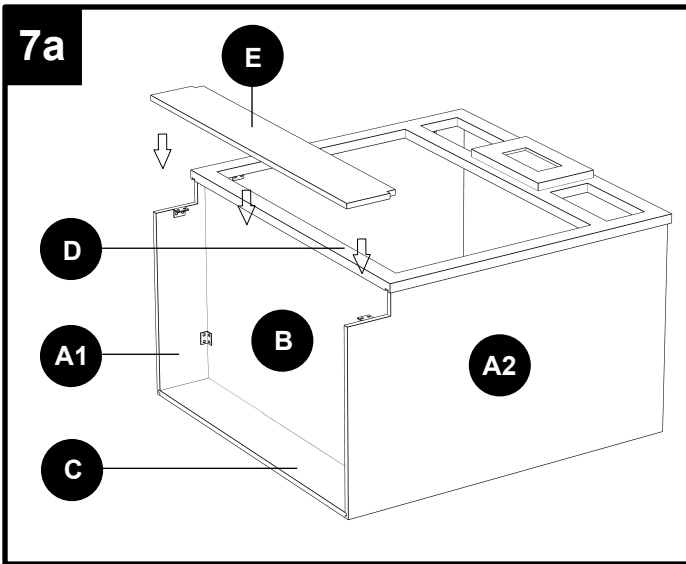
**TOOLS REQUIRED (NOT INCLUDED)**

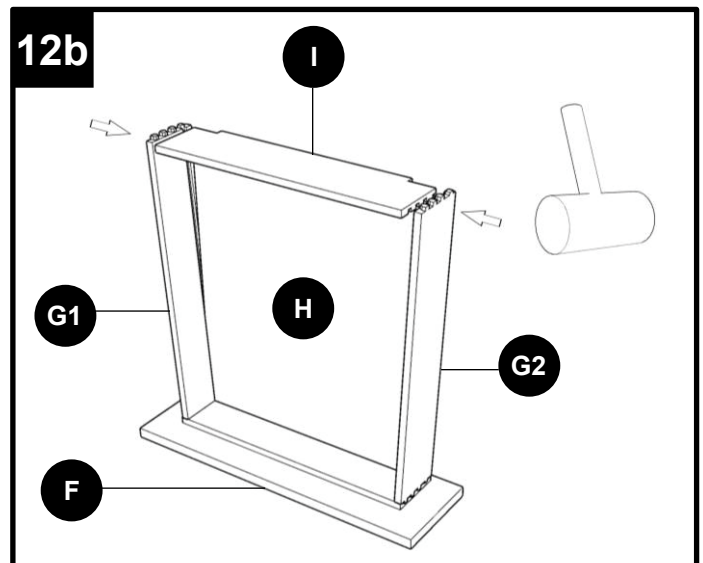
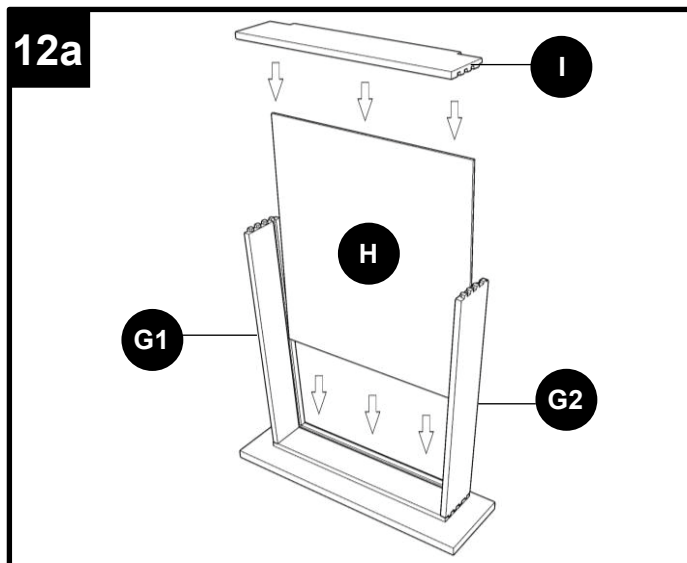
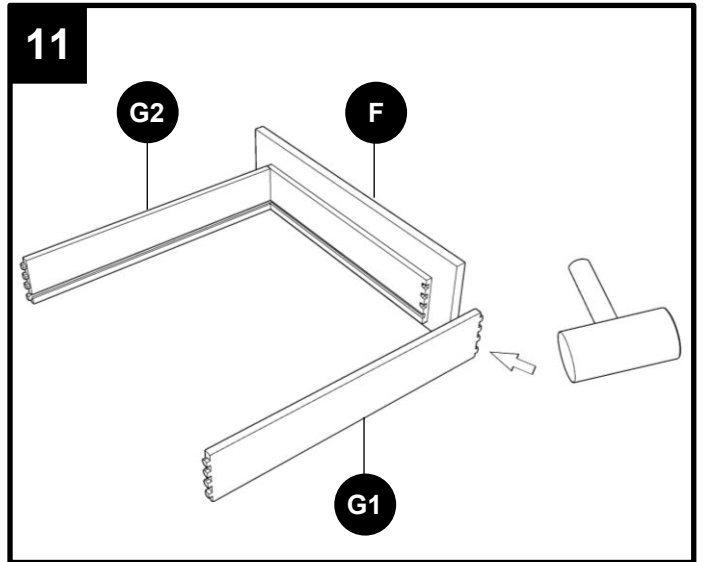
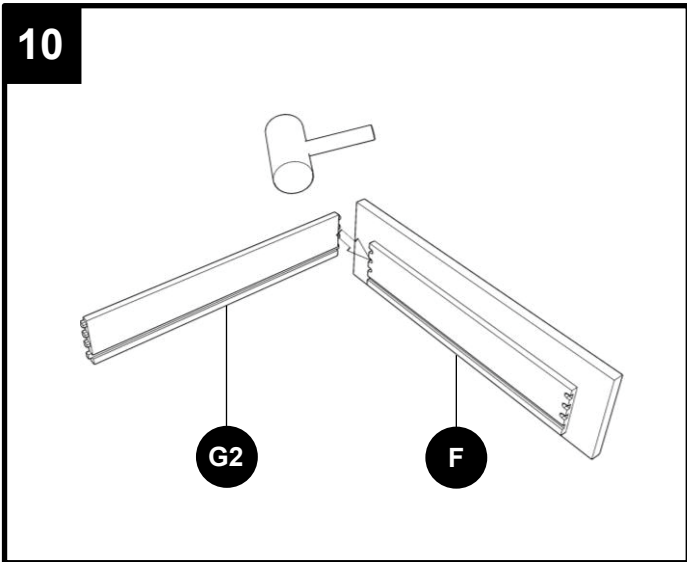
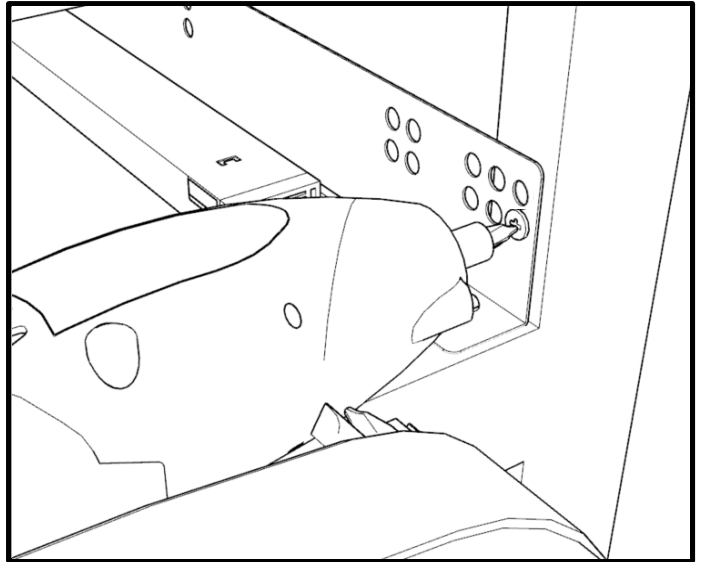
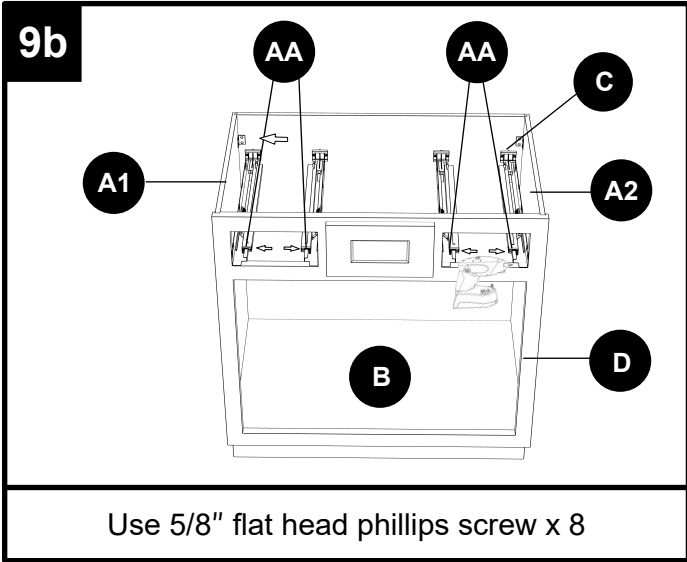


# INSTALLATION OVERVIEW

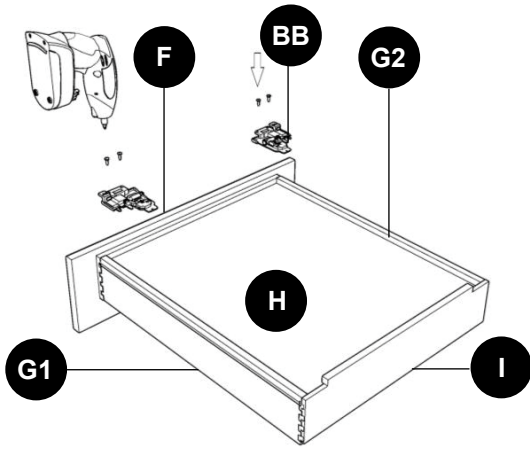




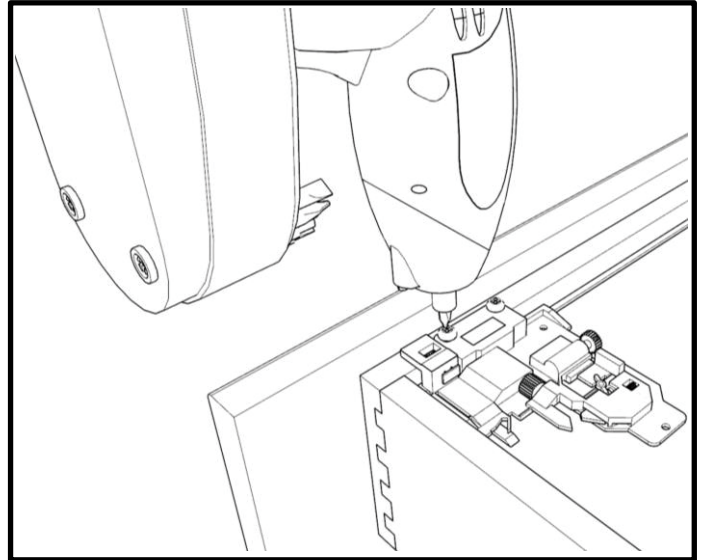




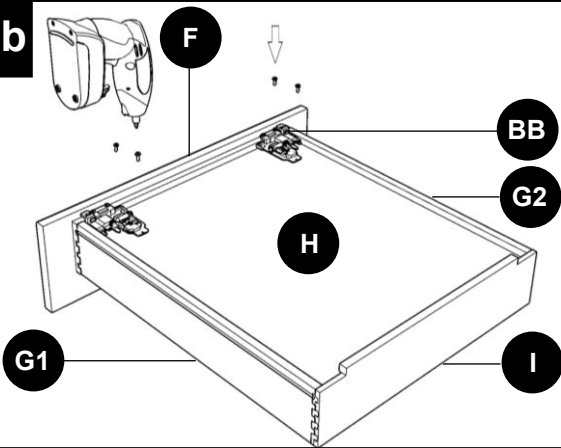
**13a**



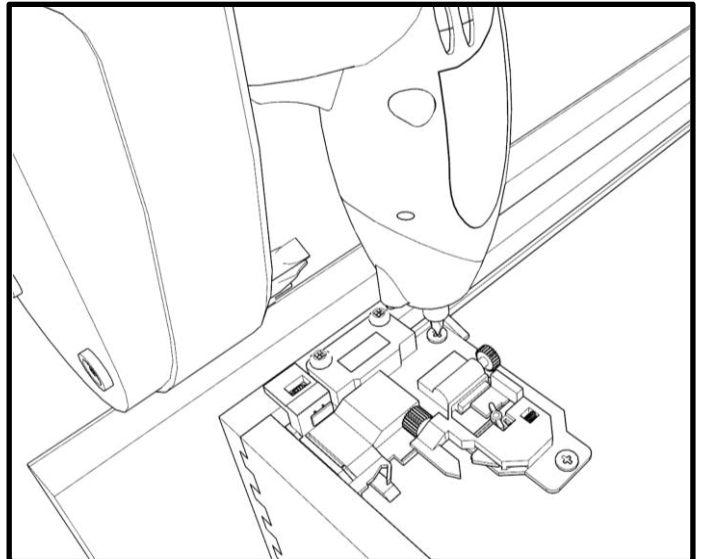
Use 5/8" flat head phillips screw x 4  
Be careful of the screw type.



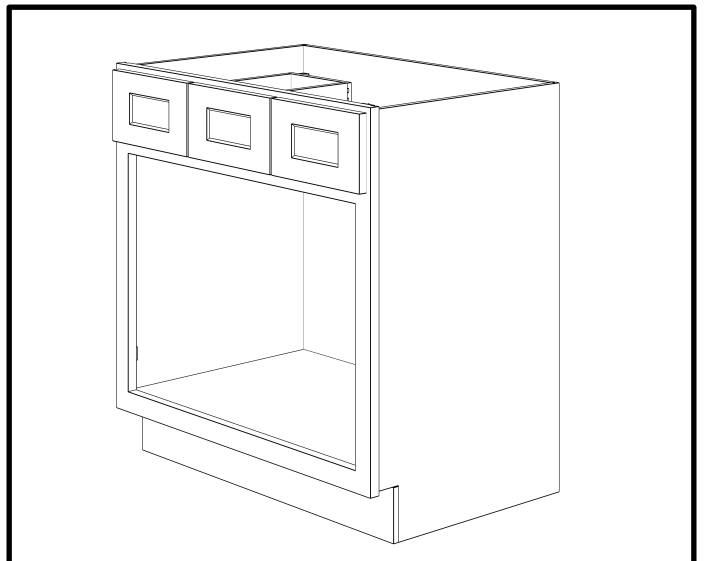
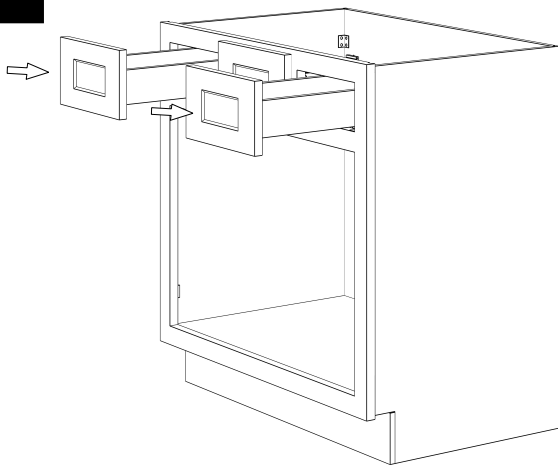
**13b**

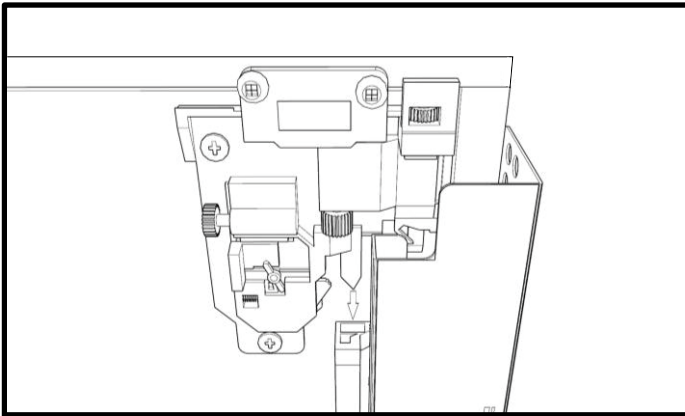


Use 3/8" flat head phillips screw x 4  
Be careful of the screw type.

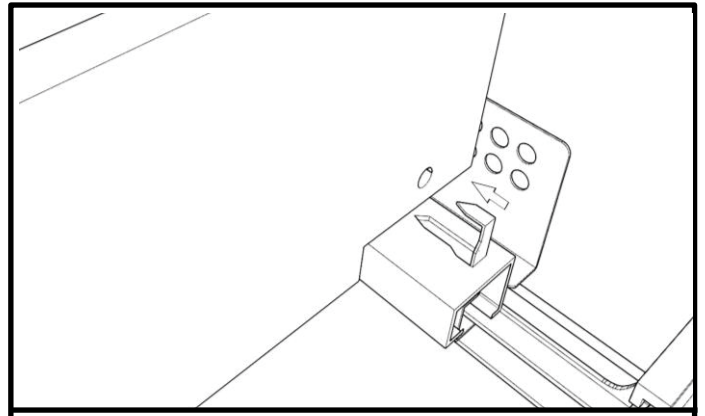


**14**

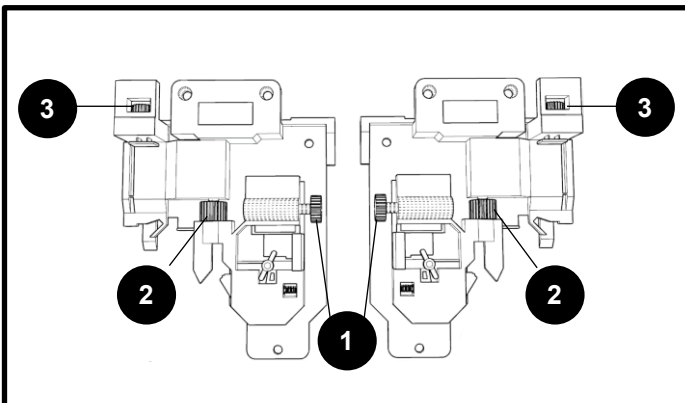




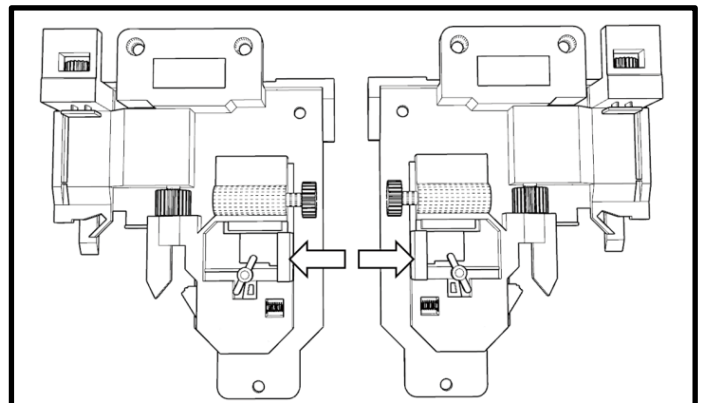
Insert the drawer on the extended runner. To secure the drawer clips with the runner, push the drawer in. Upon successful locking, a click can be heard.



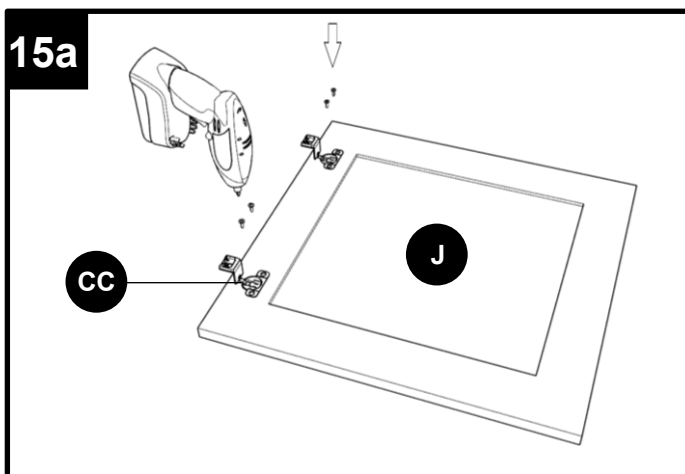
Ensure that the hook on each runner profile fits into the corresponding holes on the drawer back panel.



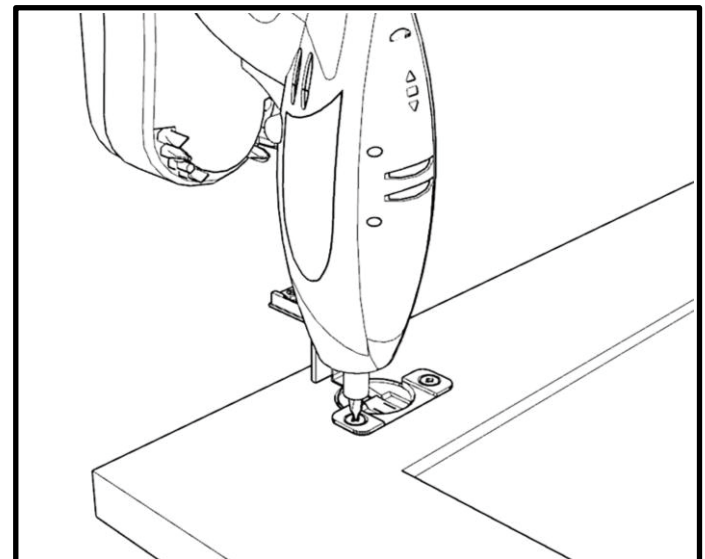
To level the drawer, use the green spur gears 1 to adjust drawer left and right, the green spur gears 2 to adjust drawer up and down, and the green spur gears 3 to adjust drawer inside and outside.



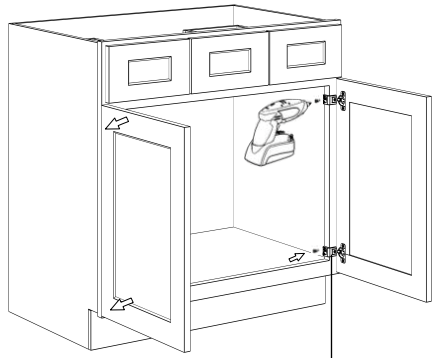
To take the drawer out, push the green clips at the same time to unlock drawer clips.



Use 1/2" flat head phillips screw x 4

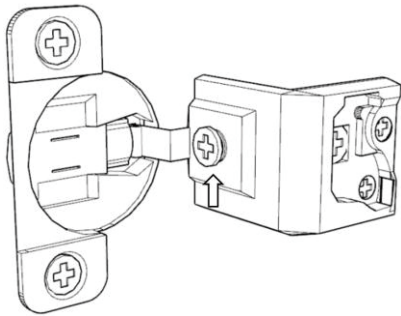
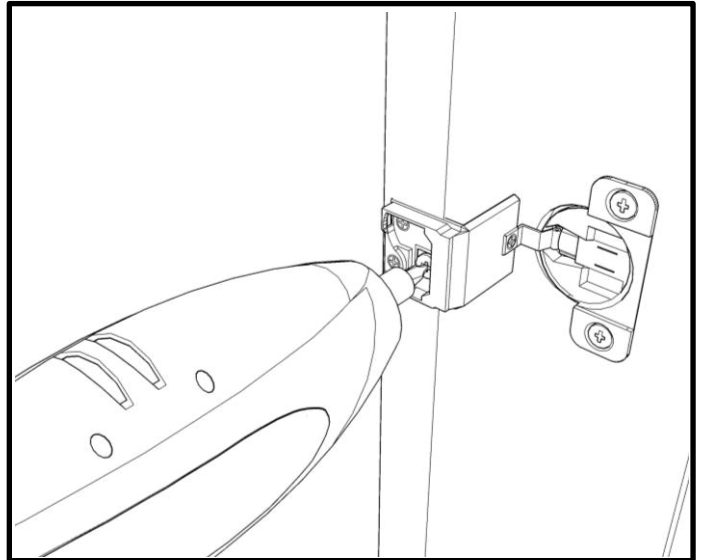


15b

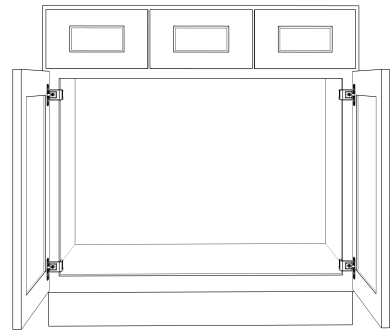


CC

Use 3/4" flat head phillips screw x 4

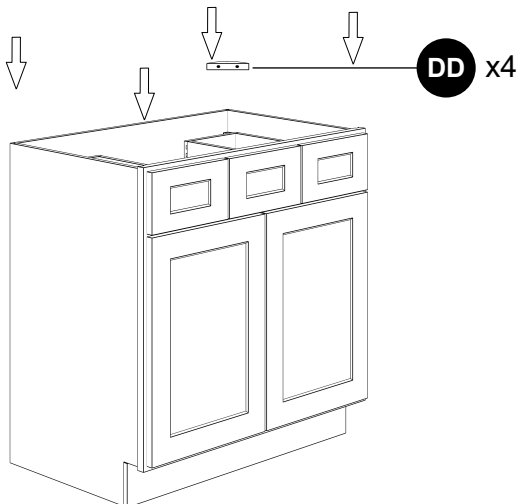


If the door is not level when it is installed, the customer will need to turn the screw clockwise to extend the hinge or counterclockwise to shorten the hinge.



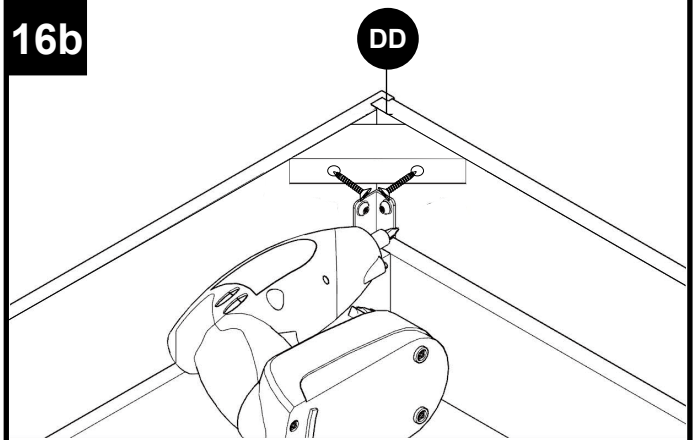
Some products may have hinges pre-installed.

16a



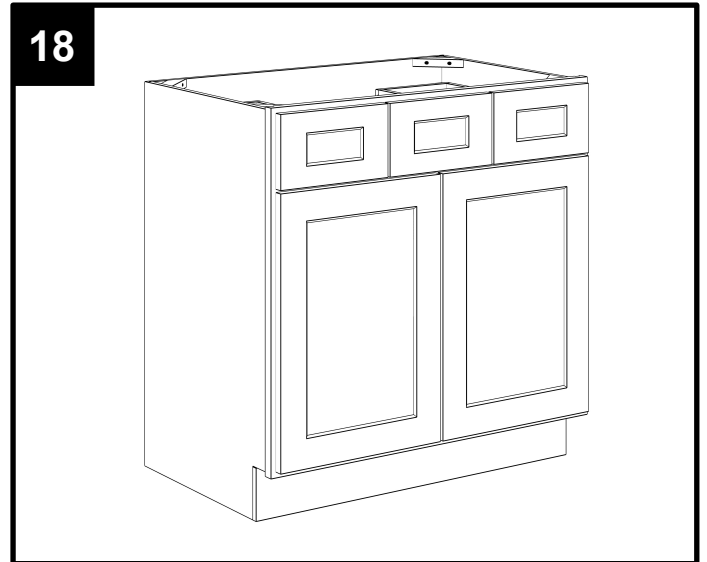
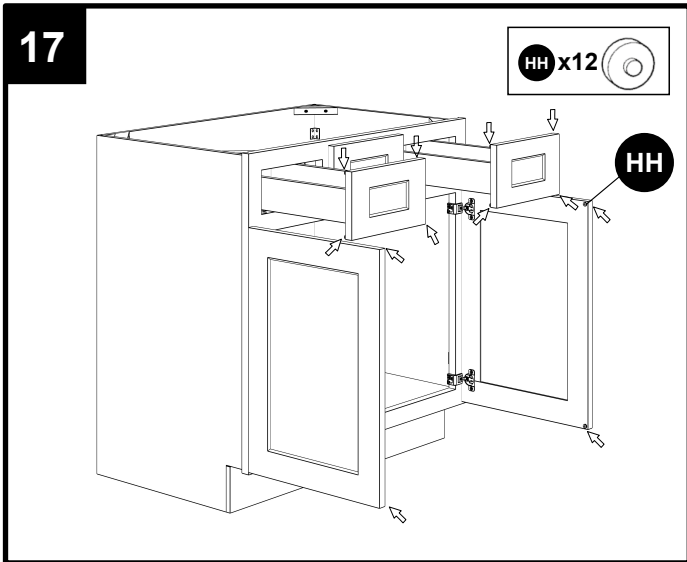
DD x4

16b



DD

Use 1" flat head phillips screw x 8  
(2 screws for 1 corner block)



Dear customers,  
Thank you for purchasing our product. If you require assistance, please contact the customer service team at the retailer where you purchased the product. The customer service team will be happy to assist you.