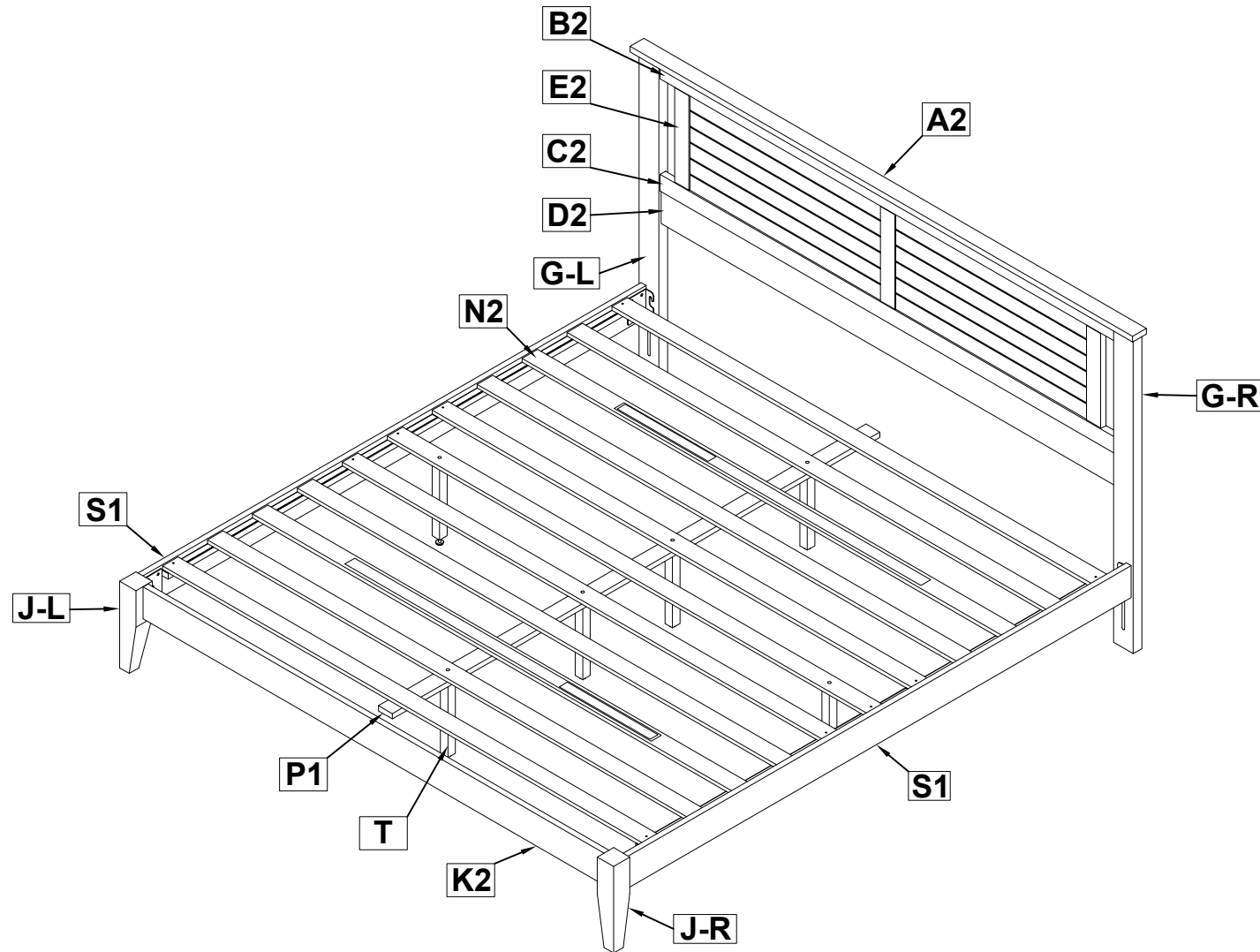


# ASSEMBLY INSTRUCTIONS

## QUEEN BED



If you're having difficulty, our friendly Customer Care team is always here to help.

# QUEEN BED

## ASSEMBLY INSTRUCTIONS

Read these instructions carefully and keep for future reference. Refer to parts inventory for guidance, and ensure you have all pieces before starting.

When assembling, place all parts on a soft, clean, and flat surface such as a carpet to prevent scratches.

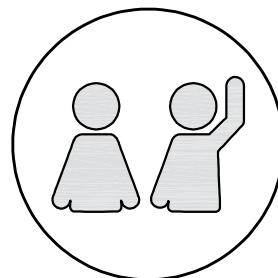
**If you're having difficulty, our friendly Customer Care team is always here to help.**

Attention : Veuillez Lire Toutes Les Instructions Avant De Commencer L'assemblage De Ce Produit. Les Pièces Sont Lourdes. Pour Éviter Toute Blessure Et Pour Vous Assurer Que Le Produit N'est Pas Endommagé Pendant L'assemblage, Nous Vous Recommandons De Faire Appel À Une Ou Plusieurs Autres Personnes.

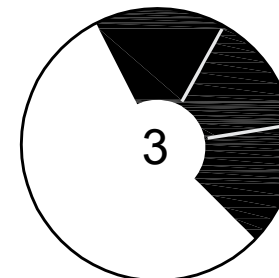
Cuidado: Favor De Leer Todas Las Instrucciones Antes De Ensamblar Su Producto. Estas Piezas Son Pesadas. Para Prevenir Heridas Personales Y Asegurar Que Su Producto No Sea Dañado Mientras Es Ensamblado, Se Recomienda La Asistencia De Una O Más Personas.



**TIME**



**# OF PEOPLE**

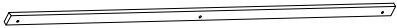


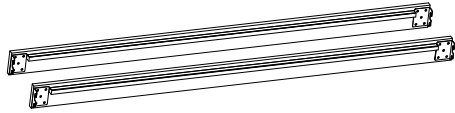
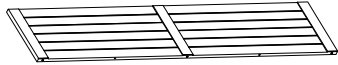





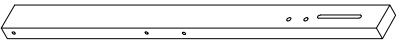

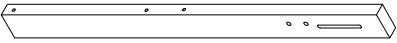
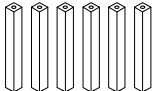


**DIFFICULTY**

**Important: Use hand tools for assembly. Power tools can lead to over-tightening and damage.**

# QUEEN BED

## Parts List

CODE	DESCRIPTION	QTY	CODE	DESCRIPTION	QTY
<b>A2</b>	Headboard Top 	1 pc	<b>K2</b>	Footboard 	1 pc
<b>B2</b>	Crossbar Top 	1 pc	<b>S1</b>	Side Rails 	2 pcs
<b>E2</b>	Headboard 	1 pc	<b>J-L</b>	Left Leg 	1 pc
<b>C2</b>	Crossbar 	1 pc	<b>J-R</b>	Right Leg 	1 pc
<b>D2</b>	Crossbar Bottom 	1 pc	<b>P1</b>	Middle Cross Slats 	1 pc
<b>G-R</b>	Right Leg 	1 pc	<b>N2</b>	Slats 	1 rolls
<b>G-L</b>	Left Leg 	1 pc	<b>T</b>	Support Legs 	6 pcs

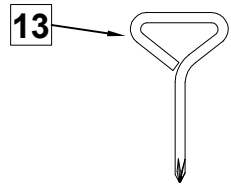
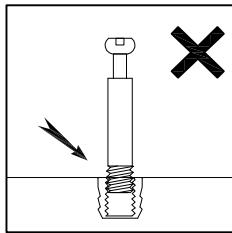
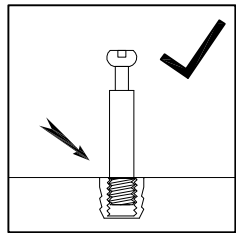
# QUEEN BED

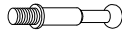

## Hardware List

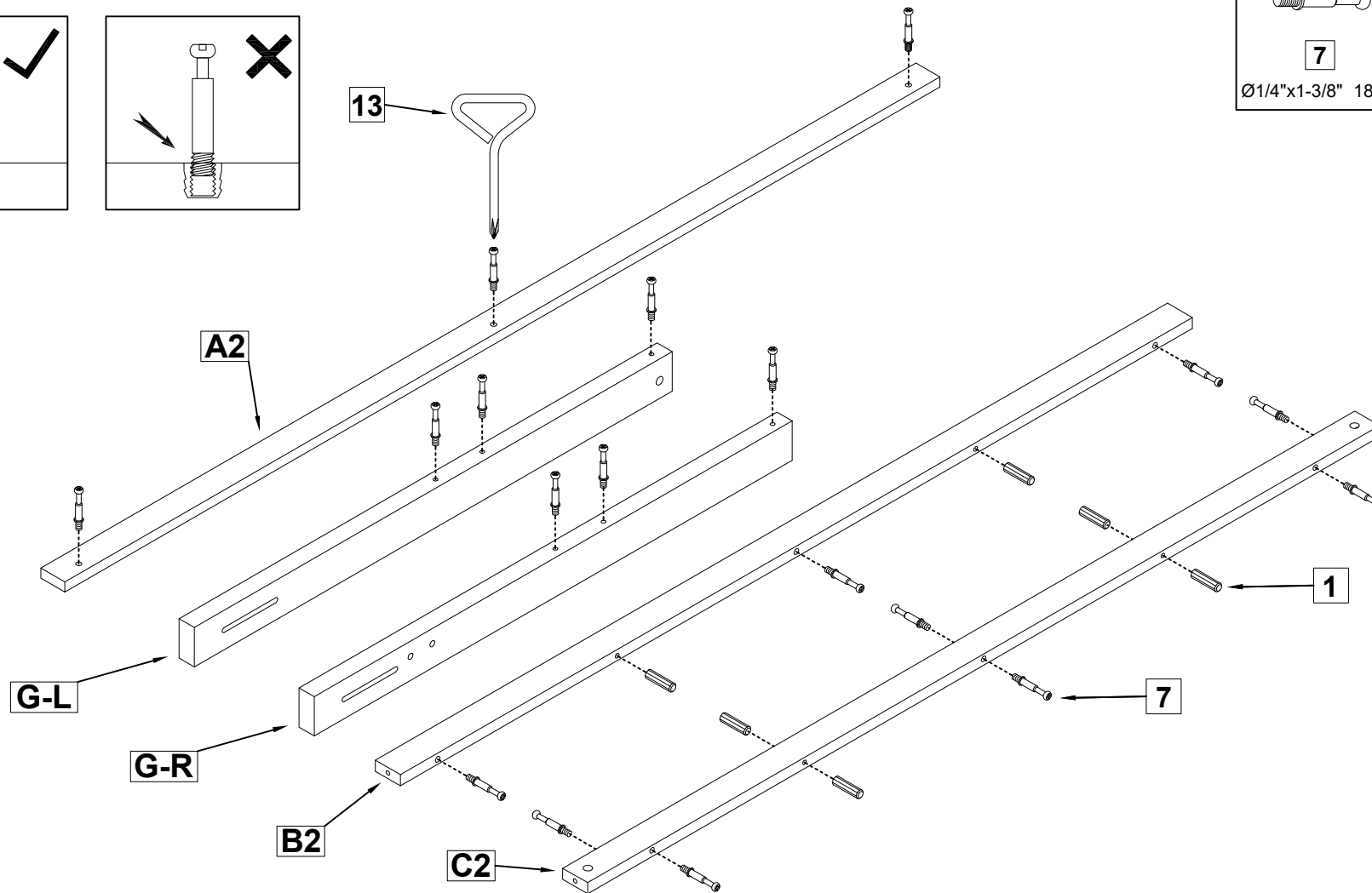
CODE	DESCRIPTION	QTY	CODE	DESCRIPTION	QTY
<b>1</b>	Dowel Ø8x1-1/8"	7 pcs	<b>11</b>	Wrench	1 pc
<b>2</b>	Dowel Ø10x1-5/8"	5 pcs	<b>12</b>	Allen Key	1 pc
<b>3</b>	Bolt Ø5/16"x2"	6 pcs	<b>13</b>	Philips Head Screwdriver	1 pc
<b>4</b>	Bolt Ø5/16"x1"	8 pcs	<b>14</b>	Screw #8x1-1/4"	10 pcs
<b>5</b>	Nut Ø5/16"	2 pcs	<b>15</b>	Bolt Ø5/16"x3"	2 pcs
<b>6</b>	Flat Head Screwdriver	1 pc	<b>16</b>	Curved Washer Ø5/16"	2 pcs
<b>7</b>	Cam Lock Bolt Ø1/4"x1-3/8"	19 pcs			
<b>8</b>	Cam Lock Ø15	19 pcs			
<b>9</b>	Spring Washer Ø5/16"	10 pcs			
<b>10</b>	Flat Washer Ø5/16"x3/4"	14 pcs			

# QUEEN BED

1



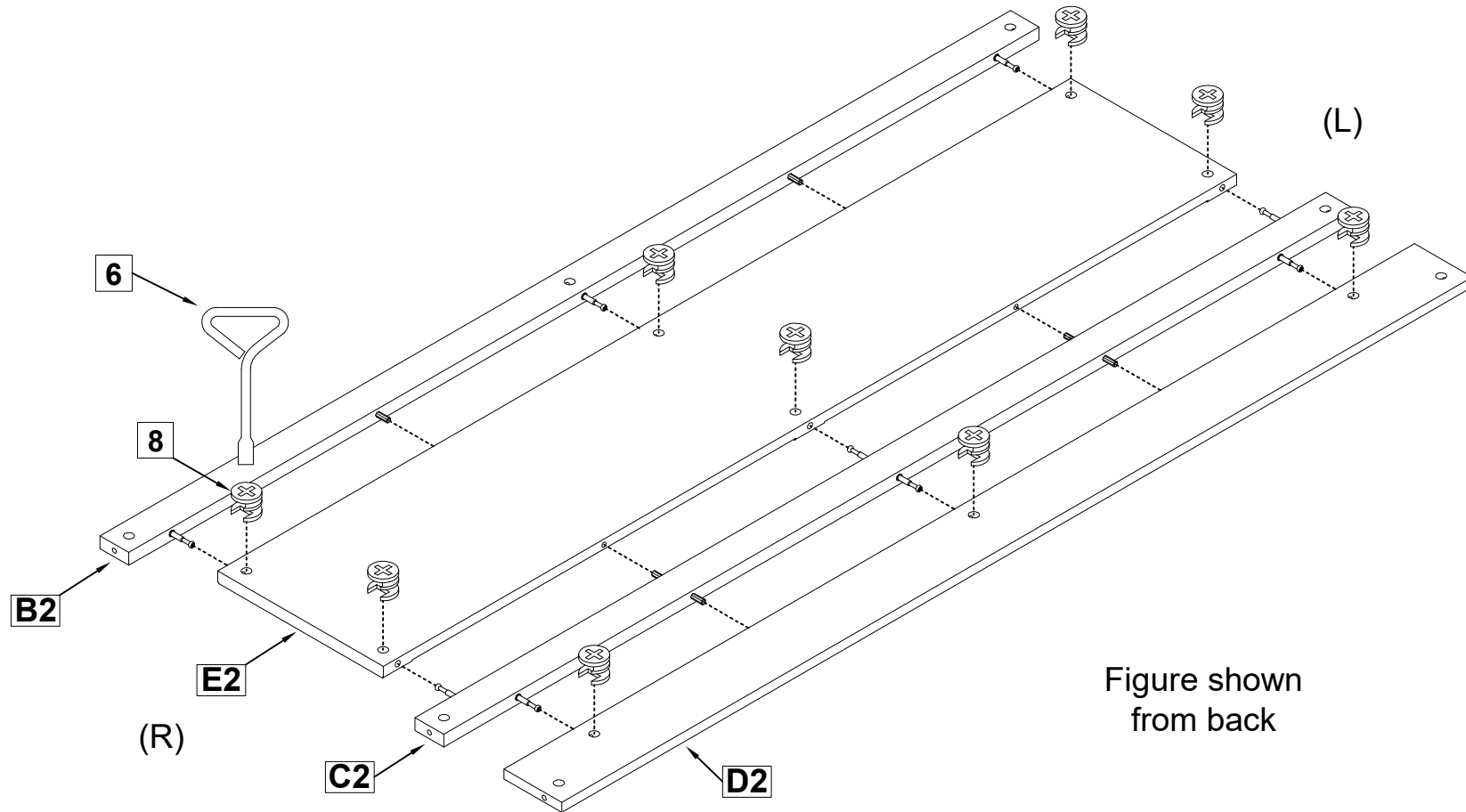
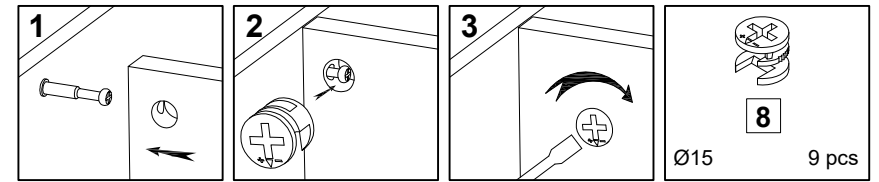
	
<b>7</b>	<b>1</b>
Ø1/4"x1-3/8" 18 pcs	Ø8x1-1/8" 6 pcs



If you're having difficulty, our friendly Customer Care team is always here to help.

# QUEEN BED

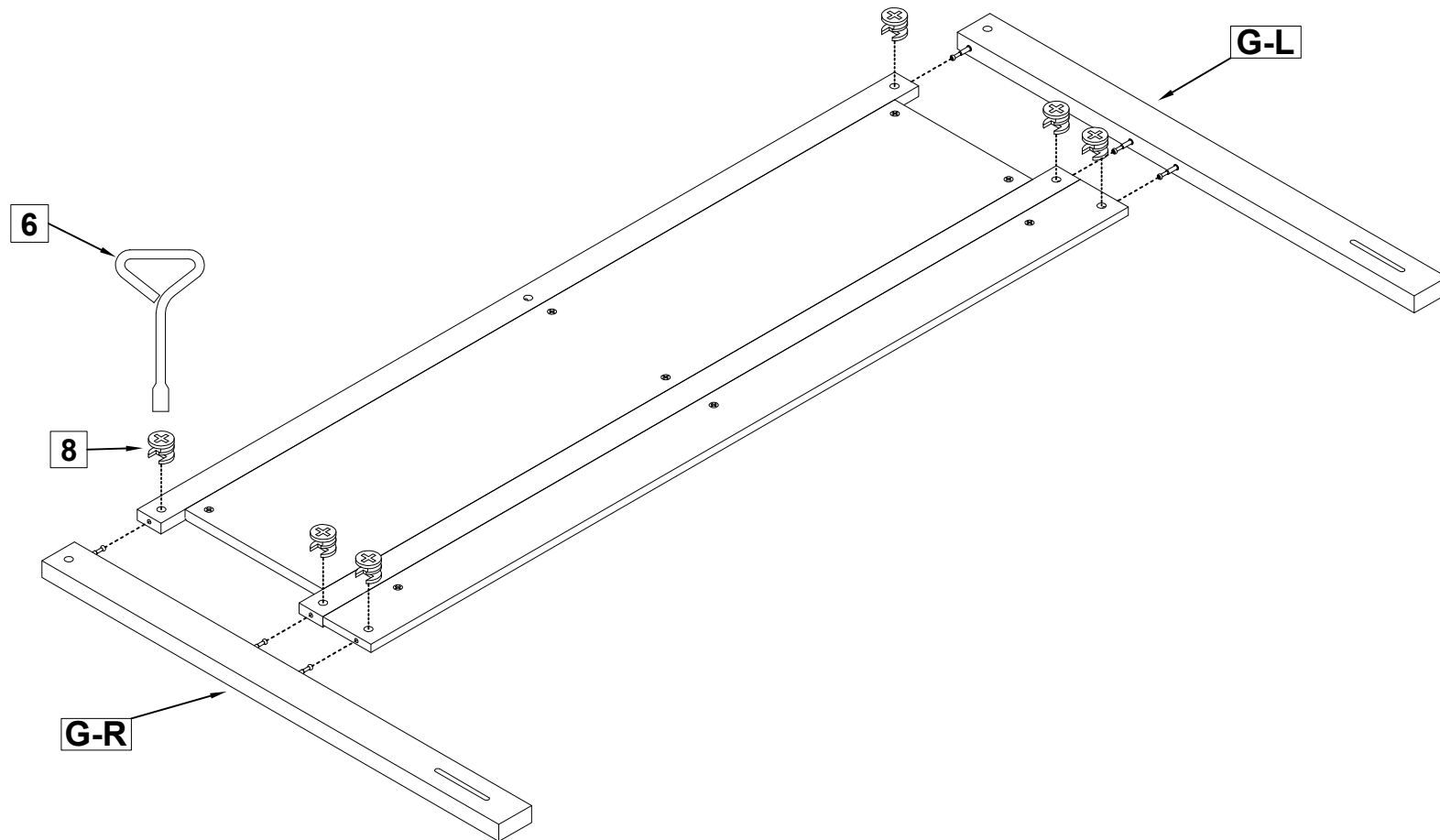
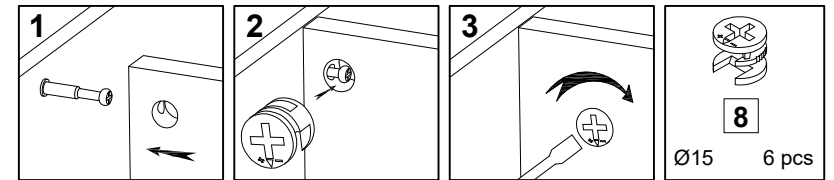
2



If you're having difficulty, our friendly Customer Care team is always here to help.

# QUEEN BED

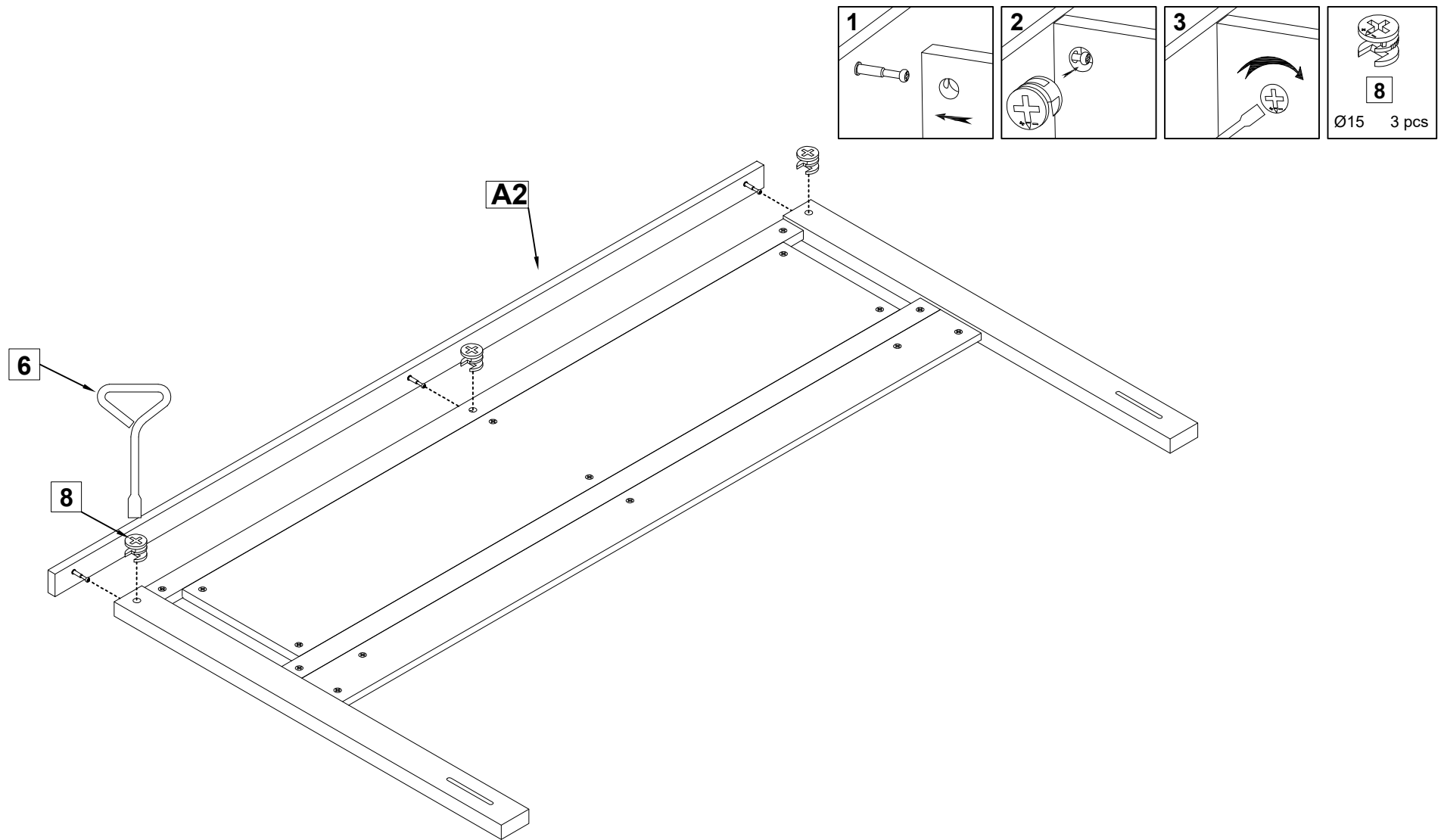
3



If you're having difficulty, our friendly Customer Care team is always here to help.

# QUEEN BED

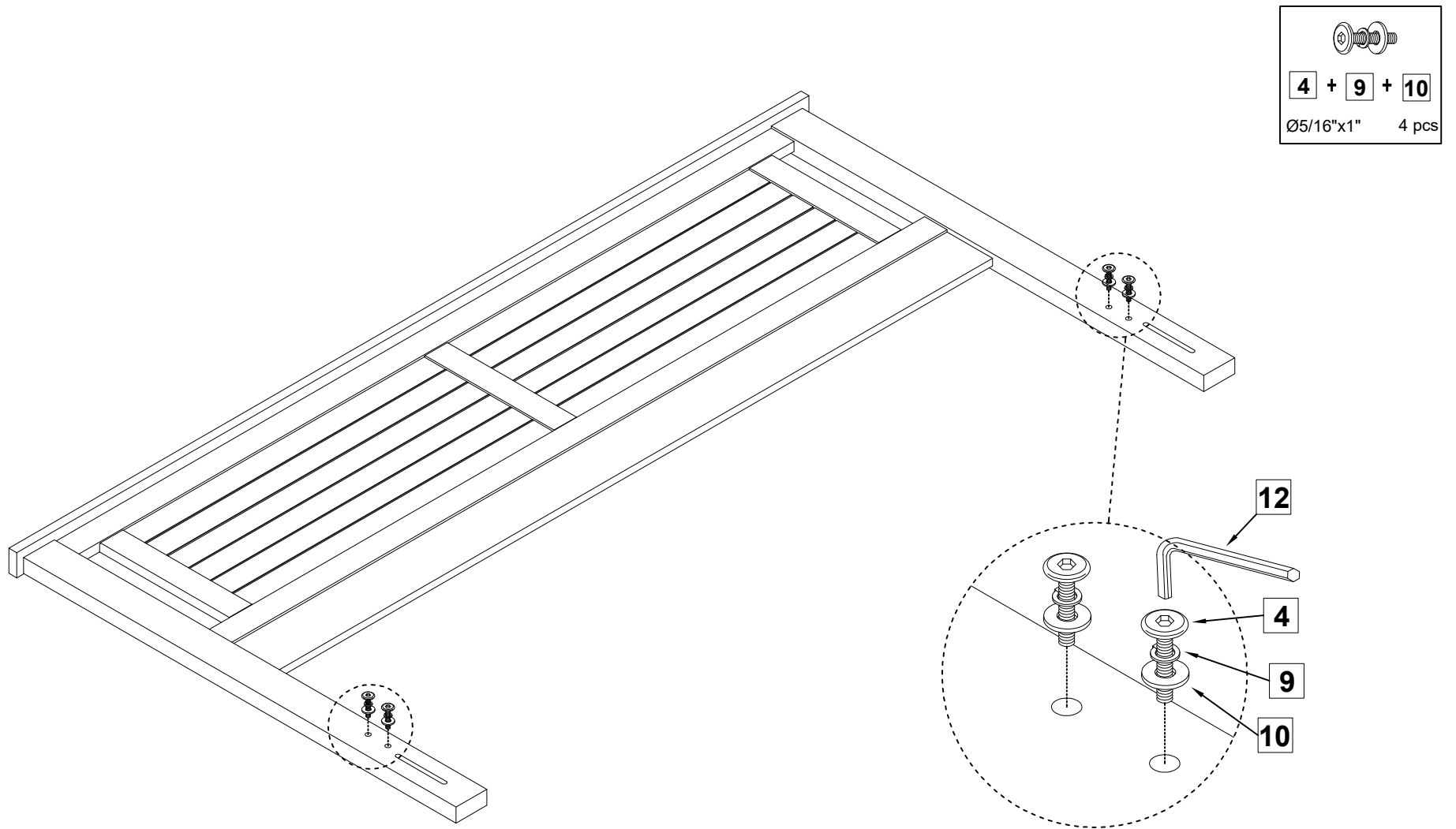
4



If you're having difficulty, our friendly Customer Care team is always here to help.

# QUEEN BED

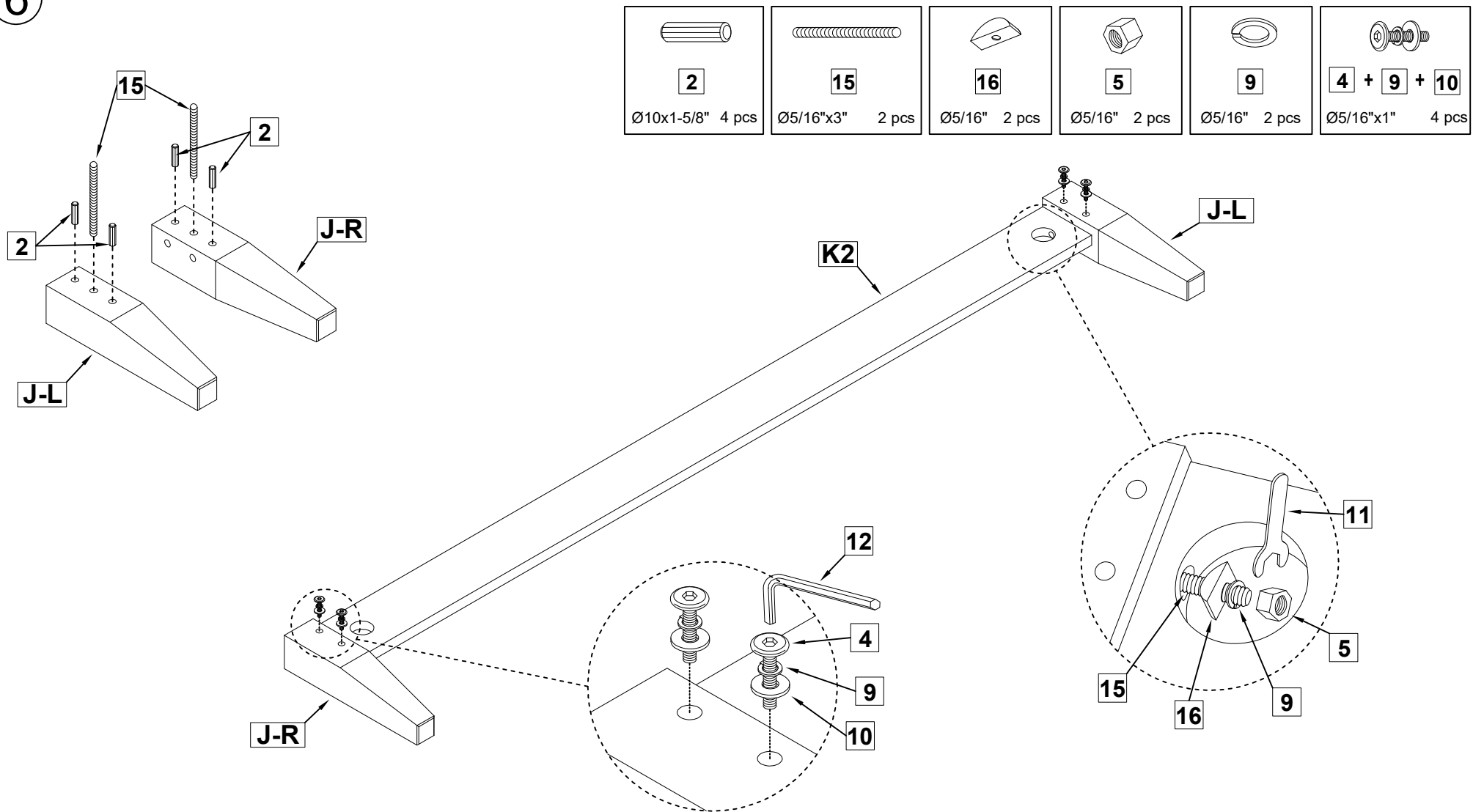
5



If you're having difficulty, our friendly Customer Care team is always here to help.

# QUEEN BED

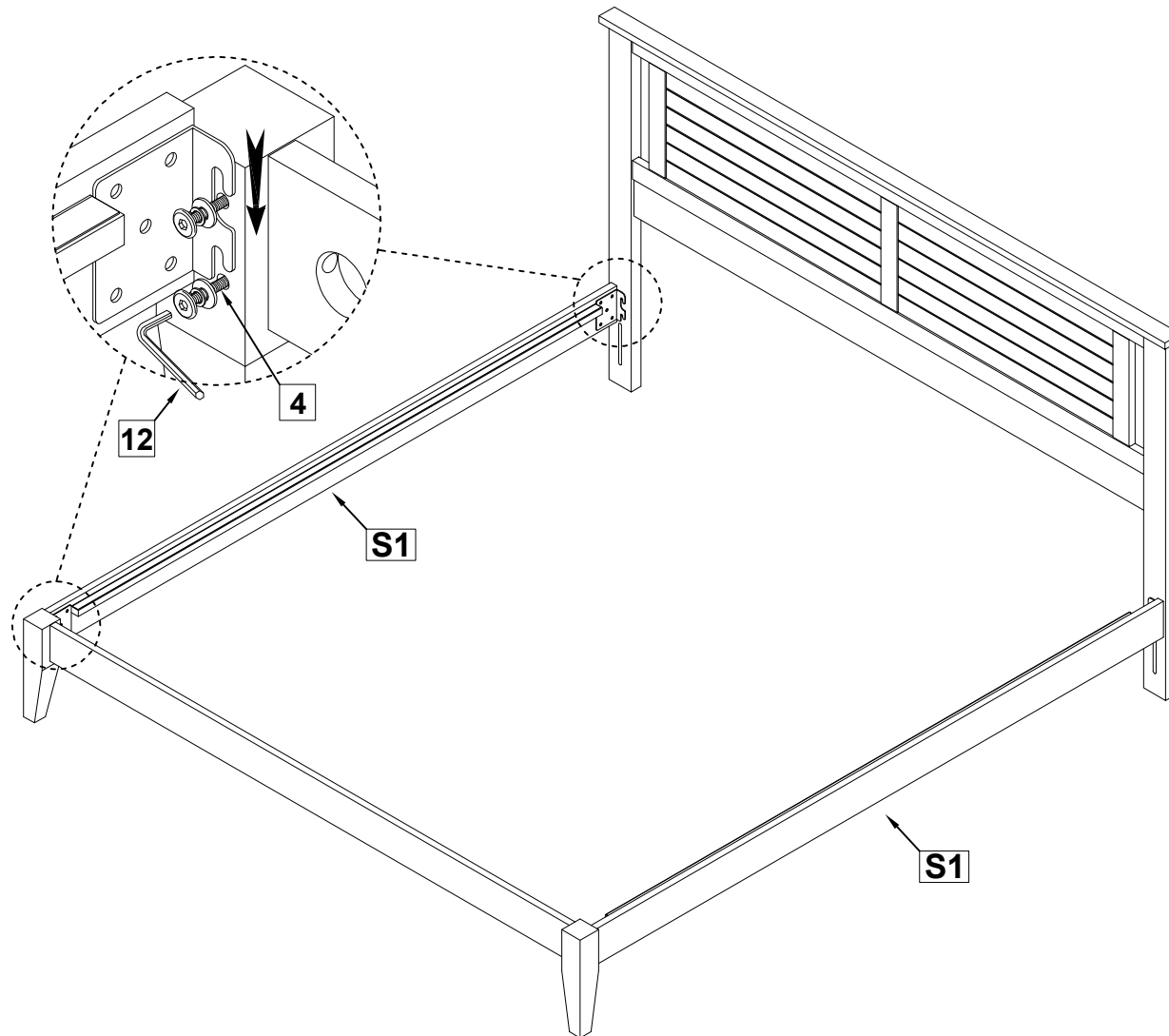
6



If you're having difficulty, our friendly Customer Care team is always here to help.

# QUEEN BED

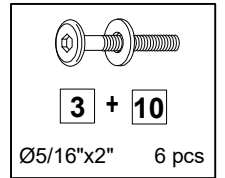
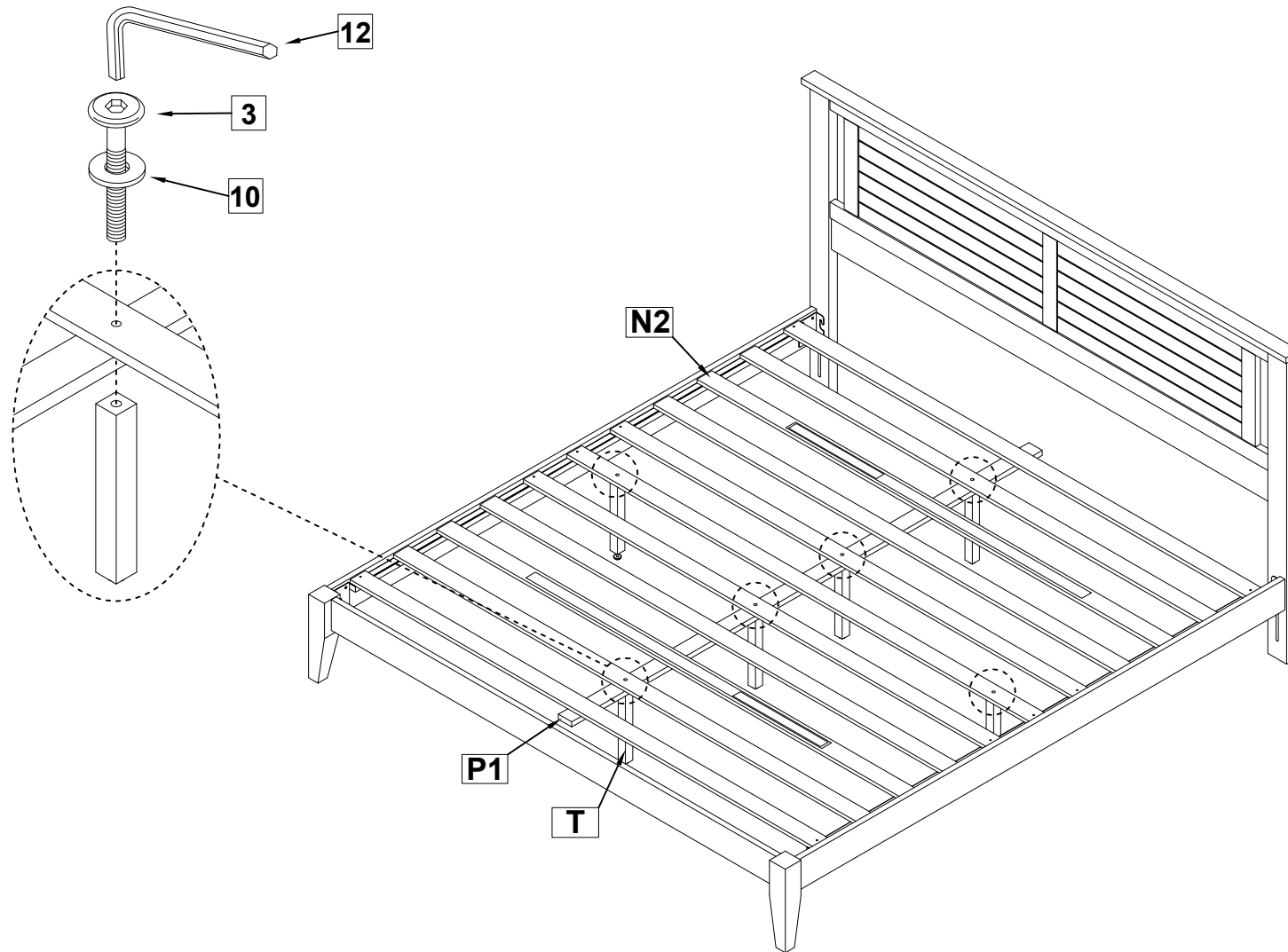
7



If you're having difficulty, our friendly Customer Care team is always here to help.

# QUEEN BED

8



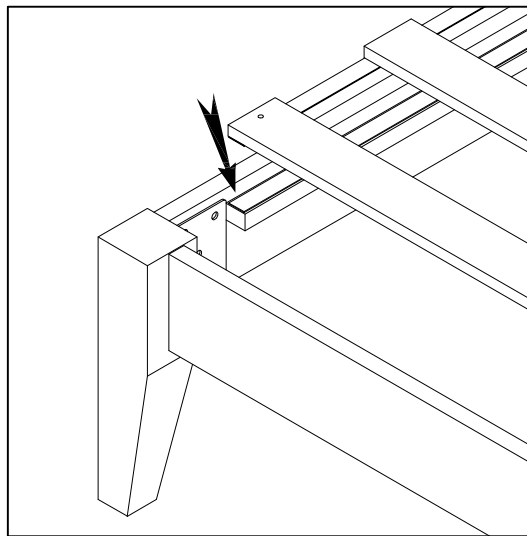
If you're having difficulty, our friendly Customer Care team is always here to help.

# QUEEN BED

9

---

After the slat system is assembled, place the slats into the frame of the bed as shown, and velcro the slats to the cleat of side rail as shown below.

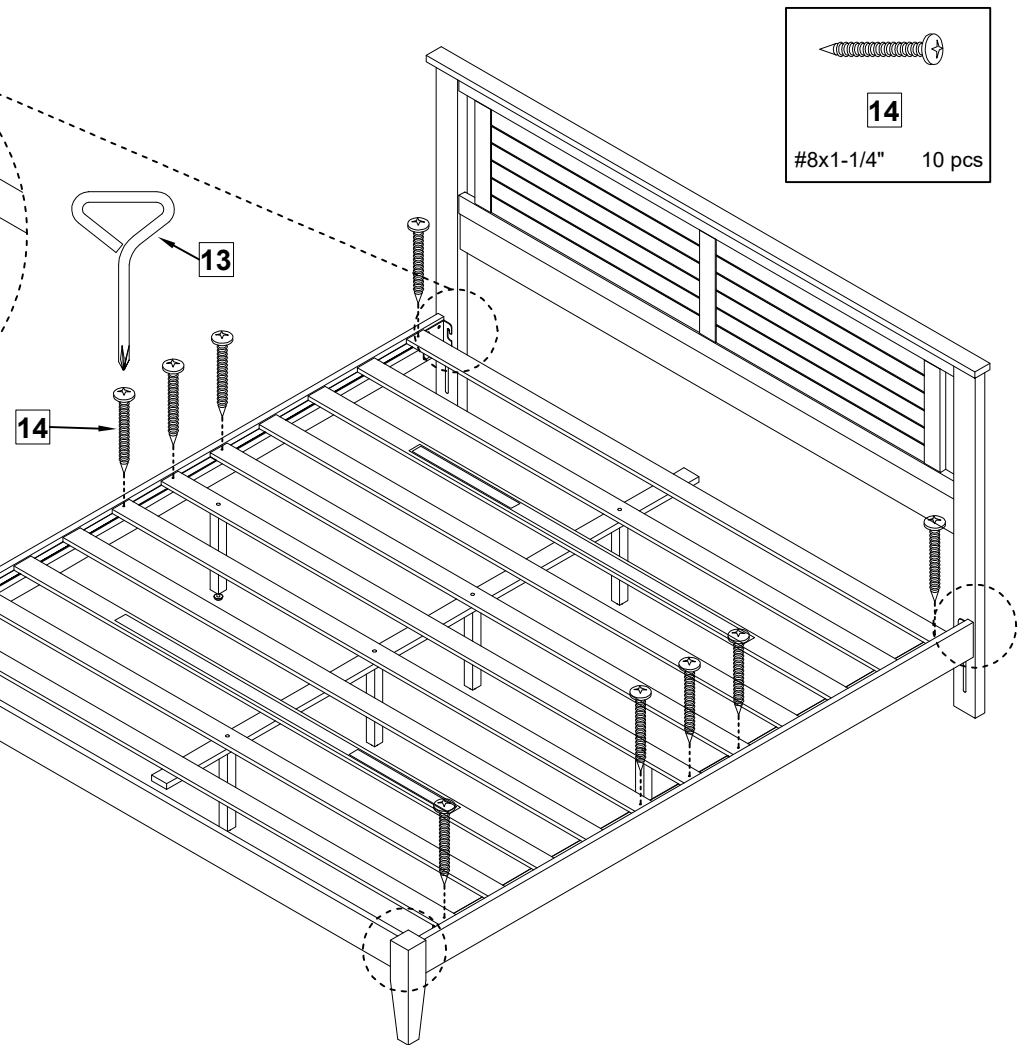
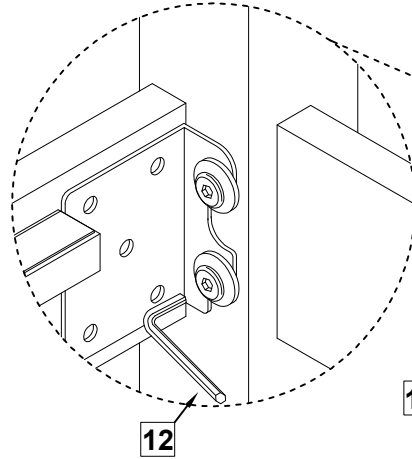
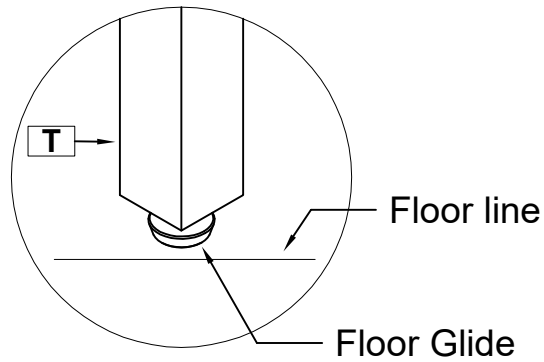


Velcro the ends of slat to the cleats of side rail

If you're having difficulty, our friendly Customer Care team is always here to help.

# QUEEN BED

10



## NOTE:

The center support leg glide sits approximately 1/4" off of the floor. The glide will usually touch the floor after a mattress is placed on the bedframe.

Do not place a mattress on bedframe until it is fully assembled and tightened. The bedframe should be located in your desired location. Sliding the bed with weight upon it can compromise the integrity of the center support legs.

**You're all finished! Sweet dreams!**

If you're having difficulty, our friendly Customer Care team is always here to help.