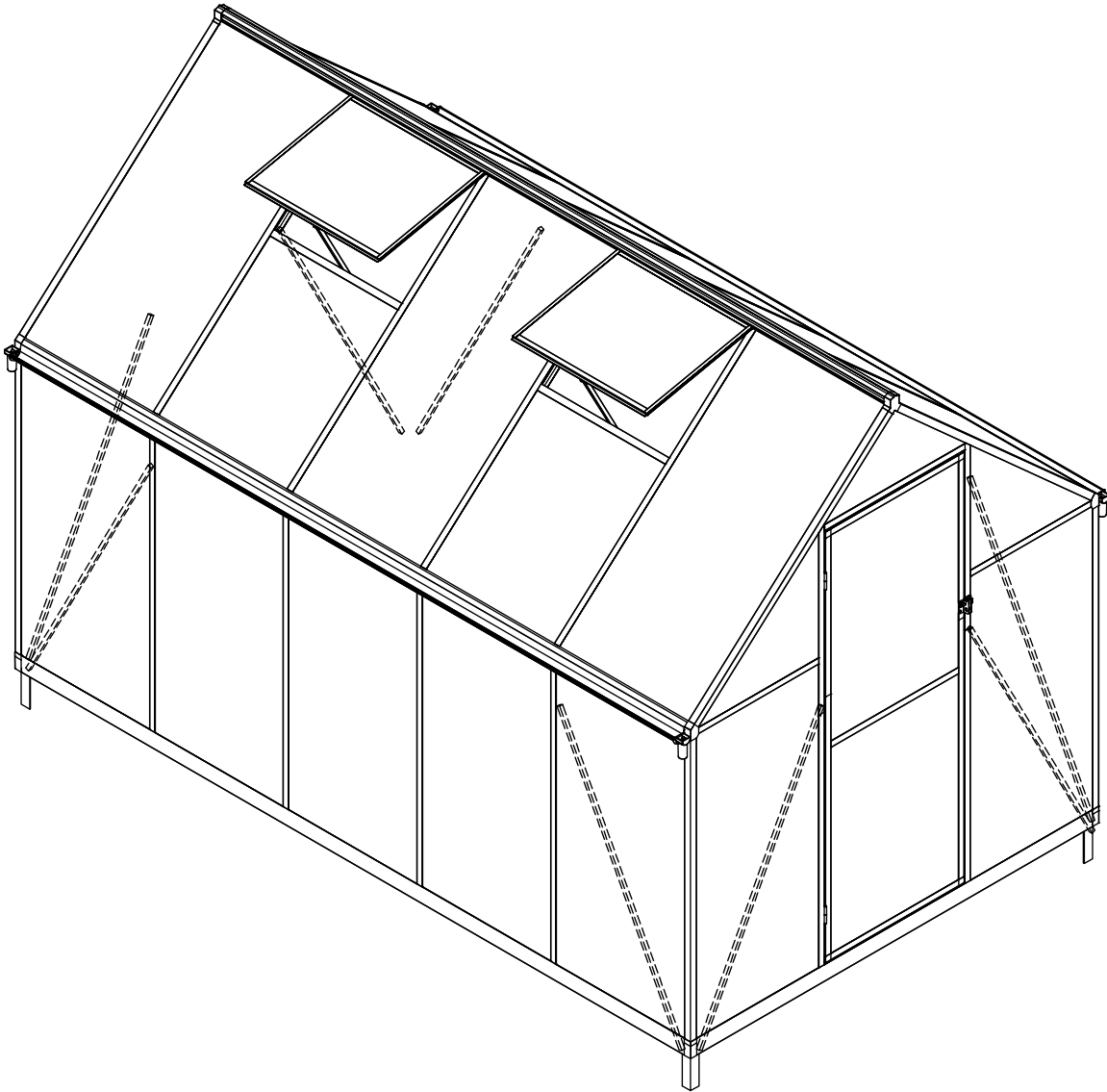


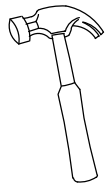
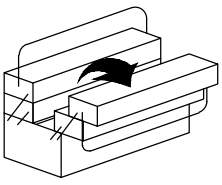
Aluminium Greenhouse

ASSEMBLY INSTRUCTIONS



VIWAT@cnrrx.net

Please read all instructions carefully before assembly.
It is best to familiarize yourself with the parts and
collate the appropriate parts for each step.

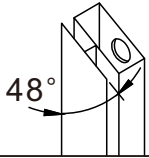
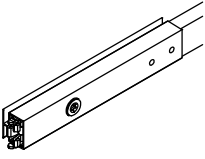
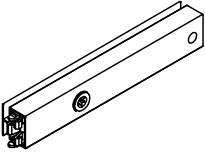
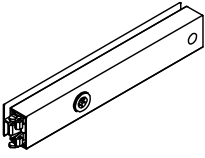
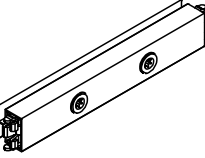
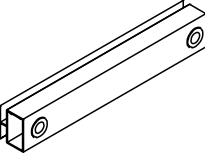
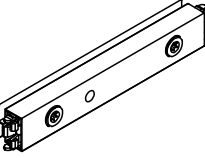
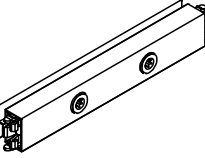
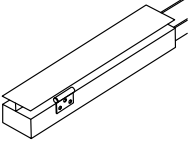
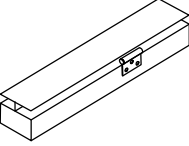
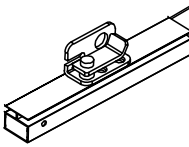


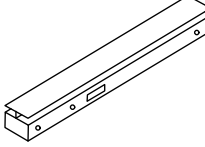
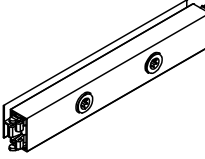
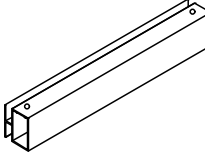
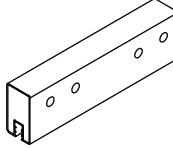
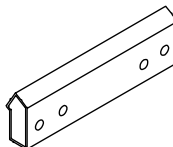
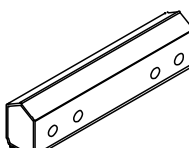
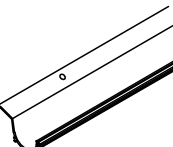
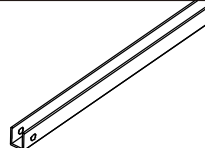
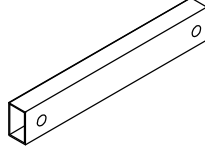
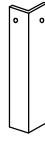
Aluminum Parts :

No.	Picture	Qty.
A1-1		x2
A1-2		x2
A1-3		x2
A1-4		x2
A2-1		x2
A2-2		x2
A3		x2
A4		x4
A5-1		x1
A5-2		x1

No.	Picture	Qty.
A5-3		x1
A5-4		x1
A6-1		x1
A6-2		x1
A6-3		x1
A6-4		x1
A7		x1
A8-1		x2
A8-2		x2
A9-1		x1

Aluminum Parts :

No.	Picture	Qty.
A9-2		x1
A9-3		x2
A10-1		x2
A10-2		x2
A11		x1
A12		x2
A13		x8
A14		x4
A15-1		x1
A15-2		x1
A15-3		x1

No.	Picture	Qty.
A15-4		x1
A16		x1
A17		x2
A18		x4
A19		x2
A20		x1
A21		x4
A22-2		x2
A23		x8
A24		x4

Plastic Parts:



No.	Picture	Qty.
H1		x4
H2		x2
H3		x2

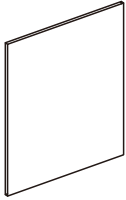
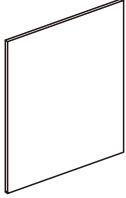
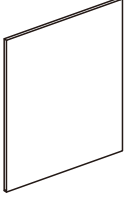
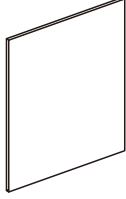
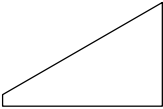
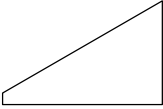
No.	Picture	Qty.
H4		x2
H5		x2

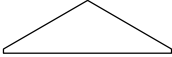
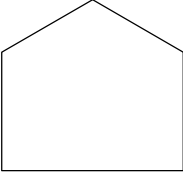

Hardware:

No.	Picture	Qty.	Size
H6		x22	M6x30
H7		x1	
H8		x38	M6x12
H9		x30	M6
H11		x8	St5x10
H12		x12	St5x16
H13		x1	
H14		x1	

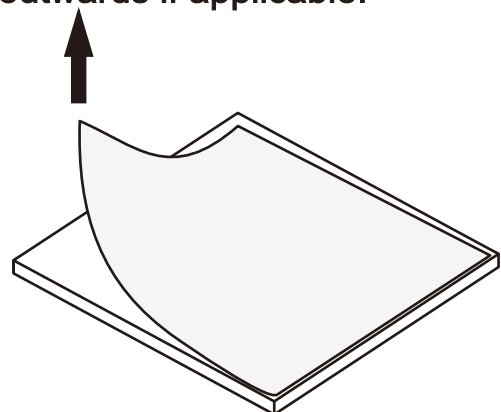
No.	Picture	Qty.	Size
H15		x4	
H16		x24	M6x20
H17		x2	
H18		x2	
H19		x2	M4X40
H20		x20	St4x8
A22-1		x2	

Twin PC Board:

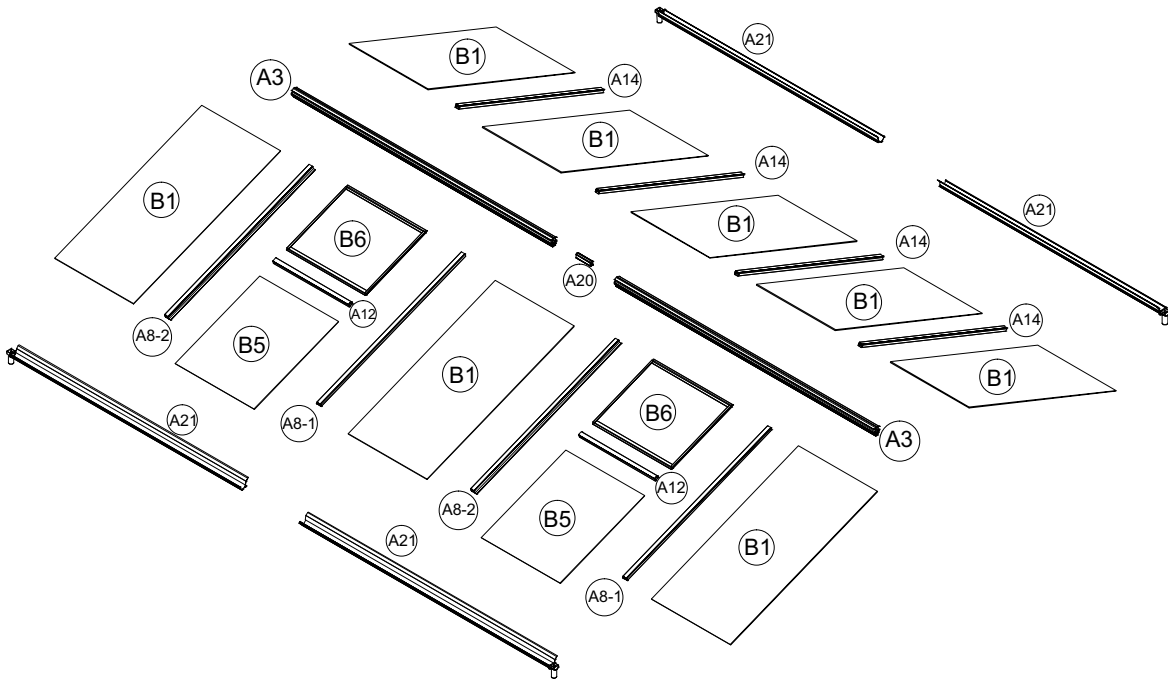
No.	Picture	Qty.
B1		21
B2		2
B5		2
B9		2
B3		2
B8		2

No.	Picture	Qty.
B4		1
B7		1
B6		2

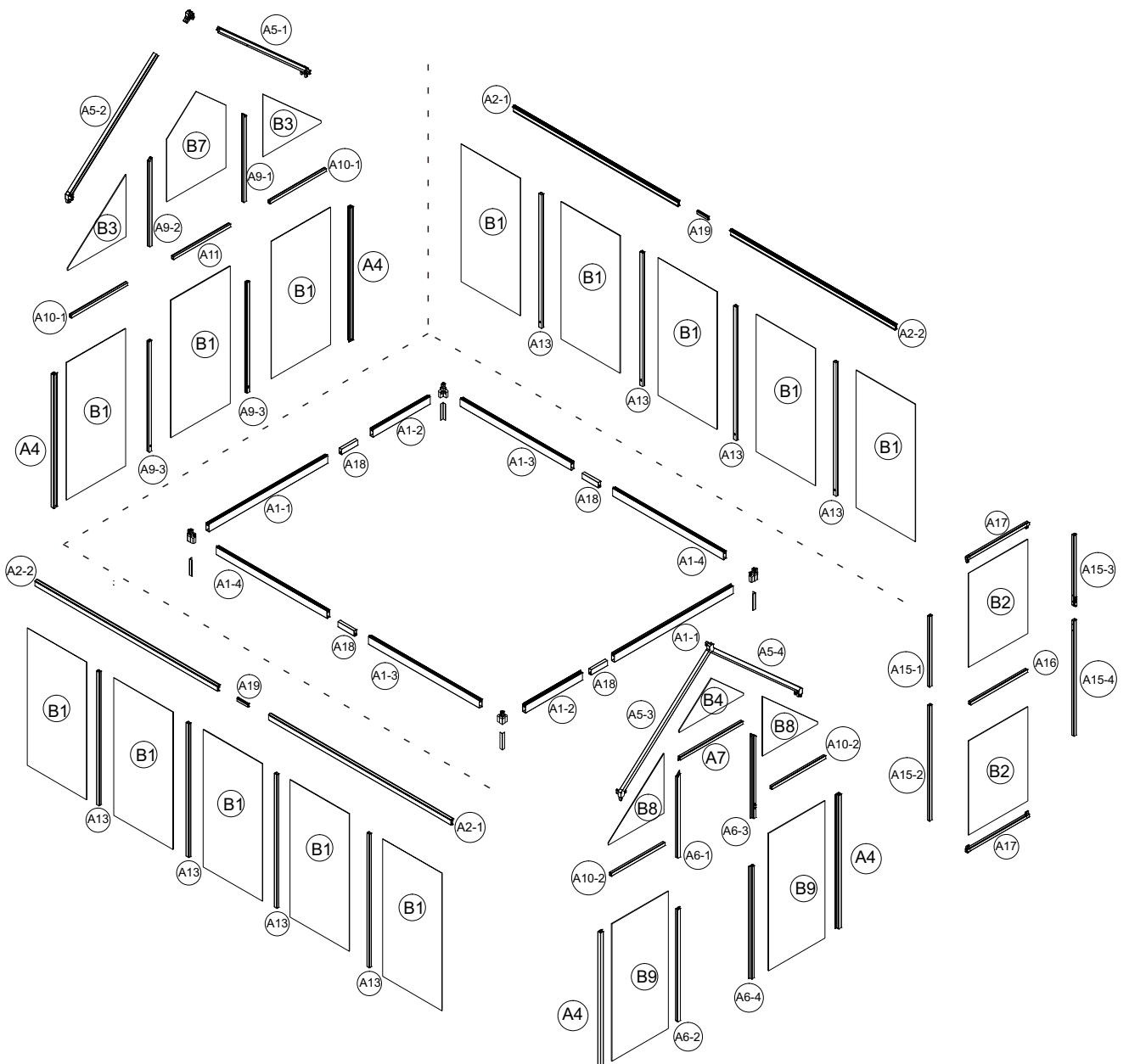
The white film faces outwards if applicable.



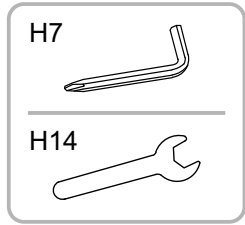
ROOF SECTION



WALL SECTION

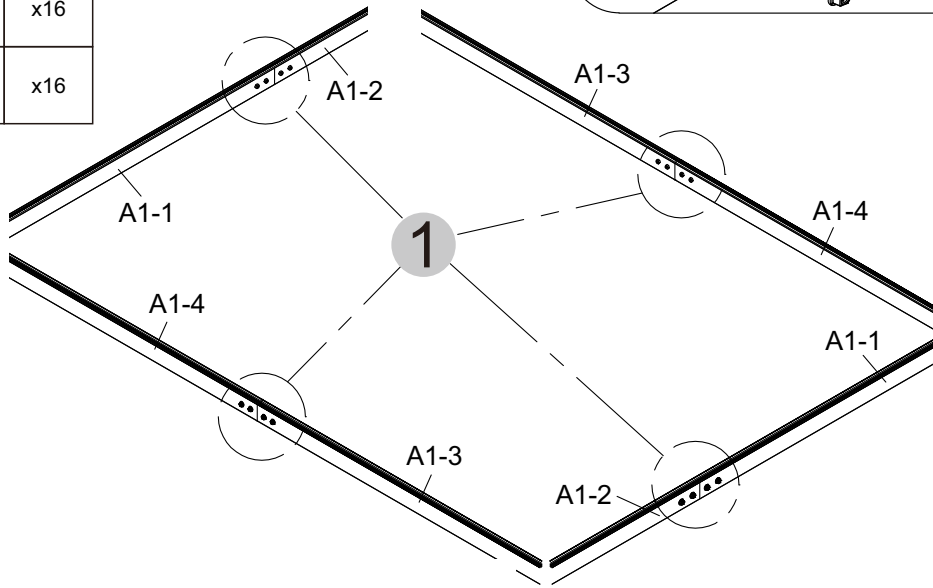
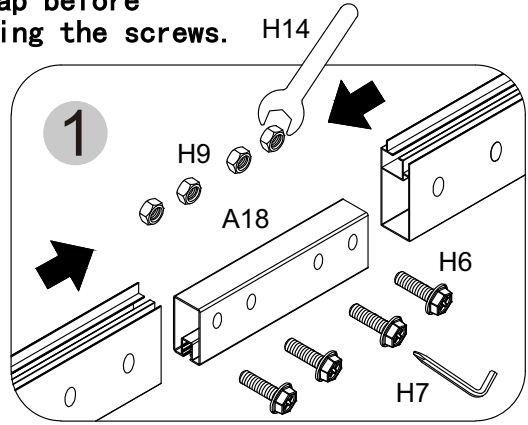


Picture	NO.	Qty.
	A1-1	x2
	A1-2	x2
	A1-3	x2
	A1-4	x2
	A18	x4
	H6	x16
	H9	x16

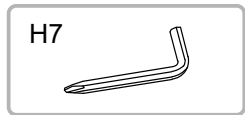


Please merge the fittings until there is no gap before tightening the screws.

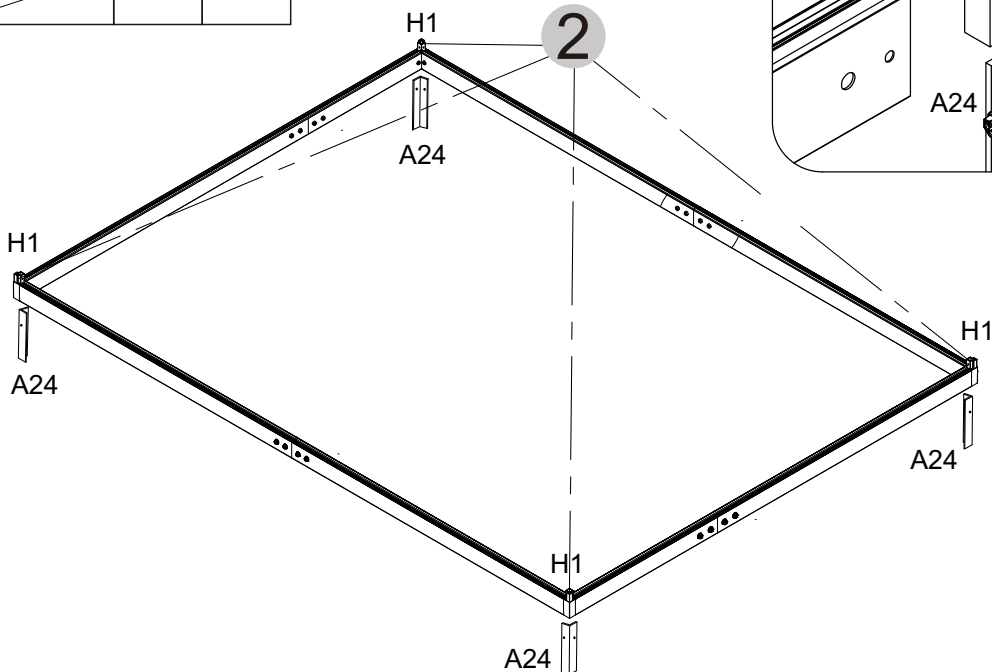
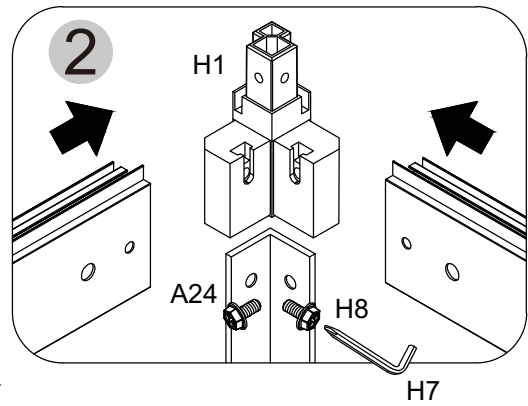
Step 1

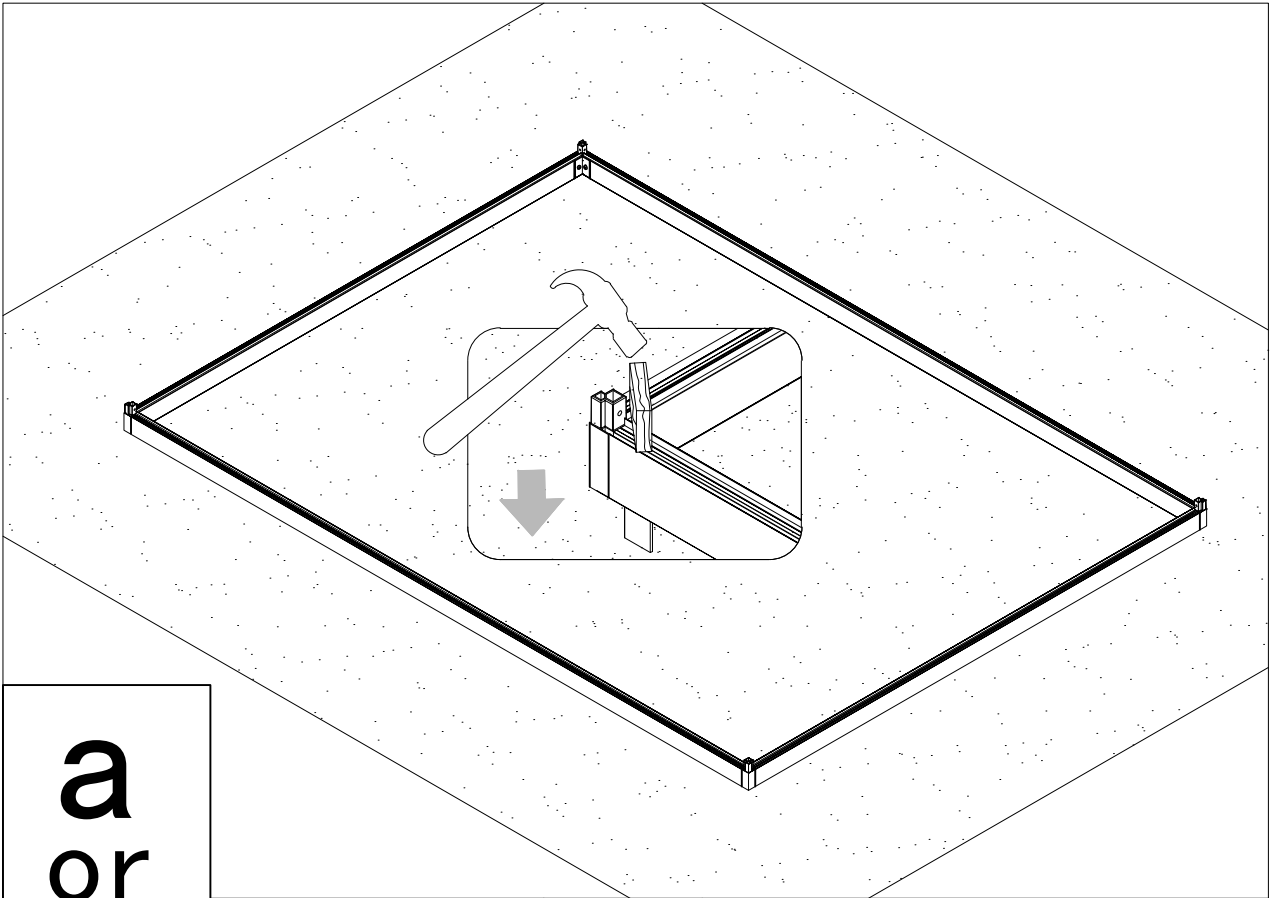


Picture	NO.	Qty.
	H1	x4
	H8	x8
	A24	x4

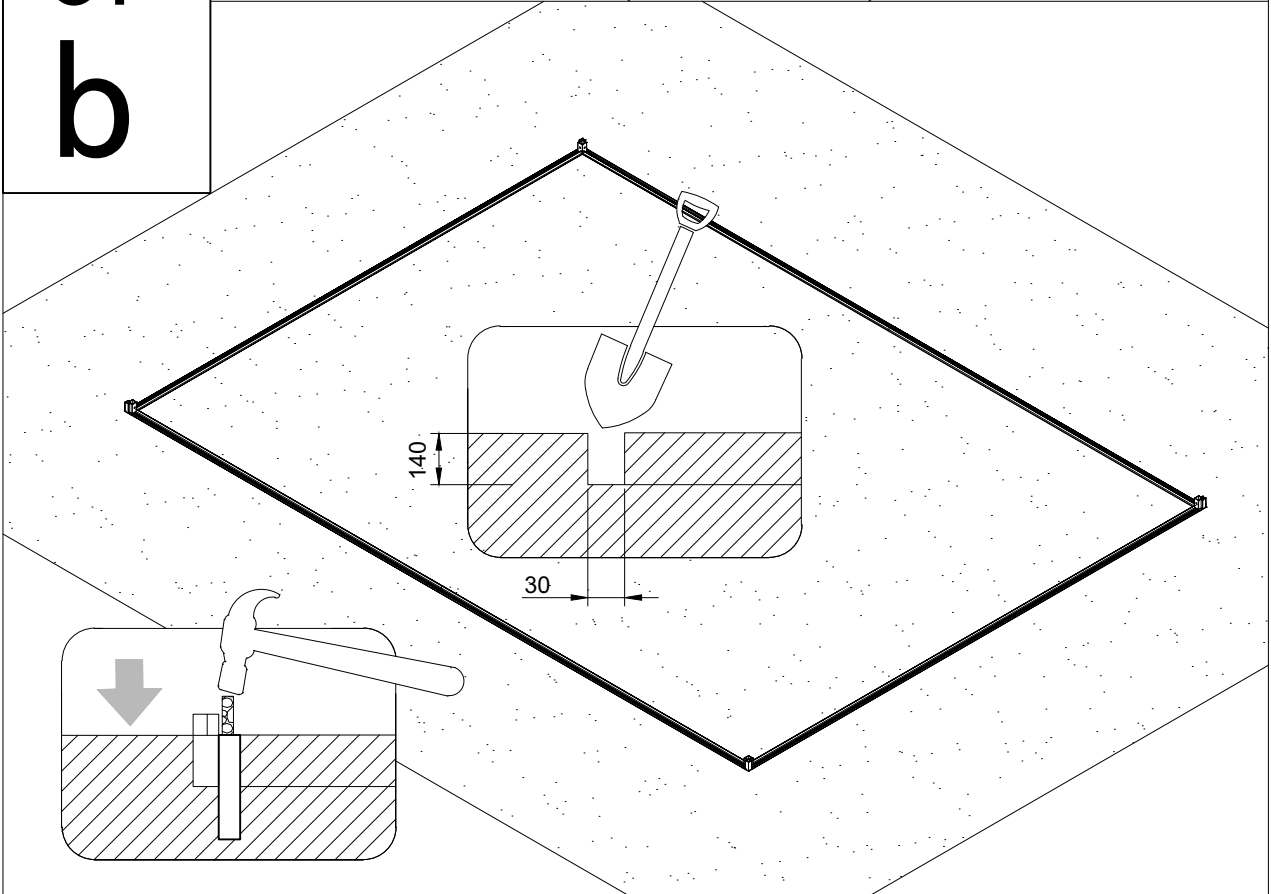


Step 2



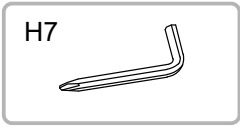


a
or
b

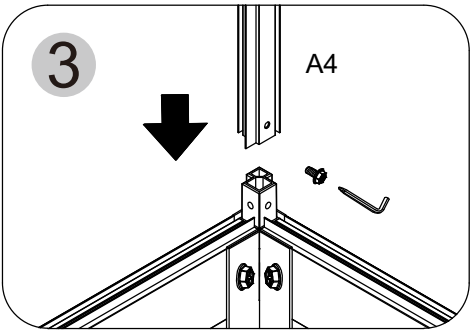
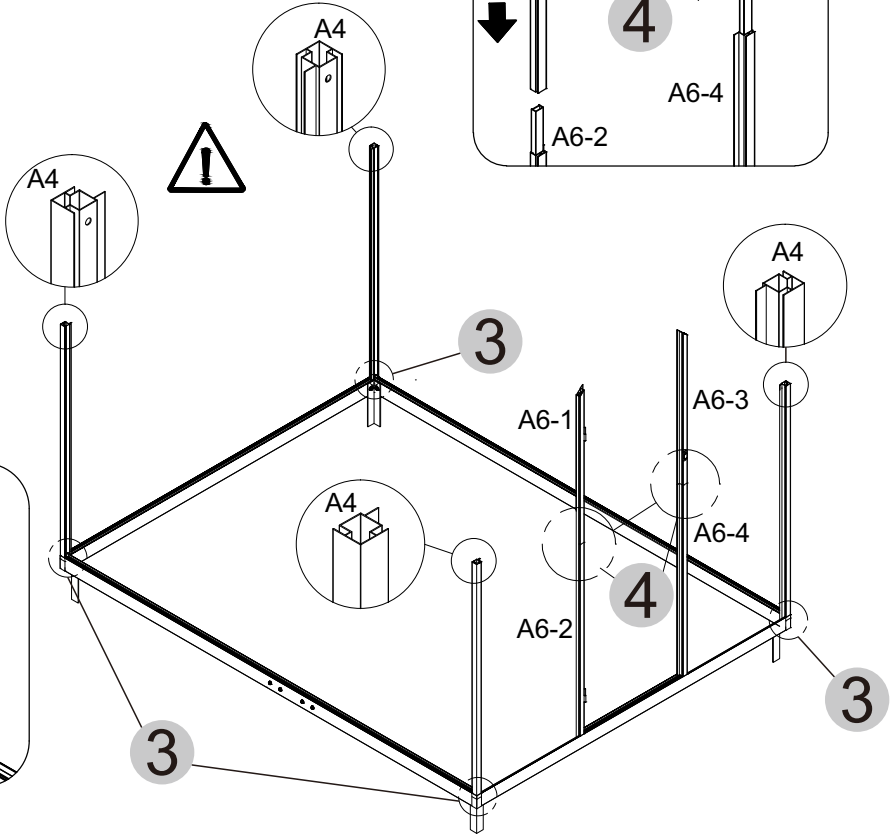
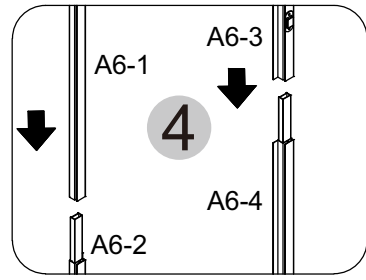


Step 3-4

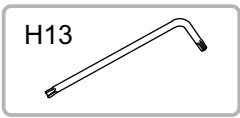
Picture	NO.	Qty.
	A4	x4
	A6-1	x1
	A6-2	x1
	A6-3	x1
	A6-4	x1
	H8	x4



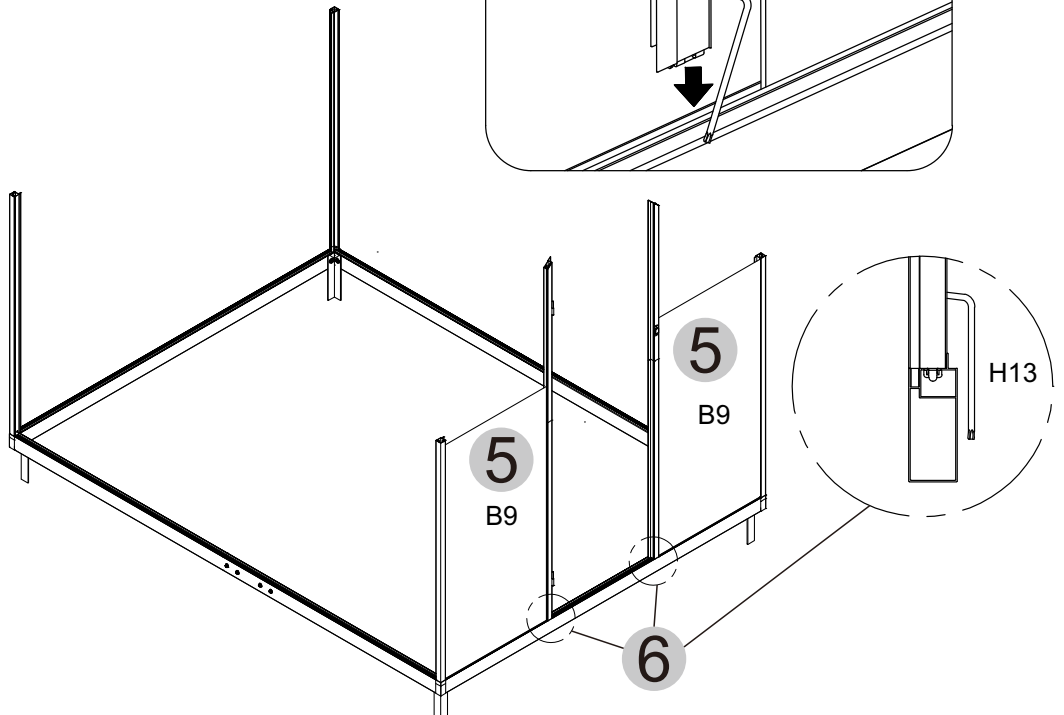
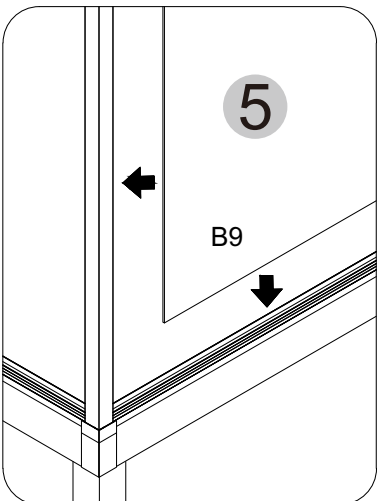
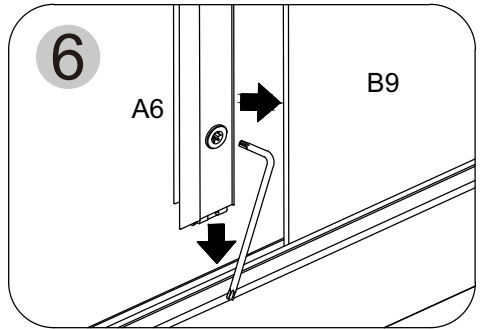
Please note the A4 orientation



Picture	NO.	Qty.
	B9	x2

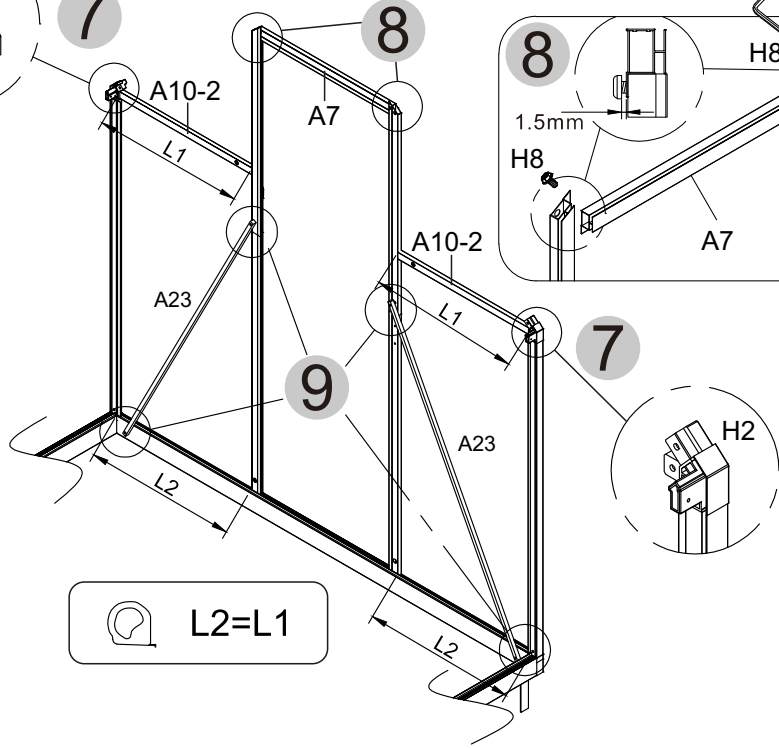
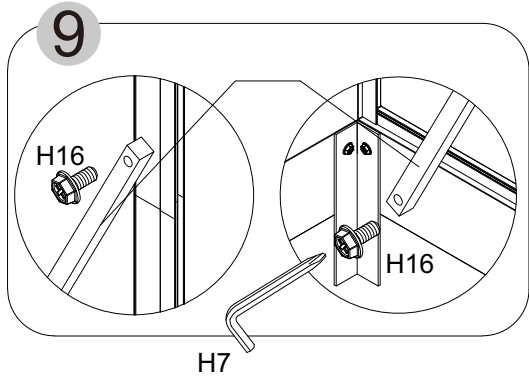
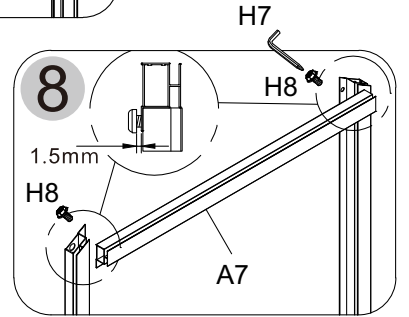
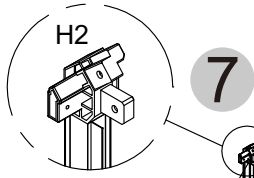
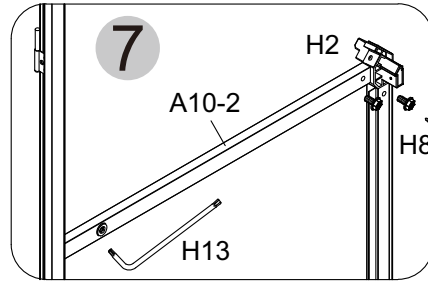
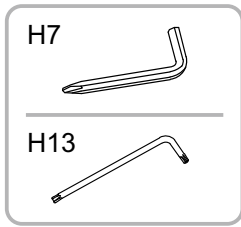


Step 5-6



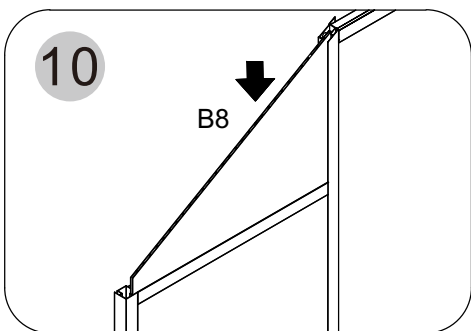
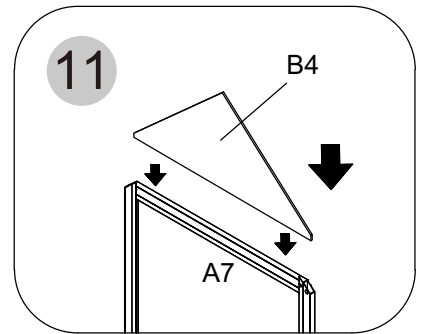
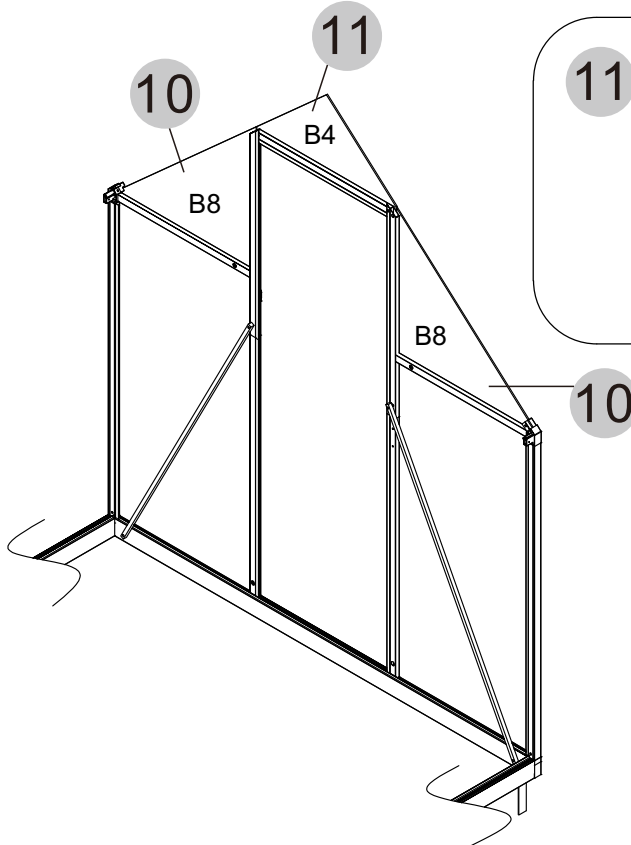
Step 7-9





Picture	NO.	Qty.
	A7	x1
	A10-2	x2
	A23	x2
	H2	x1
	H8	x6
	H16	x4

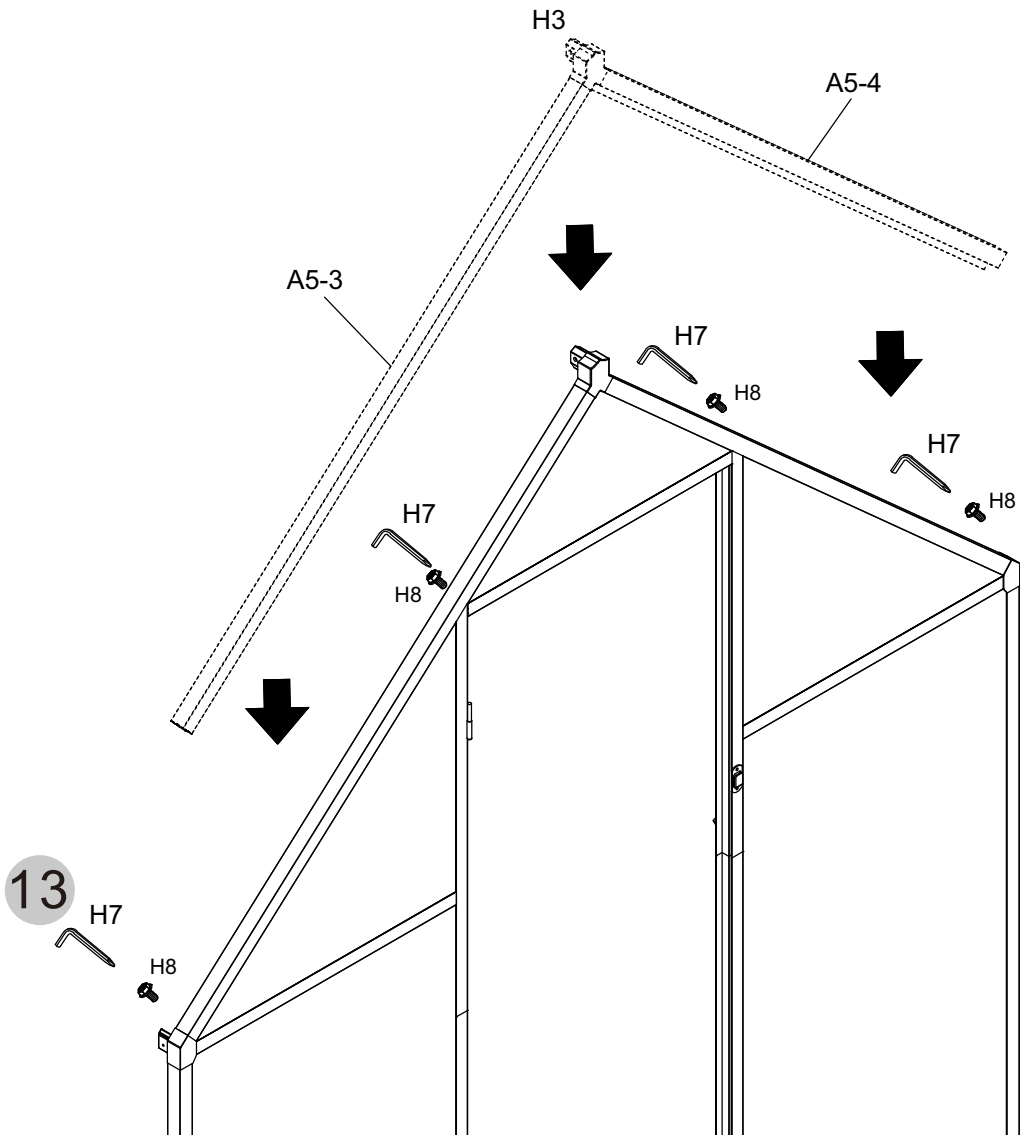
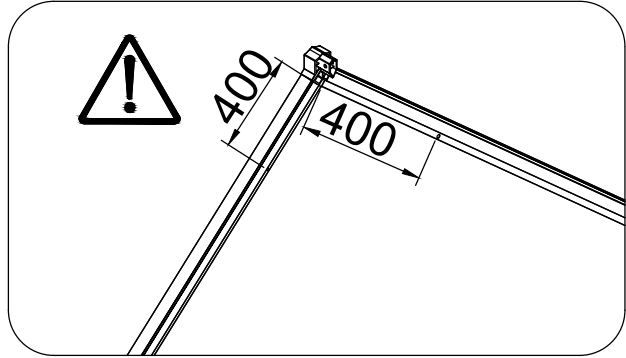
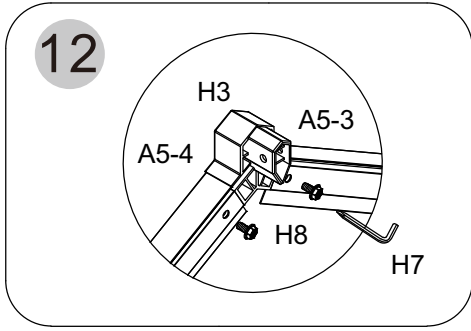
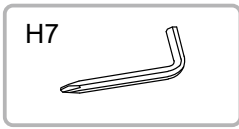


Step 10-11

Picture	NO.	Qty.
	B8	x2
	B4	x1

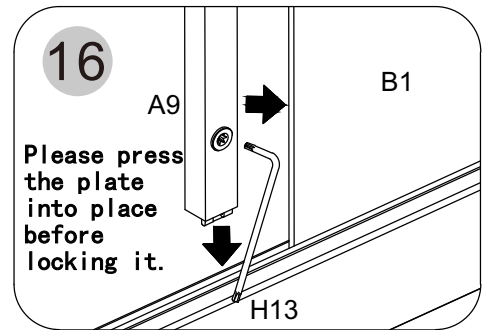
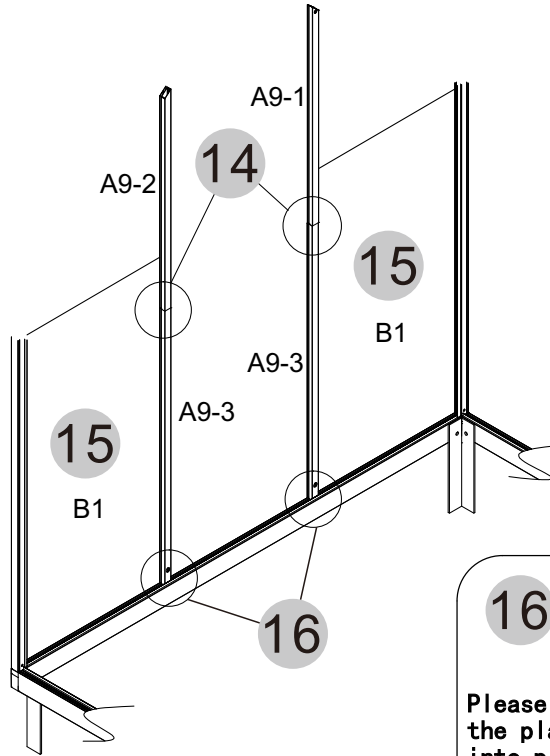
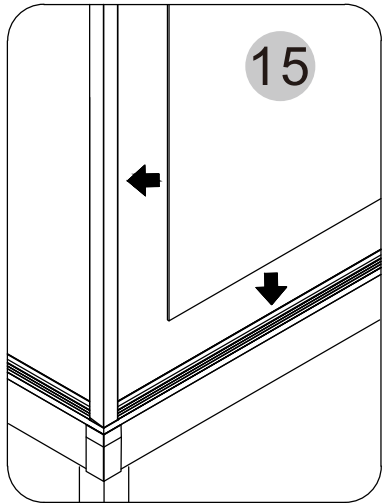
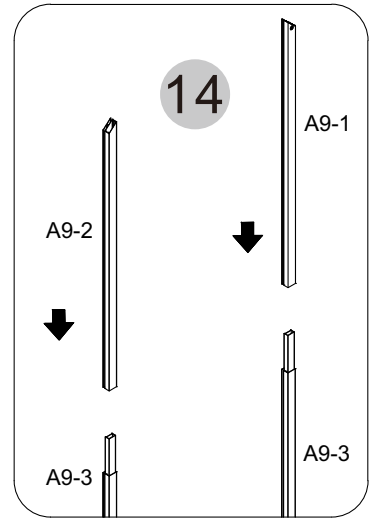
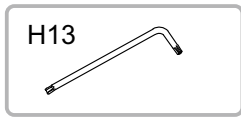


Picture	NO.	Qty.
	A5-3	x1
	A5-4	x1
	H3	x1
	H8	x6



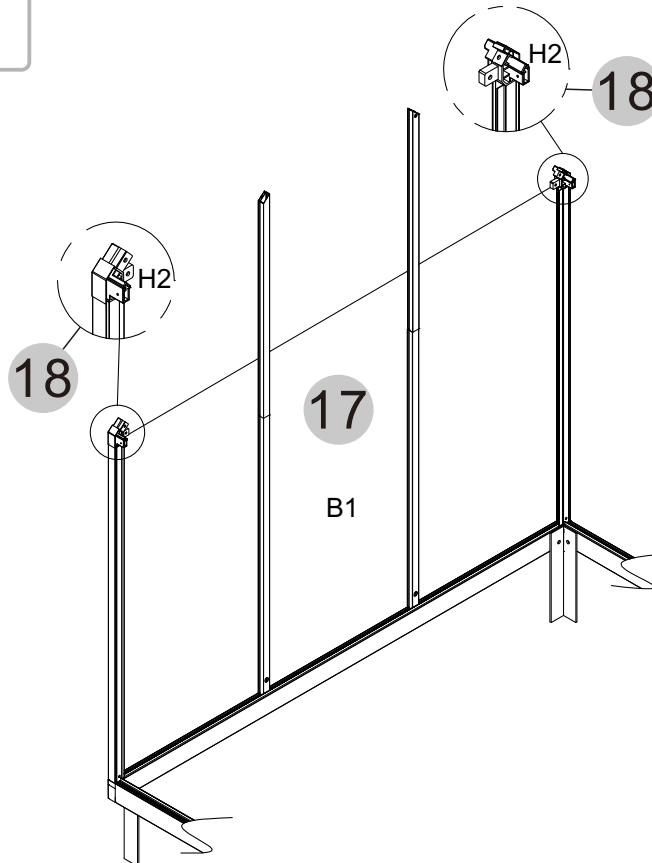
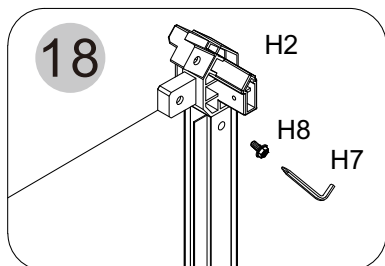
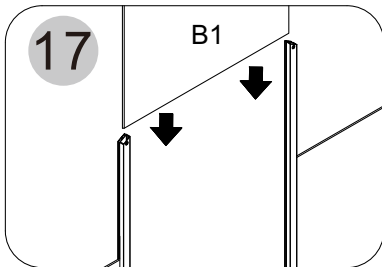
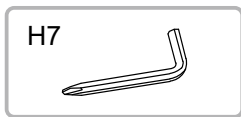
Step 14-16

Picture	NO.	Qty.
	A9-1	x1
	A9-2	x1
	A9-3	x2
	B1	x2

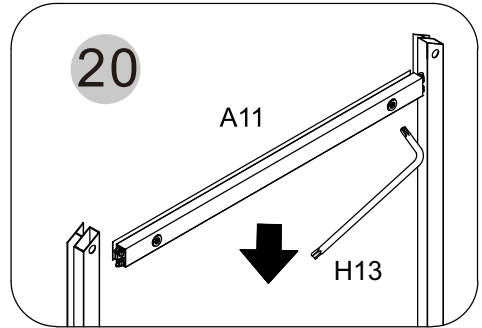
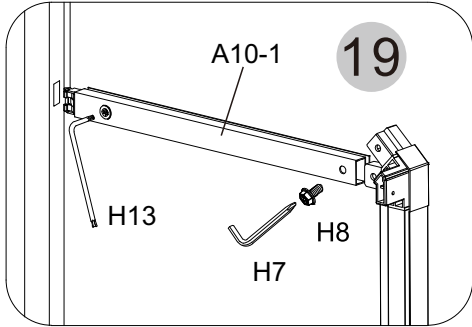
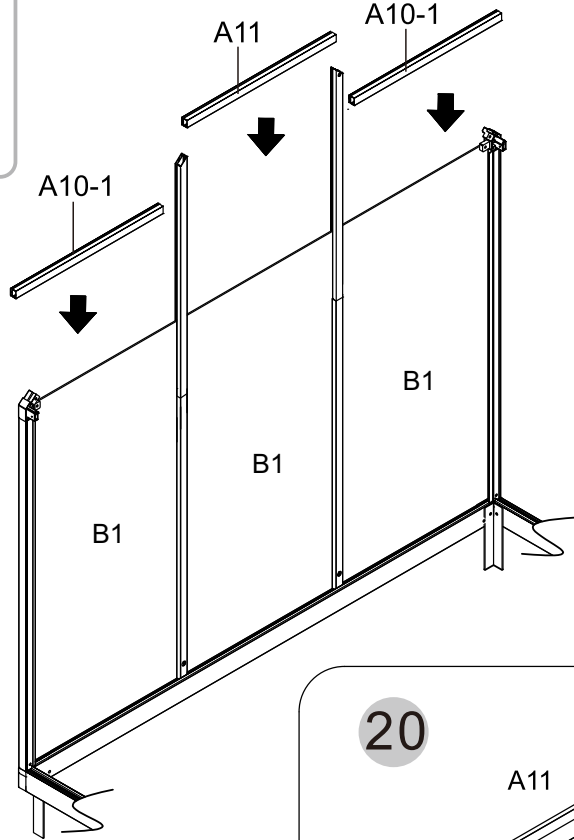
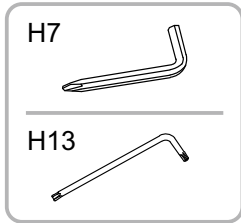


Step 17-18

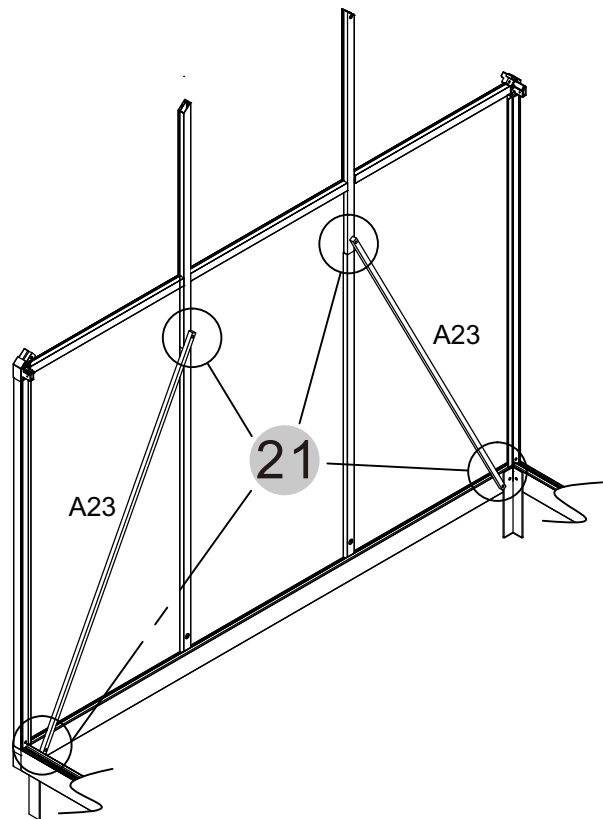
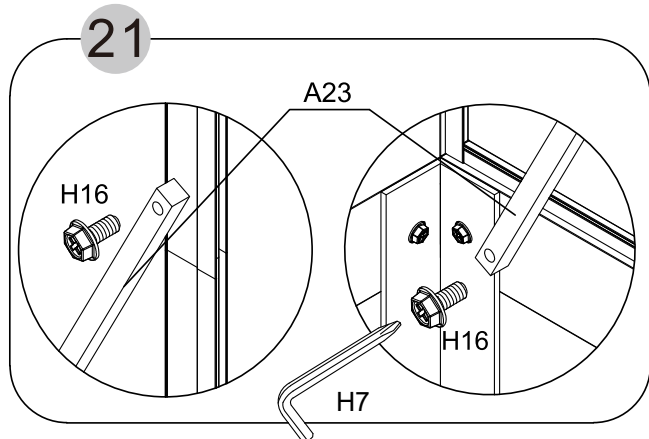
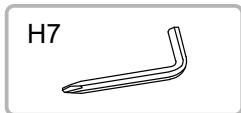
Picture	NO.	Qty.
	H2	x1
	H8	x2
	B1	x1



Picture	NO.	Qty.
	A10-1	x2
	A11	x1
	H8	x2

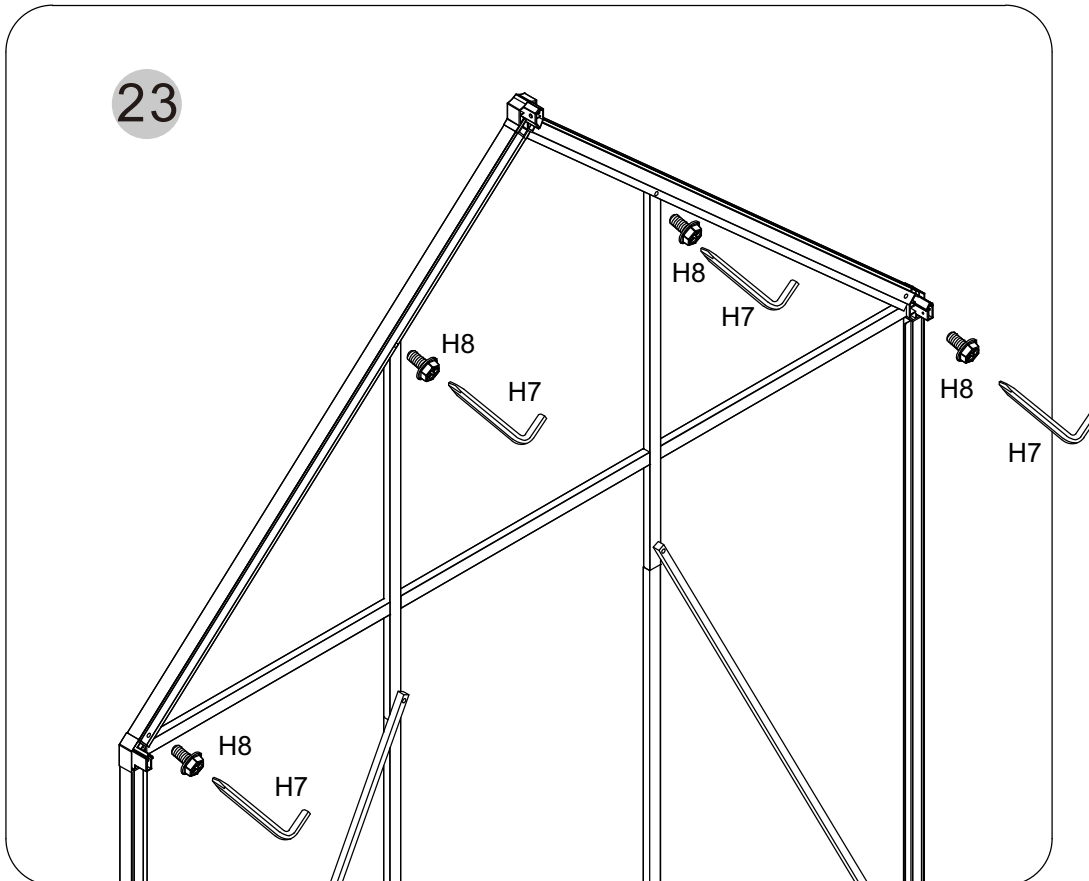
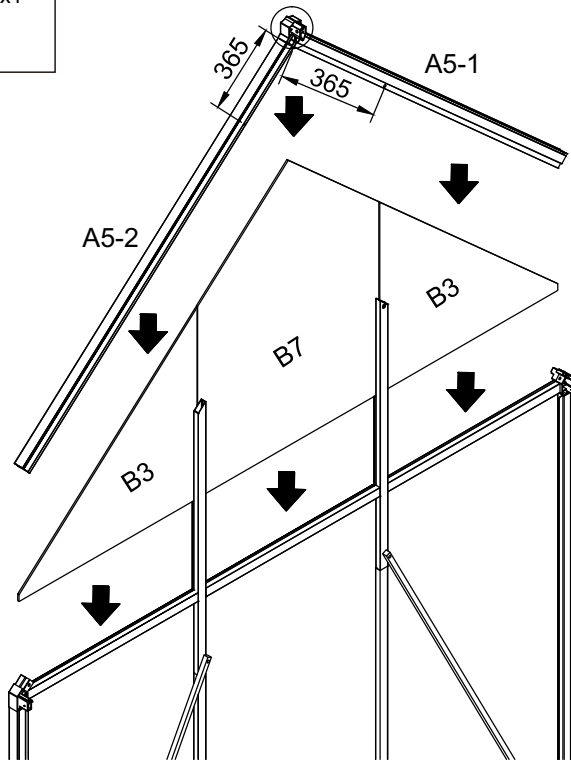
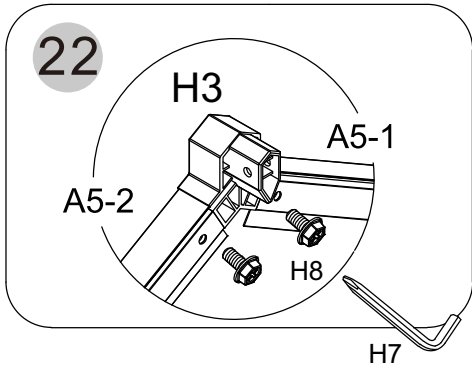
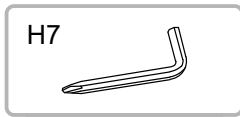


Picture	NO.	Qty.
	A23	x2
	H16	x4



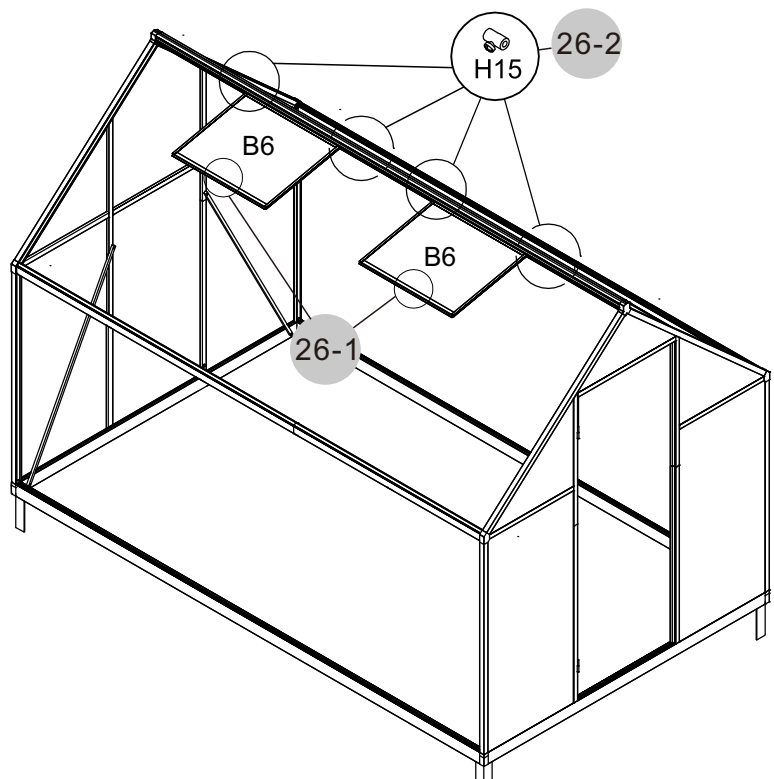
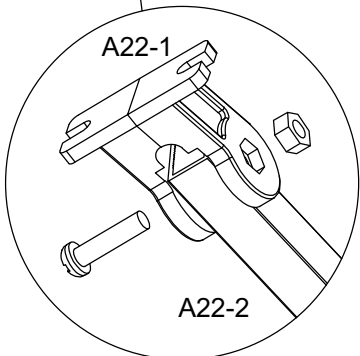
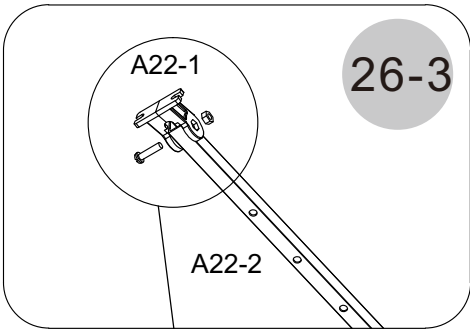
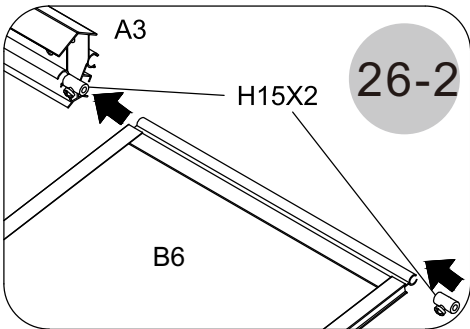
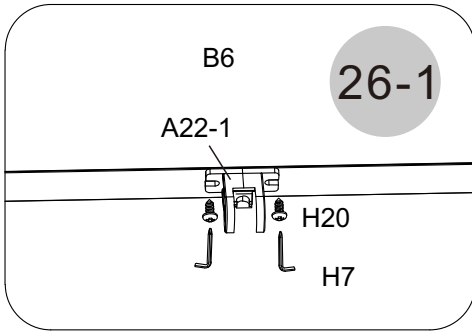
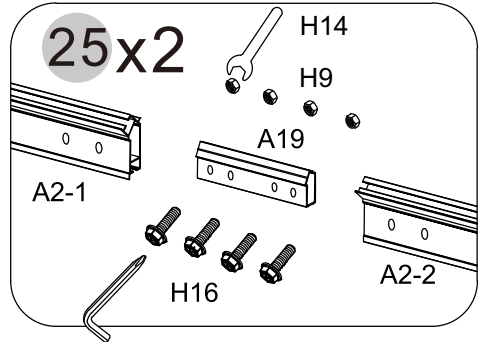
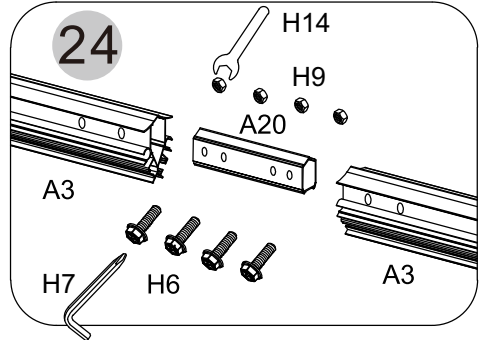
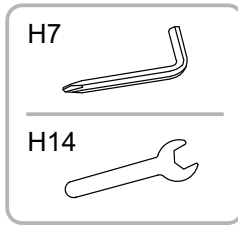
Picture	NO.	Qty.
	A5-1	x1
	A5-2	x1
	H3	x1
	H8	x6



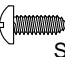
Picture	NO.	Qty.
	B3	x2
	B7	x1

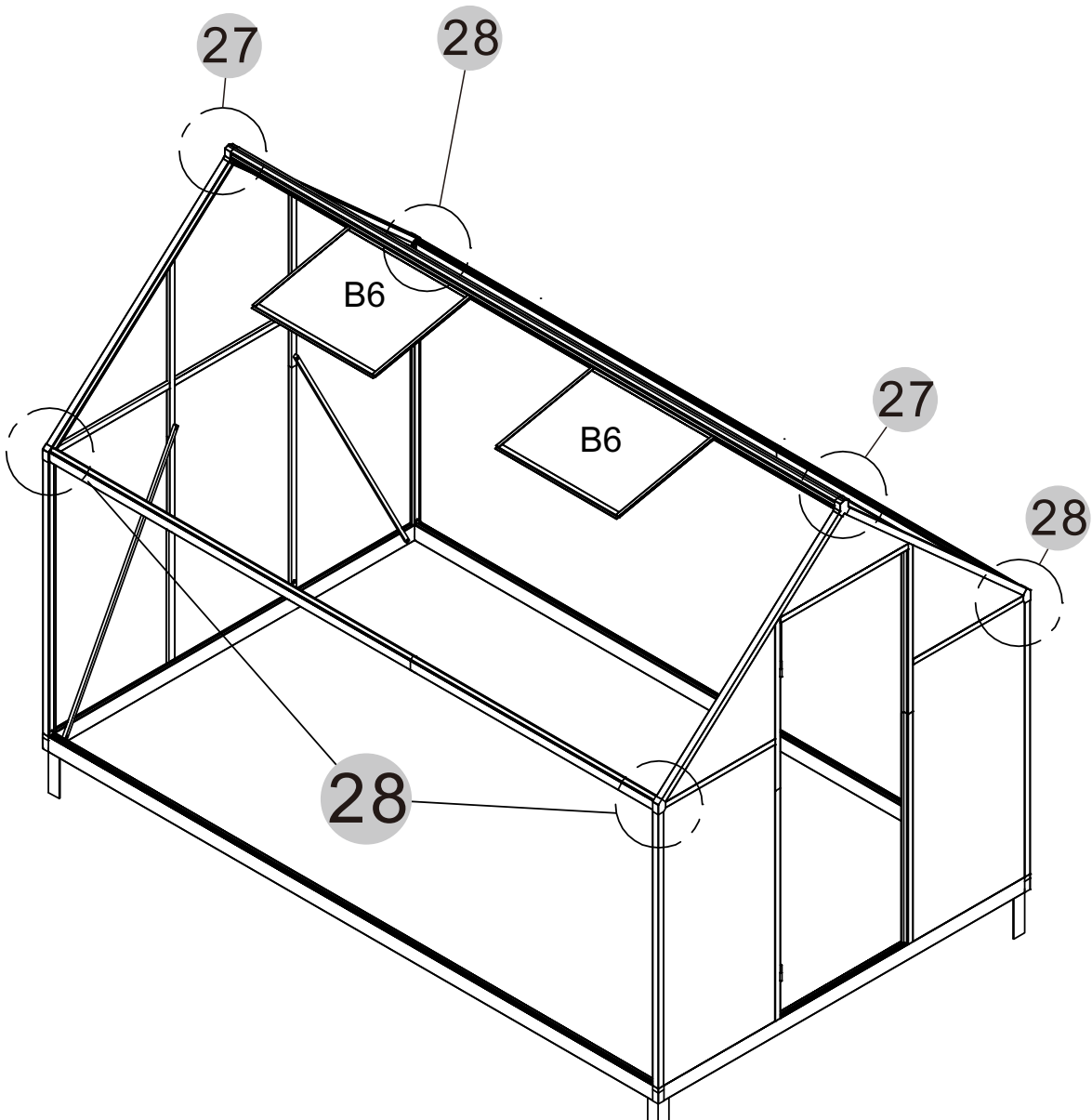
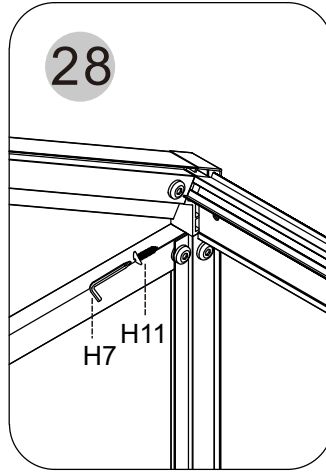
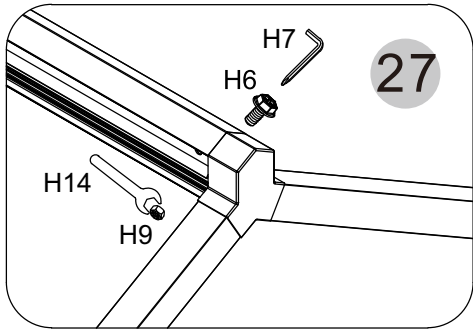
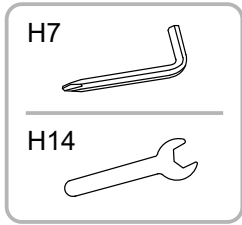


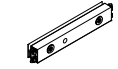
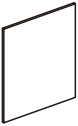
Picture	NO.	Qty.
	A2-1	x2
	A2-2	x2
	A3	x2
	A19	x2
	A20	x1
	A22-2	x2
	B6	x2

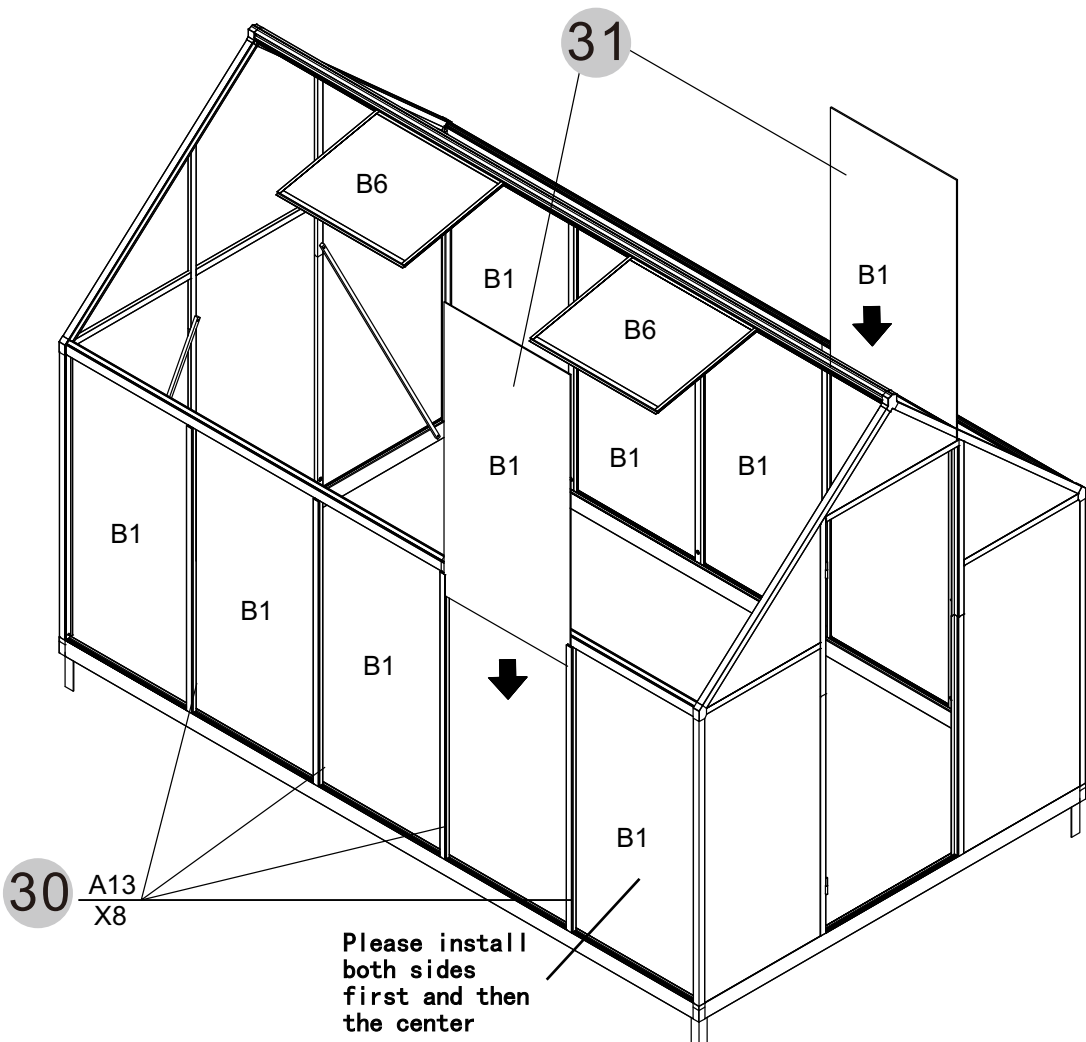
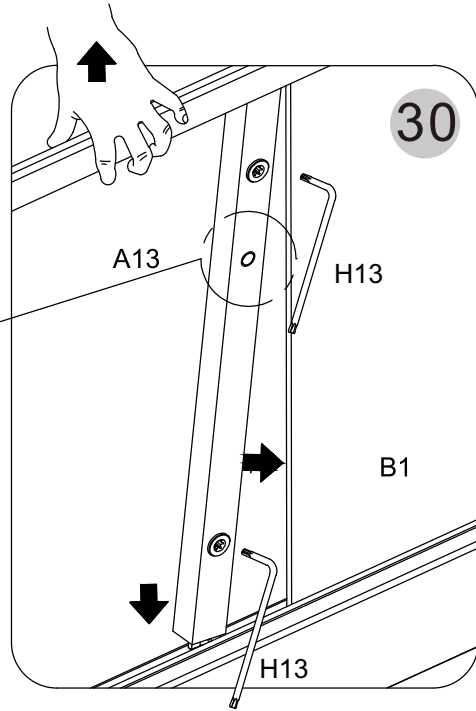
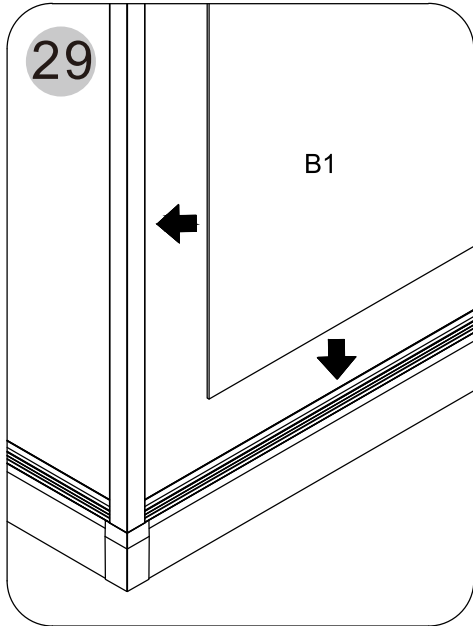
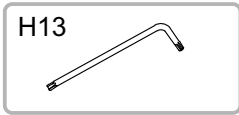
Picture	NO.	Qty.	
	M6x30	H6	x4
	M6	H9	x12
	H15	H15	x4
	M6x20	H16	x8
	St4x8	H20	x4
	A22-1	A22-1	x2



Picture	NO.	Qty.
 M6x30	H6	x2
 M6	H9	x2
 St5x10	H11	x4

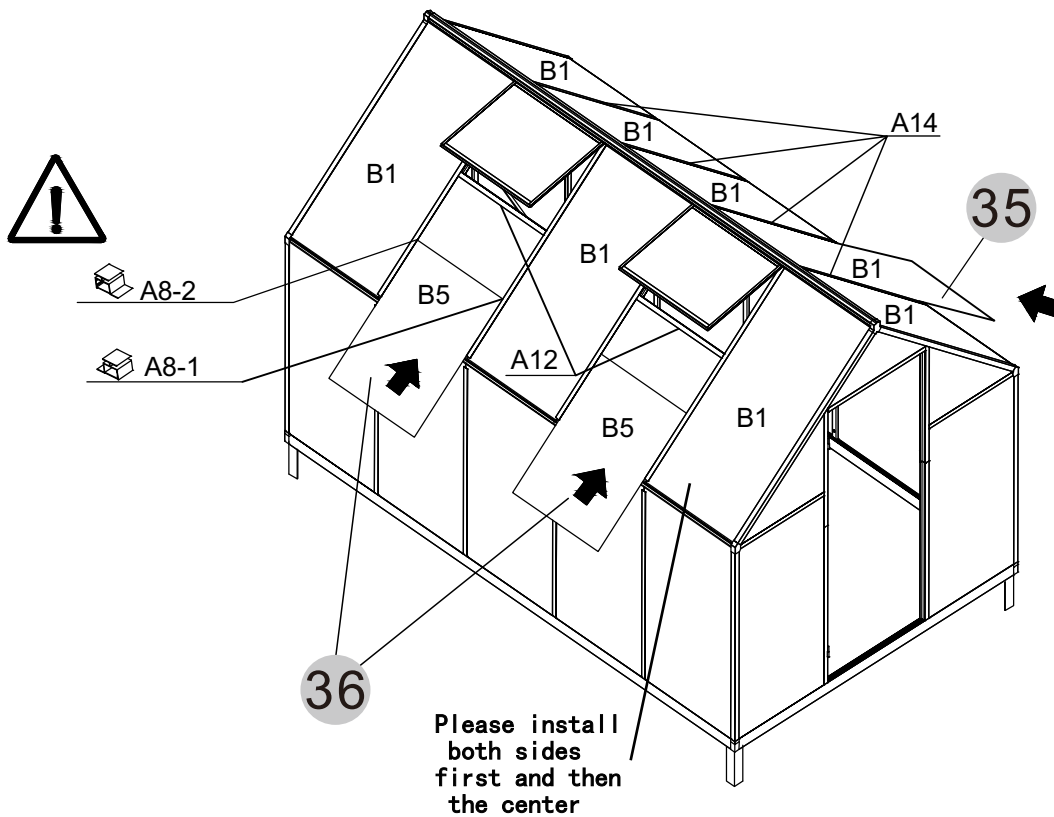
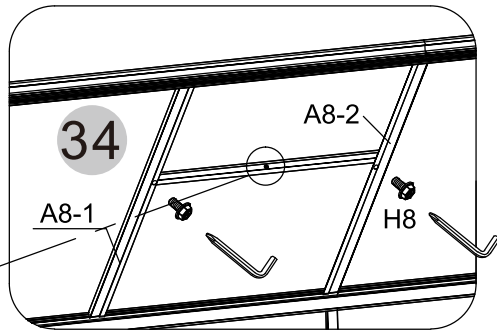
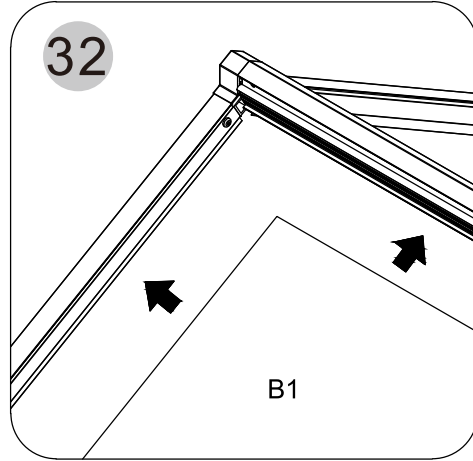
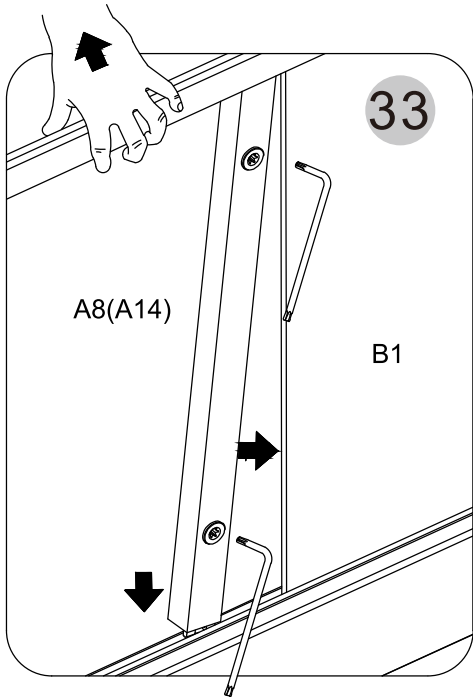
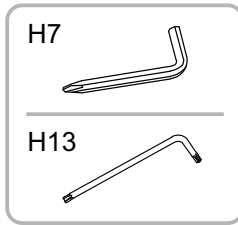


Picture	NO.	Qty.
	A13	x8
	B1	x10

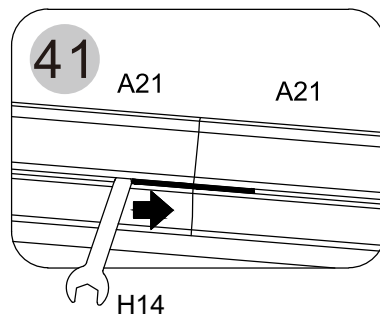
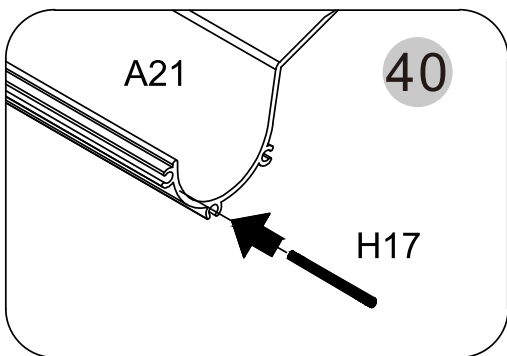
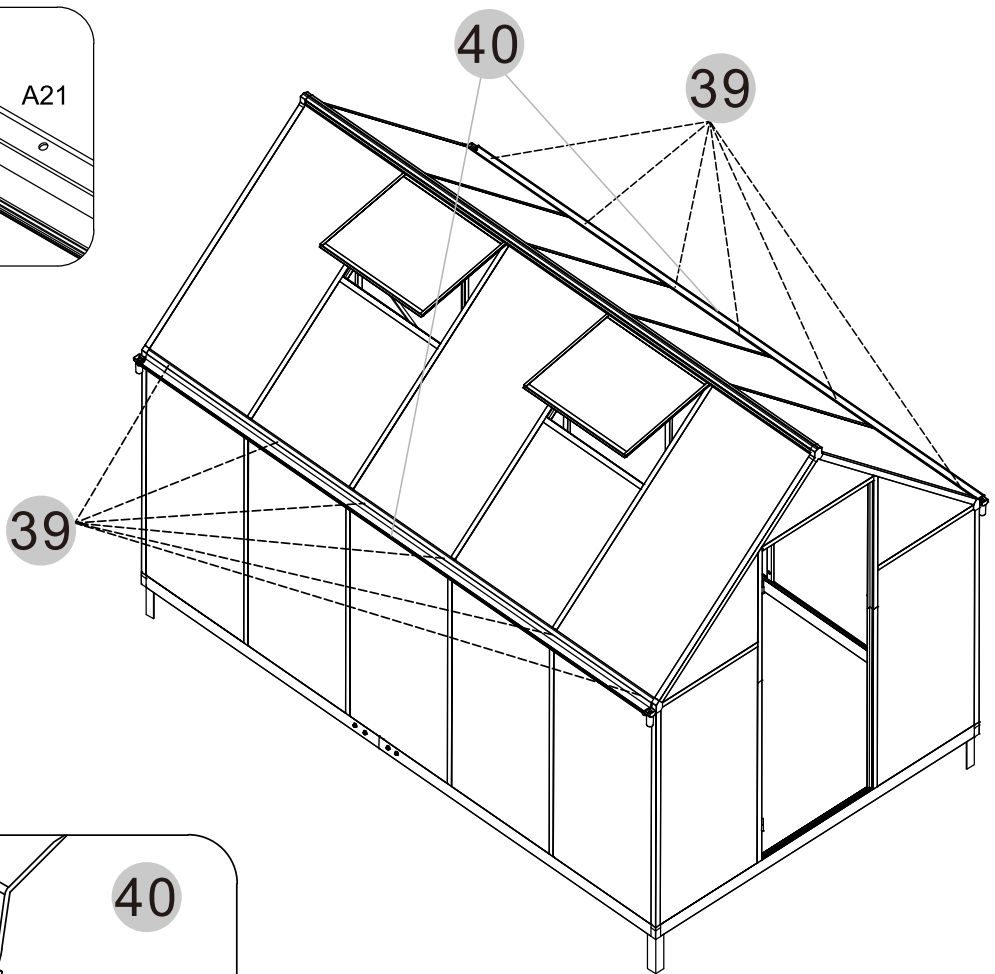
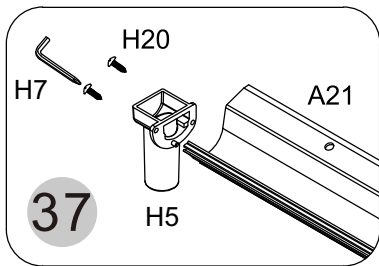
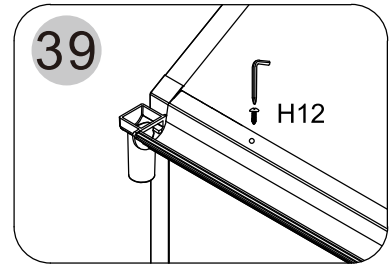
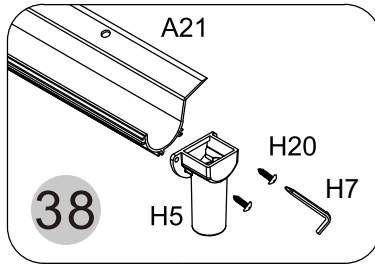
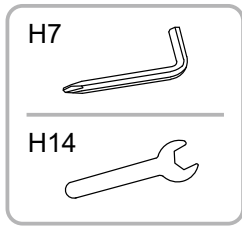




Picture	NO.	Qty.
	A8-1	x2
	A8-2	x2
	A12	x2
	A14	x4
	H8	x4

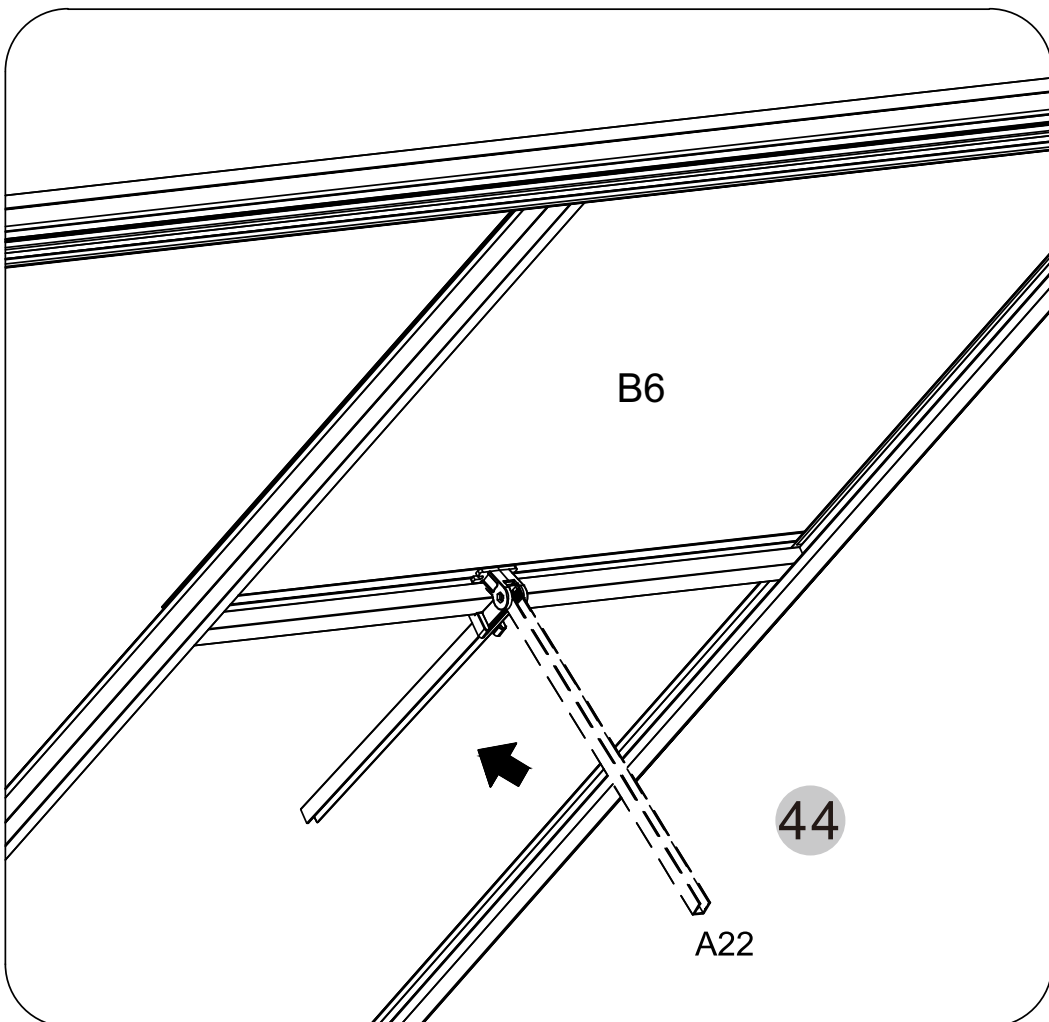
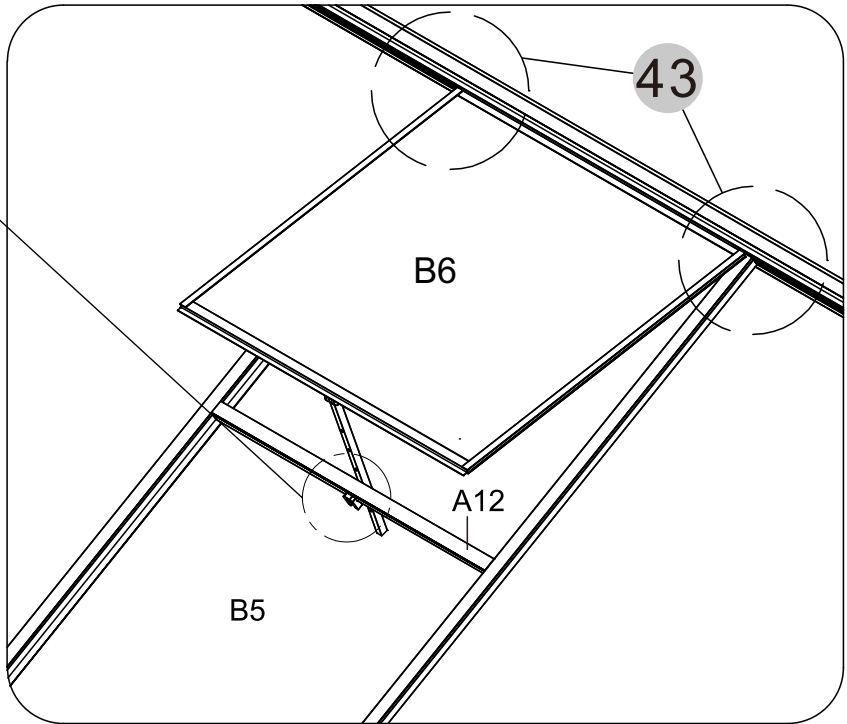
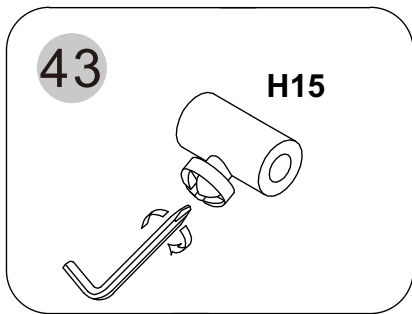
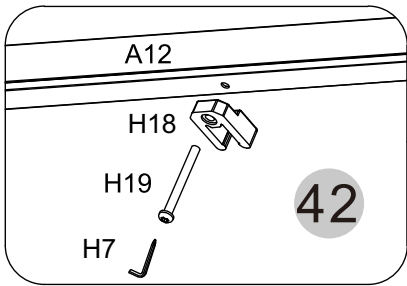
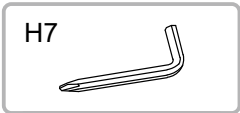
Picture	NO.	Qty.
	B1	x8
	B5	x2





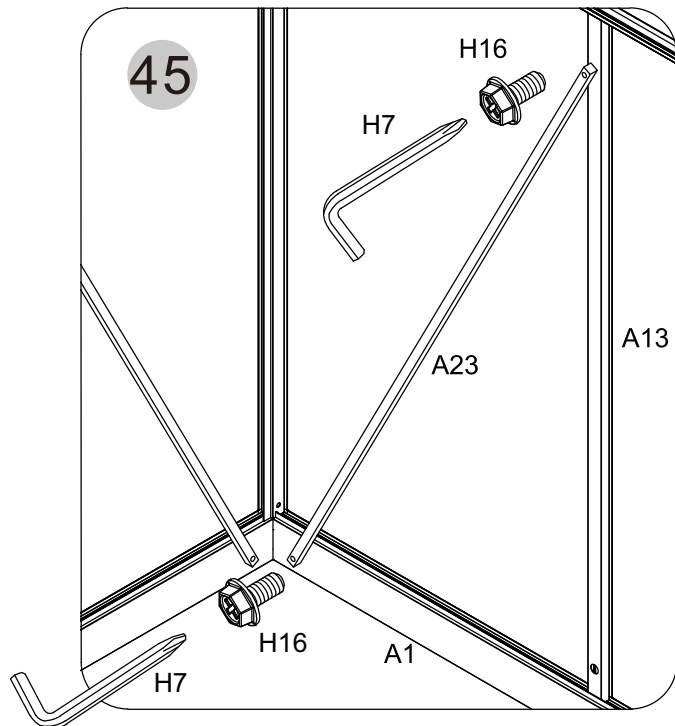
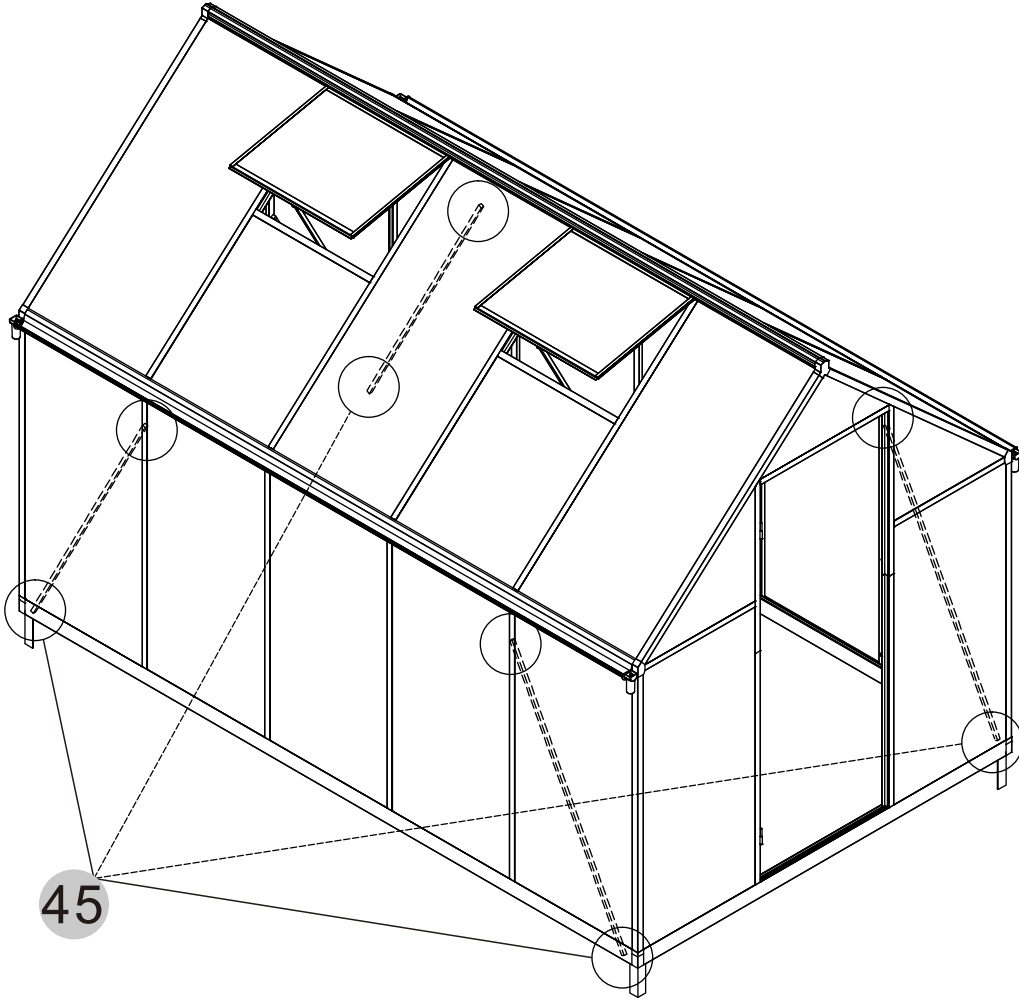
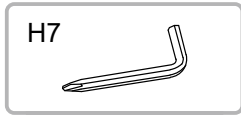
Picture	NO.	Qty.
	A21	x4
	H5	x2
	H12	x12
	H17	x2
	H20	x8



Picture	NO.	Qty.
	H18	x2
	M4X40 H19	x2

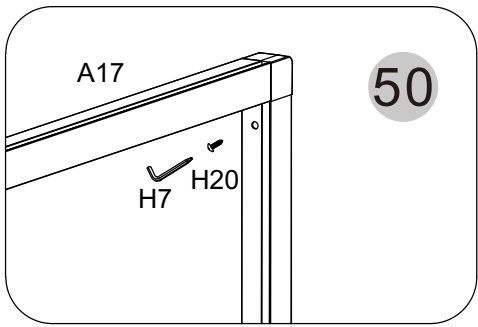
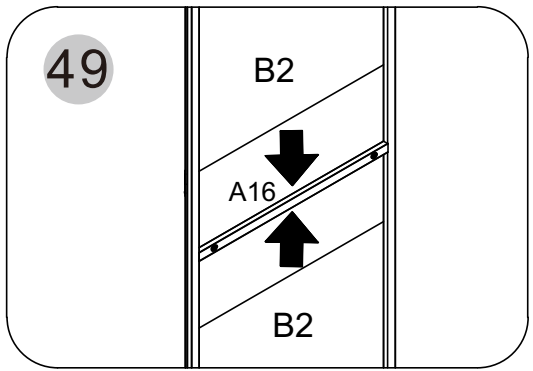
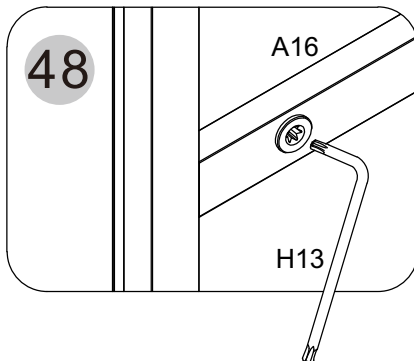
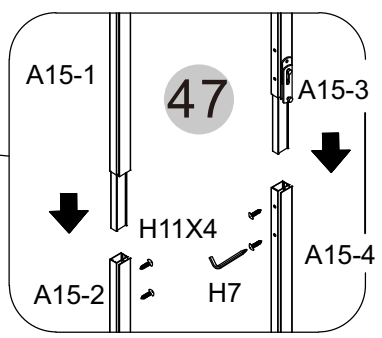
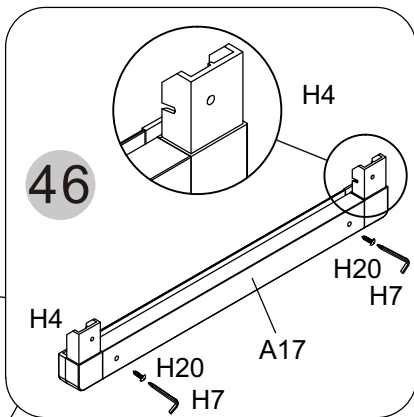
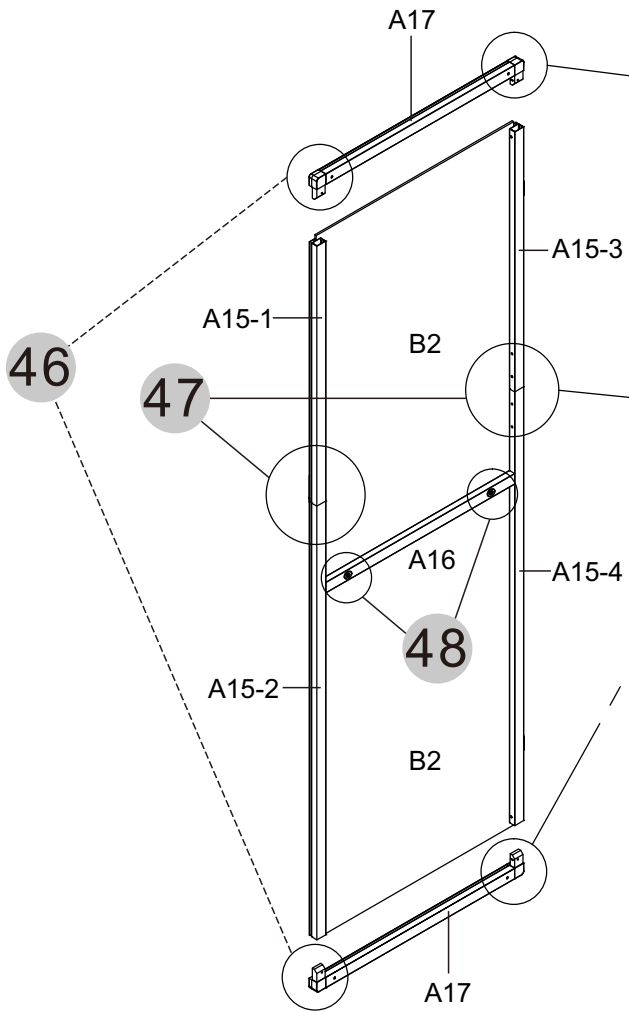
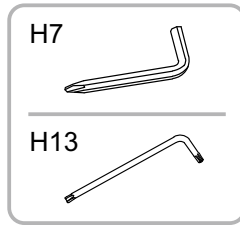


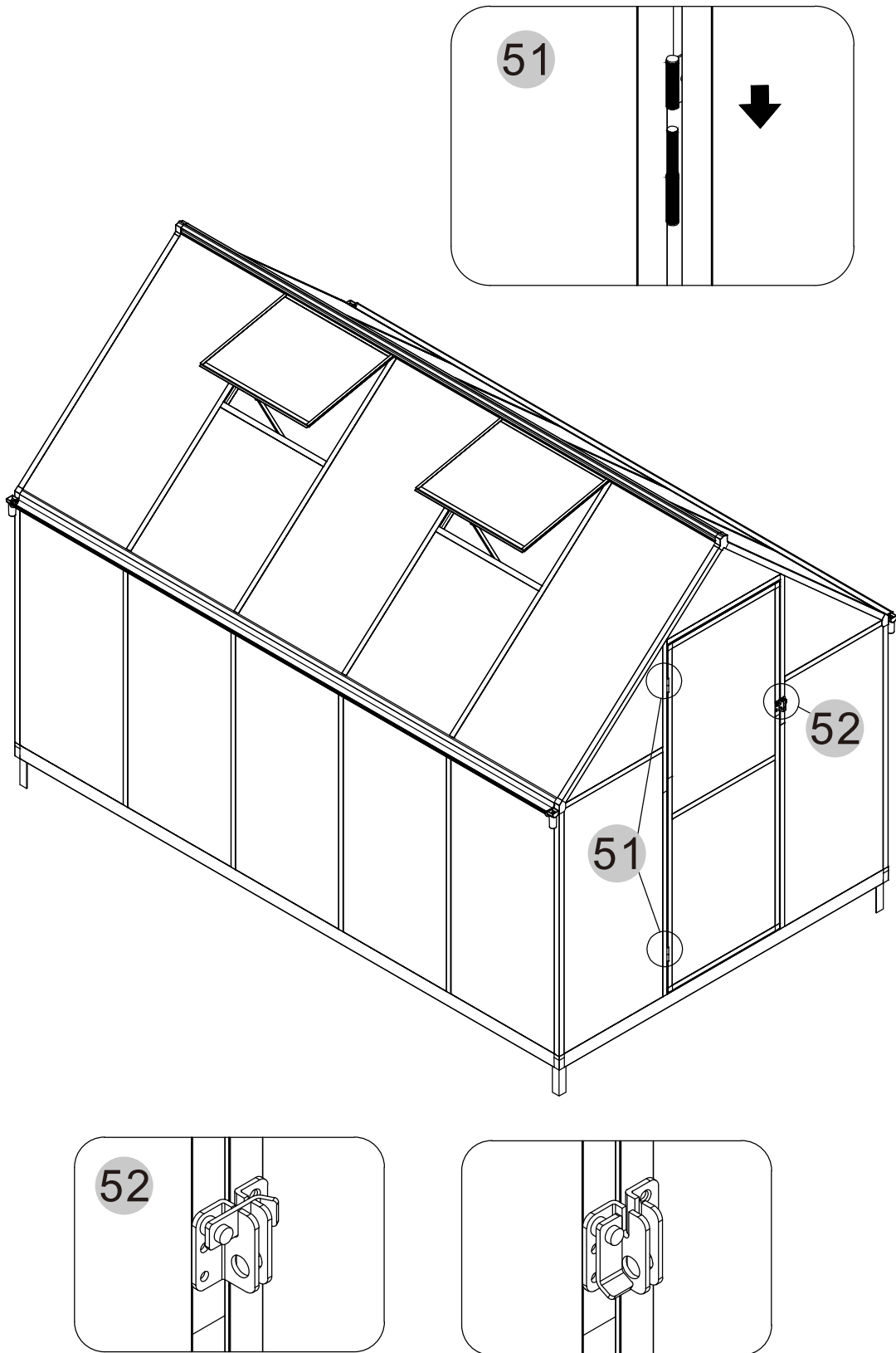
Picture	NO.	Qty.
	A23	x4
 M6x20	H16	x8



Picture	NO.	Qty.
	A15-1	x1
	A15-2	x1
	A15-3	x1
	A15-4	x1
	A16	x1
	A17	x2

Picture	NO.	Qty.
	H4	x2
	H11	x4
	H20	x8
	B2	x2





Check and tighten all screws to ensure that the greenhouse is sturdy.