

Assembly Instructions

End Table & Coffee Table



PARTS (included)

(A) Top (1)

(B) Leg Assembly (1)



HARDWARE (included)

1/4" x 2" Bolts (2)

Allen Wrench (1)

(a)

(b)



STEP 1

Unfold the leg assembly and place it on the top as shown in photo 1. Insert a 2" bolt through the predrilled hole in each leg and screw them into the metal inserts in the cross supports on the top. (See photo 2.)

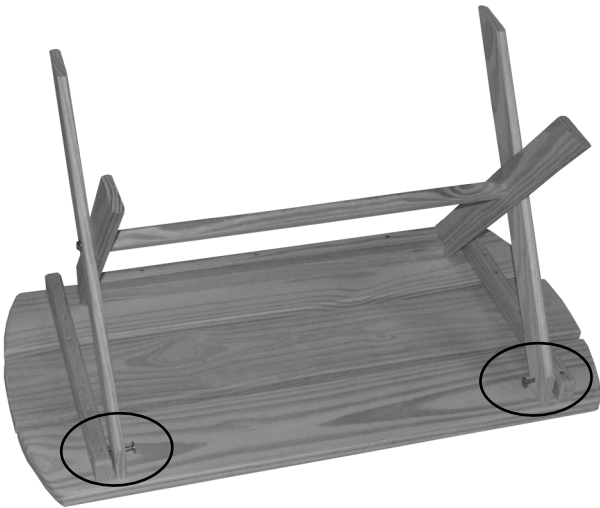


Photo 1

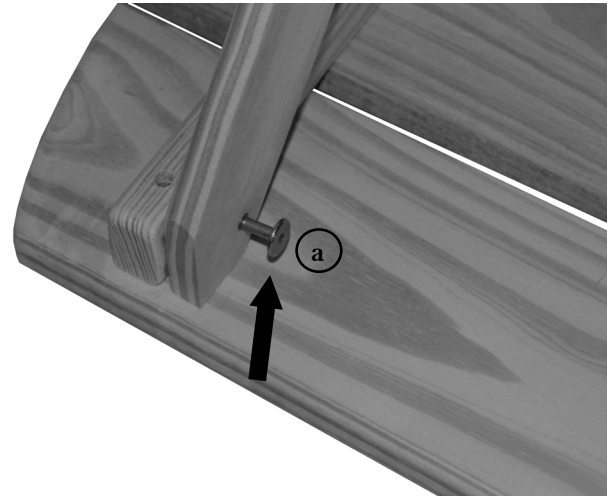


Photo 2

To fold the end table/coffee table for storage see photos 3, 4 and 5.



Photo 3

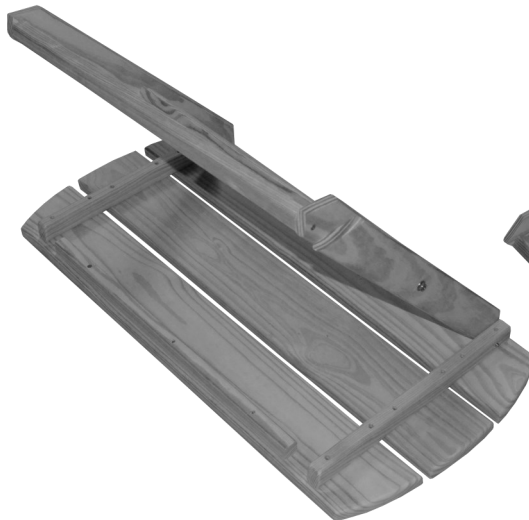


Photo 4



Photo 5