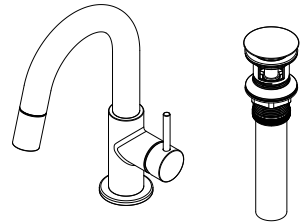




Installation Guide



**Circular
C-KBF1077**

Before Installation



CAUTION

Failure to read these instructions prior to installation may result in personal injury, property damage, or product failure. Manufacturer assumes no responsibility for product failure due to improper installation.



DO NOT RETURN TO STORE

If you have any trouble, contact us before reaching out to the retailer. We'll make it right. Our customer service team will be glad to assist you with any assembly, missing part or questions that you may have about your products.

Contact KIBI 📞 855-883-0888 ✉️ support@kibusa.com 🌐 www.kibusa.com

PRIOR TO INSTALLATION

- 1- For best results, we recommend that this unit be installed by a licensed, professional plumber.
- 2- Please read over these instructions thoroughly before beginning installation. Make sure that you have all tools and supplies needed to complete the installation.
- 3- Please flush the water system to ensure that no metal swarf, solder, and other impurities can enter the faucet that might damage the cartridge. (Most of the leakages and water flow issues are from avoiding this very necessary step).
- 4- Turn off the hot and cold water lines at the angle valve and turn on the old faucet to release any built-up pressure.
- 5- Keep this booklet and the receipt (or other proof of date and place of purchase) for this product in a safe place. The receipt is required should it be necessary to request warranty parts.
- 6- Please keep the box and packaging materials until your product is completely installed and functional.

Cleaning and Care

Clean the faucet often with a soft cloth to keep it looking like new. For heavy cleaning you can use mild liquid detergents or non-abrasive liquid polisher. Rinse with water and dry with a soft cloth. Avoid abrasive cleaners, steel wool and harsh chemicals as these will dull the finish and void your warranty.

Tools you may need



Plumbers Tape



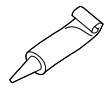
Safety Glasses



Phillips Screwdriver



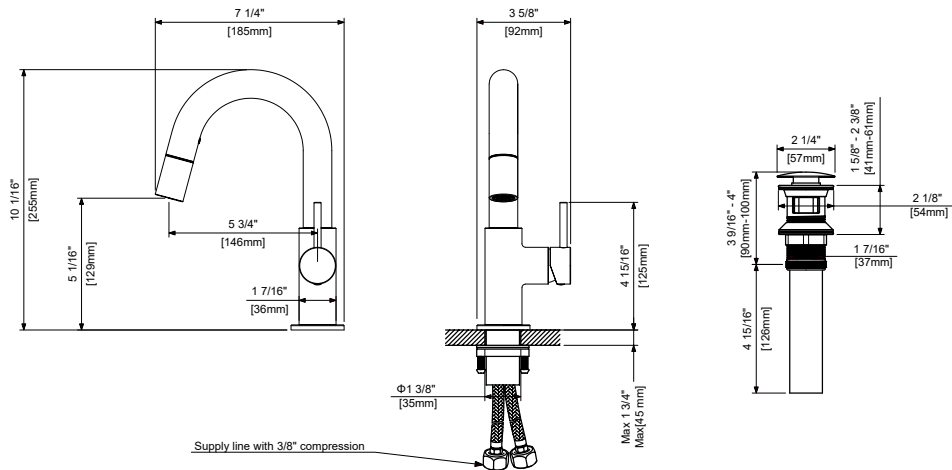
Wrench



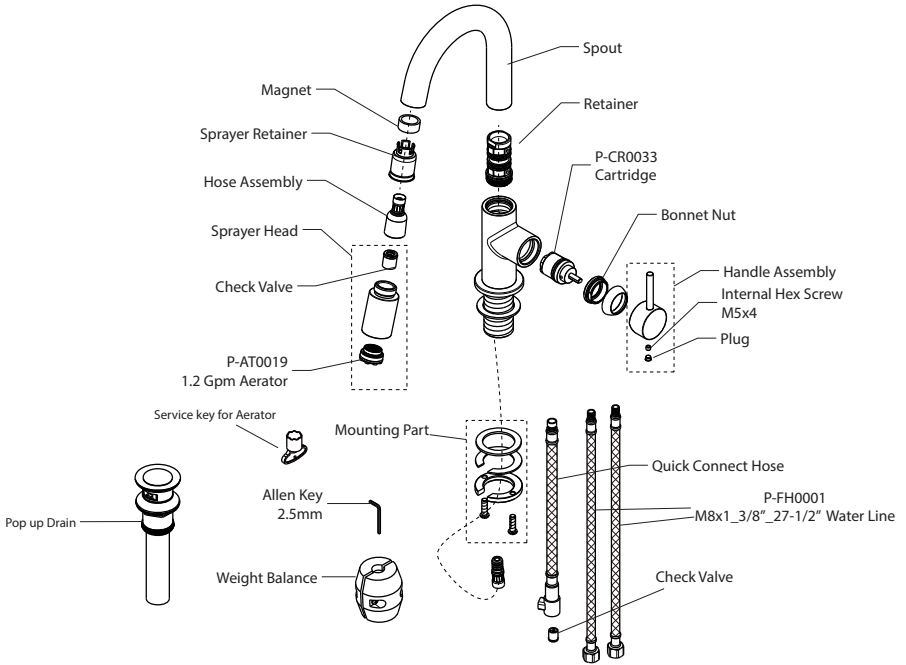
Silicone sealant

Dimensions

Critical dimensions show in mm

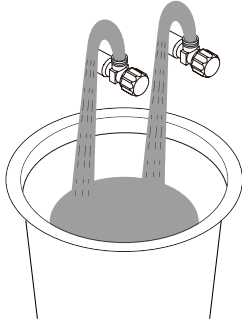


Parts List



Faucet Installation

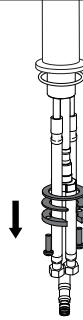
1



Shut off water suppliers. Remove the old faucet, clean the mounting surface.

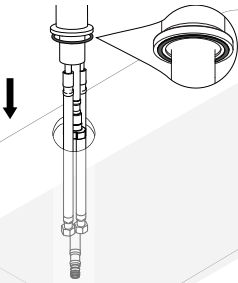
Note: For first time install, flush the pipes first by open the angel valve to run 60s.

2



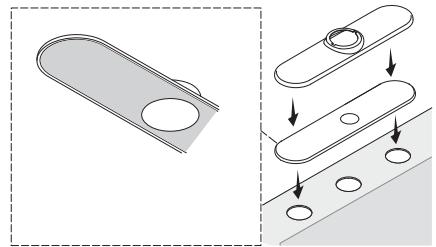
Remove the mounting hardware from the mounting pipe.

3A For Single-Hole Sinks:



Put the rubber O-ring into the bottom gap of faucet then Insert faucet into faucet hole.

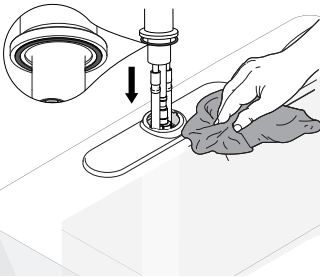
3B For Three-Hole Sinks:



Place stainless (non-staining) deck plate and deck plate gasket onto sink, secure it with silicone.

Note: the deck plate need purchase separately.

4B For Three-Hole Sinks:



Position the flexible hose as shown and fix it to the faucet.

5

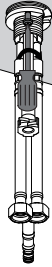


Connect and tighten the supply hoses by using two adjustable wrenches (avoid twisting or kinking). Turn on the angle valve and check for leaks.

Note: Do not remove the net filter that attached into the connecting end!

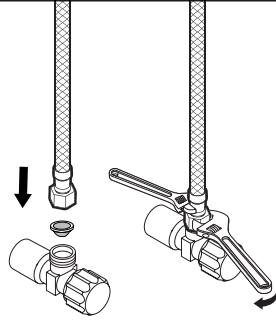
Faucet Installation

6



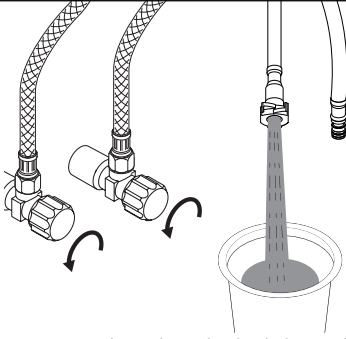
Adjust position of faucet body if necessary, Then tighten the mounting nuts with phillips screwdriver until snug.

7



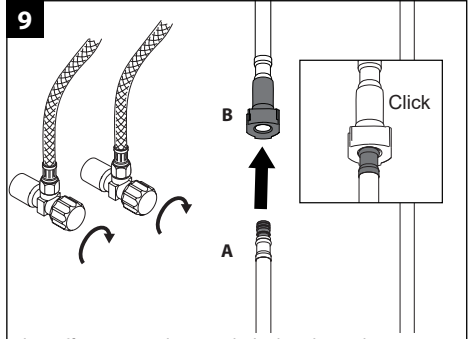
Connect and tighten the supply hoses by using two adjustable wrenches (avoid twisting or kinking).
Note: Do not remove the net filter that attached into the connecting end!

8



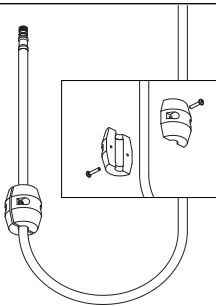
Turn on water suppliers. Place a bucket below outlet tube, slowly open and close the supply angle valves, **This will prevent debris from being lodged in the hose and sprayer.**

9



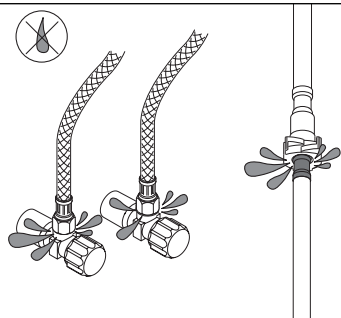
Shut off water suppliers. Push the handspray hose(A) into the quick connector(B) until you hear a click sound. Make sure it's secured.

10



Install the hose weight on the outlet side of the hose, suggested installation position is marked on the hose.
Test the handspray hose. If it does not retract smoothly, reposition the weight.

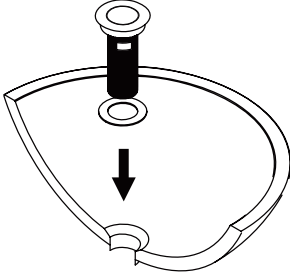
11



Turn on the water suppliers, Shut off the faucet and check for leaks.

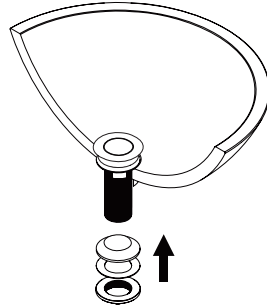
Pop-up drain Installation

1



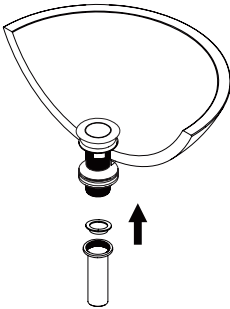
Remove all components from drain piece including: thin and thick silicone washer, hard washer, drain nut and tail piece. Insert drain and thin silicone washer into basin. Apply Teflon to the exposed male threading area of drain piece.

2



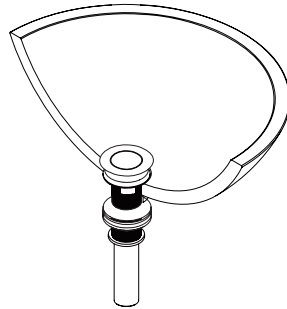
Insert thick silicone washer and hard washer over the exposed male threaded area and screw drain nut onto drain. Do not overtighten.

3



Screw tail piece onto drain using the tail washer.

4



Install waste system (not included) and check for leakage.

Trouble-Shooting

If you've followed the instructions carefully and your faucet still does not work properly, take these corrective steps.

Problem	Cause	Action
Low flow	Aerator or Filter may be clogged	Unscrew aerator to check rubber packing or replace aerator. (Note: some models require wrench to remove aerator.)
Faucet leaks from under handle	Bonnet nut has come loose or cartridge needs to be reseated	Remove handle and cap. Using a wrench, ensure bonnet nut is tight.
If leak persists, faucet leaks from spout outlet, water does not shut off completely	Cartridge may need to be adjusted or replaced	SHUT OFF WATER SUPPLIES. Replace cartridge. When reinstalling parts, make sure bonnet nut is tightened securely with a wrench. WARNING: Failure to securely tighten bonnet nut with a wrench could result in water damage.
Leaking between spray head and the hose	Spray head may be loose or washer is not seated correctly in the hose connection	Tighten spray head by hand until snug. Make sure washer is seated correctly
Hose does not retract	Weight may be installed incorrectly	Readjust weight on hose

LIMITED LIFETIME WARRANTY

Thank you for choosing Kibi USA faucets and accessories. We are dedicated to providing you with exceptional products that are built to last. Kibi USA is proud to offer a comprehensive limited lifetime warranty on our kitchen and bathroom faucets and accessories. Here are the details of our warranty policy:

Kibi USA warrants the structure and finish of the faucets and accessories to be free from defects in material and workmanship under normal usage for as long as the original purchaser resides in the residence in which the product was first installed. Additionally, the following warranty periods apply to specific components:

- **Sprayhead Assembly:** Kibi warrants the sprayhead assembly, including the engine, aerators, structure, restrictors, backflow preventers, sprayer hoses, and braided supply line hoses (nylon, silicon, and stainless steel), to be free from defects in material and workmanship under normal usage for a period of one (1) year from the date of purchase.
- **Cartridge:** Kibi warrants the faucet's cartridge to be free from defects in material and workmanship under normal usage for a period of five (5) years from the date of purchase.