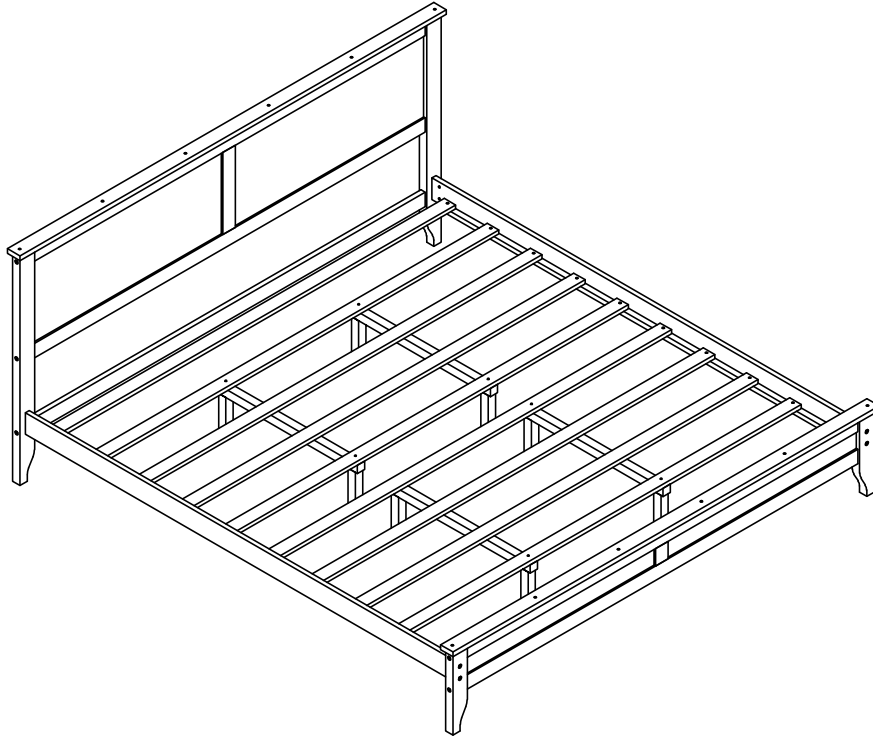


# ASSEMBLY INSTRUCTION

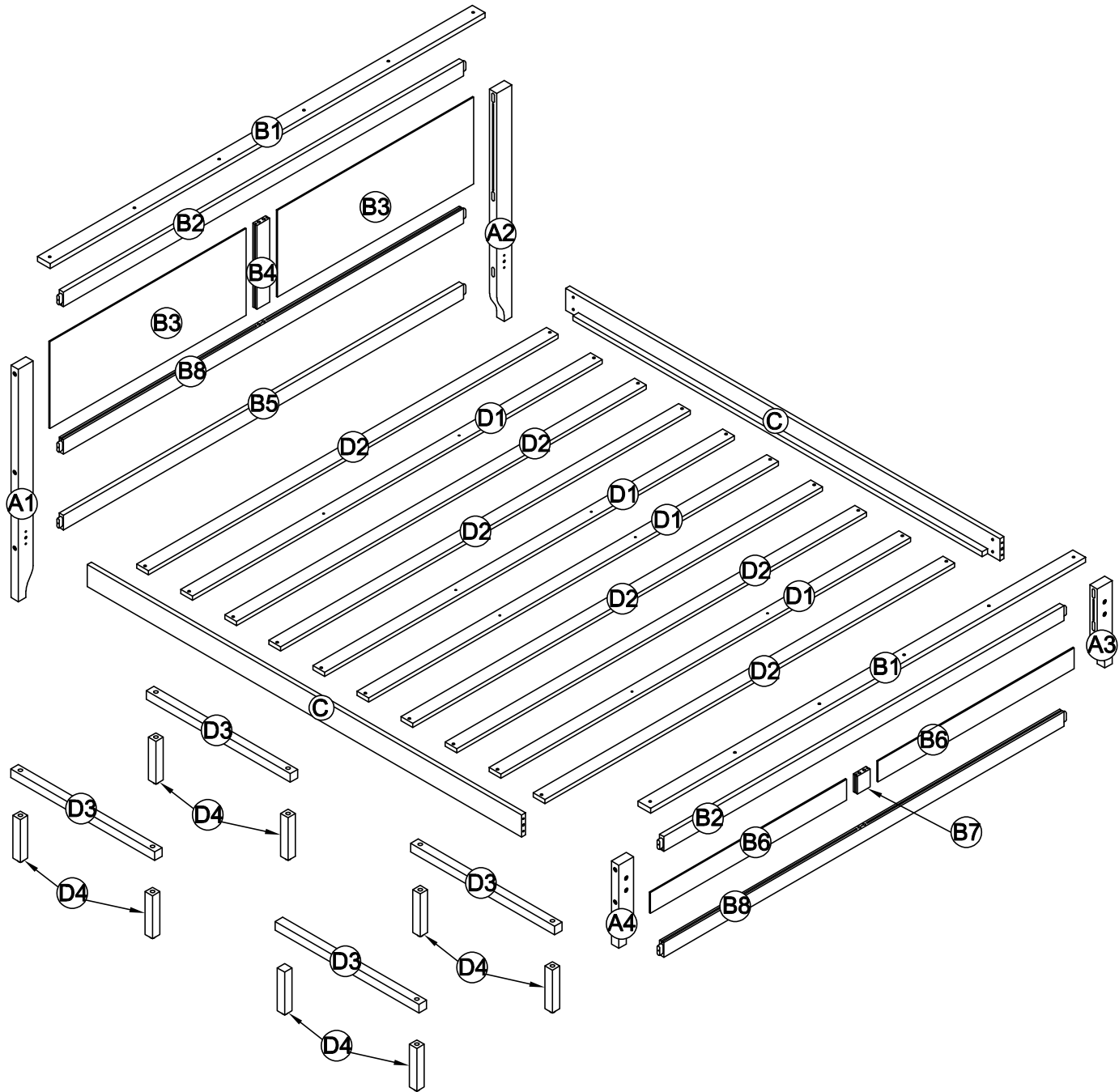
SKU CODE: (WF283526)





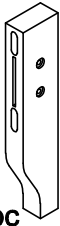

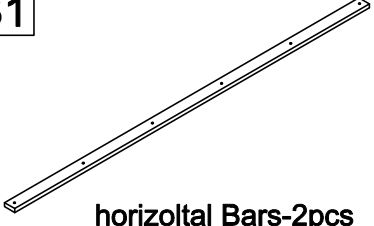
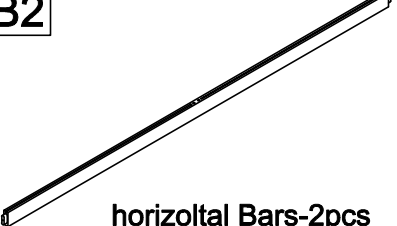
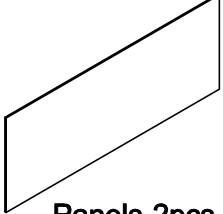

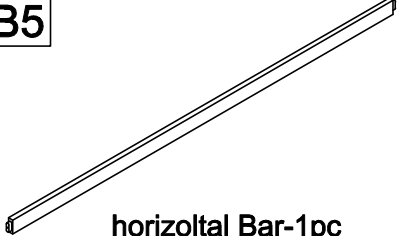
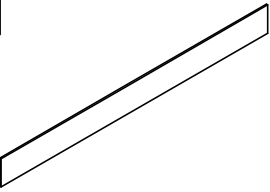
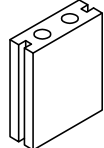
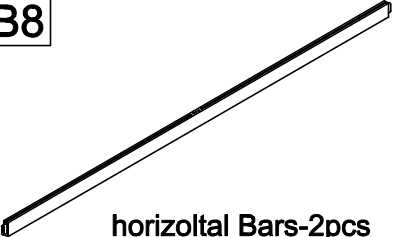
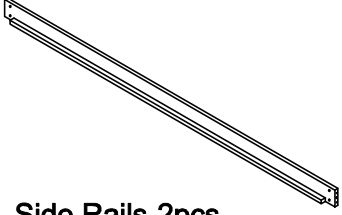
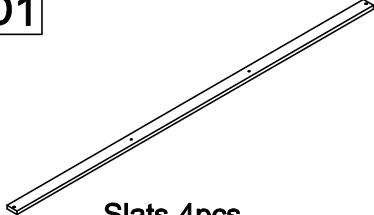
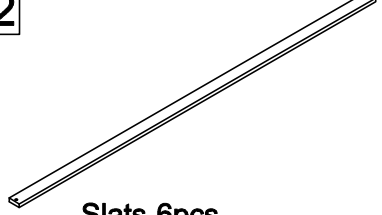
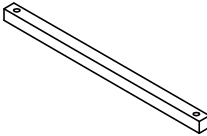
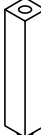
## ! SAFETY WARNINGS !

1. This bed is designed for use King Mattress 2050 mm Long and 1940 mm Wide and total thickness is not exceeding 100mm.
2. The dimensions for length and width must be stated numerically and may additionally be stated in conventional terms, for example, twin size, twin extra long, and the like.
3. The maximum thickness of the mattress shall be stated
4. Follow the information on the warnings appearing on the upper bunk bed end structure and on the carton. Do not remove warning label from bed.
5. Always use the recommended size mattresses or mattress supports, or both, to help prevent the likelihood of entrapment or falls.
6. Surface of the mattress must be at least 5 in. (127 mm) below the upper edge of guardrails.
7. Do not allow children under 6 years of age to use the upper bunk.
8. Periodically check and ensure that the guardrail, ladder, and other components are in their proper position, free from damage, and that all connectors are tight.
9. Do not allow horseplay on or under the bed and prohibit jumping on the bed
10. Always use the ladder for entering and leaving the upper bunk.
11. Do not use substitute parts. Contact the manufacturer or dealer for replacement parts.
12. Use of a night light may provided added safety precaution for a child using the upper bunk.
13. Always use guardrails on both long sides of the upper bunk. If the bunk bed will be placed next to the wall, the guardrail that runs the full length of the bed should be placed against the wall to prevent entrapment between the bed and wall.
14. The use of water or sleep flotation mattresses is prohibited.
15. **STRANGULATION HAZARD** – Never attach or hang items to any part of the bunk bed that are not designed for use with the bed; for example, but not limited to, hook, belts and jump ropes.
16. Keep these instructions for future reference

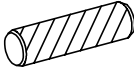
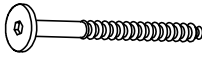
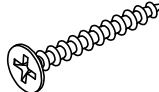
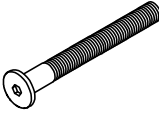

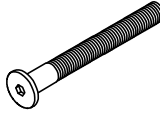
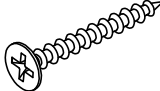

# ASSEMBLY INSTRUCTION

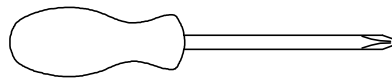


# Part List(WF283526)-Hardware List

<p><b>A1</b></p>  <p>Leg-1pc</p>	<p><b>A2</b></p>  <p>Leg-1pc</p>	<p><b>A3</b></p>  <p>Leg-1pc</p>
<p><b>A4</b></p>  <p>Leg-1pc</p>	<p><b>B1</b></p>  <p>horizontal Bars-2pcs</p>	<p><b>B2</b></p>  <p>horizontal Bars-2pcs</p>
<p><b>B3</b></p>  <p>Panels-2pcs</p>	<p><b>B4</b></p>  <p>Vetical Bar-1pc</p>	<p><b>B5</b></p>  <p>horizontal Bar-1pc</p>
<p><b>B6</b></p>  <p>Panels-2pcs</p>	<p><b>B7</b></p>  <p>Vetical Bar-1pc</p>	<p><b>B8</b></p>  <p>horizontal Bars-2pcs</p>
<p><b>C</b></p>  <p>Side Rails-2pcs</p>	<p><b>D1</b></p>  <p>Slats-4pcs</p>	<p><b>D2</b></p>  <p>Slats-6pcs</p>
<p><b>D3</b></p>  <p>Support Slats-4pcs</p>	<p><b>D4</b></p>  <p>Center Legs-8pcs</p>	

# Hardware List-BED

<b>1</b>  Ø10 x 40 mm Wood dowel 12pcs	<b>2</b>  Screws 1/4" x90 10pcs	<b>3</b>  M4 x 30 mm Wood Screws 32pcs
<b>4</b>  Ø1/4" x 80 mm Hex-Head bolts 8pcs	<b>5</b>  Ø1/4" x 13 mm Horizontal-Hole bolts 8pcs	<b>6</b>  Ø1/4" x 70 mm Hex-Head bolts 8pcs
<b>7</b>  M4 x 50 mm Wood Screws 2pcs	<b>8</b>  Allen Key 1pc	



**Assembly Tools Required (Not Included)**

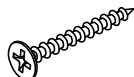
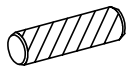
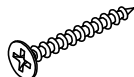

# STEP 1: ASSEMBLY HEADBOARD

1.1: Using Dowel 1 locate B2, B8 Wood Bar with B4 Wood Bar and Panels B3(x2)

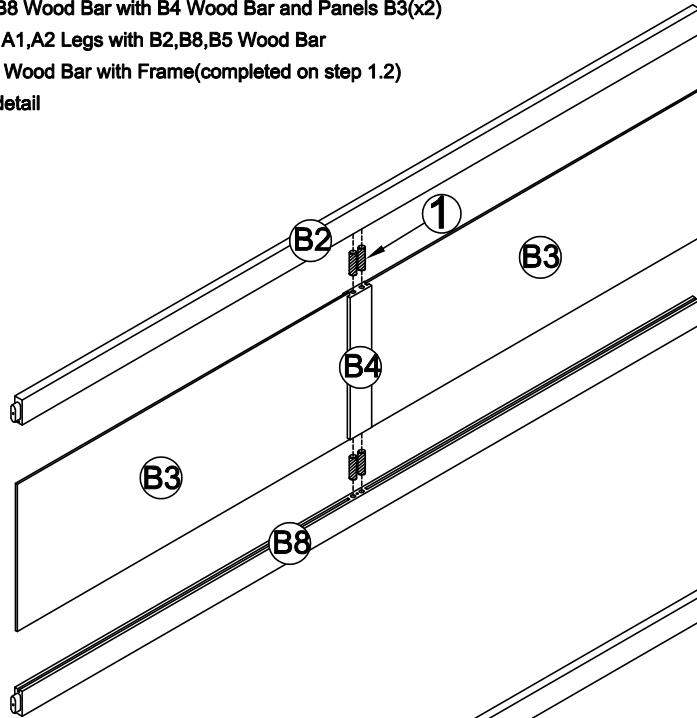
1.2: Using HW #2, #7 Connect A1, A2 Legs with B2, B8, B5 Wood Bar

1.3: Using HW #3 Connect B1 Wood Bar with Frame (completed on step 1.2)

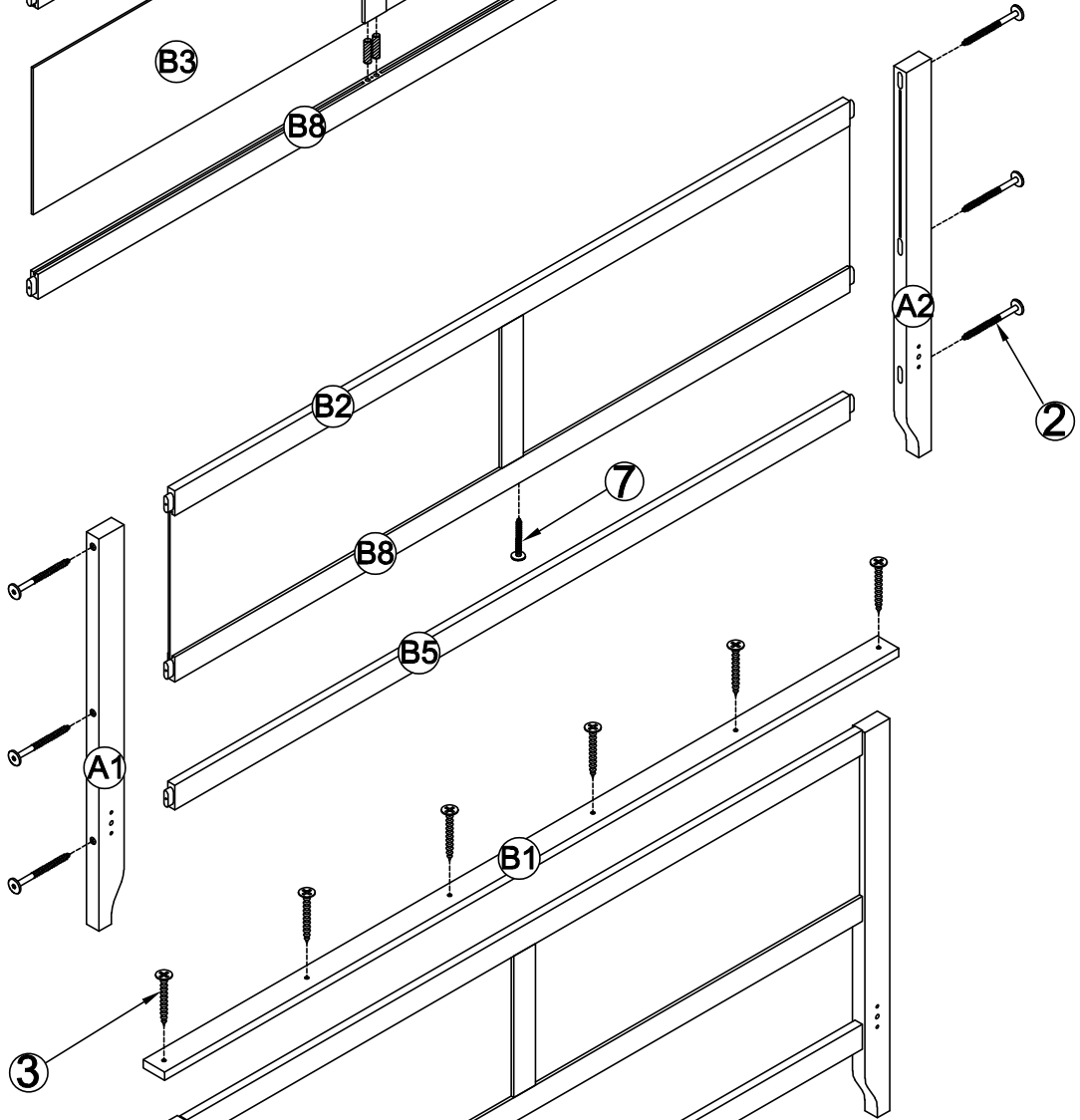
-Look at detail view for more detail

3	1
	
6(pcs)	4(pcs)
7	2
	
1(pcs)	6(pcs)

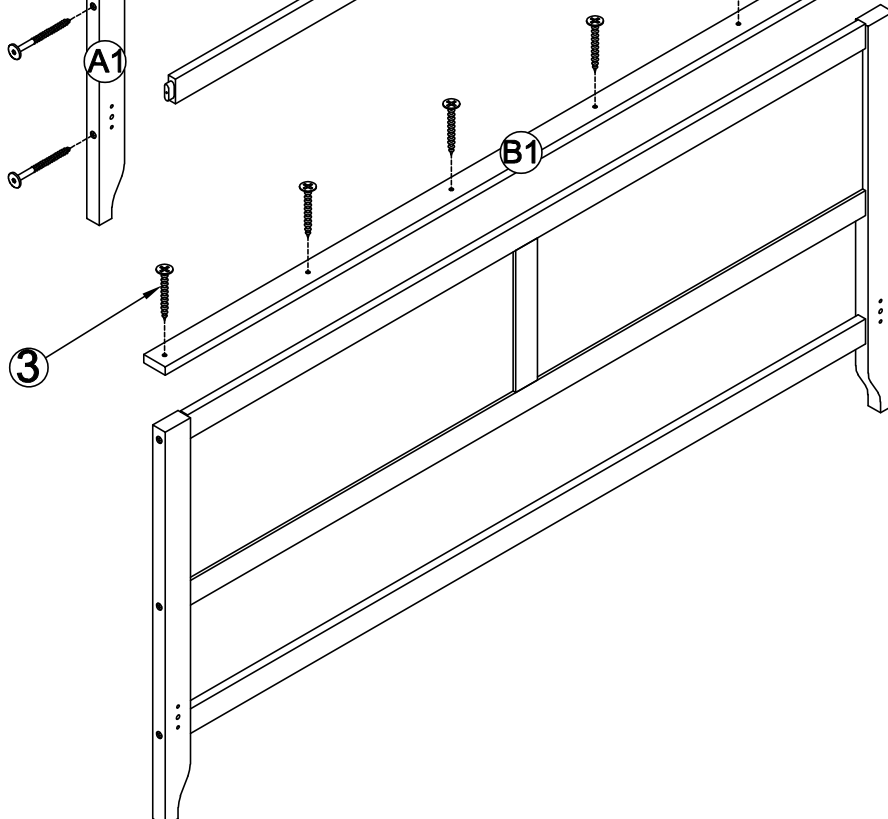
## STEP 1.1



## STEP 1.2



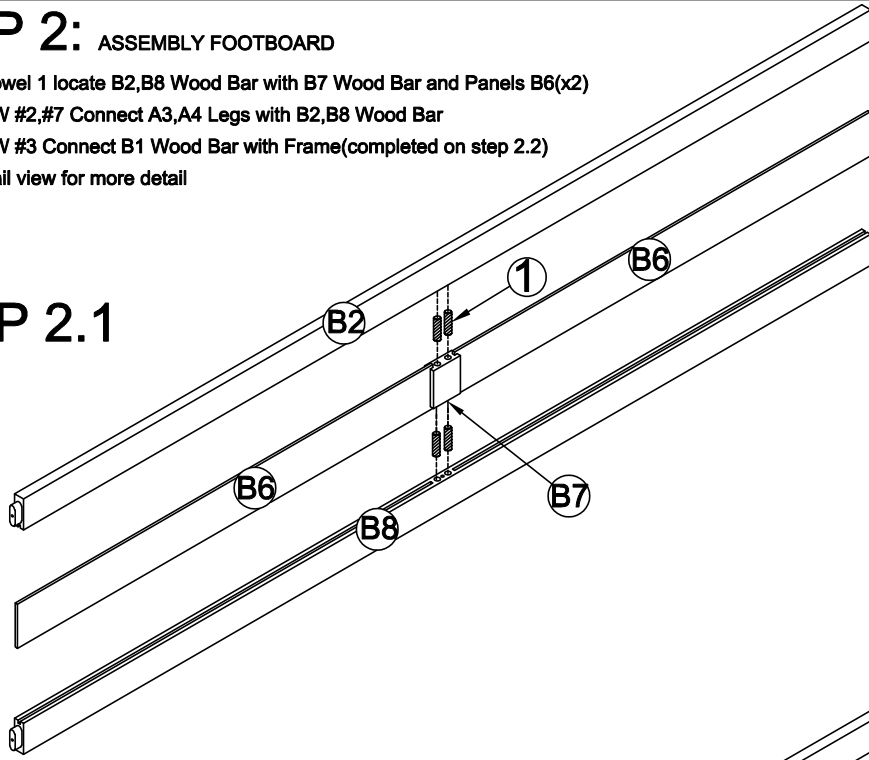
## STEP 1.3



# STEP 2: ASSEMBLY FOOTBOARD

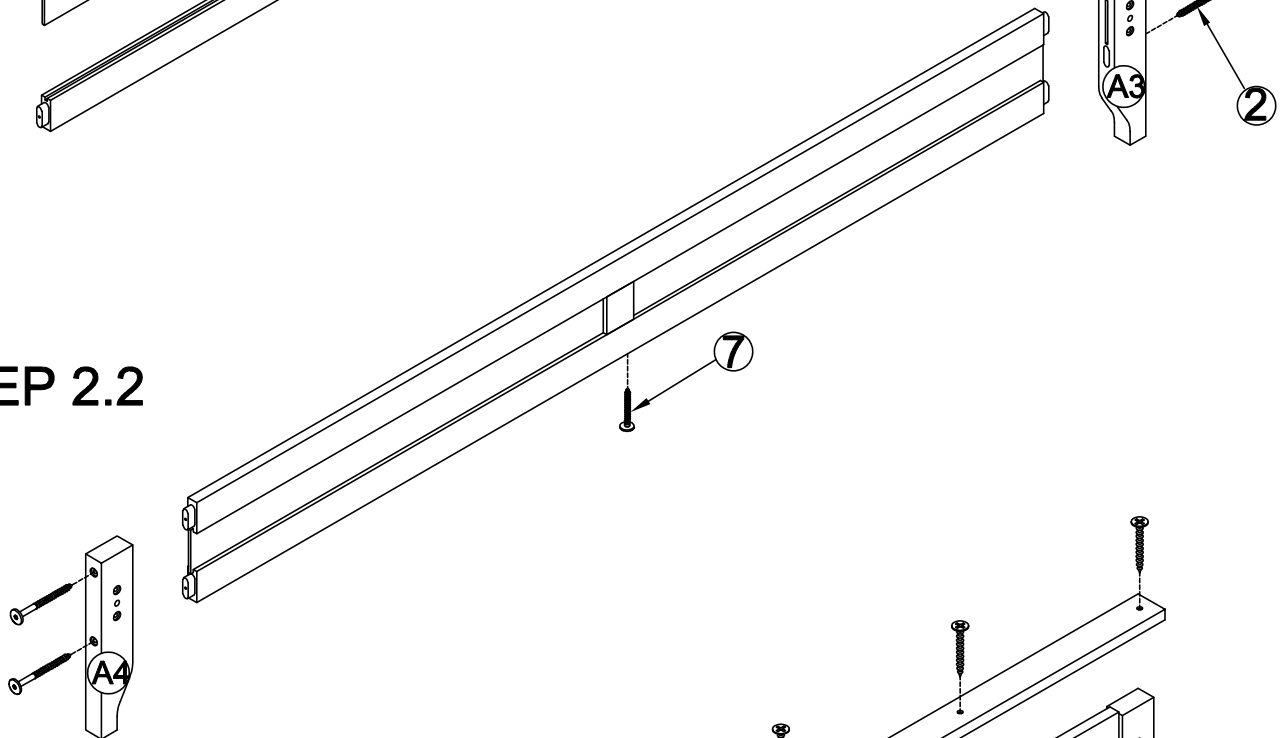
- 2.1: Using Dowel 1 locate B2, B8 Wood Bar with B7 Wood Bar and Panels B6(x2)
  - 2.2: Using HW #2, #7 Connect A3, A4 Legs with B2, B8 Wood Bar
  - 2.3: Using HW #3 Connect B1 Wood Bar with Frame (completed on step 2.2)
- Look at detail view for more detail

## STEP 2.1

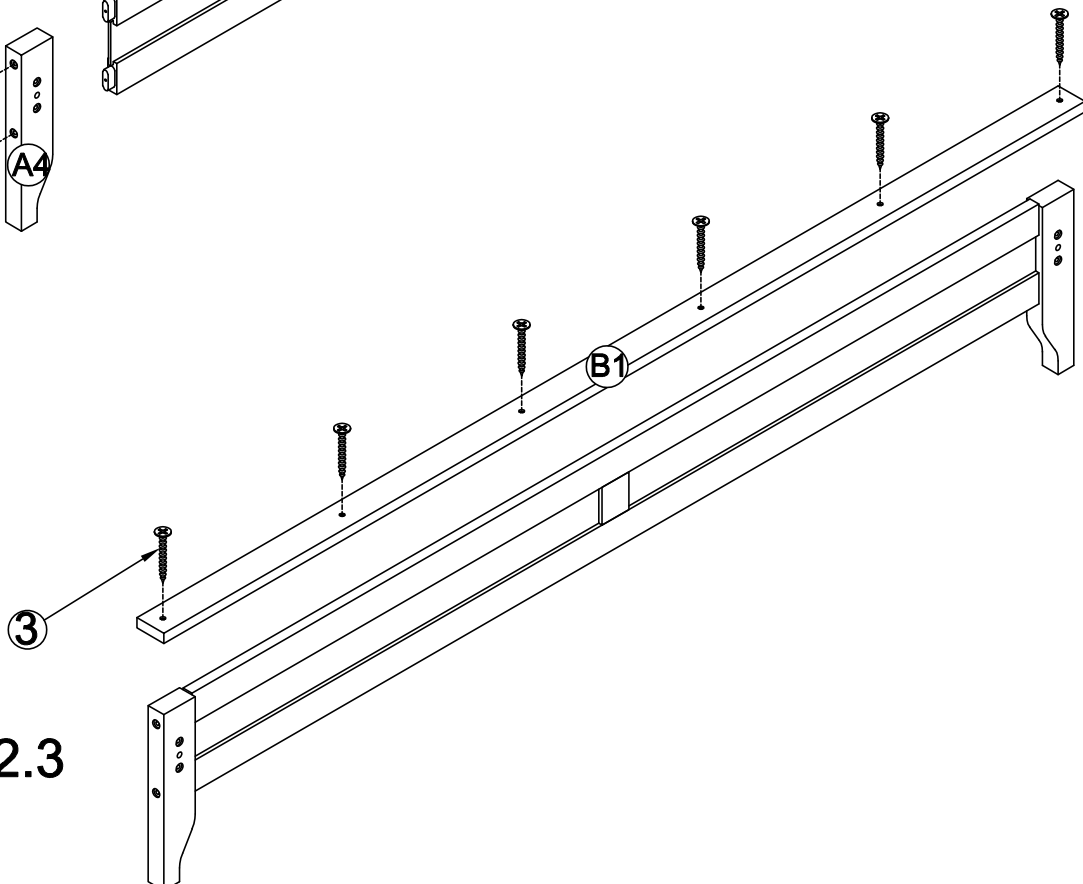


3	1
6(pcs)	4(pcs)
7	2
1(pcs)	4(pcs)

## STEP 2.2



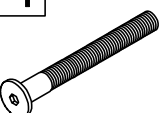
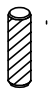

## STEP 2.3

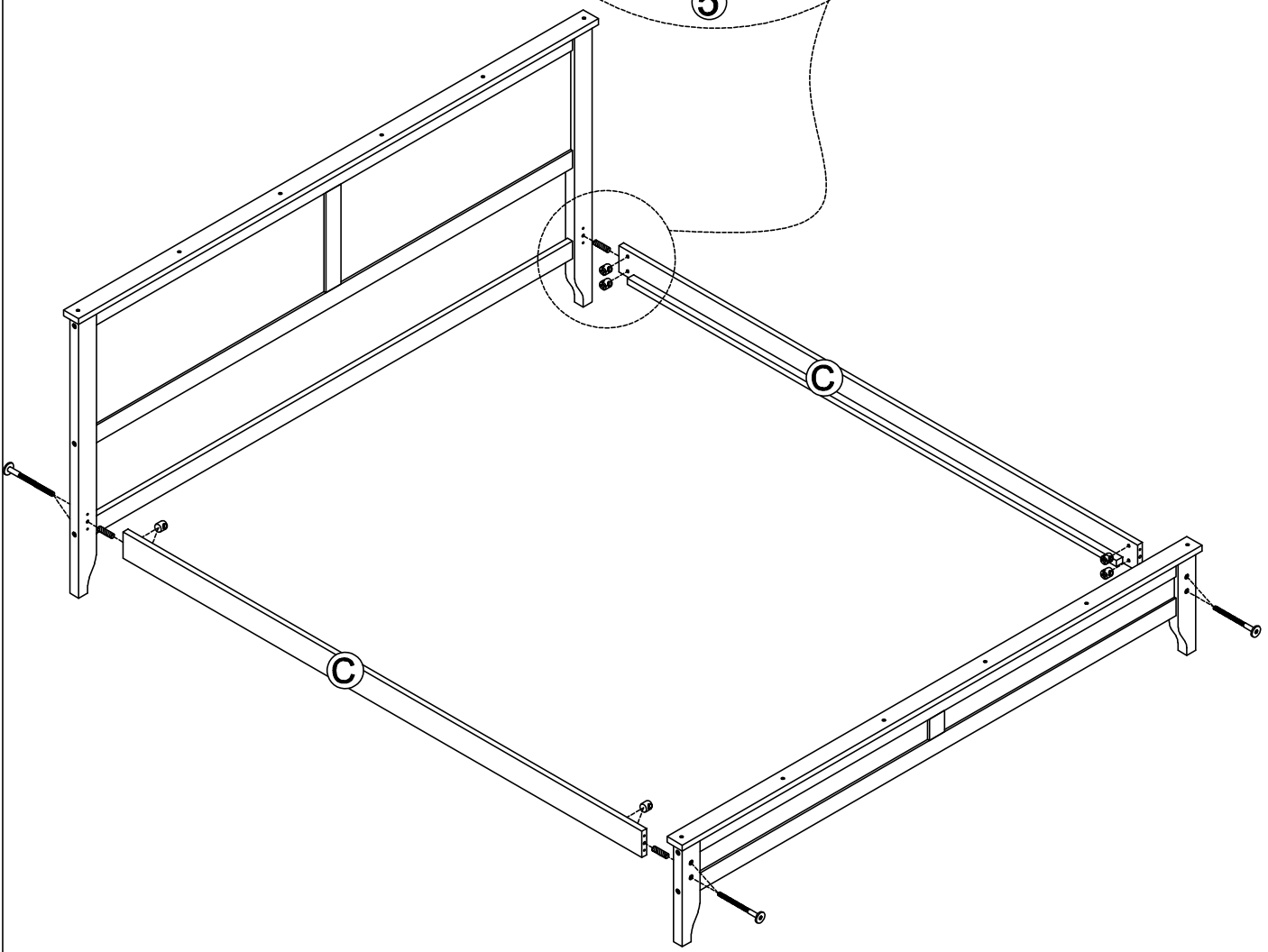
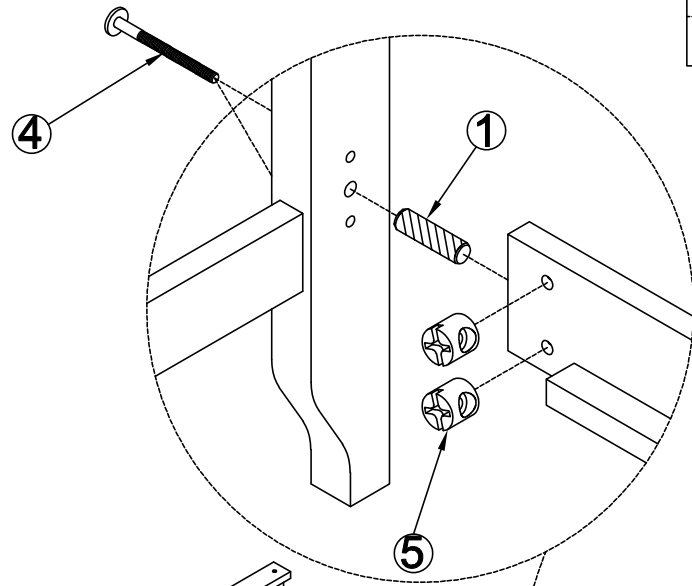


# STEP 3: Following below illustration

-Using hardware #4, #5 and dowel #1 follow detail view to Assembly Headboard (Completed on step 1.3) with Footboard (completed on step 2.3) by Side Rail C(x2)

-Look at detail view for more detail

4		1	
8pcs		4pcs	
		5	
		8pcs	

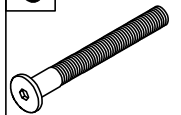


## STEP 4:

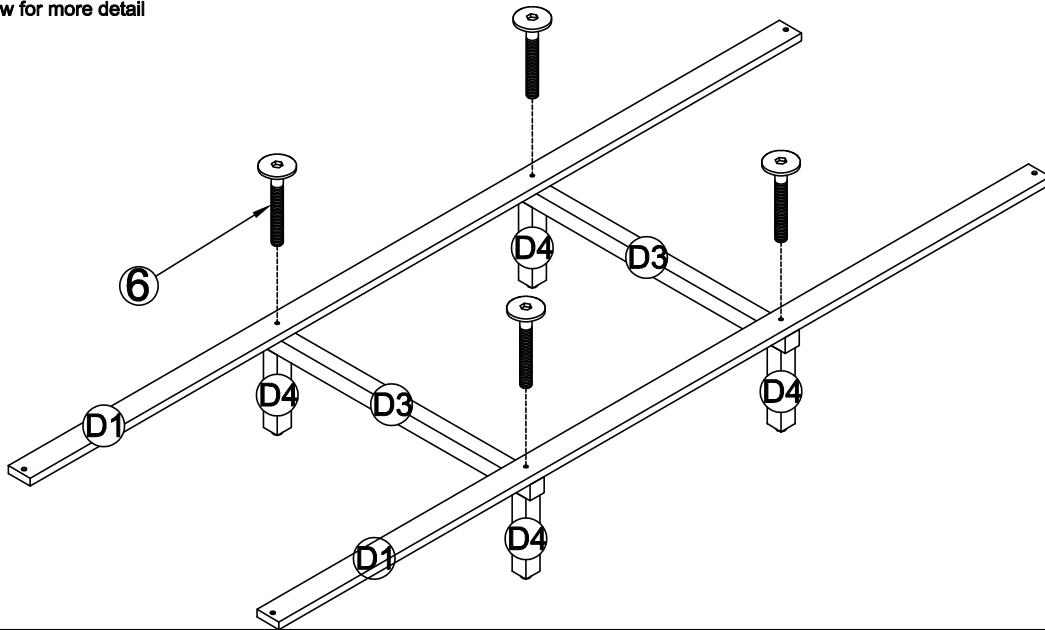
Following below illustration

- Using hardward #6 to Assembly Slats D1(x2) With Support Slats D3(x2) and Center Legs D4(x4)
- Look at detail view for more detail

6



4x2pcs

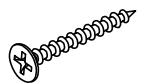


## STEP 5:

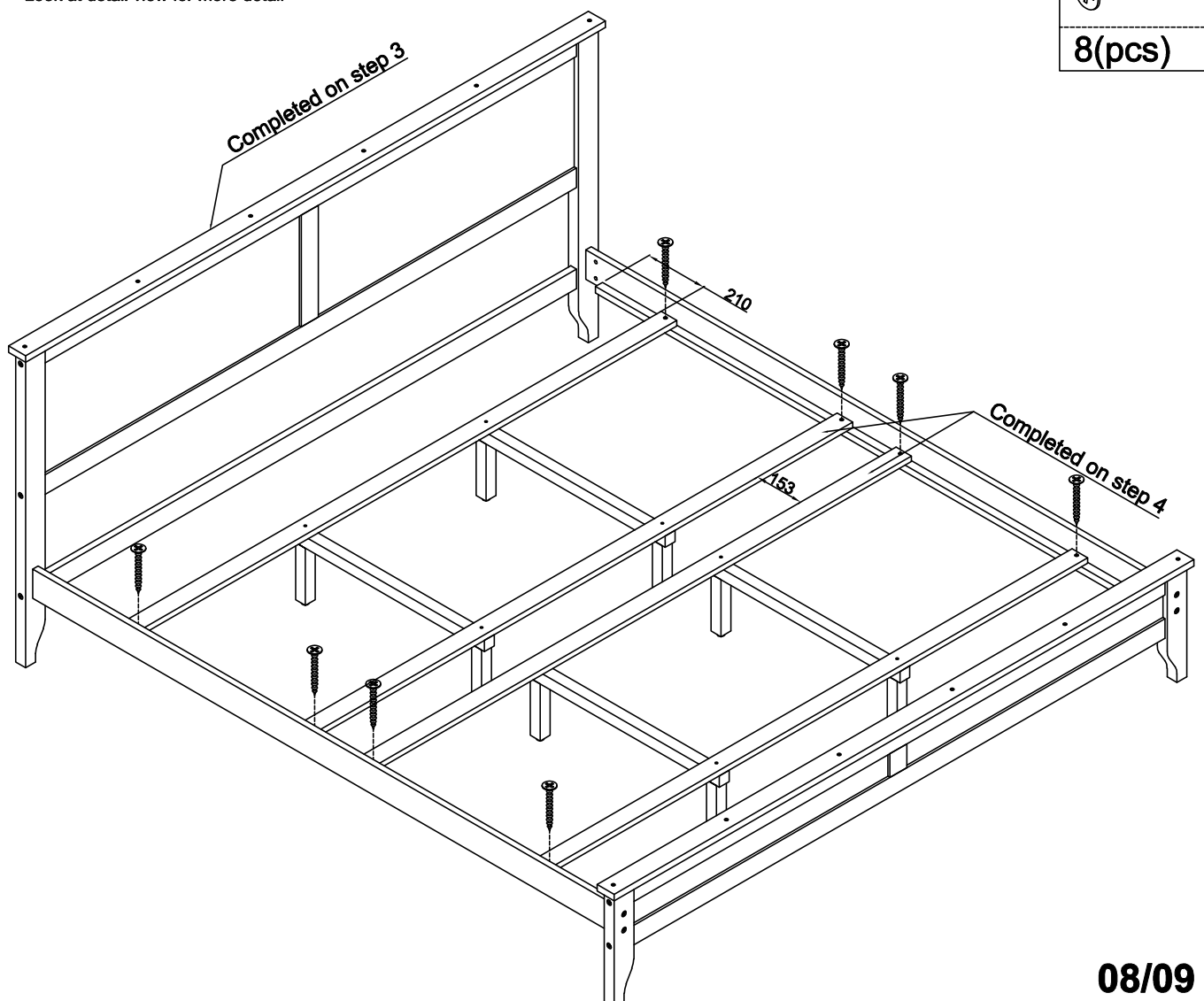
Following below illustration

- Using hardward #3 to Assembly Frame (completed on step 3) With Frame (completed on step 4)
- Look at detail view for more detail

3



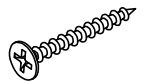
8(pcs)



# STEP 6: Following below illustration

-Screw 6 slats D2 with Side Rails C(x2) by using hardward #3.

3



12(pcs)

