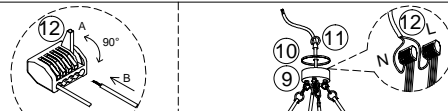
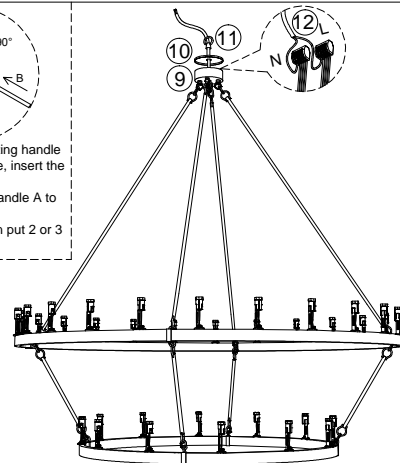


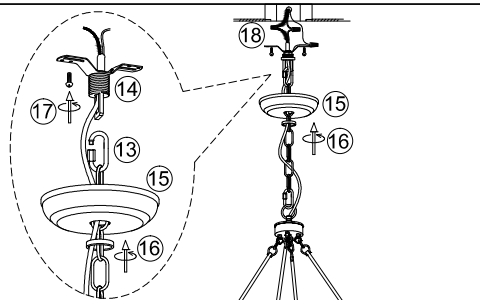
1. Assemble the big ring ①, firstly install the male and female connector ③, make sure the connector ③ tighten enough can not pull out anymore, and then put the split parts together, lock it with screw ④.(same step to install the small ring ②.)



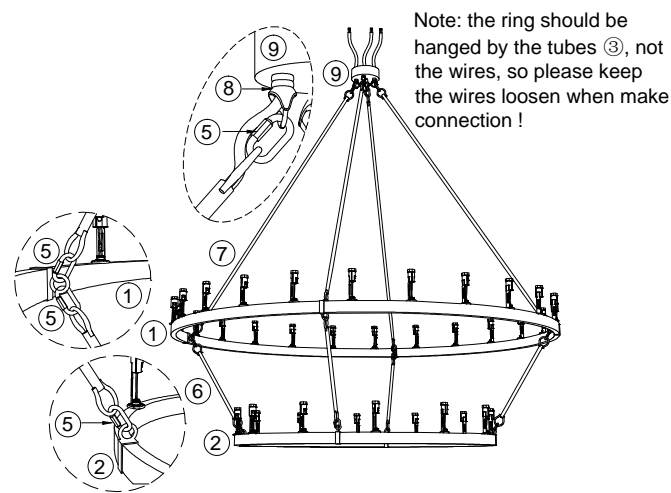
1. Pull the orange operating handle A to open the inlet hole, insert the wire B.
2. Press the operating handle A to finish wiring.
(Note: one inlet hole can put 2 or 3 wires inside)



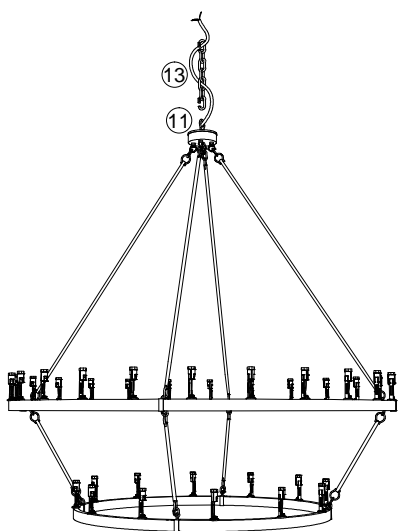
4. Let the wires go through junction box ⑨ and connect all the wires by parallel with connectors ⑫(all live line-L use one connector, and neutral Line-N use another connector).
5. Let the wire go through top cover ⑩ and hanging ring ⑪, rotate the ring ⑪ to fix the cover ⑩ to the fixture.



7. Install the bracket ⑭ to the ceiling junction box with screw ⑰.
8. Let the chain ⑬ and the wire go through ring ⑯ and canopy ⑮ and bracket ⑭, after that hang the fixture to the bracket with chain ⑬.
9. Connect the wire to your home line with cap connectors ⑱.
10. Rotate the ring ⑯ to lock the canopy ⑮ to the bracket.
11. Put the cylinder tube ⑲ on the bulb holder and install the bulb ⑳.



2. Let the wire of small ring ② go through the short hanging tube ⑥, hang the small ring ② to the big ring ① with hanging tube ⑥. (Note: the wires of two rings can not meet at the same side.)
3. Let the wires of ring ① and ring ② go through the long hanging tubes ⑦, hang the fixture to the junction box ⑨ with tube ⑦.



6. Install the chain ⑬ to the fixture, let the wire go through the chain ⑬.

Please read carefully before installation!!!

Note : Please make sure that the electricity is powered off during installation !

Only a professional electrician should install this kind of product !