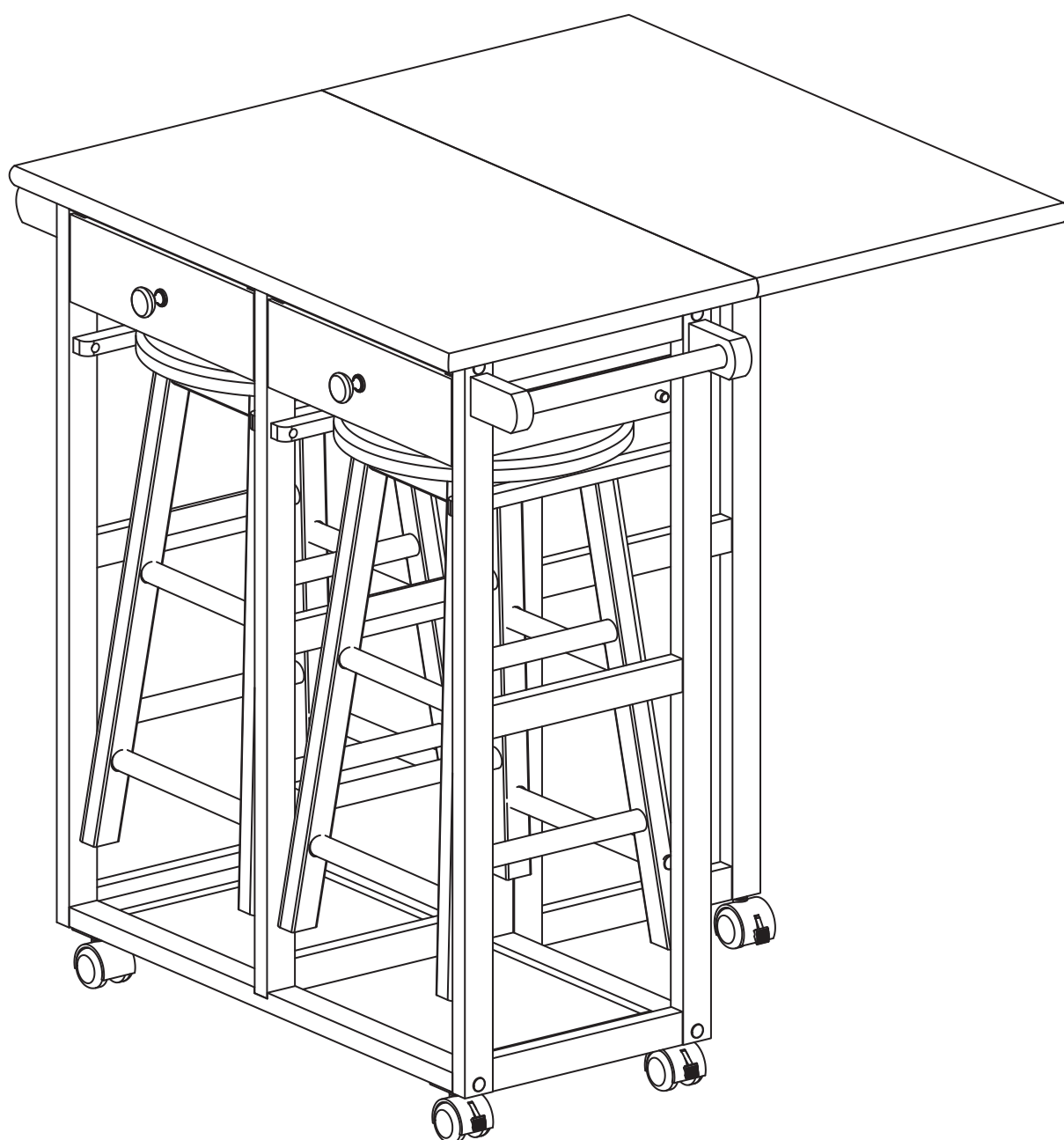


Assembly Instruction

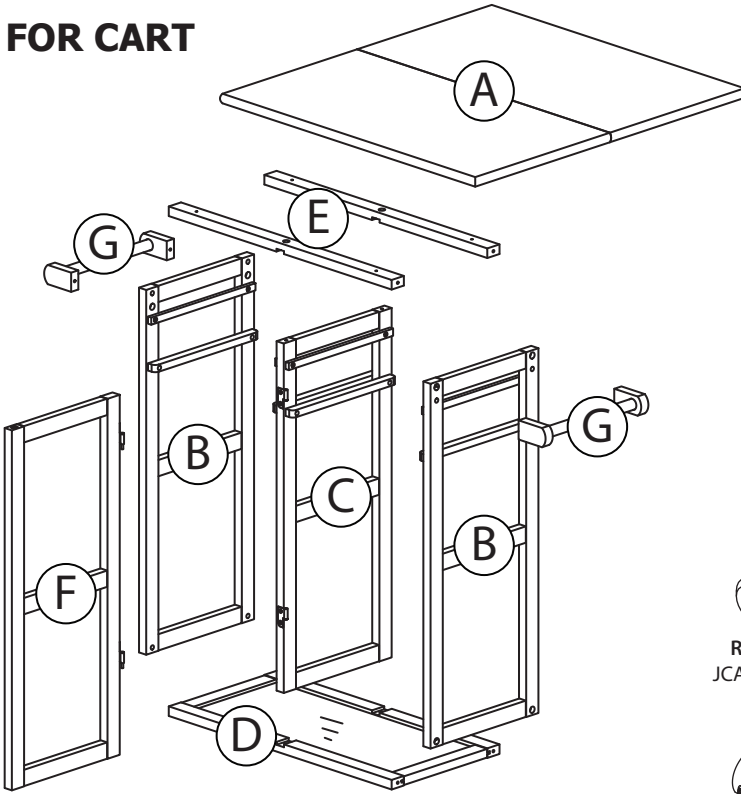
Breakfast Cart with Drop-Leaf Table American Maple Top, Square



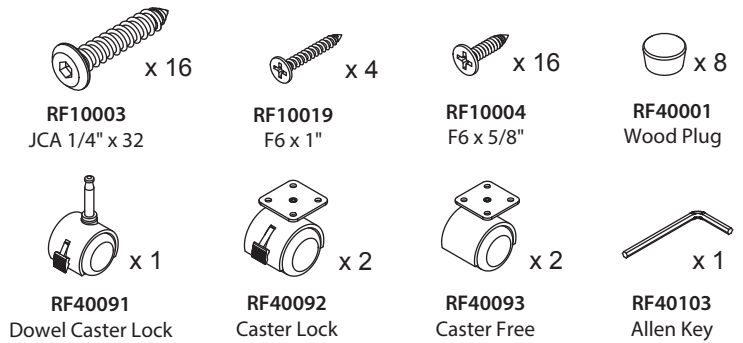
Before You Begin

Check to make sure you have the following:

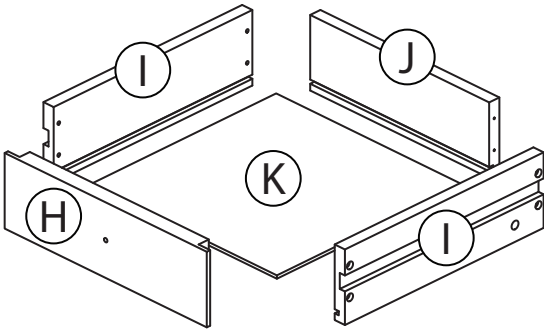
FOR CART



Part	Description	Q'ty
A	Drop-Leaf Table Top	1
B	Side Panels	2
C	Middle Panel	1
D	Bottom Panel	1
E	Cross Supports	2
F	Leaf Support	1
G	Towel Bars	2



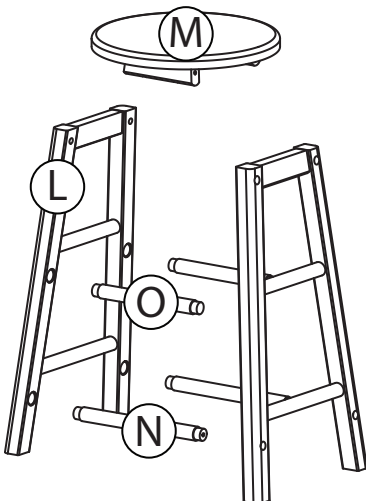
FOR DRAWERS



Part	Description	Q'ty
H	Front Panels	2
I	Side Panels	4
J	Back Panels	2
K	Bottom Panels	2

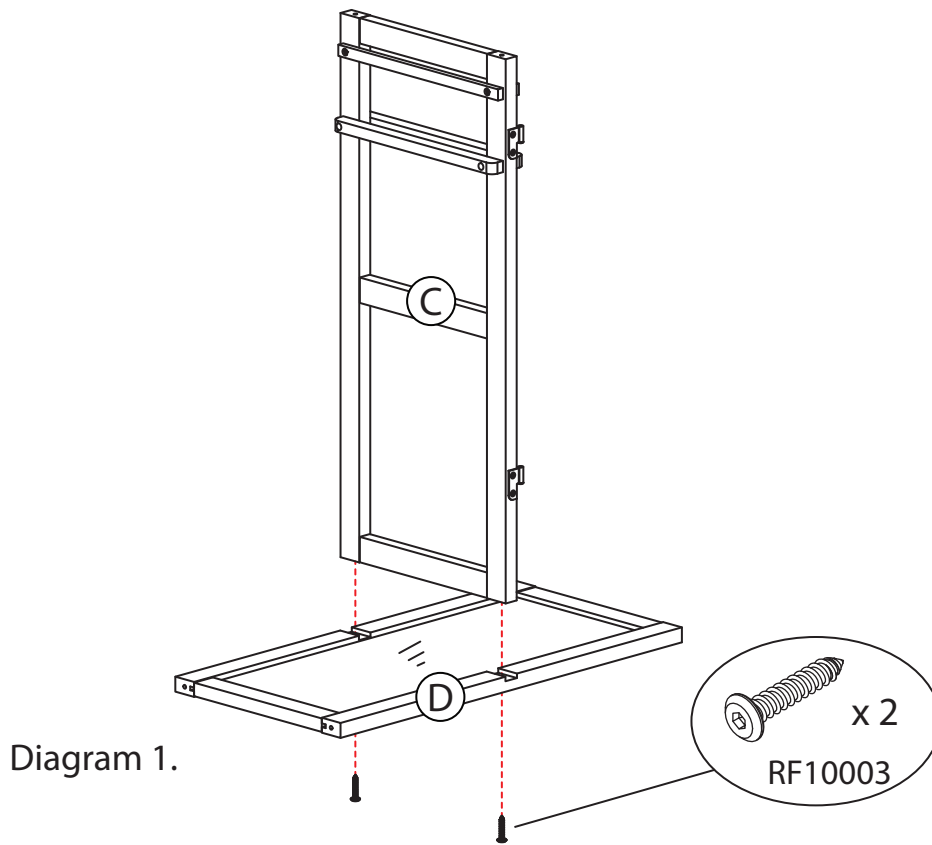


FOR STOOL

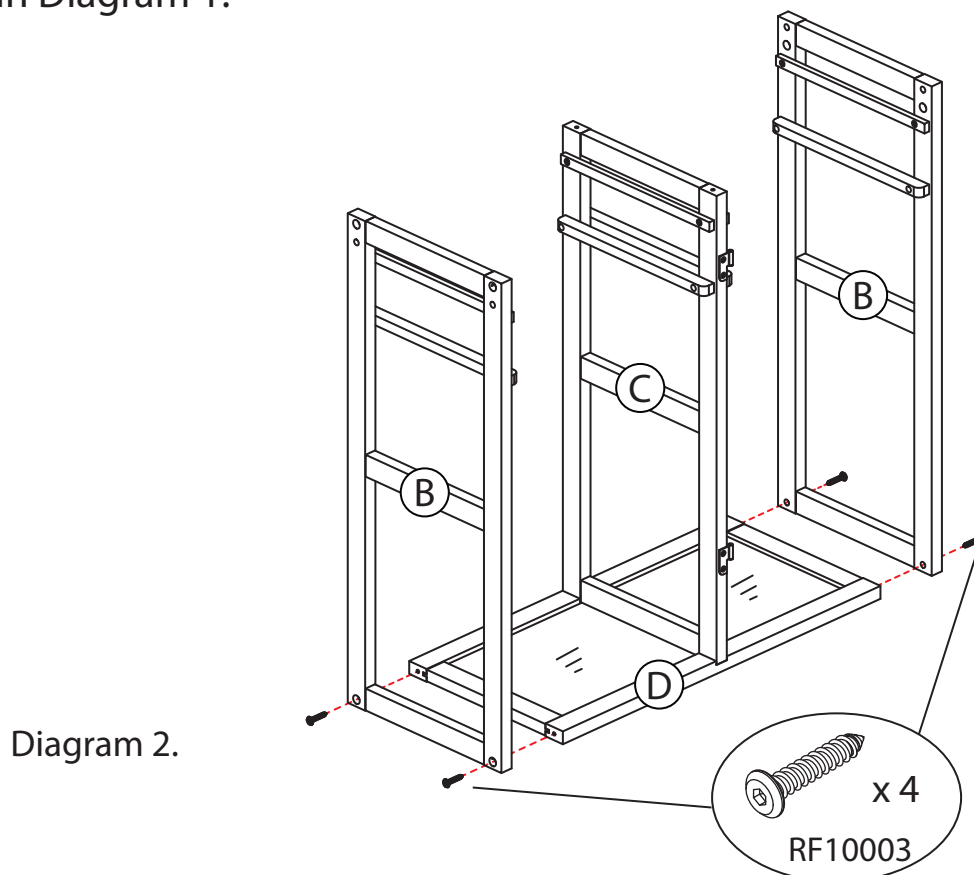


Part	Description	Q'ty
L	Side Panels	4
M	Seats	2
N	Round Strip (Long)	4
O	Round Strip (Short)	4

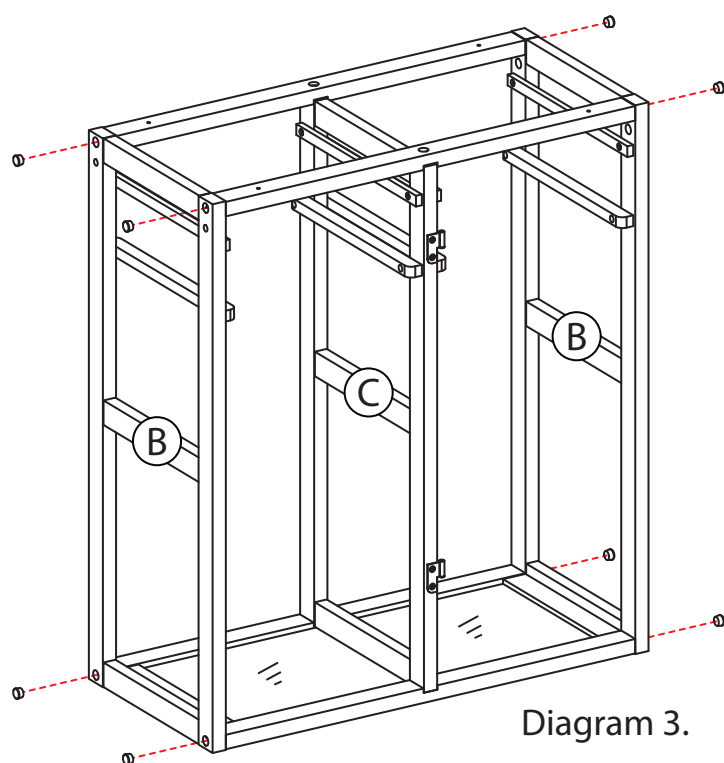
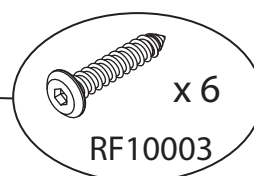
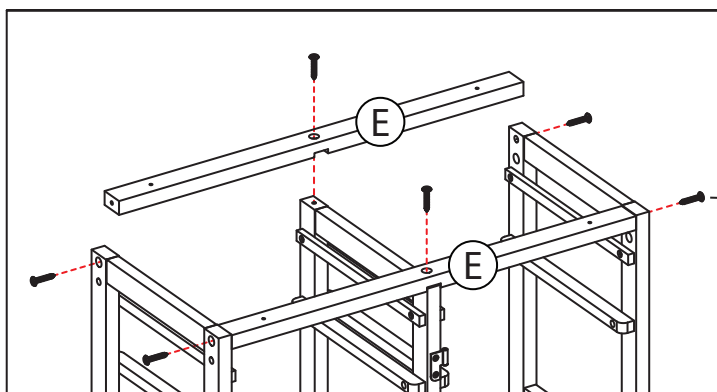




Step 1:
Attach the middle panel (C) to the bottom panel (D) with 2 (RF10003) screws as seen in Diagram 1.

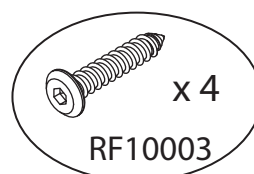


Step 2:
Attach side panels (B) to the bottom panel (D) with 4 (RF10003) screws as shown in Diagram 2.



Step 3:
Attach cross supports (E) into the unit by using 6 (RF10003) screws and cover the screws with the wood plugs (WD40001) as shown in Diagram 3.

Diagram 3.



Step 4:
Attach the towel bars (G) to the left and right panels (B) with 4 (RF10003) screws as seen in Diagram 4.

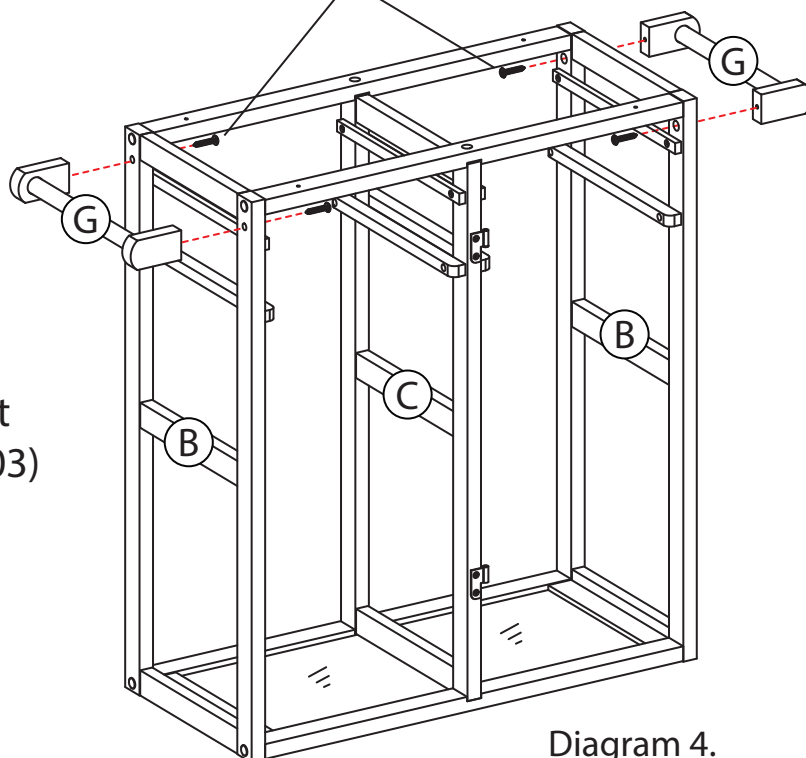


Diagram 4.

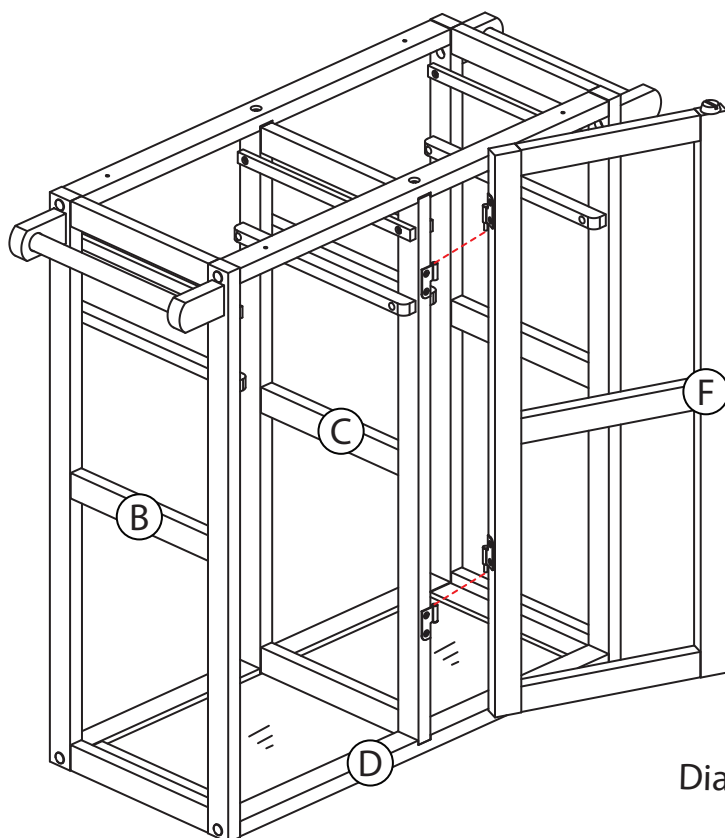


Diagram 5.

Step 5:

Align the hinges of the leaf support (F) to the middle panel (C), as shown in Diagram 5.

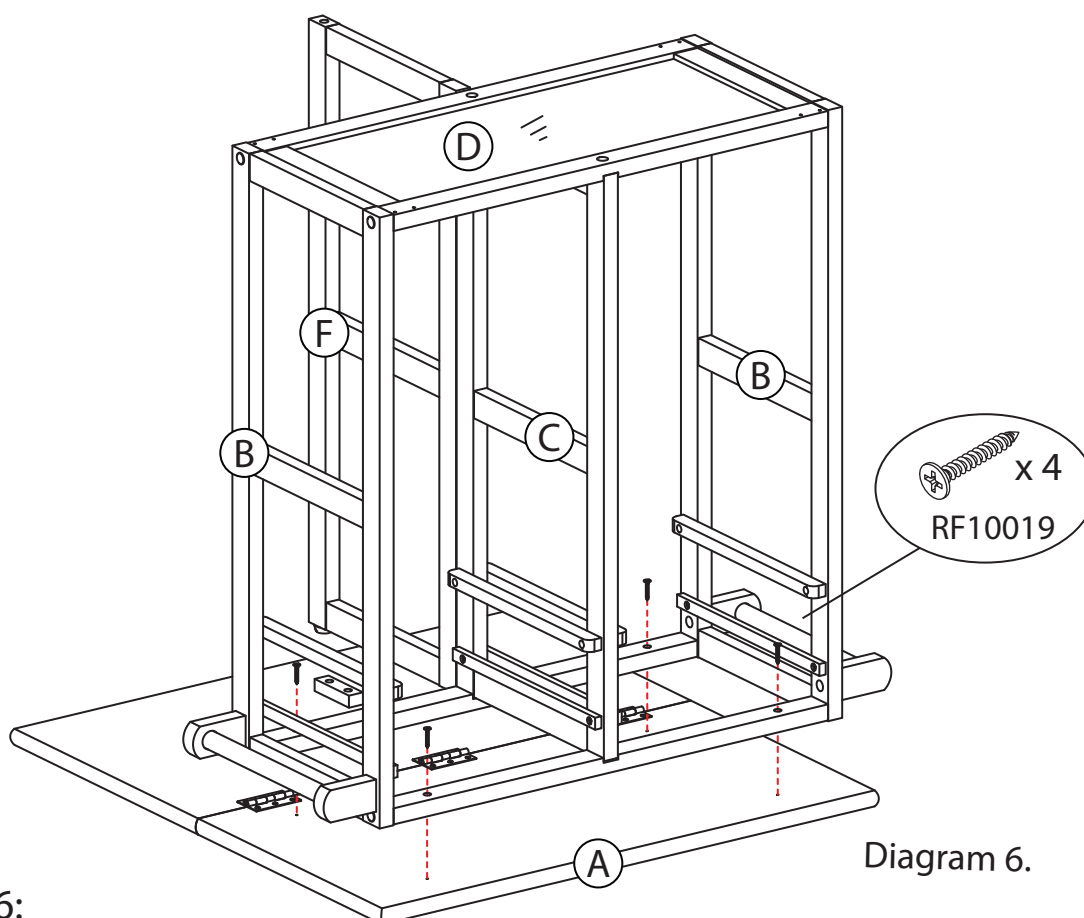


Diagram 6.

Step 6:

Invert the drop-leaf table top (A) on a soft surface to prevent scratching. Align the screw holes of both the top frame and the drop-leaf top and secure them with 4 (RF10019) screws, as shown in Diagram 6.

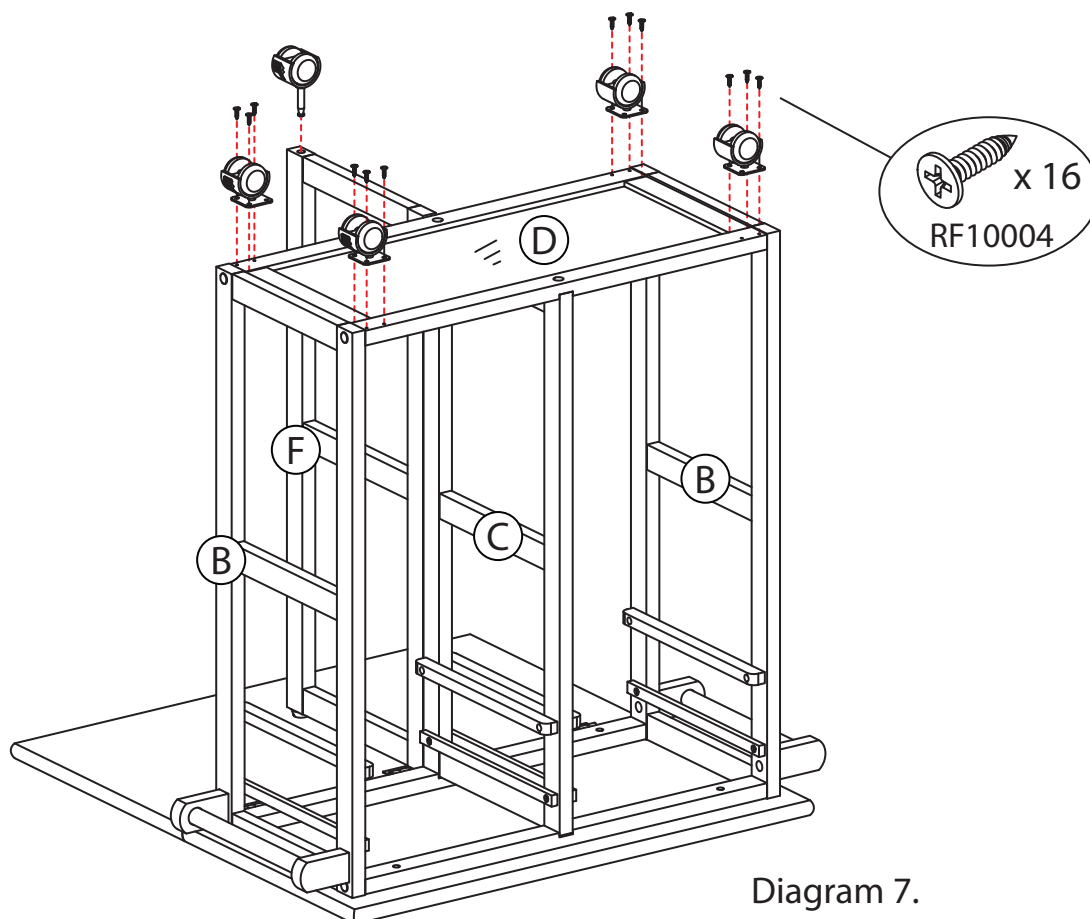
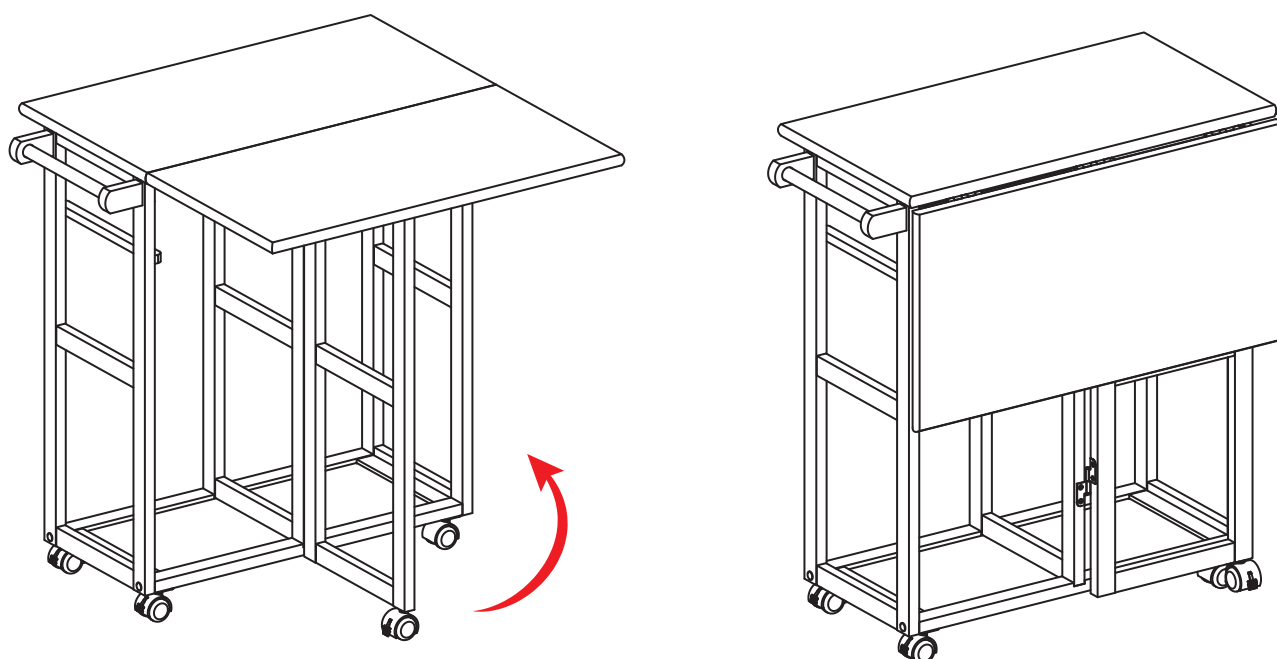


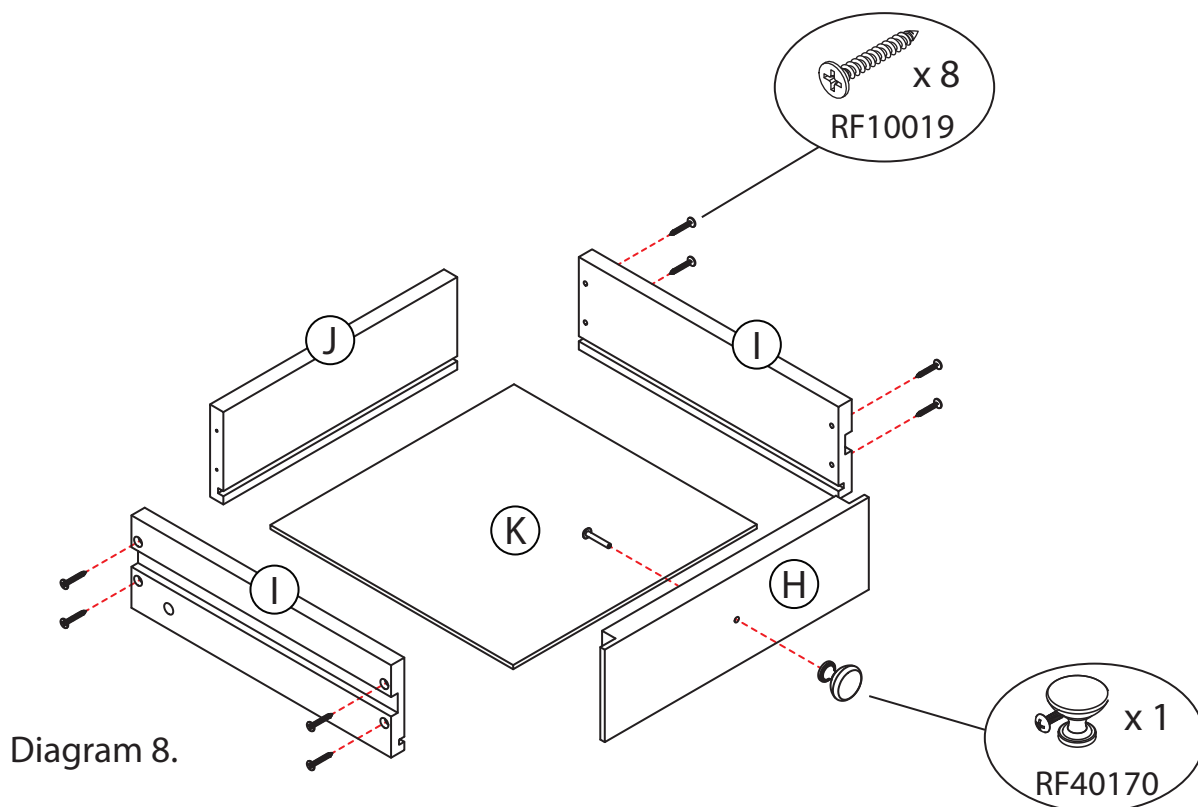
Diagram 7.

Step 7:

Attach 2 caster locks (RF40092), 2 caster frees (RF40093) to the bottom panel (D) with 16 (RF10004) screws and insert the dowel caster lock (RF40091) into the hole of the leaf support (F) as seen in Diagram 7.

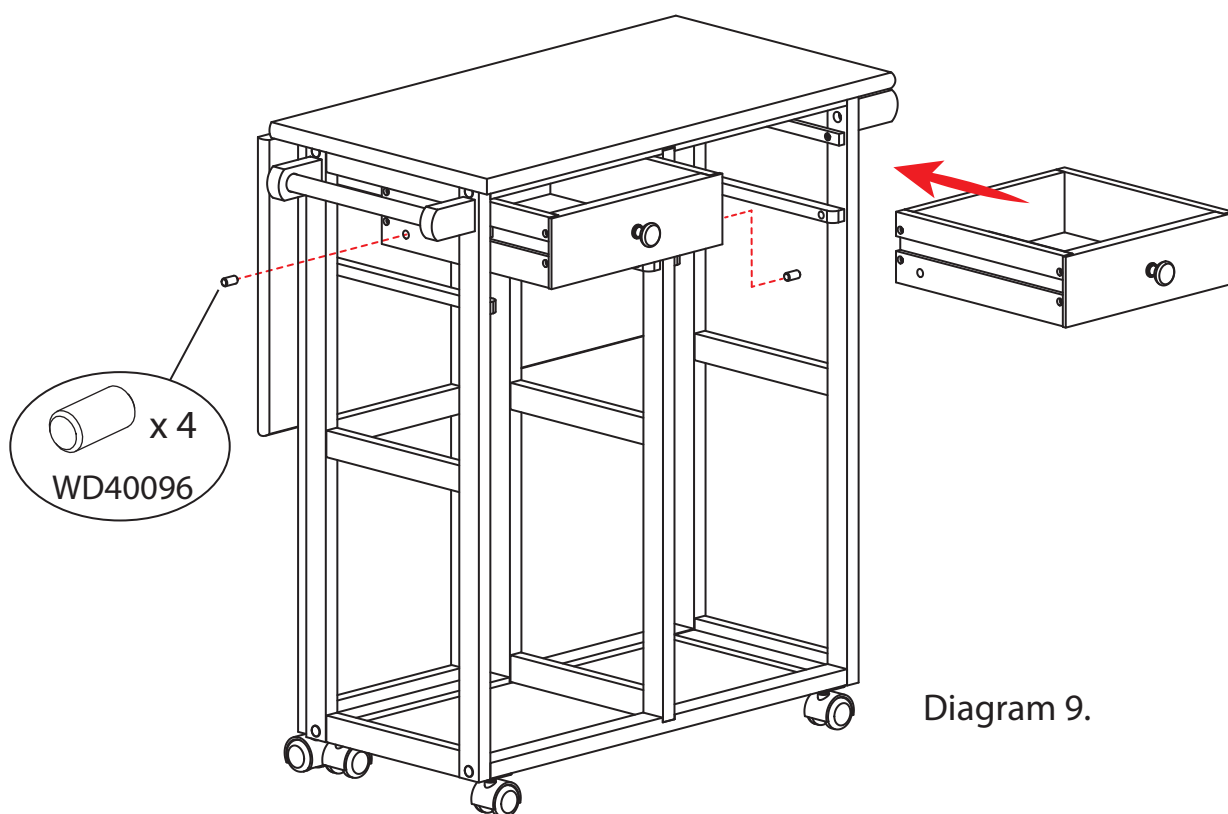


FOLD LEAF



Step 8:

Assemble the drawers by attaching the sides (I), back (J), and bottom (K) to the front panel (H) by using 8 (RF10019) screws. Attach the handle knob (RF40170) to the front panel (H) as shown in Diagram 8.



Step 9:

Align the grooves of the drawers with the wood tracks and slide the drawer in. Insert the drawer stopper (WD40096) into the holes of both sides of the drawer as shown in Diagram 9.

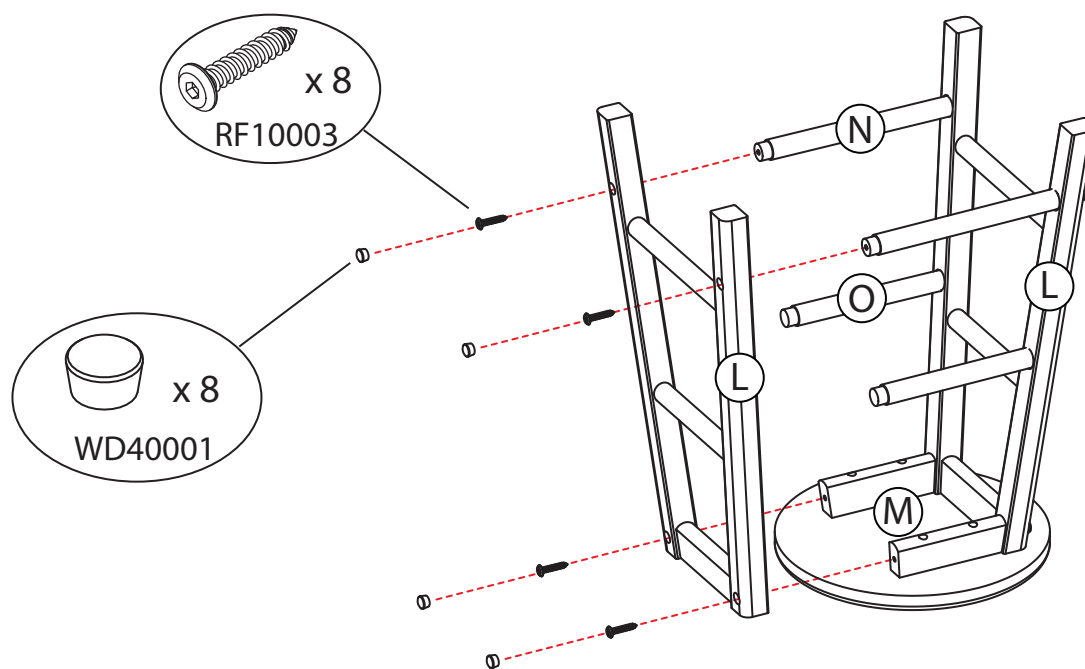


Diagram 10.

Step 10:

Lay the seat (M) on the floor and insert one side panel (L).

Insert and fasten short (O) and long (B) round strips using screws (RF10003), as seen in Diagram 10.

CAUTION: DO NOT TIGHTEN SCREWS UNTIL THE UNIT IS FULLY ASSEMBLED.

Attach the other side panel and fasten screws.

Tighten screws by using the Allen Key (RF40103).

Cover all holes with wood plugs (WD40001).

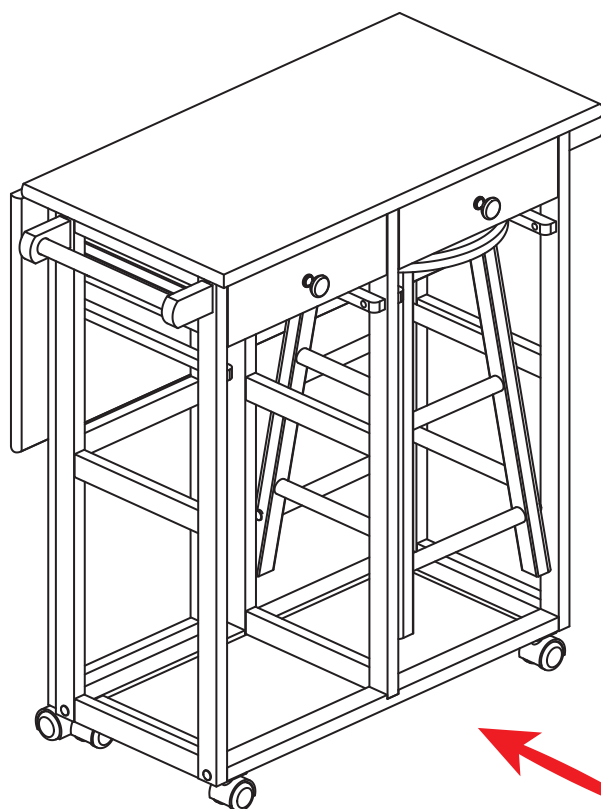
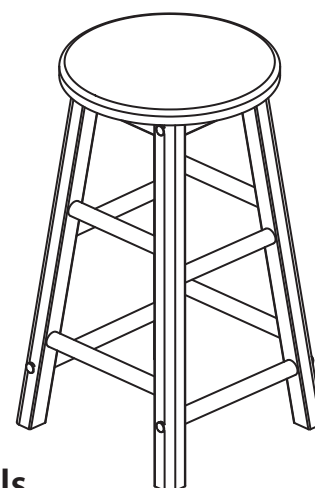


Diagram 11.



To store the bar stools, slide them between the hanging rails.