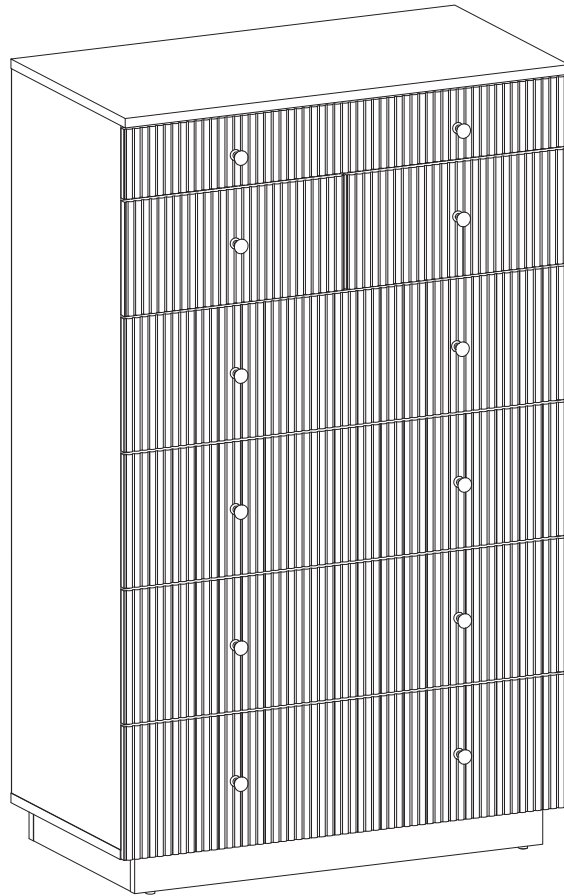
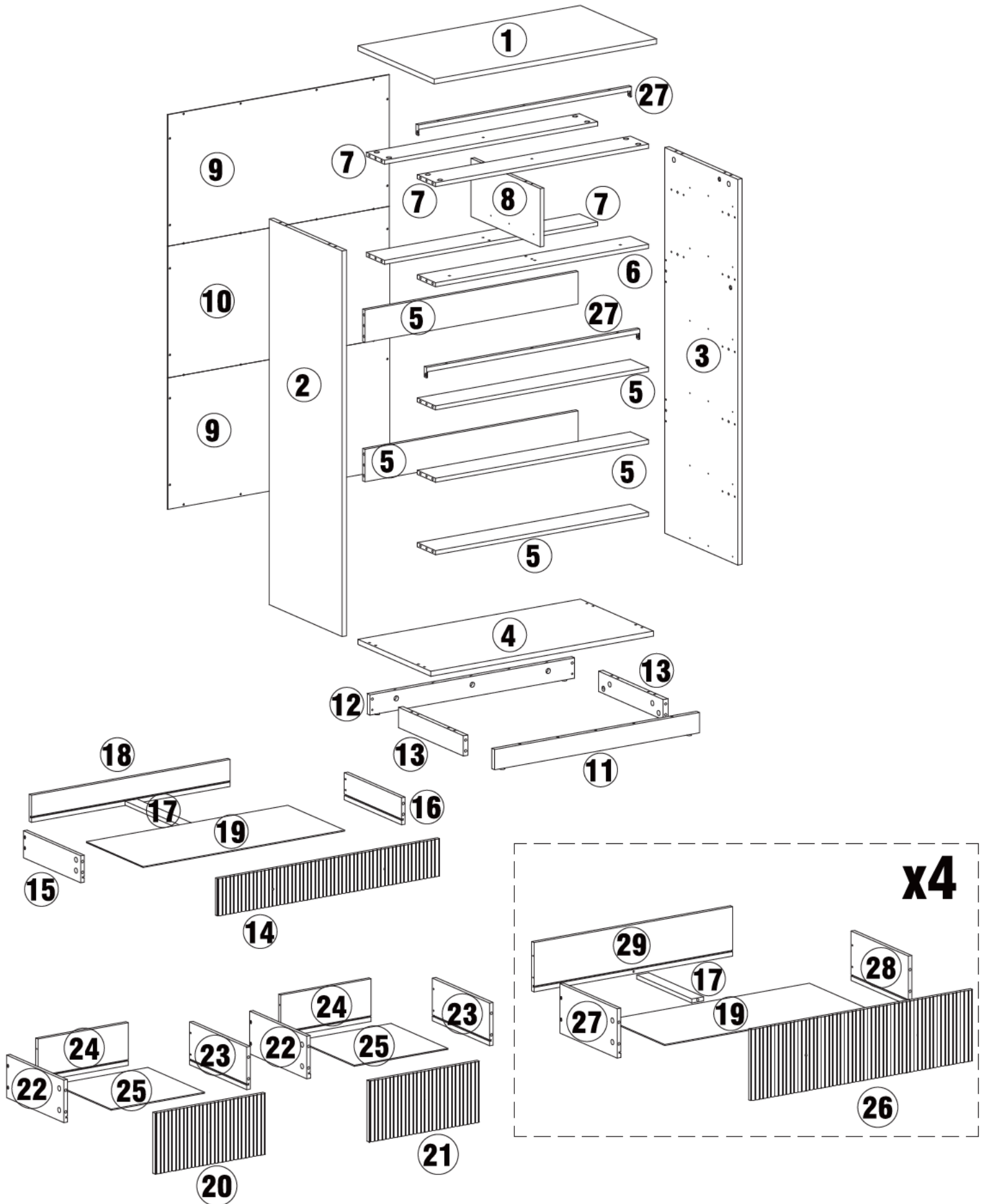


ASSEMBLY INSTRUCTIONS



PACKAGE INCLUDE



PACKAGE CONTENT

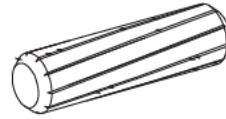
Ø6x33.5MM



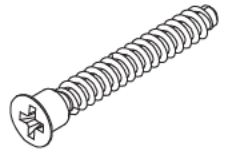
Ø15x9.5MM



Ø6x30MM



Ø5x48MM

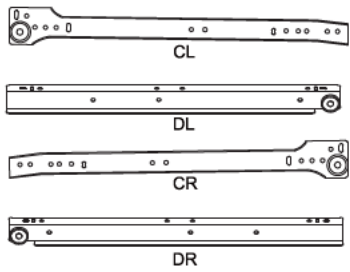


A 87X+2

B 87X+2

C 42X+2

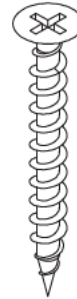
D 8X+1



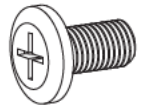
Ø3.5x12MM



Ø4x30MM



M6x10MM



E 7X

F 98X+2

G 33X+2

H 4X

Ø3x14MM



M4x20MM



Ø30MM



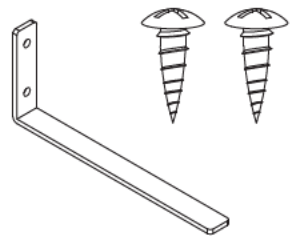
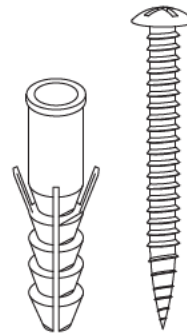
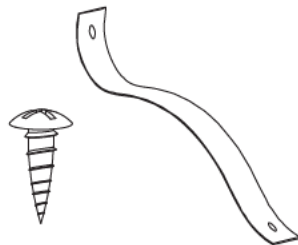
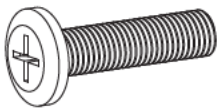
I 28X+2

J 12X

K 12X

L 20X+2

M6x25MM

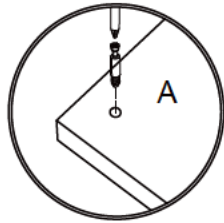


M 6X

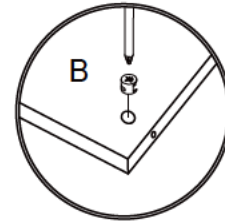
N 2X

O 2X

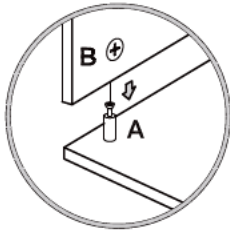
How to use the cam lock system



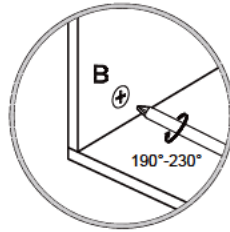
1. Screw cam bolt into panel



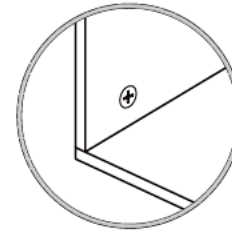
2. Push cam into panel - arrow feature on cam top points to panel edge



3. Align cam bolt(s) with cam(s) and insert all the way into cross-bored hole(s)

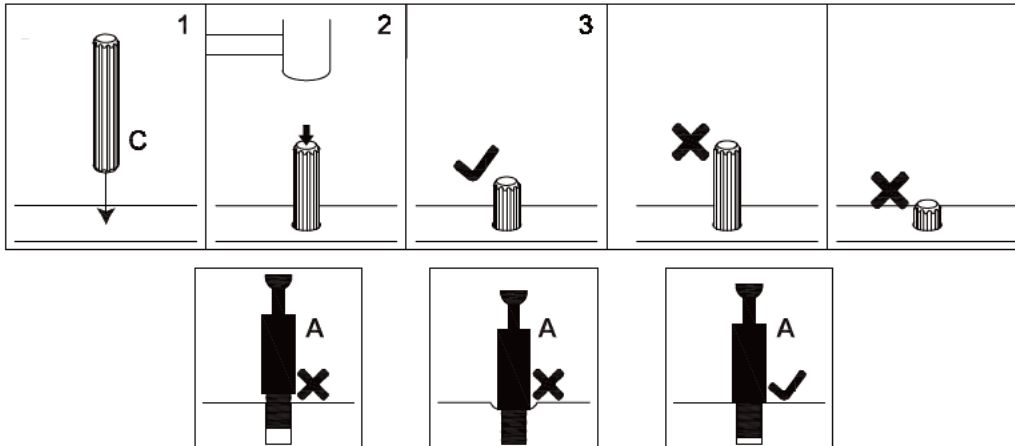


4. Rotate cam(s) clockwise 190°-230° to lock panels together



5. Panels should be tight against each other and connection should be rigid

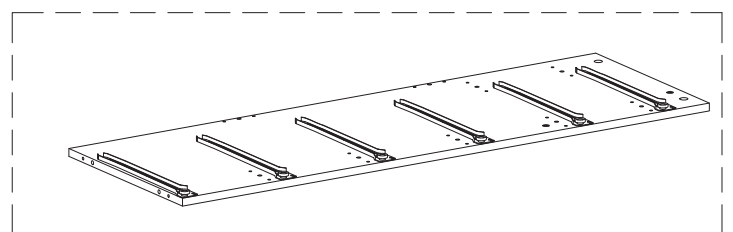
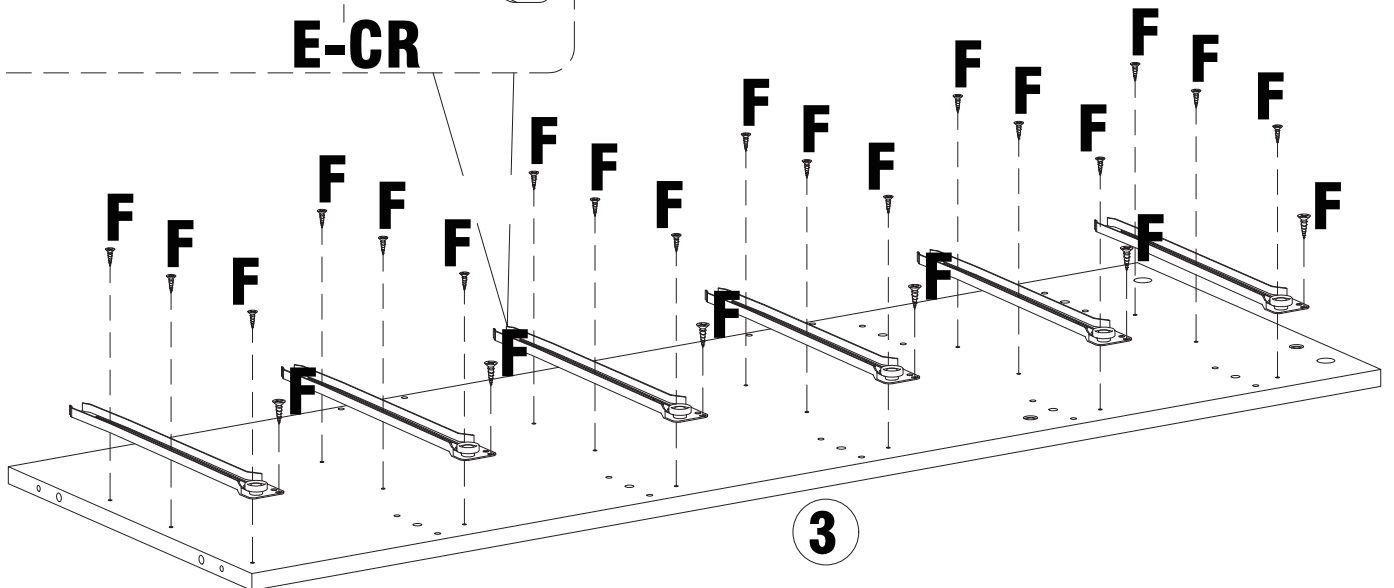
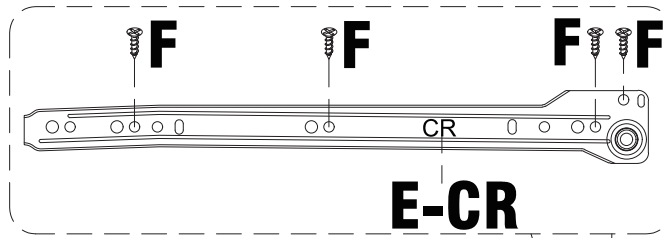
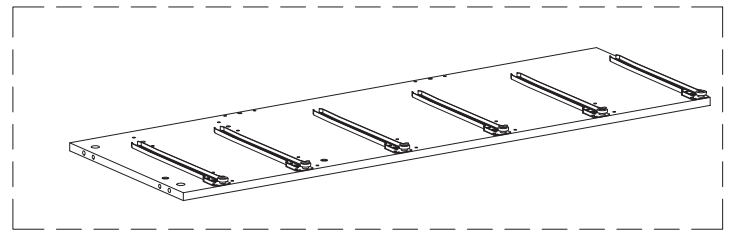
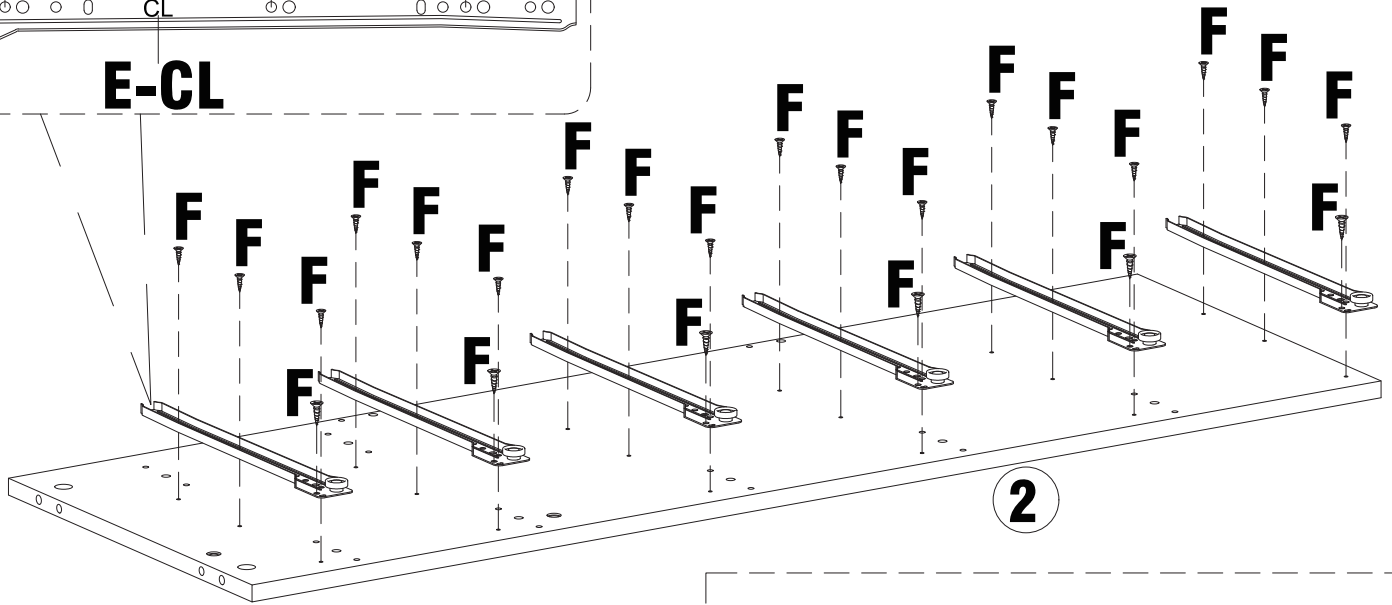
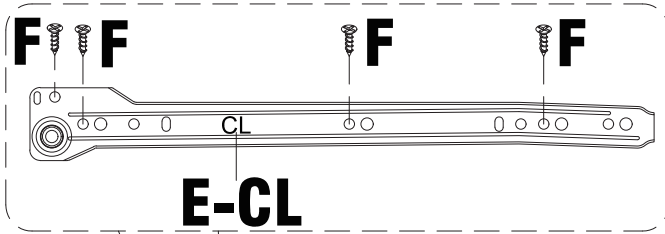
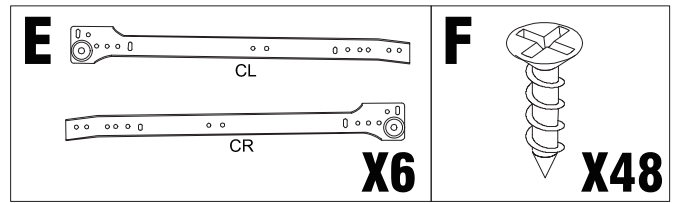
Insert the wood dowel [C] at least half way by tapping lightly with a rubber mallet, IF NECESSARY.



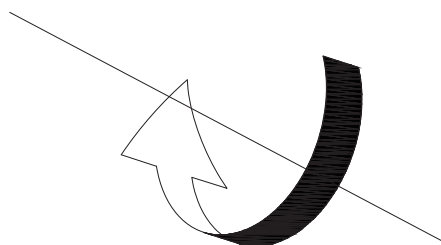
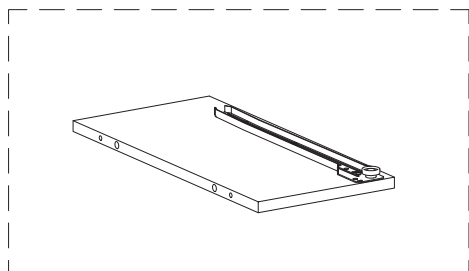
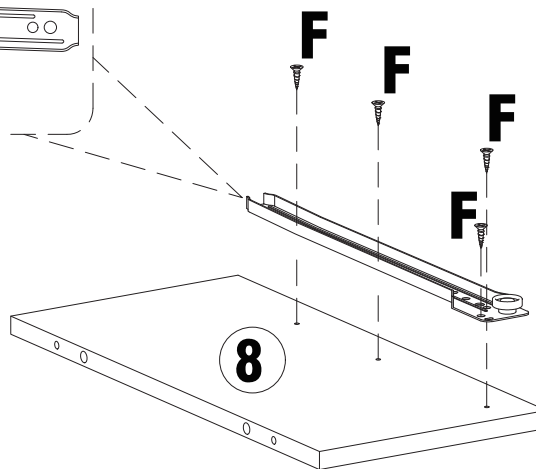
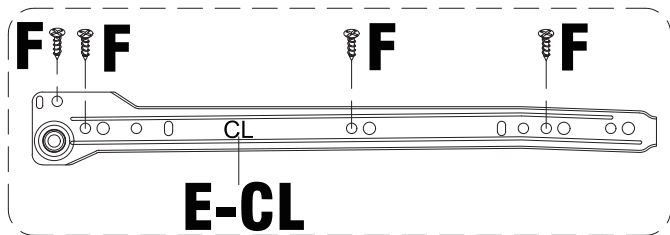
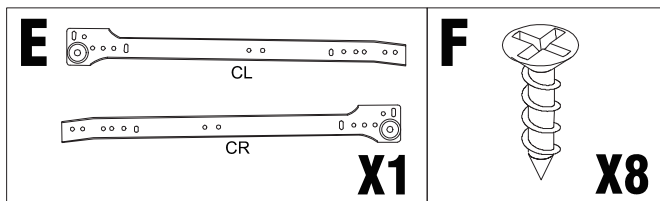
⚠ WARNING

- Unit must be placed on a level surface or leveled with included hardware (when applicable).
- Do not sit or stand on or allow children to climb, sit or stand on the assembled product.
- For safety reasons, it is imperative that this unit be mounted to the wall.
- Do not use without installing the tip restraint.
- Unit can tip over causing severe injury or death.
- Do not exceed the recommended weight limits.
- Evenly distribute the weight on each level and always keep the heavier loads on the bottom.
- Before cutting, drilling or hammering into any wall or floor surface, verify the location of electrical, plumbing and gas lines. Cutting may cause serious injury.

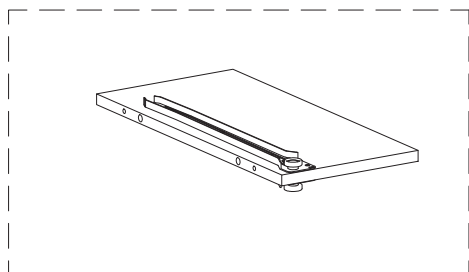
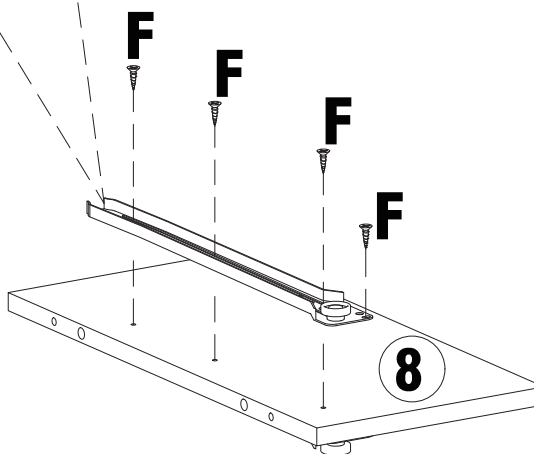
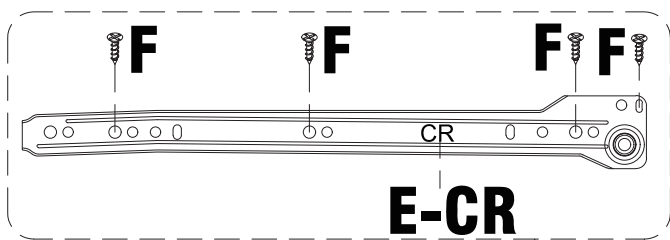
STEP 1



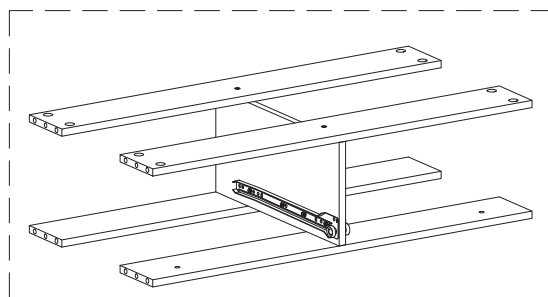
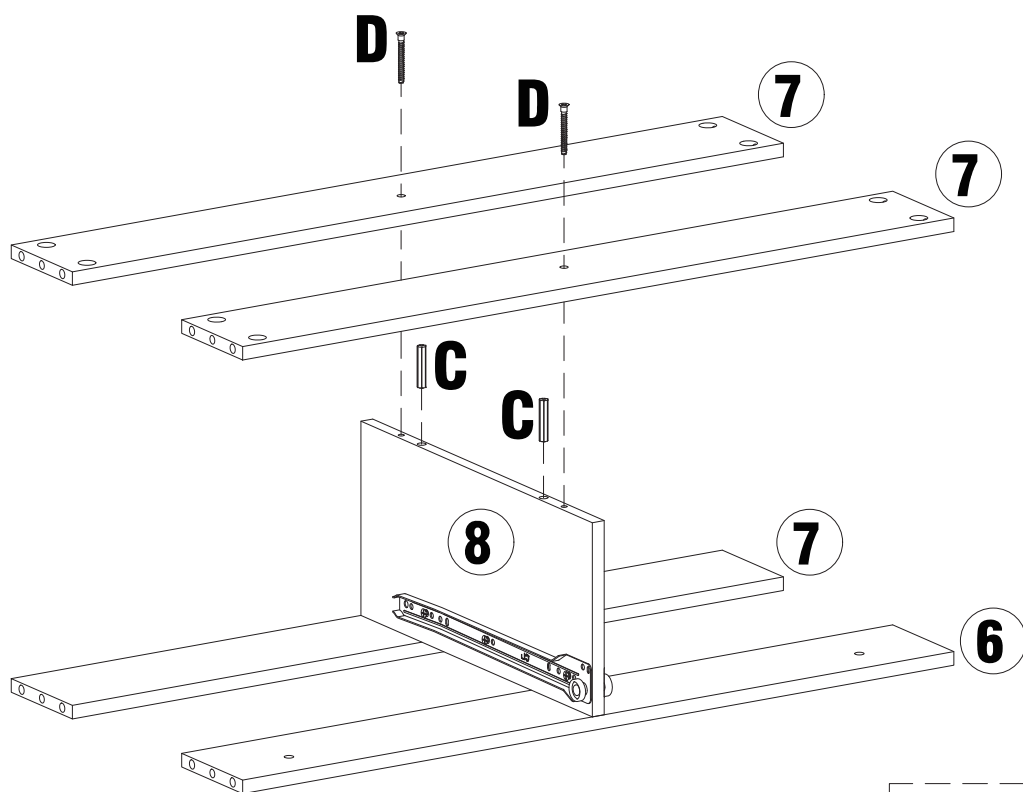
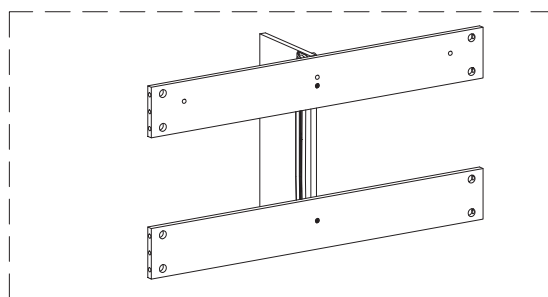
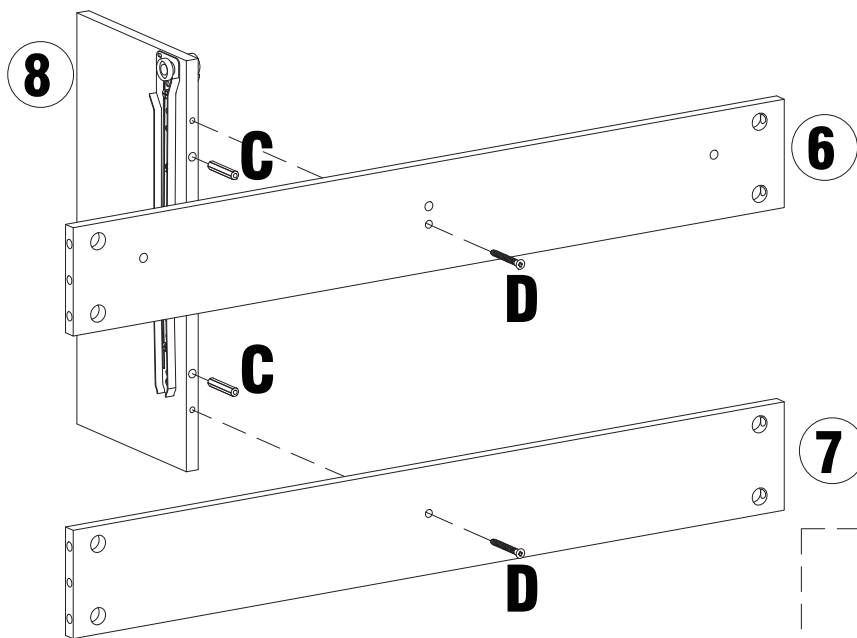
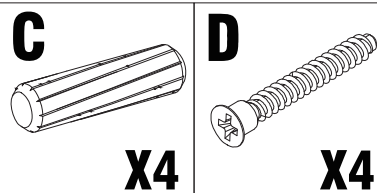
STEP 2



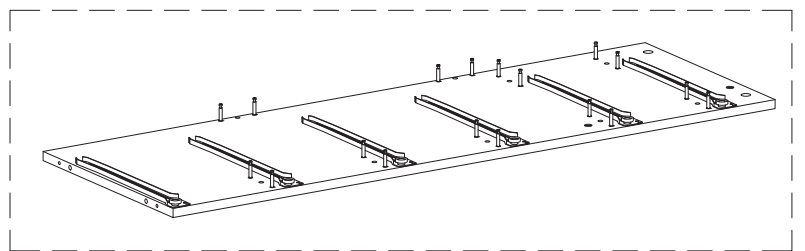
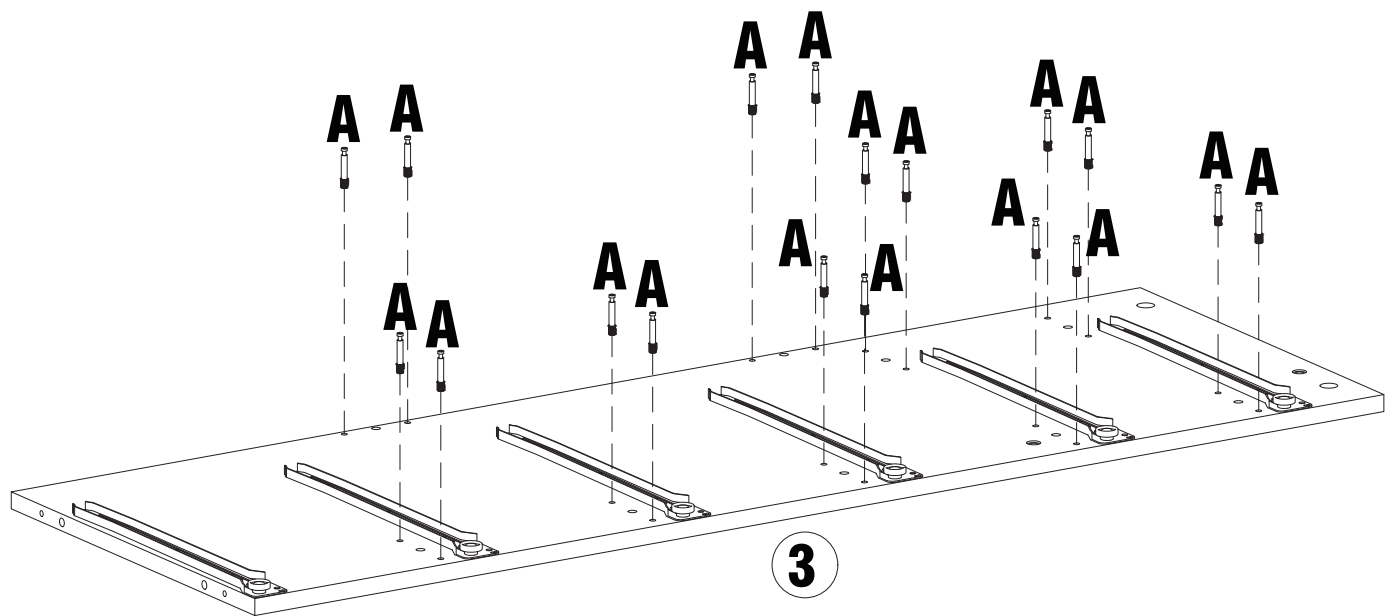
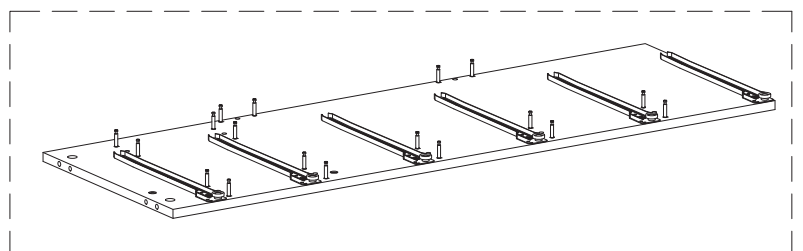
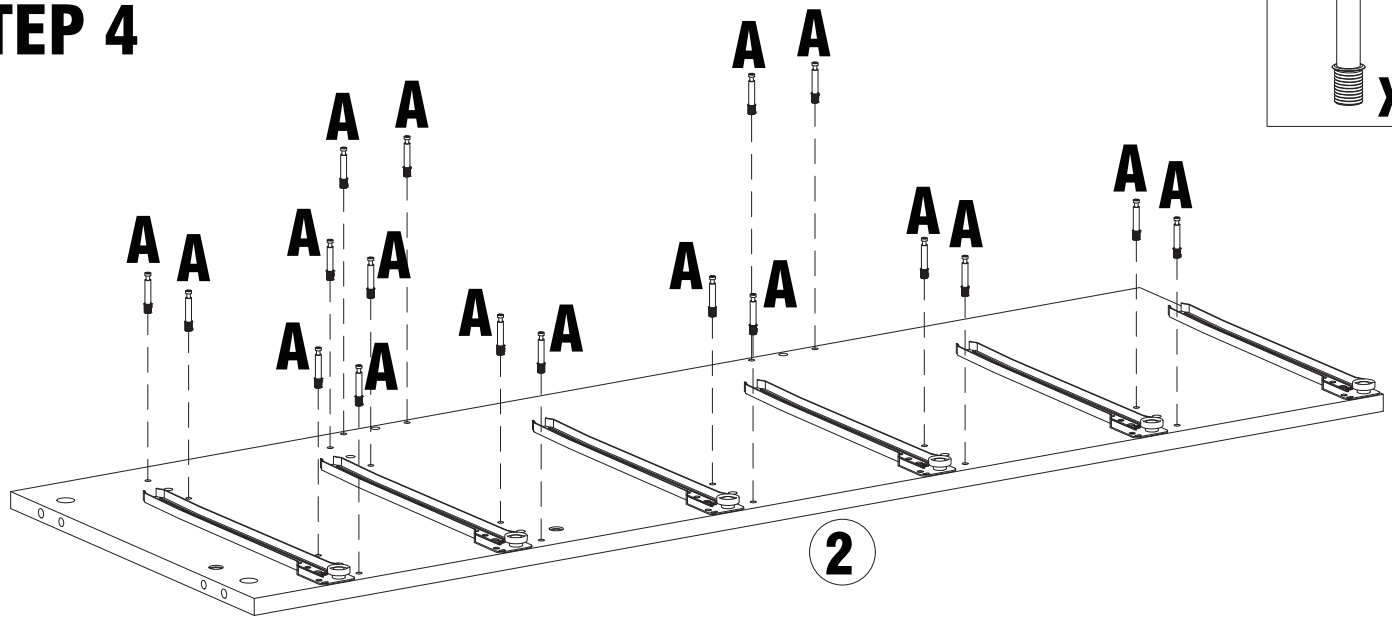
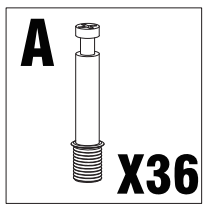
180°



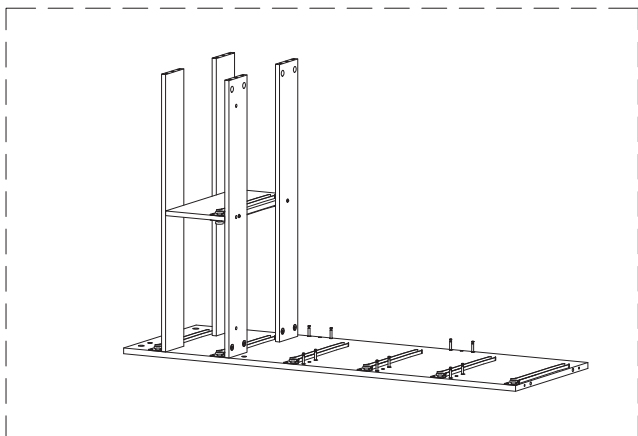
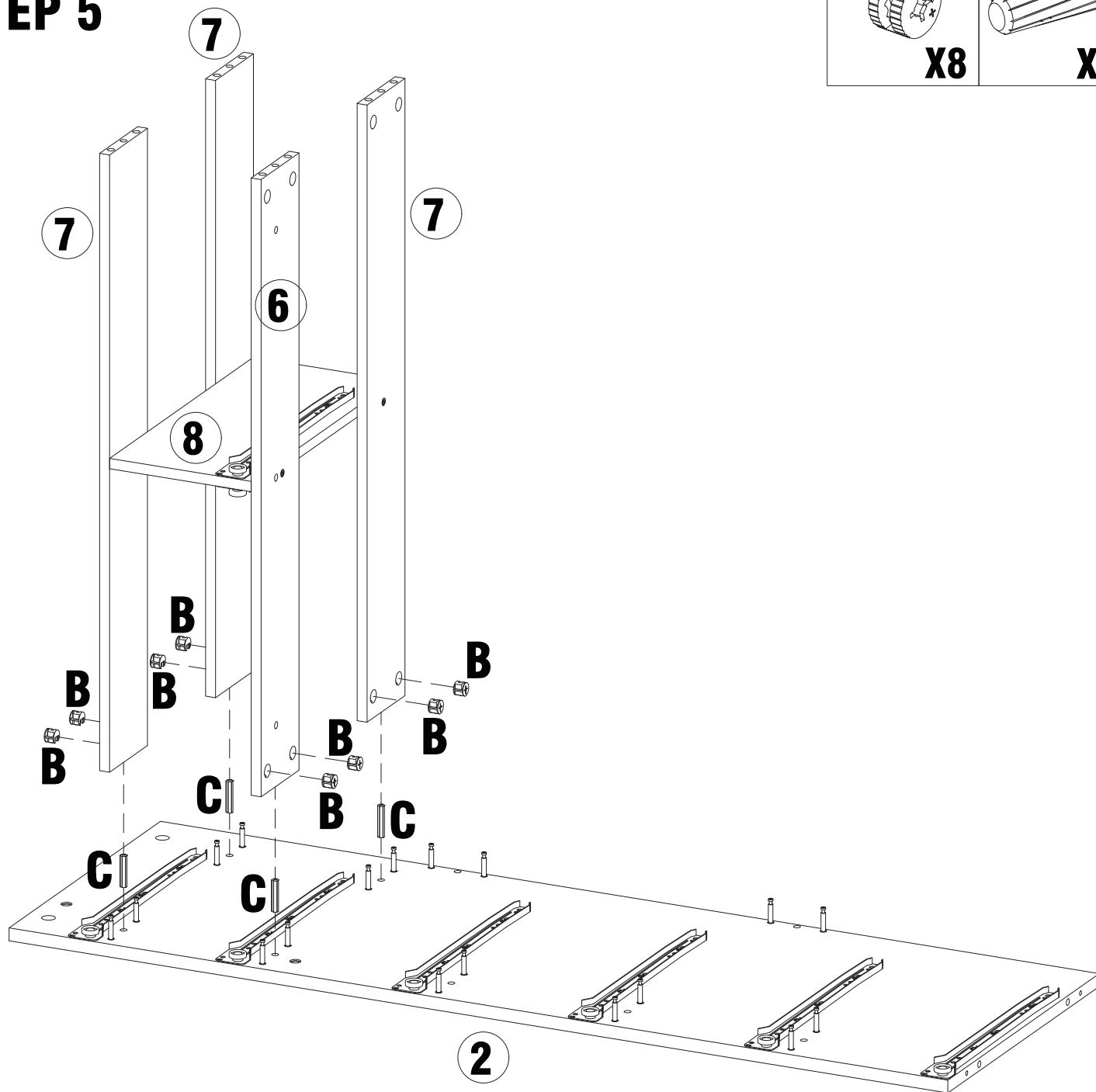
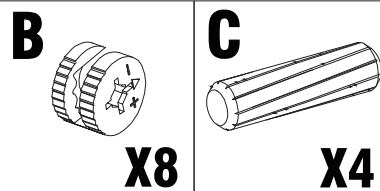
STEP 3



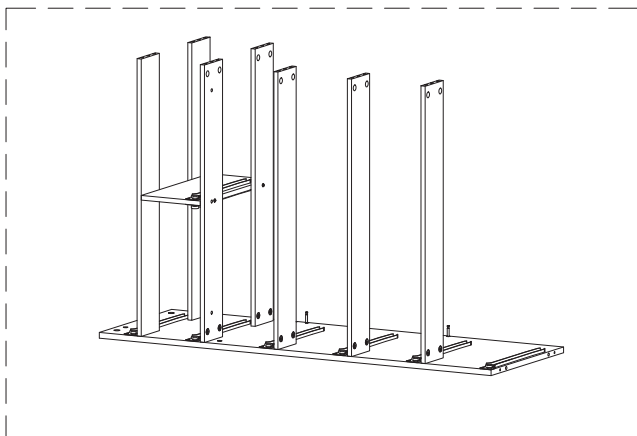
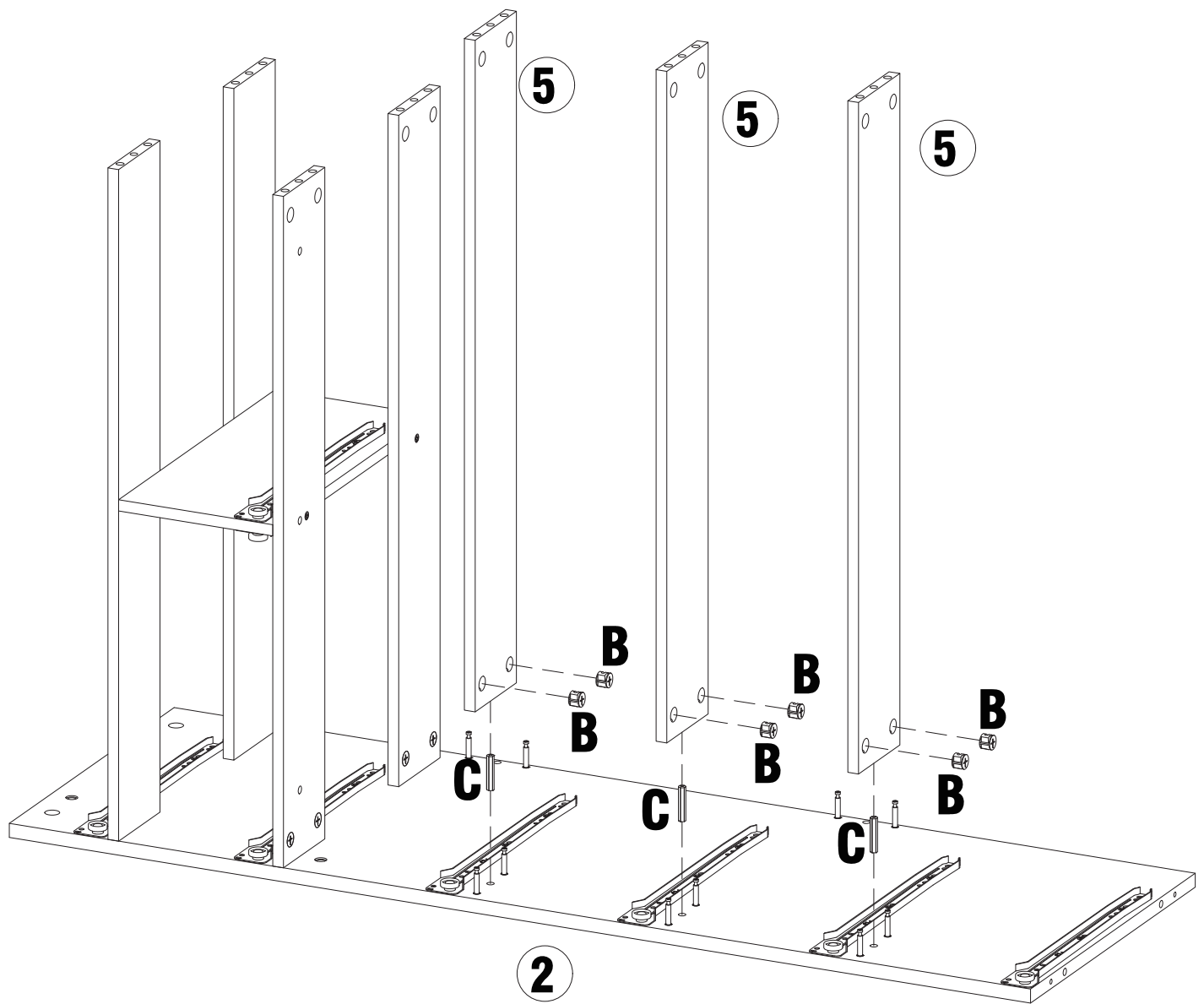
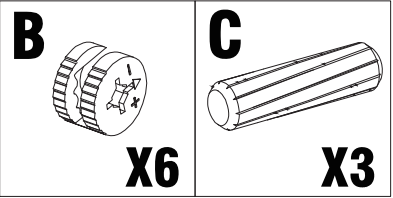
STEP 4



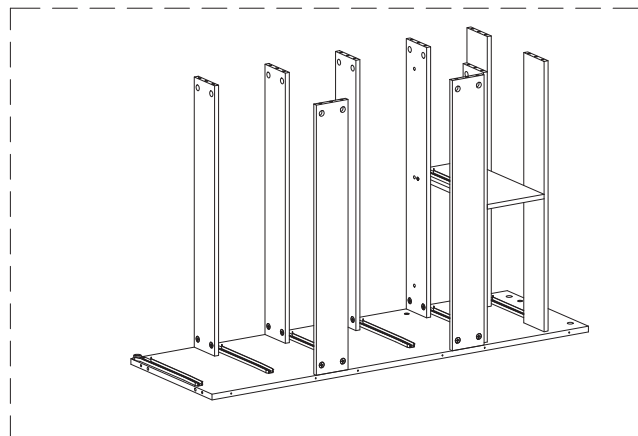
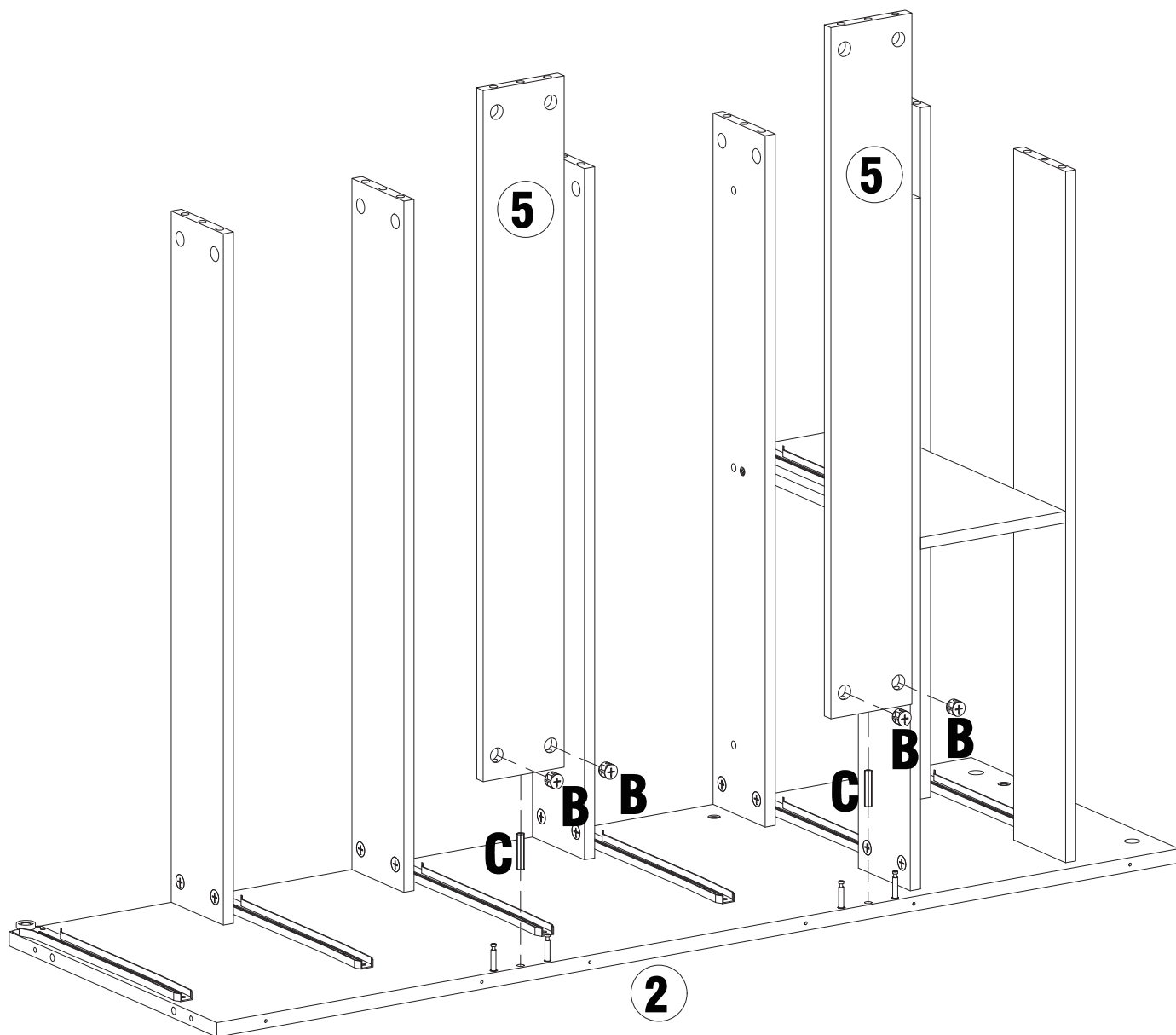
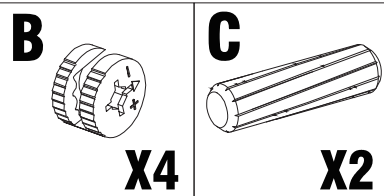
STEP 5



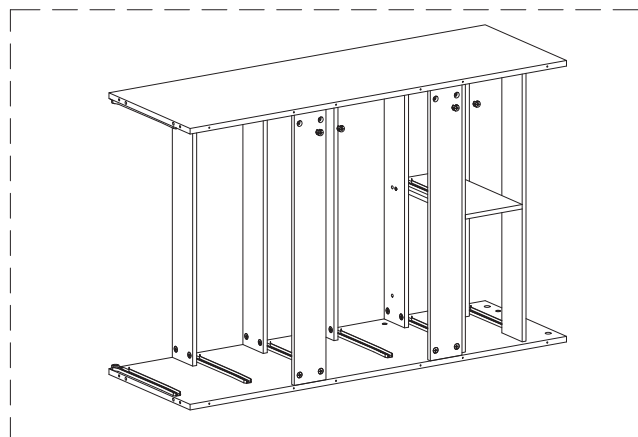
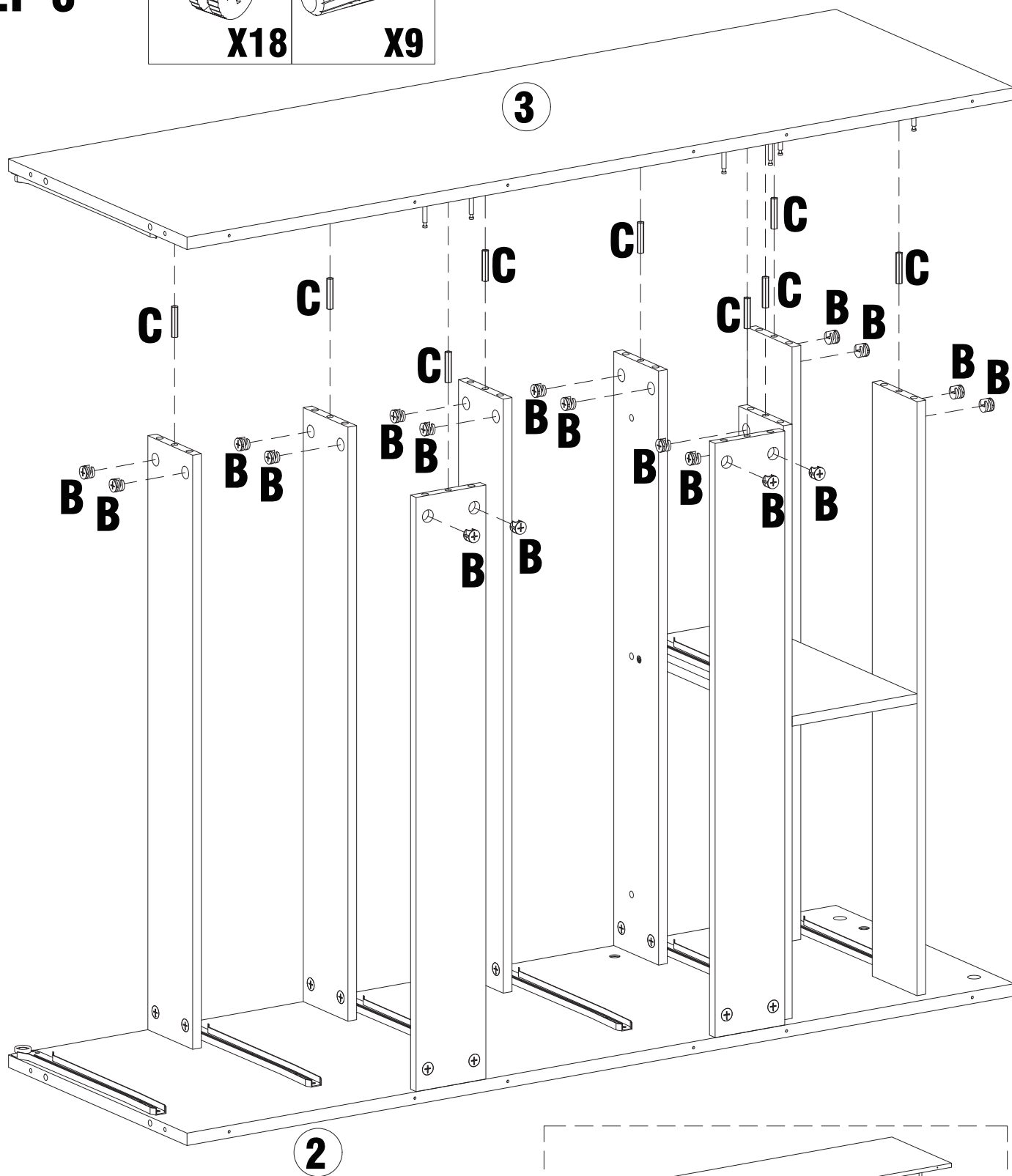
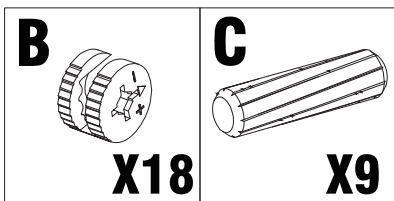
STEP 6



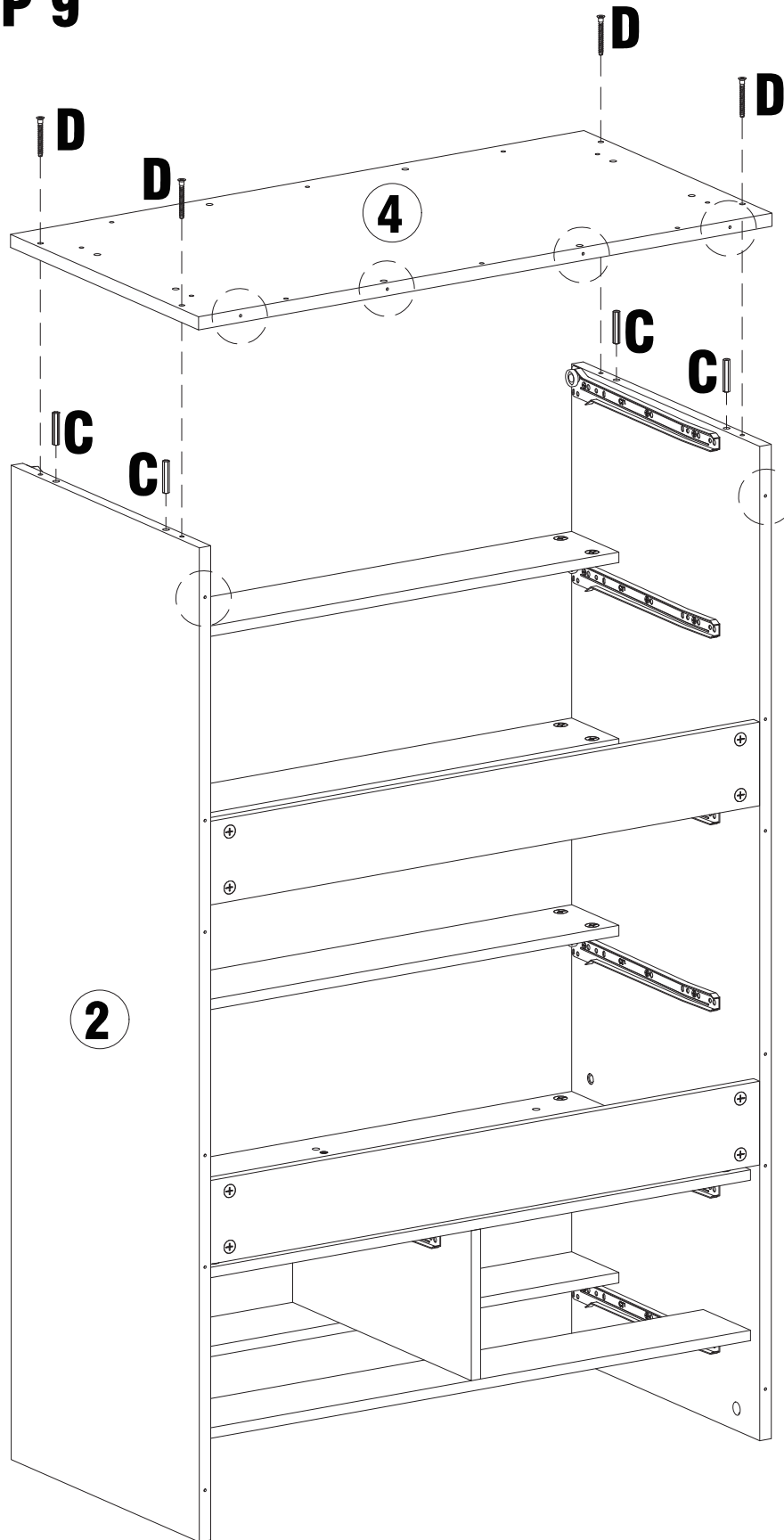
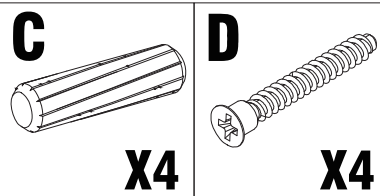
STEP 7



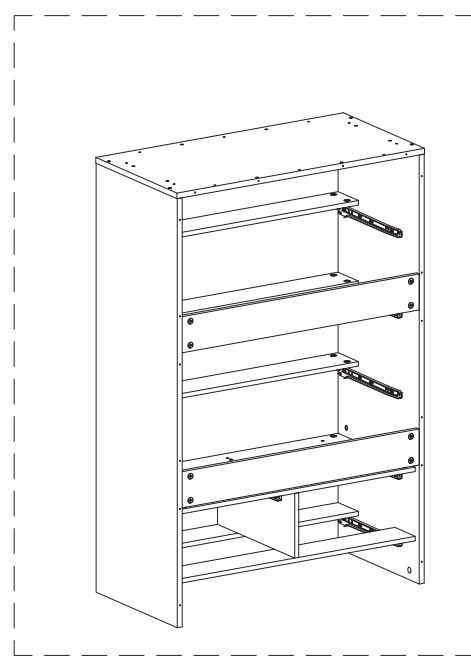
STEP 8



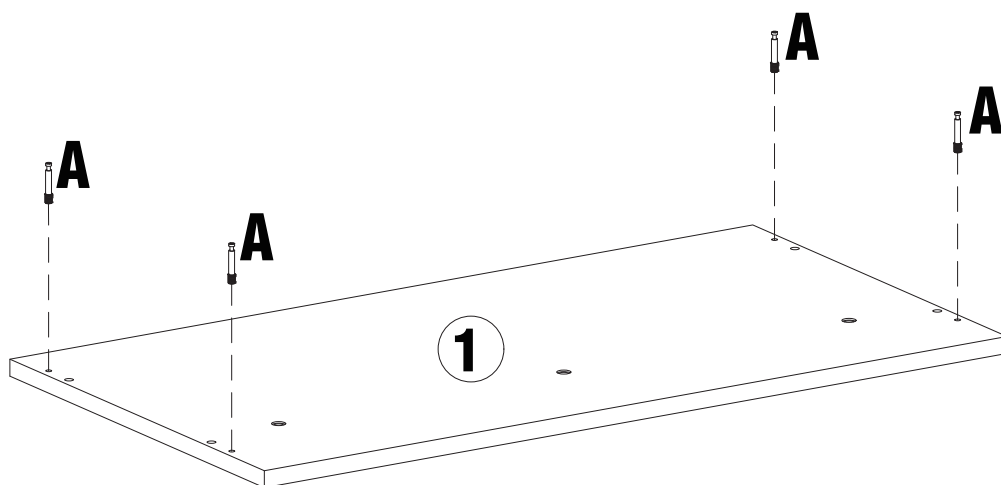
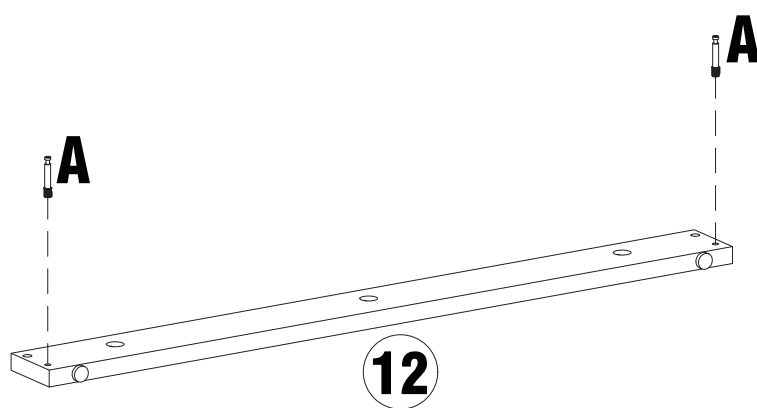
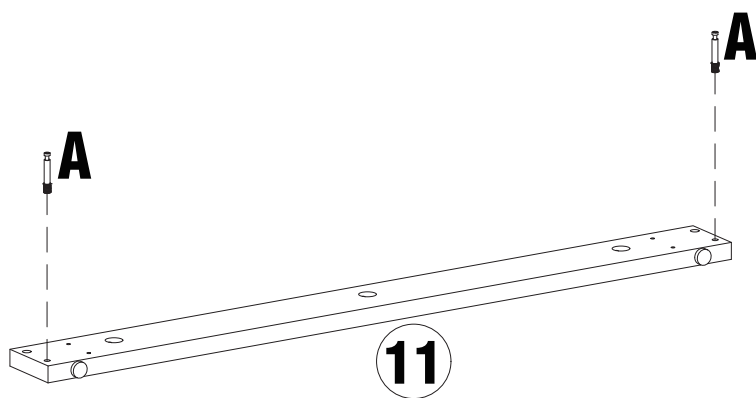
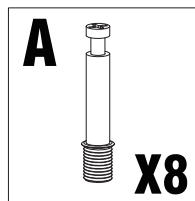
STEP 9



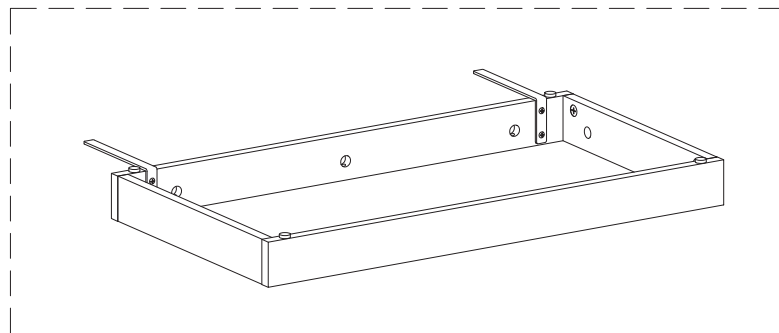
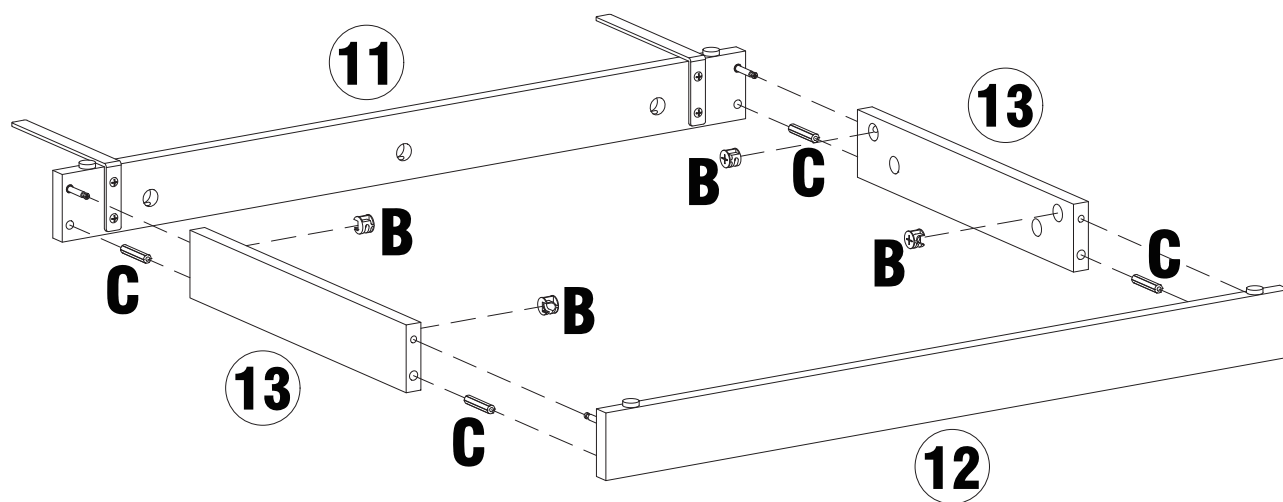
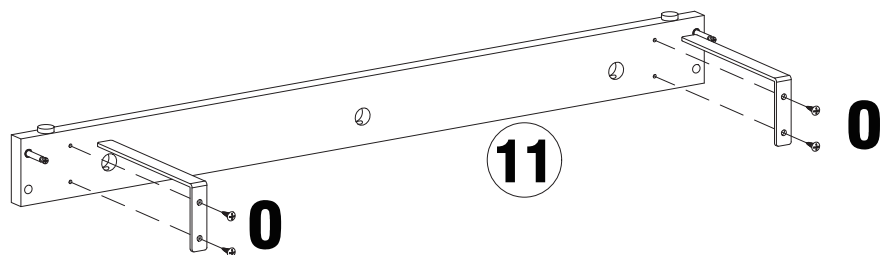
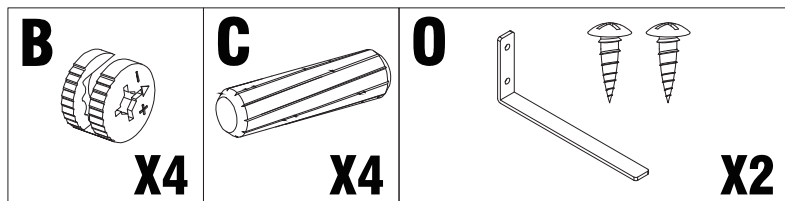
3



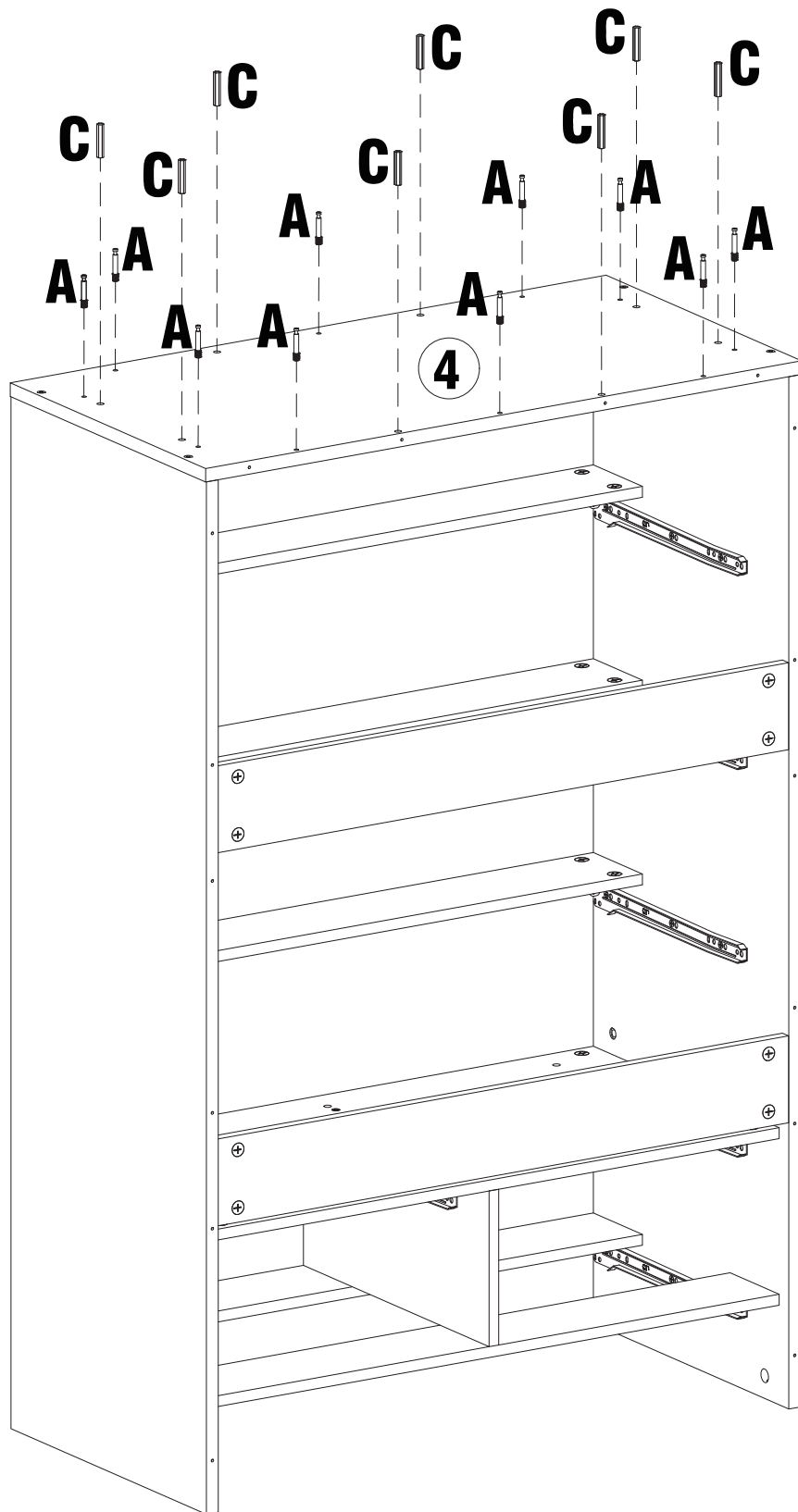
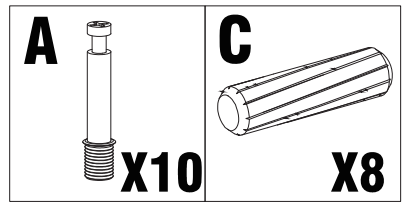
STEP 10



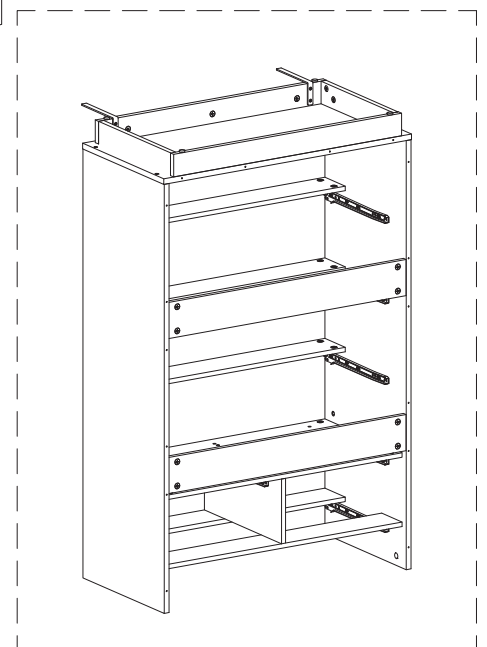
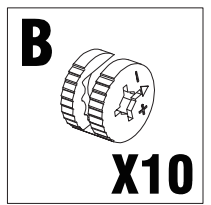
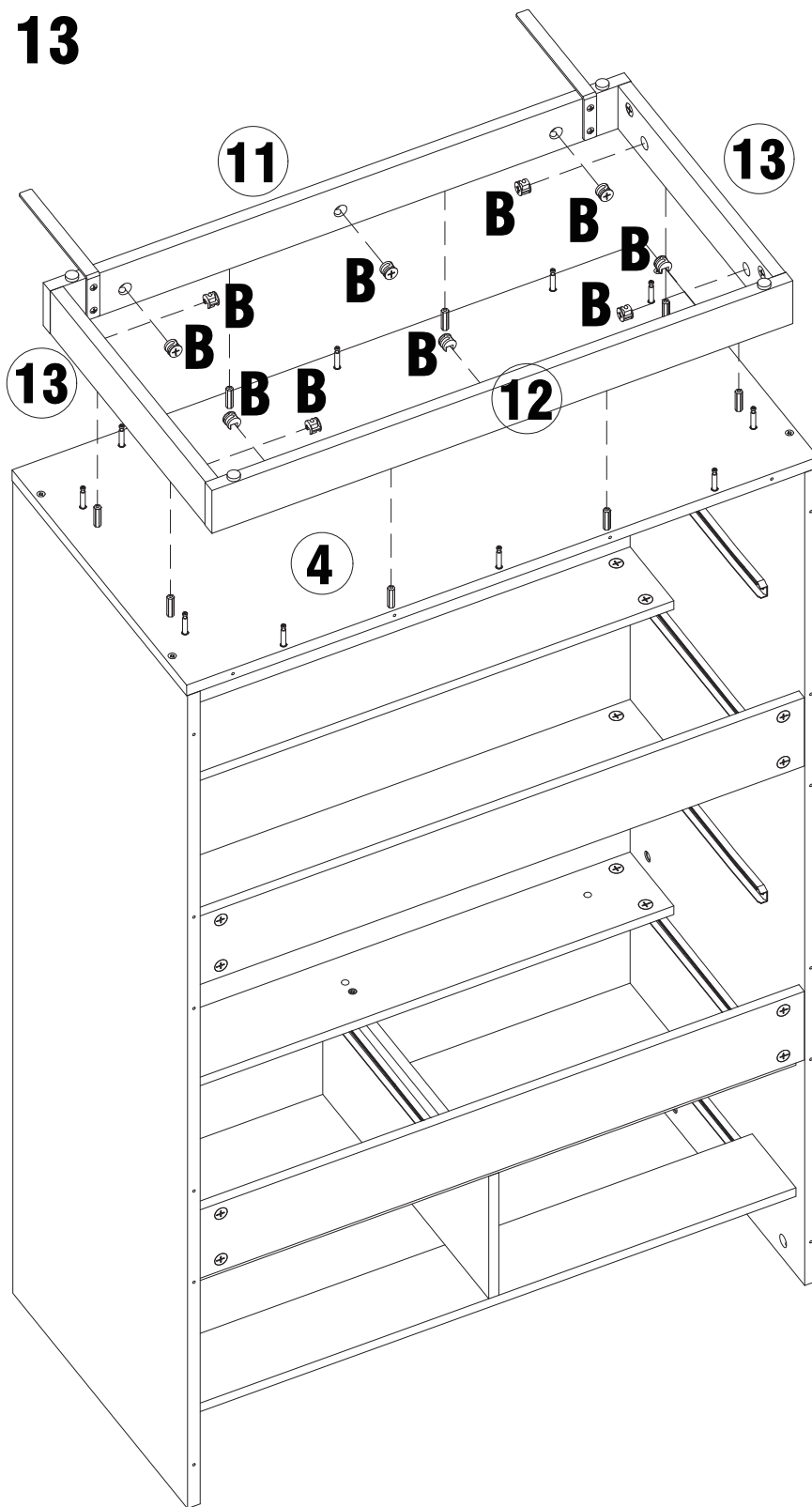
STEP 11



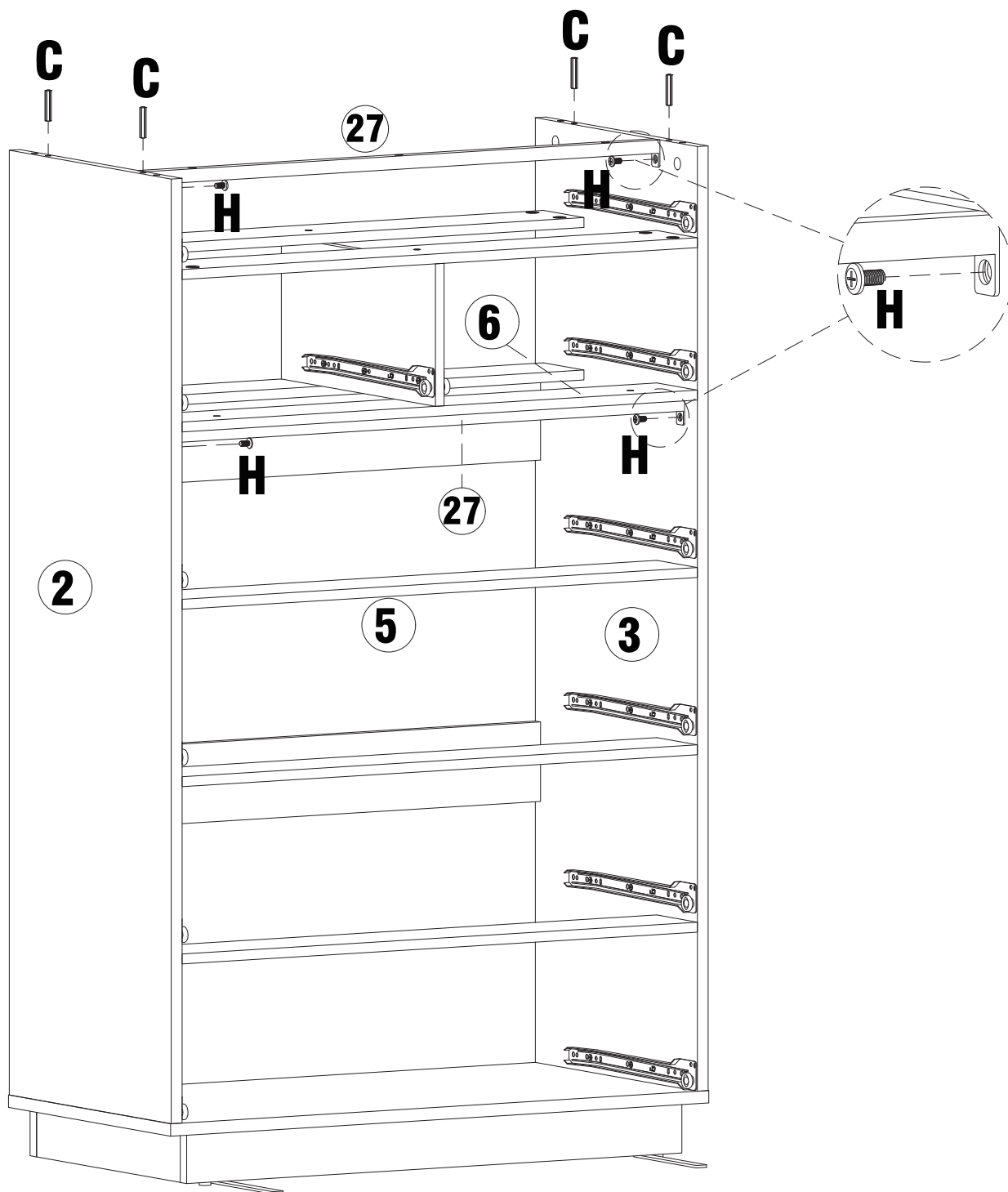
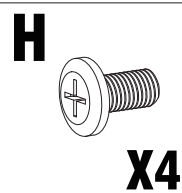
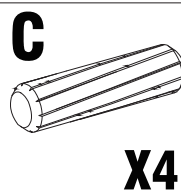
STEP 12



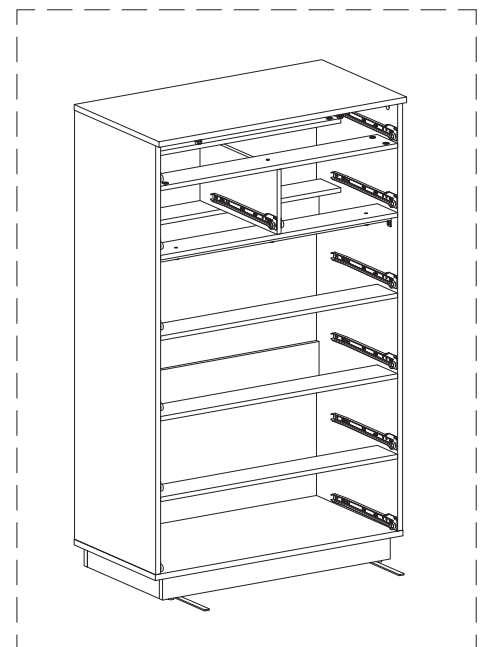
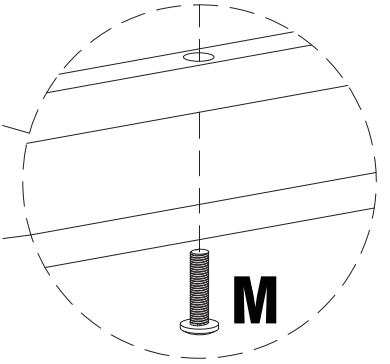
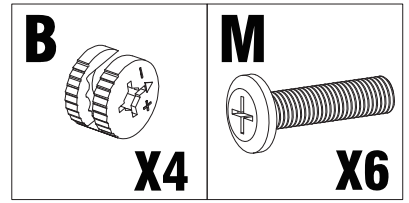
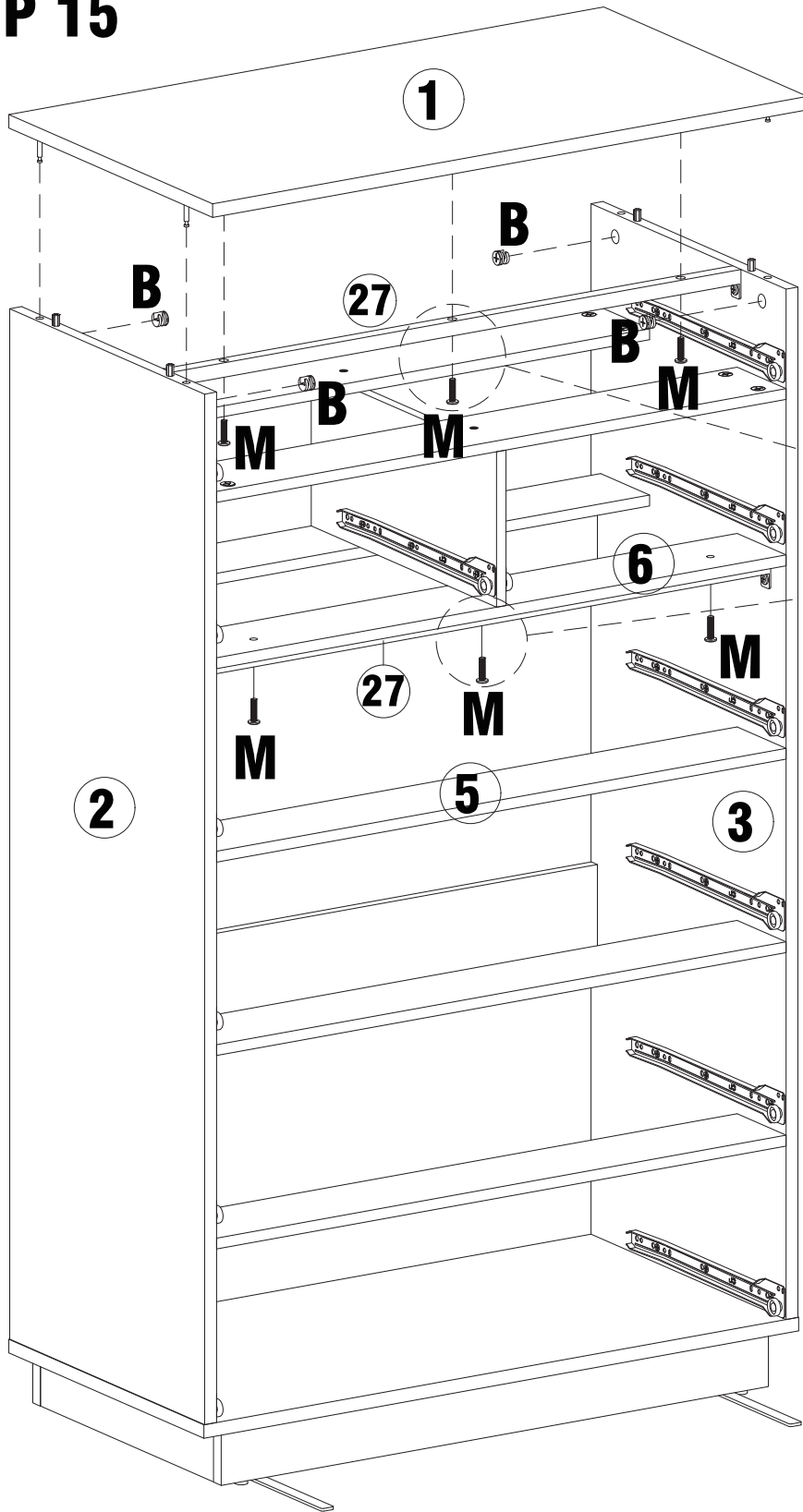
STEP 13



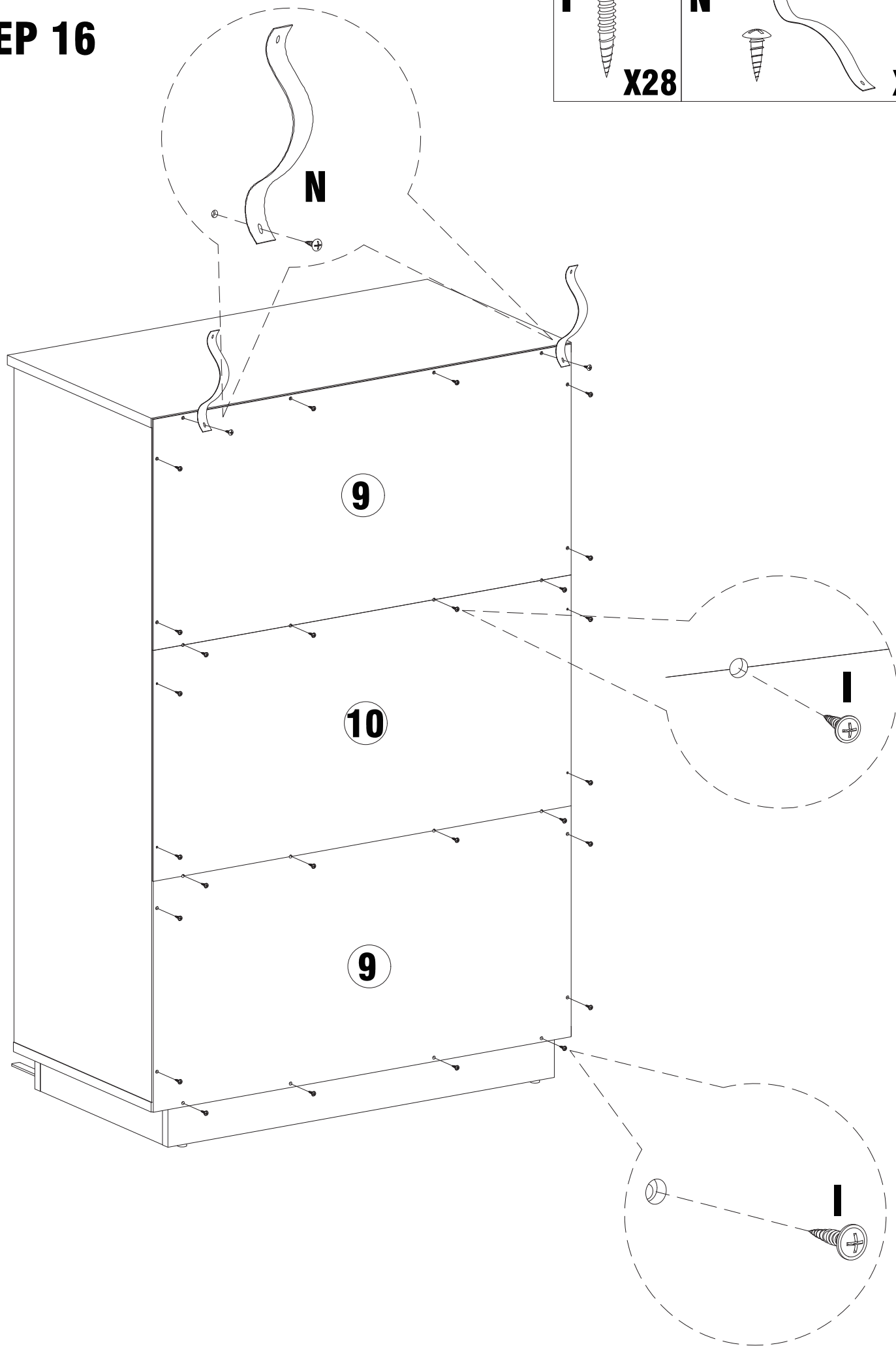
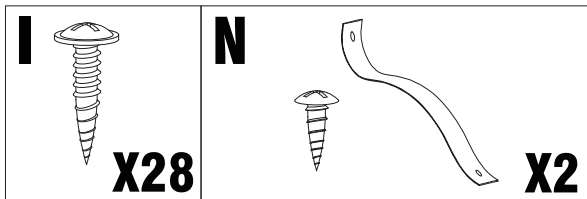
STEP 14



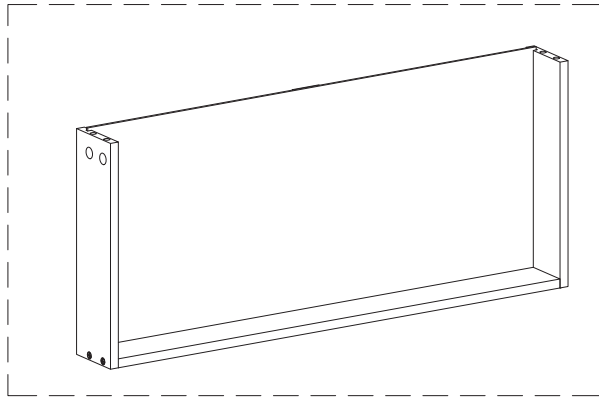
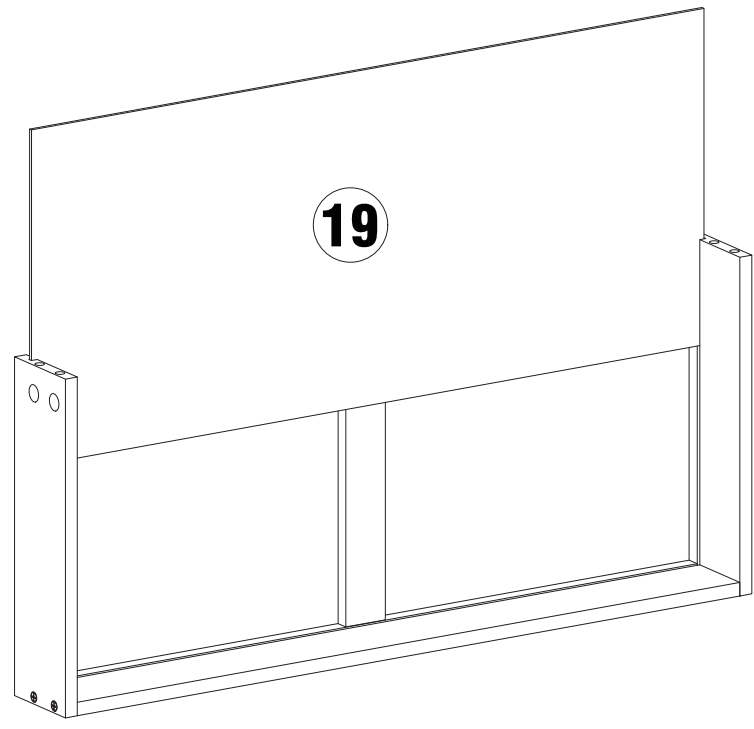
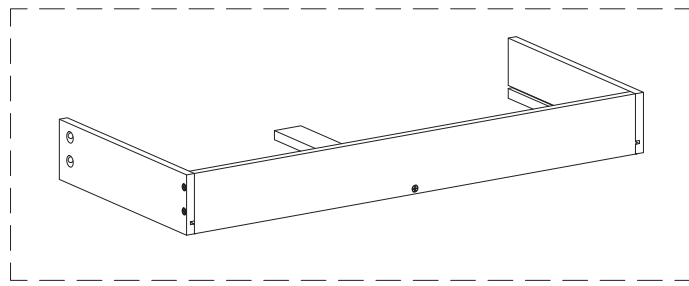
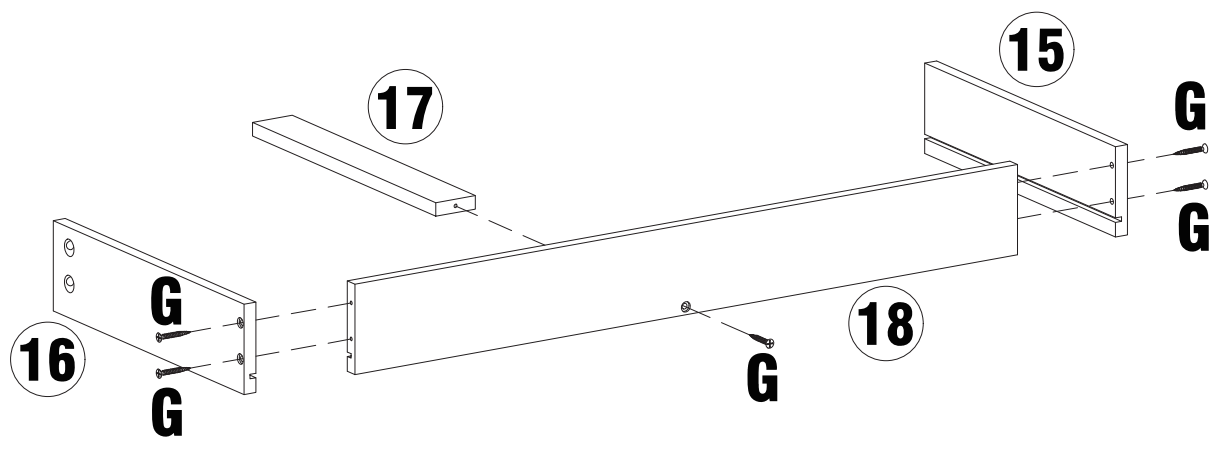
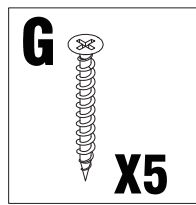
STEP 15



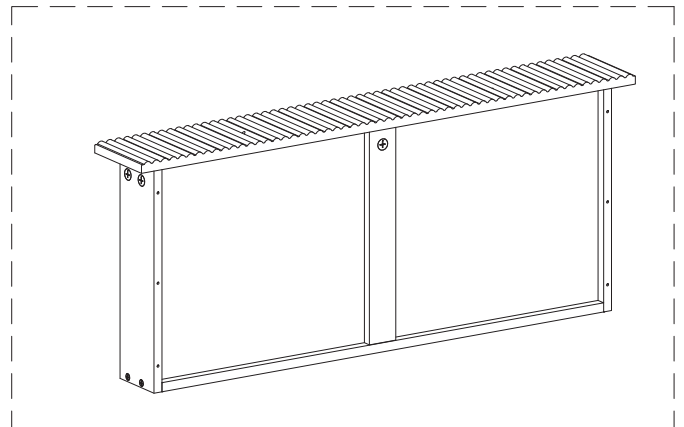
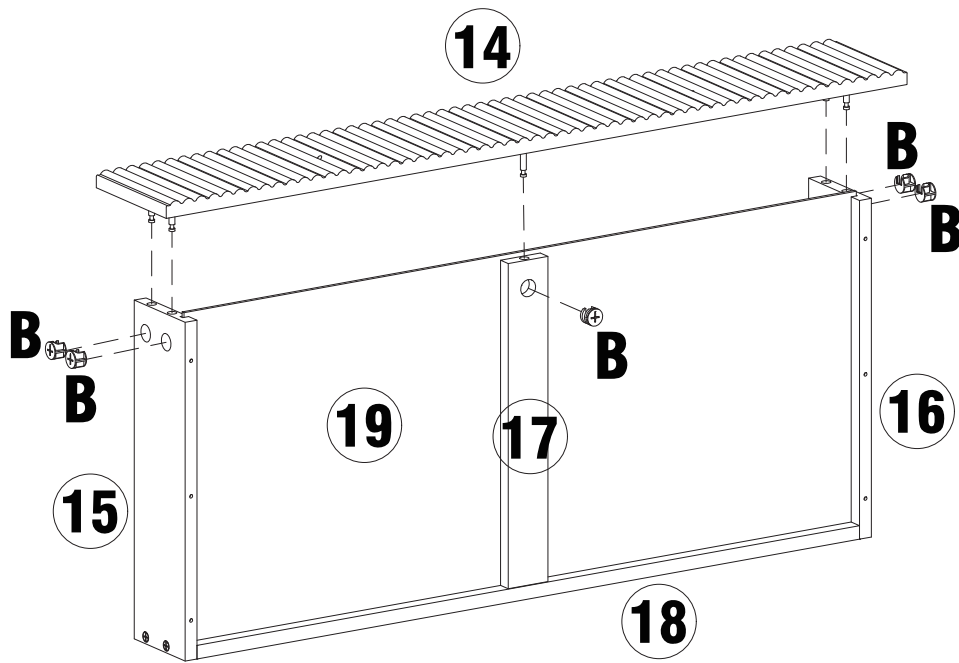
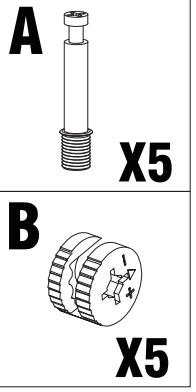
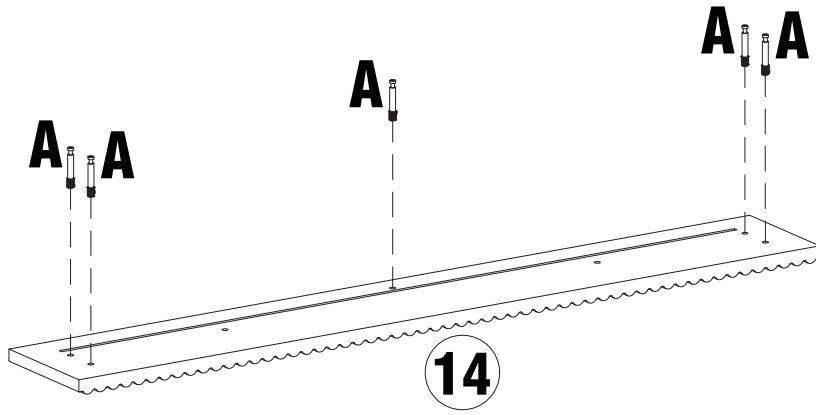
STEP 16



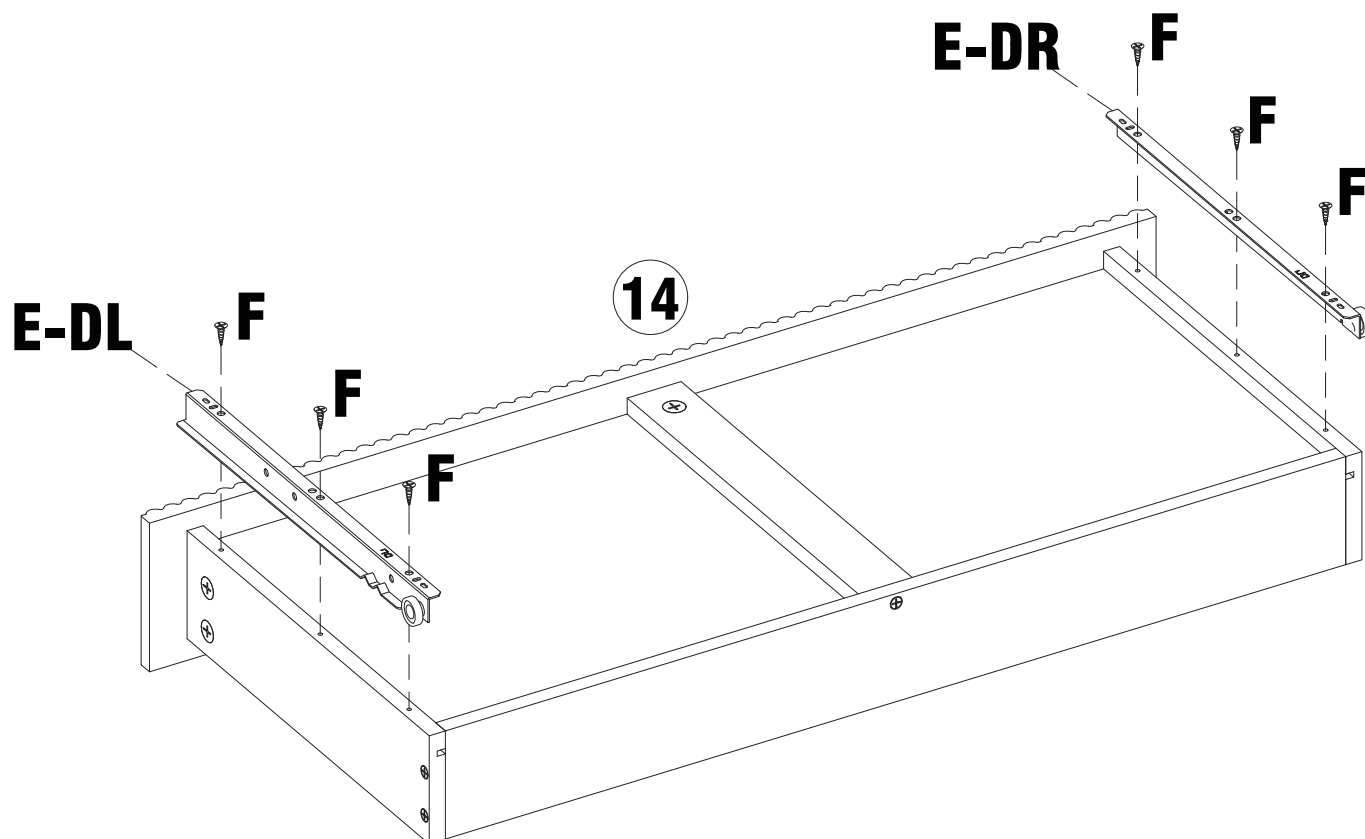
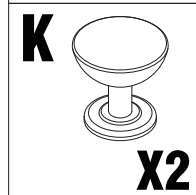
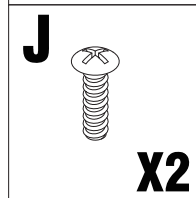
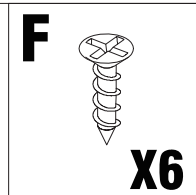
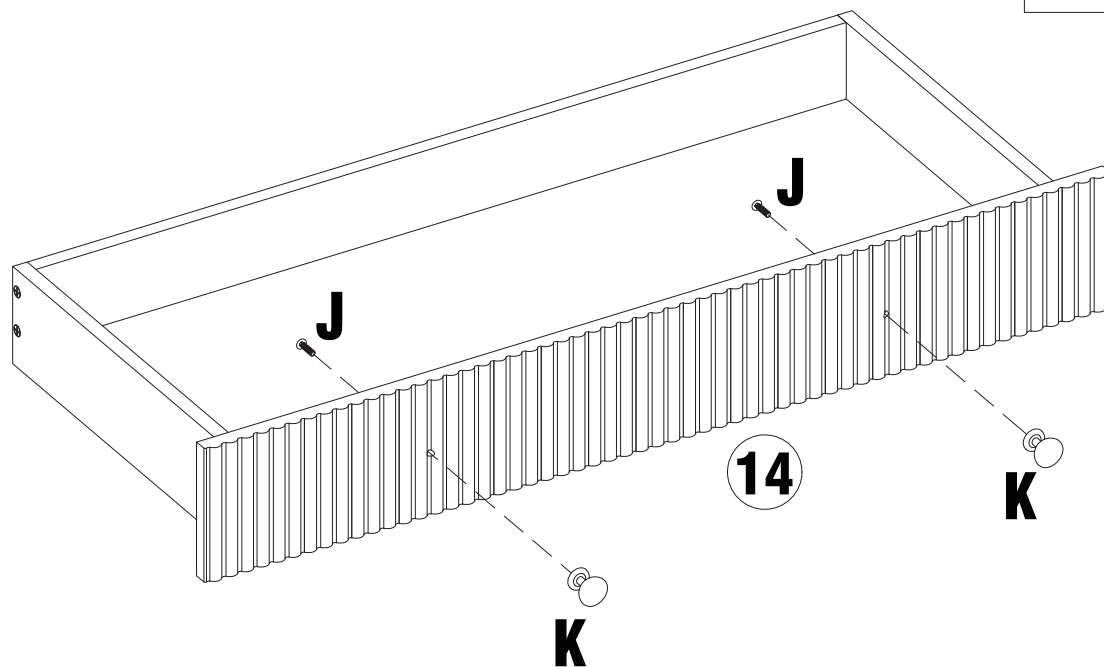
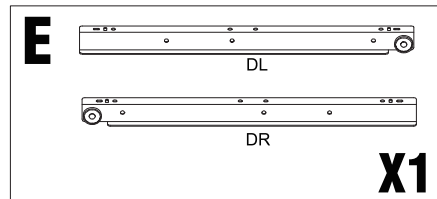
STEP 17



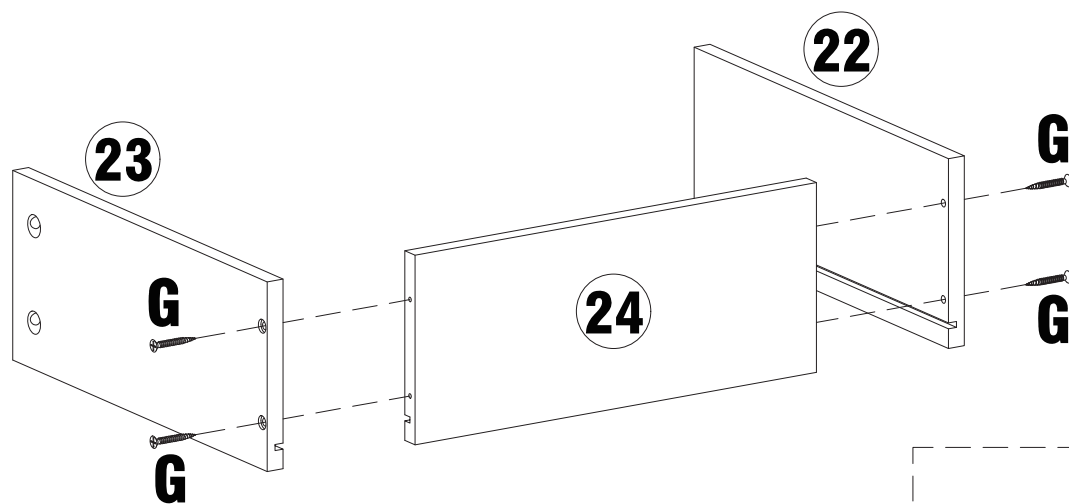
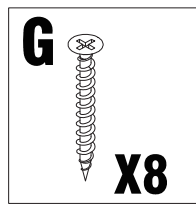
STEP 18



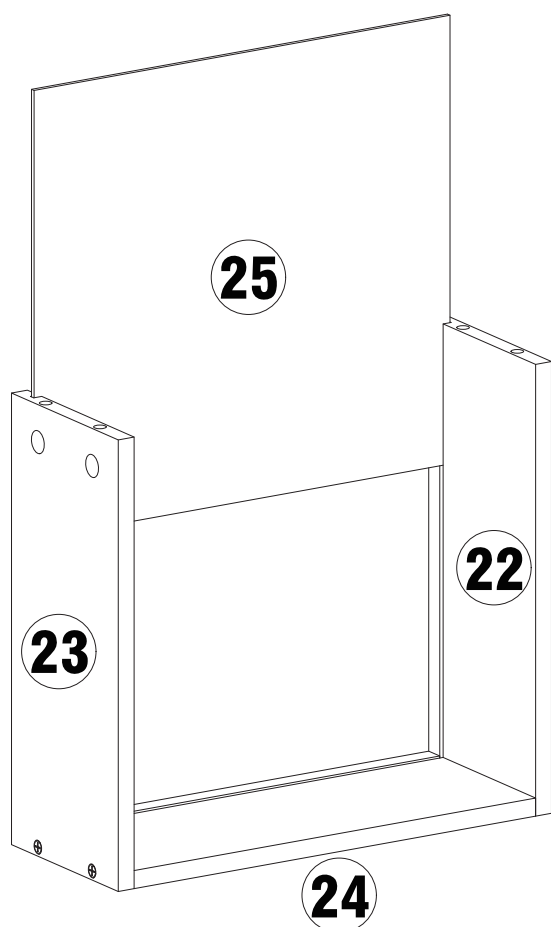
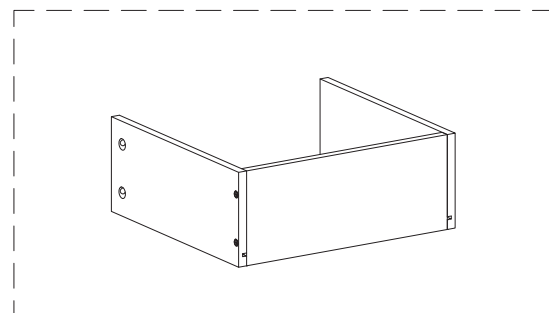
STEP 19



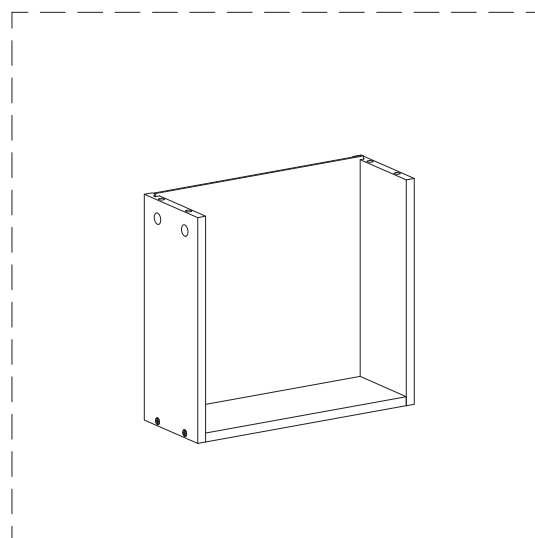
STEP 20



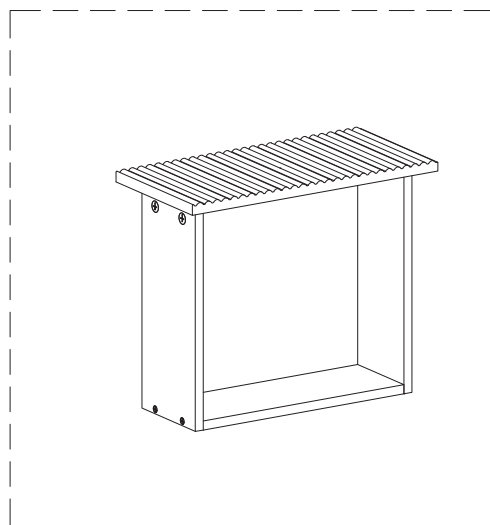
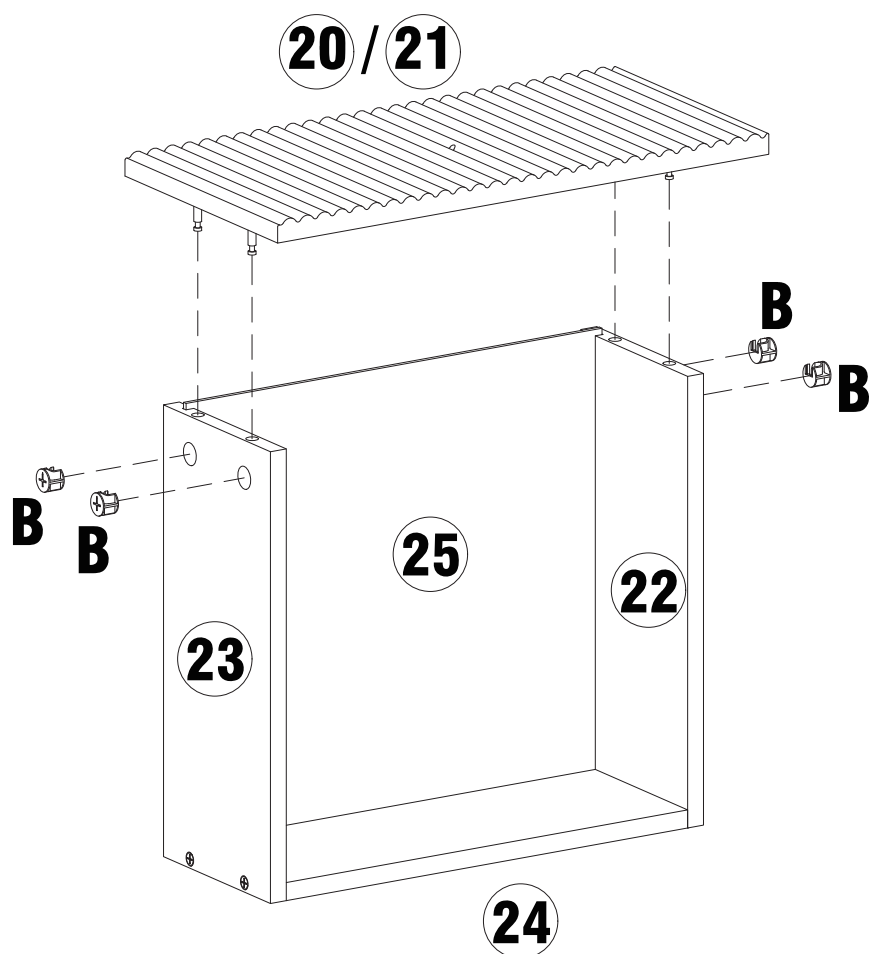
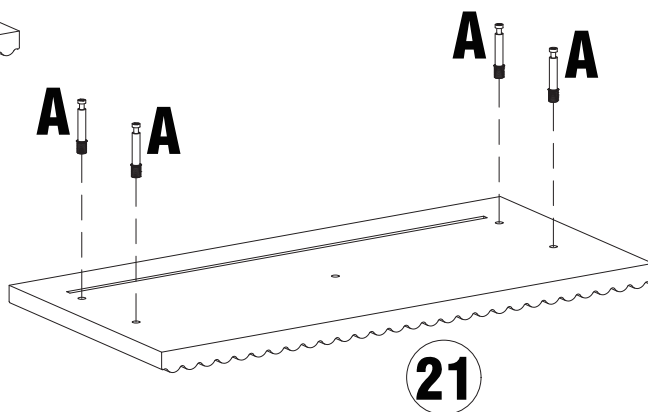
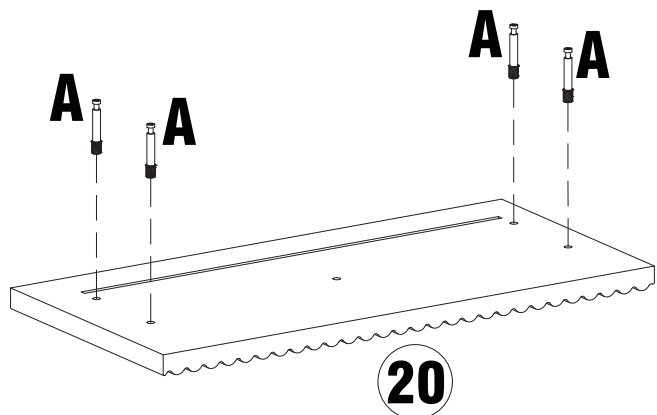
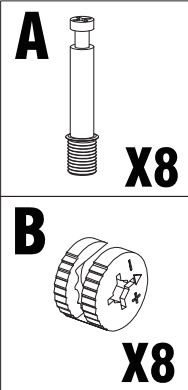
X2



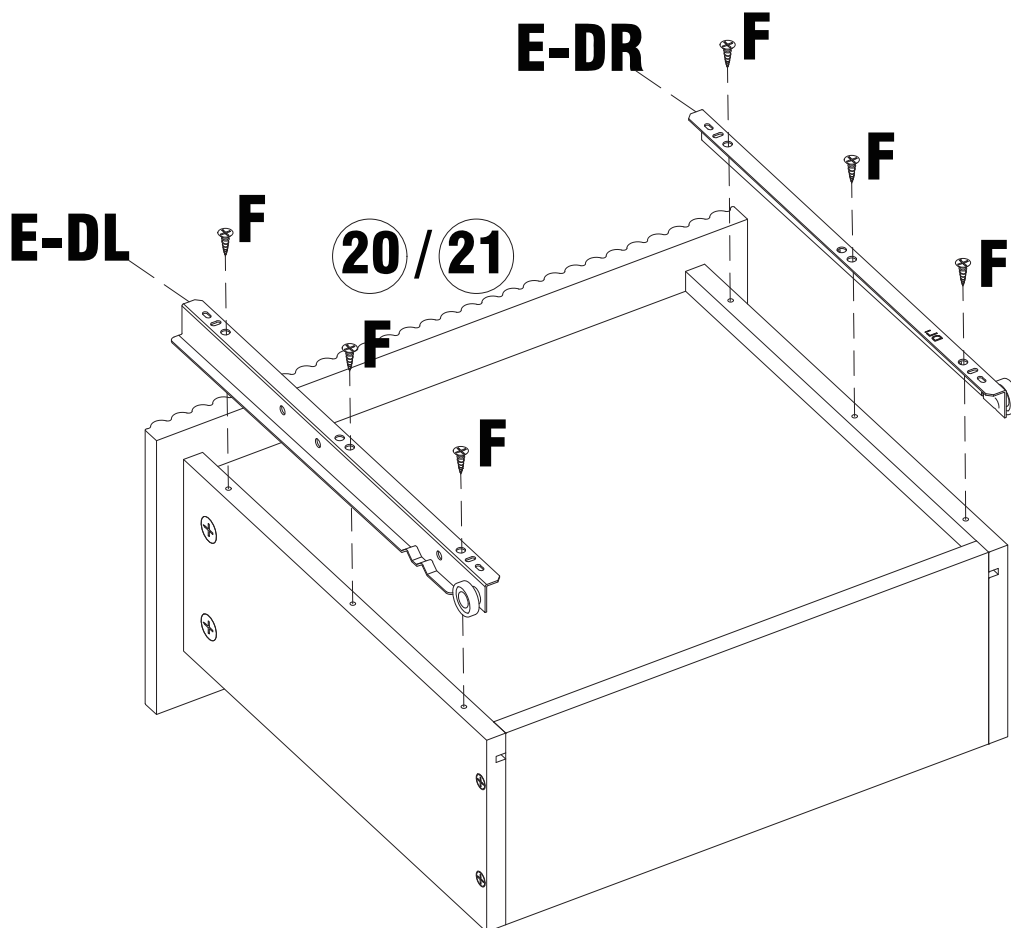
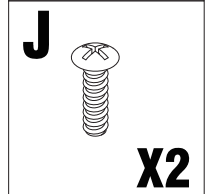
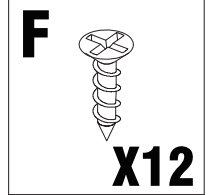
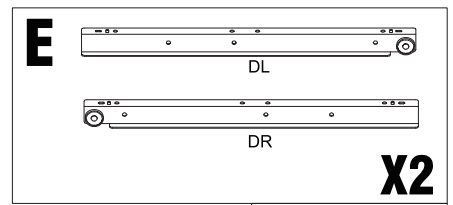
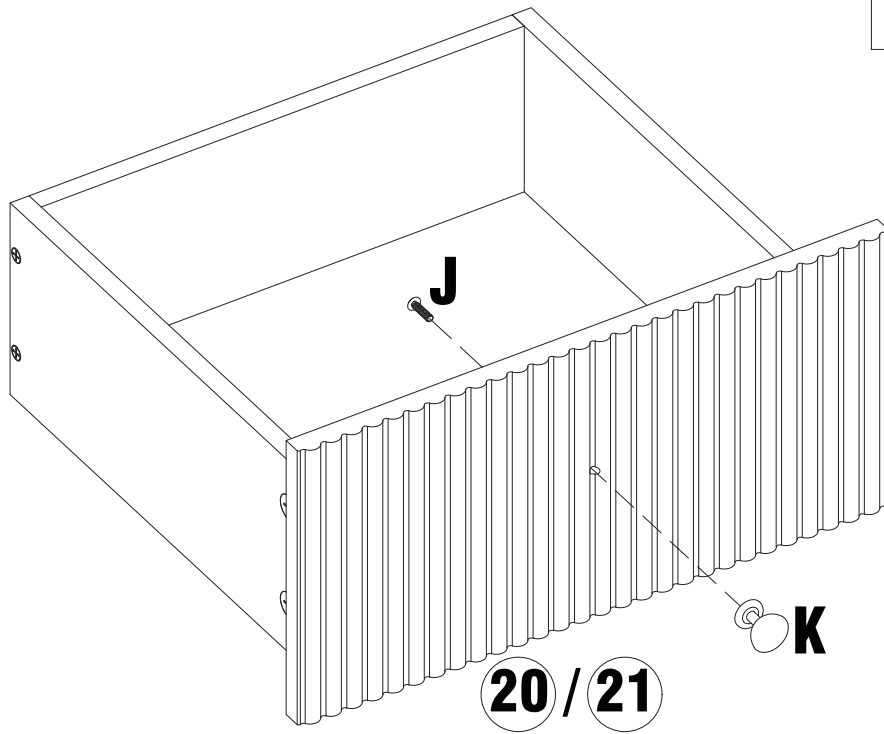
X2



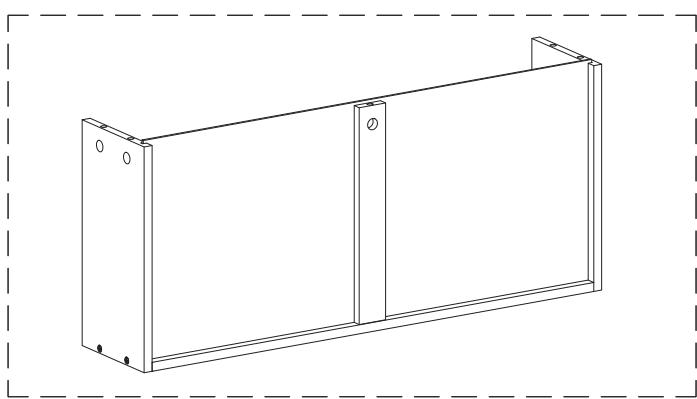
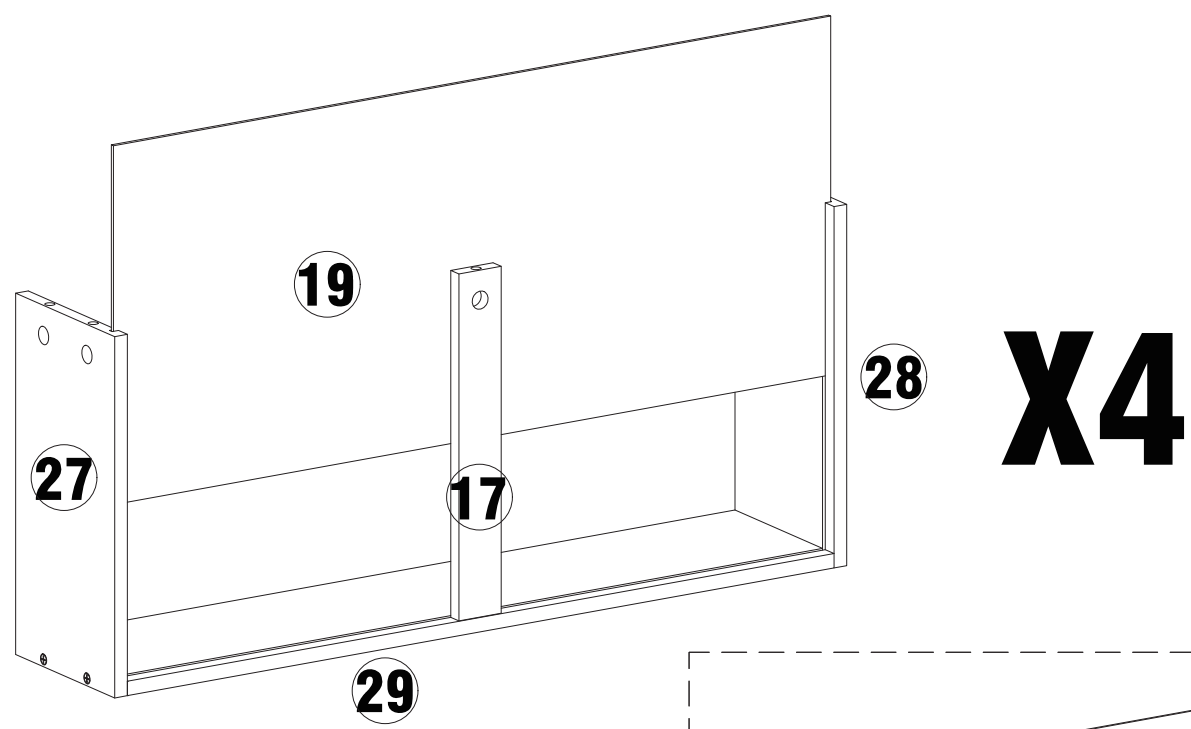
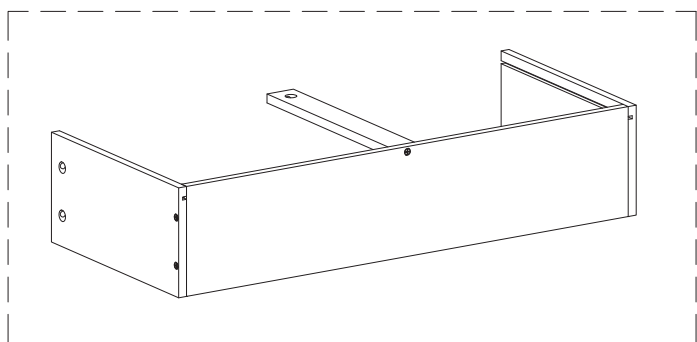
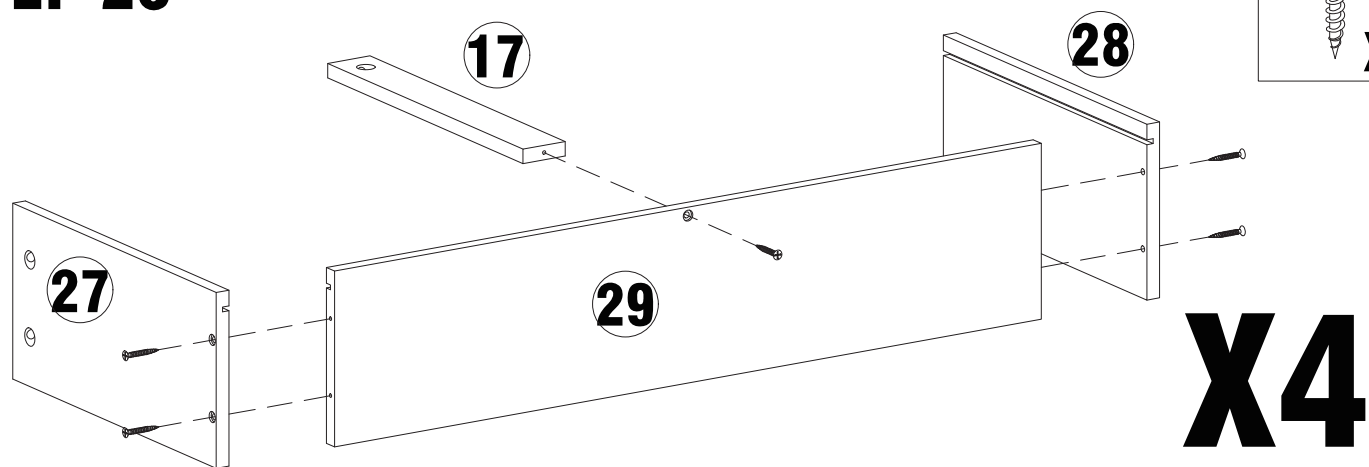
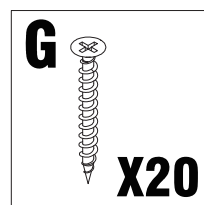
STEP 21



STEP 22

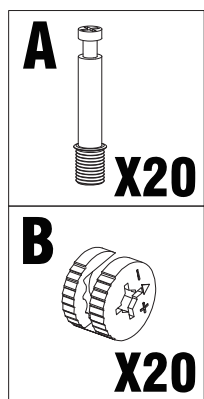
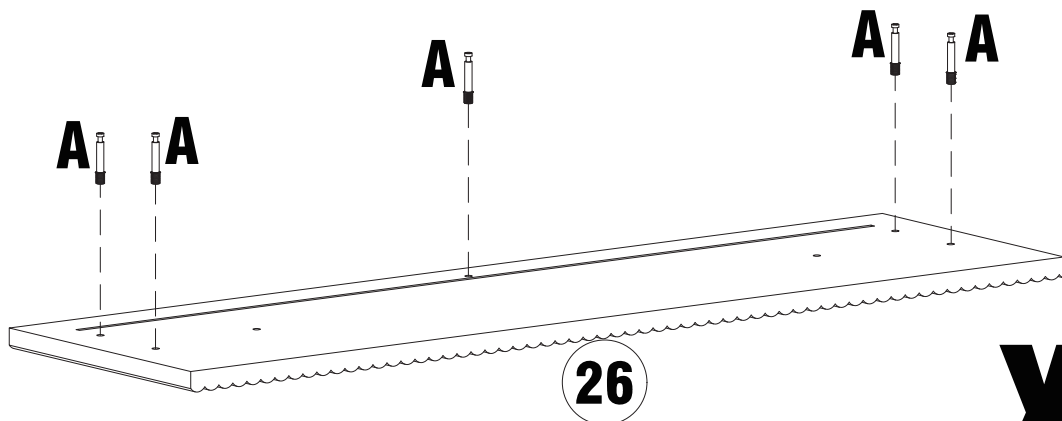


STEP 23

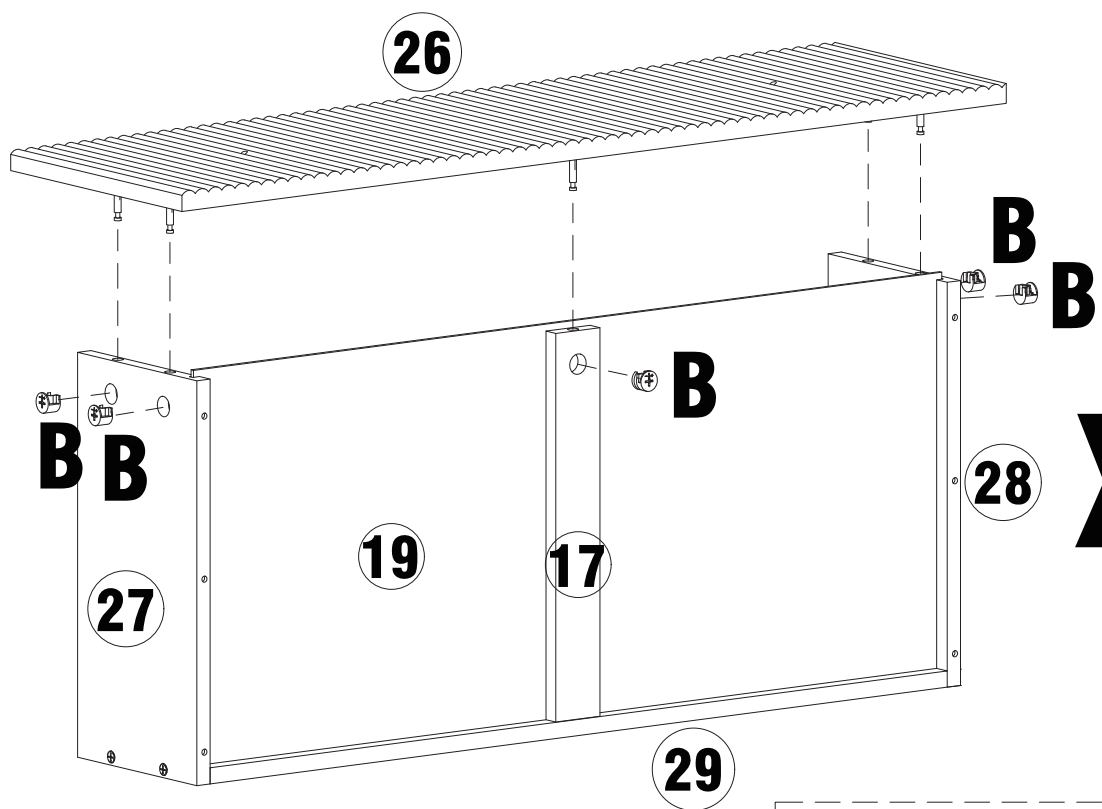


SUPPORT: +18882062161

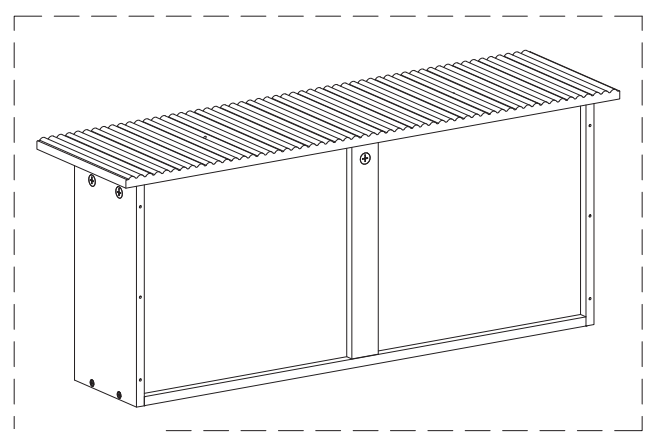
STEP 24



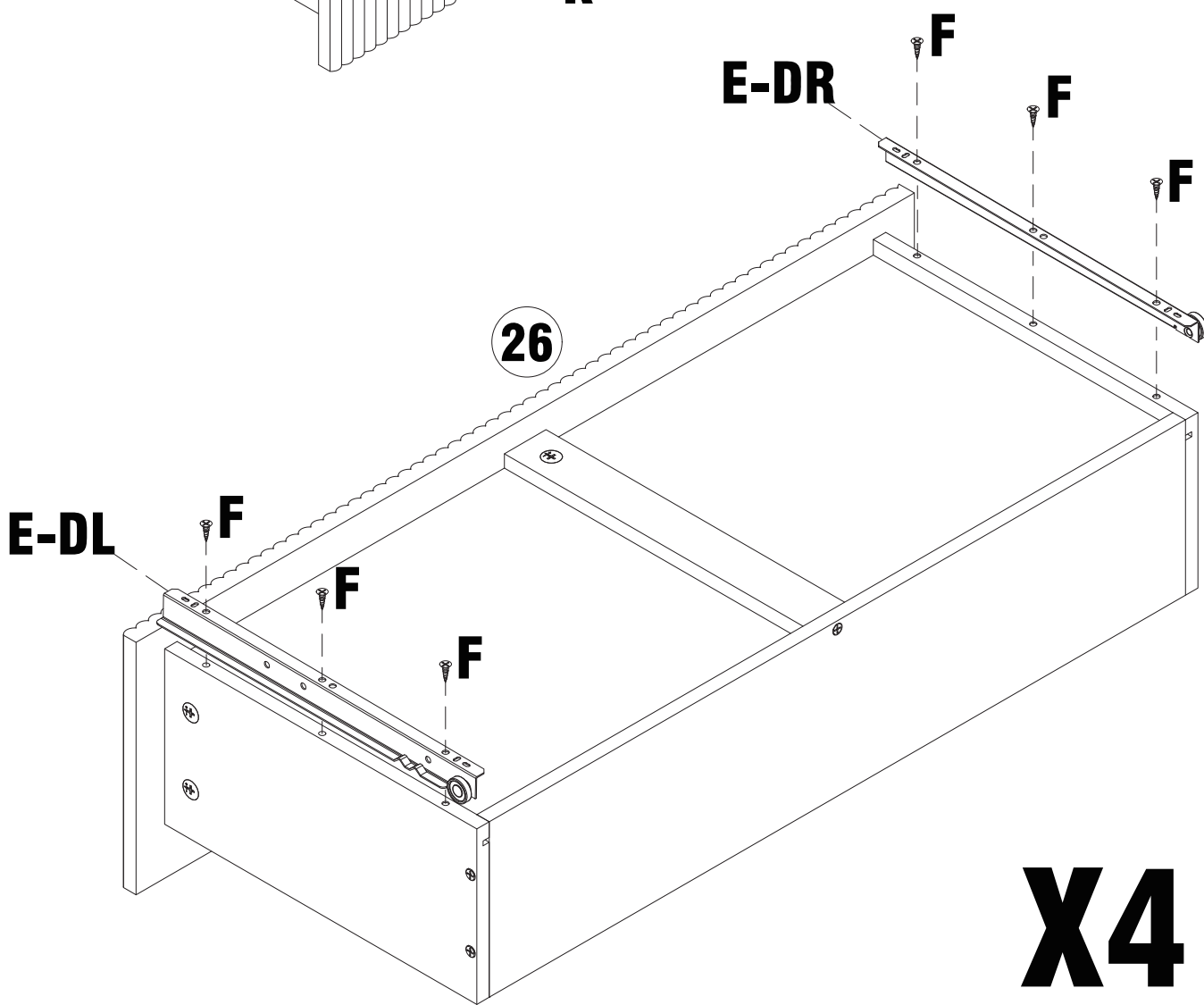
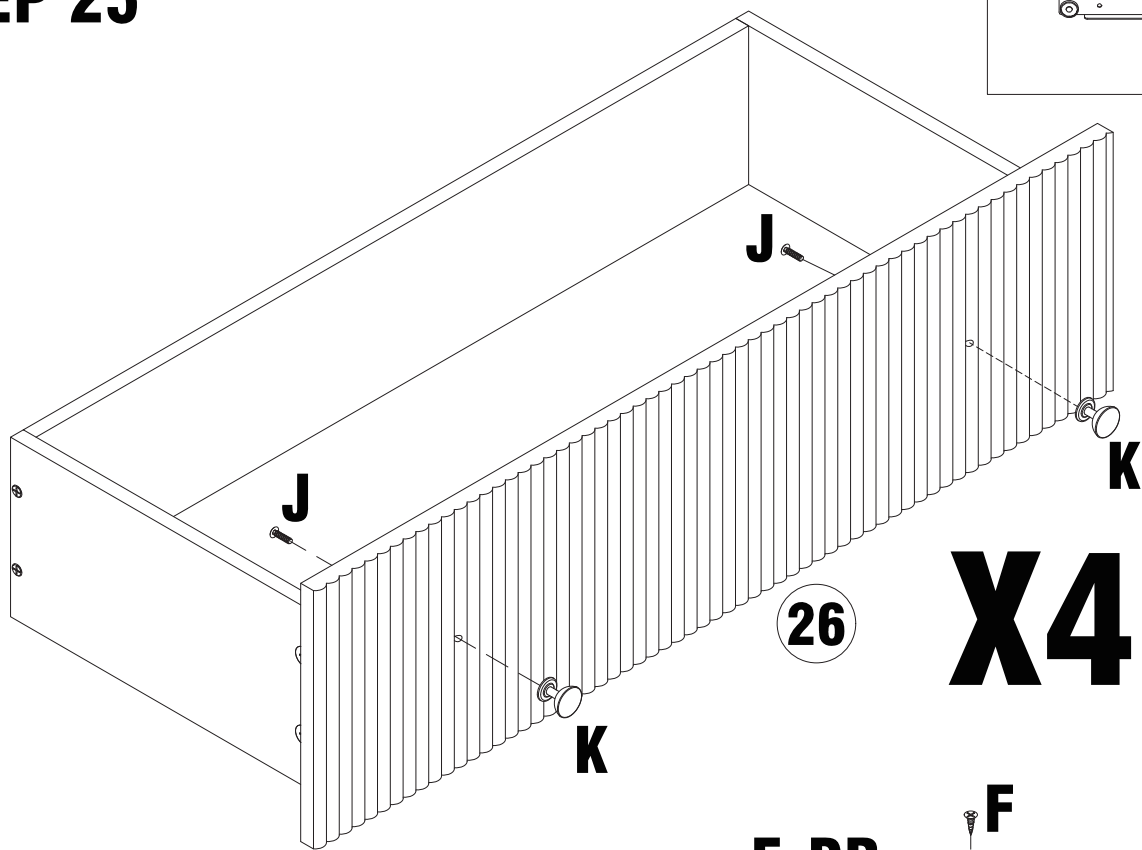
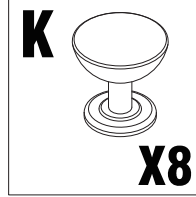
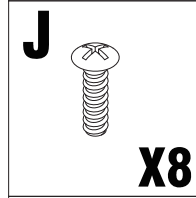
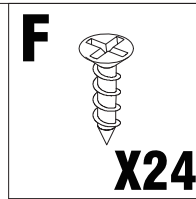
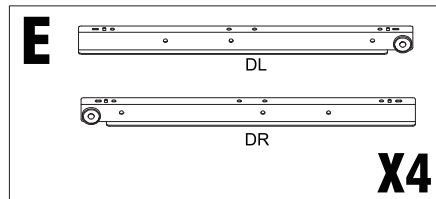
X4



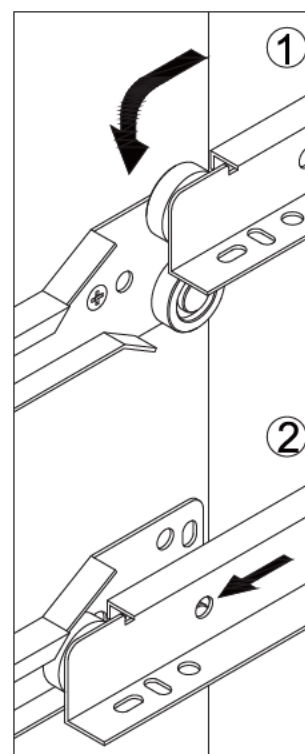
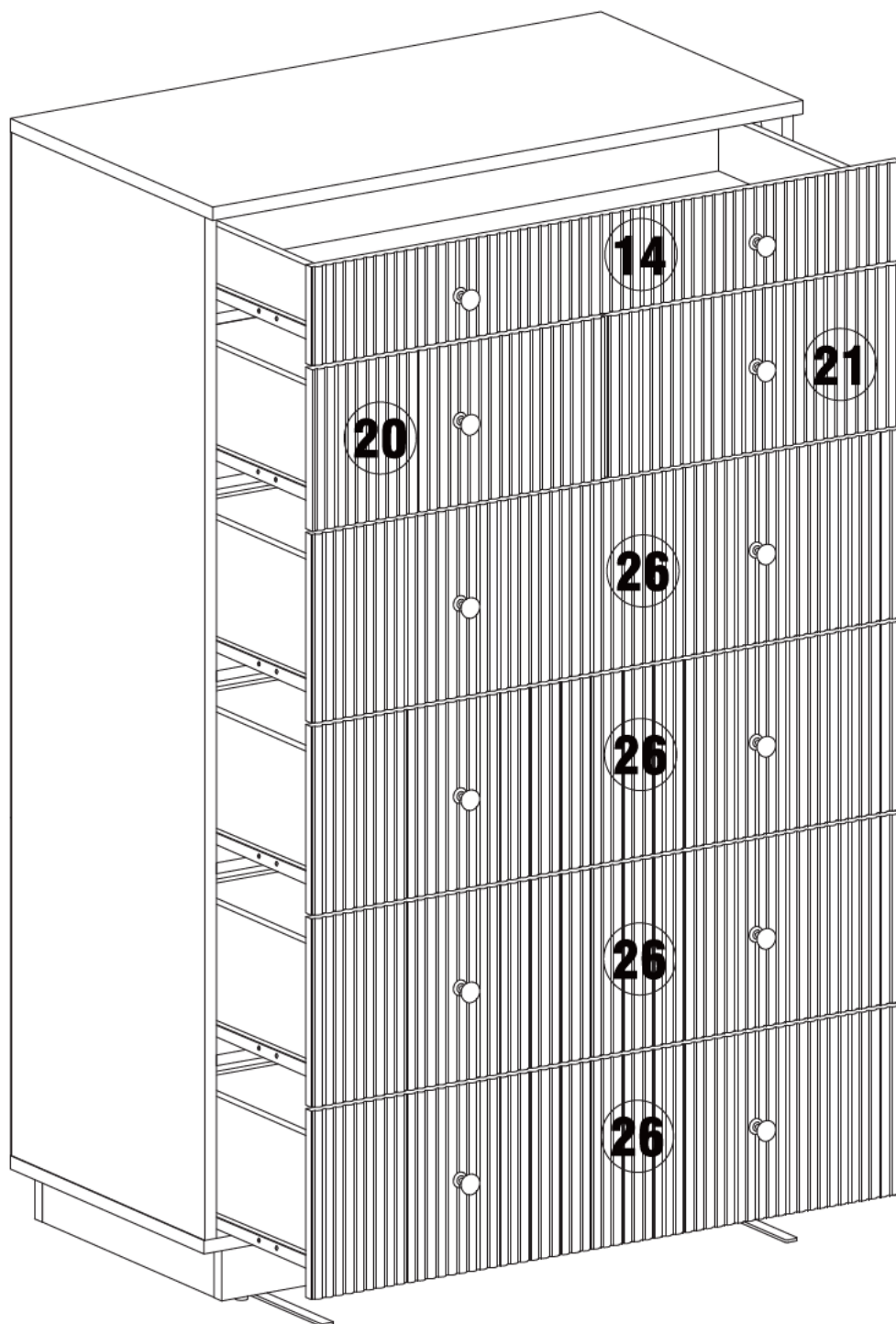
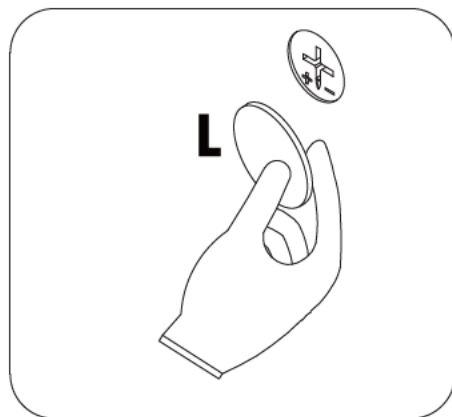
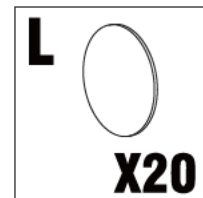
X4



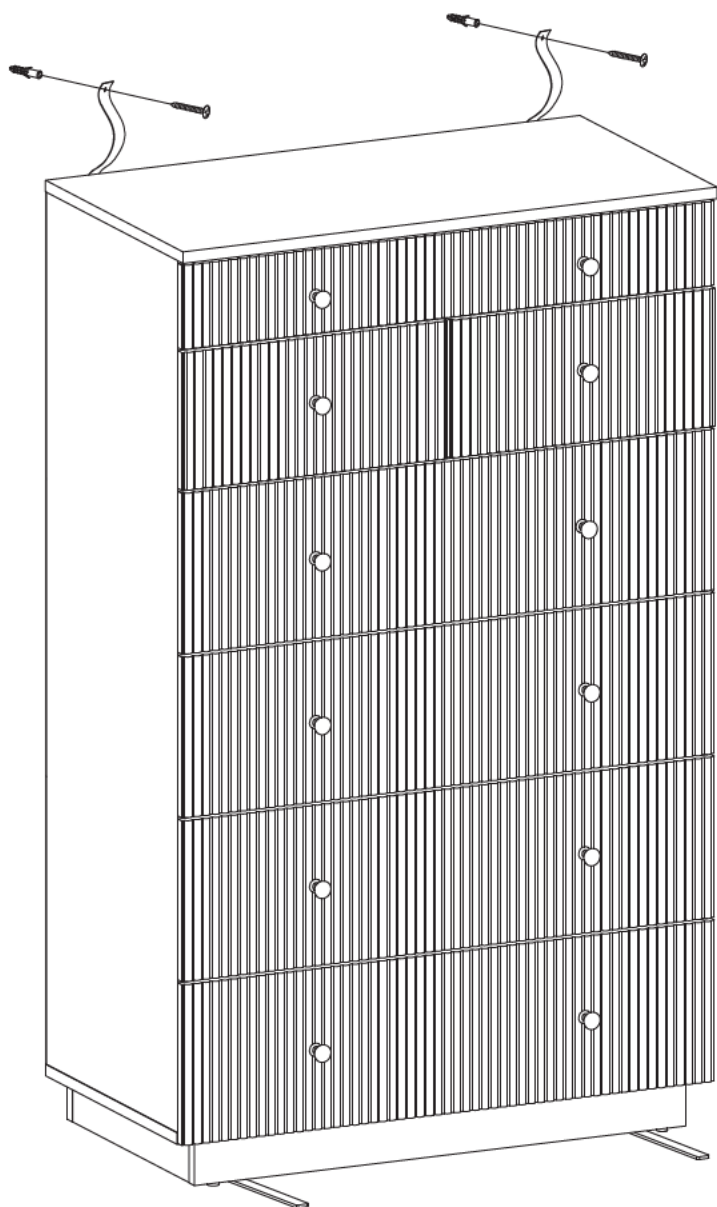
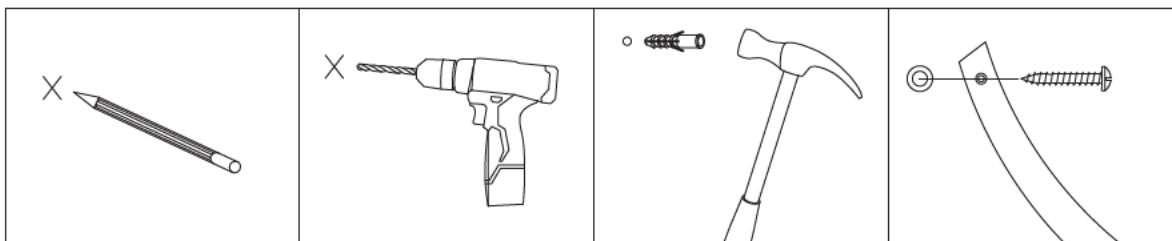
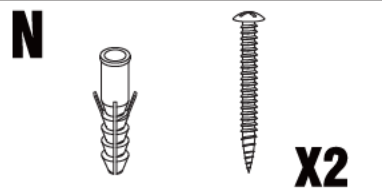
STEP 25



STEP 26



STEP 27



⚠ WARNING



Children have died from furniture tipover. To reduce the risk of furniture tipover:

- ALWAYS install anti-tip device provided.
- NEVER put a TV on this product.
- NEVER allow children to stand, climb or hang on any drawers, doors, or shelves.
- NEVER open more than one drawer at a time.
- Place heaviest items in the lowest drawers.

*this is a permanent label.
Do not remove!*