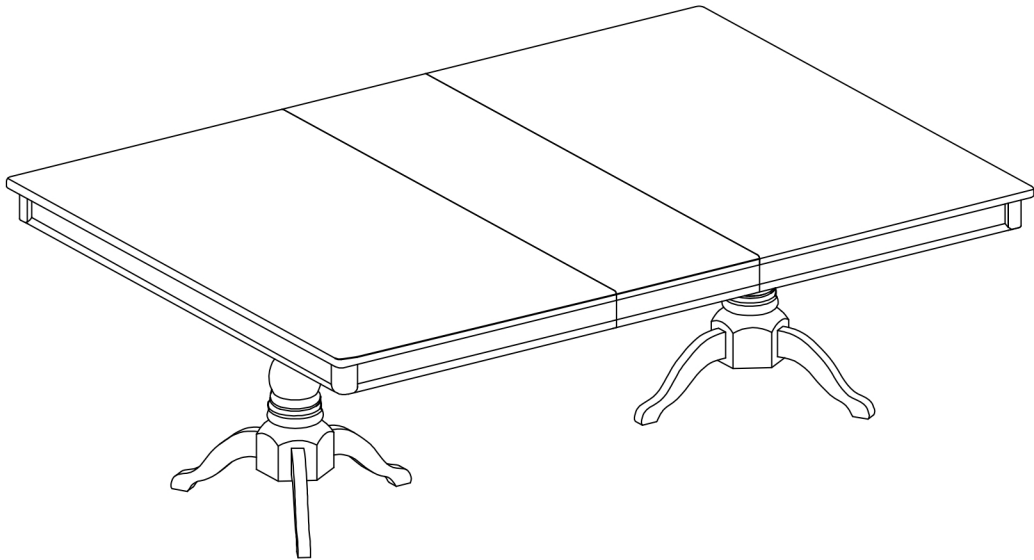



Assembly Instructions



ASSEMBLY RATING

The Assembly Rating is a 5-point system that shows the degree of effort needed in assembling a specific product (with 1 being easy and 5 being difficult). For some products, two persons are recommended.

EASY  DIFFICULT

Tools Required For Assembly:

Wrench

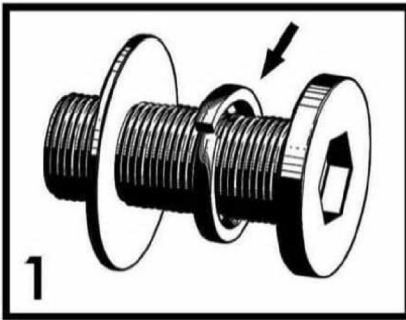


2 PERSONS RECOMMENDED

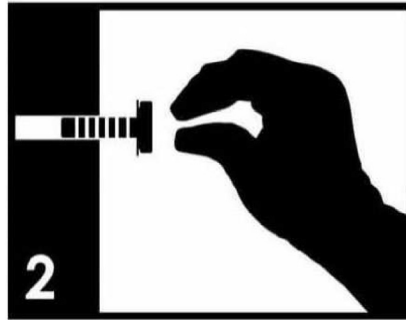
ASSEMBLY & CARE ADVICE

FOR YOUR FURNITURE TO LAST, CORRECT ASSEMBLY AND PROPER MAINTENANCE ARE NECESSARY. PLEASE FOLLOW THE INFORMATION PROVIDED BELOW TO FULLY ENJOY YOUR FURNITURE.

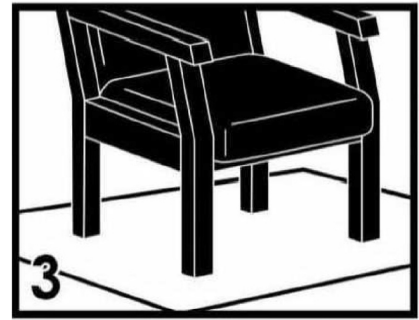
BASIC ASSEMBLY TECHNIQUES



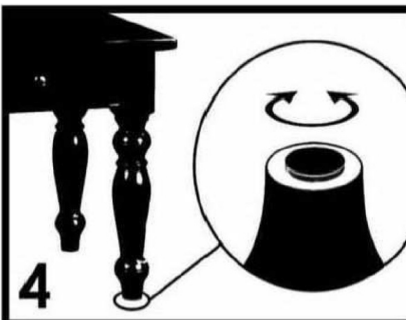
When lock or spring washer is used in an assembly, please make sure the lock or spring washer is placed between the larger flat washer and the head of the screw or bolt.



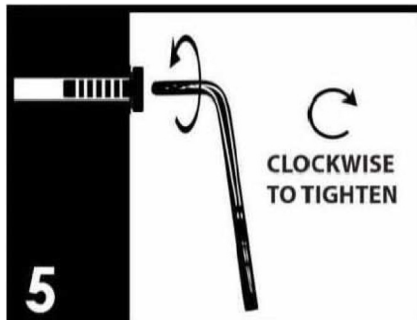
Position each part correctly and insert screws or bolts into their respective holes by hand tighten or using the proper hand tool. Only tighten when step is completed or when instructed to do so.



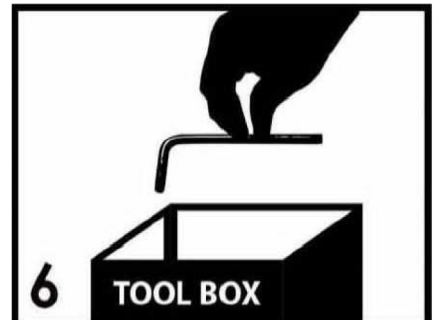
Use cardboard or carpet area when assembling furniture to prevent scratches. Make sure the furniture rests on a flat and level surface with each leg evenly touching the floor.



Some furniture comes with height adjustment knobs underneath each leg. To lower or to raise each leg, you need to turn clockwise or counterclockwise, respectively.



Make sure all parts are properly aligned, then use the appropriate hand tool to completely tighten the bolts or screws. Do not use power tools and do not overtighten.

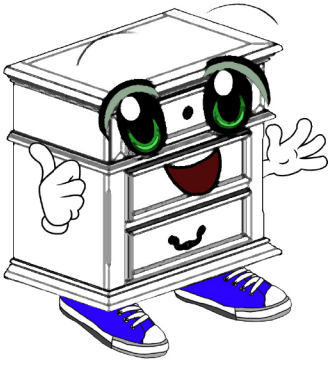


Save the instructions and store the Allen wrench or any supplied tool for later maintenance. After two weeks, check and tighten any loose hardware and repeat again every six months thereafter.

IT IS THE USER'S RESPONSIBILITY TO MAINTAIN THE FURNITURE. THE HARDWARE MAY LOOSEN OVER TIME AND MAY CAUSE THE FURNITURE TO BE WOBBLY AND UNABLE TO SUPPORT ITS INTENDED WEIGHT CAPACITY. THIS MAY LEAD TO COLLAPSE AND MAY CAUSE SERIOUS INJURY.



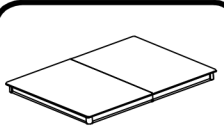
FAILURE TO FOLLOW THE GUIDELINES ABOVE MAY RESULT IN INJURY AND/OR PROPERTY DAMAGE.



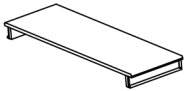
Before you begin, please read Page 2 of "Assembly and Care Advice".

And remember, do not tighten until each step is completed or instructed.

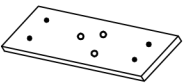
Parts List



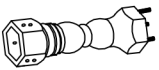
#1 x 1pc
Table Top



#2 x 1pc
Leaf



#3 x 1pc
Plate



#4 x 4pcs
Post



#5 x 4pcs
Leg

Hardware List



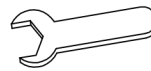
#A x 8pcs
Nut 5/16" X 1/2"



#Bx 16pcs
Lock Washer



#C x 16pcs
Flat Washer

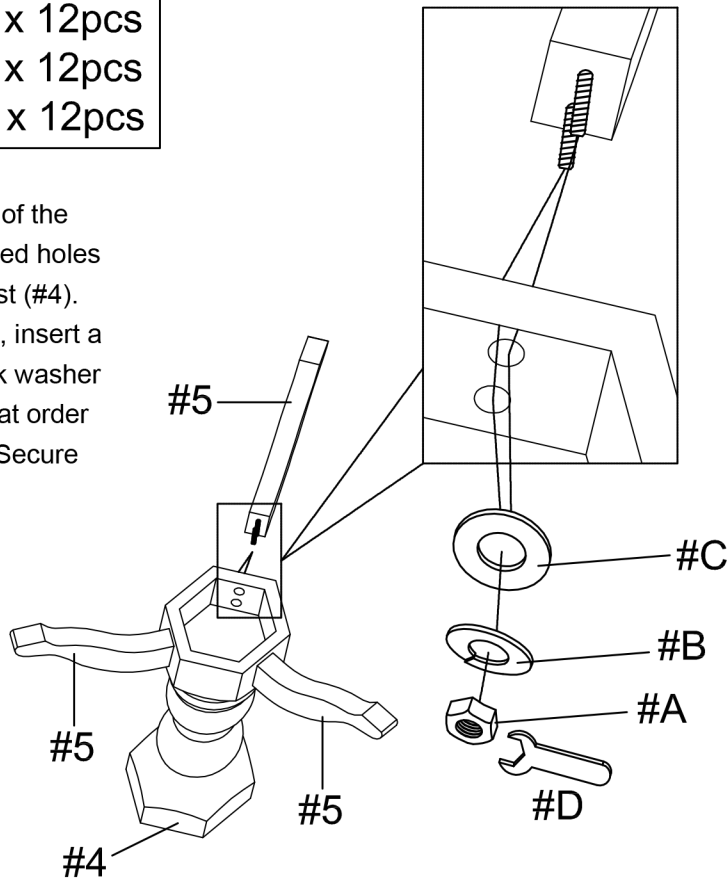


#D x 1pc
Wrench



#A x 12pcs
 #B x 12pcs
 #C x 12pcs

- I. Insert the threaded ends of the legs (#5) into the pre-drilled holes along the sides of the post (#4).
- II. From within the post (#4), insert a flat washer (#C) then lock washer (#B) and a nut (#A), in that order onto the threaded ends. Secure using the wrench (#D).

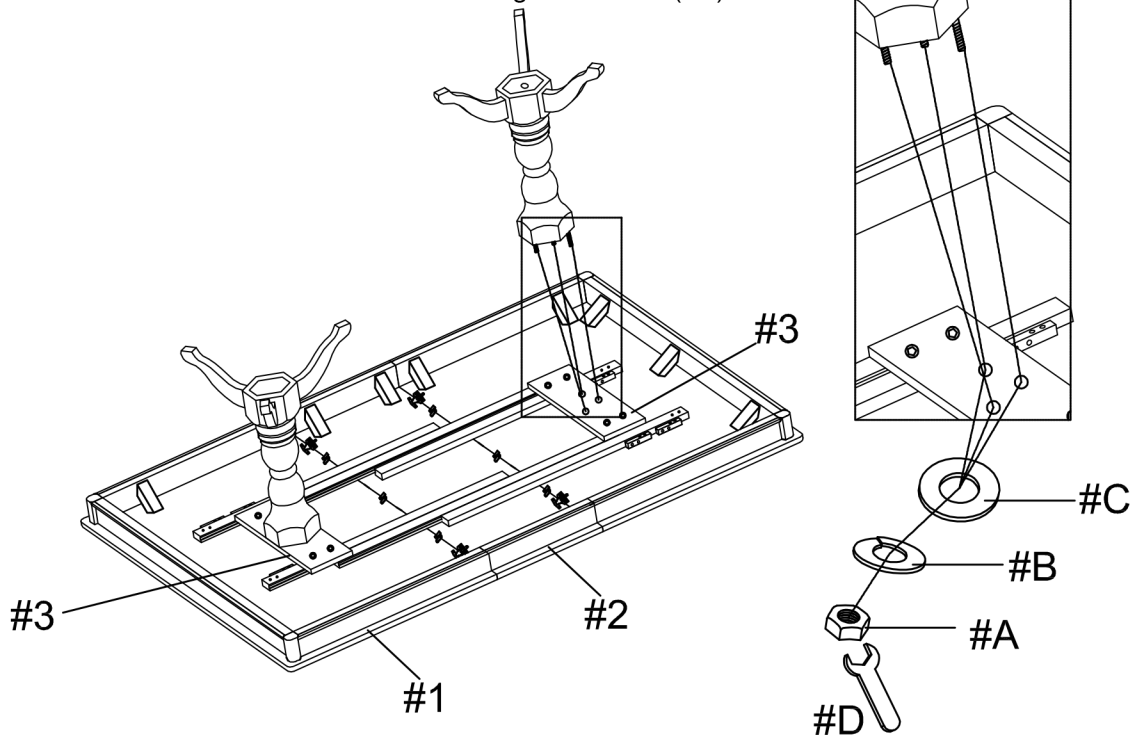


x 2



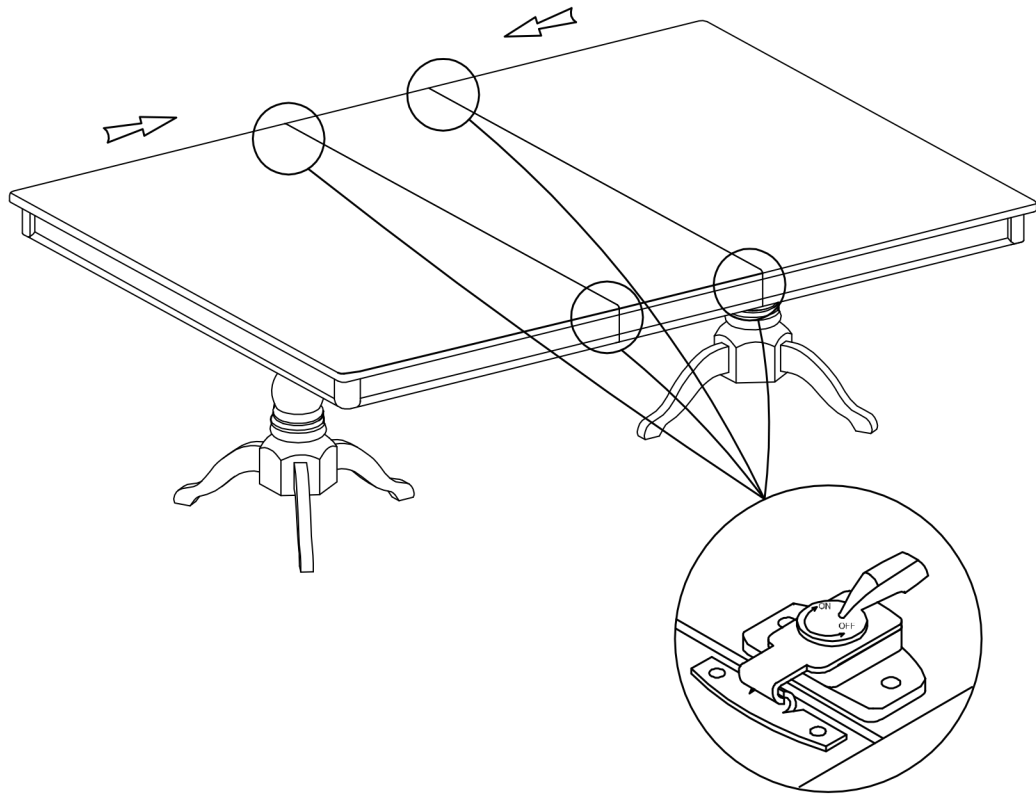
#A x 6pcs
 #B x 6pcs
 #C x 6pcs

- I. Carefully place the table top (#1) onto a protected surface.
- II. Insert the threaded ends of the posts into the center pre-drilled holes on the plates (#3).
- III. Once the posts are placed, insert a flat washer (#C), lock washer (#B), then a nut (#A), in that order from below onto the threaded ends. Secure using the wrench (#D).

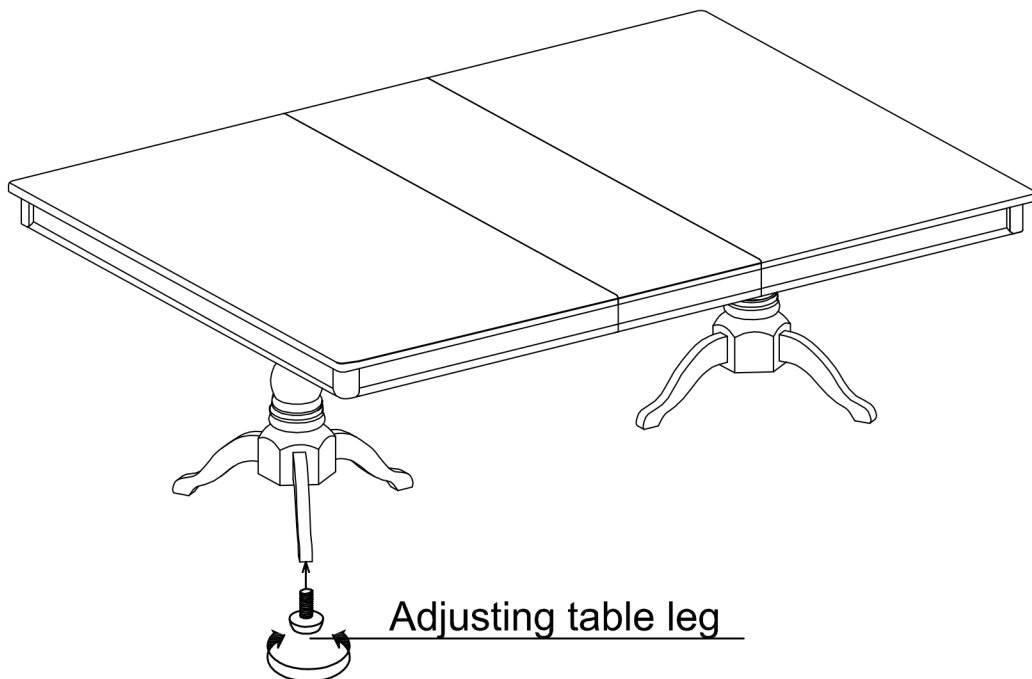




To insert or remove the leaf (#2), unlock/lock the latches from under the table top.



Carefully turn the completed table upright. Make sure the table is rested on a flat surface and does not feel loose or wobbly. If it does, double check that the bolts are secured and properly tightened.



ASSEMBLY IS COMPLETED