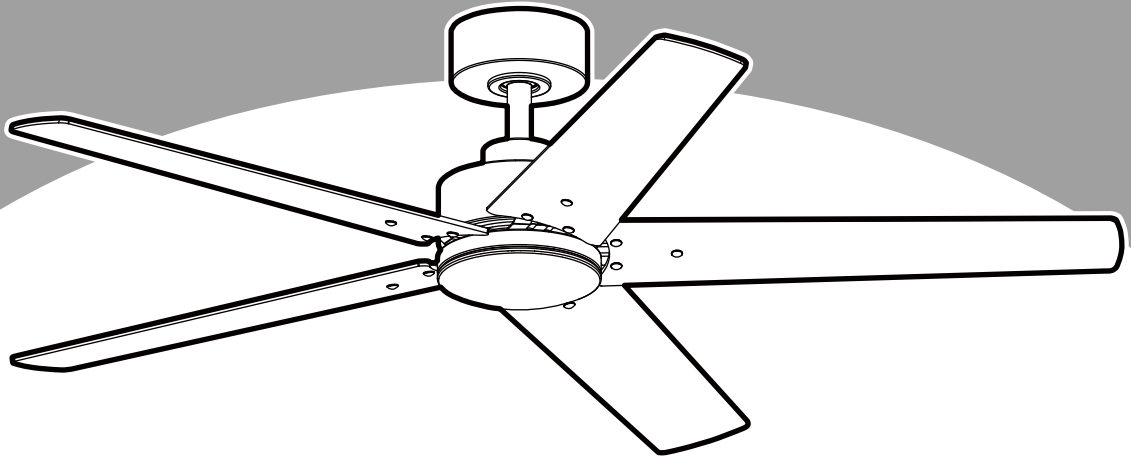


VIVOHOME

HOW-TO

USER MANUAL



52" Ceiling Fan with Light and Remote

Assembly is EASY!

**WE WANT
YOU TO
ENJOY LIFE
AT HOME**

GO TO THE PRODUCT LISTING PAGE FOR
AN INSTRUCTIONAL VIDEO!

CONTENTS

Safety Precautions.....	1
Pre-installation	3
Package Content.....	5
Installation Instructions	6
Remote Using	15
Troubleshooting Guide.....	17
Warranty	18

Safety Precautions



Before beginning the installation of your new ceiling fan, carefully read and follow these safety precautions. If you are not familiar with national and local electrical codes or basic electrical wiring procedures, we recommend hiring a qualified electrician to install your new ceiling fan.

Before you begin, **TURN OFF THE ELECTRICITY**. Identify the circuit that will power the fan, and either remove the fuse or turn off the circuit breaker at the main electrical panel.

Make sure all wiring complies with national and local electrical codes. If you are in question, obtain a copy of the codes and wire the fan accordingly. Never leave bare wires uncovered (wire connection), use wire nuts to cap all connections. Plastic electrical tape is not recommended.

When working with electricity, never take shortcuts. Always follow the electrical code thoroughly. The basic requirements for a ceiling fan with lights include 120 volts AC at 60 Hz, installed on a grounded circuit with a 15-amp breaker or fuse. Ensure that your electrical system and the selected installation location meet these requirements.

If the location where you plan to install your fan does not already have an electrical outlet, hire a licensed electrician to run the wiring and install an outlet box designed for ceiling fans or heavy fixtures. The outlet box must support a minimum dynamic weight of 50 pounds and be clearly marked as "Acceptable for Fan Support."

Note: Plastic outlet boxes are not recommended for ceiling fan installations.

Safety Precautions



Do not place any objects in the path of the fan blades to prevent damage or injury.

Before cleaning, turn off the power, wait for the fixture to cool completely, and wipe it with a clean, soft cloth.

After completing the electrical connections:

Spliced conductors should be turned upward and carefully pushed into the outlet box.

Arrange the wires with the grounded conductor and equipment-grounding conductor on one side of the outlet box and the ungrounded conductor on the opposite side.

Check that all setscrews are securely tightened. Retighten them if necessary to ensure safe and stable operation.

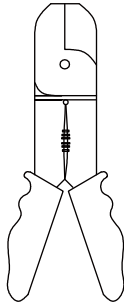


This manual is designed to provide clear instructions to help you easily install, operate, and maintain your ceiling fan.

Tools Needed for Assembly (Not Included).



Stepladder



Wire strippers
/cutters



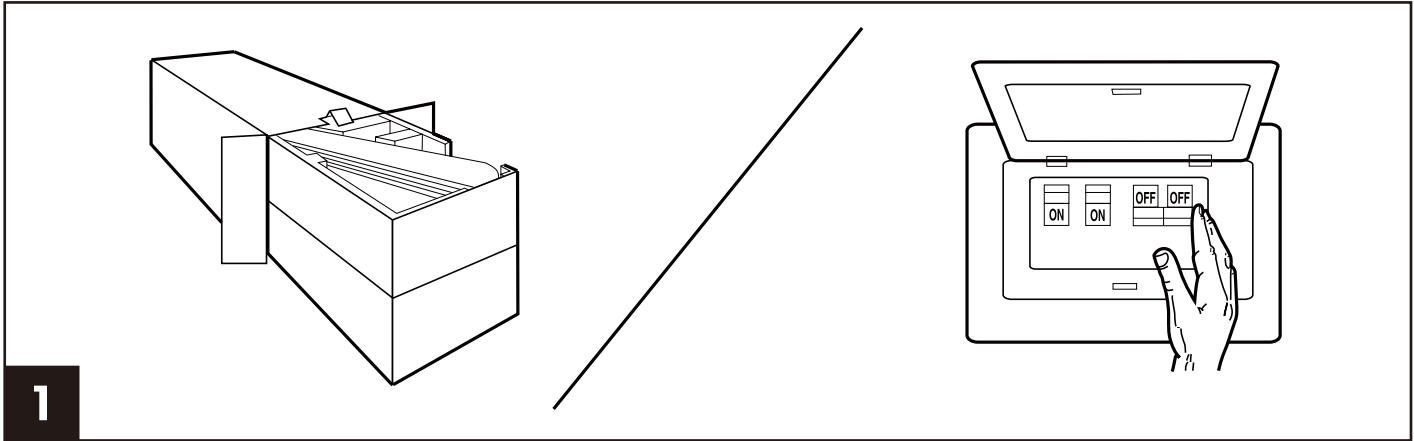
Screwdriver



One 1/4" blade
screwdriver

Note: A detailed installation video is available on the listing page for your reference. If you encounter any issues during installation, please contact us for assistance.

Pre-installation



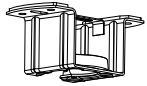
Unpack the carton and carefully inspect the ceiling fan to ensure all components are included. Keep the screws, washers, and other small items organized to prevent loss.

Turn off the power at the fuse box to prevent the risk of electrical shock.

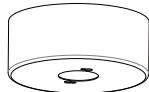
Package Content



Note: Before installation, please check the parts shown in the diagram for any missing or damaged items. If any parts are missing or damaged, please contact us, and we will send the appropriate replacements.



1 Mounting Bracket



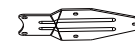
2 Canopy



3 Canopy Cover



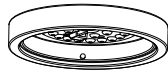
4 Yoke Cover



5 Blade Fork*5



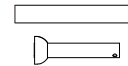
6 Motor Assembly



7 Light Kit



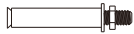
8 Lampshade



9 Downrod (5"10")



10 Blades*5



11 Expansion
Screw*2



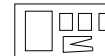
12 Wire
Nut*3



13 Washer*4



14 Lock
Washer*4



15 Balance Kit



16 Screw
Nut*16



17 Remote
Receiver



18 Wood
Screw*4



19 Machine Screw*2
(Suitable for junction box)



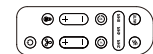
20 Machine Screw*2
(Suitable for junction box)



21 Motor
Screw*11

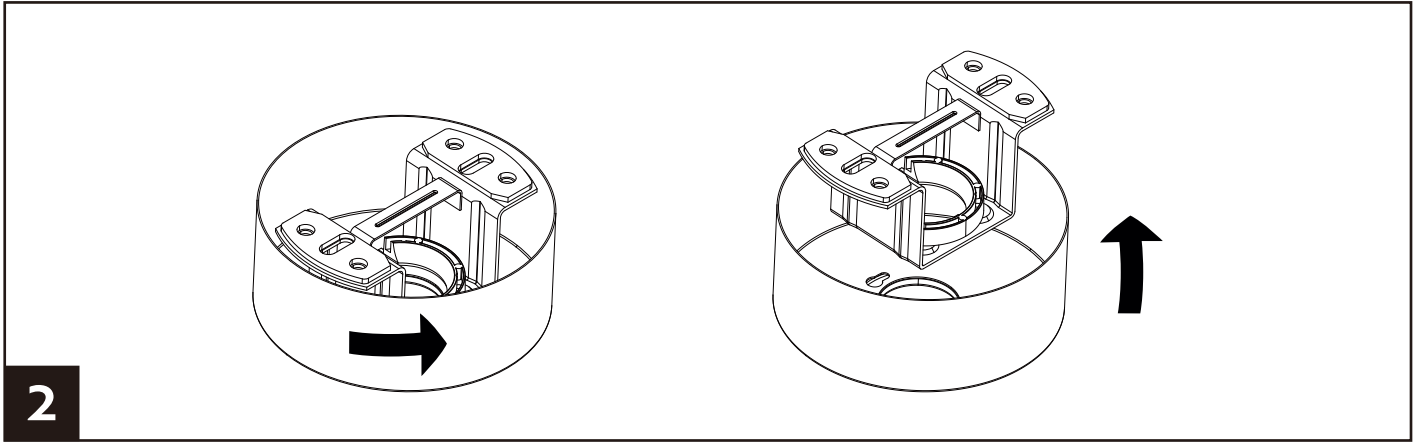


22 Blade Screw*16



23 Remote Control
(Batteries
not included)

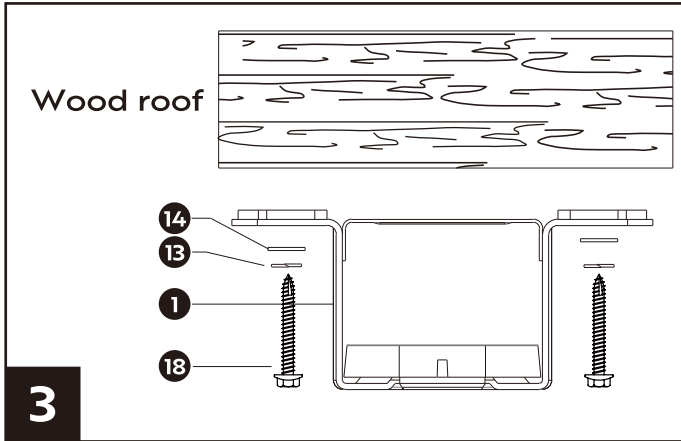
Installation Instructions

**2**

Step 1:

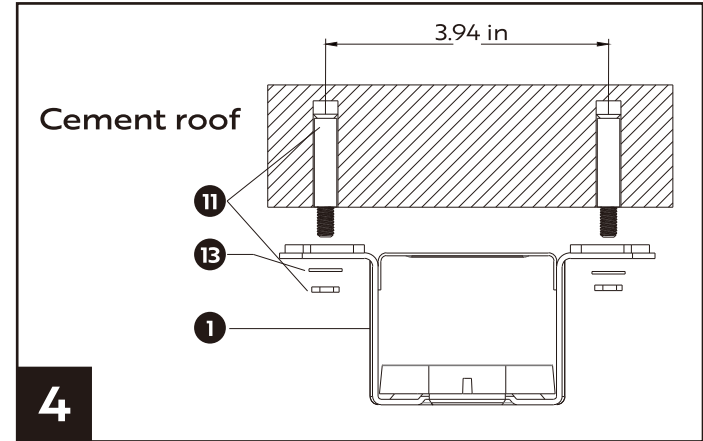
-Loosen but don't remove the screws at the bottom of the canopy **2**, remove the mounting bracket **1** from the canopy **2**.

Installation Instructions



Step 2: (For wood ceilings)

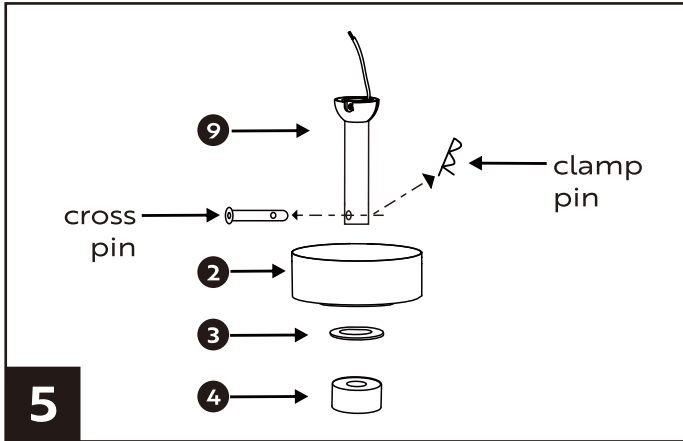
-Drill four holes and securely attach the mounting brackets **1** to the ceiling using the lock washer **14**, Washers **13** and wood screws **18**.



Step 2: (For cement ceilings)

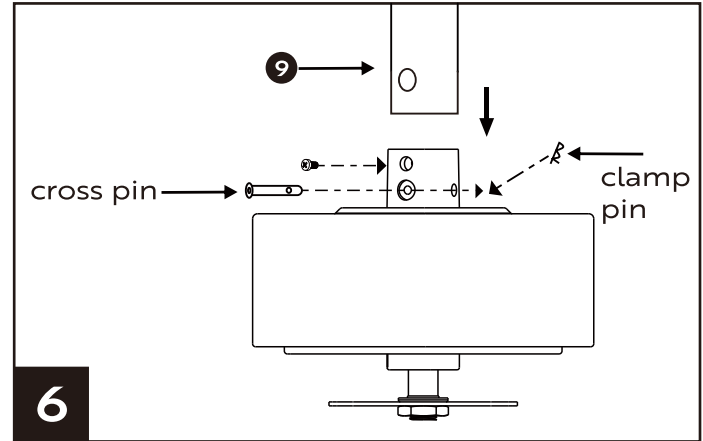
-Drill two 8 mm holes approximately 100 mm apart using an impact drill.
 -Insert the expansion screw **11** into the holes, remove the washer **13** and nut **11**.
 -Attach the mounting bracket **1**, replace the washer, and tighten the nut with a wrench.

Installation Instructions



Step 3:

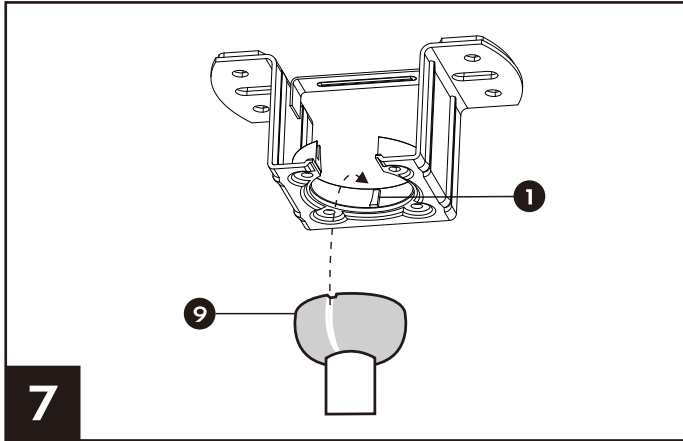
Loosen, but do not remove, the cross pin and clamp pin on the downrod **9**. Pass the downrod **9** through the canopy **2**, canopy cover **3**, and yoke cover **4**. Insert a bolt through the hole in the downrod **9** to secure it.



Step 4:

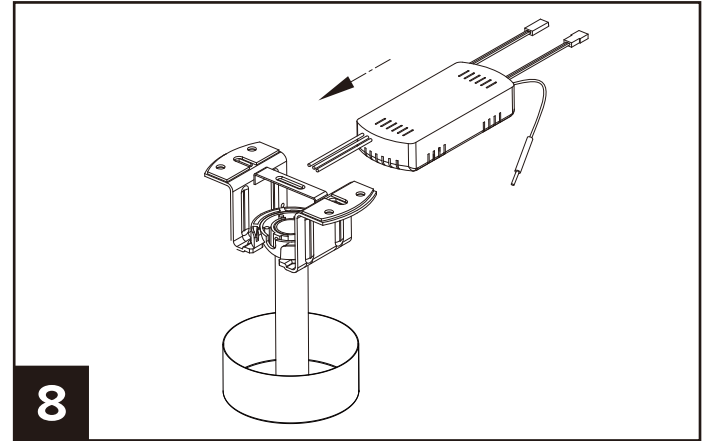
Ensure the hole in the downrod **9** aligns with the coupling. Install the cross pin through the coupling and downrod **9**. Insert the clamp pin into the cross pin until it snaps into place. Tighten the set screws in the coupling. Slide the coupling cover **9** over the downrod coupling.

Installation Instructions



Step 5:

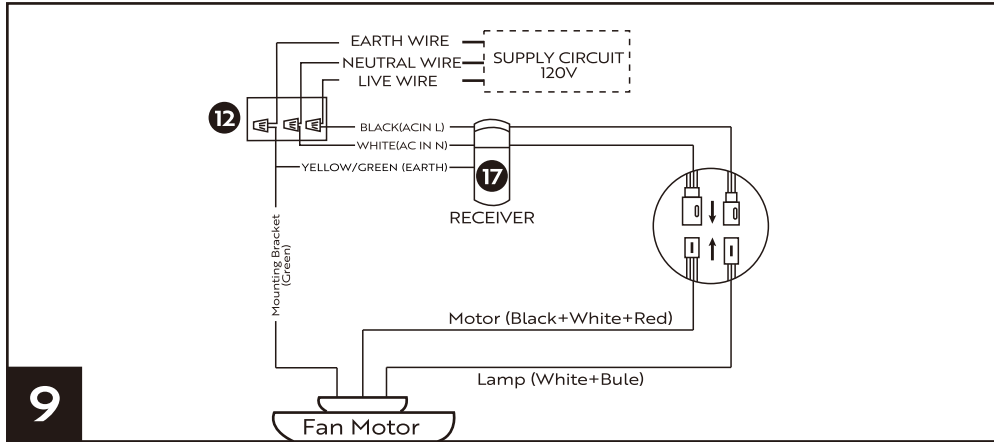
Carefully lift the fan assembly onto the mounting bracket. Rotate the fan until the notch on the downrod **9** engages the ridge on the mounting bracket **1**.



Step 6:

Slide the remote receiver **17** into the space above the downrod ball as shown.

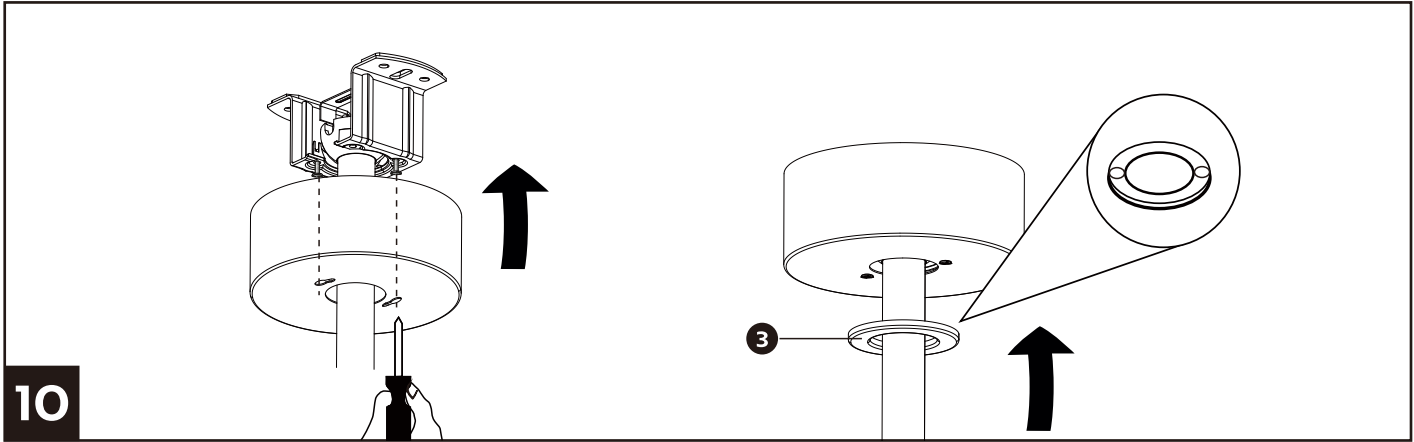
Installation Instructions



Step 7:

Make wiring connections **12** from the house and the motor to the remote receiver **17** as shown above.

Installation Instructions



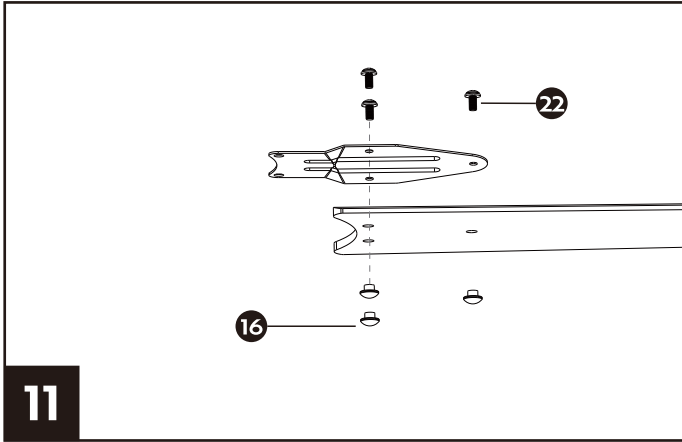
Step 8:

Loosen the two screws on the bottom. Raise the canopy **2** and align the keyholes on the bottom of the canopy with the screws on the bottom of the mounting bracket **1**. Rotate the canopy until the screws drop into the slot recesses.

Step 9:

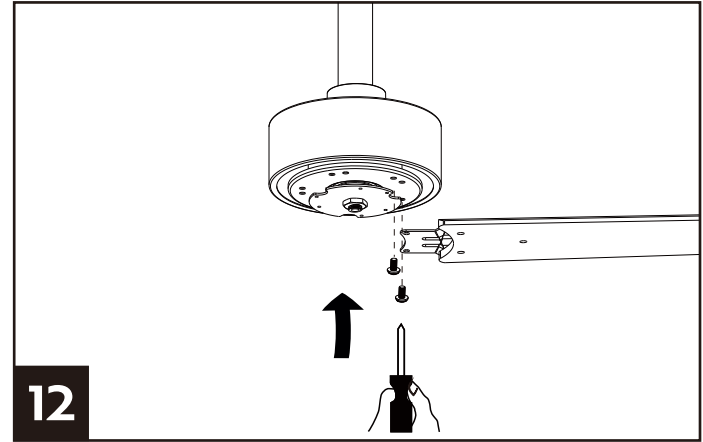
Slide the canopy cover **3** up until it successfully attaches to the canopy.

Installation Instructions


11

Step 10:

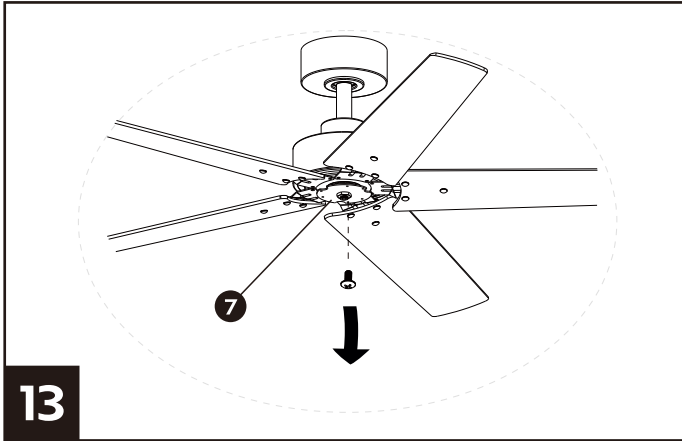
Attach the blade **10** onto the blade arm **5**, and secure with blade screws **22** and screw nut **16** provided.


12

Step 11:

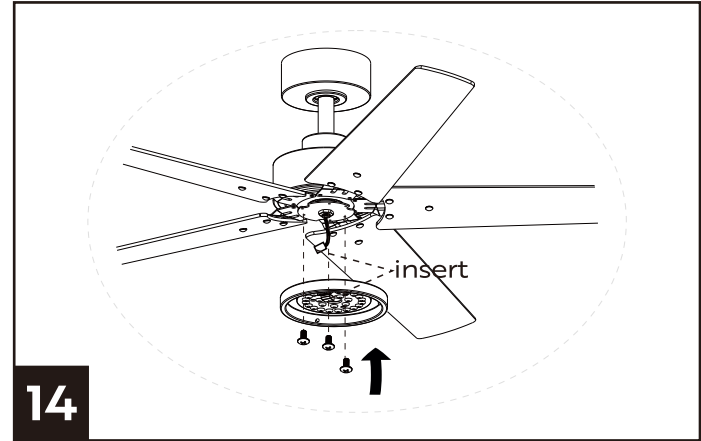
Remove the motor screws first. Attach the blade arm **5** to the motor **6**, and secure it with motor screws **21**.

Installation Instructions



Step 12:

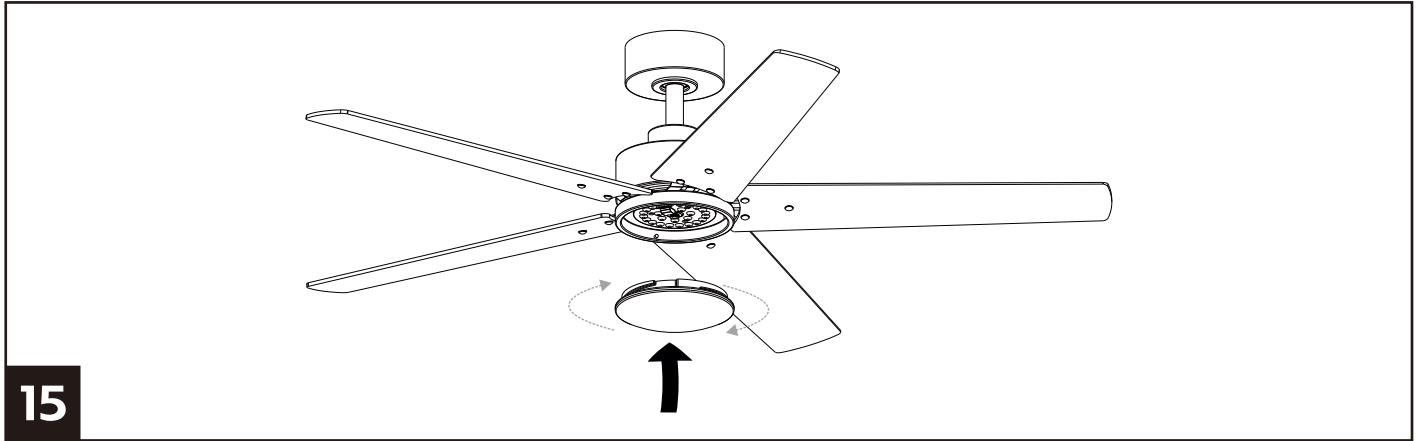
Remove the 3 screws from the light kit **7** plate and keep them for next step.



Step 13:

Find the wire plugs from the light kit **7** and the motor and slide them together, lock the screws loosened on the motor assembly **6**.

Installation Instructions



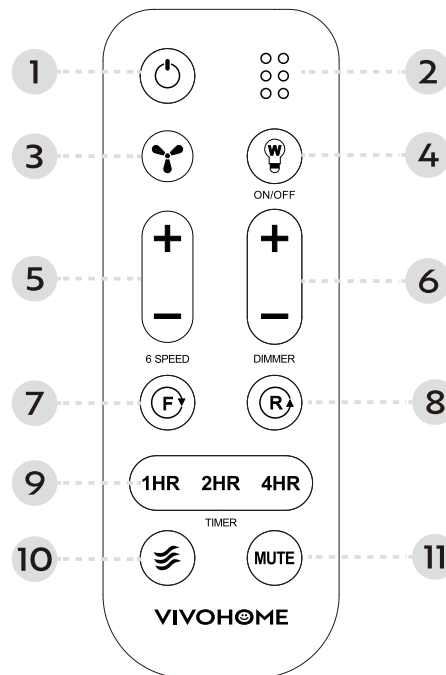
Step 14:

Place the lampshade **8** onto the fan's lamp plate with the opening facing upward, then rotate it clockwise to secure it in place.




FUNCTION INSTRUCTION OF EMITTER

- (1) ----- All OFF
- (2) ----- Speed Display
- (3) ----- Fan ON/OFF
- (4) ----- Light ON/OFF (Matching Code)
- (5) ----- Speed Control
- (6) ----- Dimmer Control
(Long press unlimited leveling)
- (7) ----- Fan Forward
- (8) ----- Fan Reverse
- (9) ----- Timer (1H/2H/4H)
(Pressing any key after selecting the timer will cancel it)
- (10) ----- Natural Wind
- (11) ----- Mute



Remote Using



- Learning code and matching mode are used between the emitter and the receiver.
- Open the battery cover on the hand-held remote and install a pair of AAA batteries (1.5V, not included).
- If the emitter does not control the fan, use the learning code matching mode to pair the emitter with the receiver.
- To pair: Turn the power ON within 10 seconds and press the emitter's "  " button for 5 seconds. After hearing a short "beep," the pairing is successful, and the system will function normally.
- If the emitter still cannot control the receiver, check the battery to ensure it is correctly installed (positive and negative ends in the correct position) and fully charged.
- If the emitter cannot control the receiver, check for nearby devices that may use a similar remote frequency. Other devices operating on the same frequency could interfere with the remote control.

Troubleshooting Guide



(1) Fan Will Not Start:

- Check circuit fuses or breakers.
- Check all electrical connections to ensure proper contact.

CAUTION: Ensure the main power is OFF when checking any electrical connections.

(2) Fan Makes Noises:

- Ensure all motor housing and fan blade bracket screws are tight.
- Check wire nut connections to ensure they are not rubbing against each other or the switch housing.

CAUTION: Turn off the main power before checking.

- Allow 24 hours for the fan to "break in" ; most noise will subside.
- If using a light kit, tighten glassware screws and ensure bulbs don't touch other components.

(3) Fan Wobbles:

- Ensure all blade and blade arm screws are tight.
- Measure blade levels by selecting a fixed ceiling point above a blade tip and checking the distance. Repeat for all blades; deviations should not exceed 1/8 inch.
- If wobbling persists, use the provided Blade Balancing Kit.
- As a final step, try swapping two adjacent blades to redistribute weight and improve balance.



The VIVOHOME warranty program is our commitment to you. We are committed to providing you with a high-quality product that meets your needs and expectations. To demonstrate our confidence in the durability and performance of our products, we offer the following warranty.

WARRANTY COVERAGE

This warranty applies to all orders, purchases, or use of products sold only by VIVOHOME and is valid for 1 year from the purchase date. Please note, this warranty only covers the original order. If a replacement is provided within the warranty period, it does not extend the warranty.



WARRANTY EXCLUSIONS

This warranty does not cover damages caused by misuse, accidents, unauthorized modifications, or any factors unrelated to product manufacturing and design, including but not limited to:

- Loss of parts during use.
- Normal wear and tear of products or parts.
- Incorrect installation (e.g., using the wrong voltage) or improper assembly.
- Overloading the product's bearing capacity.
- Usage in extremely harsh conditions.
- Improper cleaning or lack of maintenance.
- Damage resulting from unintended use of the product.
- Damage resulting from unauthorized modifications or service.
- Indirect losses or damages related to the product.



HOW TO MAKE A WARRANTY CLAIM

If you encounter any defects affecting the product's functionality or if the product fails and cannot be repaired during the warranty period, please reach out to our customer service team via email, Amazon, or our app's messaging service at your earliest convenience. To expedite your claim, kindly include:

- Order number
- Photos and/or videos illustrating the issue
- A detailed description of the problem

VIVOHOME will provide technical support, replacement, refund, or other solutions based on the issue's specifics. If you wish to return the original package for any reason, please contact us for confirmation before initiating the return. You can expect a response within 48 hours.

Thank you for choosing VIVOHOME. We are dedicated to ensuring your satisfaction and the quality of your purchase. If you have any questions or need further assistance, please don't hesitate to reach out to our customer service team.

VIVOHOME

**THANK
YOU!**

NOTE:

To continuously improve its products, VIVOHOME reserves the right to modify this information without prior notification.

For any questions regarding assembly, please watch the video on the product page or contact our customer service. Our customer service will gladly assist you with any additional questions, comments, or concerns.

Thank you for using VIVOHOME products in your home!

Thank You for Purchasing from

VIVOHOME

Made in China