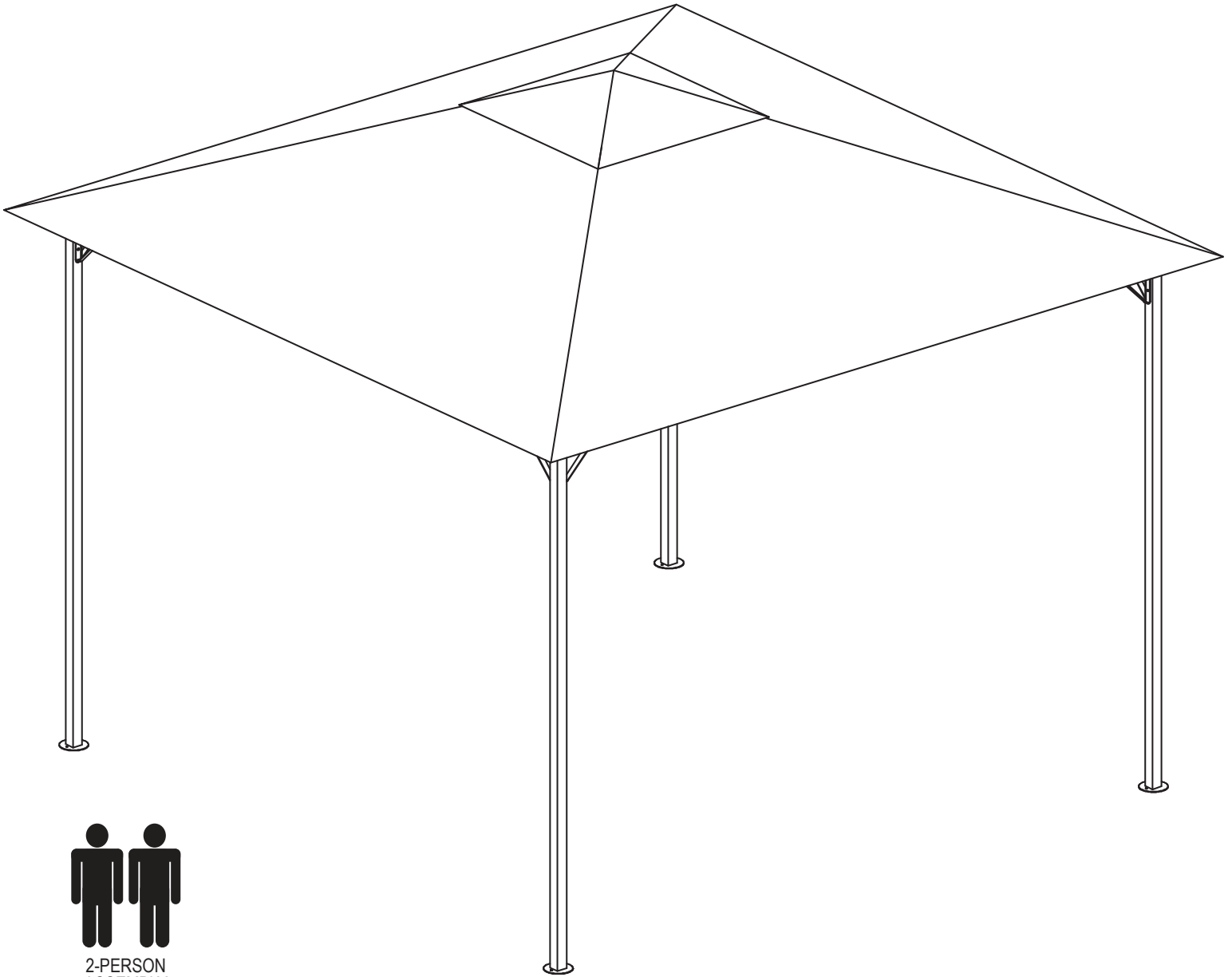


Purchase Date: ___ / ___ / ___ Order/Customer Reference Number: _____

Thank you for choosing us. We stand behind our brand and the quality of the items we sell. Replacement parts or products will be sent at our discretion within the 1-year warranty period. Proof of purchase, with the date of purchase as well as photos of the merchandise defect, must be provided. Photos are used to determine the cause of defects and for future quality control.

10' X 10' SOFT-TOP GAZEBO



! HELPFUL HINT

We advise reading this manual fully, and assembling the gazebo soon after purchase. Check that all parts are accounted for and familiarize yourself with the assembly before beginning.

Save this manual for future reference.



IMPORTANT SAFETY INFORMATION



GENERAL SAFETY WARNINGS

Please read, understand and follow all safety statements, warnings, assembly instructions, use & care directions before assembling and using the Gazebo. Failure to follow instructions may result in personal injury or property damage.

The warnings, cautions, and instructions in this manual do not cover all possible conditions or situations that could occur. Use sound judgment and caution when using this canopy. Always be aware of the environment and ensure that the canopy is used in a safe and responsible manner.

- **ADULT ASSEMBLY ONLY!** Before assembling the gazebo, check that the gazebo parts are not damaged. If damage is found, contact Customer Service. Failure to comply with these guidelines will/can lead to further damage, possible personal injury or property damage.
- Assemble the gazebo on a flat, level surface. Uneven surfaces may cause damage to the frame.
- Ensure that all connectors & poles are positioned correctly and firmly secured before each use.
- **DO NOT** use during inclement weather. This gazebo is for decorative and sunshade purposes only and should *never* be used as shelter or protection for harsh weather conditions.
- **DO NOT** climb on top of the gazebo.
- **DO NOT** leave the gazebo fully assembled when there is a risk of high winds, snow, or heavy rain. Carefully remove the fabric components, fold and secure them in a safe place out of the elements.
- **WARNING:** Keep flame and heat sources away from the gazebo fabric. Exposure to sources of heat may burn the fabric.
- **NEVER** use an open flame under or near the gazebo including, but are not limited to, grills, fire pits, torches, oil lanterns, and candles.
- Keep all components clean; doing so will prolong the appearance and life of the gazebo.
- **DO NOT** use harsh chemicals or solvents to clean the gazebo. Do not use chlorine bleach, do not dry clean. Do not use a pressure washer.
- When not in use, remove and carefully fold the gazebo fabric, clean the frame and store all components in a clean, dry place out of the reach of children.
- **DO NOT** modify this gazebo in any way; altering the structure of the gazebo is unsafe and automatically voids the product warranty.
- Ensure the gazebo is properly anchored at all times. Do not assemble this gazebo where it could encounter high winds. High winds increase the danger of it being carried by the wind which could cause personal injury and property damage.
- Sunburn Warning. This gazebo only provides sun ray protection in the shade area. Depending on the sun's position, this may not be directly under the canopy. Ensure users are aware of the sun's position, wear sunscreen, and actively avoid overexposure to the sun.

Use & Care

- Check for damaged parts before each use. Carefully check that all parts and hardware are secure.
- Carefully consider the location of the gazebo before assembly to ensure it can be properly anchored. Additional anchoring measures (not included) may be necessary.
- All materials and fabrics will eventually fade and degrade from sun exposure. Maintain canopy color and integrity by storing it indoors whenever possible.

SEVERE WEATHER

WIND

Do not use your gazebo in strong winds. If the gazebo is not properly anchored, it is susceptible to uplift. Unsecured gazebos may blow over which may result in personal injury and property damage.

RAIN

Do not let rain pool on the top of your canopy. Pooling water will cause the canopy fabric to stretch, and the excessive weight may damage or break the gazebo frame.

SNOW

Do not let snow build up on your canopy. As with pooling rainwater, excessive amounts of snow will stretch the fabric and potentially damage or break the frame.

LIGHTNING

Do not set up, take down, or seek shelter under this gazebo when there is lightning.

FABRIC CARE

WASHING

Use warm, soapy water and a soft cloth or soft-bristle brush to scrub fabrics. Remove soap residue completely before air-drying. A garden hose with a spray nozzle set to a “flat” setting works great for removing soap; spray from top to bottom in vertical swipes until all of the soap residue is removed. Never use bleach or harsh cleansers.

DRYING

Hang the fabric to air dry, avoid hanging the fabric over anything with sharp edges that may rip the fabric. Allow air and light to hit as much of the fabric as possible — this will reduce the chance of mold and mildew.

FOLDING

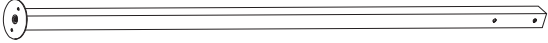






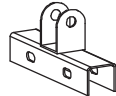




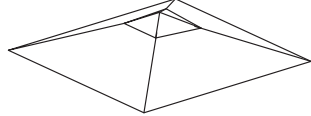


Folding the canopy along existing creases and folds will help it retain its natural shape. Never bunch up the canopy fabric when storing as it will reduce the life of the fabric.

FRAME CARE

CLEANING THE GAZEBO FRAME

Wipe the frame down with a damp cloth. Drying the frame is recommended as residual moisture may cause rust.

Components - Parts & Fittings

No.	PARTS	QTY.
A	 Leg	4
B	 Roof Beam	8
C	 Long Roof Bar	4
D	 Short Roof Bar	4
E	 M6x30mm Bolt	12
F	 M6x15mm Bolt	8
G	 M6x25mm Bolt	28
H	 T-Bracket	4
J	 U-Bracket	4
L	 Hex Key	1
M	 Nut	28
N	 Spanner	1
Q	 Canopy Fabric	1
T	 Tent Stake Peg	8
Y	 Peak Hub	1



Inspect packaging to ensure all parts are accounted for before disposing of packing materials.

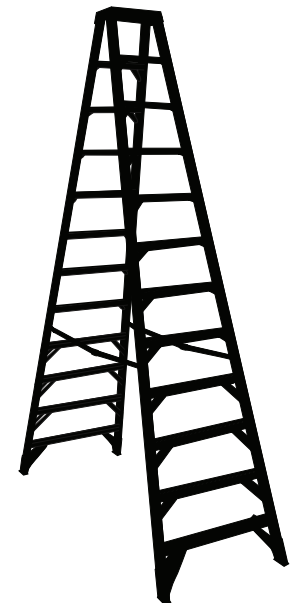
! WARNING !

CHOKING HAZARD — This item contains small parts that can be swallowed by children. Keep children away during assembly.



**2-PERSON
ASSEMBLY**

TOOLS REQUIRED (not included)



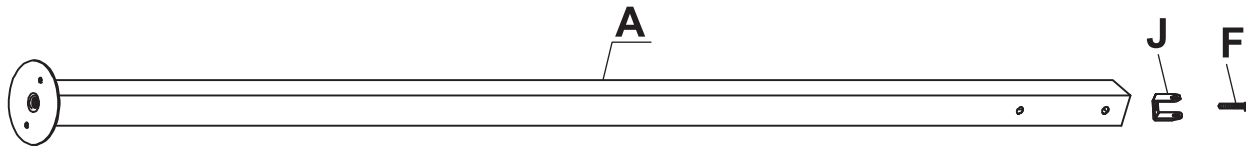
Step Ladder

STEP 1

A: 4

J: 4

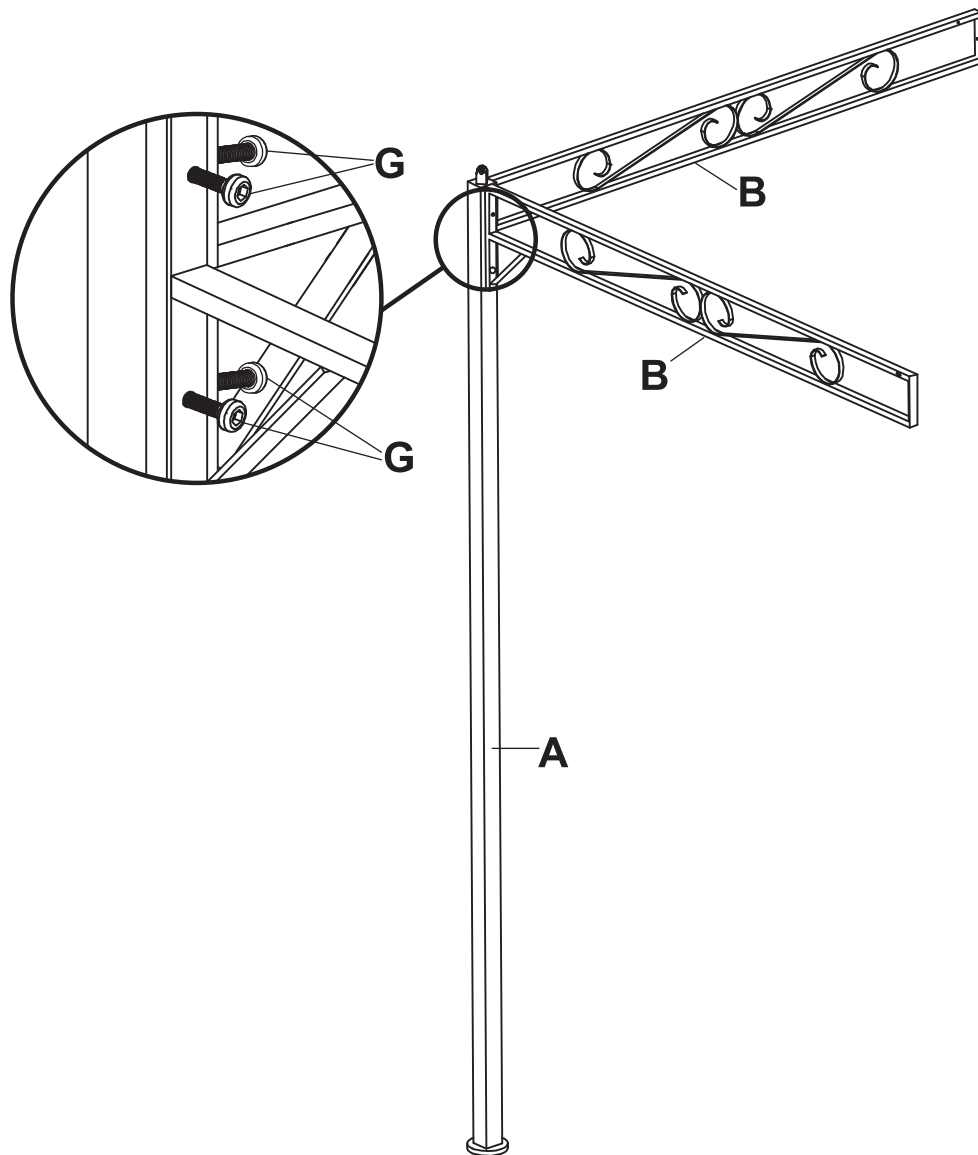
F: 4



STEP 2

B: 8

G: 16



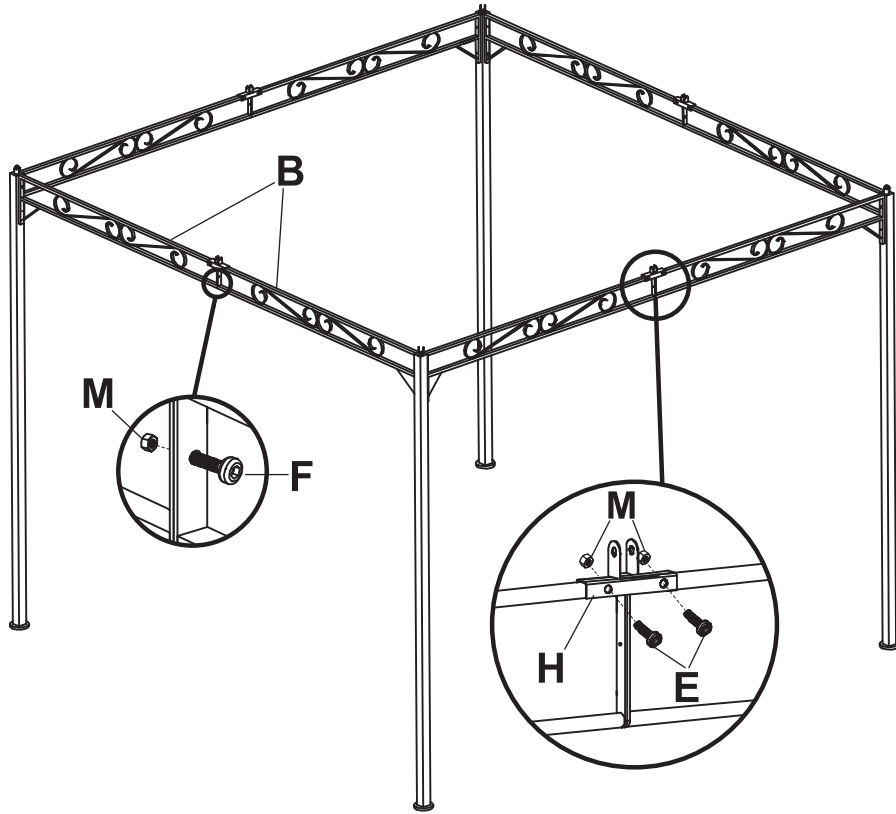
STEP 3

E: 8

F: 4

M: 12

H: 4



STEP 4

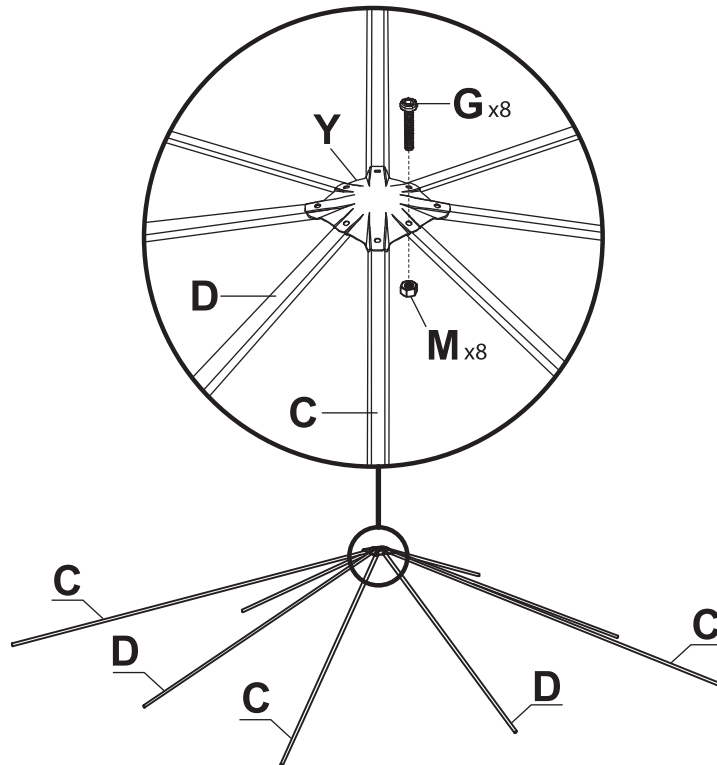
C: 4

D: 4

G: 8

M: 8

Y: 1

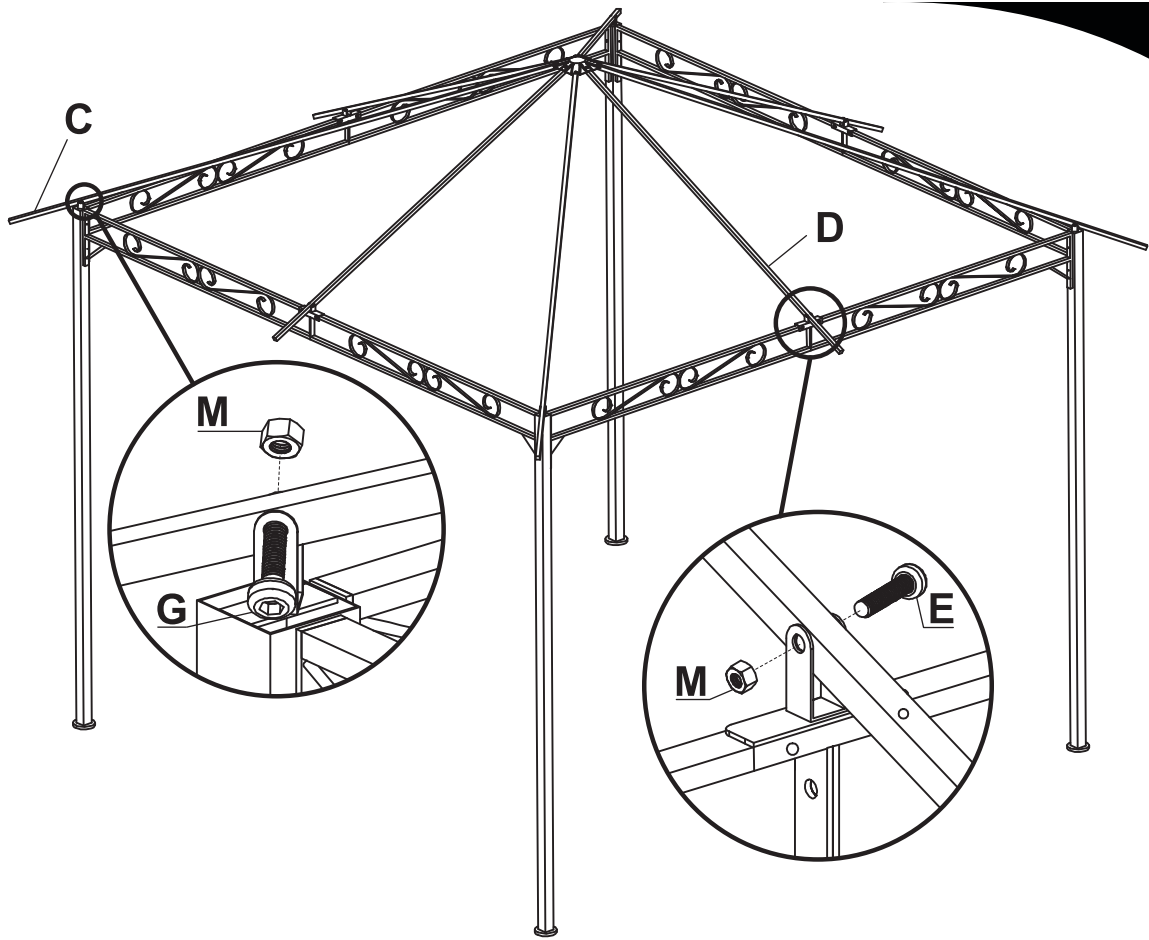


STEP 5

E: 4

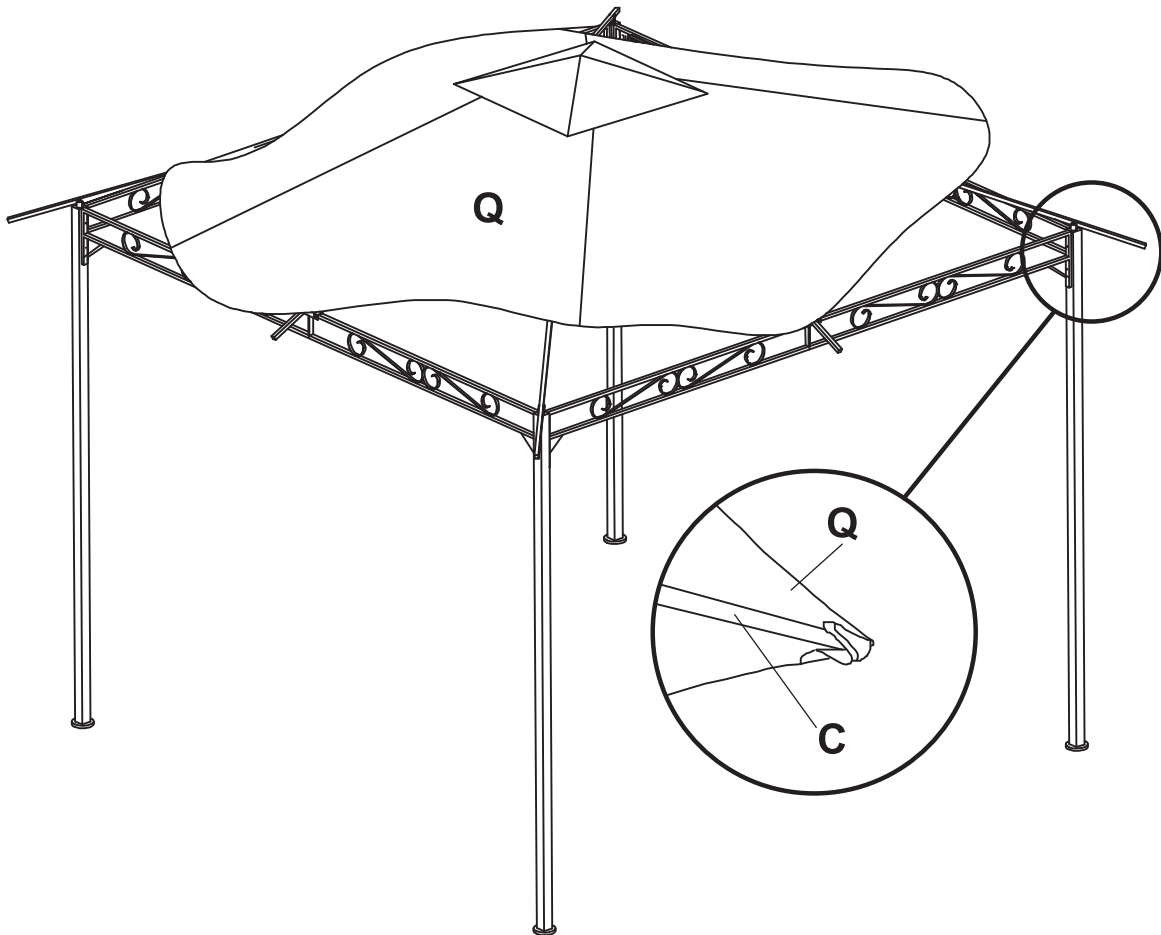
G: 4

M: 8



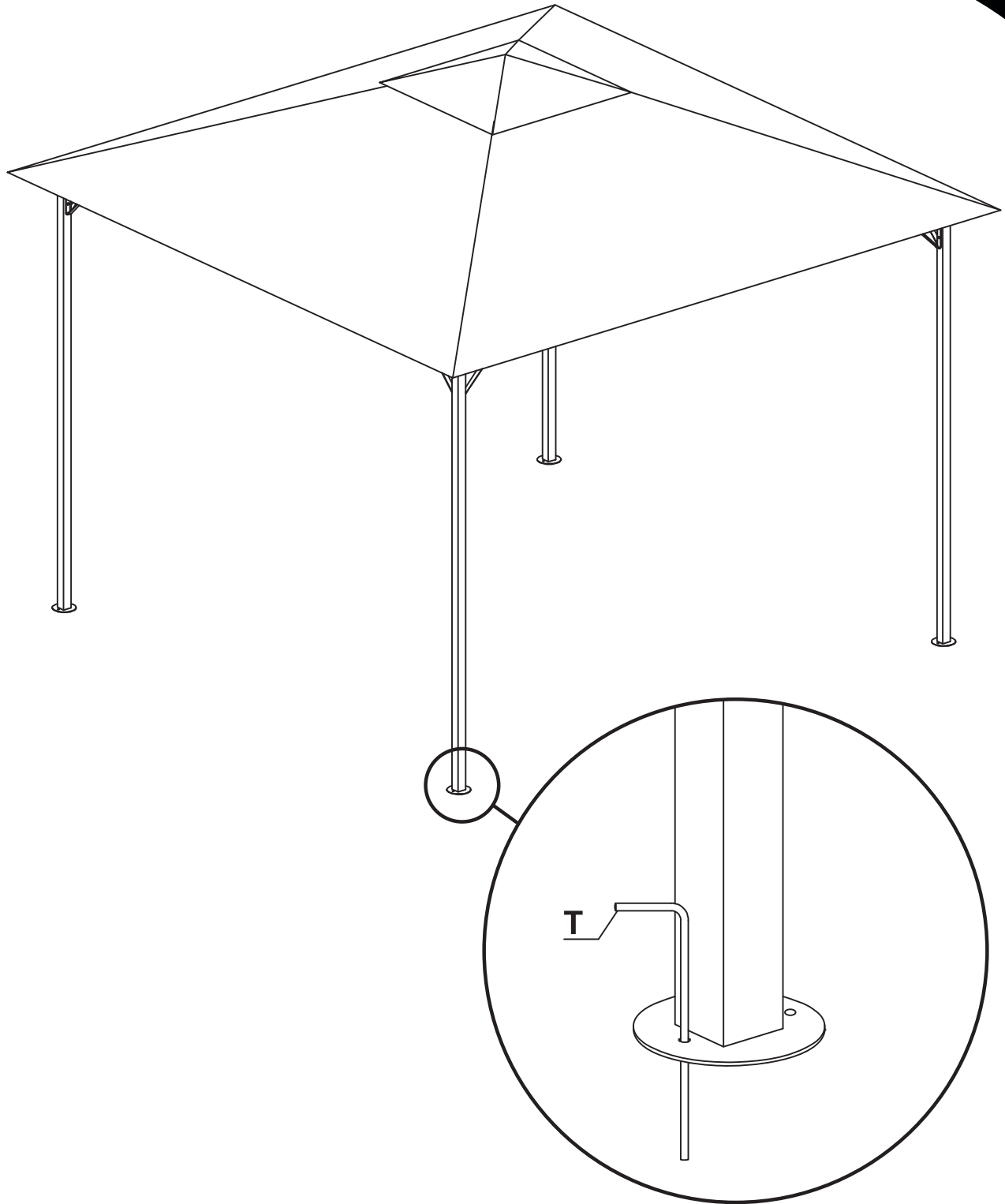
STEP 6

Q: 1



STEP 7

T: 4



Any modification to the product or failure to follow recommended care will void the product warranty.

WARNING!

Manufacturer and seller expressly disclaim any and all liability from personal injury, property damage or loss, whether direct or indirect, or incidental, resulting from the incorrect attachment, improper use, inadequate maintenance, or neglect of this product.