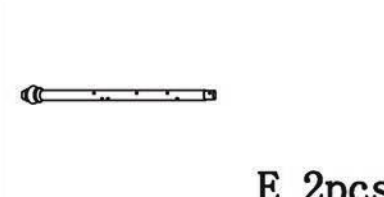
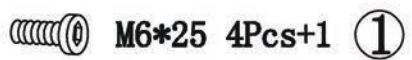

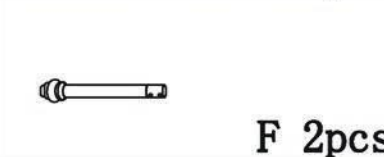




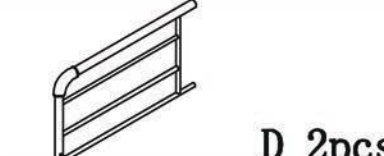

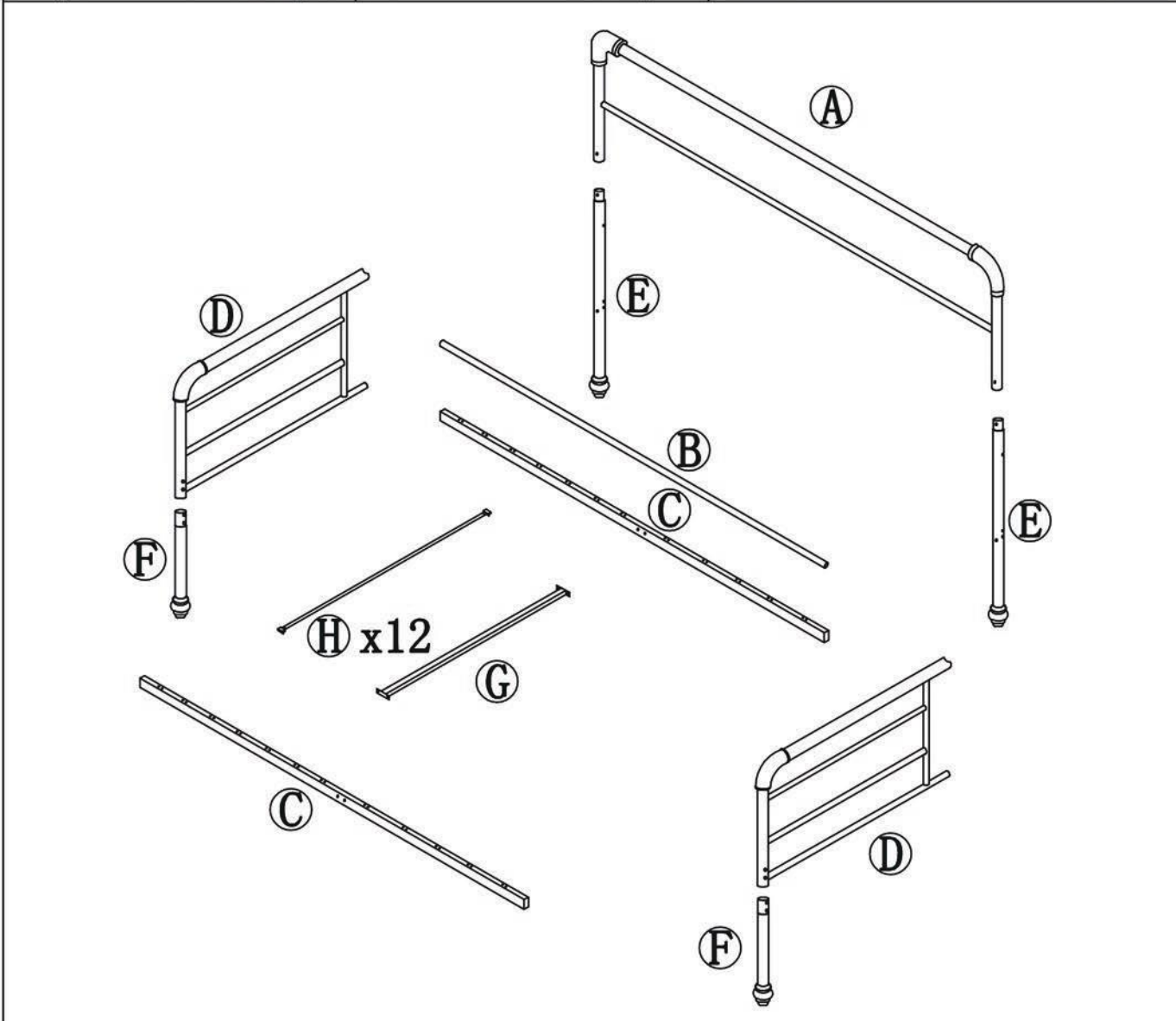
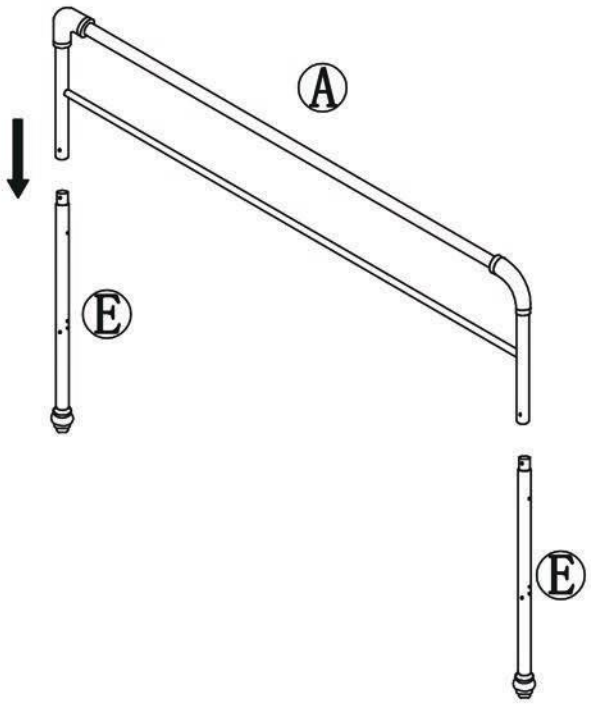
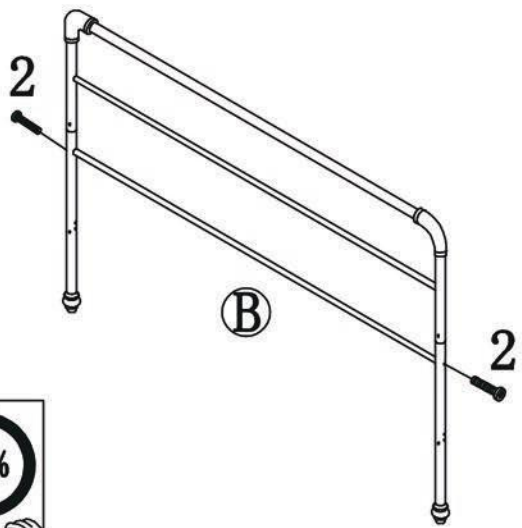
 A 1pc	 E 2pcs	 M6*25 4Pcs+1 ①
 B 1pc	 F 2pcs	 M6*45 14Pcs+1 ②
 C 2pcs	 G 1pc	 1Pc ③
 D 2pcs	 H 12pcs	



1

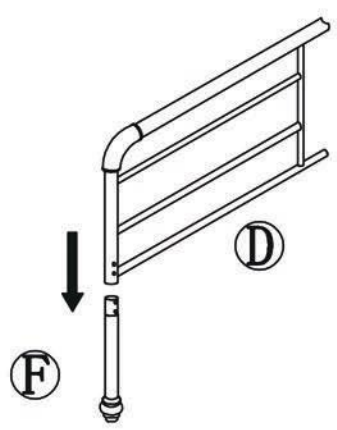


2

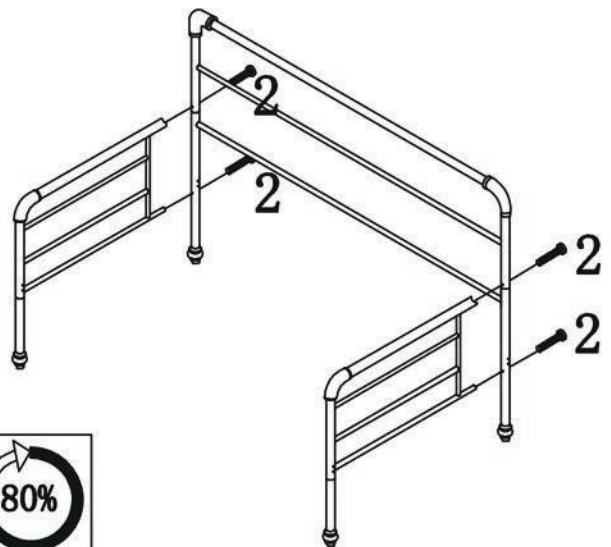


②	*2
M6*45mm	

3

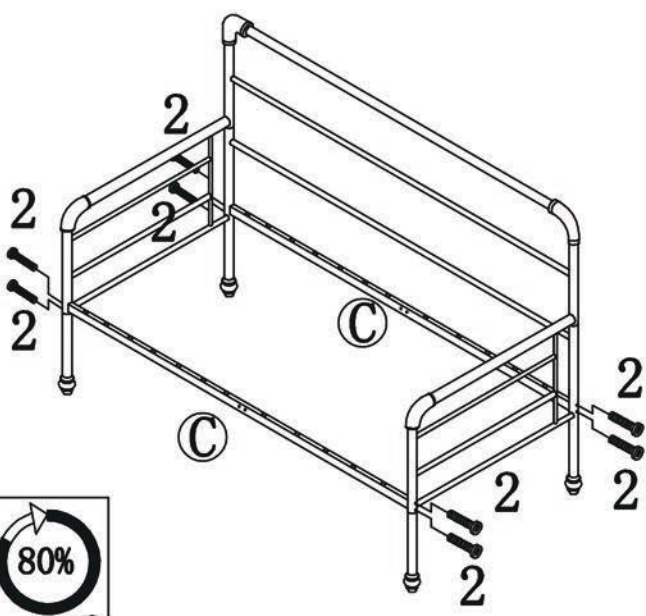


4



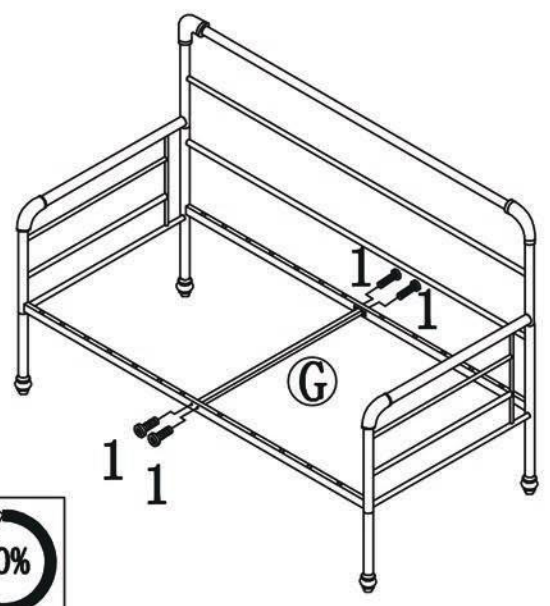
②	*4
M6*45mm	

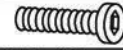
5



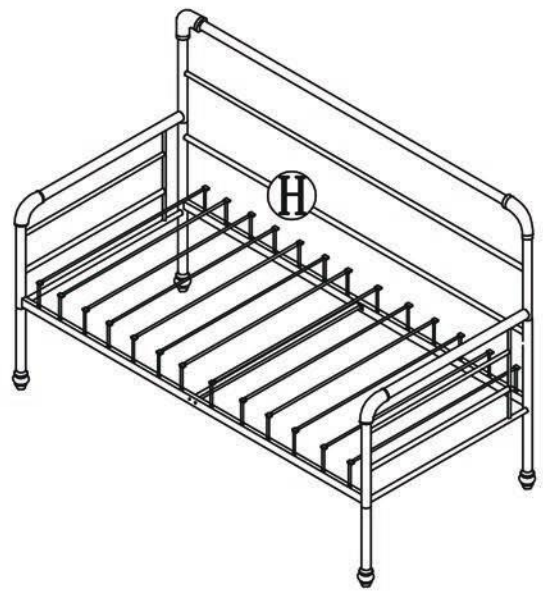
②	*8
	
M6*45mm	

6

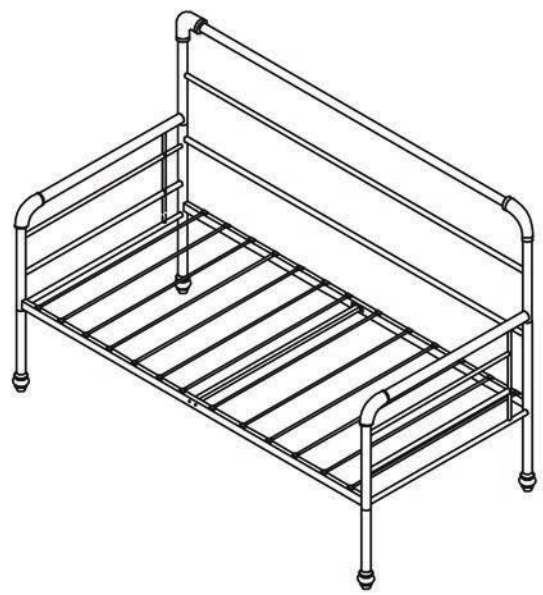


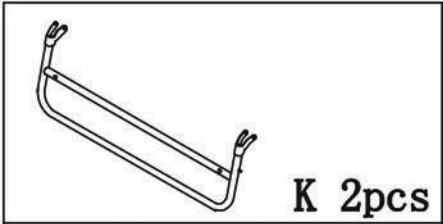
①	*4
	
M6*25mm	

7

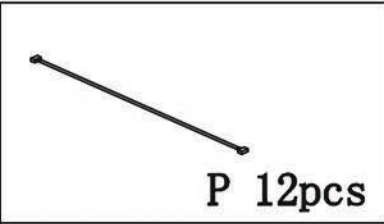


8

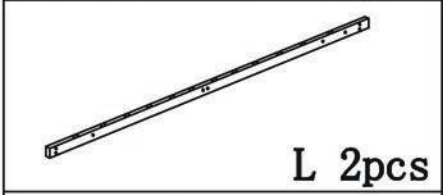




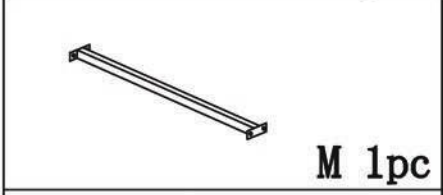
K 2pcs



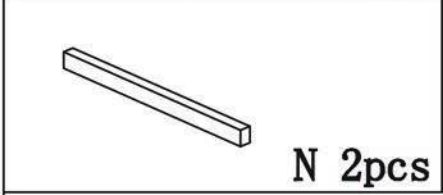
P 12pcs



L 2pcs

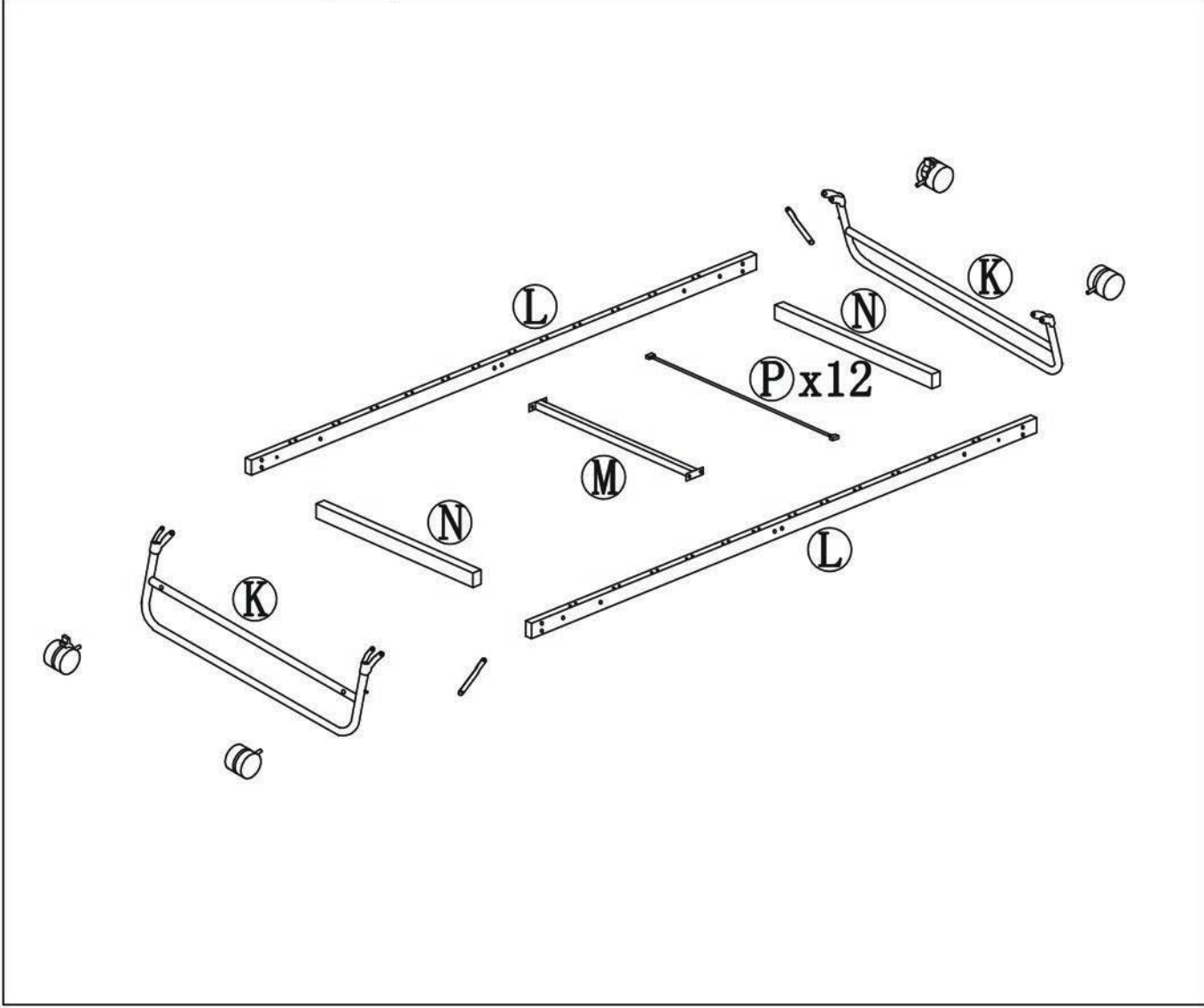


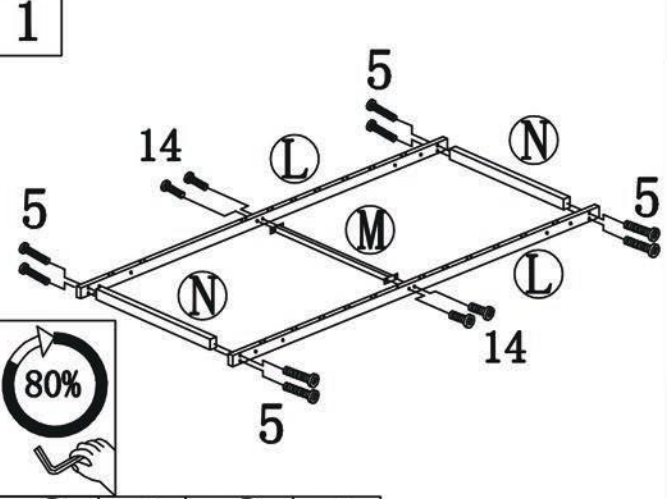
M 1pc



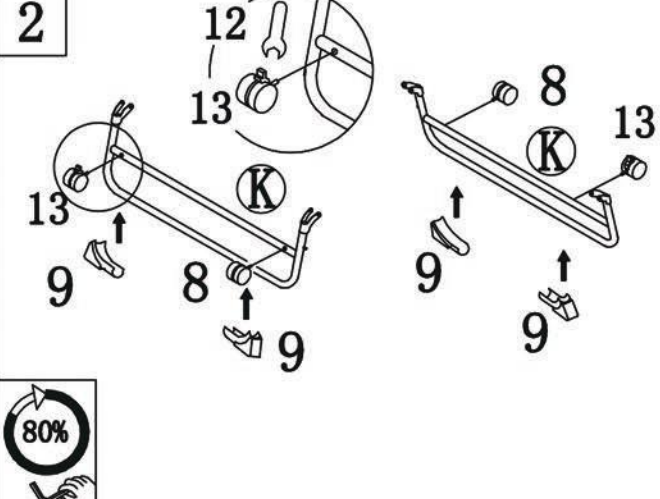
N 2pcs

	1Pc	③
	M6*40 4Pcs+1	④
	M6*40 8Pcs+1	⑤
	M6 2Pcs+1	⑥
	M6 6Pcs+1	⑦
	M8 2Pcs	⑧
	4Pcs	⑨
	2Pcs	⑩
	10mm 2Pcs	⑪
	13mm 2Pcs	⑫
	M8 2Pcs	⑬
	M6*25 4Pcs+1	⑭
	M6*35 2Pcs+1	⑮

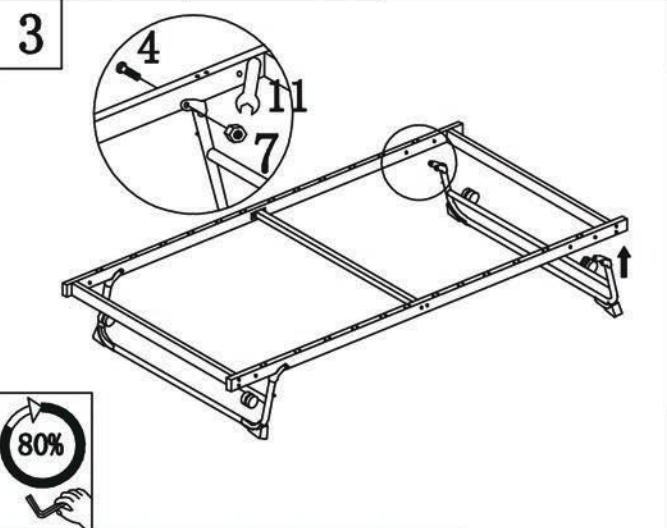




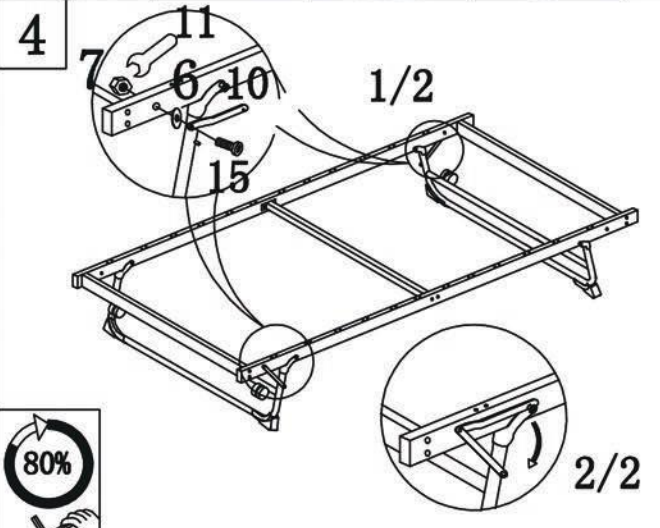
⑤	*8	⑭	*4
M6*40mm		M6*25mm	



⑧	*2	⑨	*4	⑫	*1	⑬	*2
M8				13mm		M8	



⑦	*4	⑪	*1	④	*4
M6		10mm		M6*40mm	



⑥	*2	⑦	*2	⑩	*2	⑪	*1	⑮	*2
M6		M6				10mm		M6*35mm	

