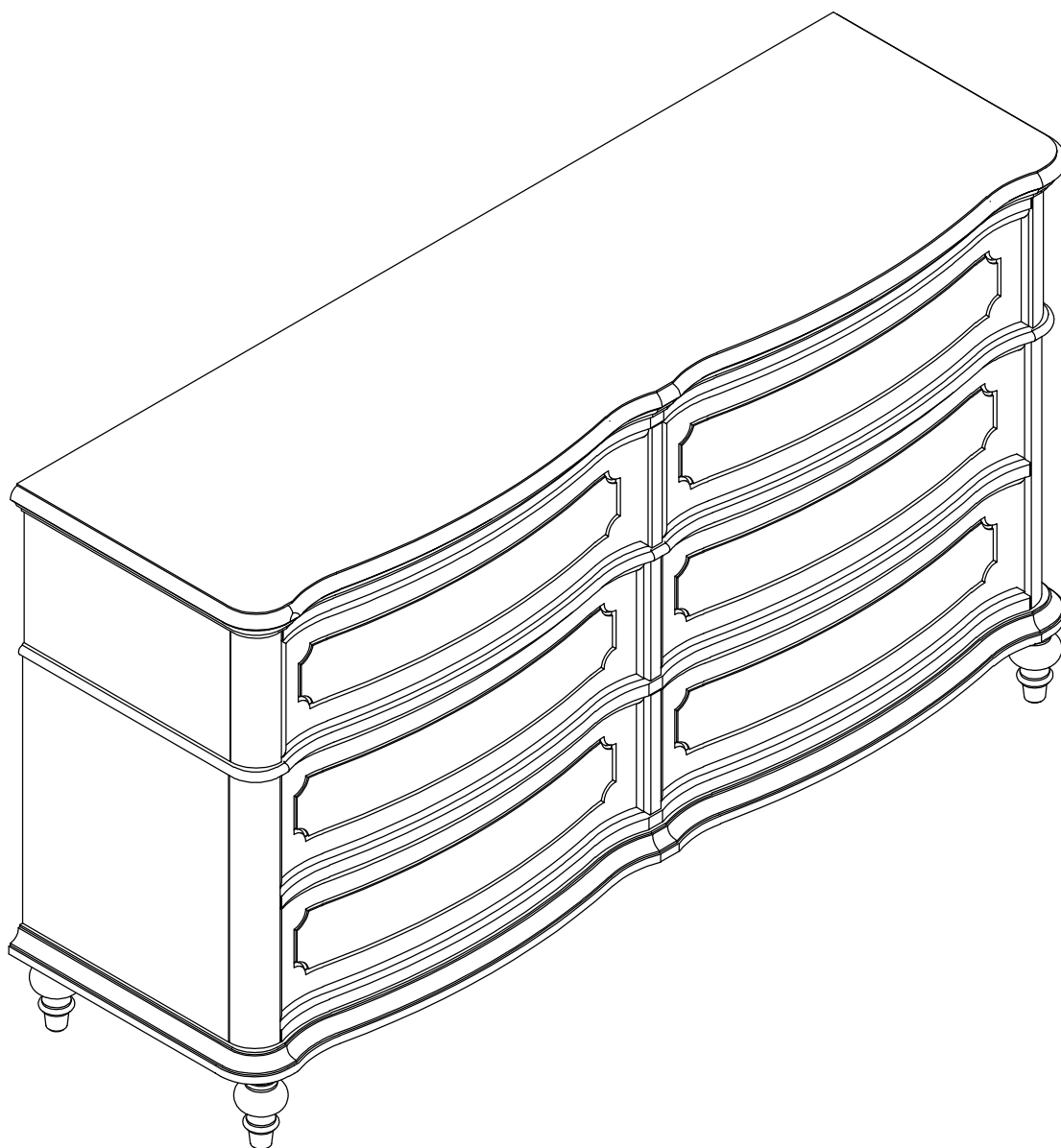


Owner Manual

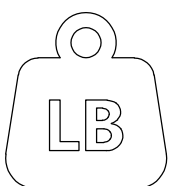


NOTE:

This brochure contains IMPORTANT safety info. Please read and keep for future reference.

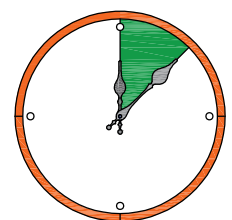
MAINTAINANCE AND WARNING

- 1.Keep furniture away from heat sources.
- 2.Do not clean furniture with harsh cleaner or polishes.Do not use detergents,solvents,abrasives,spray packs or leather cleaner. Use non-color mild soap with warm water to clean spills(Mix 1:10 soap to water).
- 3.Do not place furniture under direct sunlight,material will possibly fade over time.
- 4.Do not use on site dry cleaning machine.Children should not climb or jump on the furniture.
- 5.Do not write on furniture that is not protectedby a padded barrier.
- 6.Not for commercial use,only for residential use.



Weight Limitation

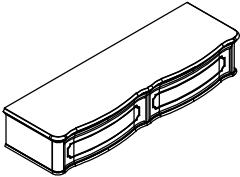
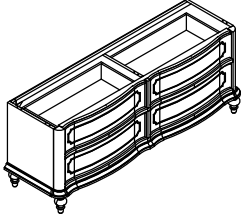
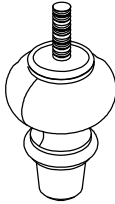

150 LBS





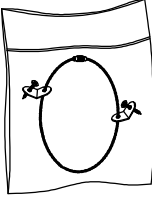
Around 15 min

02/09

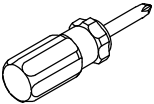
PARTS LIST

A	x1	B	x1	C	x4	D	x1
							

HARDWARE LIST

#1	x2	#2	x4	#3	x2
					
		Ø3*14			

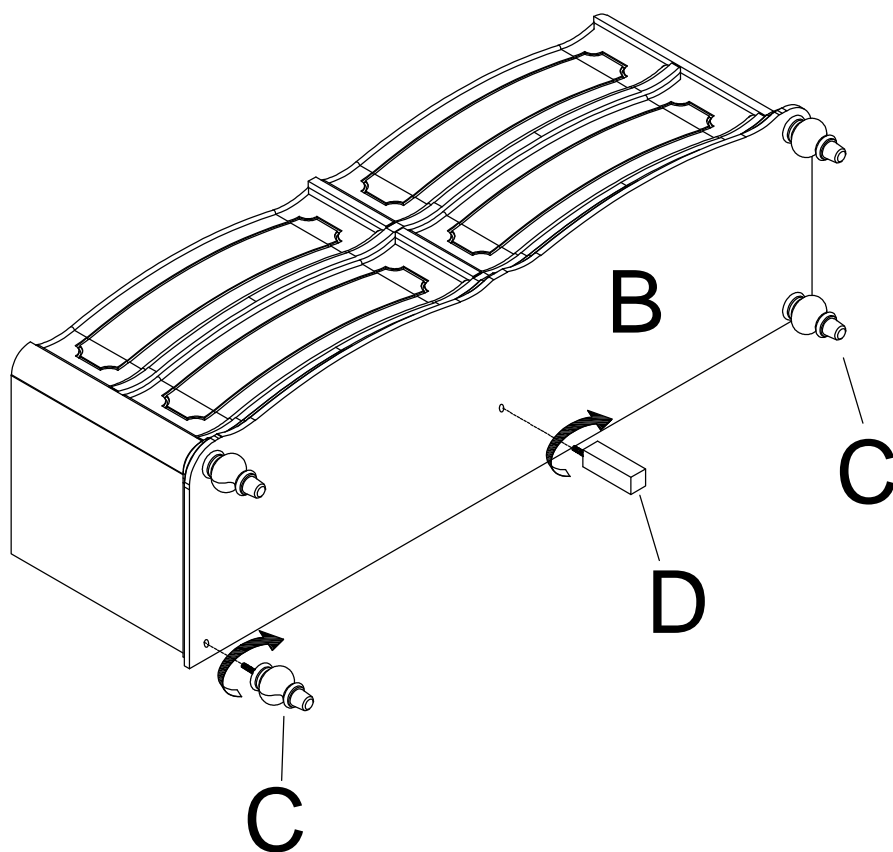
TOOL LIST

#4	x1
	

ASSEMBLY INSTRUCTIONS

STEP-1

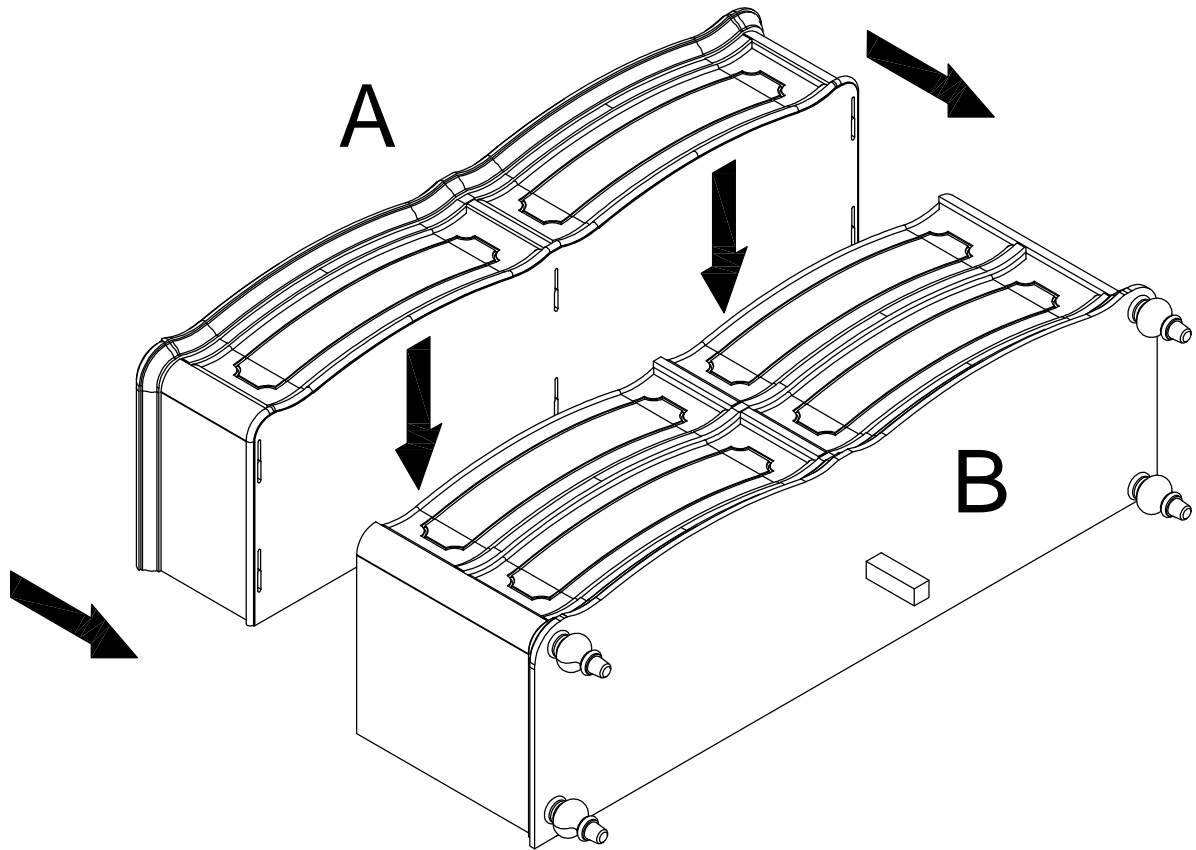
Place B flat on a clean surface and rotate feet C/D clockwise into the bottom of B



ASSEMBLY INSTRUCTIONS

STEP-2

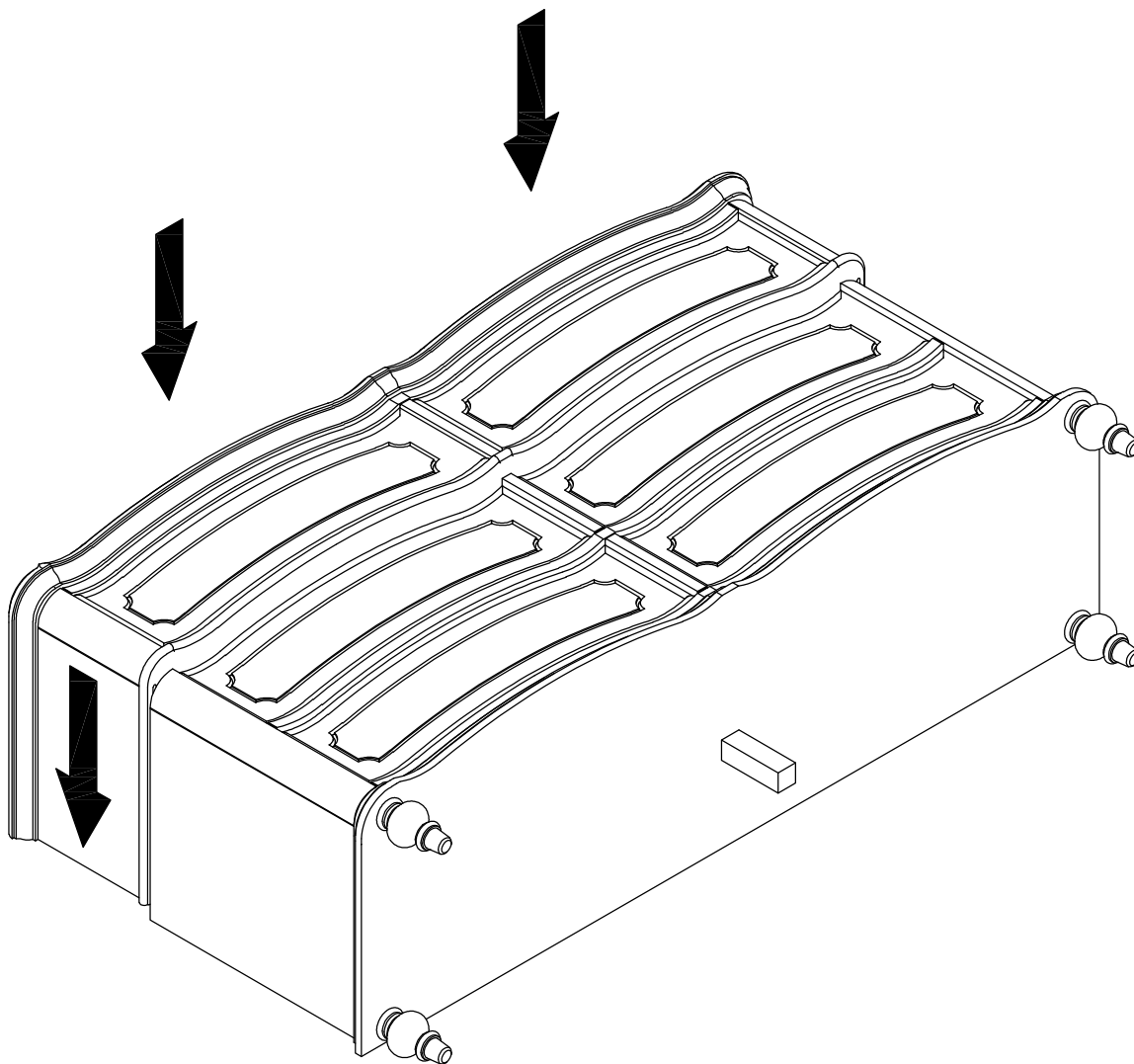
Carefully install 2 parts together.



ASSEMBLY INSTRUCTIONS

STEP-3

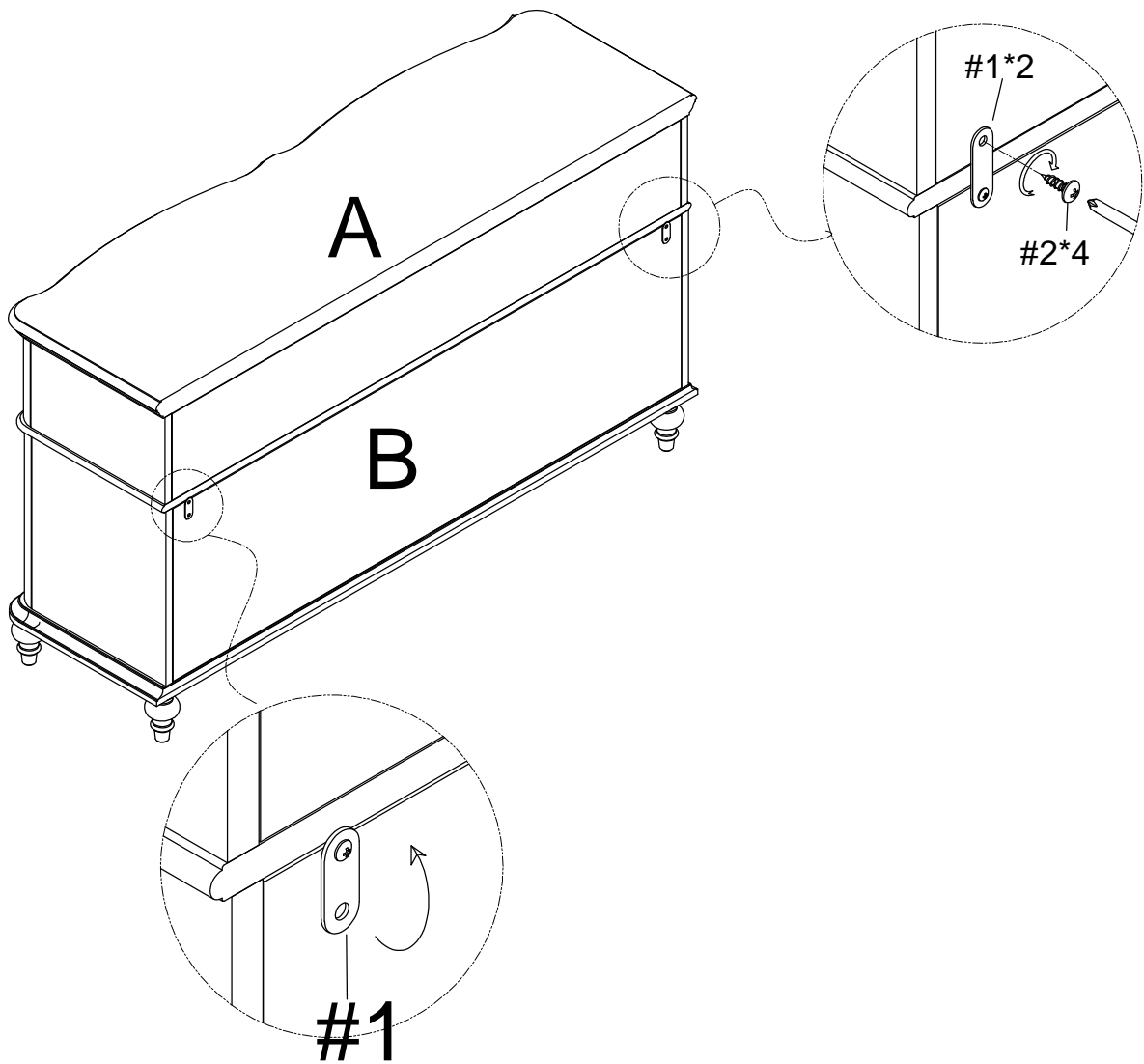
Push the upper part to connect 2 parts together.


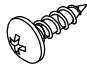
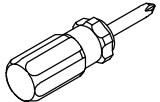


ASSEMBLY INSTRUCTIONS

STEP-4

Flip the metal plate, tighten with screwdriver #2 tighten #1.

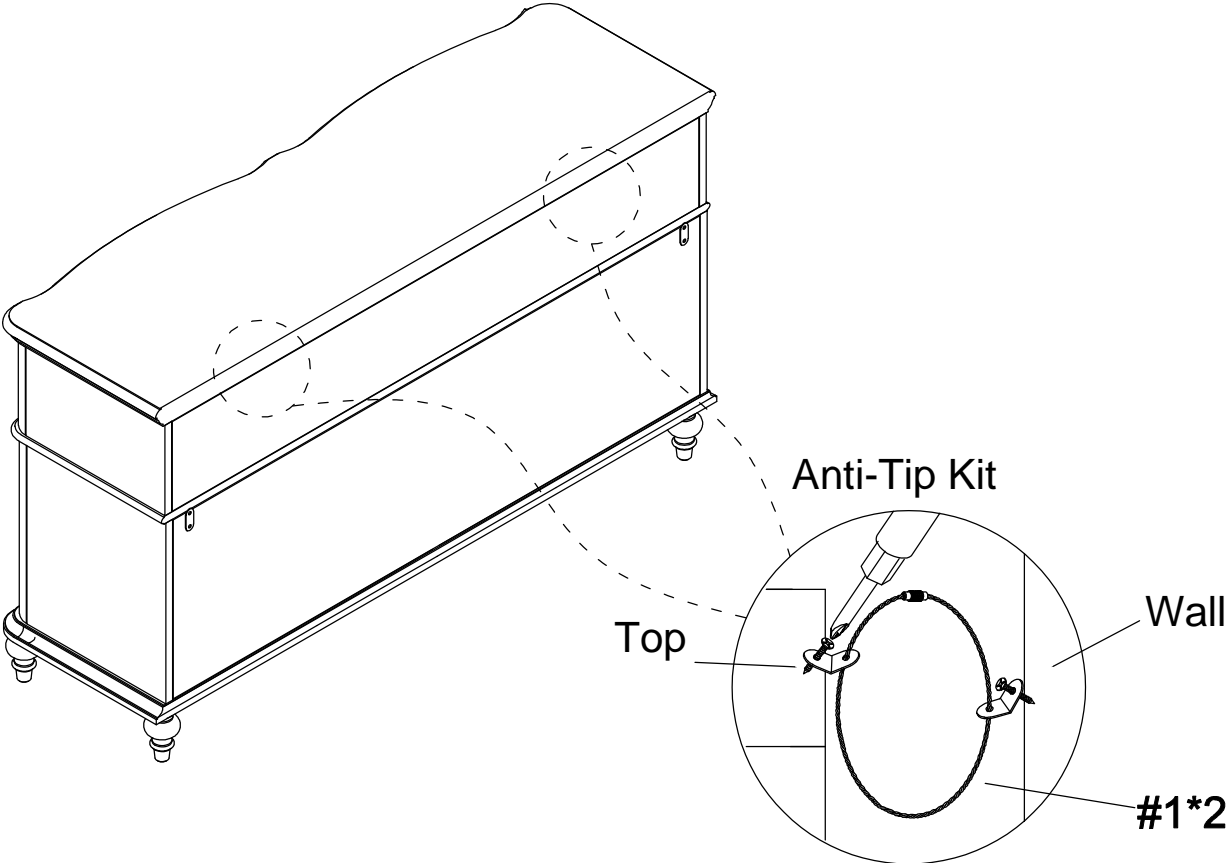


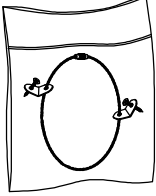
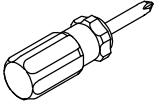
#1	x2	#2	x4	#4	x1
					

ASSEMBLY INSTRUCTIONS

STEP-5

Use #4 to install the anti-tip kit #3, 1 screw to the wall other to product under top panel.



#3	x2	#4	x1
			

WARRANTY

1. We strive to offer high-quality products, and we also try our best to satisfy each and every customer that orders from us with product or service as needed.
2. We provide 30 days warranty starting from the time you receive the item. Each customer must provide a record of their order such as the order number, or item receipt for any items that are out of the warranty period you may also still receive.
3. Replacement parts by purchasing them with our company if they are available.