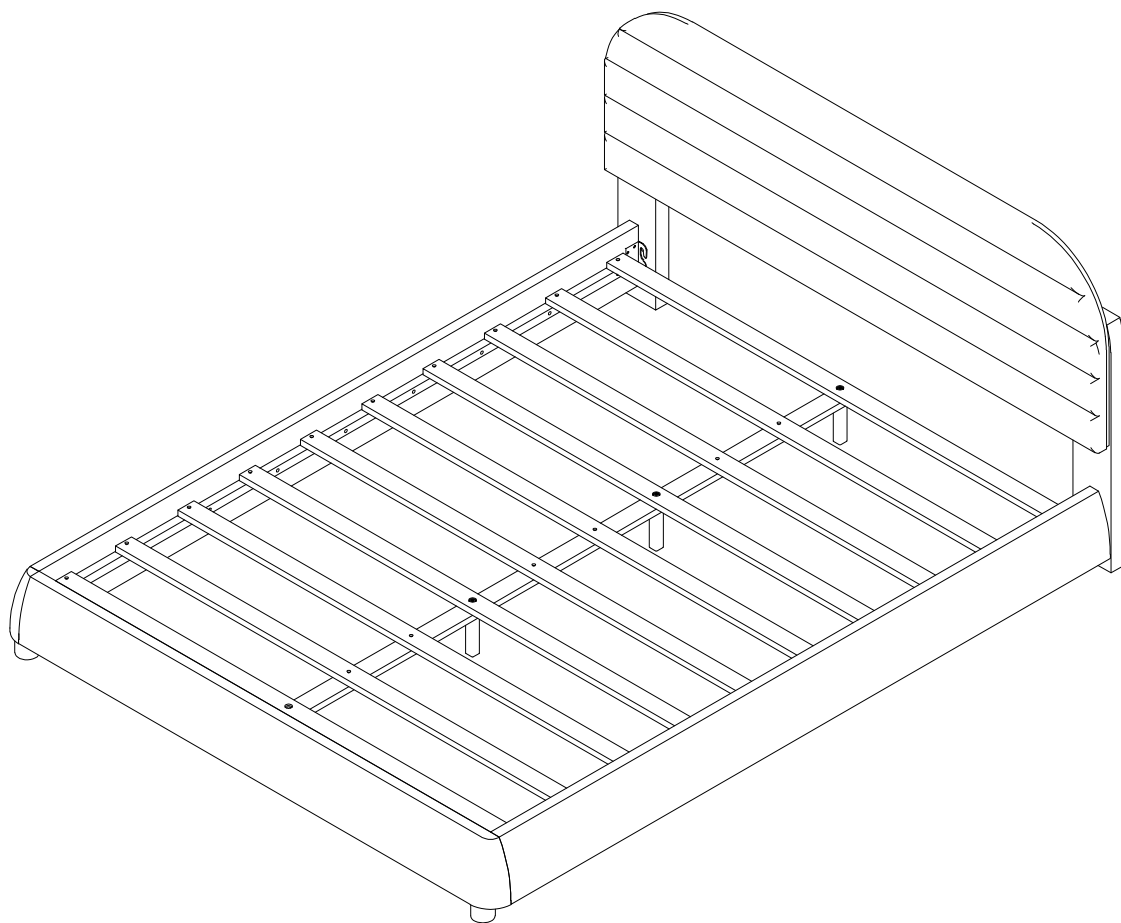
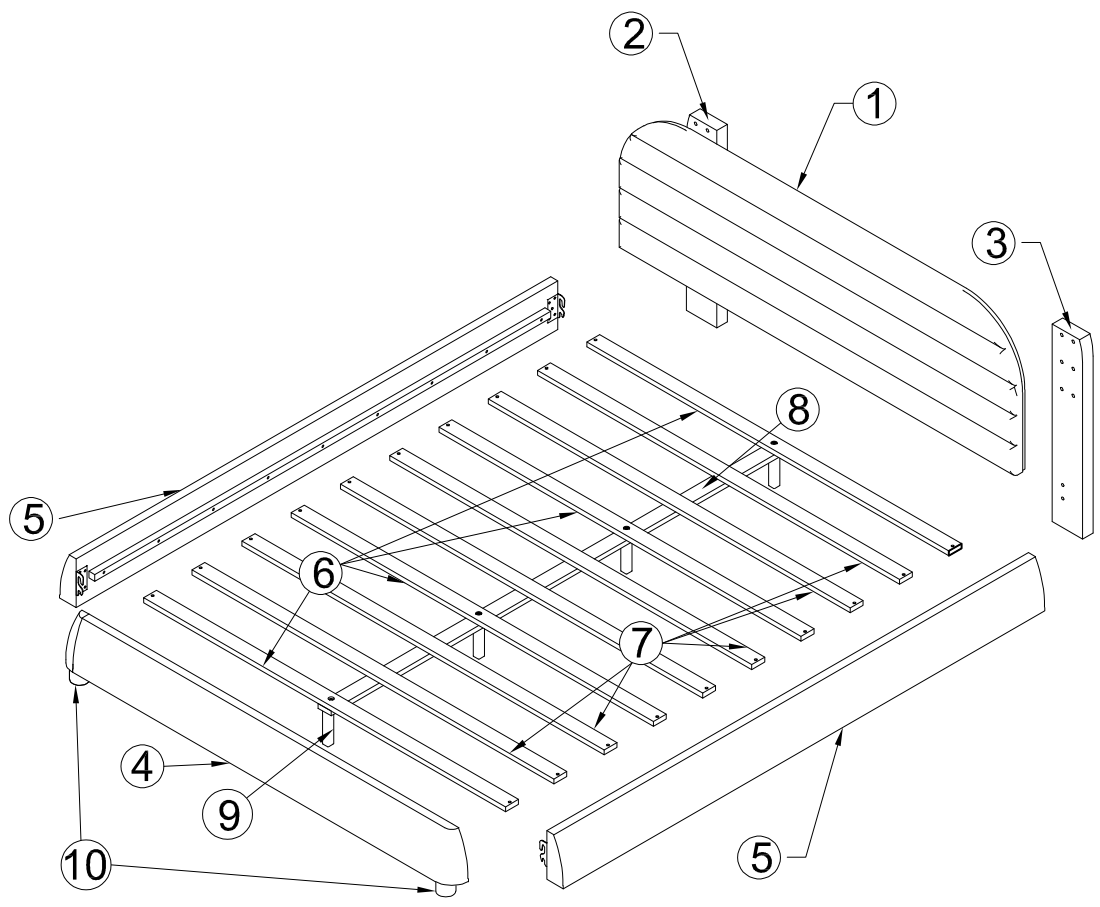


INSTALLATION & ASSEMBLY

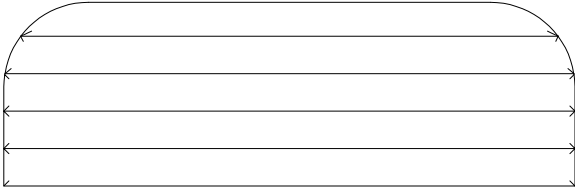




PARTS

check that you've received
all parts listed below

① (1PC)



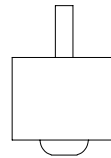
② (1PC)



③ (1PC)



⑩ (2PCS)



⑨ (4PCS)



⑦ (6PCS)



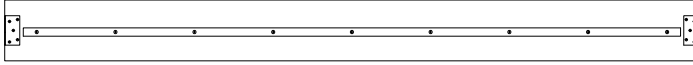
⑥ (4PCS)



PARTS

check that you've received
all parts listed below

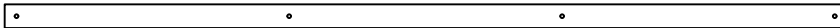
⑤ (2PCS)



④ (1PC)



⑧ (1PC)



HARDWARE

check that you've received
all parts listed below

Hardware List

A



$\varnothing 5/16'' \times 38 \text{ mm}$

8 pcs

B



$\varnothing 5/16'' \times 60 \text{ mm}$

12 pcs

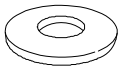
C



$\varnothing 5/16'' \times 70 \text{ mm}$

4 pcs

D



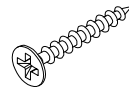
24 pcs

E



24 pcs

F



20 pcs

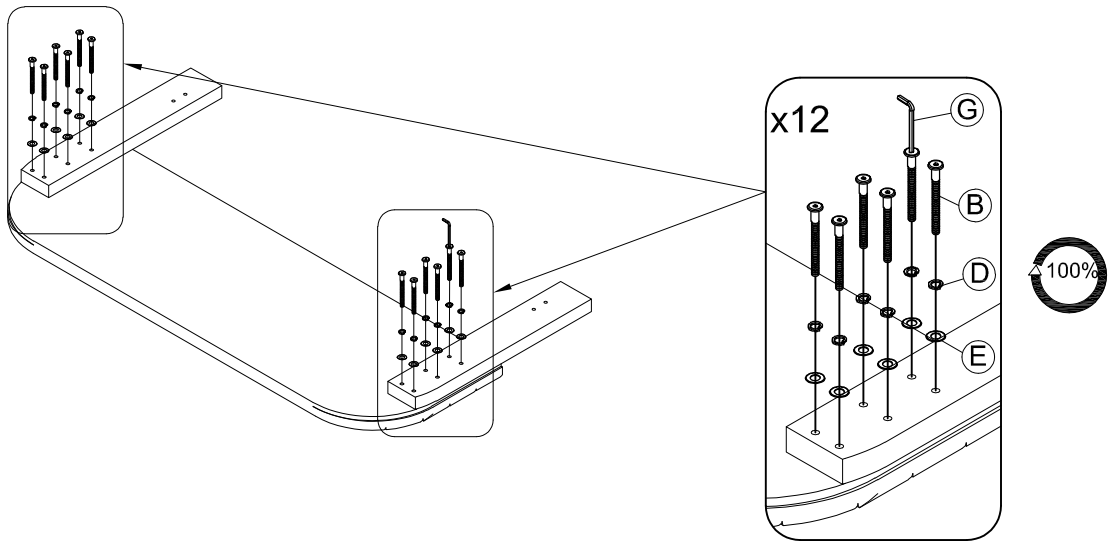
G



1 pc

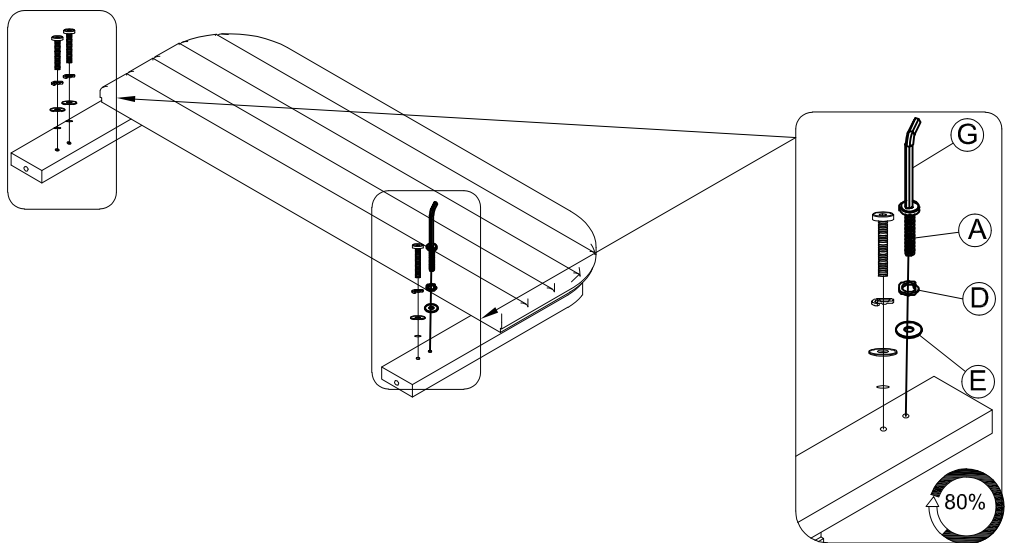
STEP 1

B x 12	D x 12	E x 12	G x 1	
--------	--------	--------	-------	--

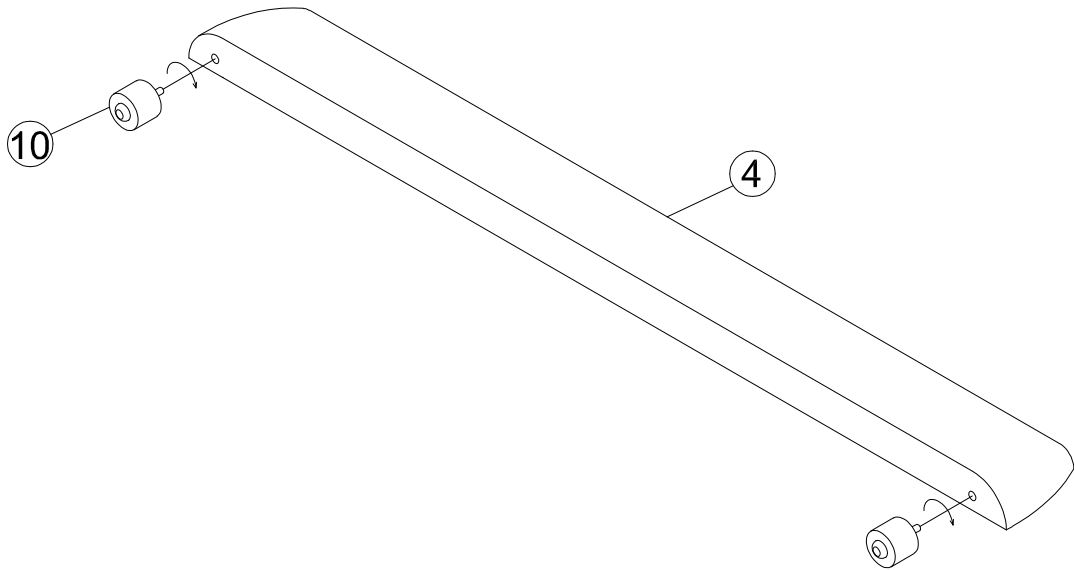


STEP 2





A x 4	D x 4	E x 4	D x 1	
-------	-------	-------	-------	--

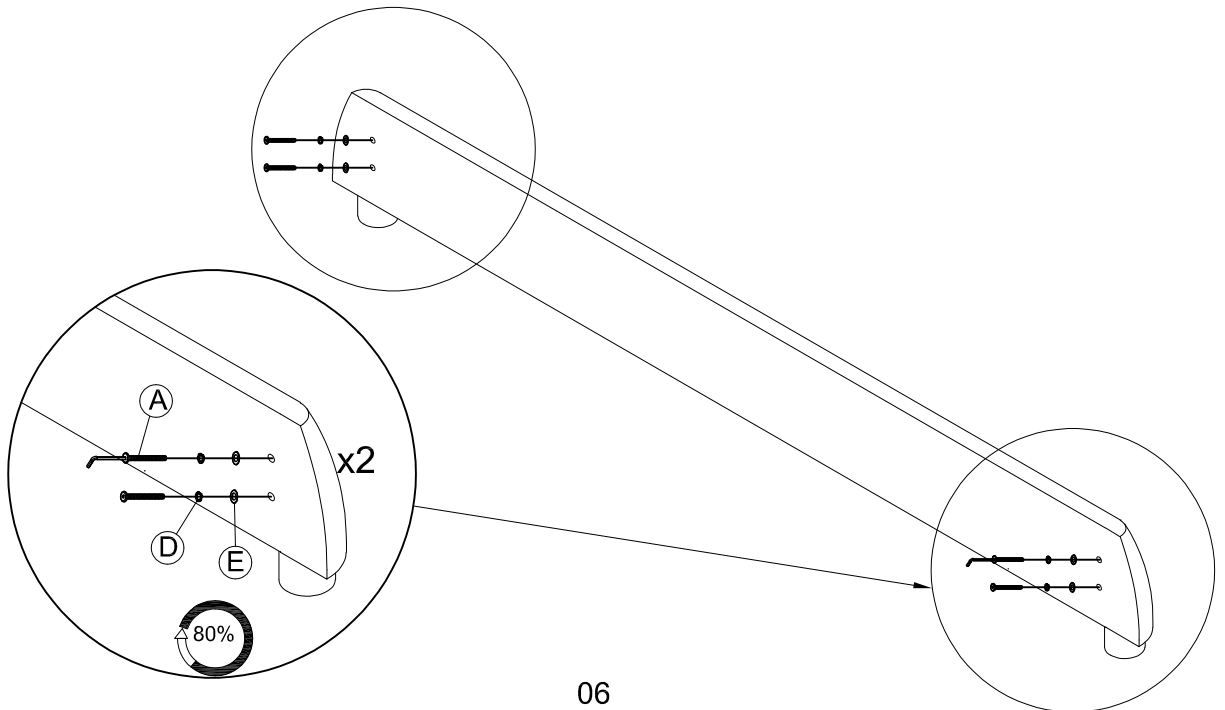


STEP 3

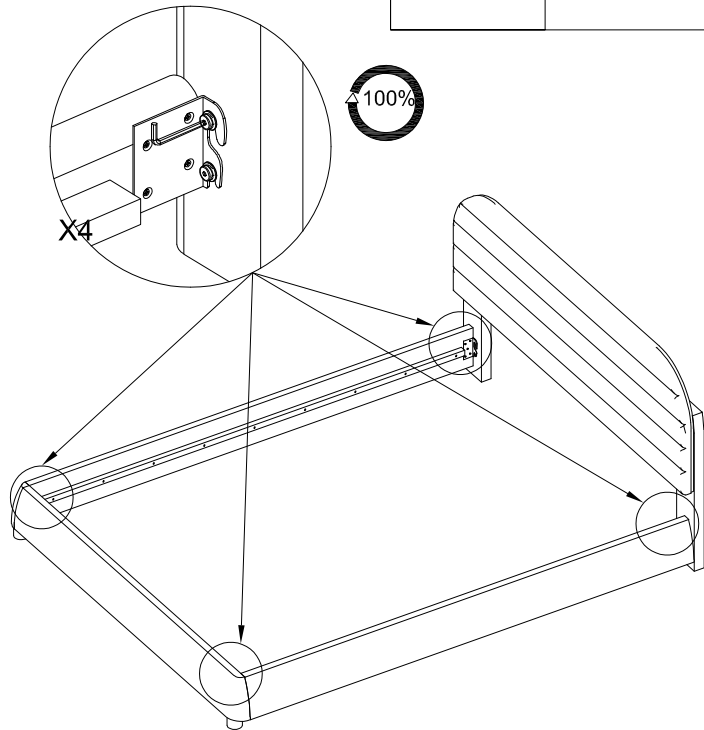
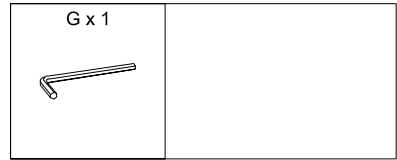


STEP 4

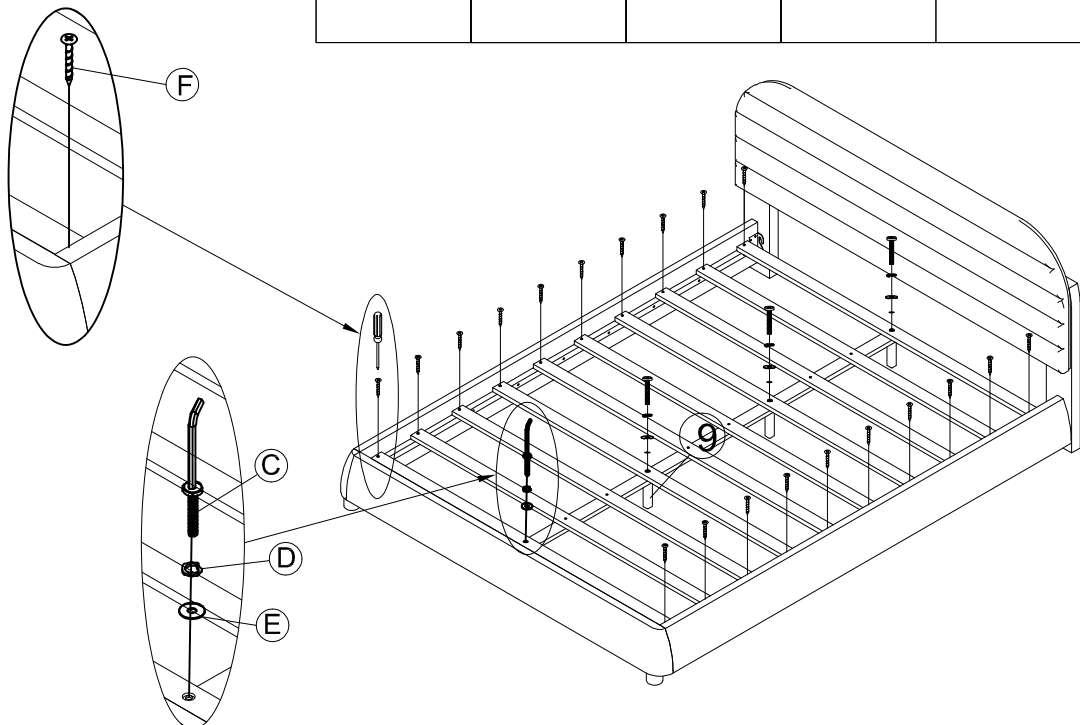
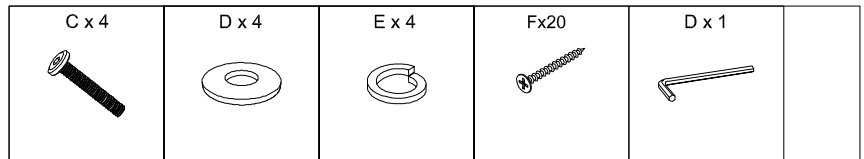
A x 4	D x 4	E x 4	D x 1	
				



STEP 3



STEP 4



finish

