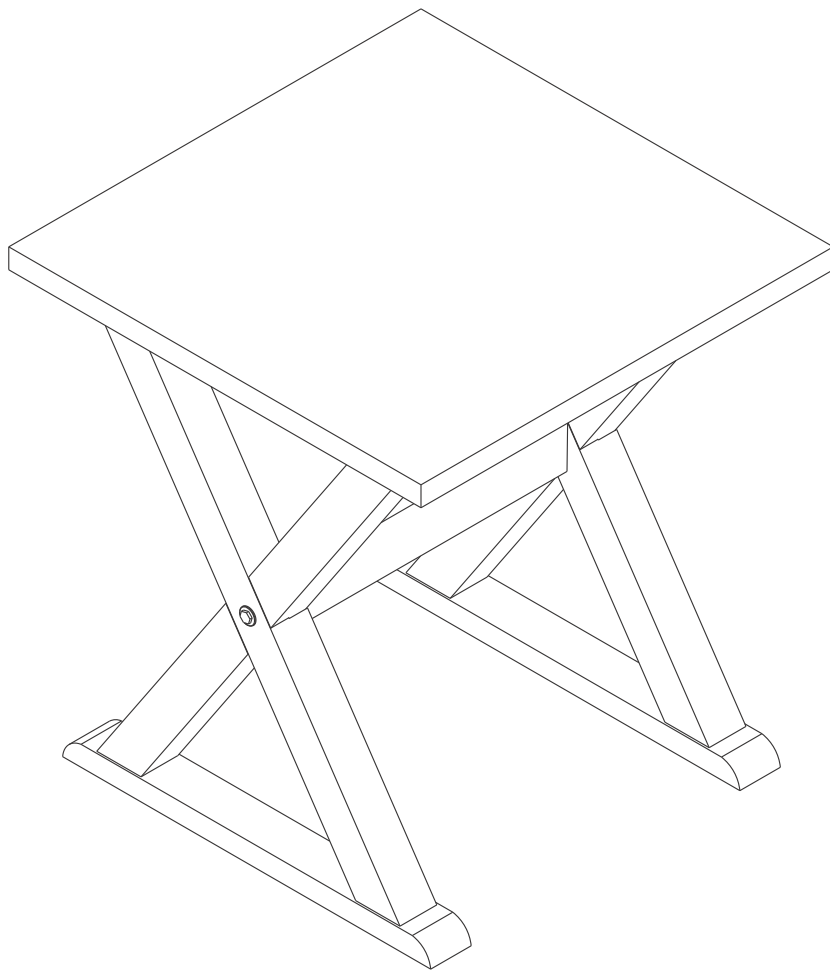
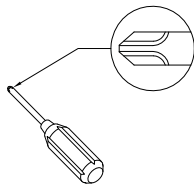


Assembly Instruction

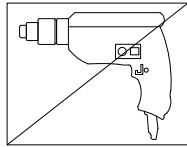


General Assembly Guidelines

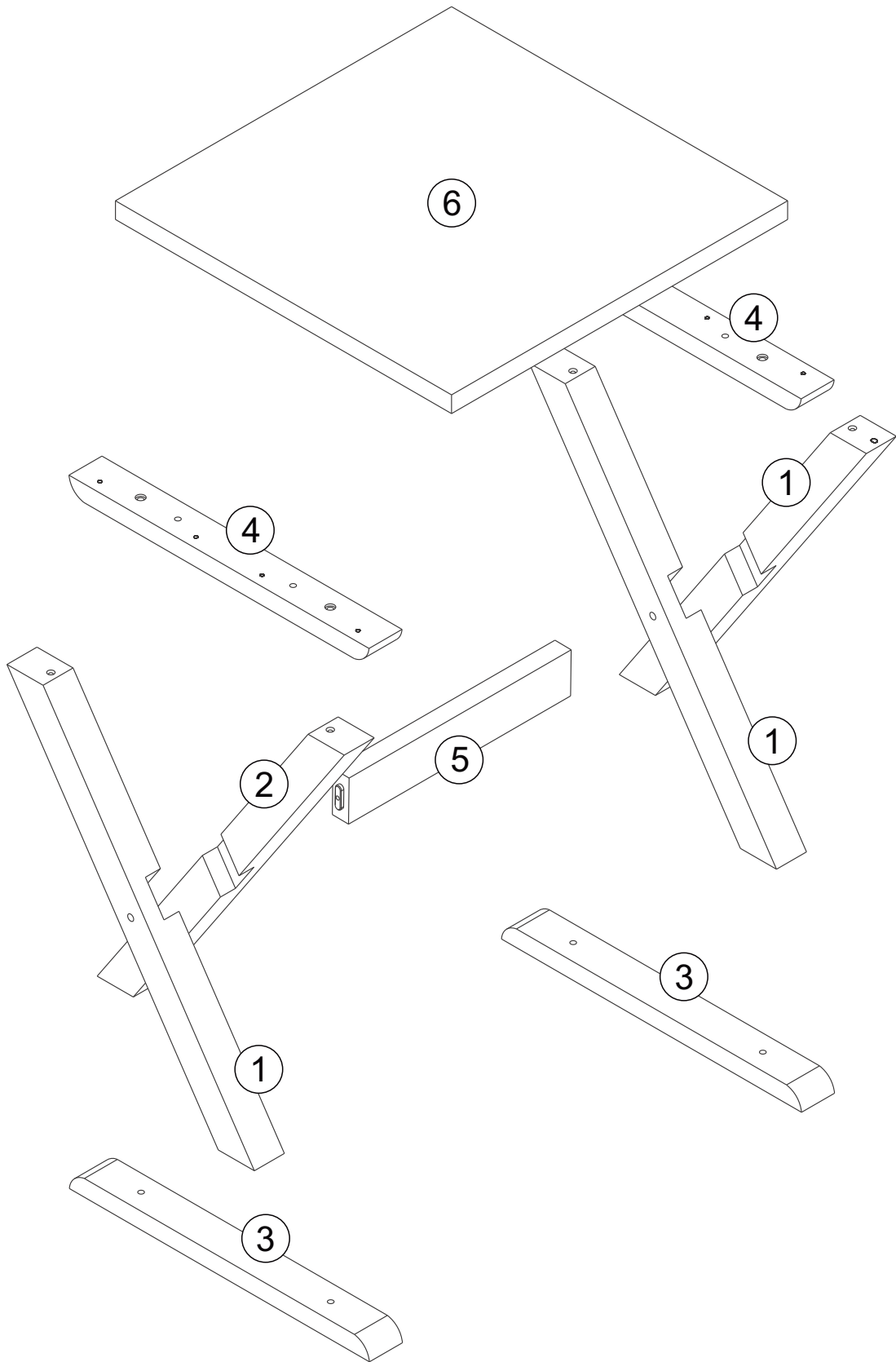
- I. Ensure that all parts and hardware are available before beginning assembly.
- II. Follow each step carefully to ensure the proper assembly of this product.
- III. Two people are recommended for ease in the assembly of this product.
- IV. The three main types of hardware used to assemble this product are : wood dowels , screws and bolts.
- V. A Phillips head screwdriver is required for the assembly of this product .



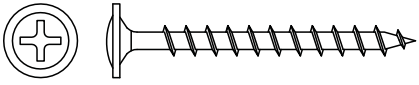
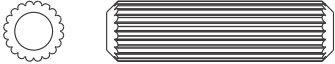
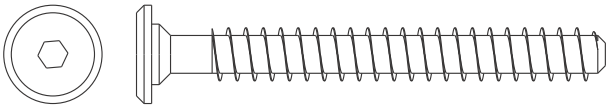
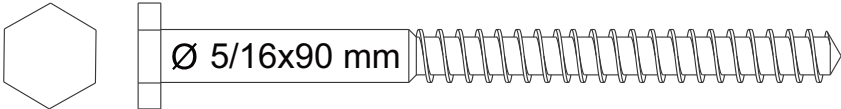
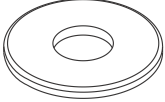
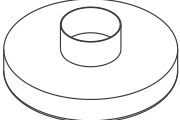
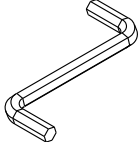
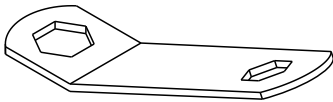
- VI. Power tools should not be used to assemble this product .

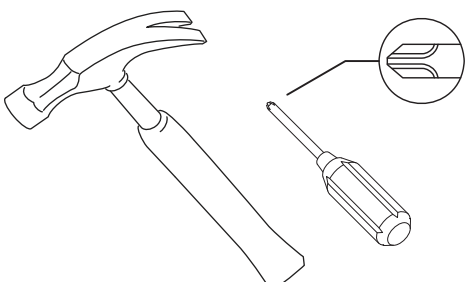


Parts List



Hardware List

A		Ø 4,0x40 mm Screw	08 pcs	
B		Ø 8,0x30 mm Wood dowel	04 pcs	
C		Ø 7,0x60 mm Bolt	08 pcs	
D		Bolt	02 pcs	
E		Washer Black	02 pcs	
F		Plastic foot	04 pcs	
G		Hex key 01 pc	H	
				key 01 pc

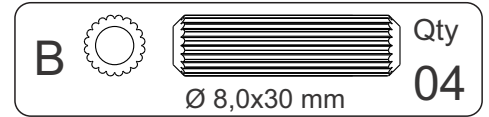
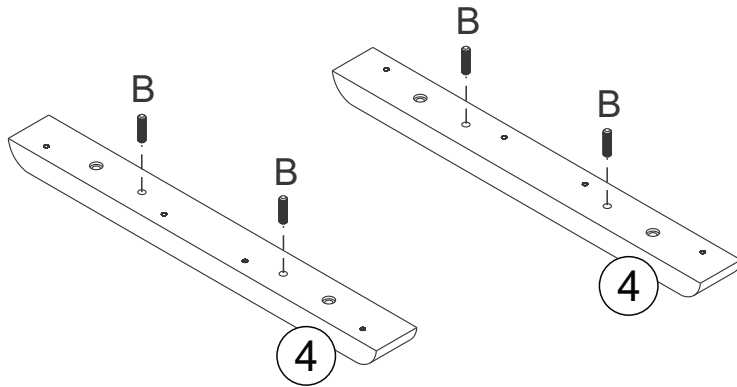


Philips head screwdriver required for assembly
(not included)

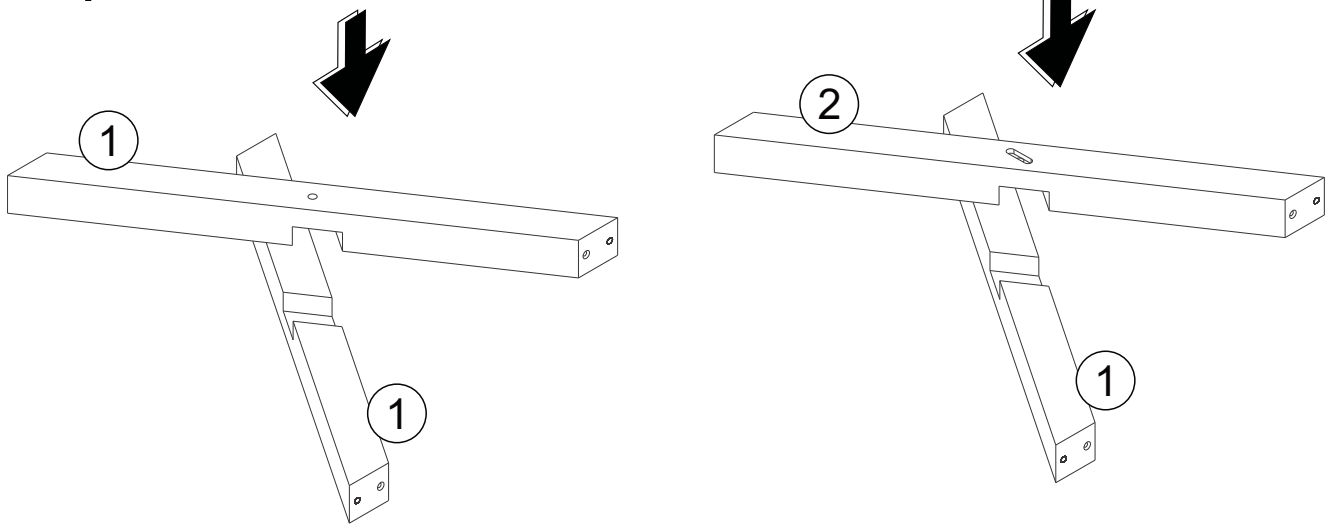
Mallet or hammer recommended for assembly
(not included)

**The hardware quantities listed above are required for proper assembly.
Some extra hardware may also have been included.**

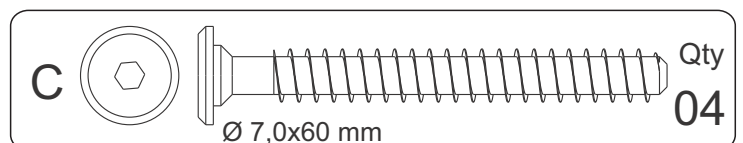
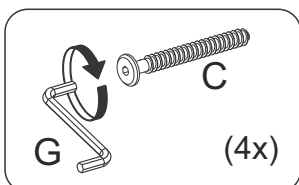
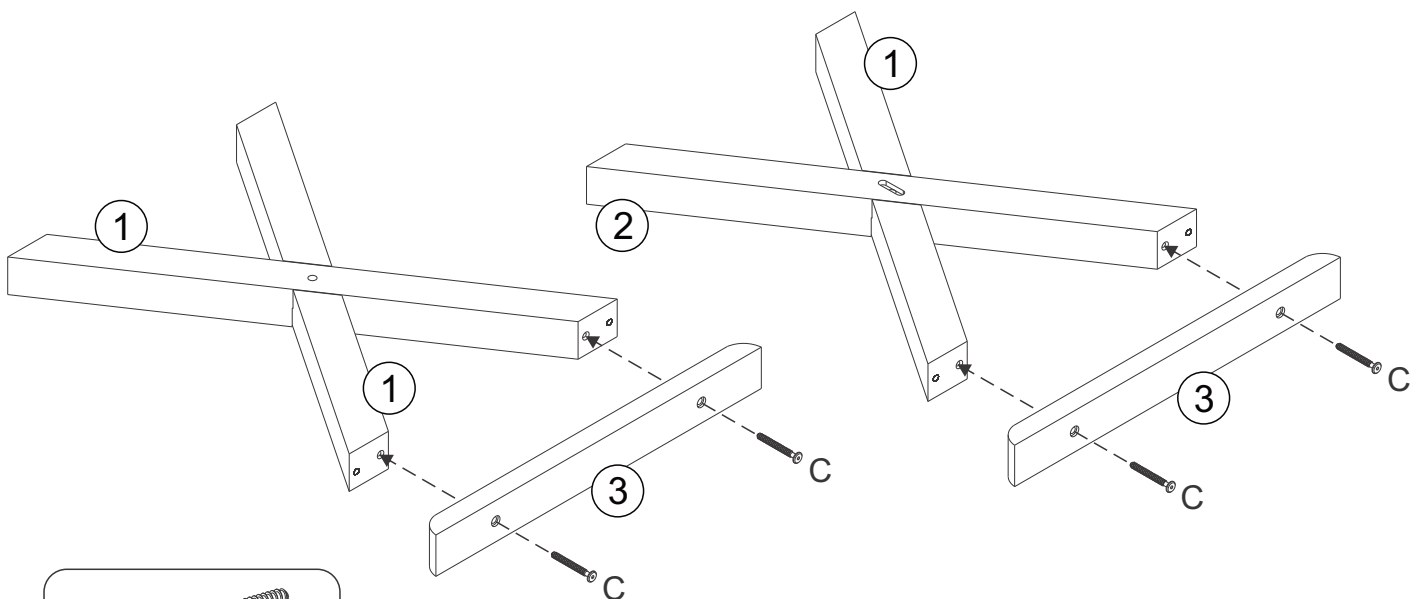
Step 1

 Place Wood Dowels (B) into Part 4

Step 2

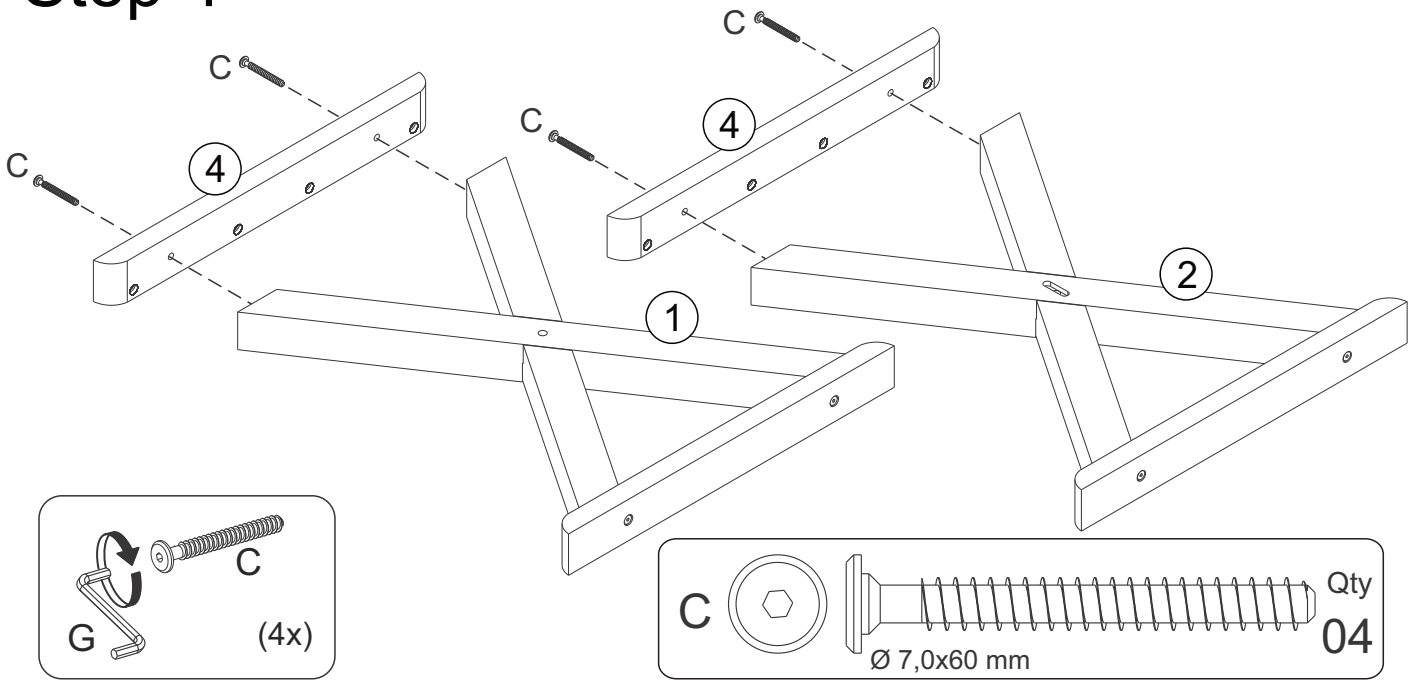
 Connect Parts 1 and 1, 1 and 2

Step 3

 Connect Parts 3 to the crosses using Bolt C

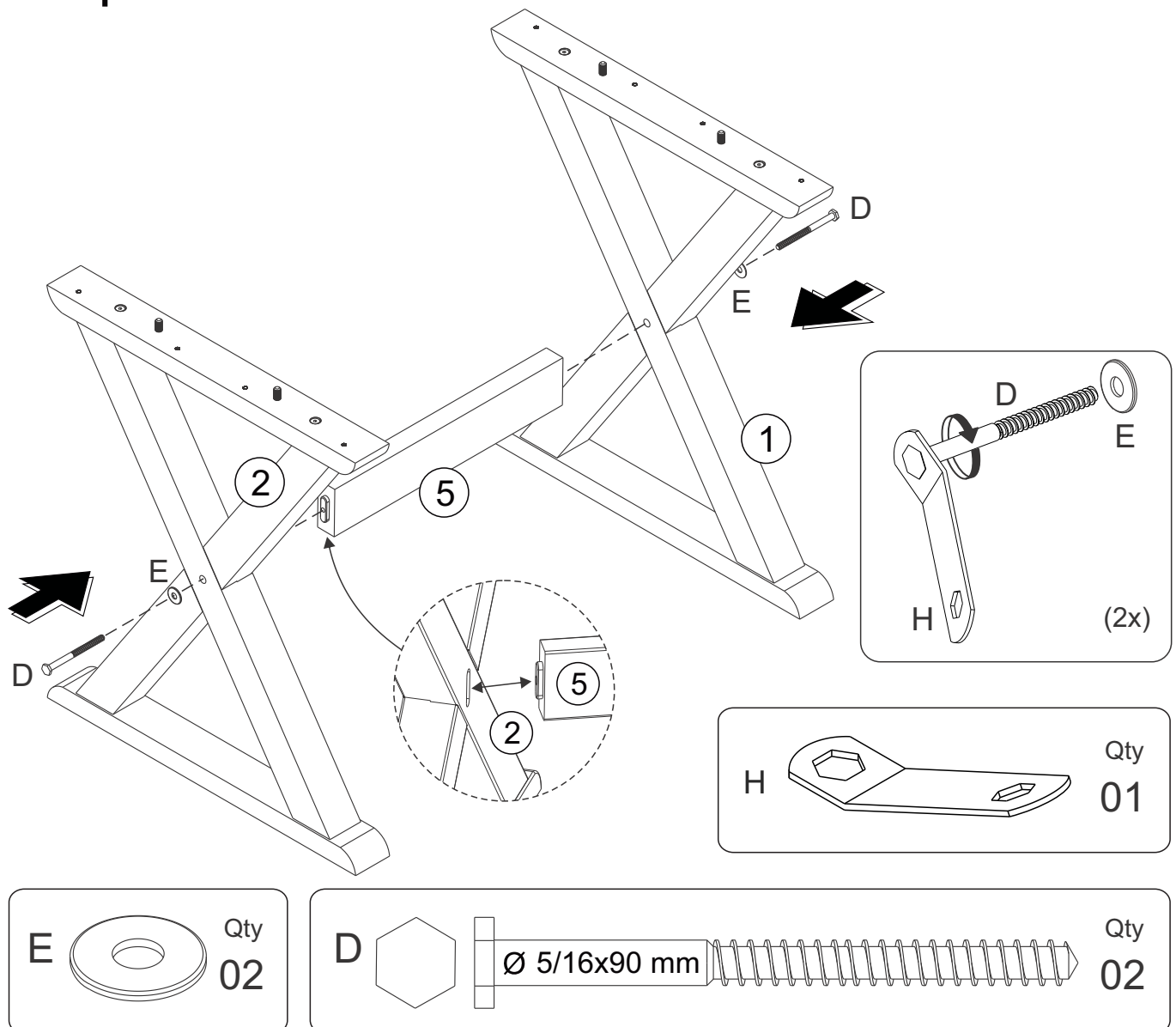
Step 4

Connect Parts 4 to parts 1 and 2 using Bolt C



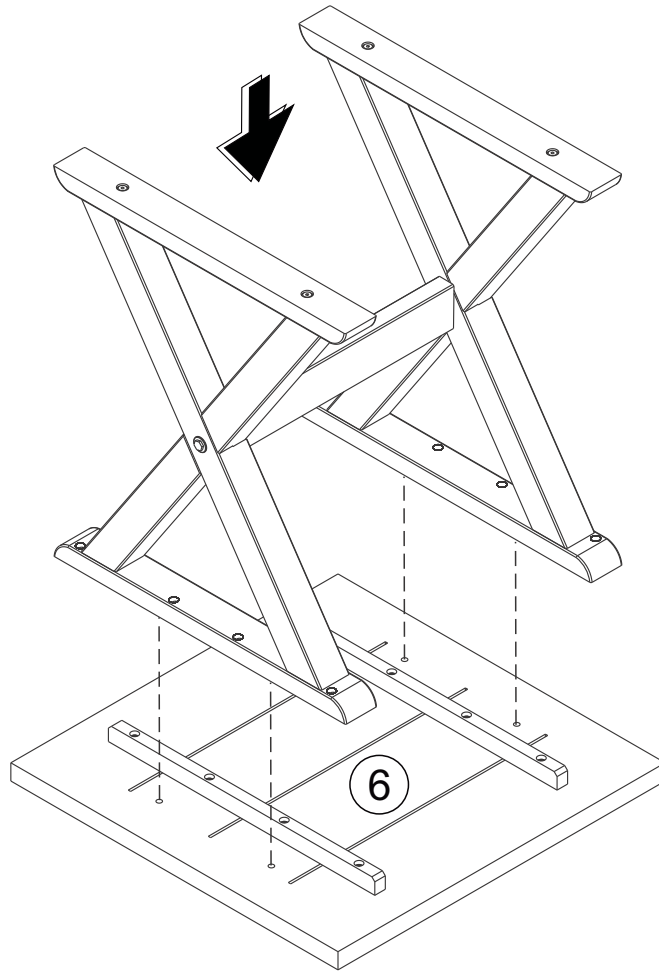
Step 5

Connect both legs using Part 5 using Bolt D and Washer E.



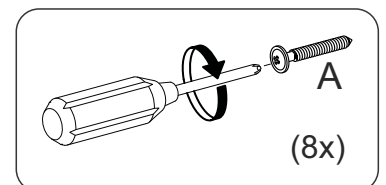
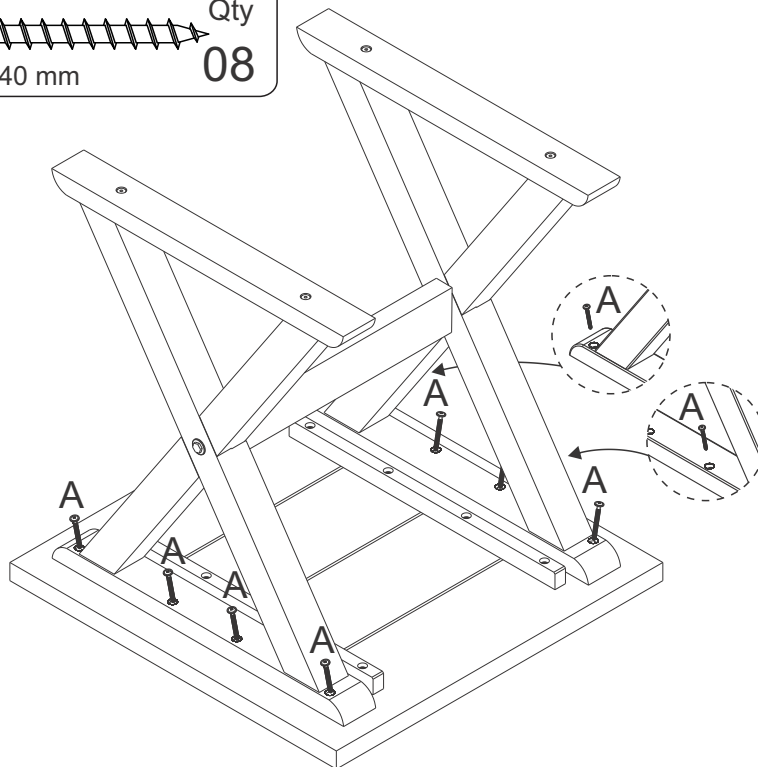
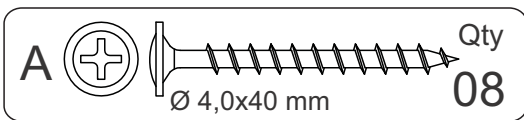
Step 6

Place Legs on Part 6



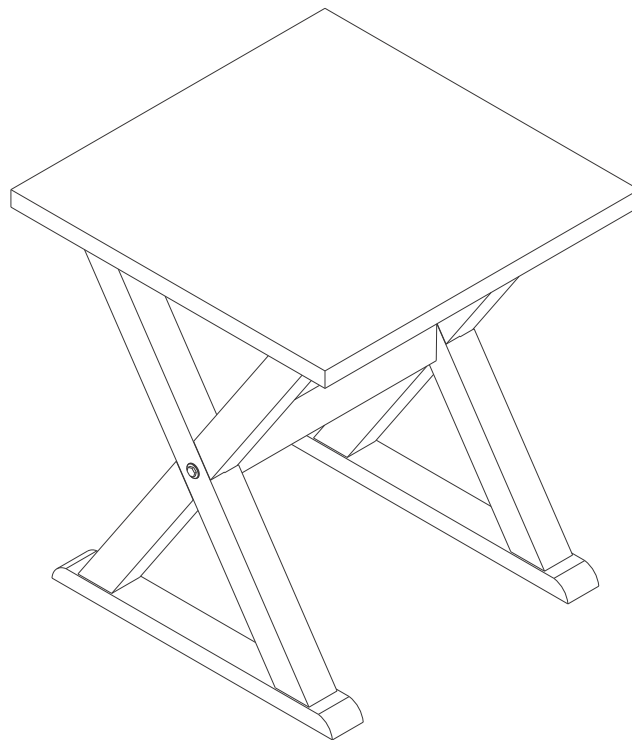
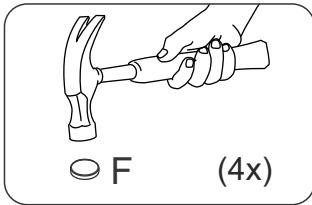
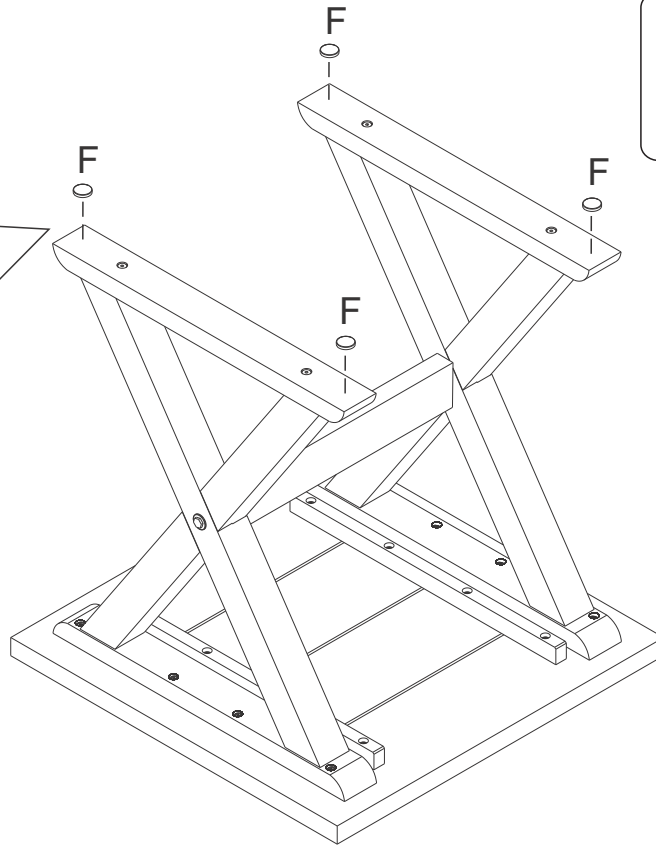
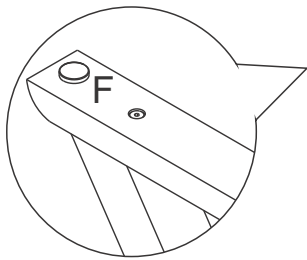
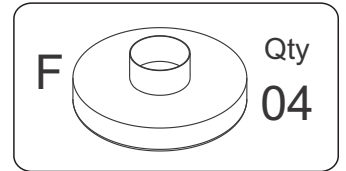
Step 7

Use Screw A to attach legs to part 6



Step 8

Attach Plastic foot F to the bottom of the legs



Final Assembly