

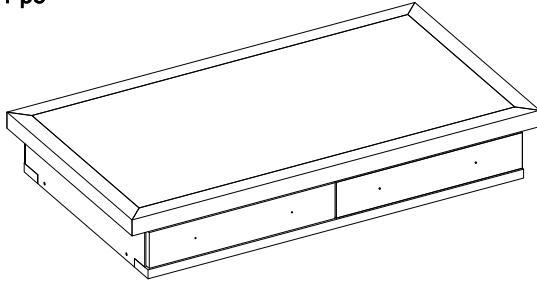
# ASSEMBLY INSTRUCTION

## 5849XXX DESK

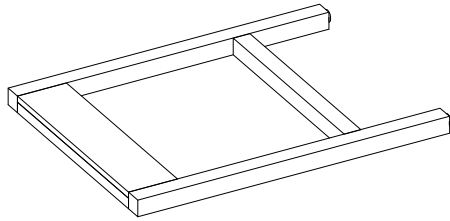
### PART LIST

**DO NOT FULLY TIGHTEN SCREWS AND NUTS UNTIL THE ENTIRE ITEM IS COMPLETELY ASSEMBLED**

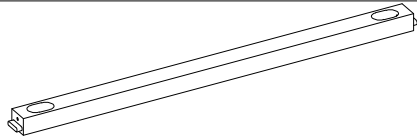
A : 1 pc



B : 2 pcs



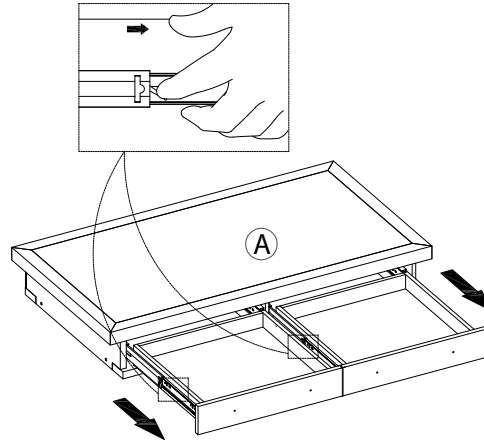
C : 1 pc



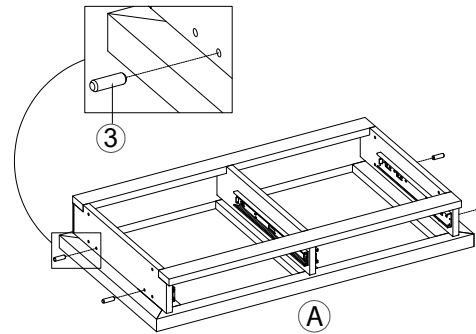
### HARDWARE LIST

NO	QUANTITY	PICTURE	QTY
1	Bolt M6x40		2
2	Bolt M6x35		8
3	Wooden Dowel		4
4	Lock Washer M6		8
5	Washer M6.5x20x2		8
6	Half Moon Washer		2
7	Key		1

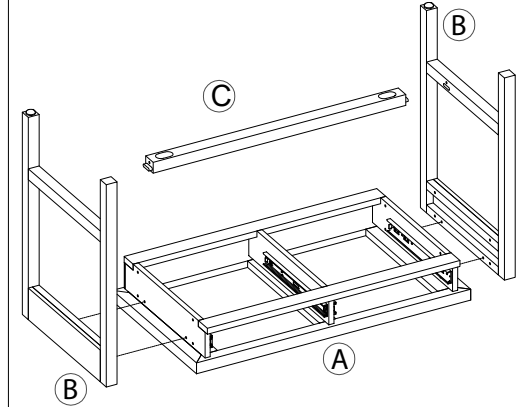
### STEP: 1



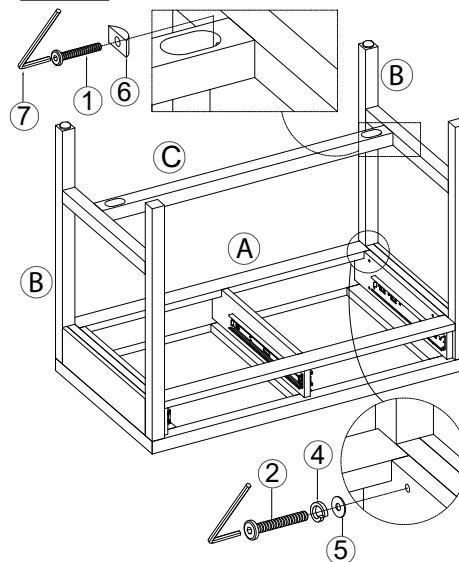
### STEP: 2



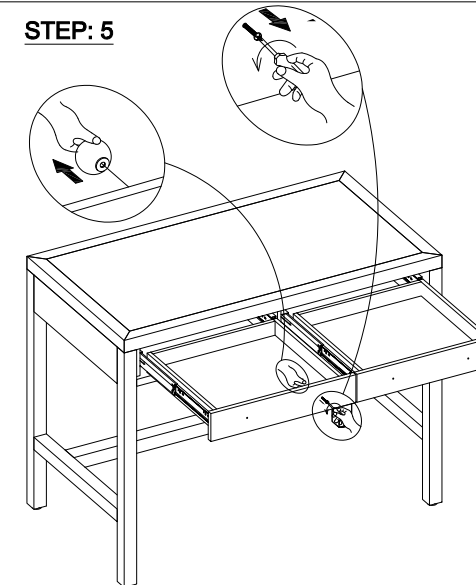
### STEP: 3



### STEP: 4



### STEP: 5



### STEP: 6

