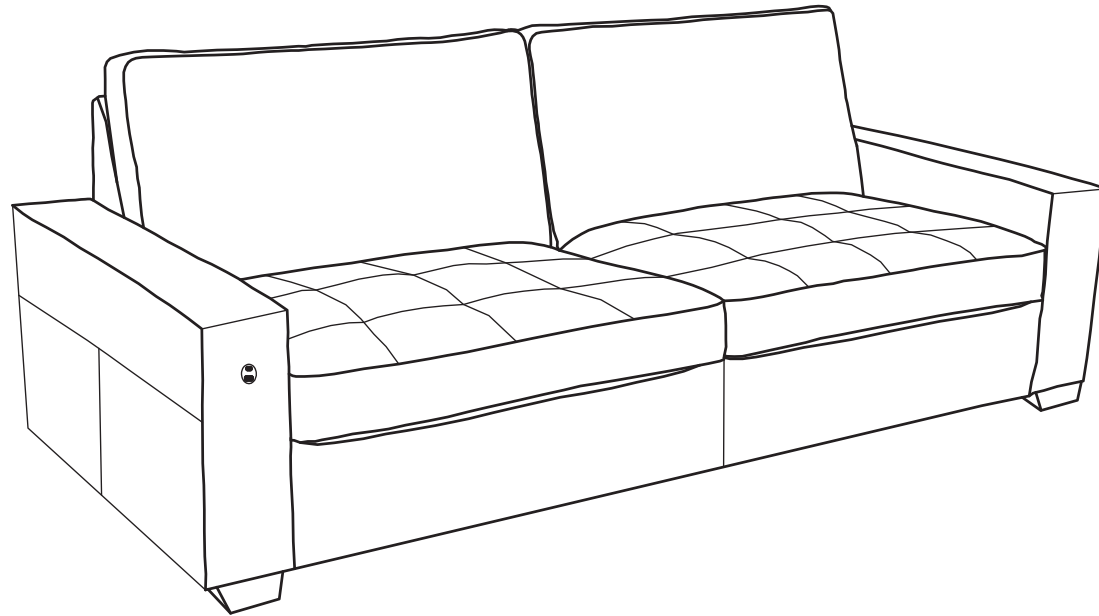


# Assembly Instructions

## Modern Sofa Couch with USB Ports




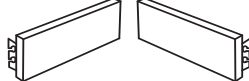
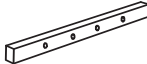
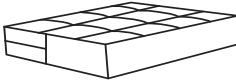
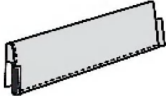


***Note:***

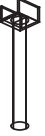
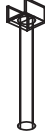
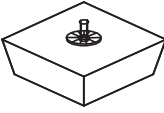
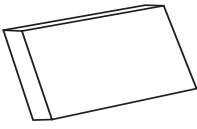
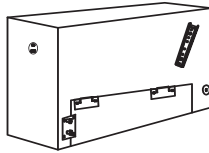
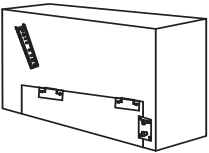

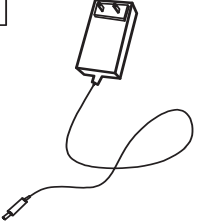





- 1. Please confirm all parts correct before assemble***
- 2. Plug power cord into outlet before using USB port charging function***

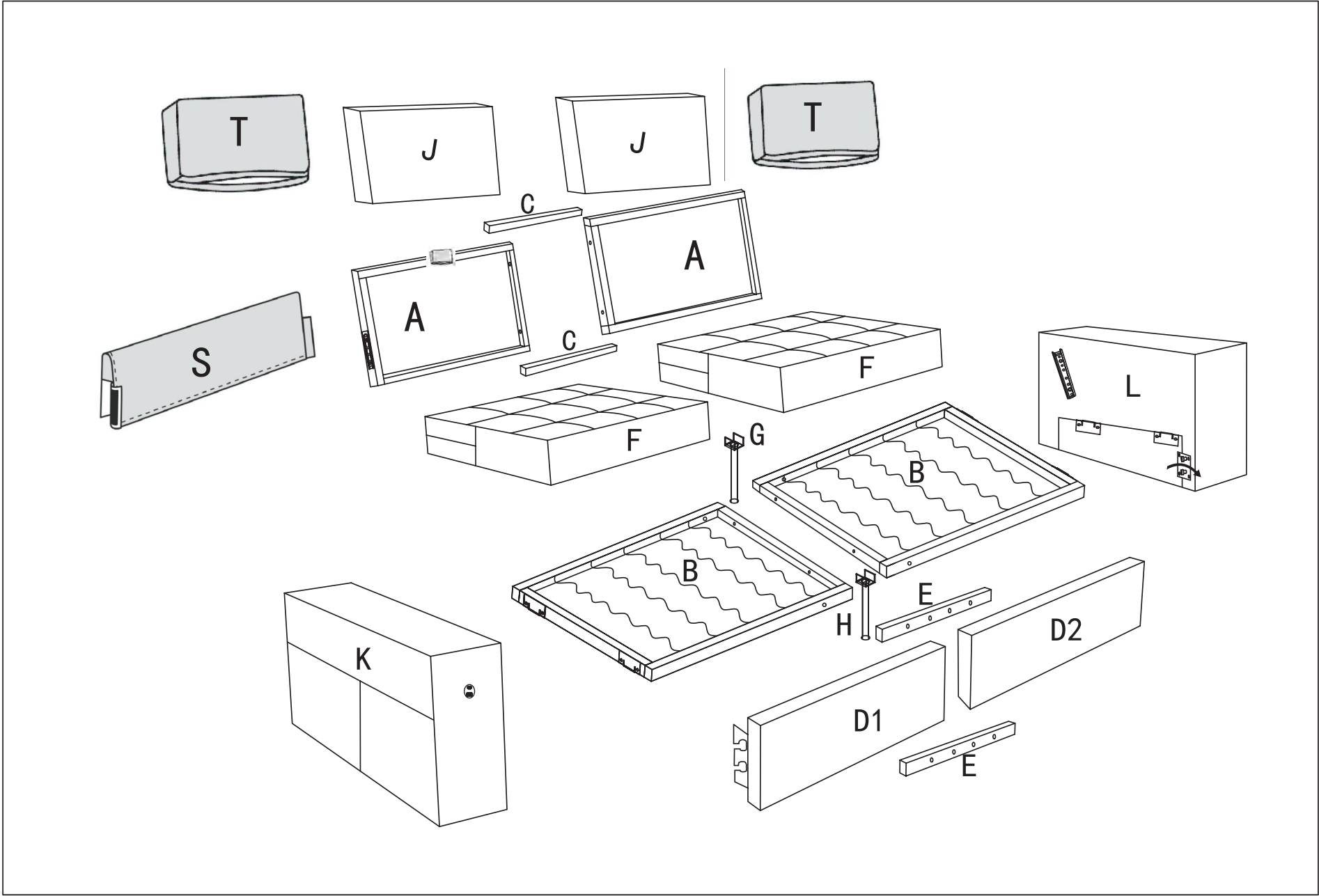
# PART LIST

## BOX-1/2

<p><b>A</b></p>  <p>x2</p>	<p><b>B</b></p>  <p>x2</p>	<p><b>C</b></p>  <p>x2</p>	<p><b>D</b></p>  <p>x2</p>	<p><b>E</b></p>  <p>x2</p>	<p><b>F</b></p>  <p>x2</p>	<p><b>S</b></p>  <p>x1</p>
Back bracket	Seat frame	back frame connector	Couch Front Panel	Front seat frame connector	Seat cushion	Backrest cover

## BOX-2/2

<p><b>G</b></p>  <p>170mm x1</p>	<p><b>H</b></p>  <p>185mm x1</p>	<p><b>I</b></p>  <p>x4</p>	<p><b>J</b></p>  <p>x2</p>	<p><b>K</b></p>  <p>x1</p>	<p><b>L</b></p>  <p>x1</p>	<p><b>M</b></p>  <p>x4</p>
Middle leg	Middle leg	Feet	Back cushion	Armrest L/R	Armrest L/R	Butterfly Nut
<p><b>N</b></p>  <p>x1</p>	<p><b>O</b></p>  <p>M8*80mm x2</p>	<p><b>P</b></p>  <p>M8*35mm x8</p>	<p><b>Q</b></p>  <p>M6 x1</p>	<p><b>R</b></p>  <p>M8*50mm x4</p>	<p><b>T</b></p>  <p>x2</p>	
Power cord	Bolt	Bolt	Allen Key	Bolt	Back cushion cover	

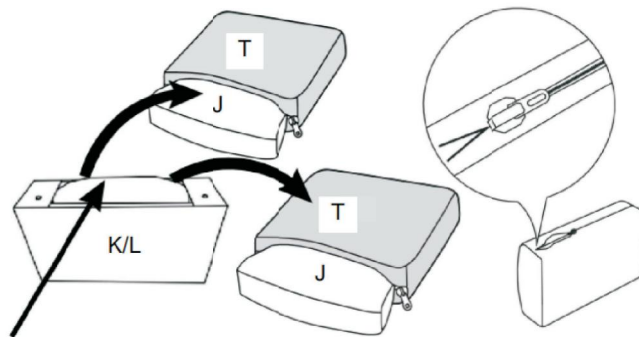


Step 1. Take out the back cushion interiors from the Left Armrest(K) and Right Armrest(L), then put them into the back cushion covers.

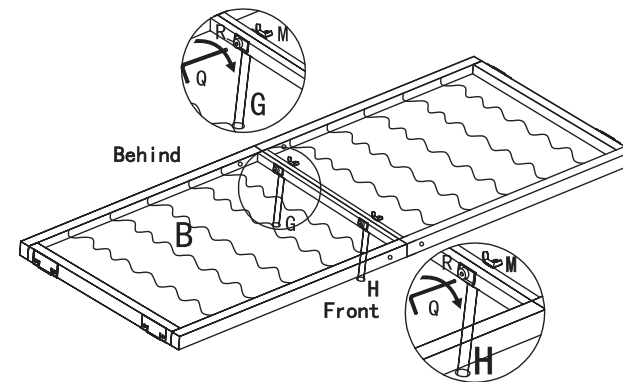
Step 2. Align the two parts of each Seat Frame(B) with holes, and then connect them with Bolt(R) and Butterfly Nut(M).

Step 3. Place the sofa feet at the bottom of the armrest.

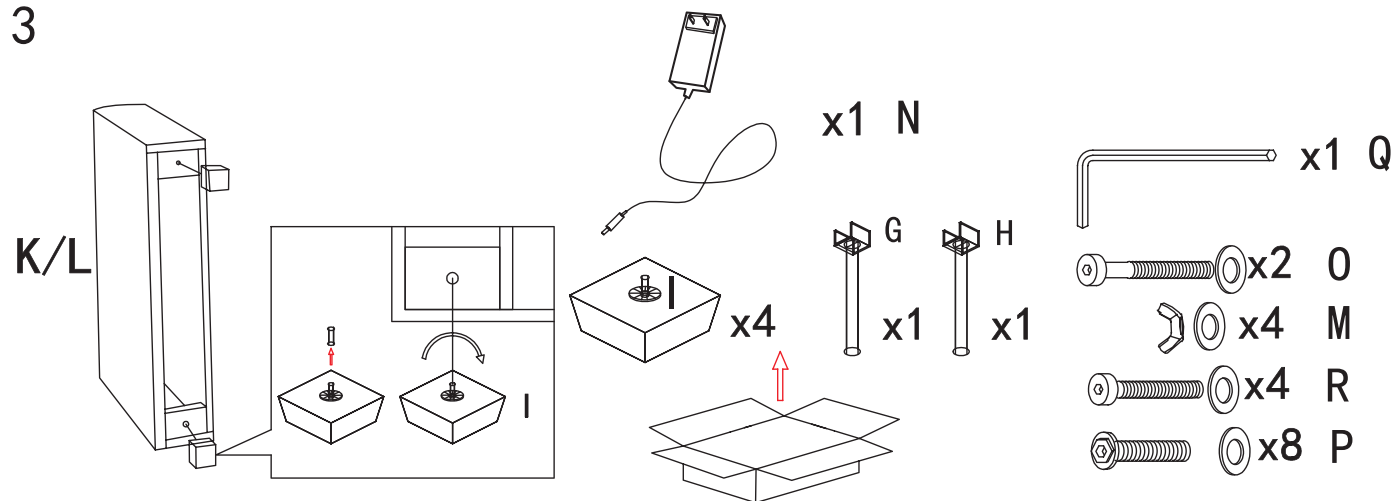
1



2



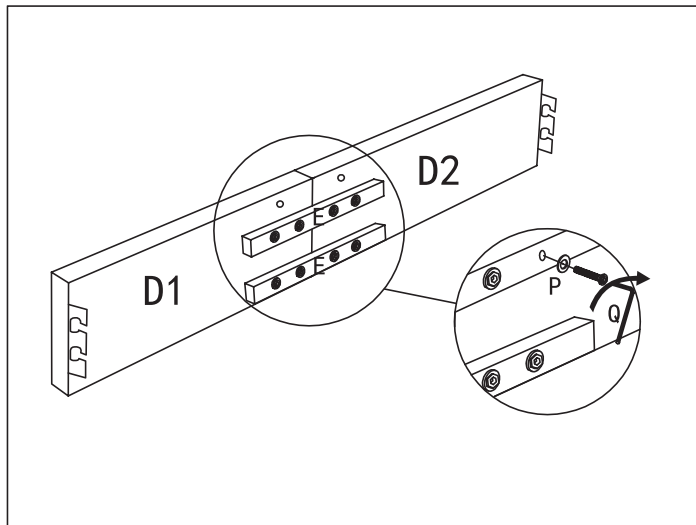
3



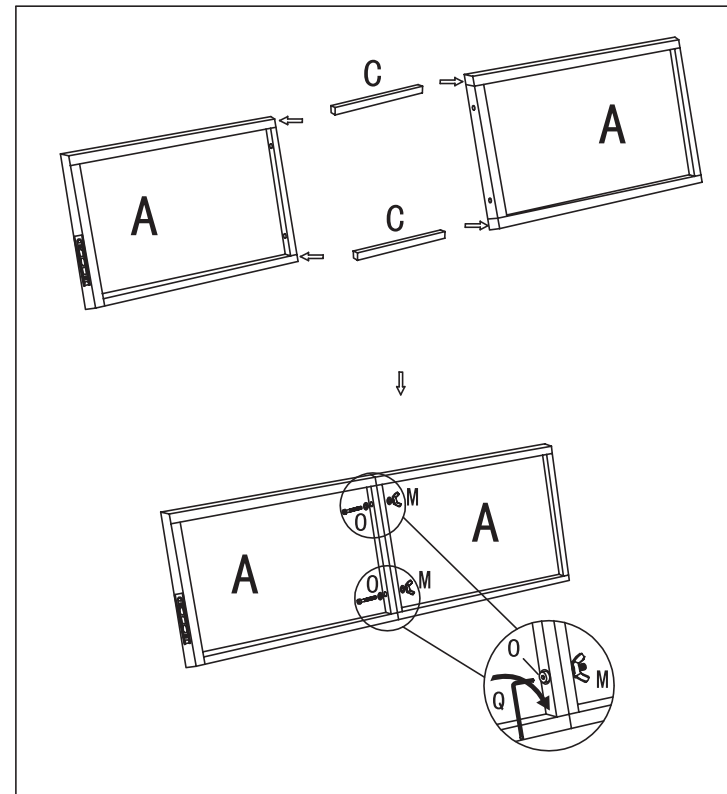
Step 4. Connect the Couch Front Panel(D) horizontally and Fix the two Front seat frame connectors (E) on Front panel(D) with Bolts (P)

Step 5. Place the two Back bracket(A) symmetrically, insert and fix them with two Back frame connector(C), and tighten them with the Butterfly nut(M)

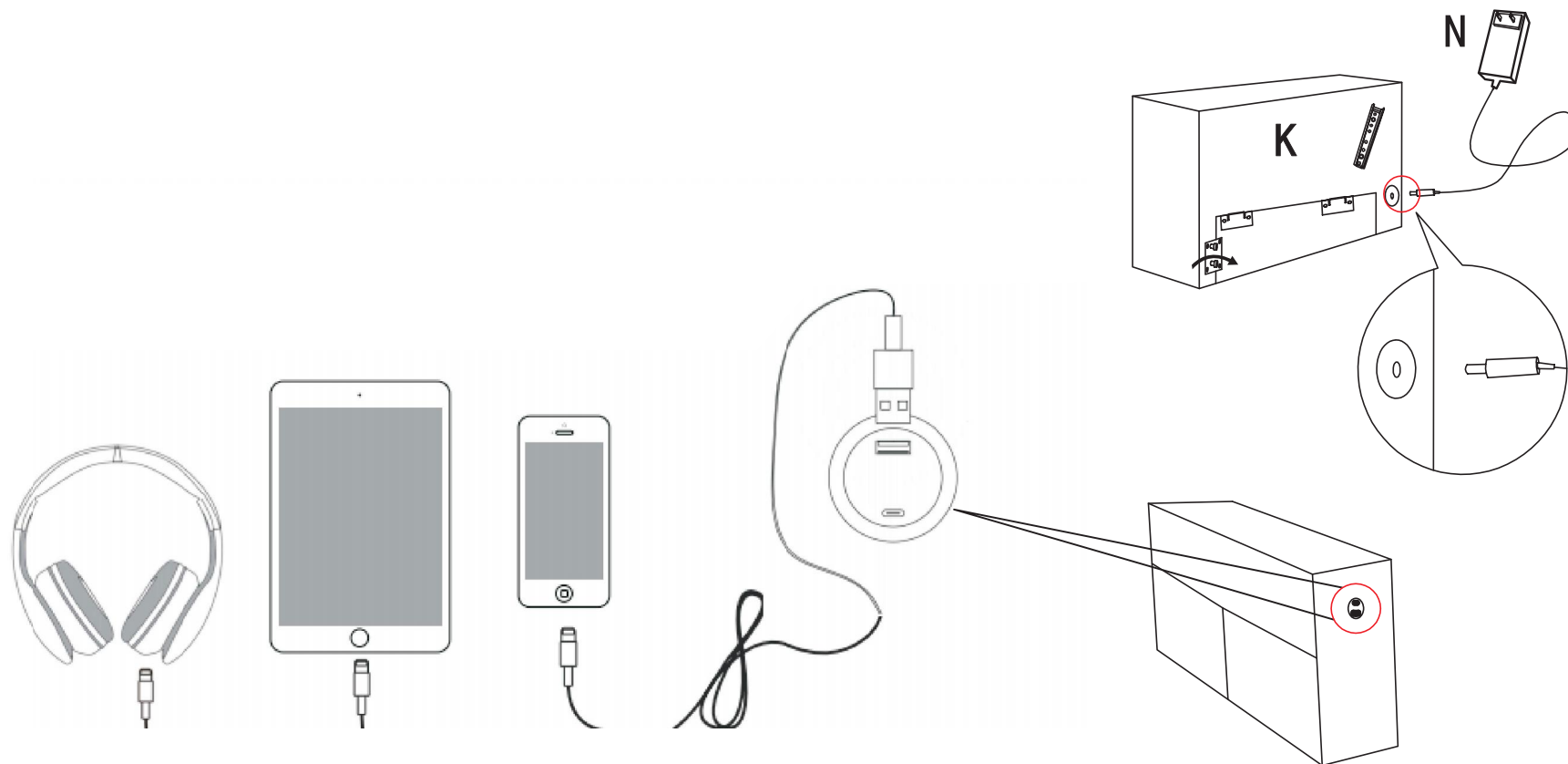
4



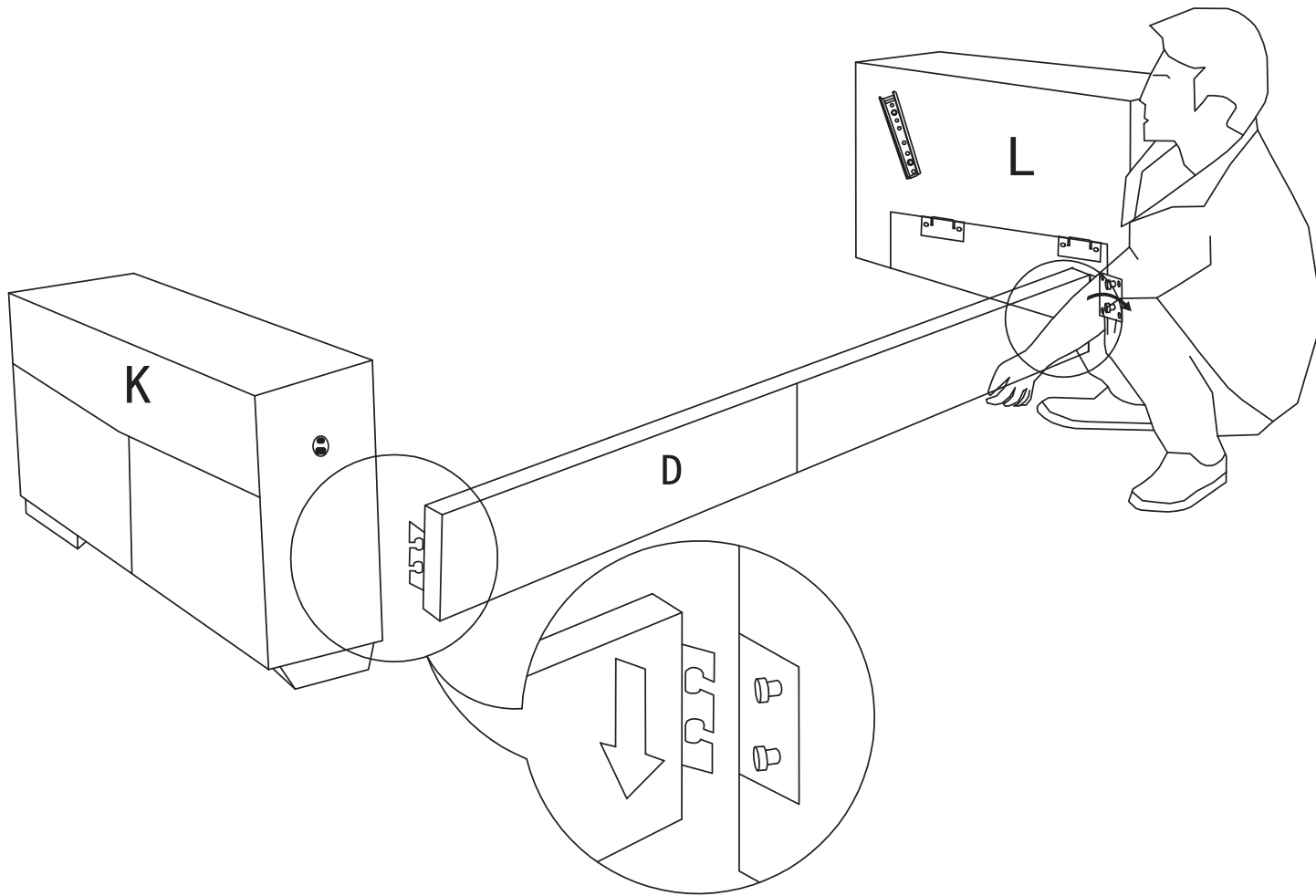
5



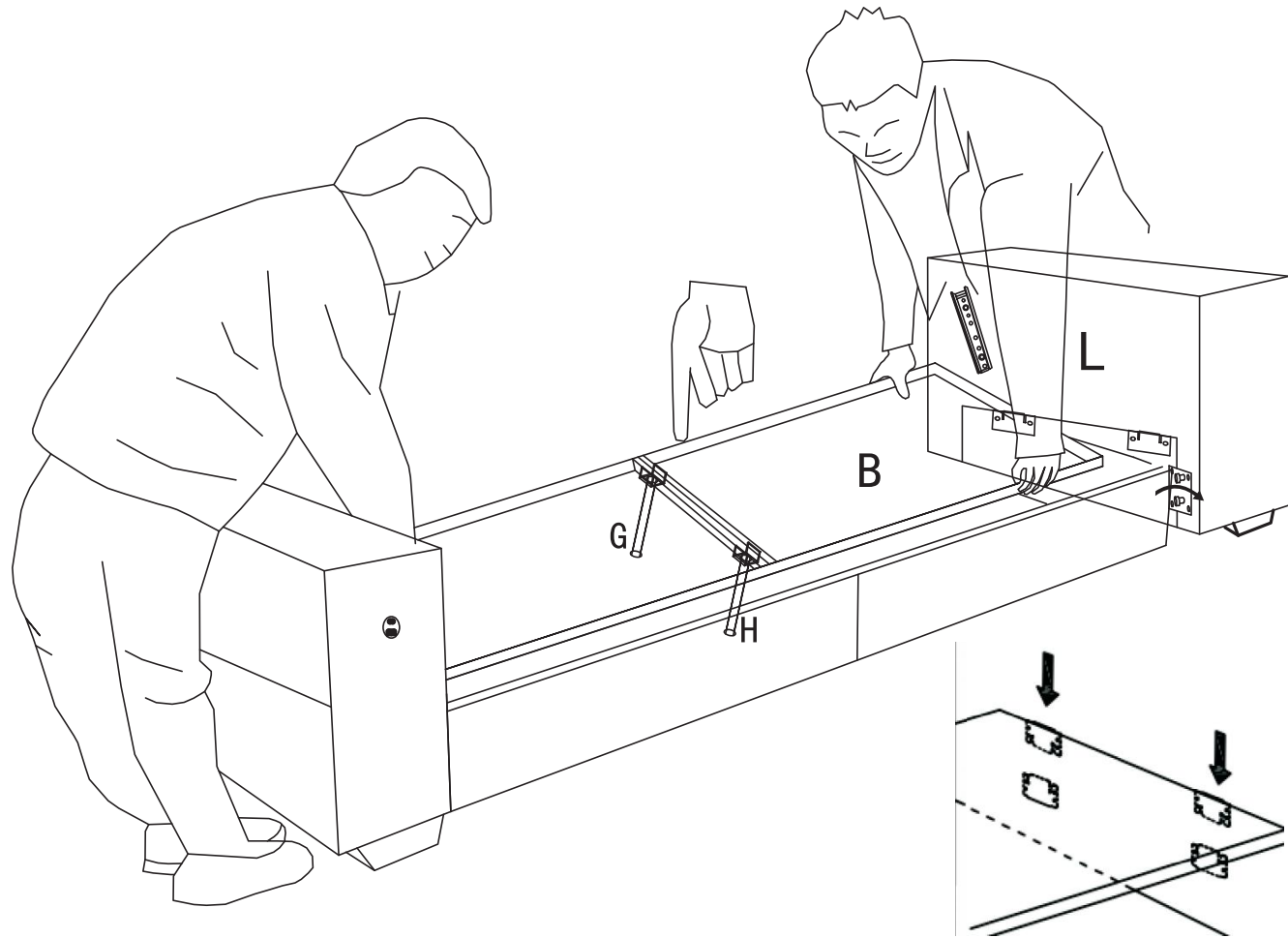
Step 6. Connect the Power Cord(N) with Left Armrest(K).  
The dual USB outlets(5V2A + Type C) on Left Armrest(K) can keep your devices charging.



Step 7. Make the metal buckles aligned and Connect the Couch Front panel(D) with Left armrest(K) and Right armrest(L).

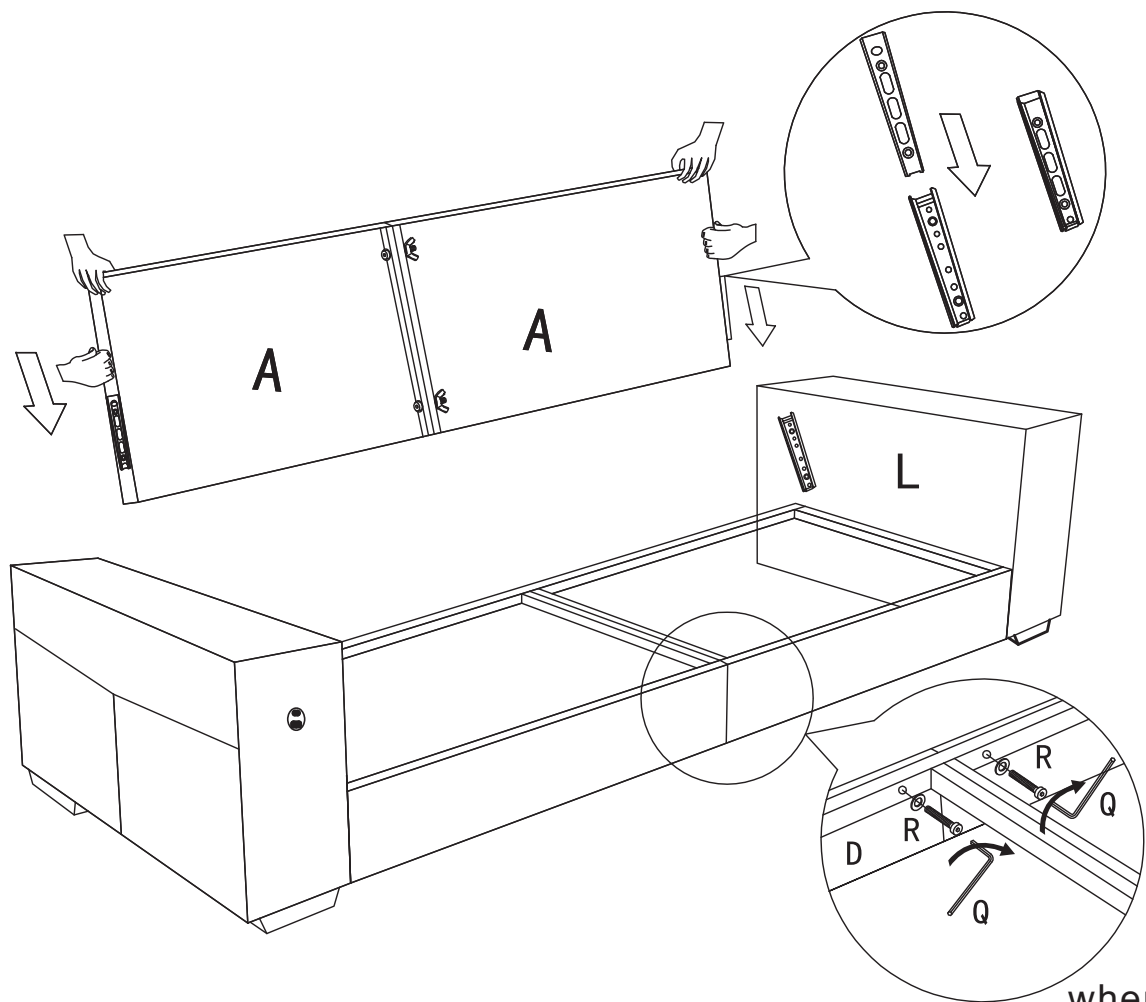


Step 8. Connect the Seat Frame(B) with two Armrests(K&L), make the Middle Leg(G&H) under the below. (Please note the position of G and H)



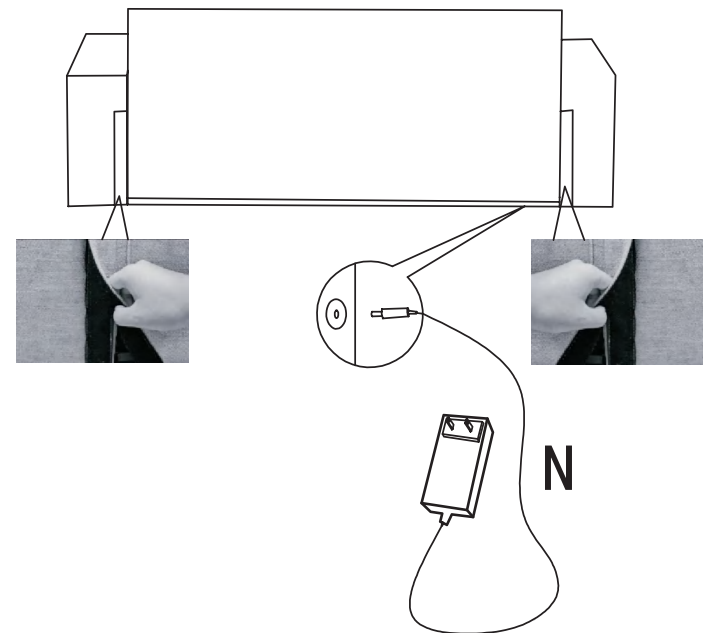
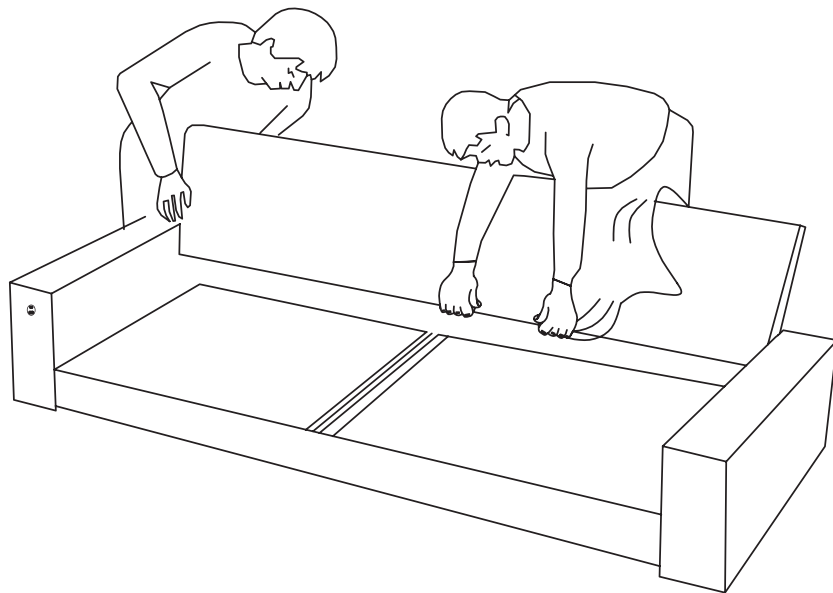
Push Frame B into the bottom of the metal buckles

Step 9. Connect the Back Bracket(A) with Left Armrest(K) and Right Armrest(L),  
Make sure to push the Back Bracket(A) into the bottom of the metal buckles.



when you assemble D,  
please lift it up a little bit

Step 10. Take the cover of backrest out of the armrest. Put the cover over the backrest.  
Attach the Velcro tapes over armrests and the bottom of backrest



Step 11. Put the Seat Cushions(F) and Back Cushions(J) on.

