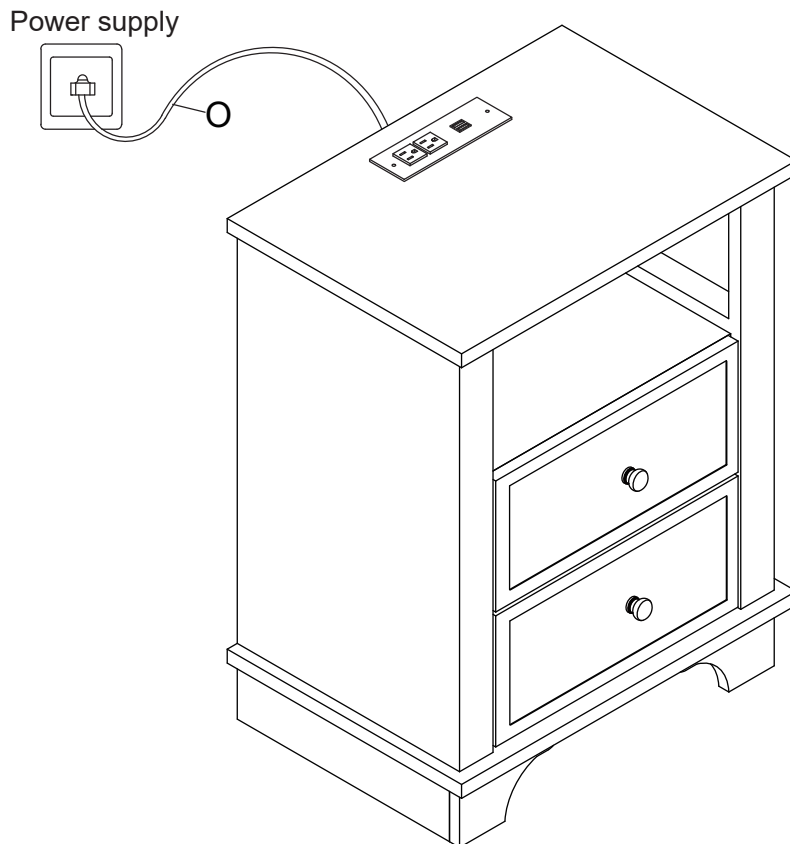


NIGHTSTAND

ASSEMBLY INSTRUCTION



Thank you for purchasing!

Please contact us via email if parts are missing or damaged, we will gladly ship your replacement parts free of charge.

! **IMPORTANT**

THIS INSTRUCTION BOOKLET CONTAINS IMPORTANT SAFETY INFORMATION.
PLEASE READ AND KEEP FOR FUTURE REFERENCE.

RETURN & WARRANTY

Thank you for choosing our product!

We would like to take this opportunity to thank you for choosing

We hope that you are completely satisfied with your purchase, and enjoy it for years to come.

Your satisfaction is our highest pursuit.

Return policy

We believe you will absolutely love your furniture, but if for some reason you want to return the product, please contact us directly before you decide to return your product to the retailer. Our Customer Service organization can answer most concerns and can assist you with any questions you may have about your new product.

The item must be returned in good condition, in original box, with all original proof of purchase, parts and accessories, within the time frame specified by the retailer it was purchased from.

Warranty

We warrant this product to be free from defects in material and workmanship and agrees to remedy any such defect. This warranty covers one year from the date of original purchase. This is solely limited to be repair or replacement of defective parts and no assembly labor is included.

This warranty does not apply to any product which has been improperly assembled, subjected to misuse or abuse or which has been altered or repaired in any way.

Components repaired or replaced warranted through the remainder of the original warranty period only. The defective components will be repaired or replaced without charge, subject to the terms and conditions described above.

For help with assembly, identifying parts, product information or to order parts, please contact us freely.

BEFORE STARTING

Before Using Product



- Read each step carefully before starting. It is very important that each step is performed in the correct order. If these steps are not followed in sequence, assembly difficulties will occur.



- Make sure all parts are included. Most board parts are labeled or stamped on the raw edge.

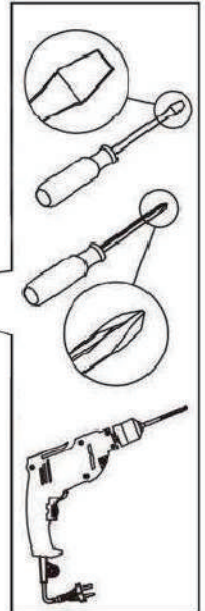
- Prepare a flat and Philips screwdriver (not included)
A Power Screwdriver is recommended.



- Work in a spacious area and near where the unit will be used, preferably on a carpet, or use a piece of the cardboard packaging to protect your floor and product.



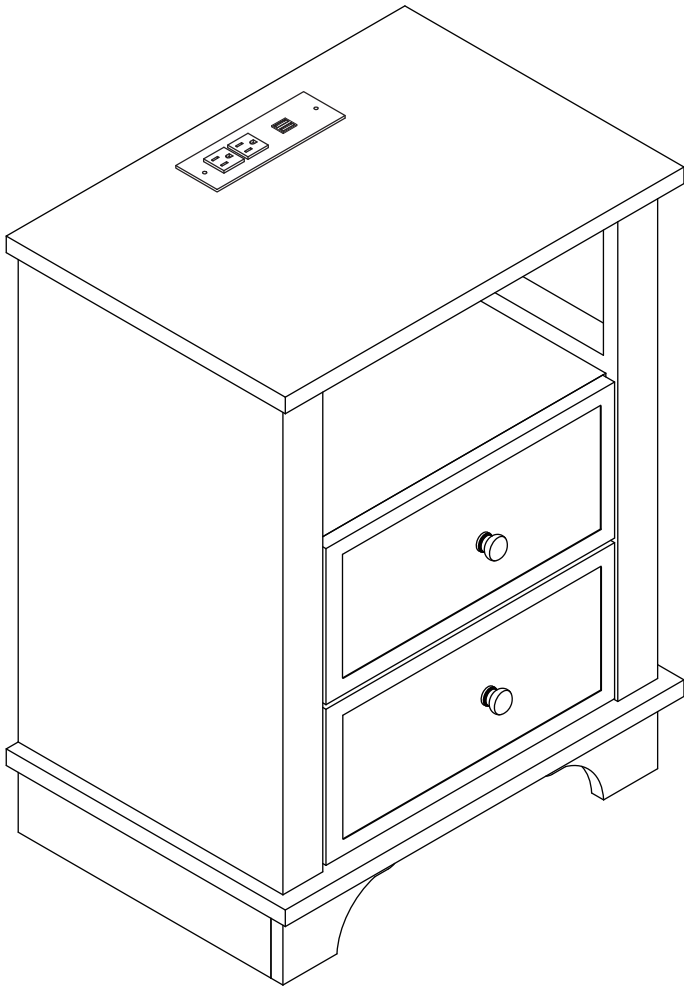
- For a smooth assembly process, we suggest you keep a lite tightness for all the screws during assembly. After the whole product is assembled, firmly tighten all the screws.



! WARNING:

- Do not allow children to climb on unit
- Serious or fatal crushing injuries can occur from furniture tip-over. To prevent this furniture from tipping over, it must be permanently fixed to the wall. Fixing devices for the wall are not included since different wall materials require different types of fixing devices. Use fixing devices suitable for the walls in your home. For advice on suitable fixing systems, contact your local specialized dealer
- Avoid sharp objects or corrosive chemicals to prevent damage to the product
- During assembly, keep parts and packaging materials away from children and pets as there could be potential injury and choking hazards

ASSEMBLY TIPS



OVERALL SIZE:

50 X 35 X 65.5CM
19.69 X 13.78 X 25.79inch

FEATURES:

MDF Board+Solid Wood



Estimated Time for Assembly

3-4 Hours



Estimated People for Assembly

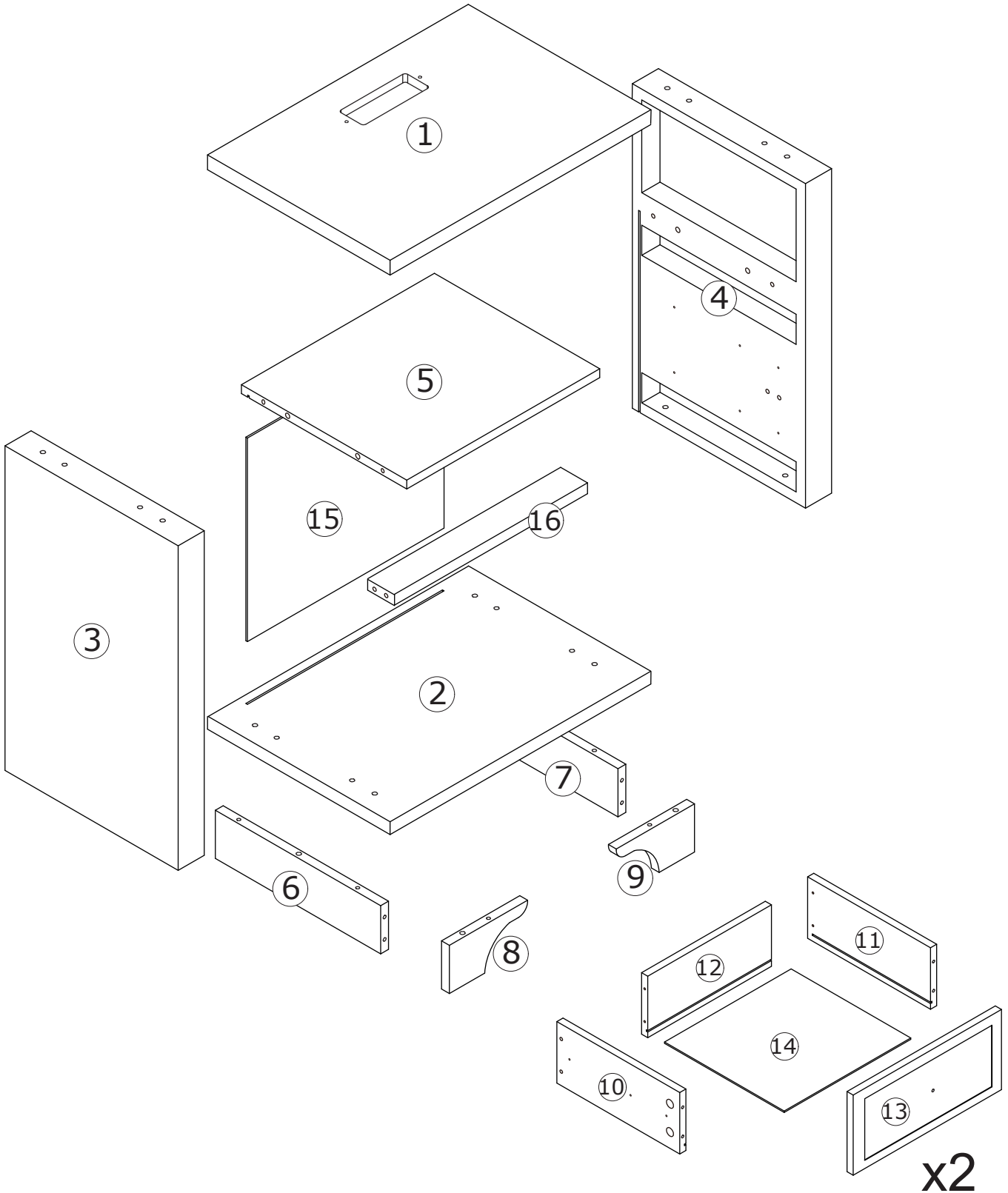
2

Caution:

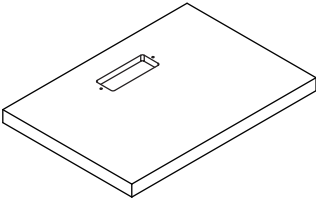
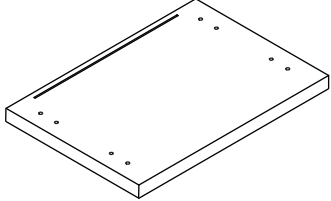
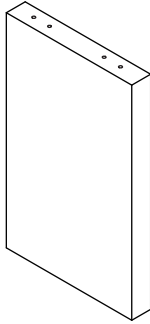
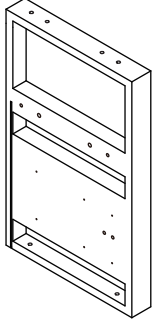
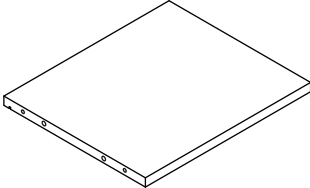
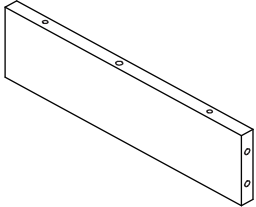
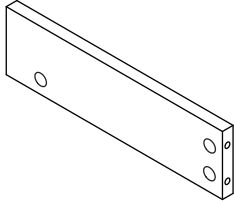
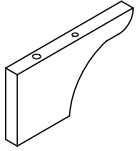
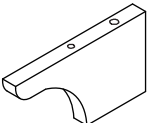
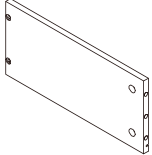
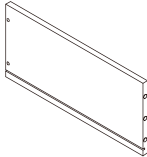
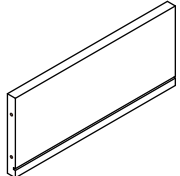
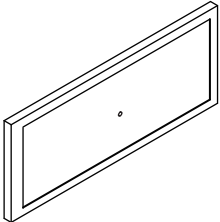
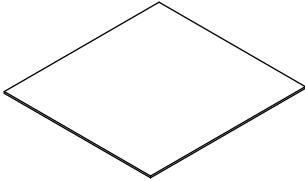
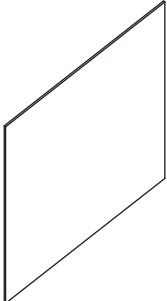
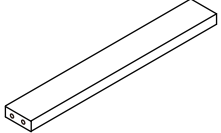
- 1.This product is designed for home use and not intended for commercial use.
- 2.This product contains small compents. Please ensure that they are kept away from samll childern.
- 3.Be careful when using power tools to assemble your furniture. Power tools may strip or damage the parts.

IDENTIFY PARTS

One unit per box

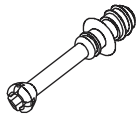


COMPONENTS

 <p>500x350x24mm Top Panel x1</p>	 <p>486x343x24mm Bottom Panel x1</p>	 <p>329x531x60mm Left Side Panel x1</p>	 <p>329x531x60mm Right Side Panel x1</p>
 <p>336x310x15mm Panel x1</p>	 <p>310x71x18mm Leg Panel x1</p>	 <p>310x71x18mm Leg Panel x1</p>	 <p>131x71x18mm Leg Panel x1</p>
 <p>131x71x18mm Leg Panel x1</p>	 <p>280x135x12mm Drawer Left Panel x2</p>	 <p>280x135x12mm Drawer Right Panel x2</p>	 <p>288x135x12mm Drawer Back Panel x2</p>
 <p>332x173x18mm Drawer Front Panel x2</p>	 <p>298x277x5mm Drawer Bottom Panel x2</p>	 <p>347x347x5mm Back Panel x1</p>	 <p>336x55x15mm Connecting Panel x1</p>

COMPONENTS

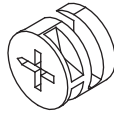
A



M6X35mm

Cam Bolt x26

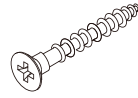
B



15x15x9.5mm

Cam Lock x26

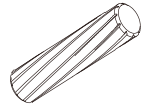
C



M4X30mm

Long Screw x8

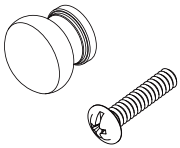
D



M8X30mm

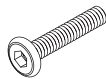
Wood Dowel x16

E



Knob & Knob Screw x2

F



M8X35mm

Long Bolt x4

G



L280mm

Metal Slide x4

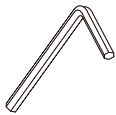
H



M3X10mm

Short Screw x26

I



5X5mm

Allen Wrench x1

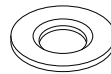
J



M8X30mm

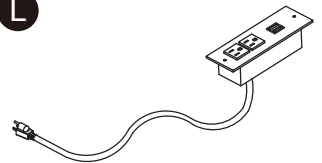
Short Bolt x4

K



Washer x8

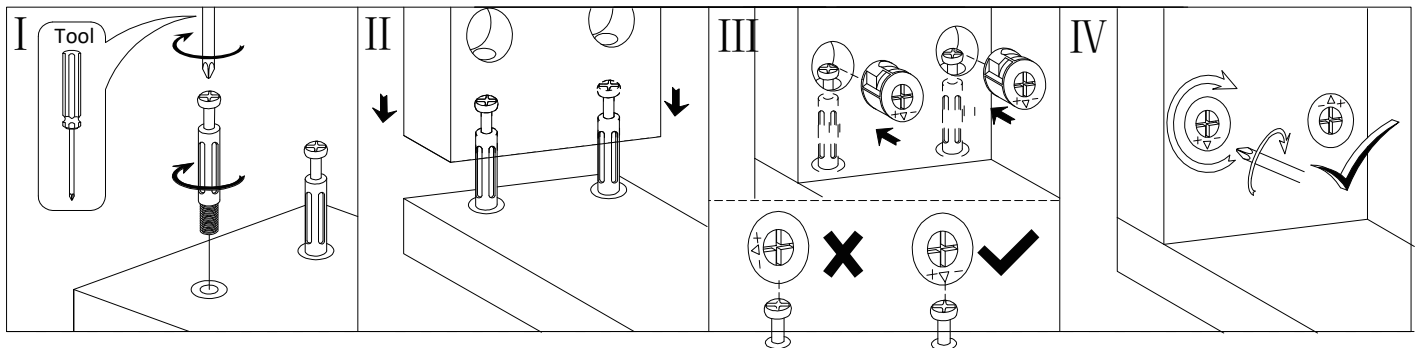
L



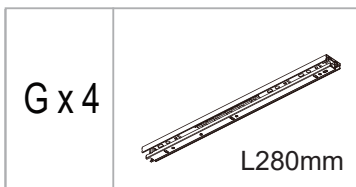
Power Strip x1

Assembly guide for cam bolt (A) and cam lock (B)

Make sure to align the arrow of the cam lock with the direction of the bolt head. Do not over tighten.



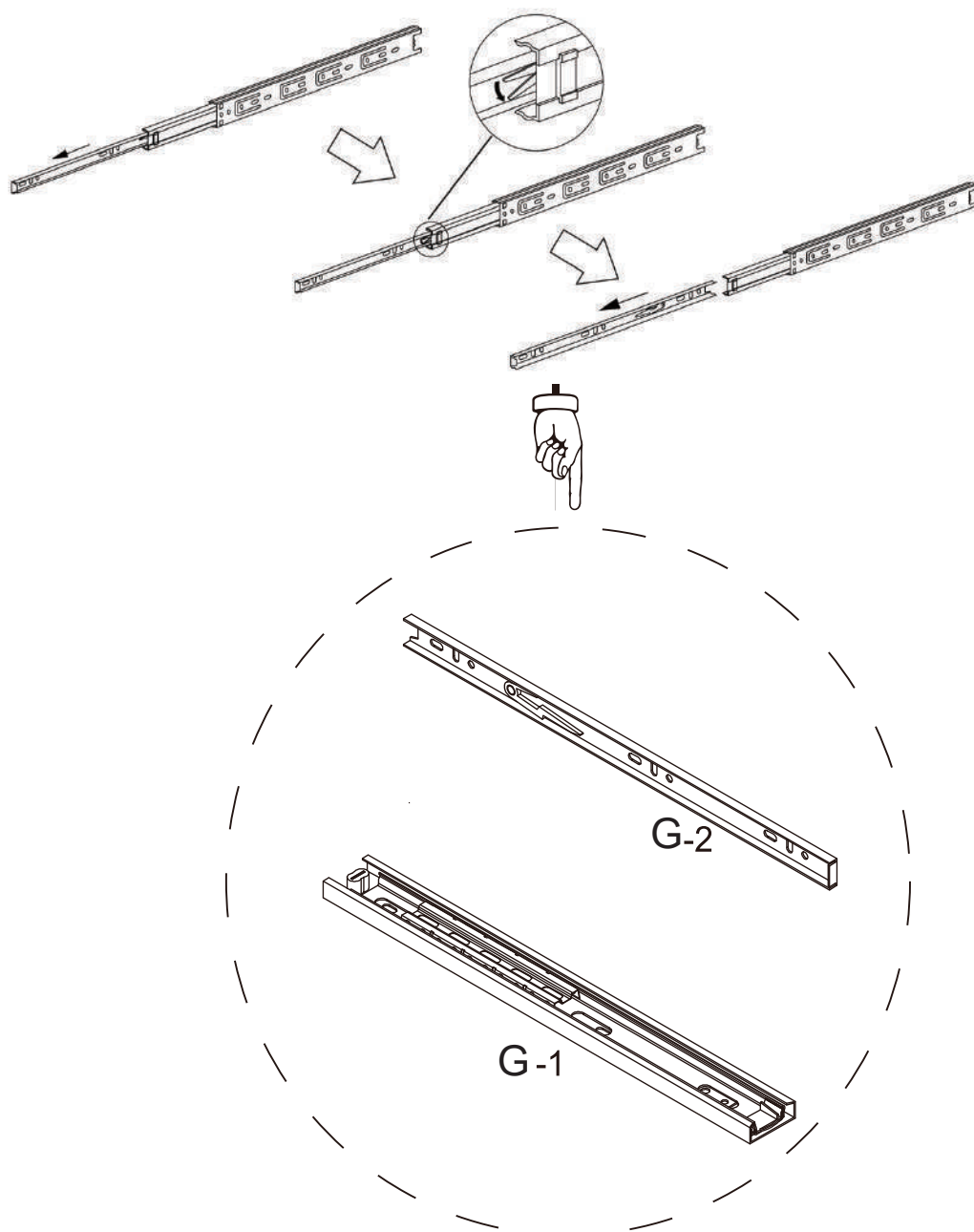
ASSEMBLY STEPS



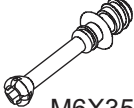


STEP 1

Press down the lever on the metal slide (G) to divide it into two parts, G-1 and G-2.

Hardware disassembly example

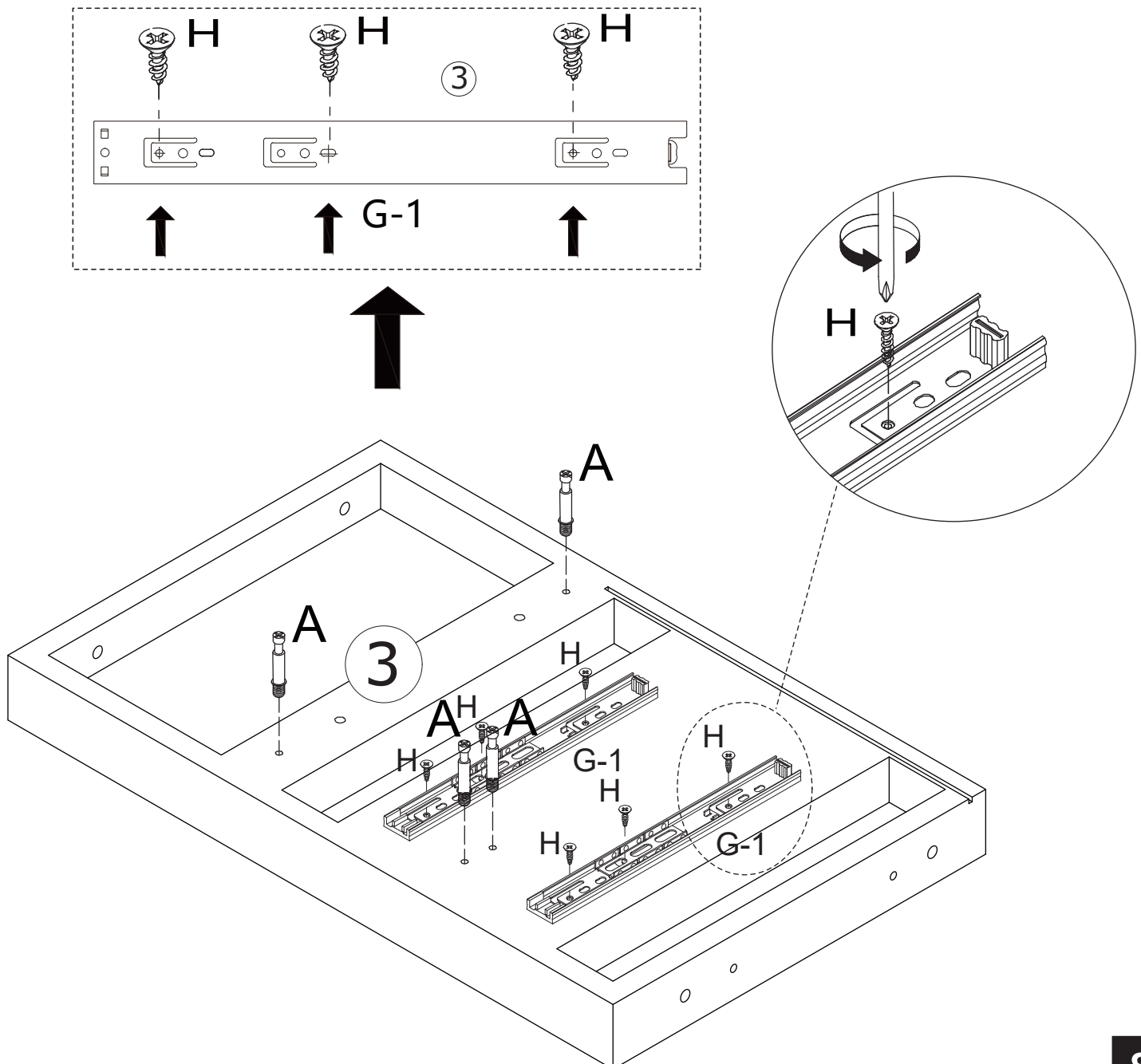


ASSEMBLY STEPS

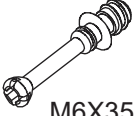


A x 4	 M6X35mm	G x 2	 G-1	H x 6	 M3X10mm
-------	--	-------	--	-------	---

STEP 2

1. Fix the metal slide (G-1) with short screw (H) in the correct hole position on the left side panel (3).
2. Screw the bolt (A) into the left side panel (3) as shown below.

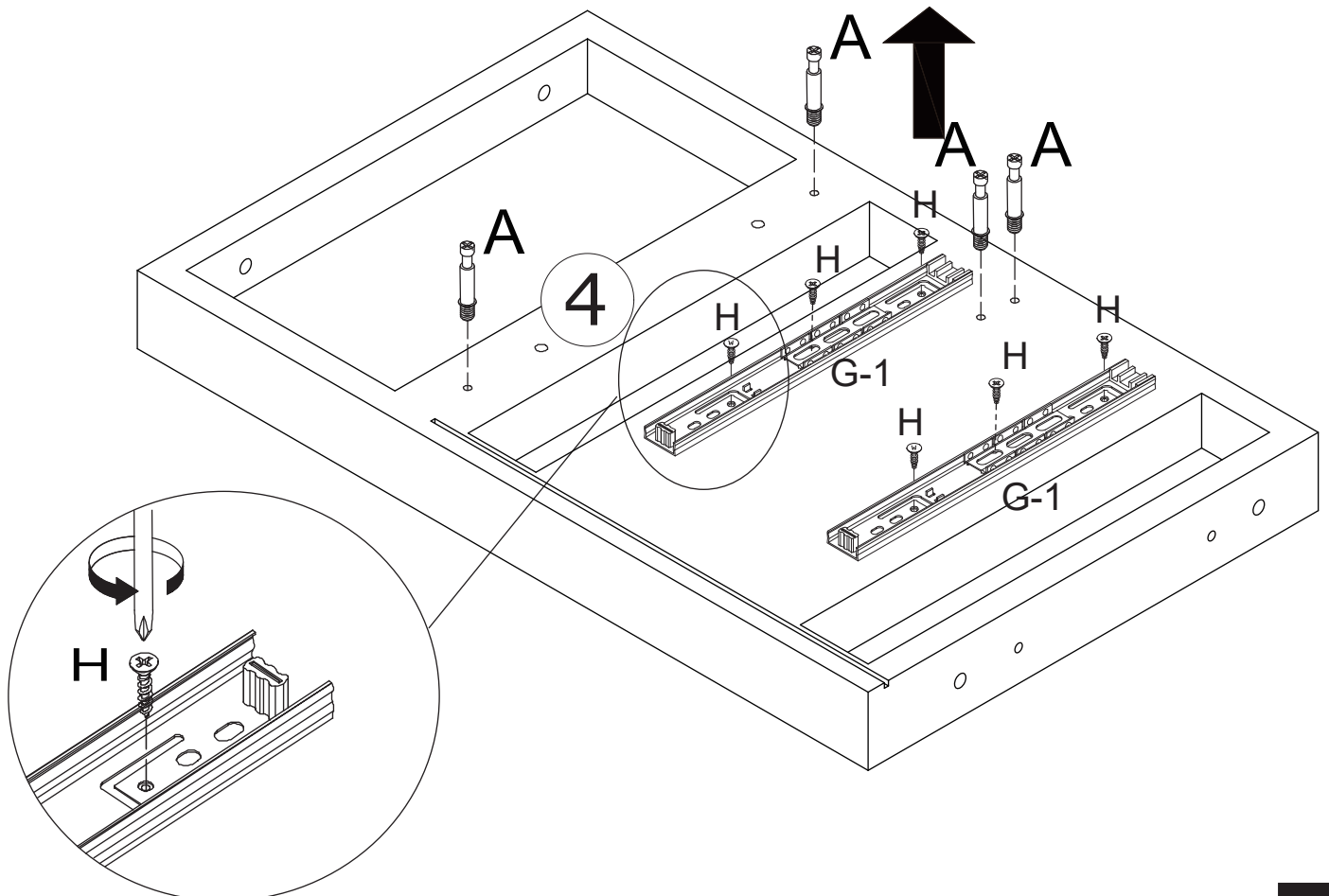
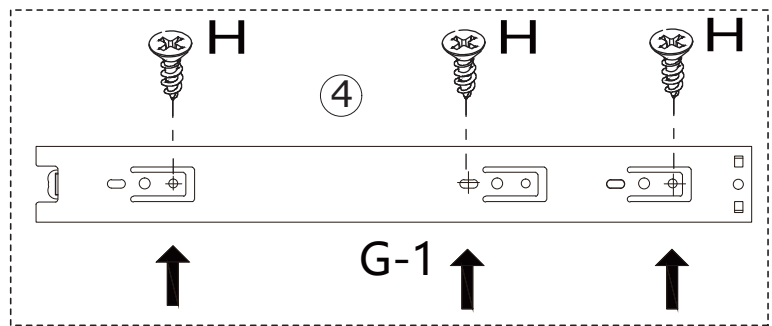


ASSEMBLY STEPS

A x 4	 M6X35mm	G x 2	 G-1	H x 6	 M3X10mm
-------	--	-------	--	-------	---

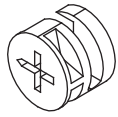
STEP 3

1. Fix the metal slide (G-1) with short screw (H) in the correct hole position on the right side panel (4).
2. Screw the cam bolt (A) into the right side panel (4) as shown below.



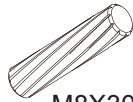
ASSEMBLY STEPS

B x 4



15x15x9.5mm

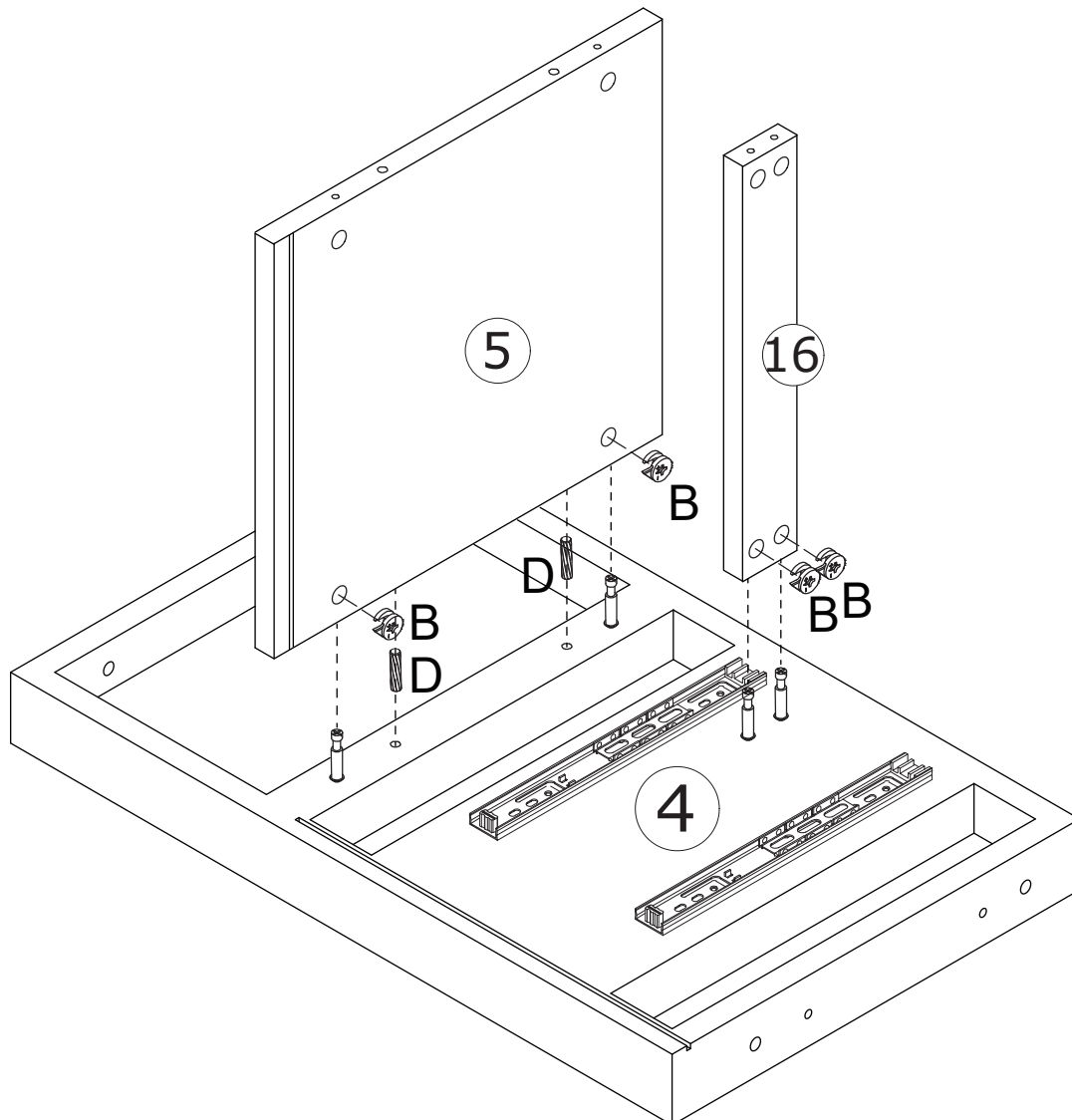
D x 2



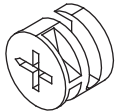
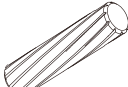
M8X30mm

STEP 4

Attach the connecting panel (16) and panel(5) to the right side panel (4) with wood dowel (D) and cam lock (B).

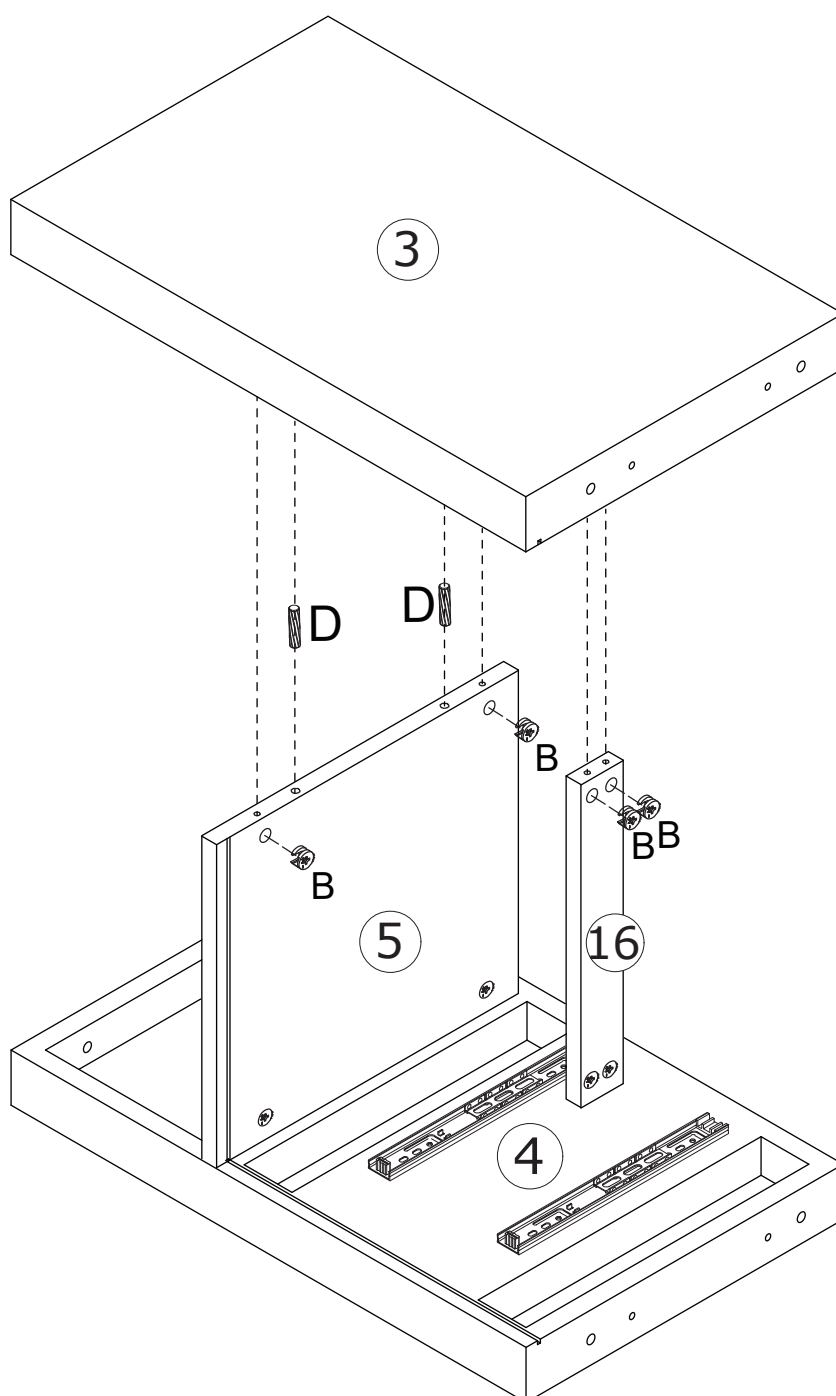


ASSEMBLY STEPS

B x 4	 15x15x9.5mm	D x 2	 M8X30mm
-------	--	-------	--

STEP 5

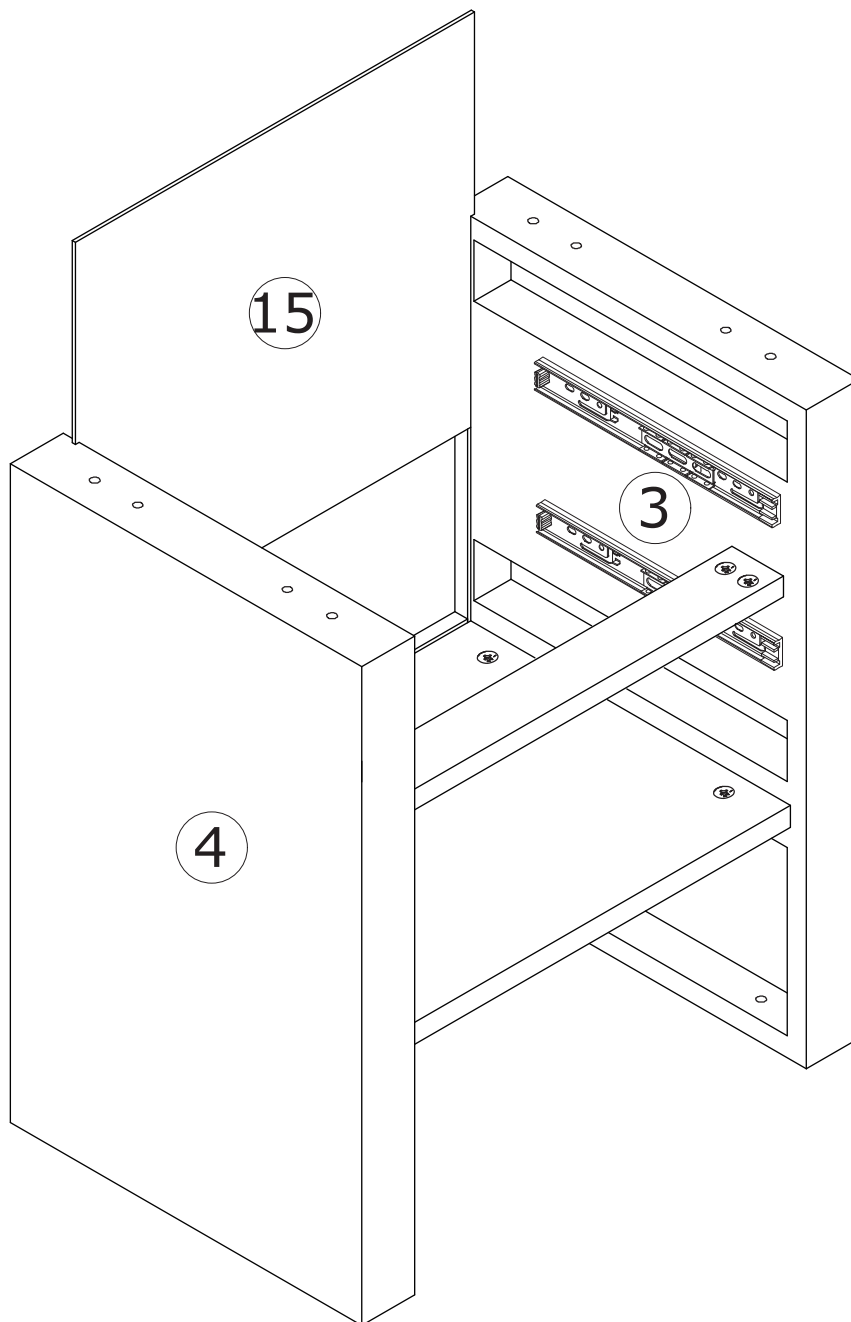
Connect the panels (3,5,16) with wood dowel(D) and cam lock (B).



ASSEMBLY STEPS

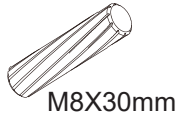
STEP 6

Insert the back panel(15) as shown below.



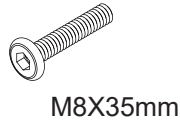
ASSEMBLY STEPS

D x 4



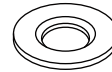
M8X30mm

F x 4

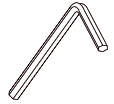


M8X35mm

K x 4

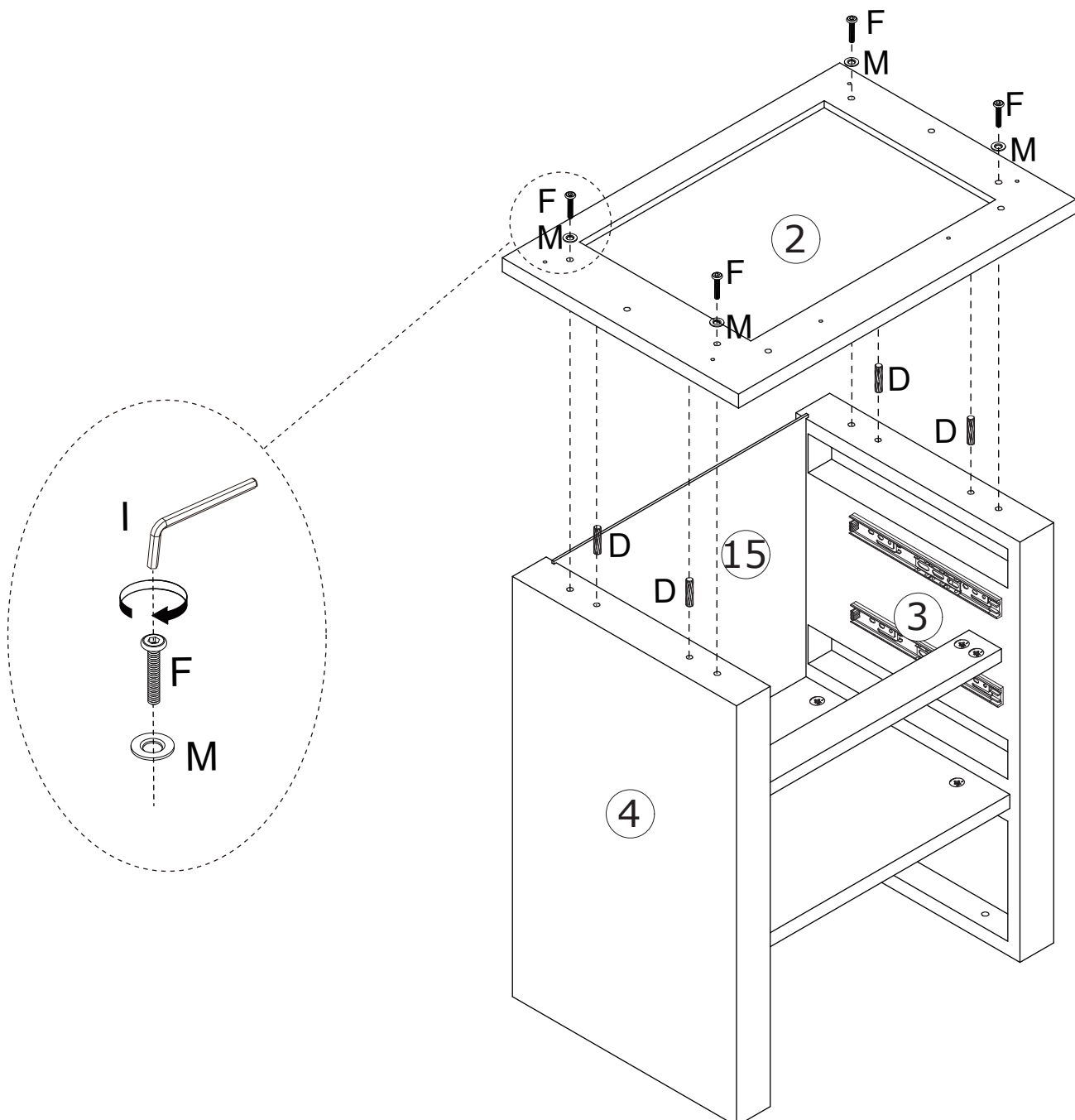


I x 1

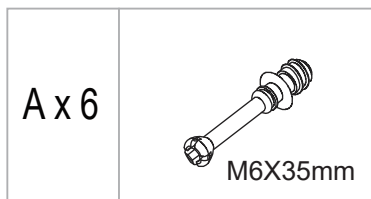


STEP 7

1. Insert the wood dowel (D) into the panels (3,4).
2. Install the bottom panel (2) with long bolt (F), washer (M) and allen wrench (I).

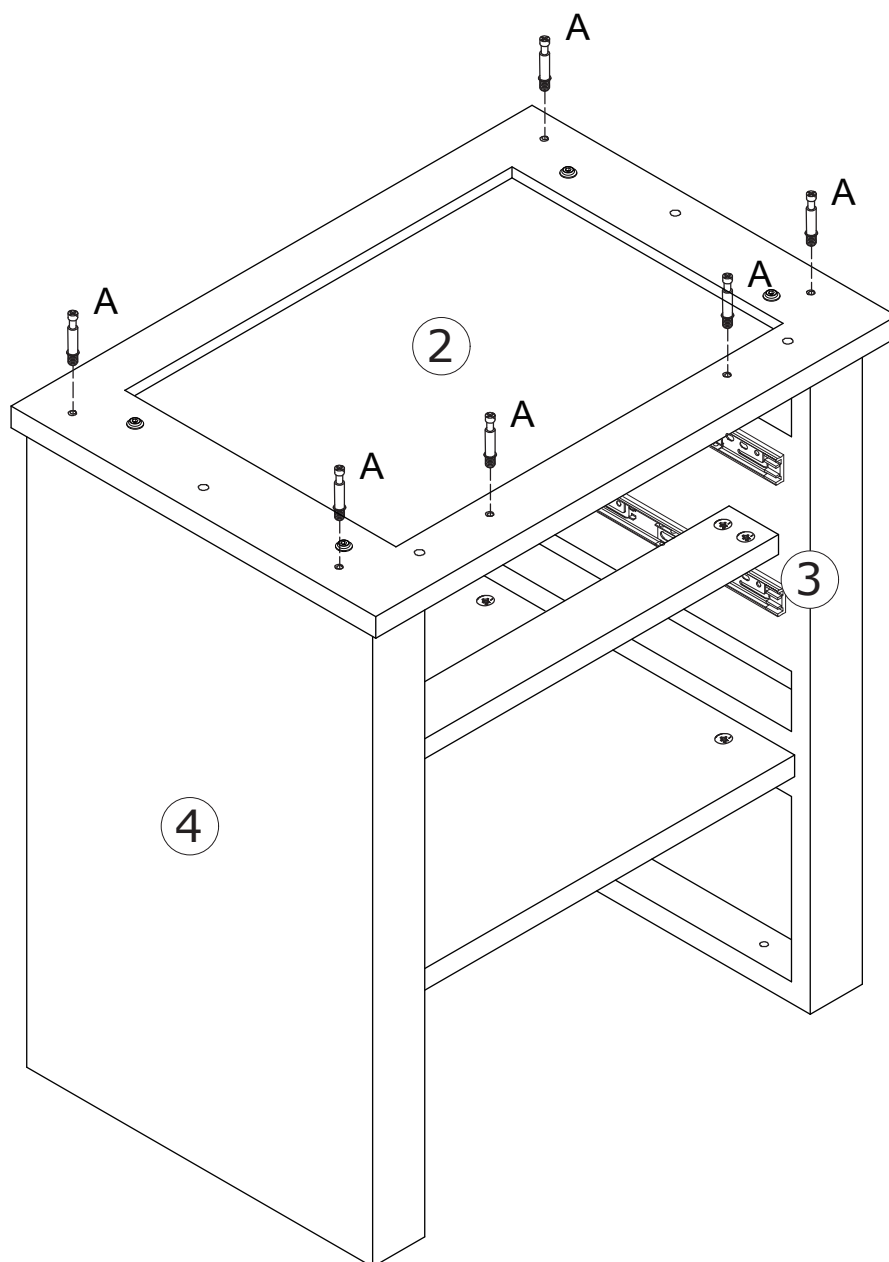


ASSEMBLY STEPS

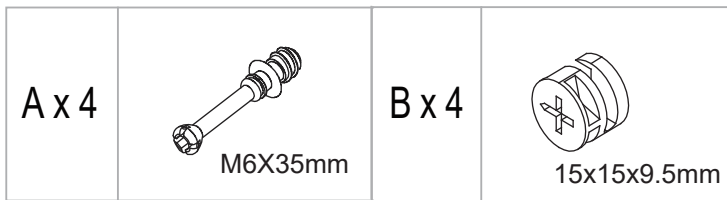


STEP 8

Screw the cam bolt (A) into the bottom panel (2).

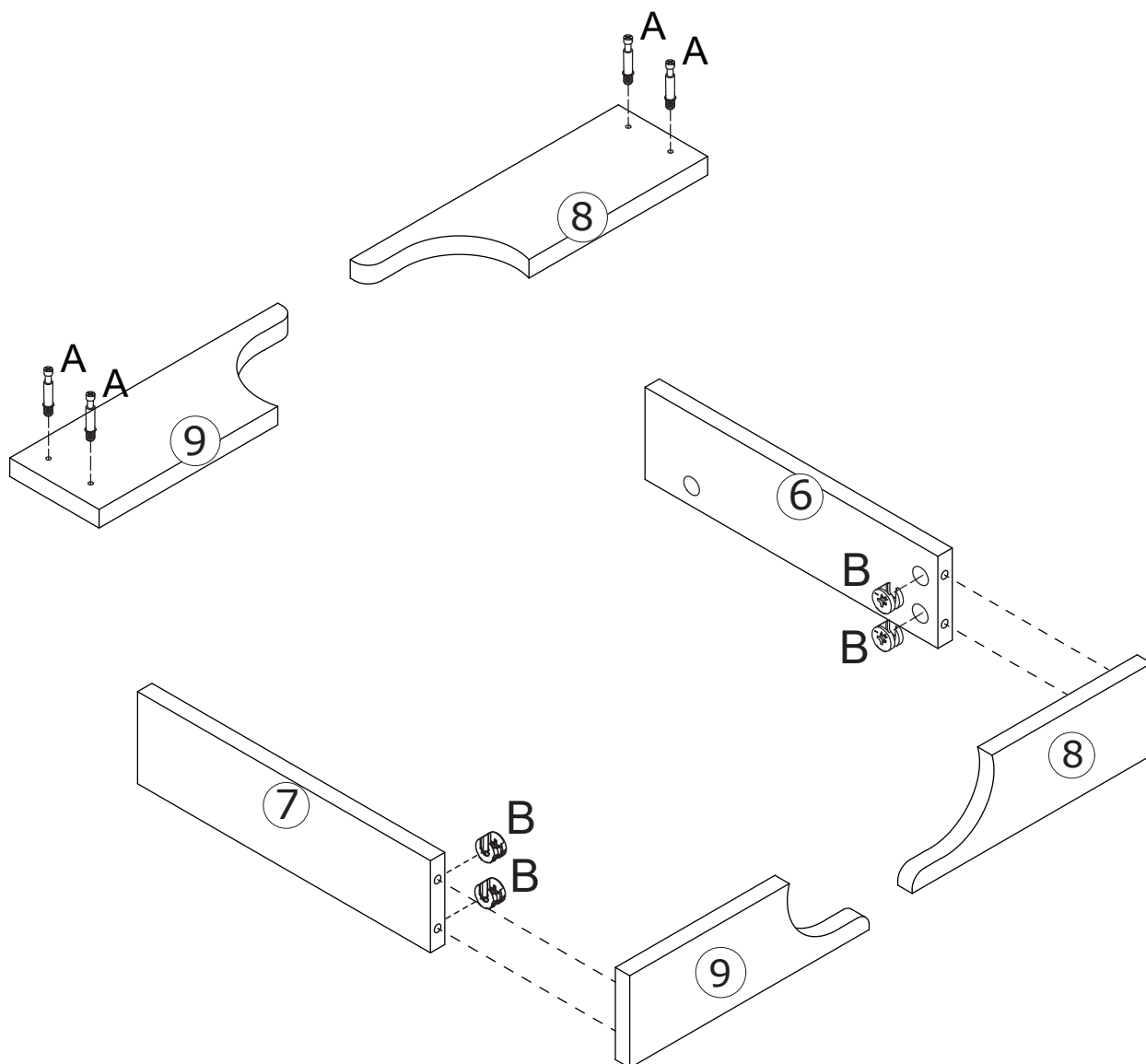


ASSEMBLY STEPS

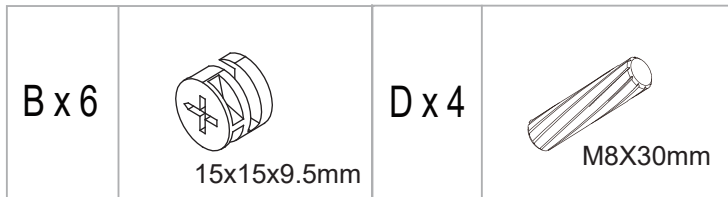


STEP 9

1. Screw the cam bolt (A) into the leg panels (8,9).
2. Connect the leg panel (9) to the leg panel (7) and connect the leg panel (8) to the leg panel (6) using the cam lock (B).

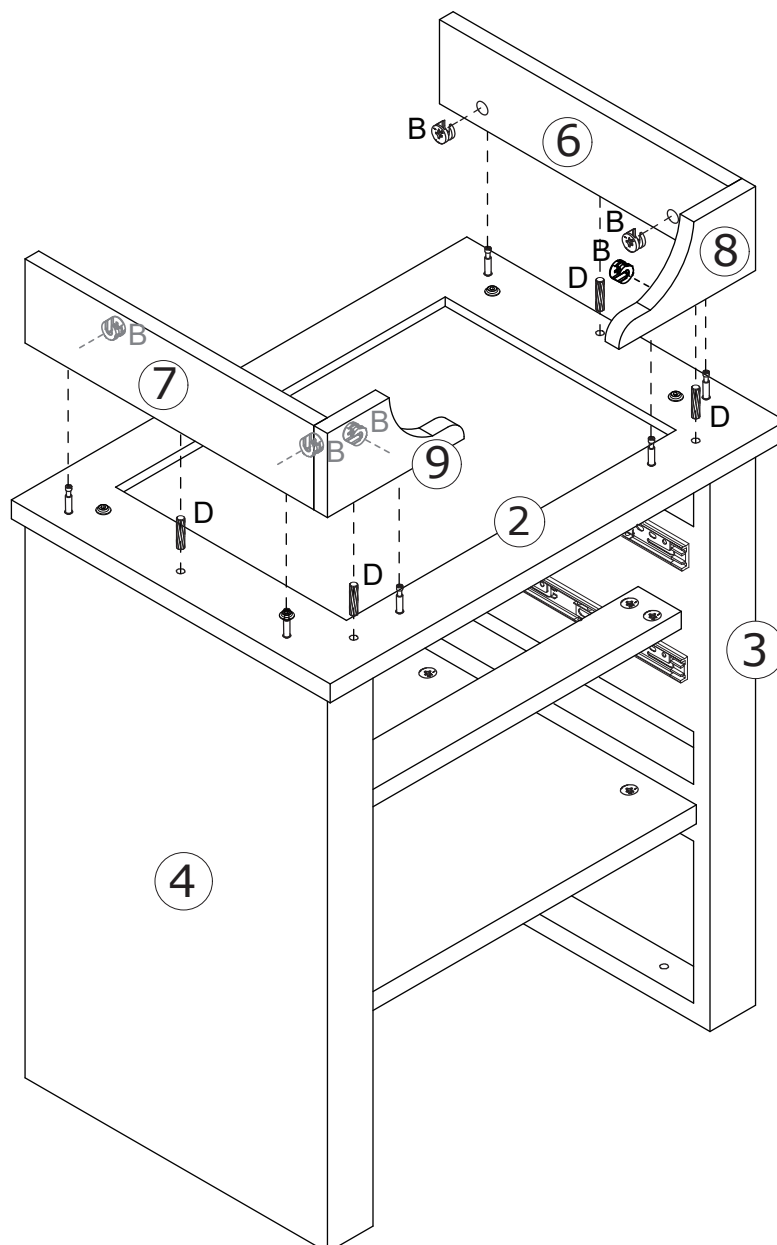


ASSEMBLY STEPS

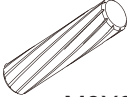
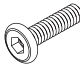
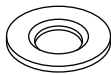
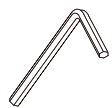


STEP 10

Connect the leg panels (6,7,8,9) and bottom panel (2) with the wood dowel (D) and cam lock (B).

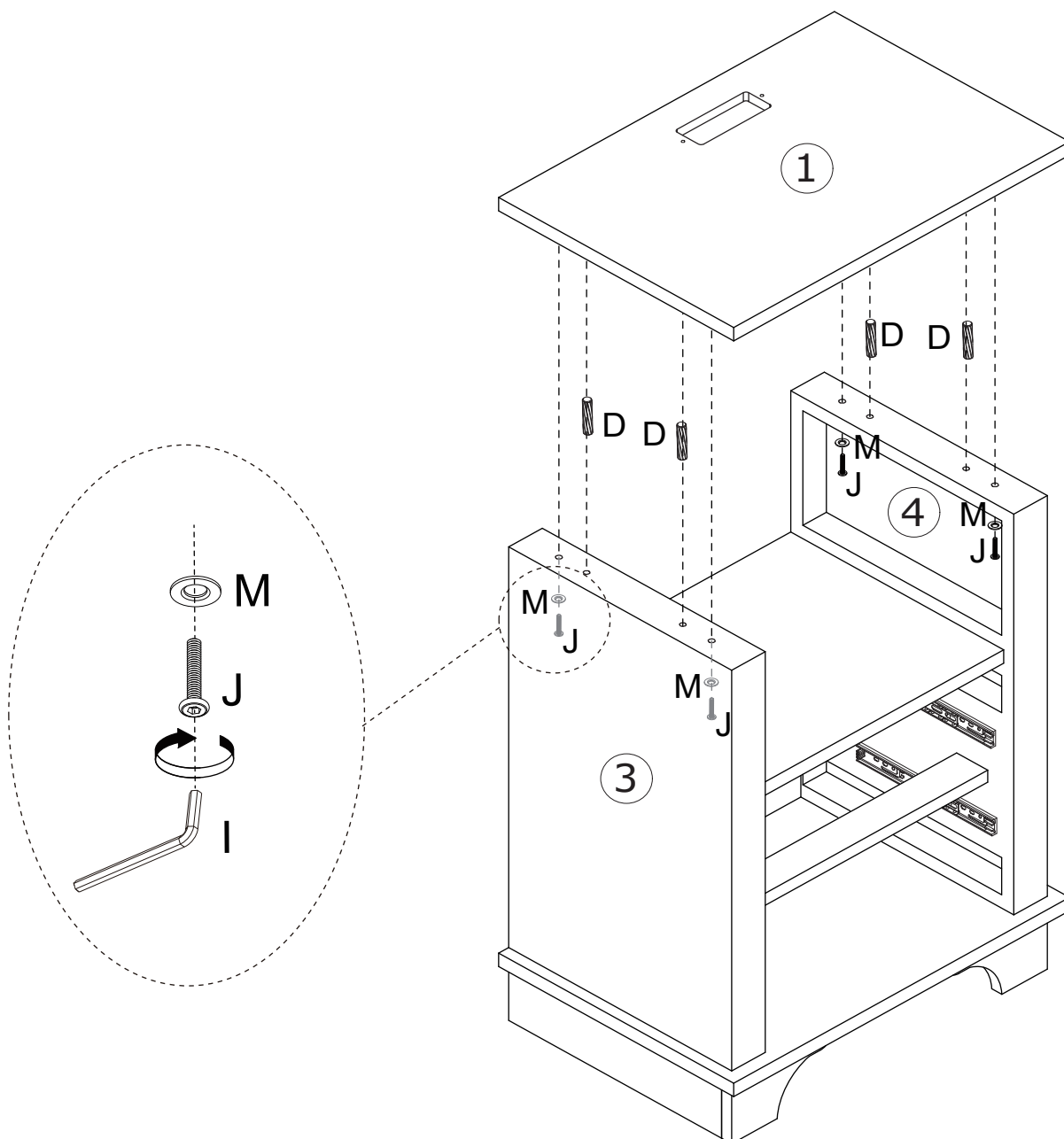


ASSEMBLY STEPS

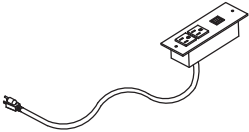
D x 4	 M8X30mm	J x 4	 M8X30mm	K x 4		I x 1	
-------	--	-------	--	-------	--	-------	---

STEP 11

1. Insert the wood dowel (D) into the panels (3,4).
2. Install the top panel (1) with short bolt (J), washer (M) and allen wrench (I).

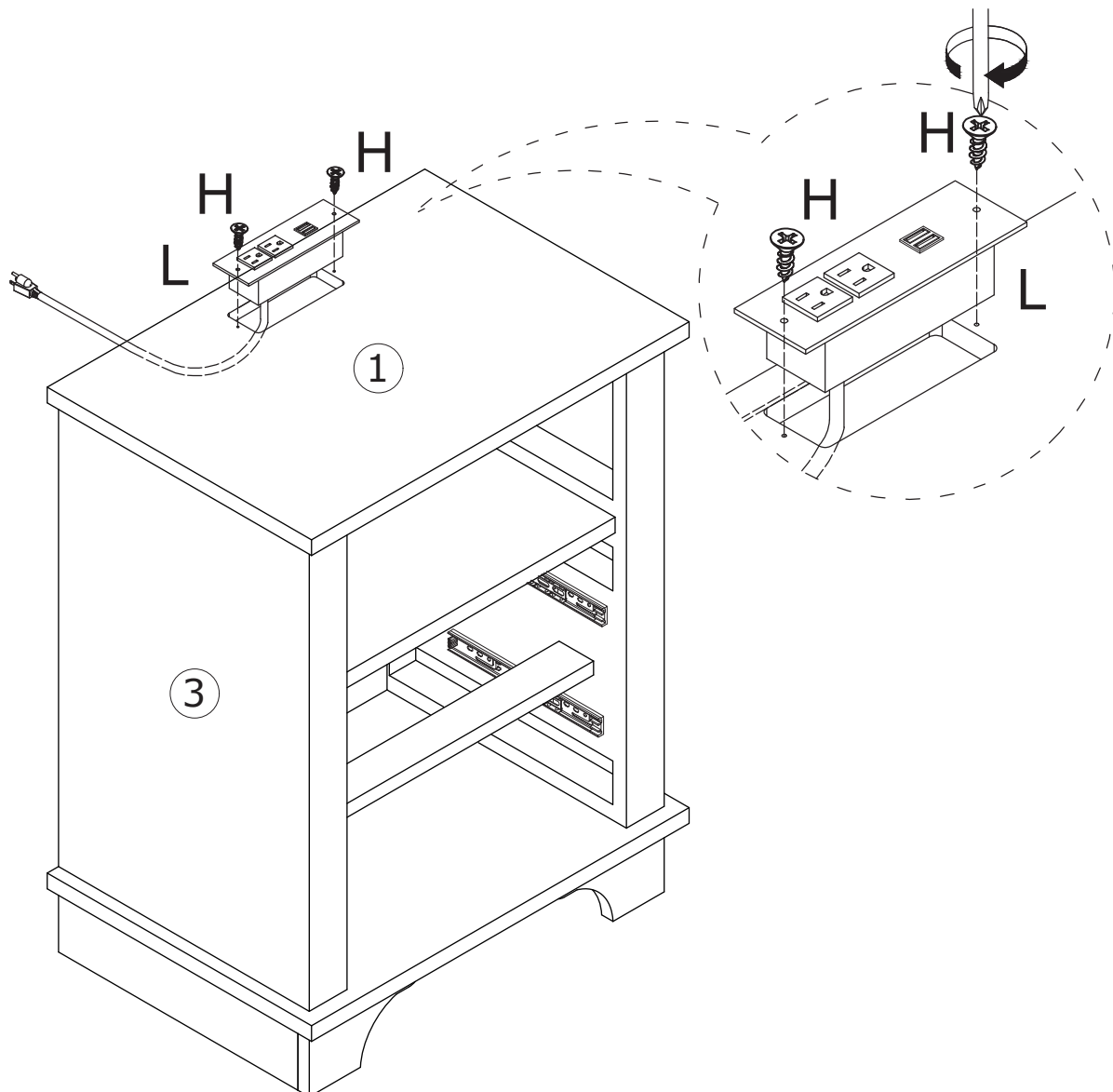


ASSEMBLY STEPS

H x 2	 M3X10mm	L x 1	
-------	--	-------	---

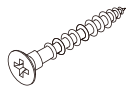
STEP 12

Insert the power strip (L) into the top panel (1) and secure it with short screw (H).



ASSEMBLY STEPS

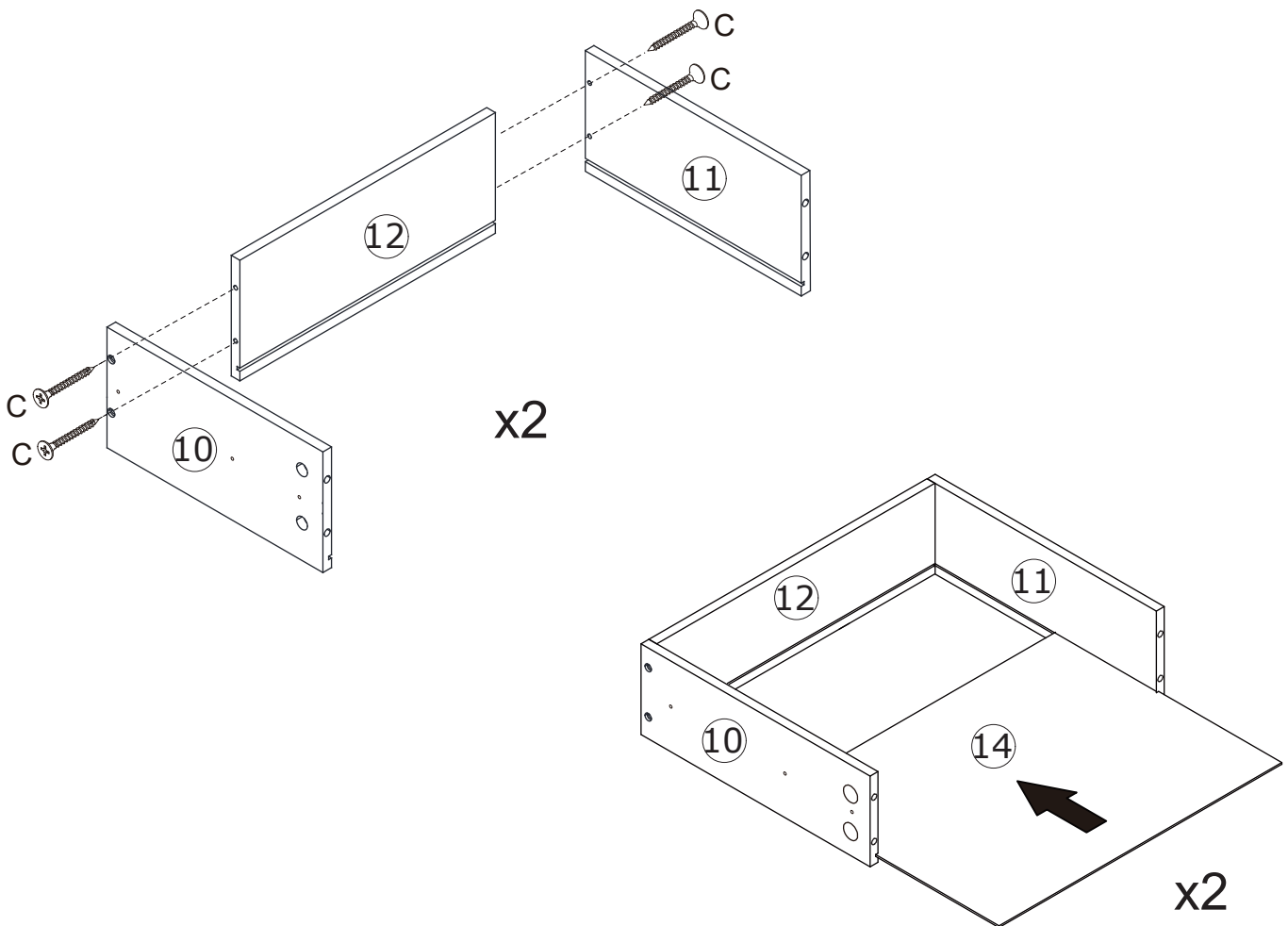
C x 8



M4X30mm

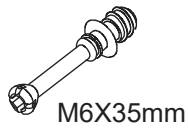
STEP 13

1. Attach the drawer left panel (10) and drawer right panel (11) to the drawer back panel (12) with long screw (C), and then repeat this step.
2. Insert the drawer bottom panel (14), and then repeat this step.



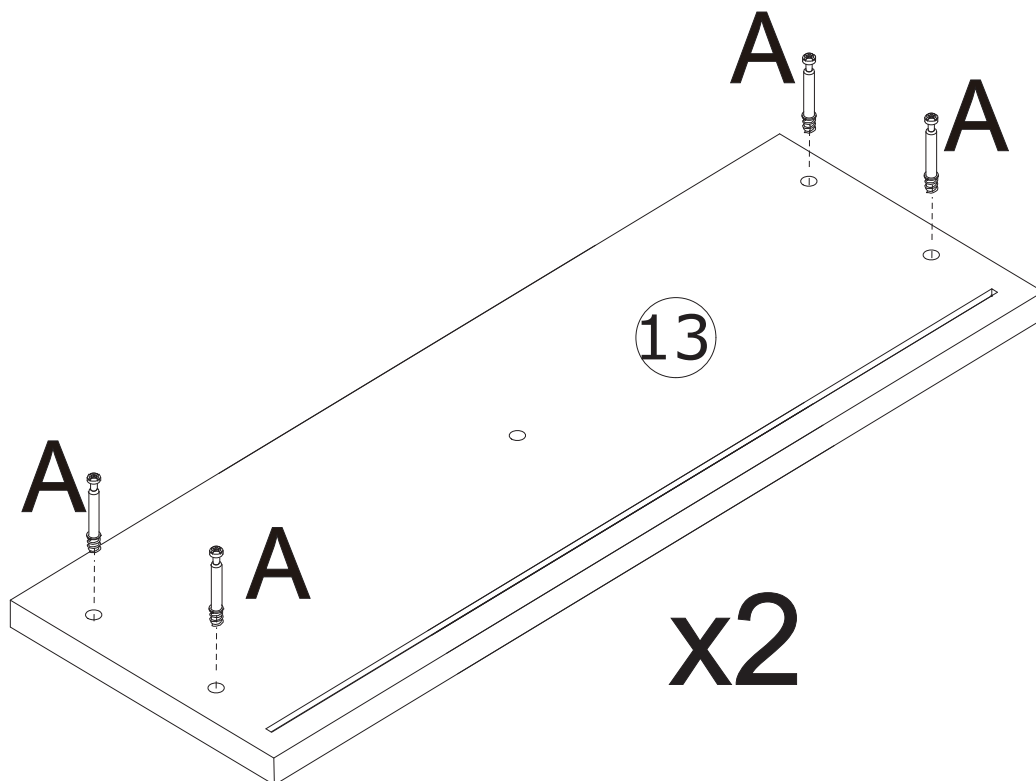
ASSEMBLY STEPS

A x 8

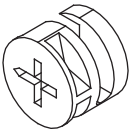
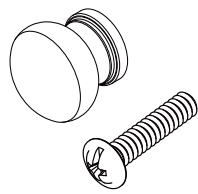


STEP 16

Screw the cam bolt (A) into the drawer front panels (13).

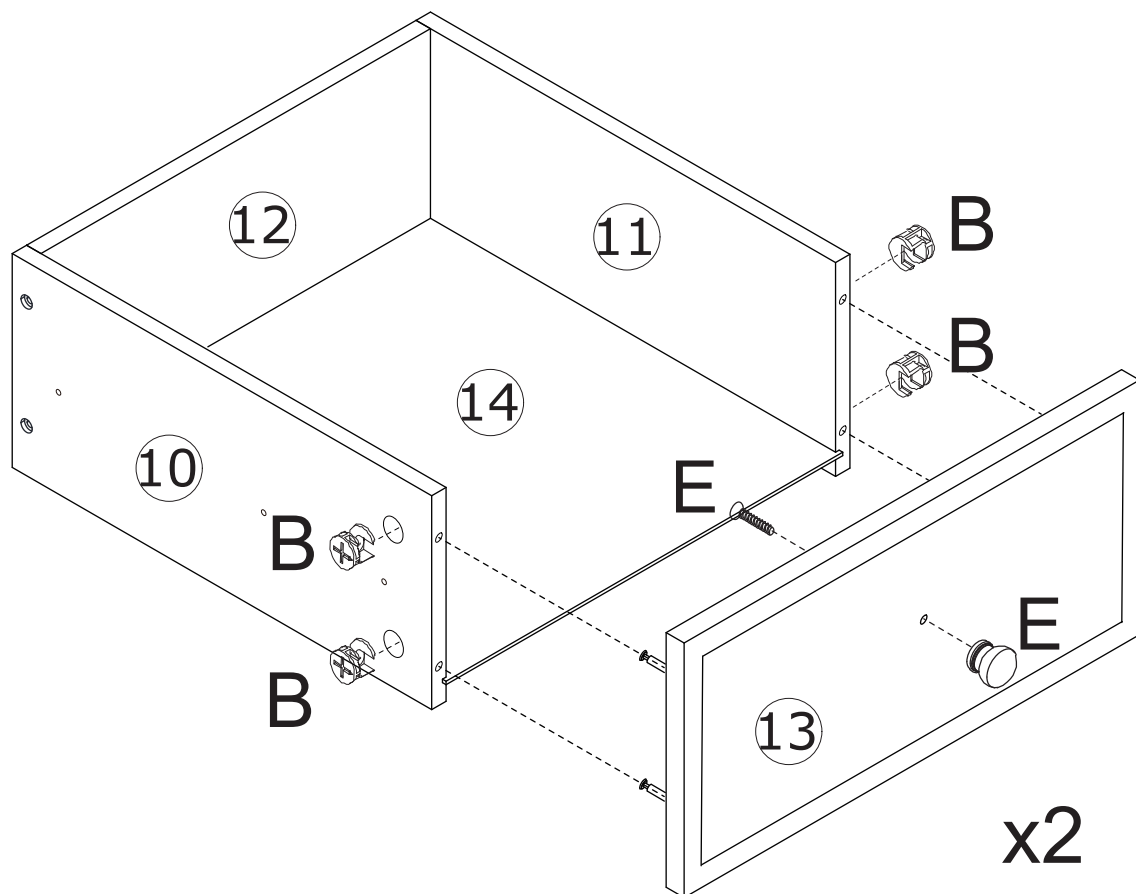


ASSEMBLY STEPS

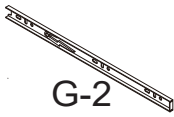

B x 8	 15x15x9.5mm	E x 2	
-------	--	-------	---

STEP 17

1. Install the drawer front panel (13) with cam lock (B).
2. Attach the knob (E) to the panel (13) with screw (E).

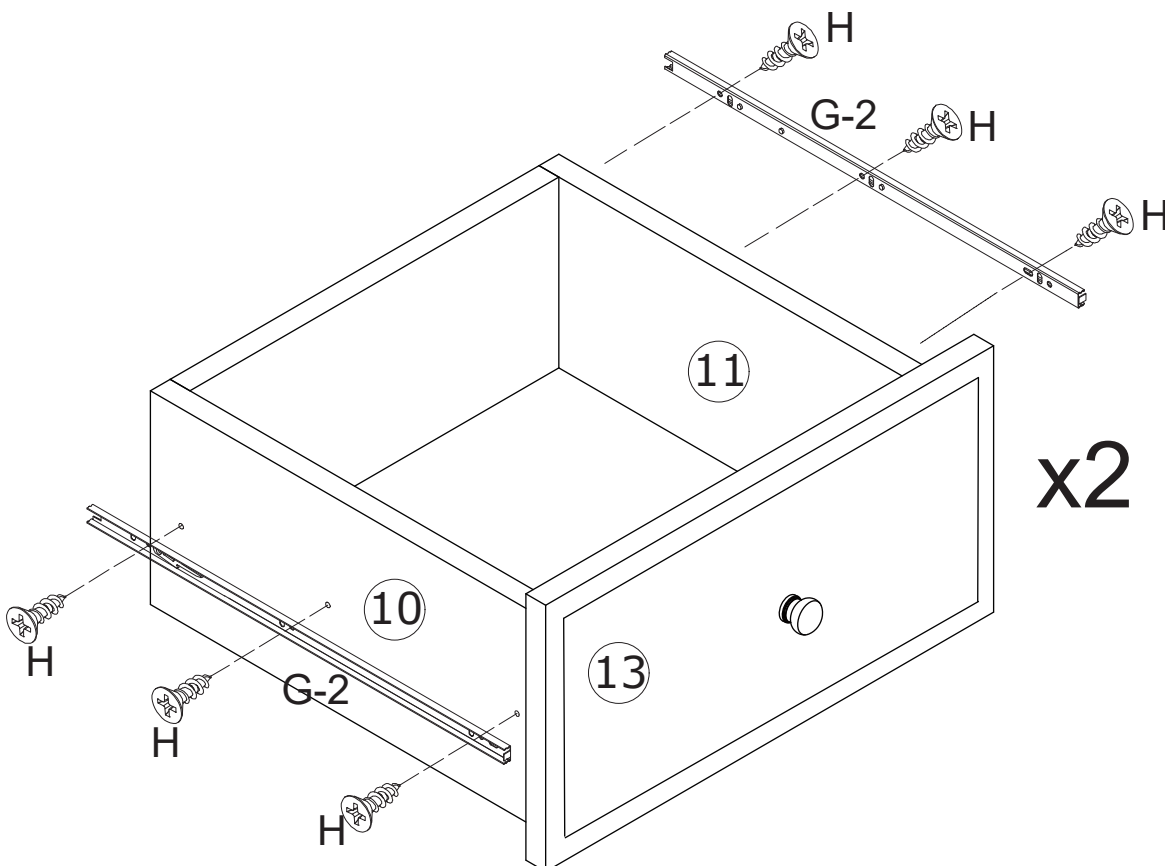
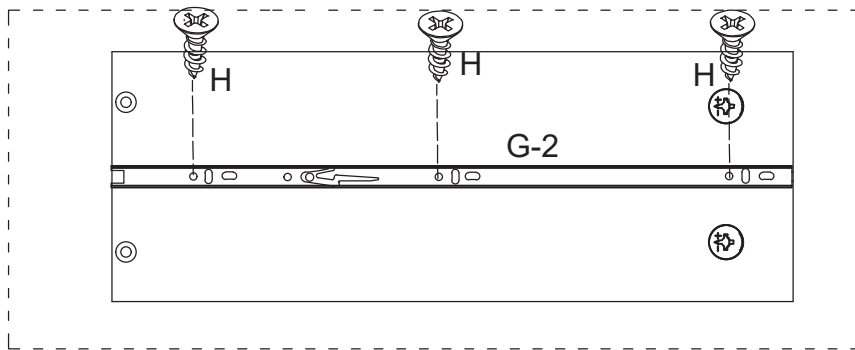


ASSEMBLY STEPS

Gx 4		H x 12	 M3X10mm
------	---	--------	--

STEP 18

Fix the metal slide (G-2) with short screw (H) in the correct hole position on the drawer side panels as shown below.

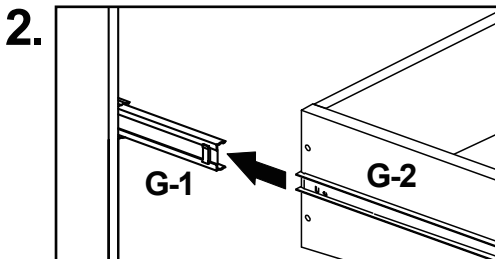
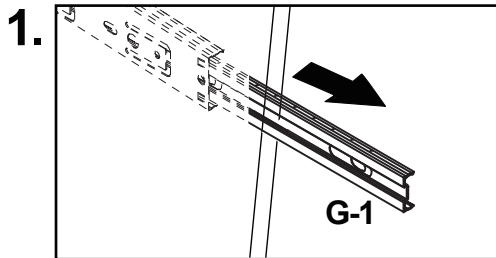
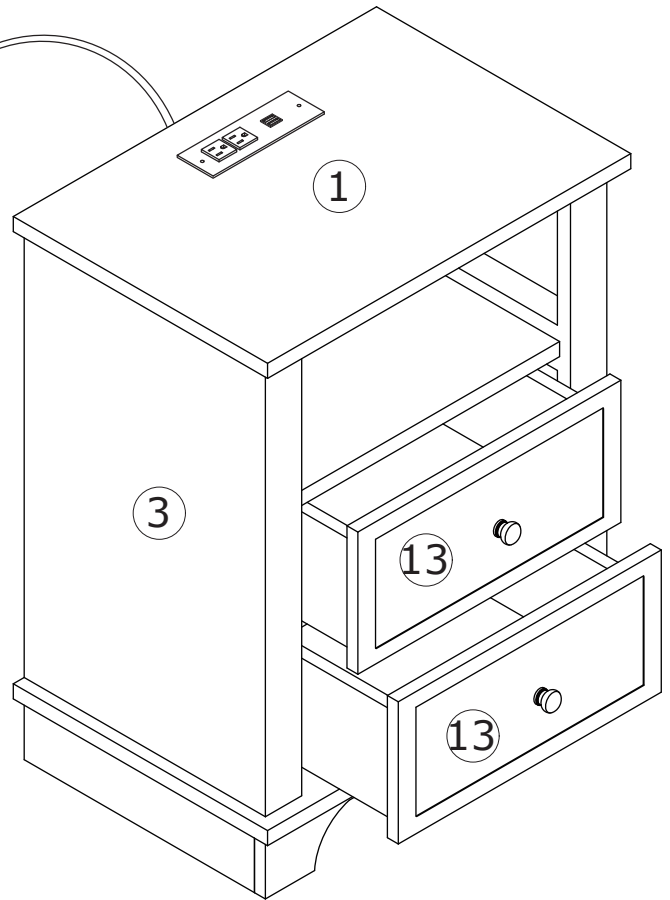
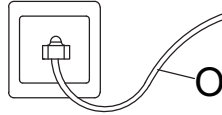


ASSEMBLY STEPS

STEP 19

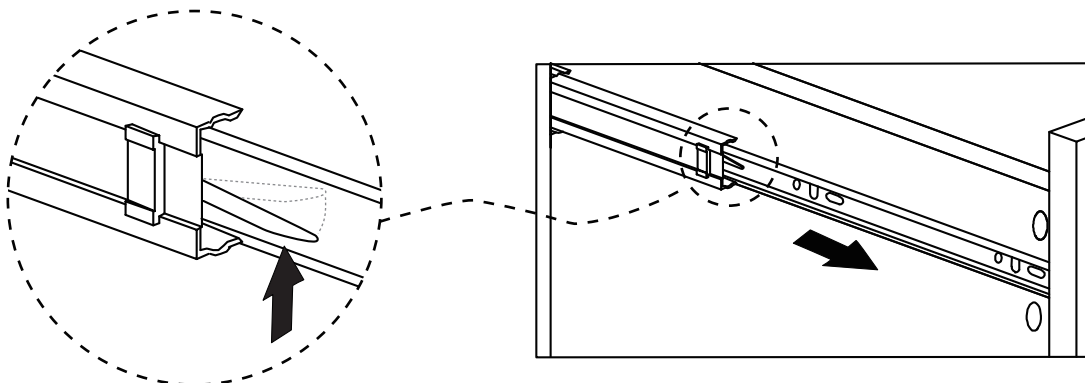
Align the slides on the drawer and cabinet, and then gently push the drawer into the cabinet.

Power supply



Drawer Disassembly

If you need to remove the drawer, lift the lever on the left side slide upward and push down the lever on the right side slide, then slowly pull out the drawer.



1.What should I do when I received a defected item?

Please feel free to contact us customer service via the link where you purchased this item with your order ID, pictures of the defective areas to us. We are eager to help you to make it right.

2.Is it easy to put the screws to the panels?

Yes. As long as you follow the instruscion and use the correct screws and put it in the correct holes, it is easy to screw it into pre-drilled holes.

3.What should I do if I have a problem with the drawers not closing flush?

The problem with the drawers not closing flush is usually caused by the assembly of the drawer slides.Here are the solutions as below:

1)Please check whether the slide rail is damaged,for example,the ball of the slide rail has fallen out,if so,please ask us for replacements of the drawer slides;

2)Refer to the assembly manual to check if the holes for the slide rail are assembled correctly.If there is no problem with the assembly,but the slide rail is stuck in the process of pushing in,please release the entire drawer as you did the first time you removed the drawer slides,and then push it back in again.

Any query,please contact us directly.

Supplementary Instructions for Safe Use

English

WARNING



Children have died from furniture tipover. To reduce the risk of furniture tipover:

- ALWAYS install tipover restraint provided.
- NEVER put a TV on this product.
- NEVER allow children to stand, climb or hang on drawers, doors, or shelves.
- NEVER open more than one drawer at a time.
- Place heaviest items in the lowest drawers.
- Do not defeat or remove the drawer interlock system.

This is a permanent label.

Do not remove!

French

ATTENTION



Des enfants sont morts du basculement des meubles. Pour réduire le risque de basculement des meubles:

- TOUJOURS installer la retenue de basculement fournie.
- NE JAMAIS mettre de téléviseur sur ce produit.
- NE JAMAIS permettre aux enfants de se tenir debout, de grimper, ou de s'accrocher à des tiroirs, des portes ou des étagères.
- N'ouvrez JAMAIS plus d'un tiroir à la fois.
- Placez les objets les plus lourds dans les tiroirs les plus bas.
- Ne désactivez pas et ne retirez pas le système de verrouillage du tiroir.

Ceci est une étiquette permanente.

Ne pas enlever!

German

WARNUNG



Kinder sind an einem Möbelkippen gestorben. So verringern Sie das Risiko eines Umkippen von Möbeln:

- Installieren Sie **IMMER** die mitgelieferte Kipprückhaltevorrichtung.
- Stellen Sie **NIEMALS** einen Fernseher an dieses Produkt.
- Lassen Sie Kinder **NIEMALS** an Schubladen, Türen oder Regalen stehen klettern oder hängen.
- Öffnen Sie **NIEMALS** mehr als eine Schublade gleichzeitig.
- Legen Sie schwerste Gegenstände in die untersten Schubladen.
- Besiegen oder entfernen Sie das Schubladenverriegelungssystem nicht.

Dies ist ein dauerhaftes Etikett.

Nicht entfernen!