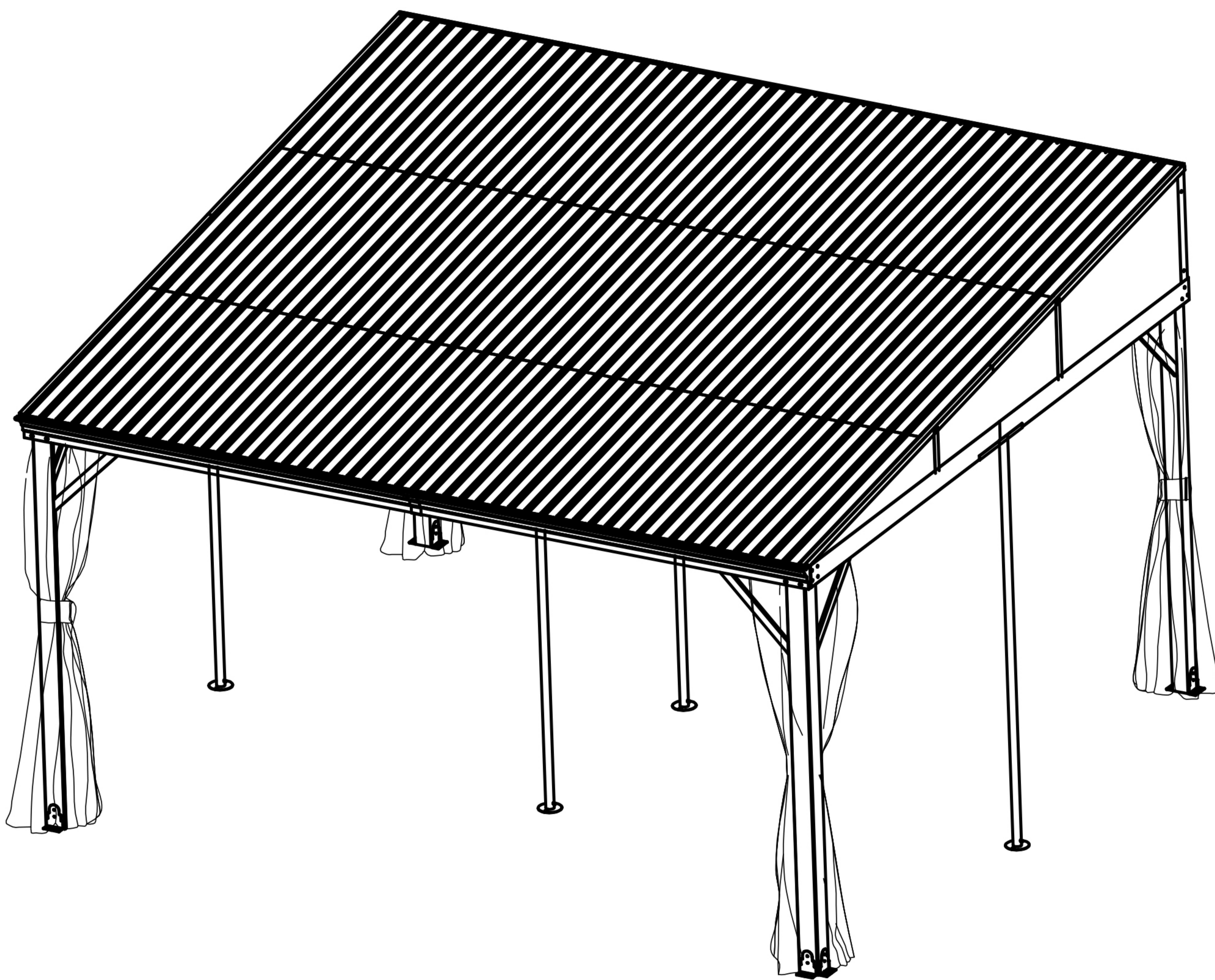


Wall Mounted Wood  
Gazebo With PC Roof 12X14FT

SKU:B001G085-1  
B001G085-2  
B001G085-3  
B001G085-4

# ASSEMBLY INSTRUCTIONS



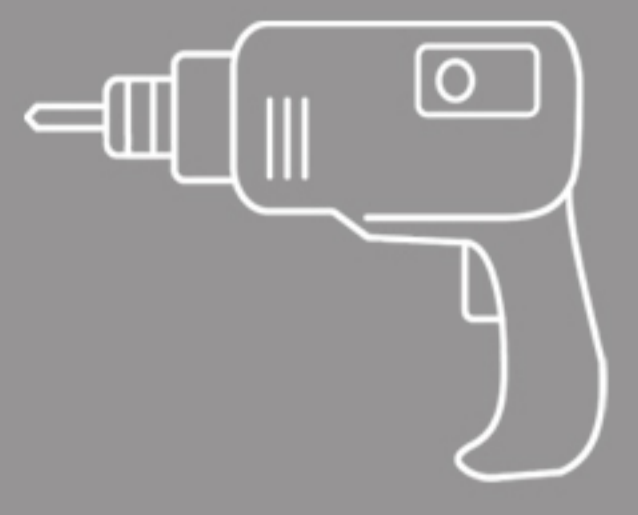
Please check the number of parts in the following accessory catalogue when unpacking. We have sent you more small parts for spare. If there is any missing or any questions about the installation. Please feel free to contact us. We will reply within 24 hours.



E-mail: [cs.helper01@gmail.com](mailto:cs.helper01@gmail.com)

## TOOLS RECOMMENDED

\*NOTE: The recommended tools are not included in boxes and need to be prepared by yourself.



DRILL



RUBBER Mallet



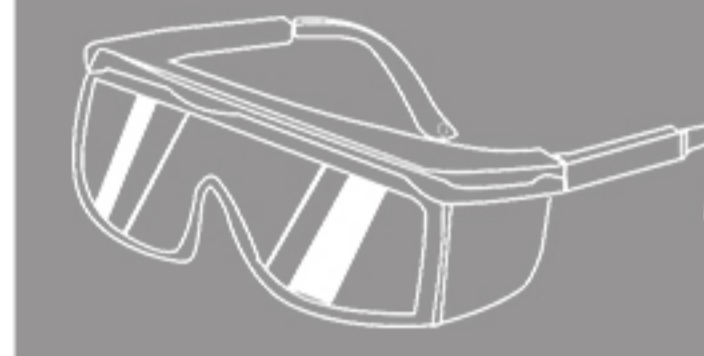
STEPLADDER  
(6.5Ft Or More)



SAFETY HAT



GLOVES



SAFETY GOGGLES

## ATTENTIONS



Since it is easy to lose many small accessories during the installation, please collect all the screw accessories before the assembly is completed



To better align the screws for practical situations, do not fully tighten screws initially



Please reinforced the Gazebo and do not use in heavy winds or inclement weather



Make sure all screws are tightened before use and check all screws, buckles and straps every 90 days



Two or more people are required for assembly



Please clear the snow off the roof in time for the heavy snowfall and do not use it



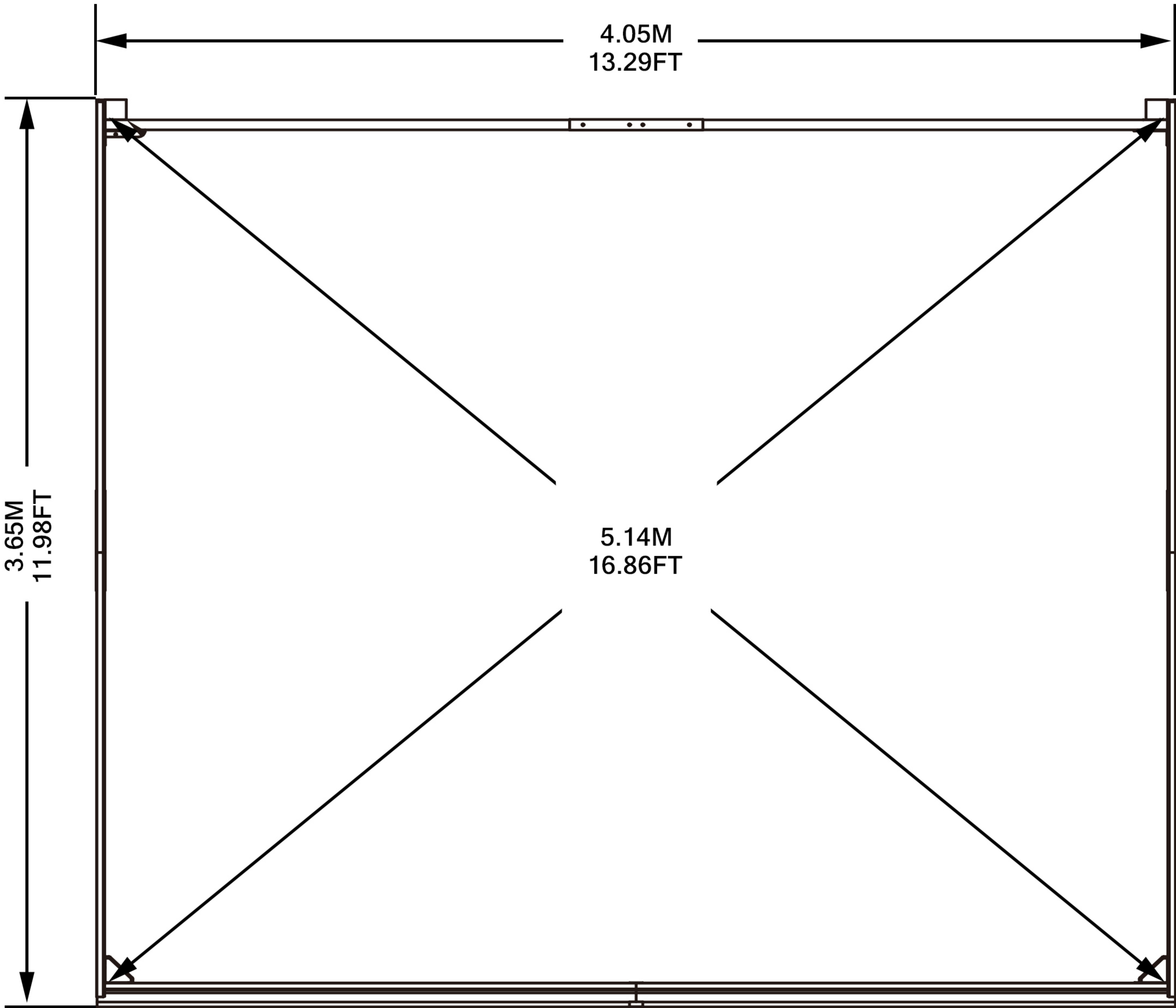
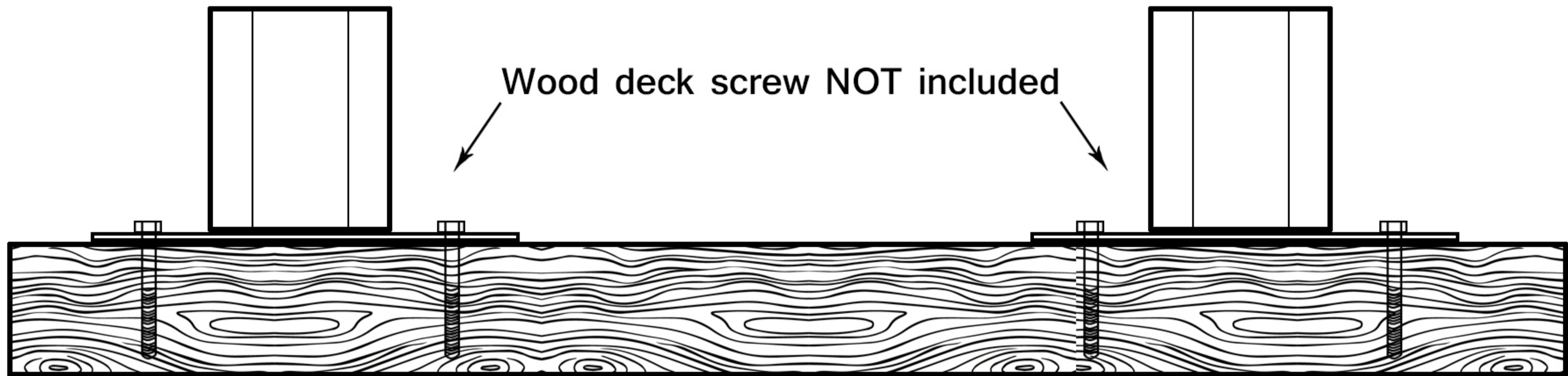
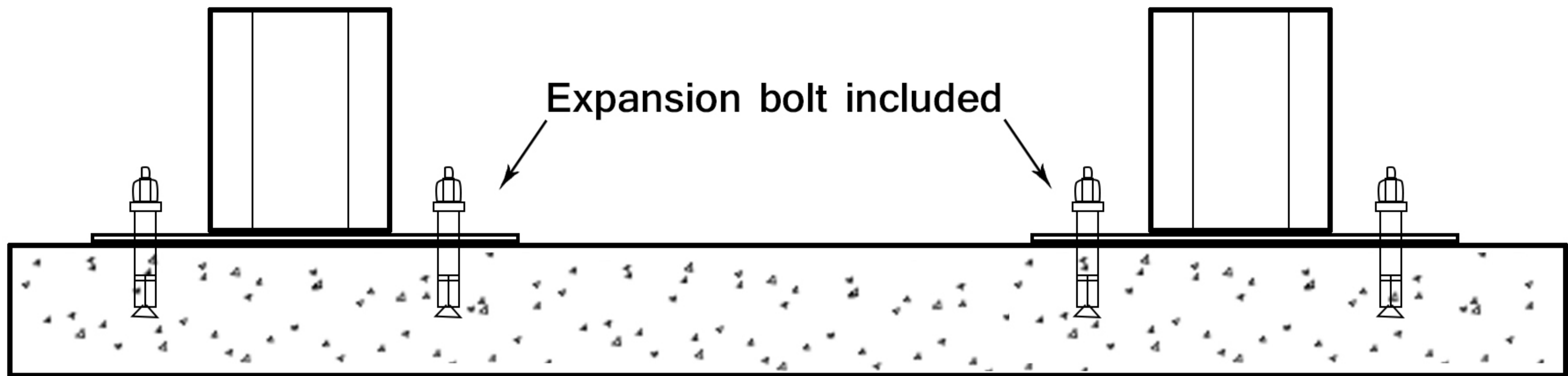
Keep all parts! For missing parts or installation issues, contact us.



E-mail: [cs.helper01@gmail.com](mailto:cs.helper01@gmail.com)

# Permanent Installation Examples

Our supporting expansion screws can only be used for cement floors, customers need to bring their own special screws if they are used for wood floors

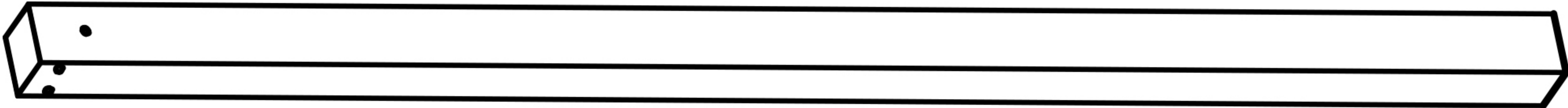
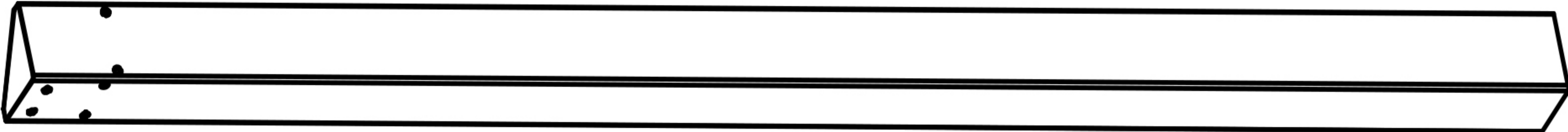



! Keep all parts! For missing parts or installation issues, contact us.

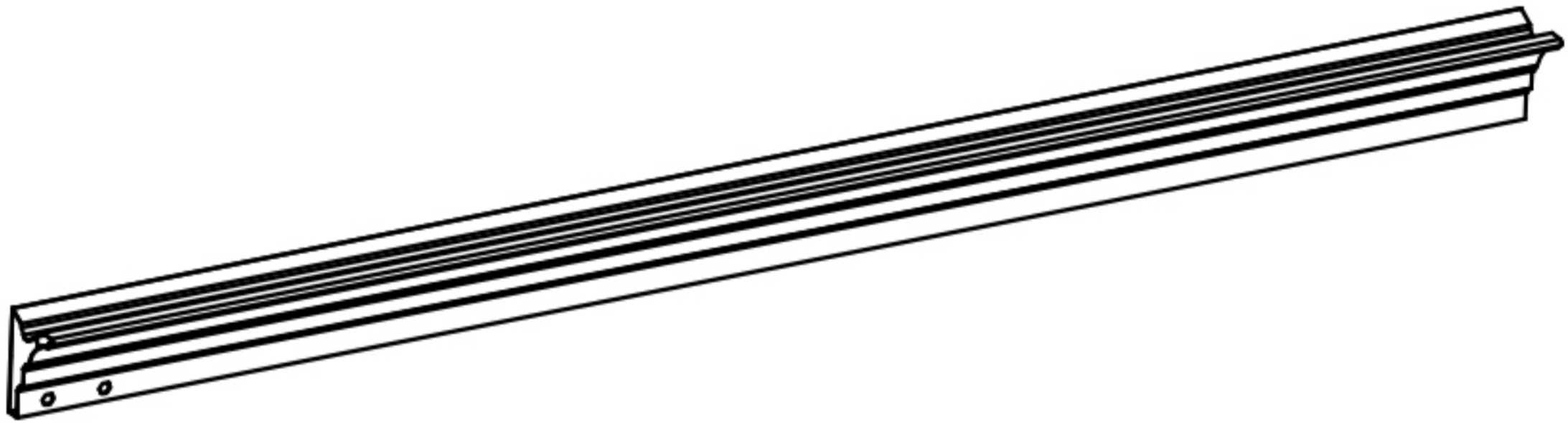
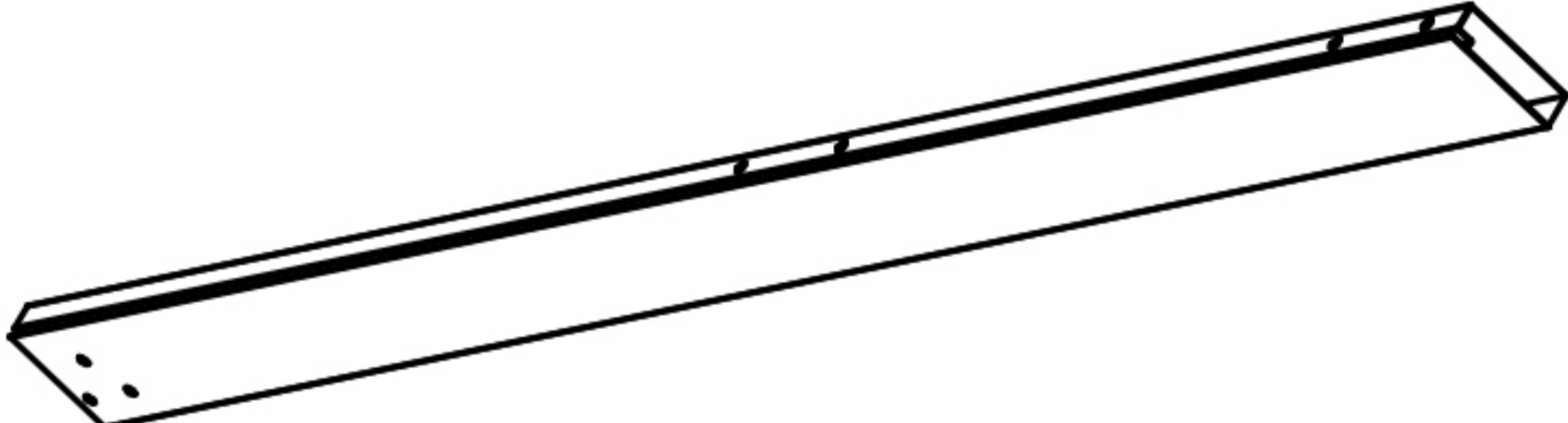
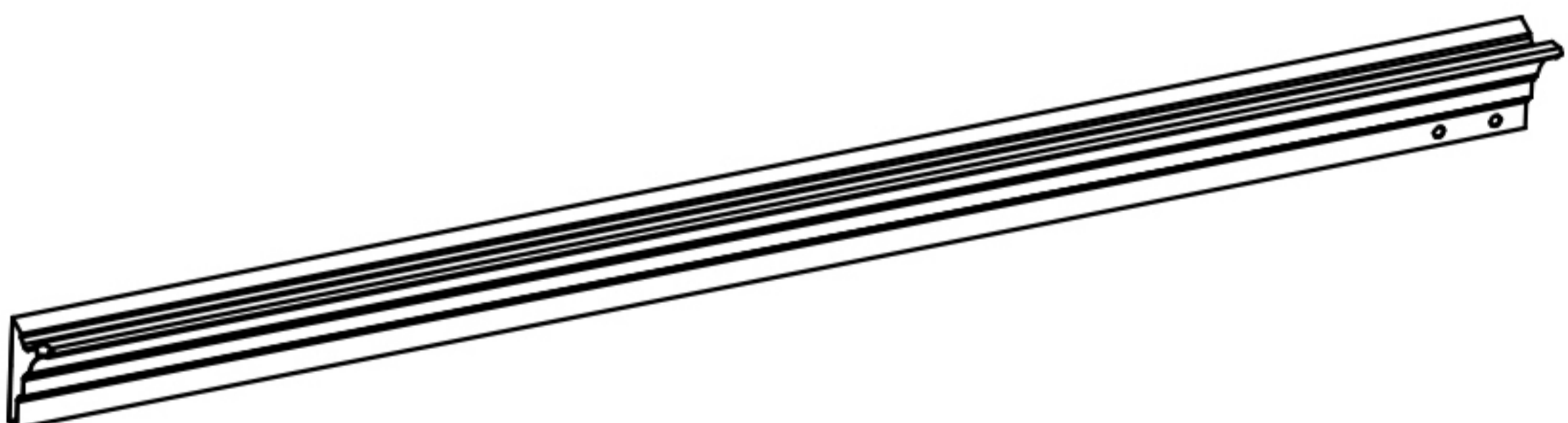
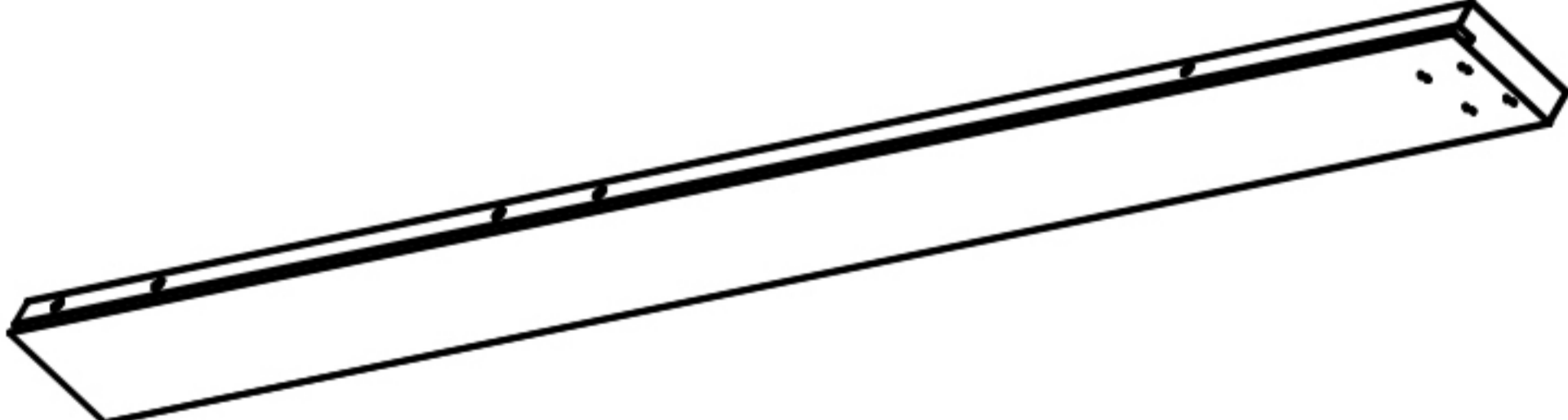
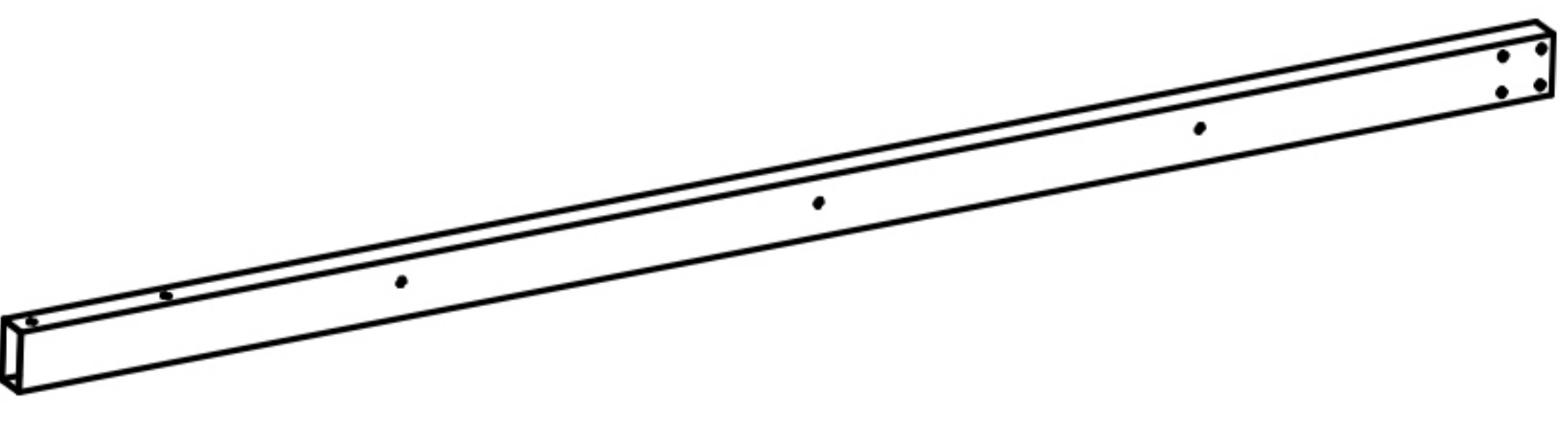
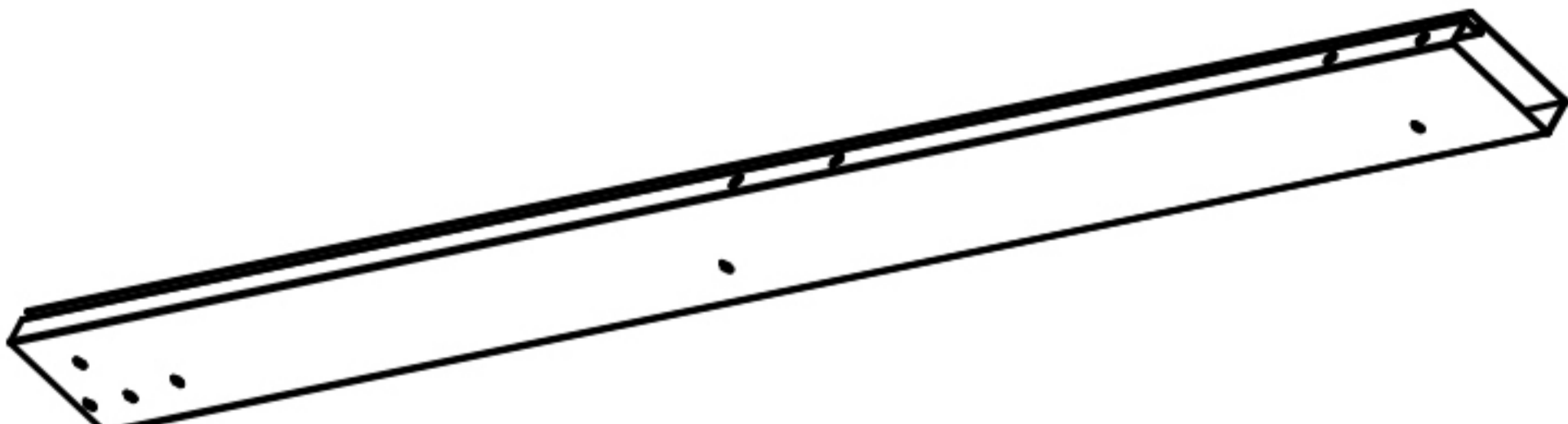
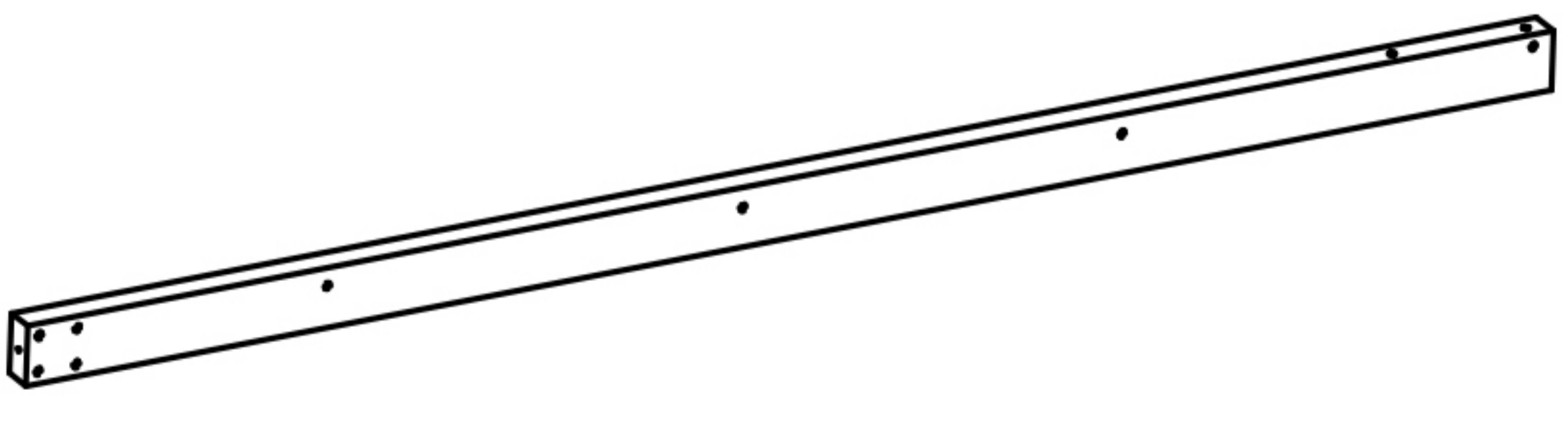
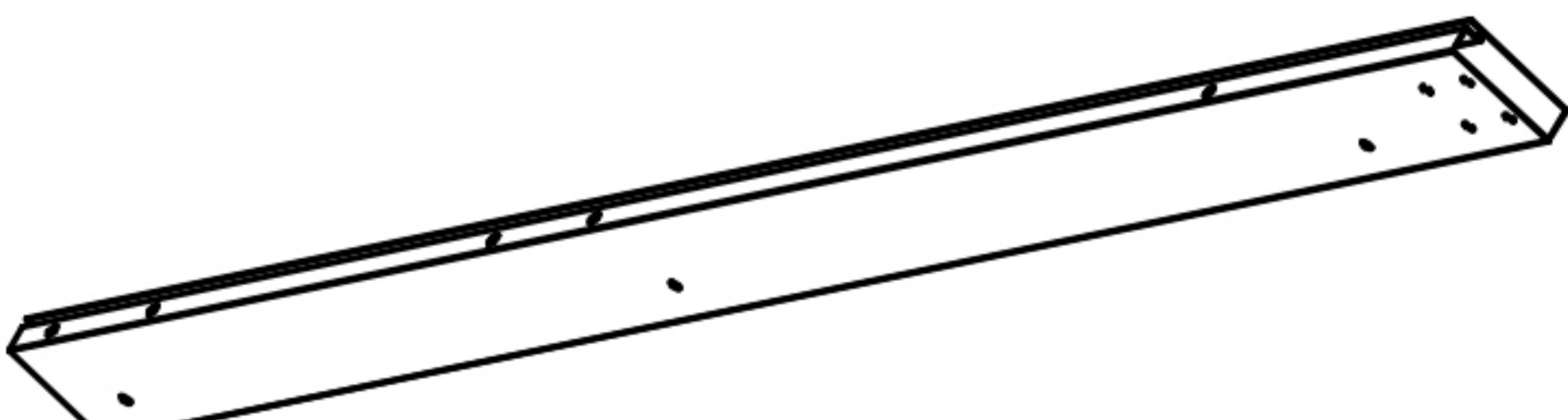
➔ ✉ E-mail: [cs.helper01@gmail.com](mailto:cs.helper01@gmail.com)

# ACCESSORY CATALOGUE

## BOX 1 SKU:B001G085-1

Item no.	Reference Image	Qty.
<b>A1</b>		<b>2</b>
<b>A4</b>		<b>1</b>
<b>A5</b>		<b>1</b>

## BOX 2 SKU:B001G085-2

Item no.	Reference Image	Qty.	Item no.	Reference Image	Qty.
<b>B</b>		<b>1</b>	<b>D</b>		<b>1</b>
<b>B1</b>		<b>1</b>	<b>D1</b>		<b>1</b>
<b>B2</b>		<b>1</b>	<b>D2</b>		<b>1</b>
<b>B3</b>		<b>1</b>	<b>D3</b>		<b>1</b>

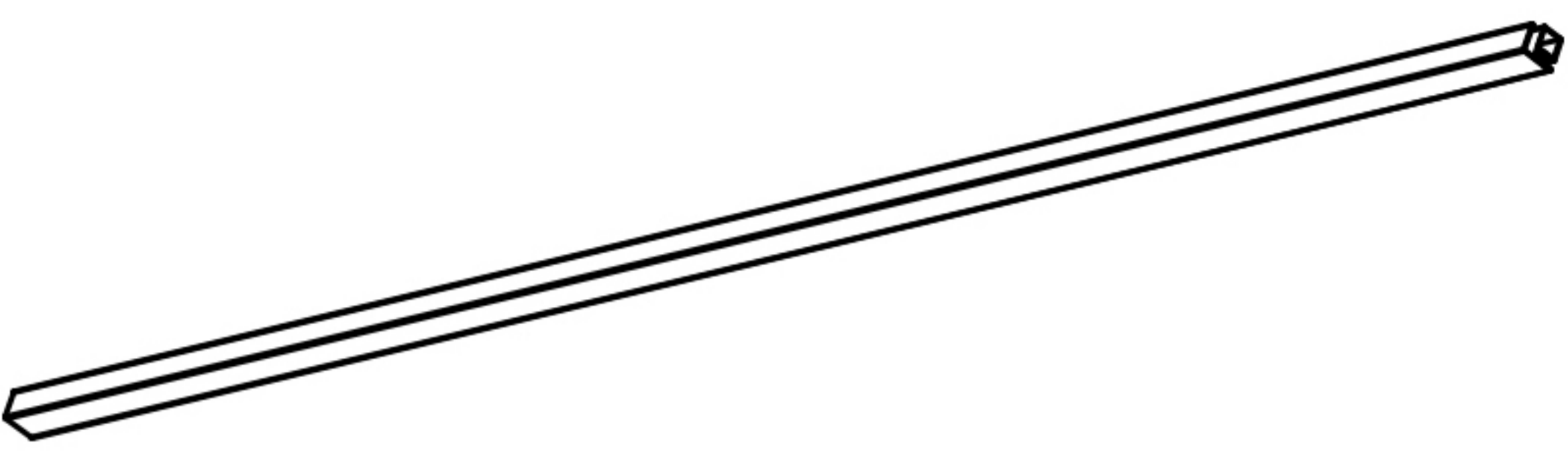
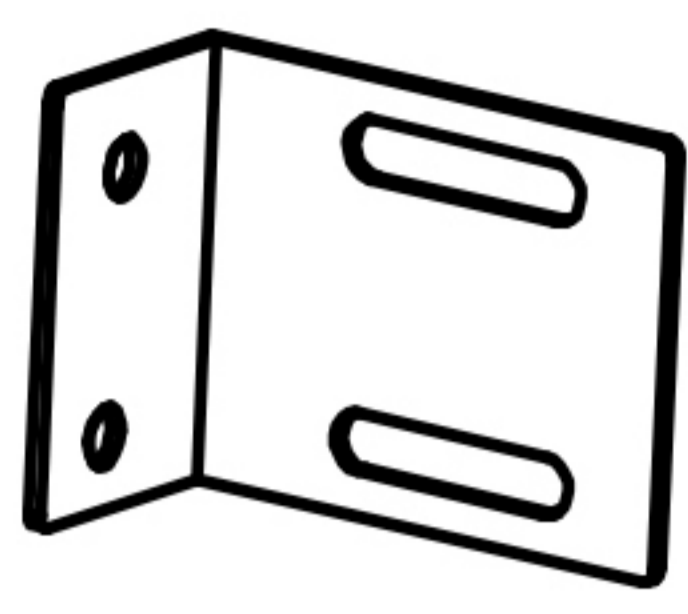
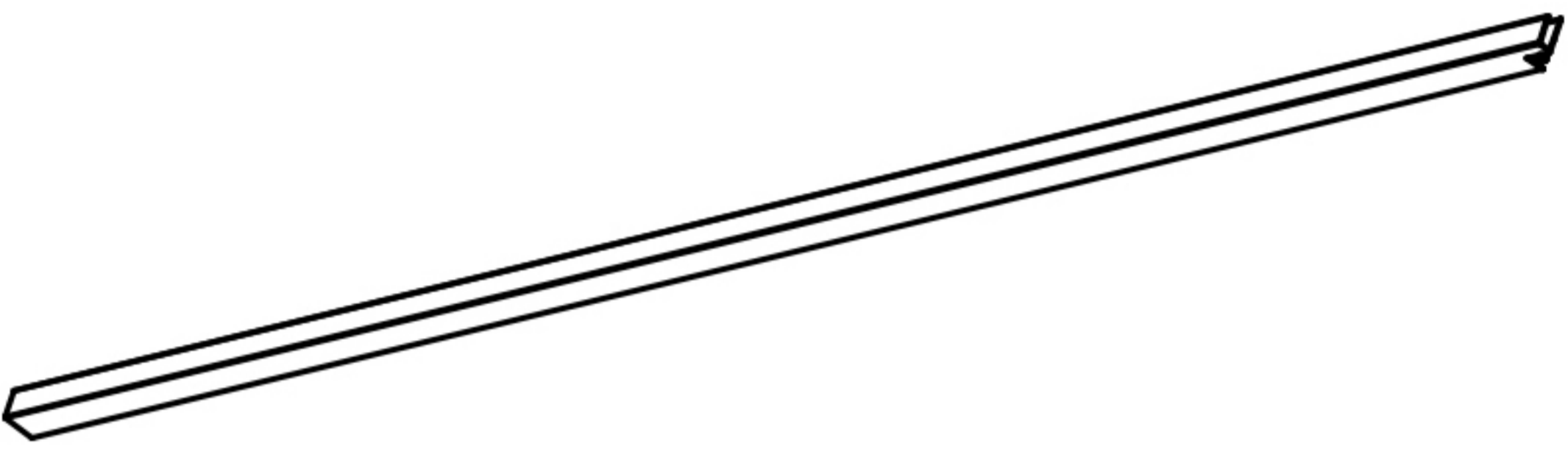
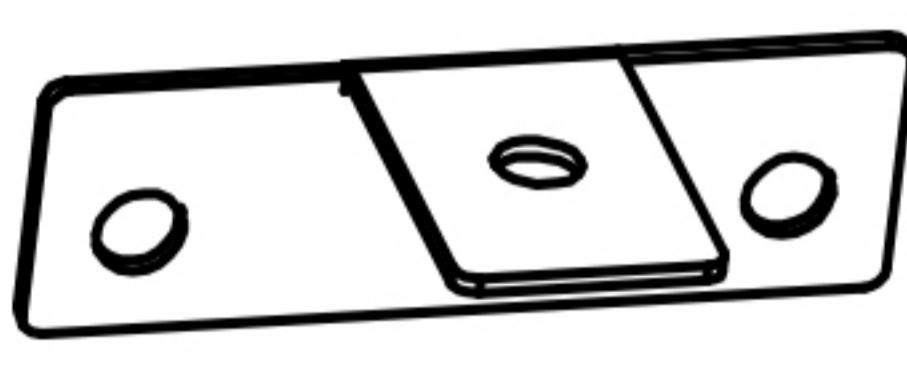
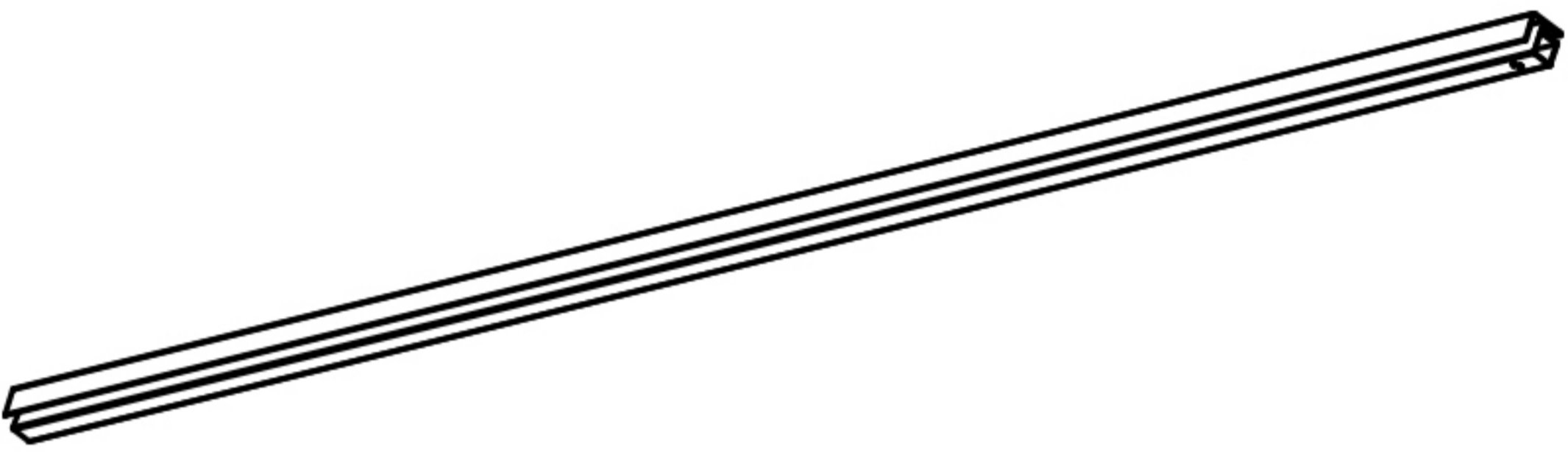
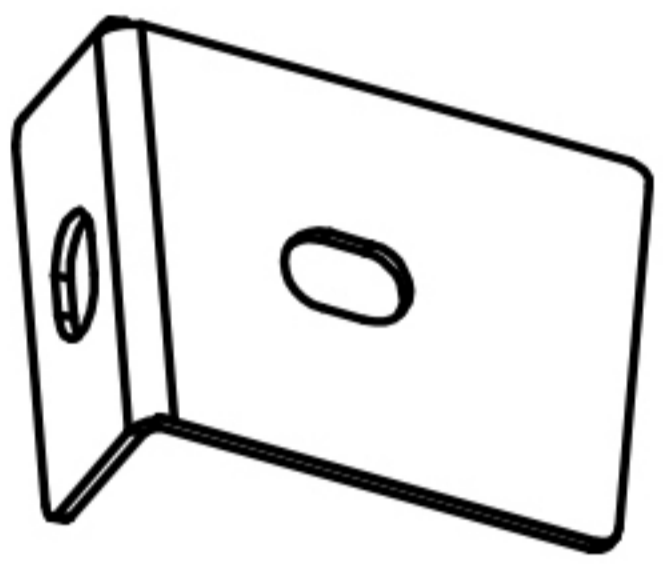

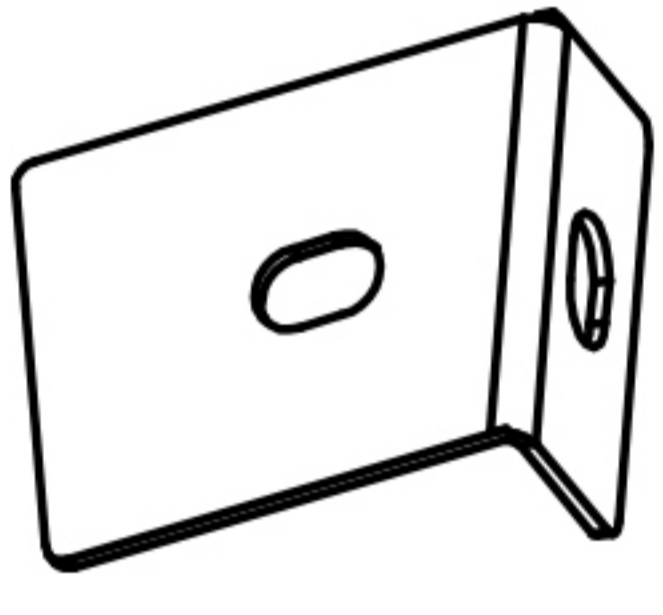
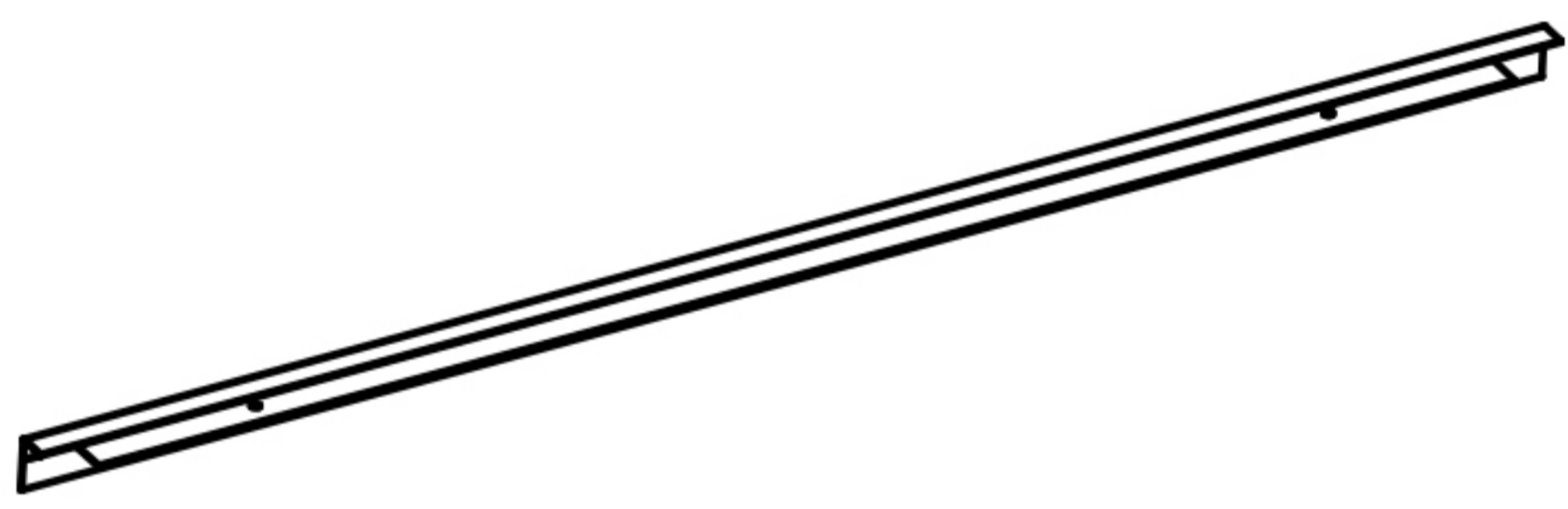
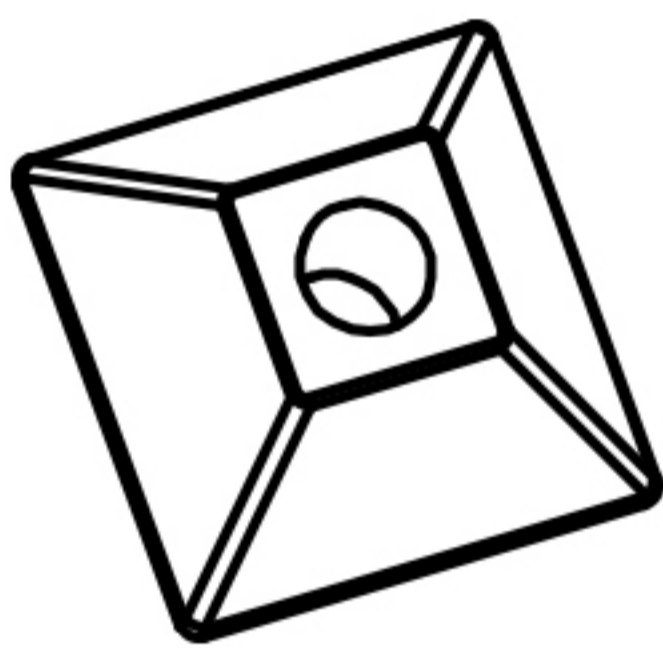
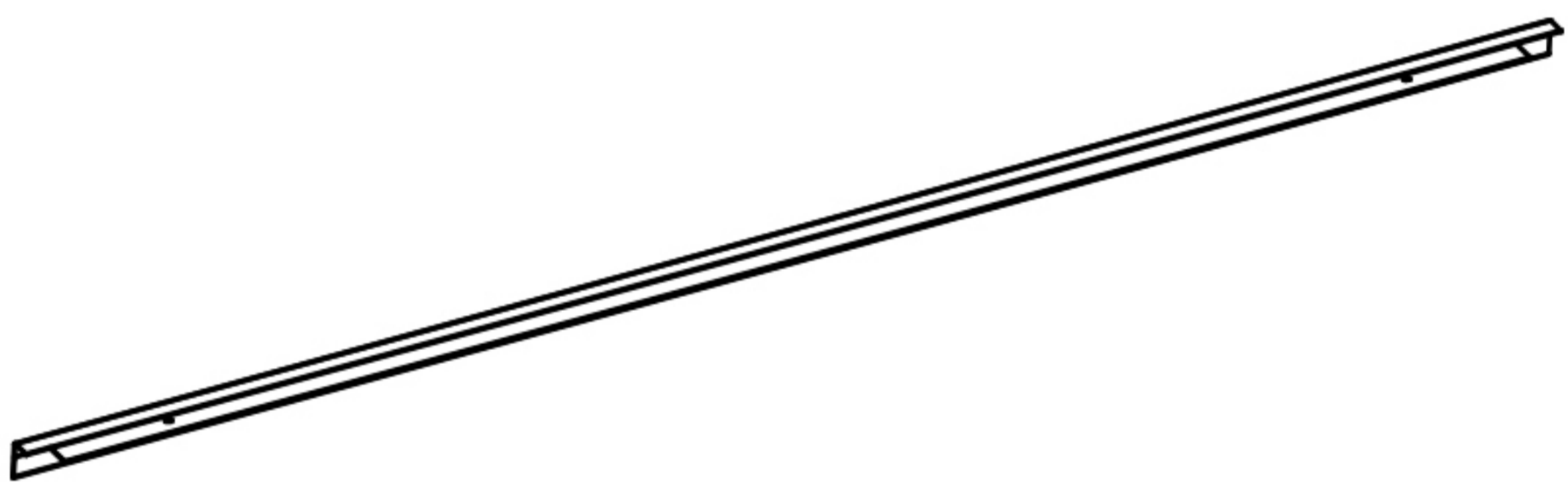
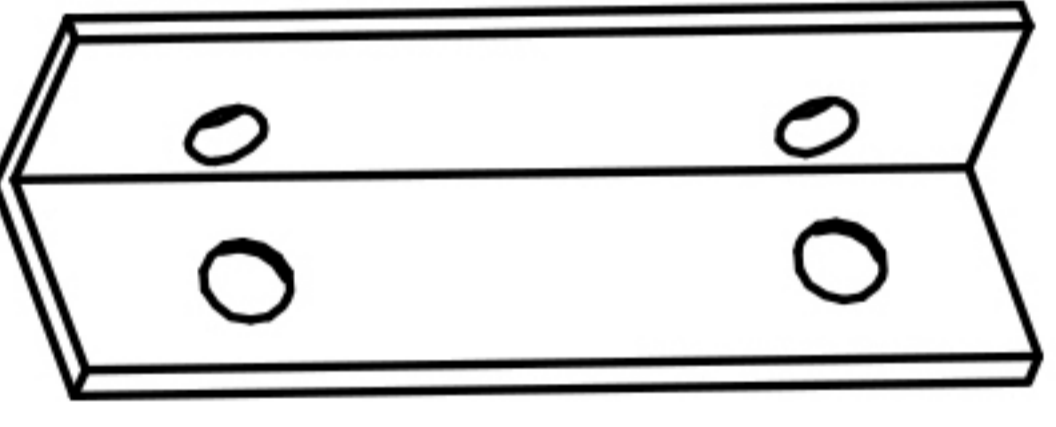
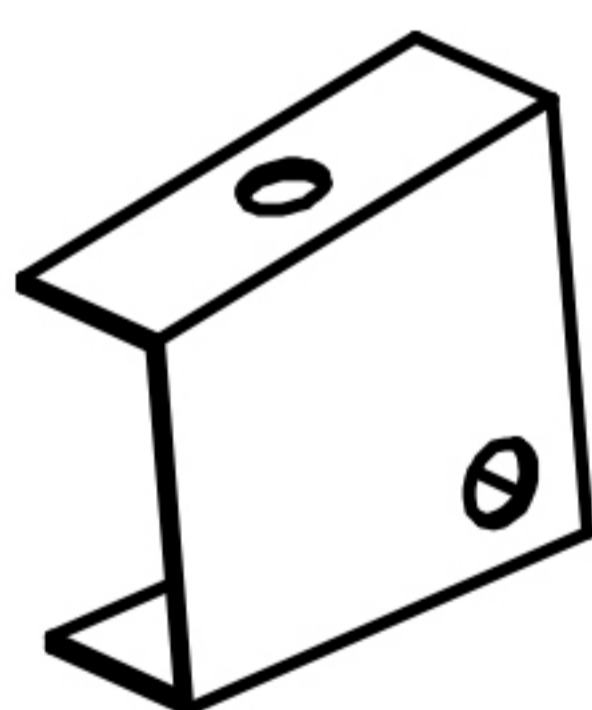
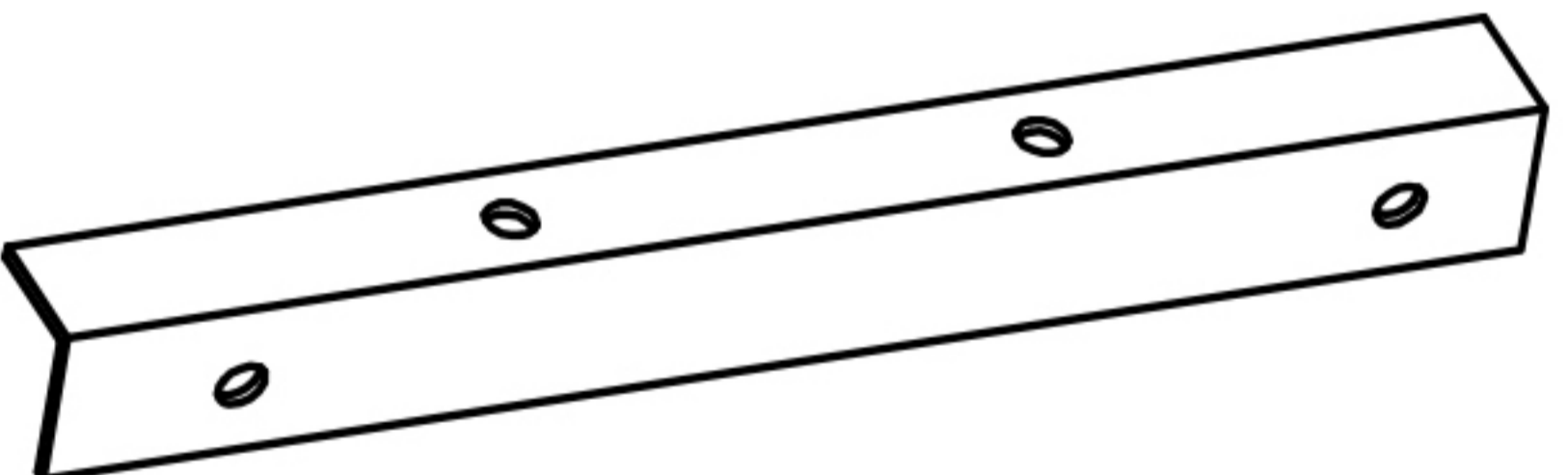
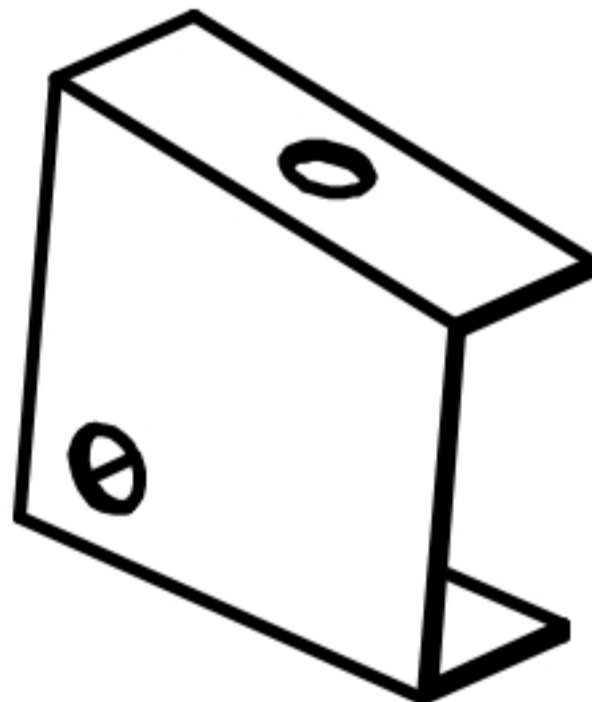
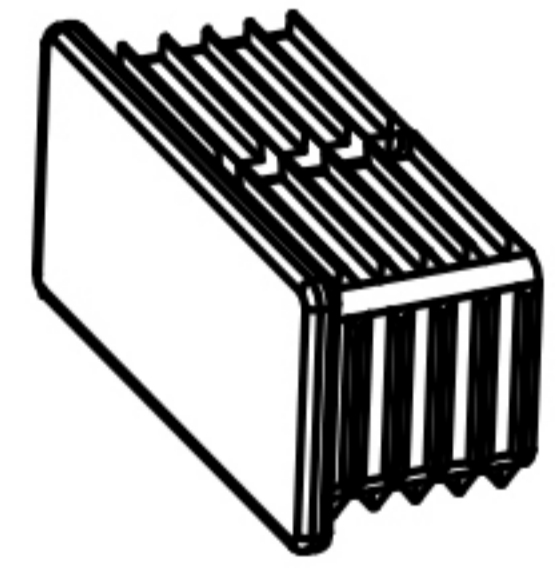
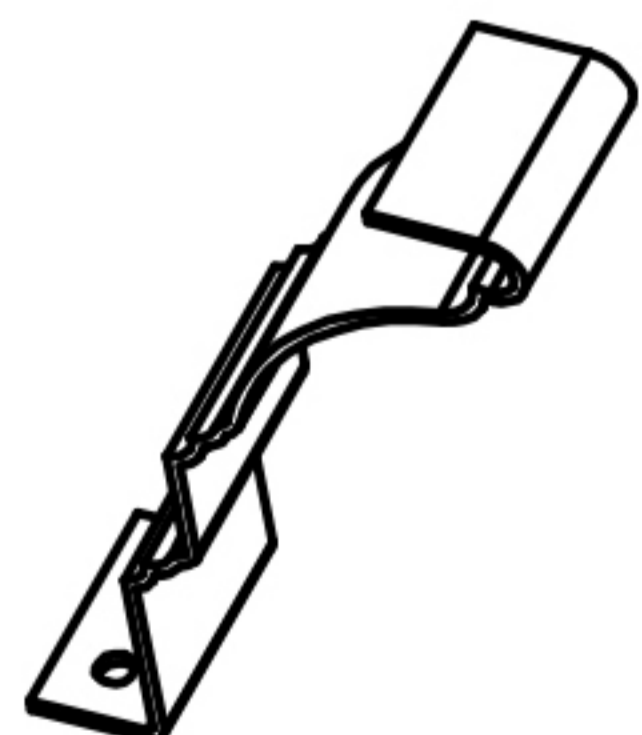
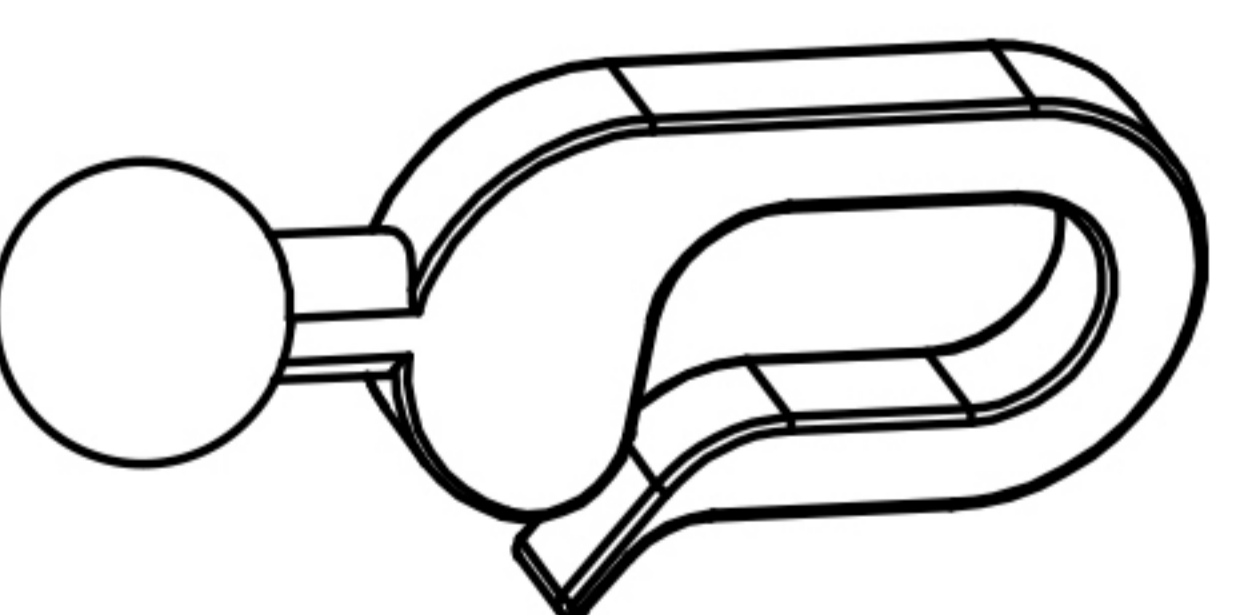
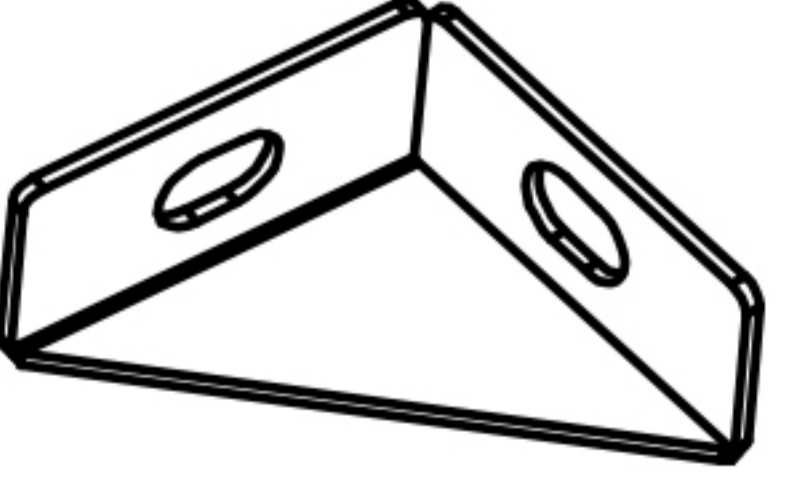
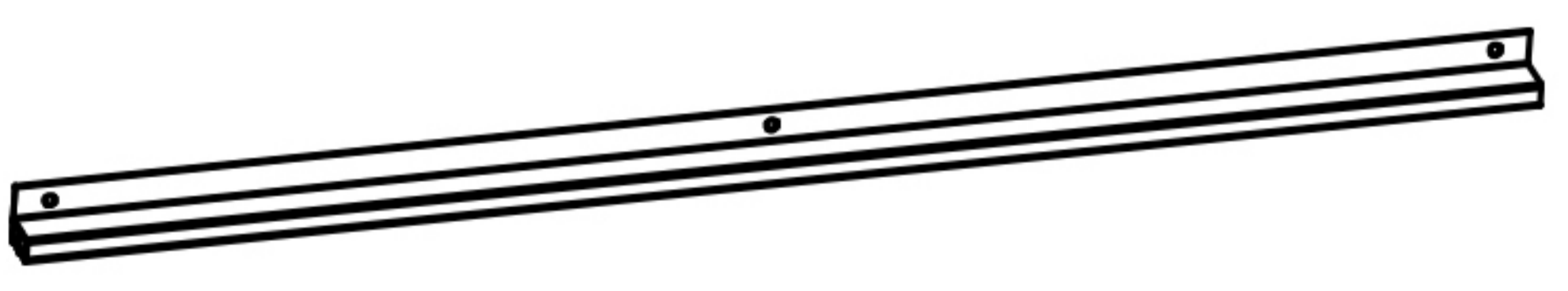


Keep all parts! For missing parts or installation issues, contact us.



E-mail: [cs.helper01@gmail.com](mailto:cs.helper01@gmail.com)

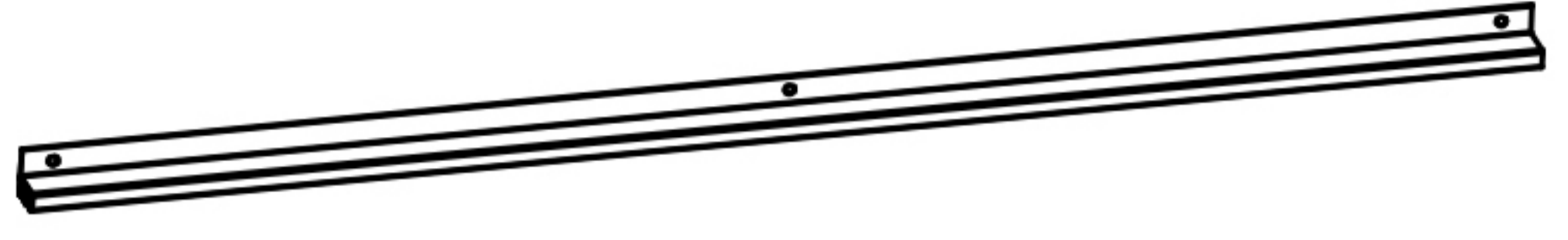
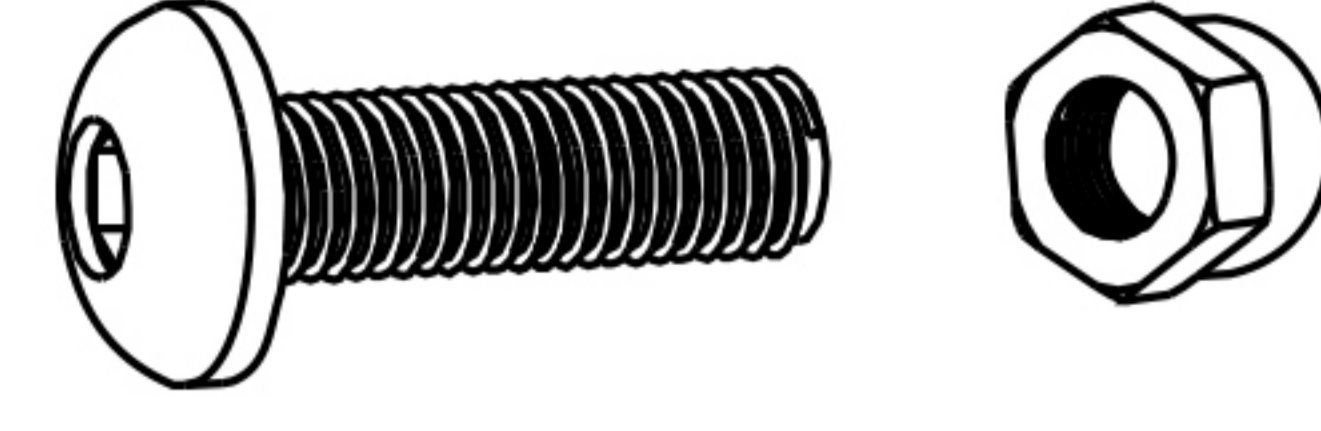
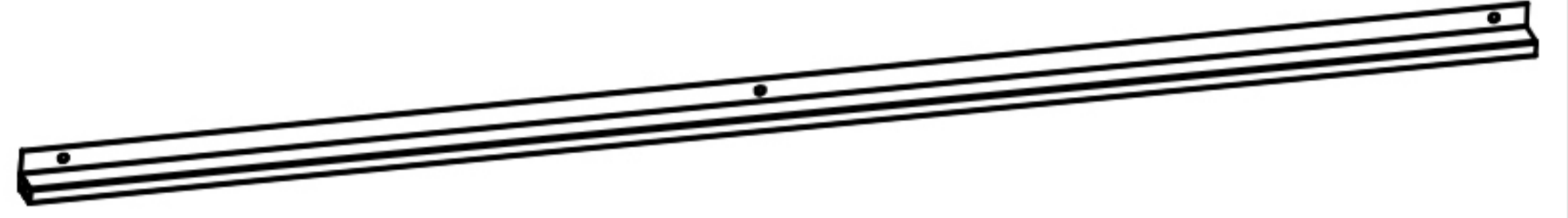
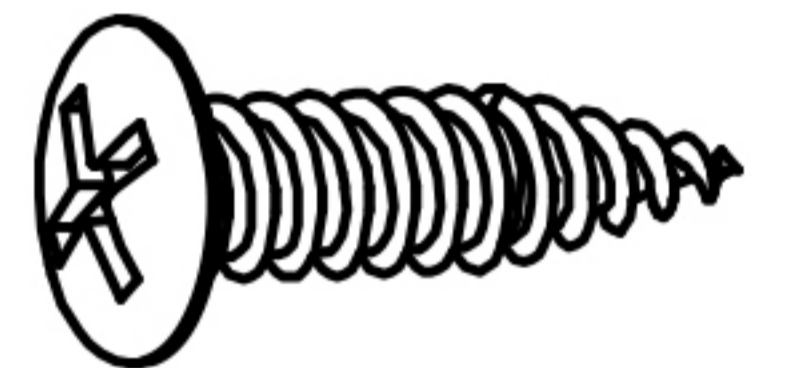
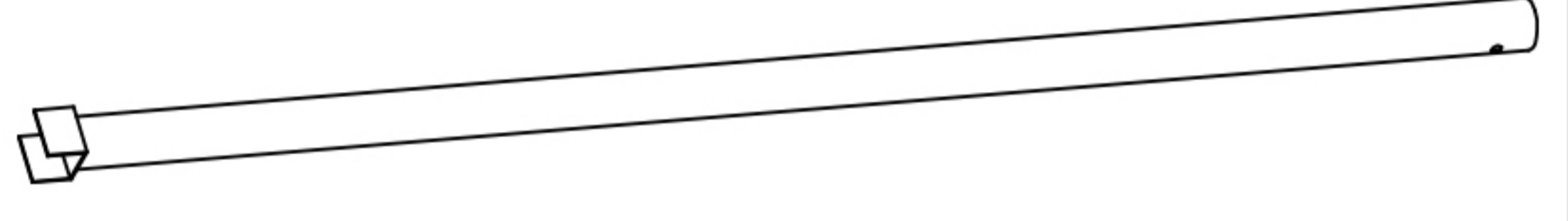
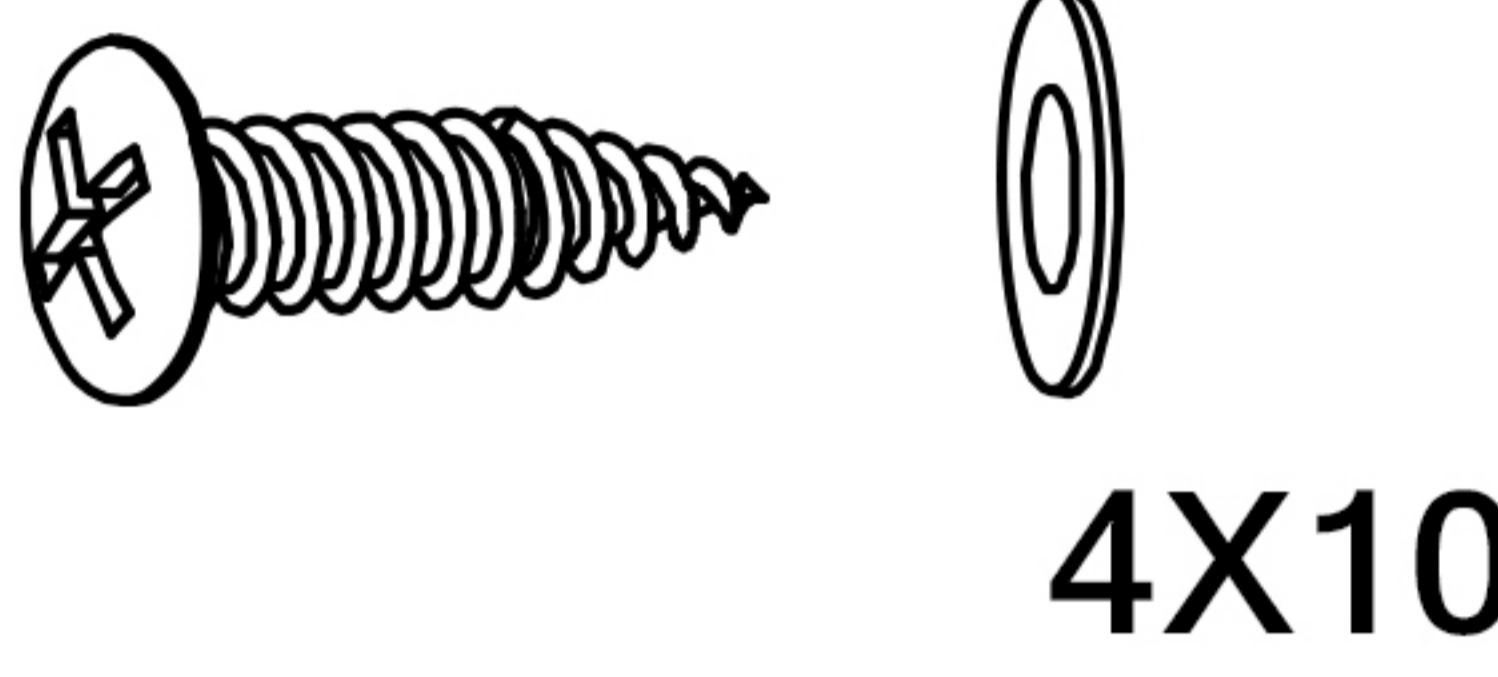
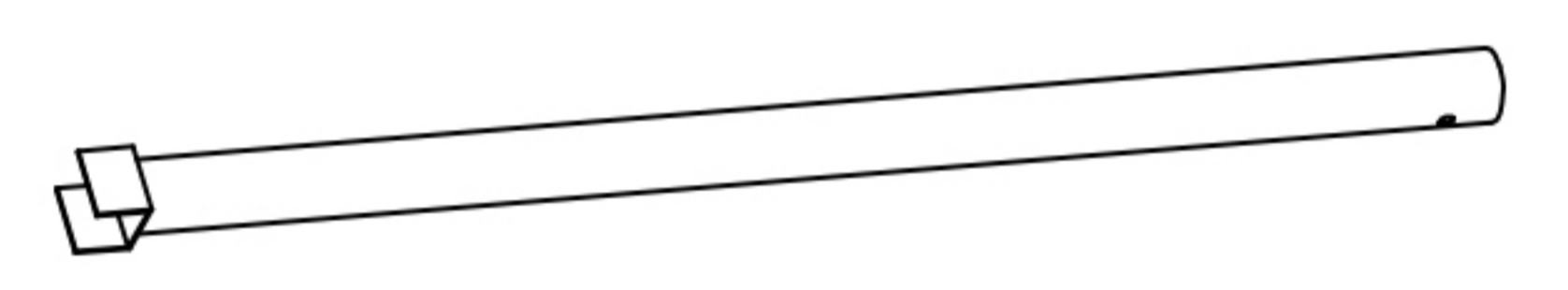
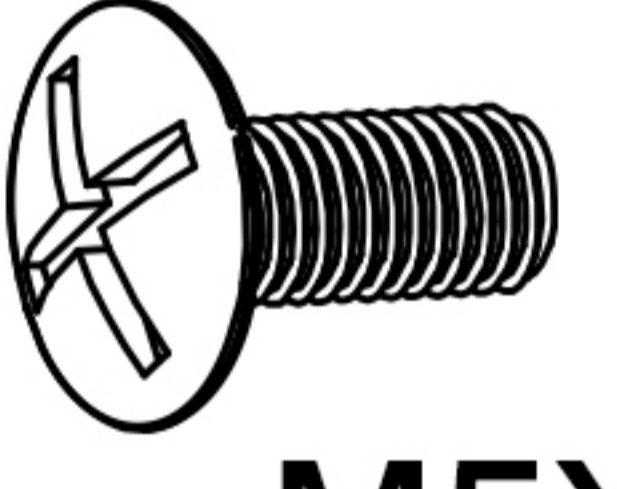
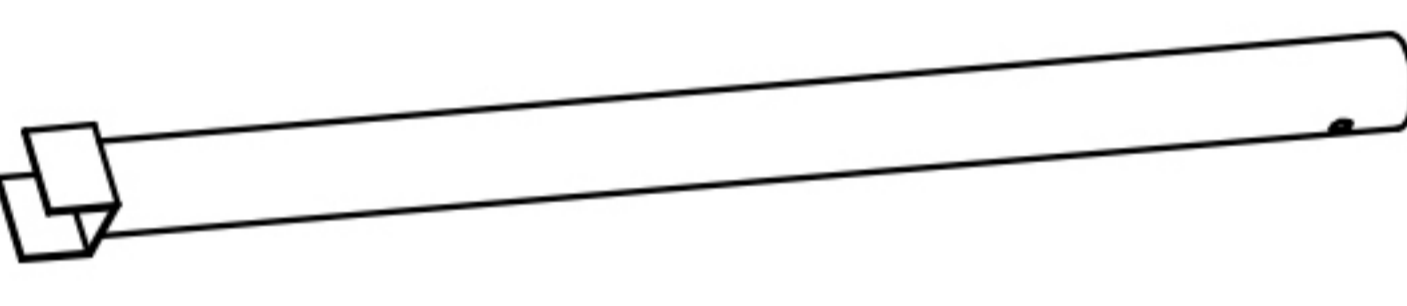
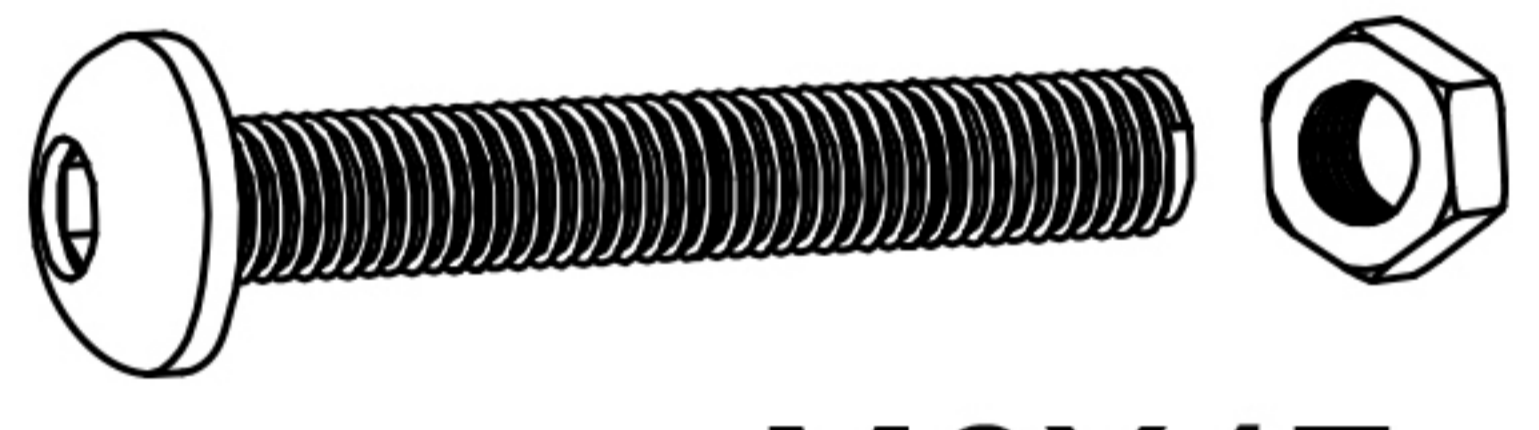
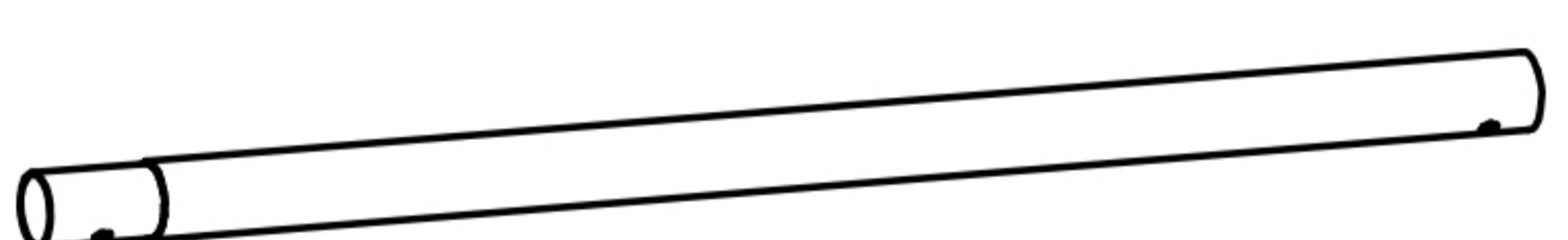

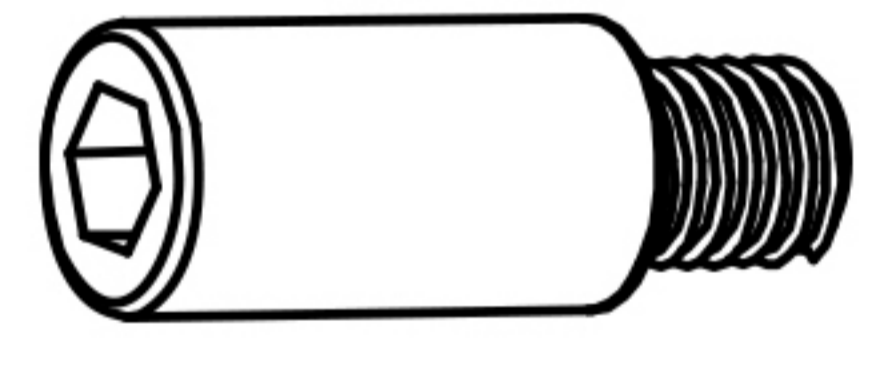

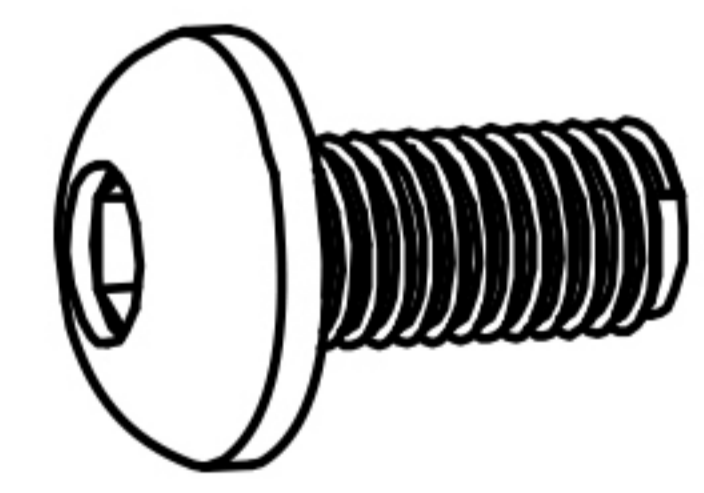
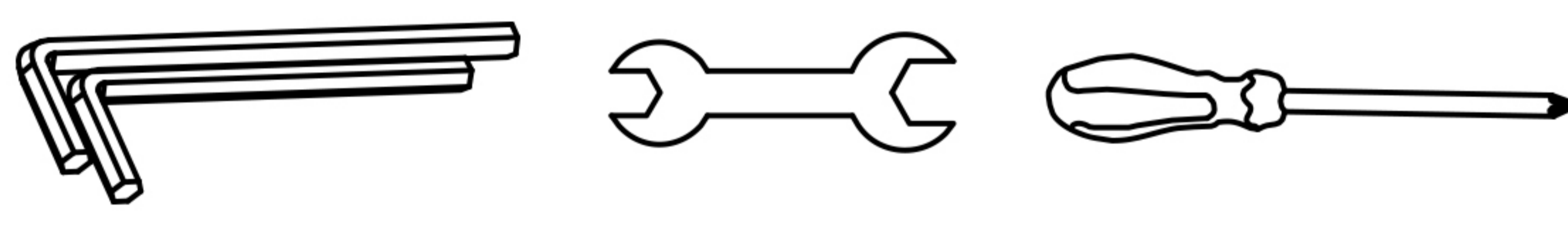
# ACCESSORY CATALOGUE

Item no.	Reference Image	Qty.	Item no.	Reference Image	Qty.
<b>E</b>		1	<b>M1</b>		2
<b>E1</b>		1	<b>M2</b>		1
<b>E2</b>		1	<b>M3</b>		1
<b>E3</b>		1	<b>M4</b>		1
<b>G</b>		1	<b>M5</b>		28
<b>G1</b>		2	<b>M6</b>		2
<b>H1</b>		1	<b>M7</b>		2
<b>H2</b>		1	<b>M8</b>		12
<b>J2</b>		1	<b>Q</b>		64
<b>M</b>		13	<b>S</b>		2

 Keep all parts! For missing parts or installation issues, contact us.

  E-mail: [cs.helper01@gmail.com](mailto:cs.helper01@gmail.com)

# ACCESSORY CATALOGUE

Item no.	Reference Image	Qty.	Item no.	Reference Image	Qty.
S1		2	X2	 M6X20mm	28
W		2	X3	 5X15	52
V		2	X4	 4X10	6
V1		1	X5	 M5X15mm	4
V2		1	X6	 M6X47mm	4
V3		2	X7	 M6X30mm	4
X	 M6X40mm	34			12
X1	 M6X15mm	137			1



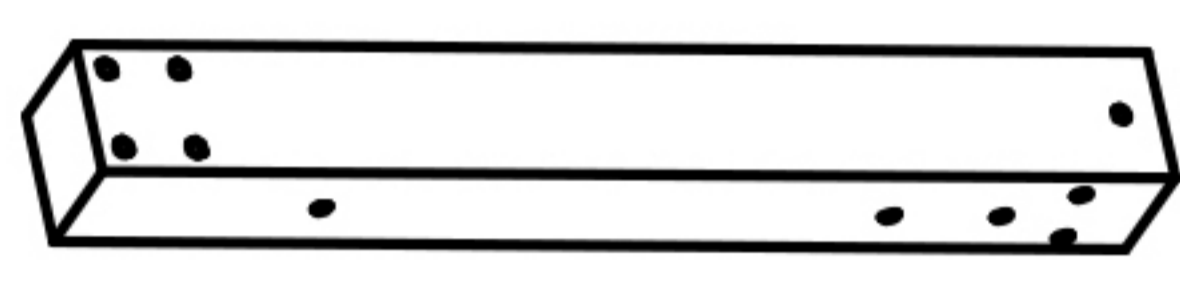
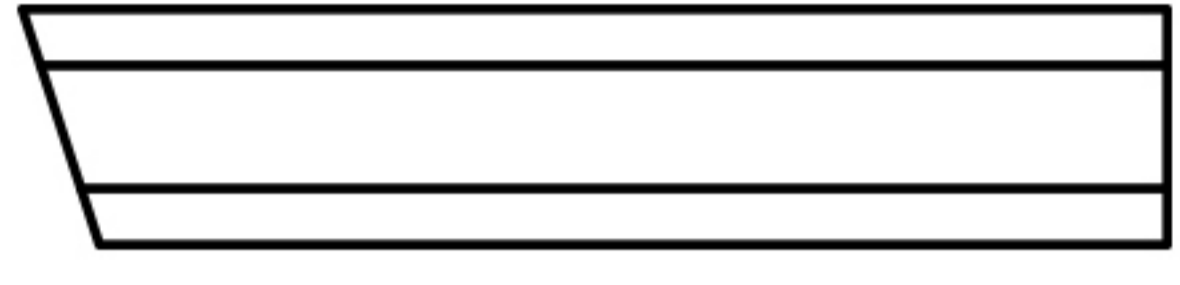
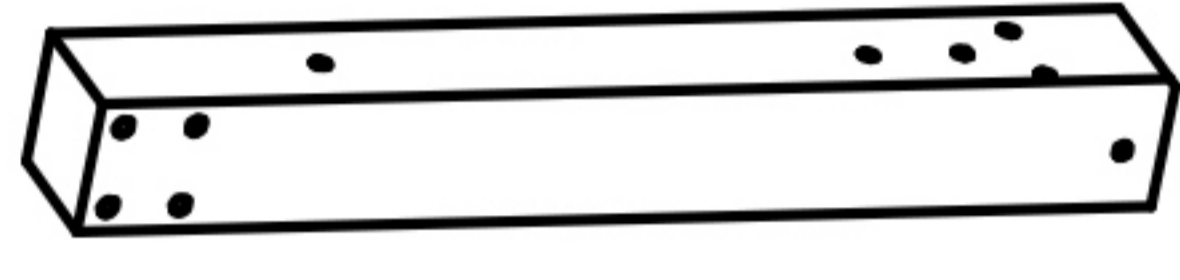
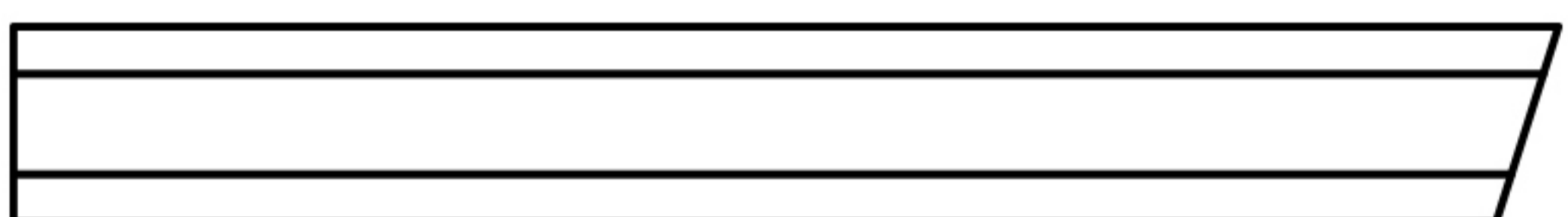
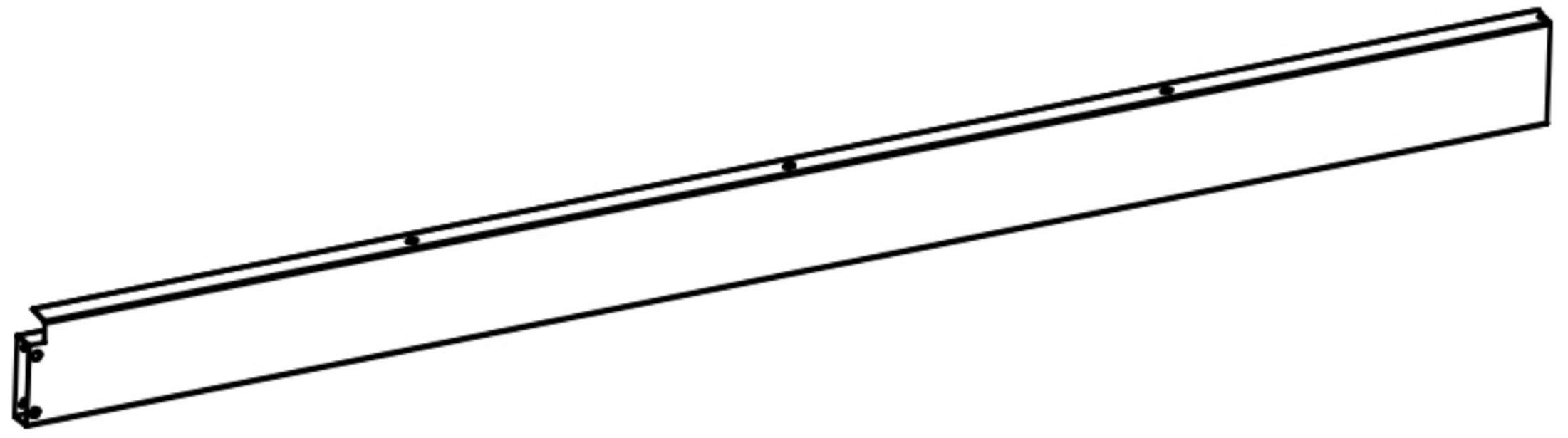
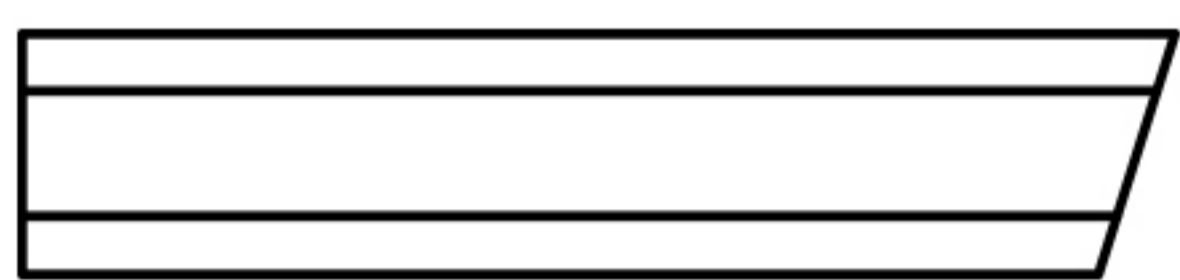
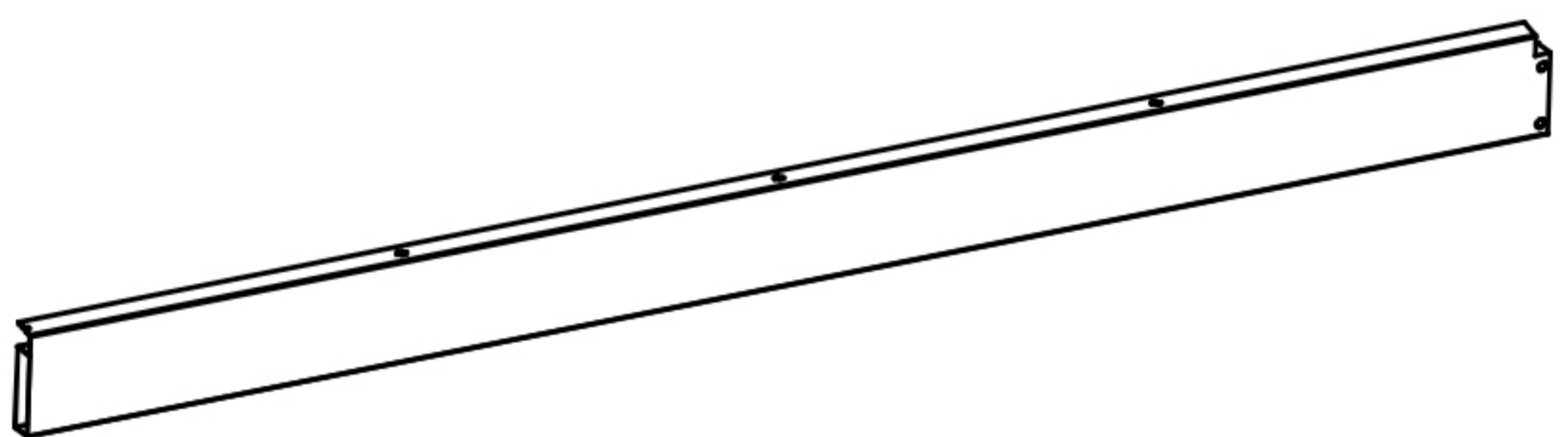
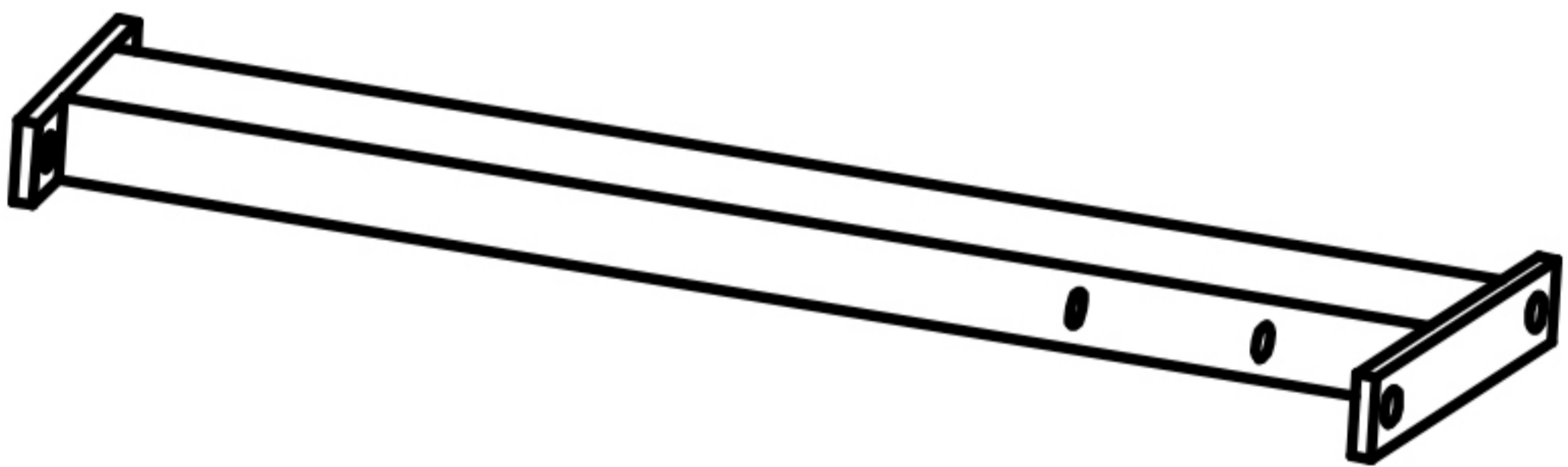
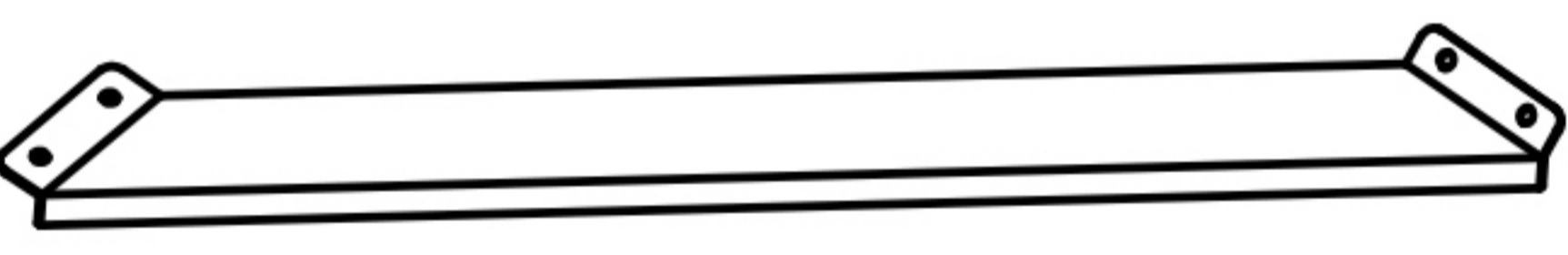
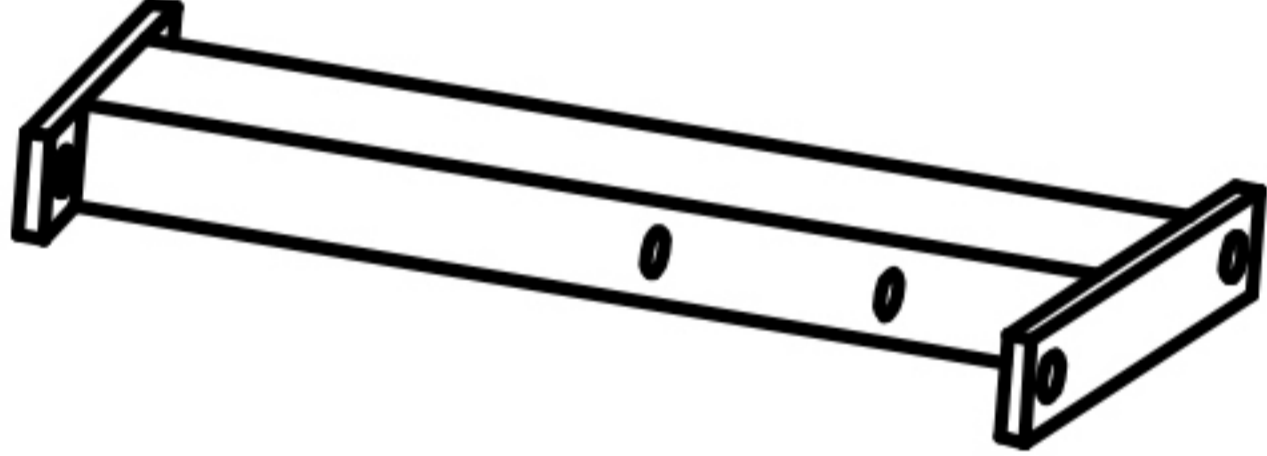
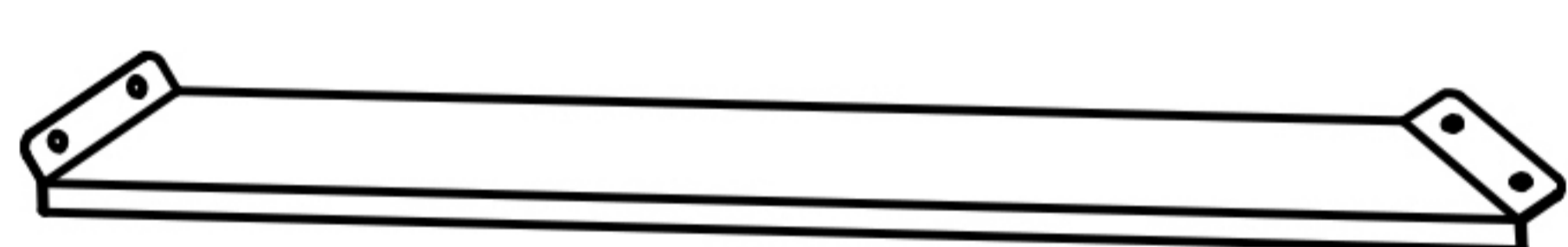
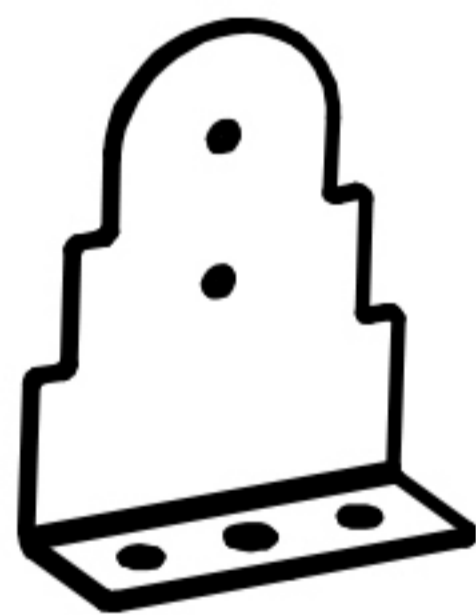
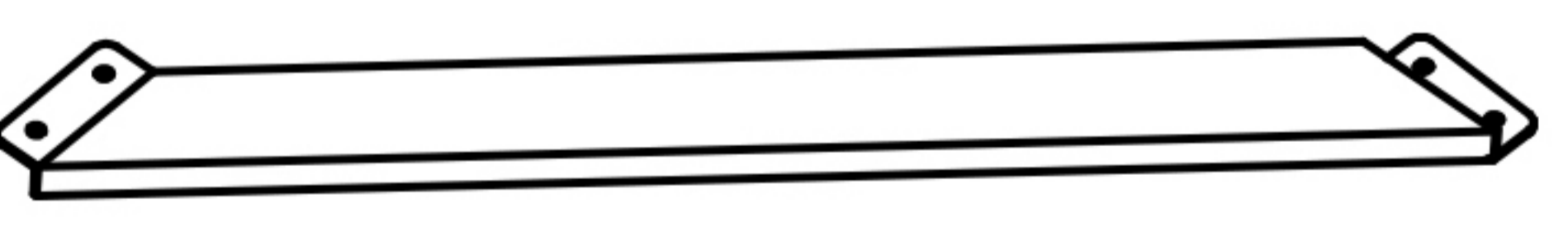
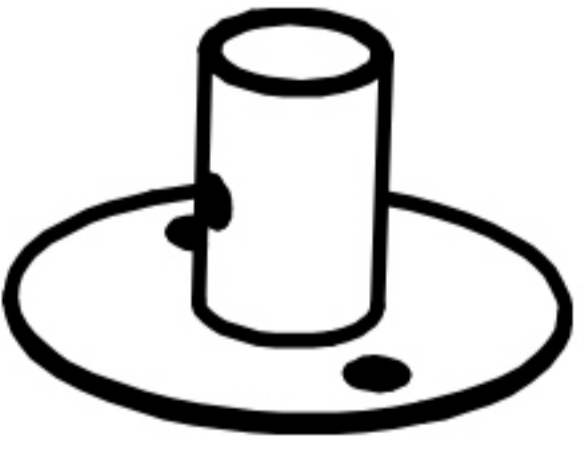
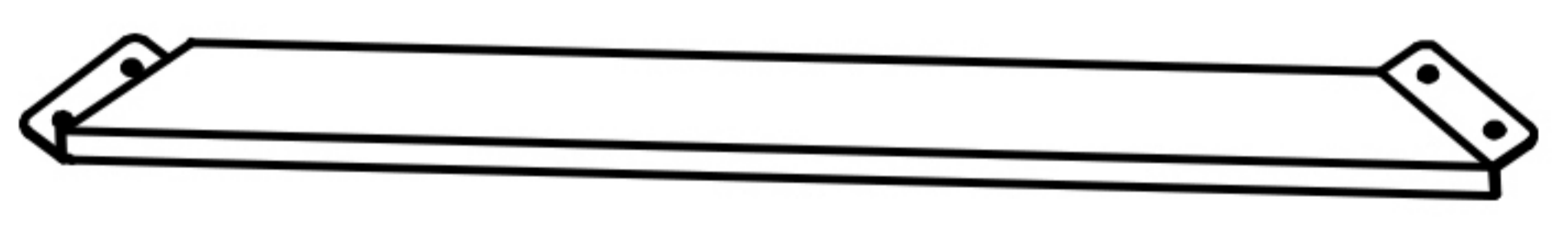
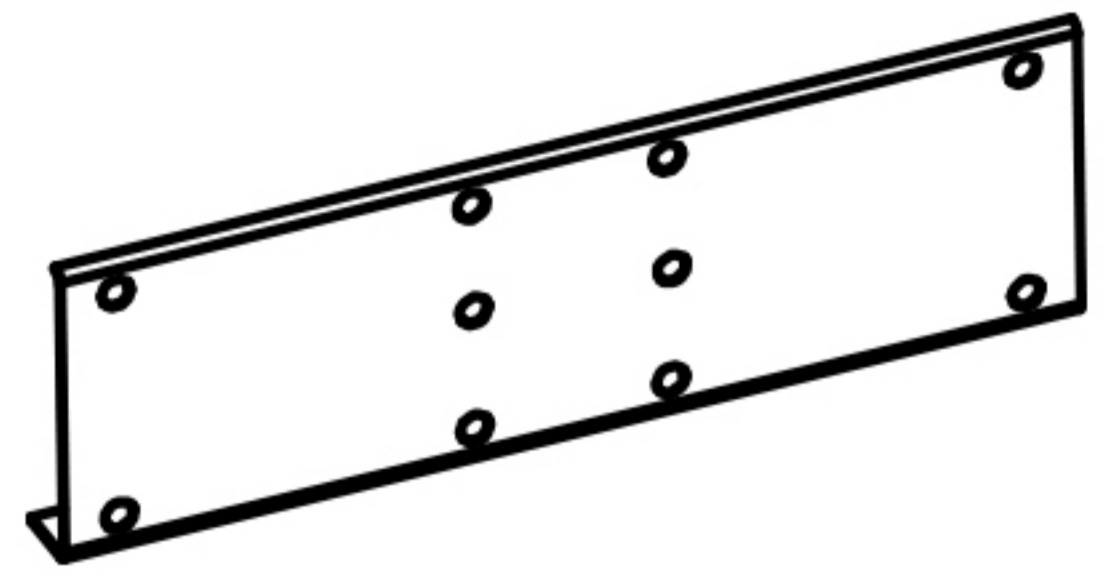
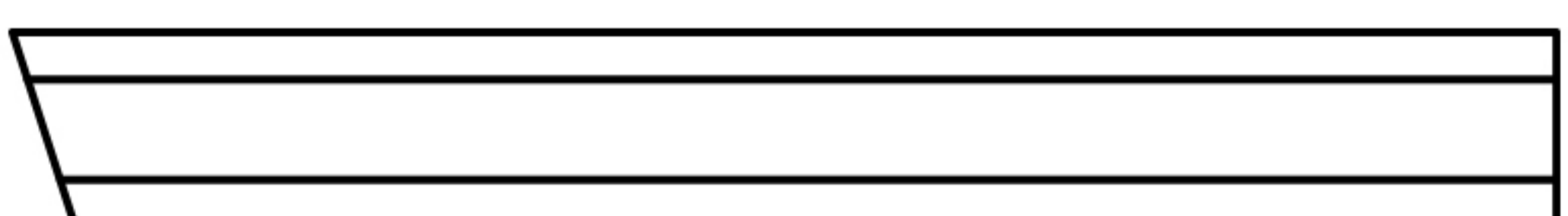

Keep all parts! For missing parts or installation issues, contact us.



E-mail: [cs.helper01@gmail.com](mailto:cs.helper01@gmail.com)

# ACCESSORY CATALOGUE


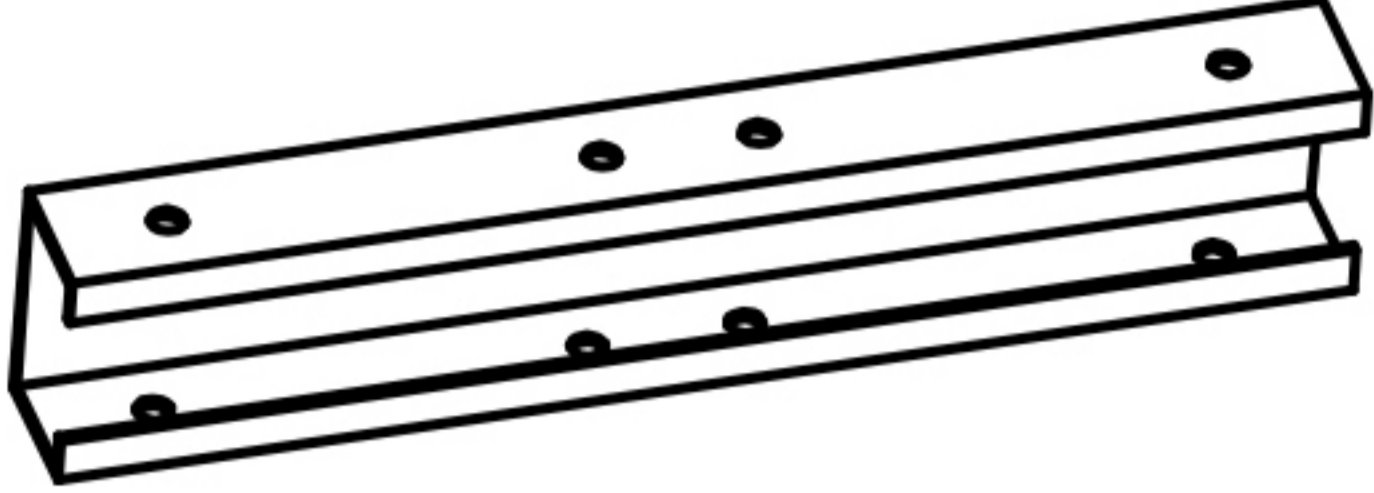
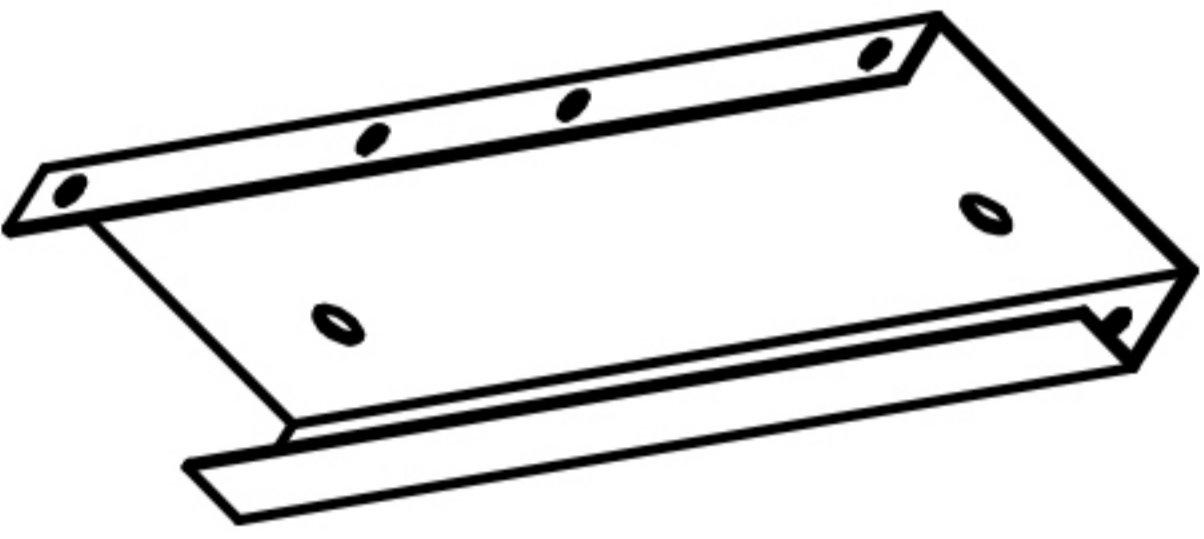
## BOX 3 SKU:B001G085-3

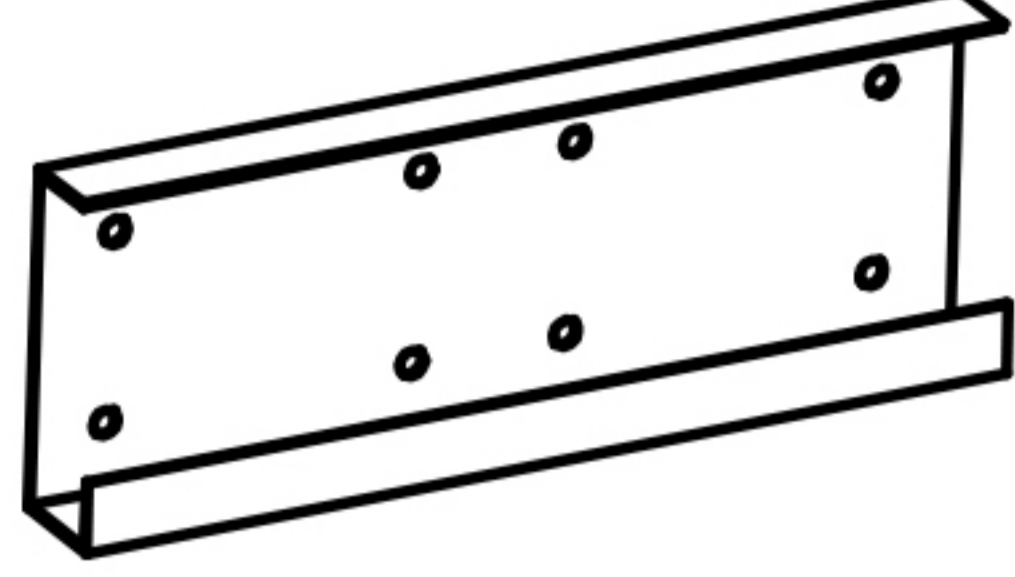
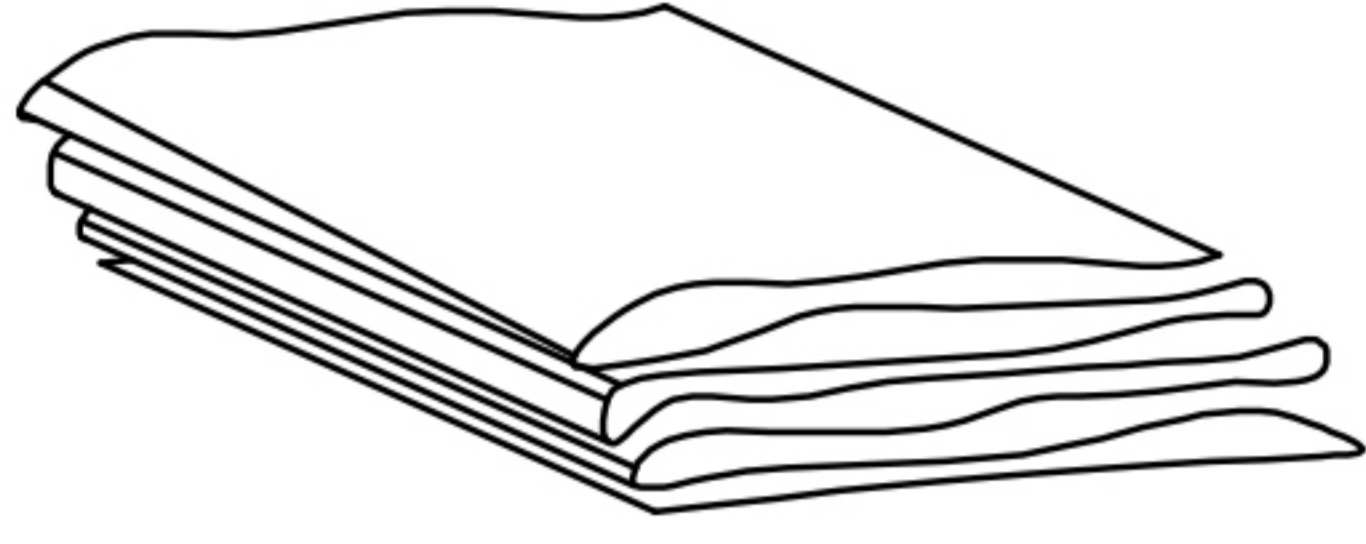
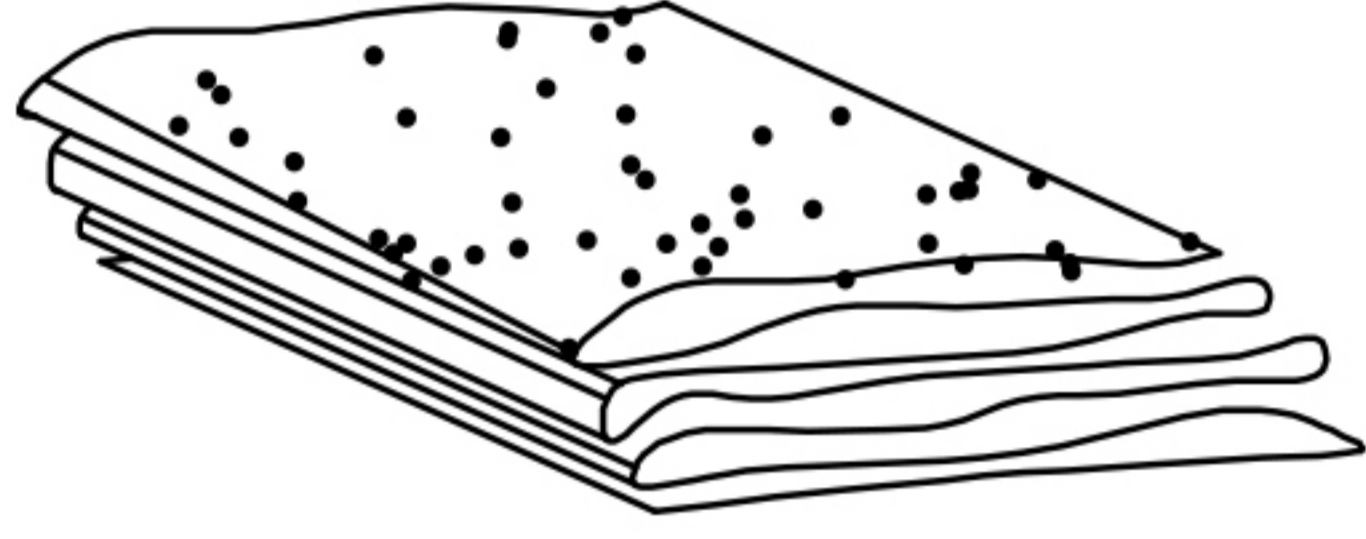
Item no.	Reference Image	Qty.	Item no.	Reference Image	Qty.
A2		1	I2		1
A3		1	I3		1
C		2	I4		1
C1		2	K		2
F		2	K1		2
F1		2	L		10
F2		2	L2		4
F3		2	P		1
I1		1	R1		1

! Keep all parts! For missing parts or installation issues, contact us.

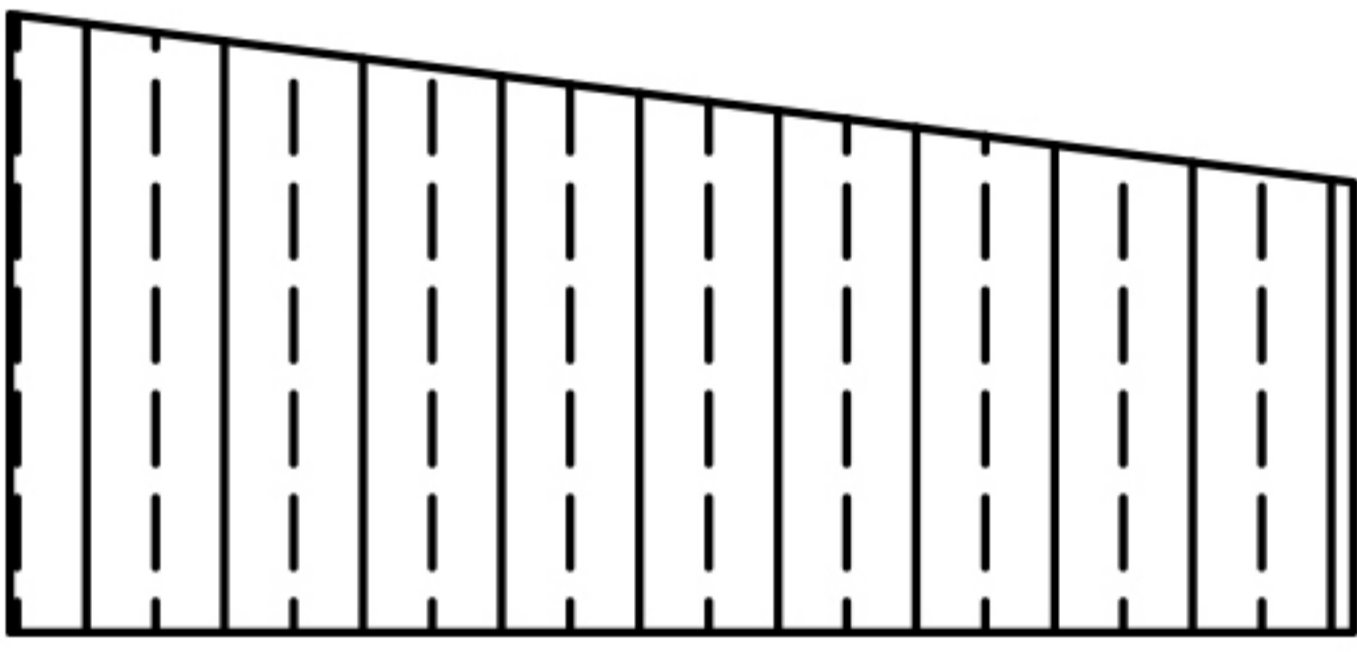
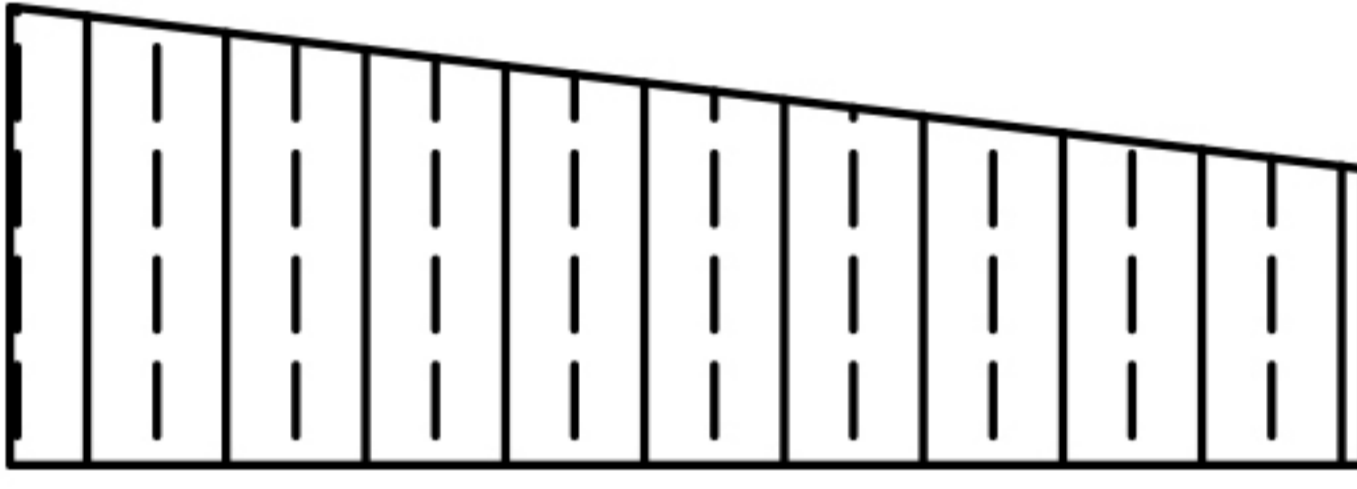
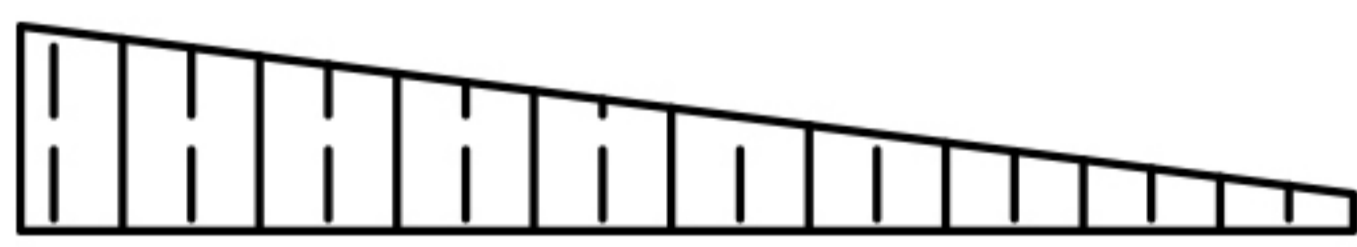
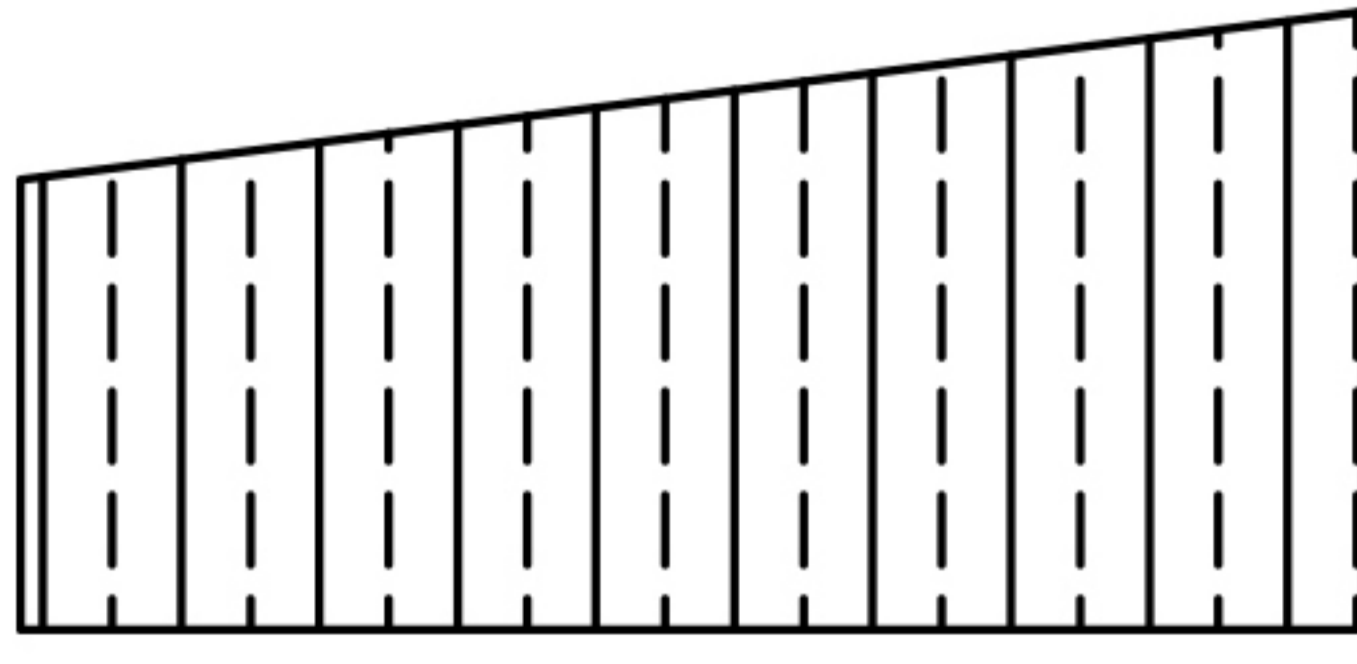
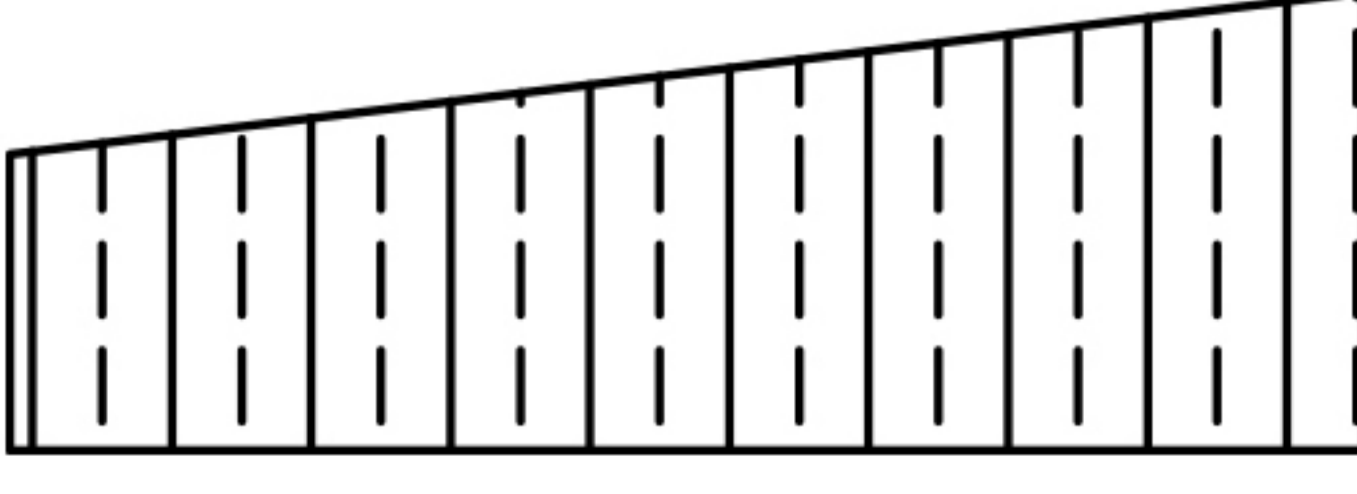
➔ ✉ E-mail: [cs.helper01@gmail.com](mailto:cs.helper01@gmail.com)

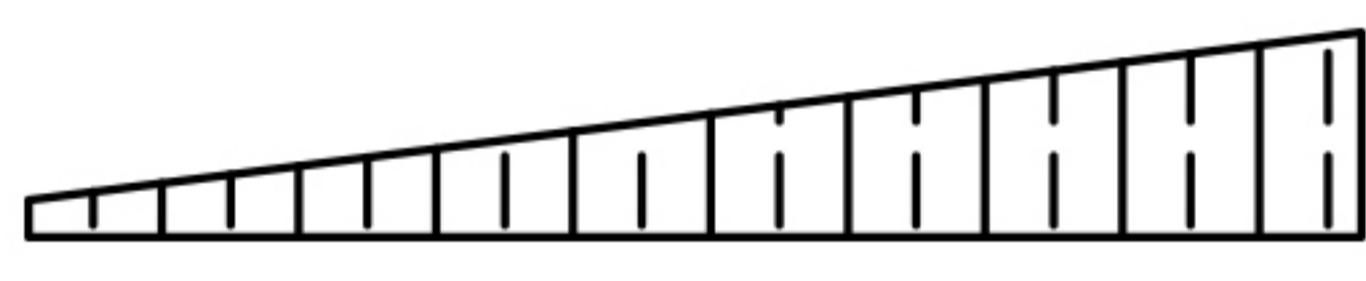




# ACCESSORY CATALOGUE

Item no.	Reference Image	Qty.
<b>R2</b>		1
<b>T</b>		1
<b>T1</b>		2

Item no.	Reference Image	Qty.
<b>T2</b>		2
<b>Z</b>		1
<b>Z1</b>		1

## BOX 4 SKU:B001G085-4

Item no.	Reference Image	Qty.
<b>Y1</b>		1
<b>Y2</b>		1
<b>Y3</b>		1
<b>Y4</b>		1
<b>Y5</b>		1

Item no.	Reference Image	Qty.
<b>Y6</b>		1
<b>N1</b>		1
<b>N2</b>		1
<b>N3</b>		1
<b>N4</b>		6



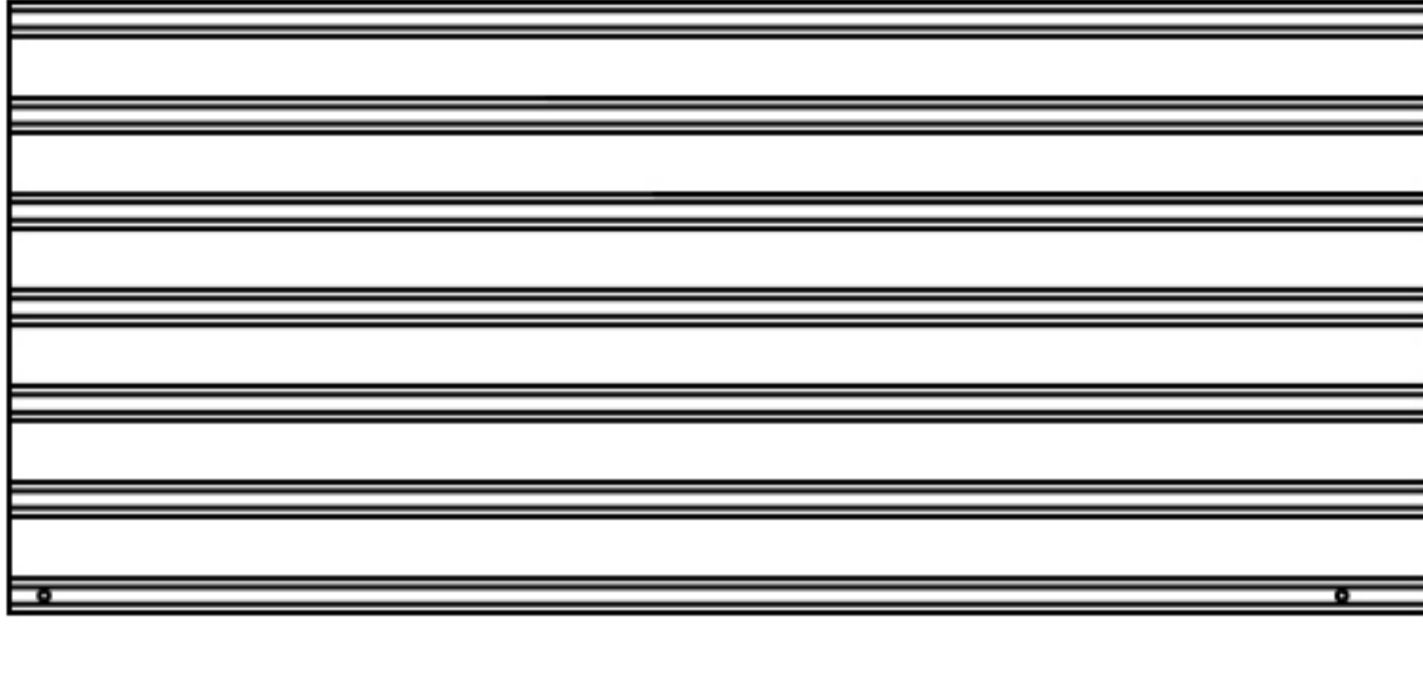




Keep all parts! For missing parts or installation issues, contact us.

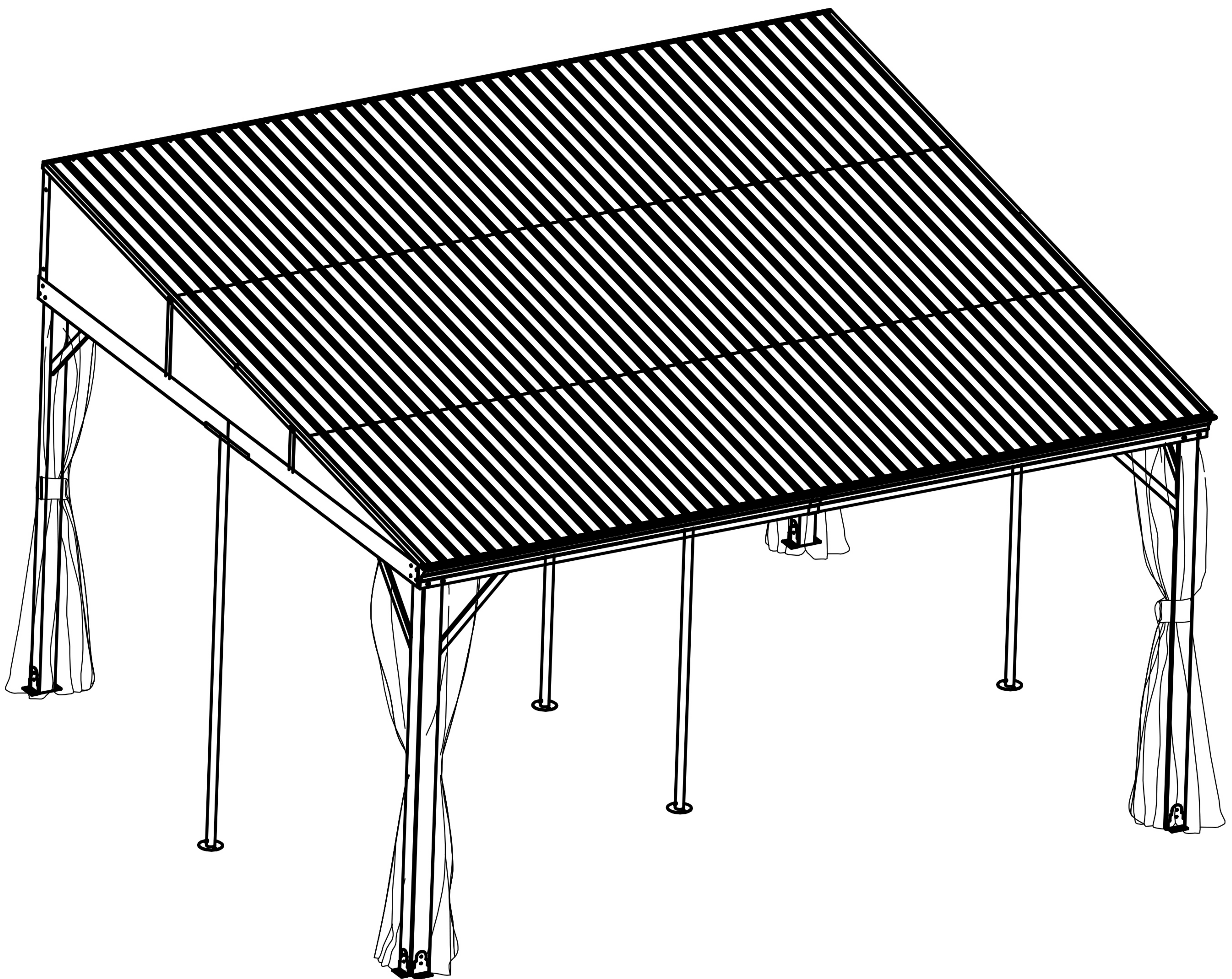


E-mail: [cs.helper01@gmail.com](mailto:cs.helper01@gmail.com)

# ACCESSORY CATALOGUE

Item no.	Reference Image	Qty.
<b>N5</b>		<b>6</b>
<b>N6</b>		<b>6</b>
<b>N7</b>		<b>1</b>

Item no.	Reference Image	Qty.
<b>N8</b>		<b>1</b>
<b>N9</b>		<b>1</b>

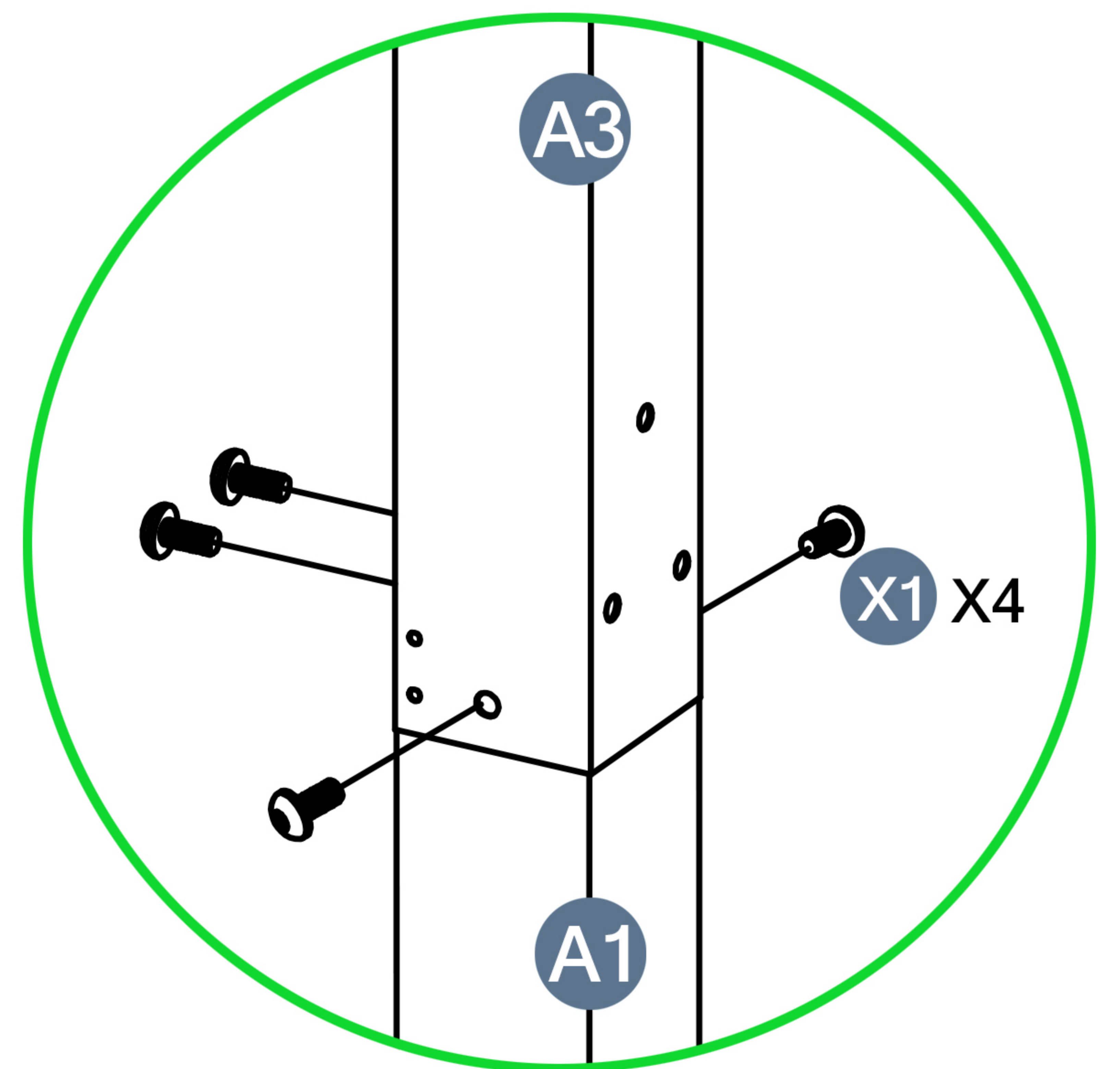
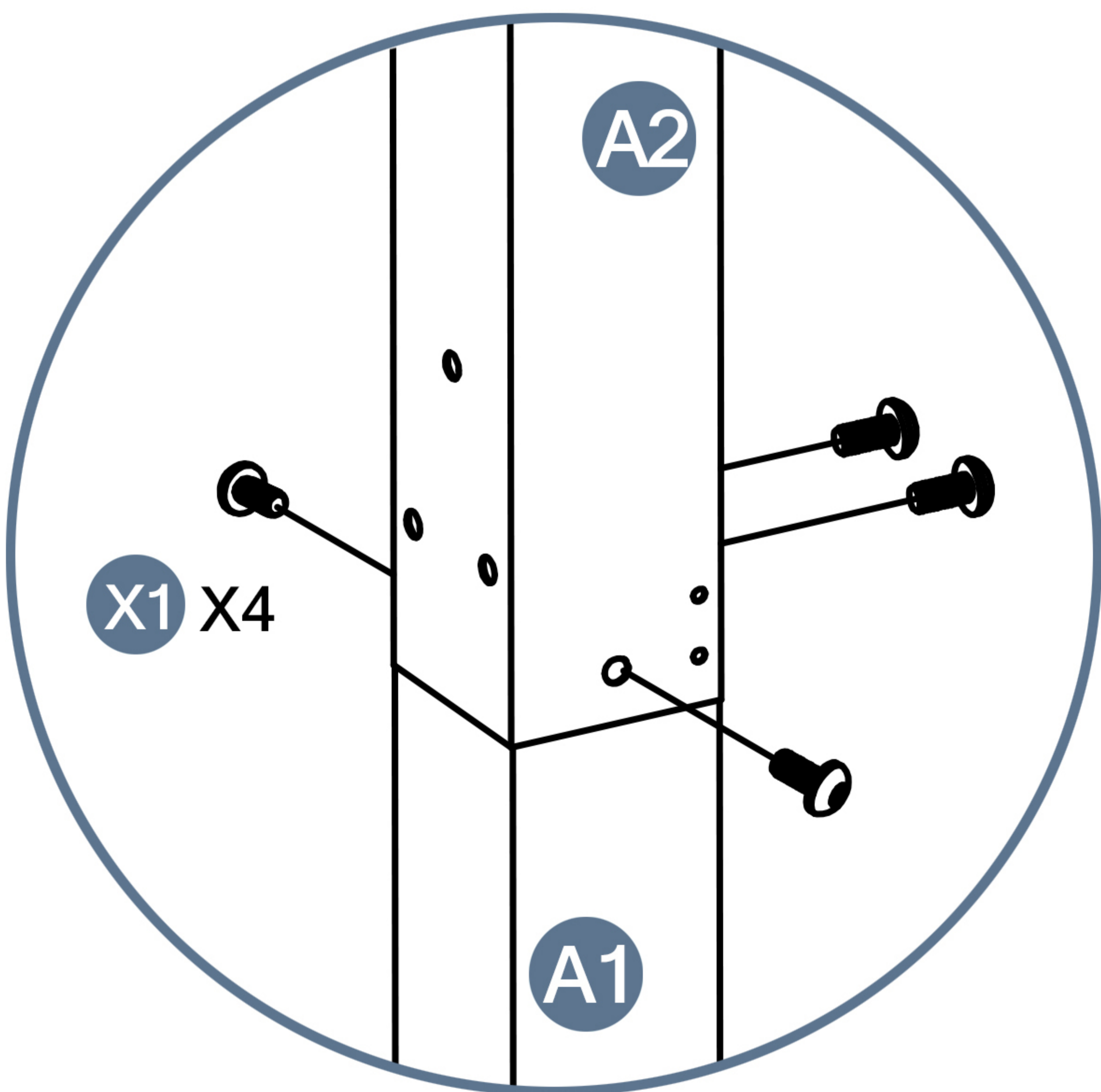
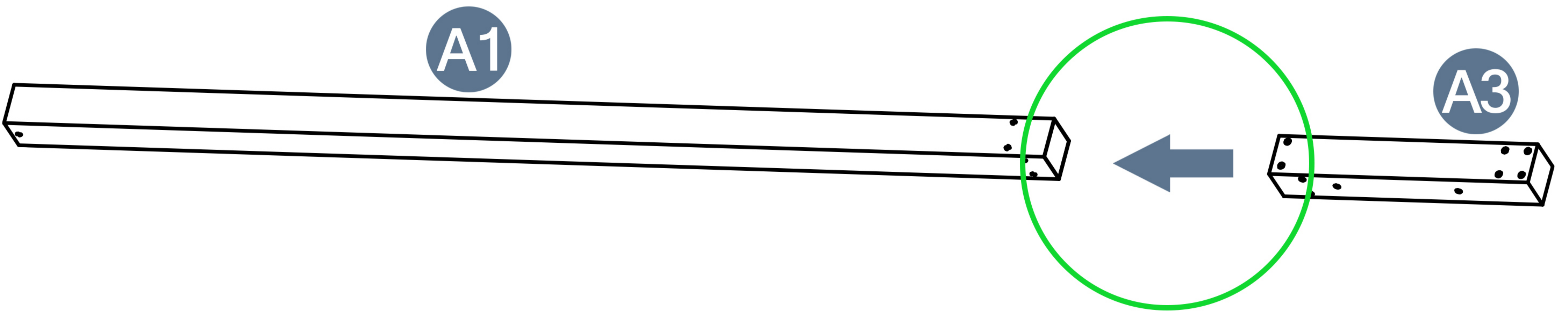
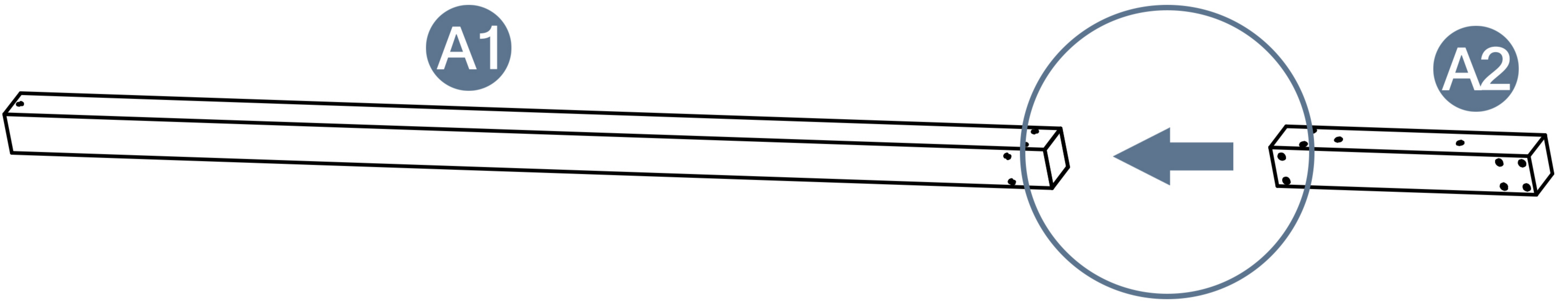
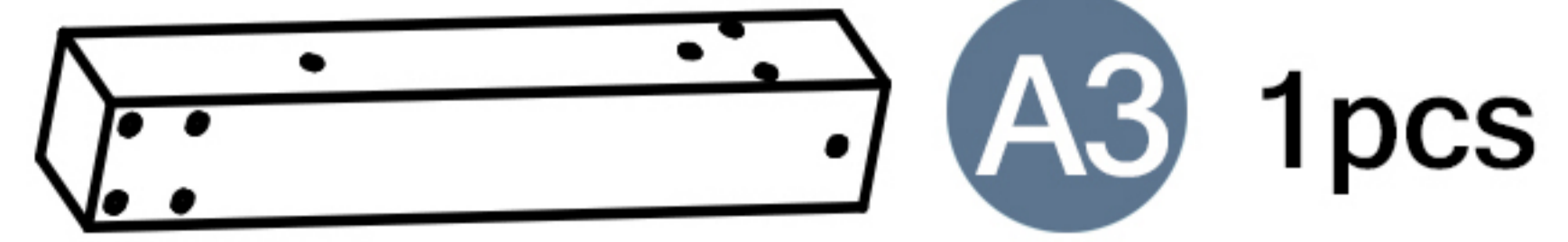
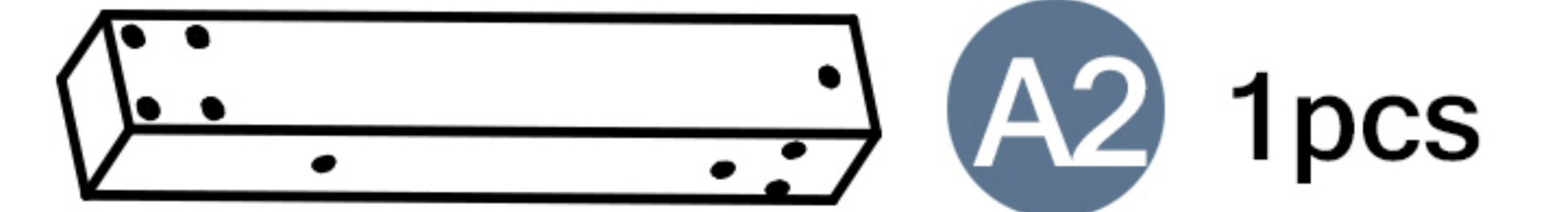
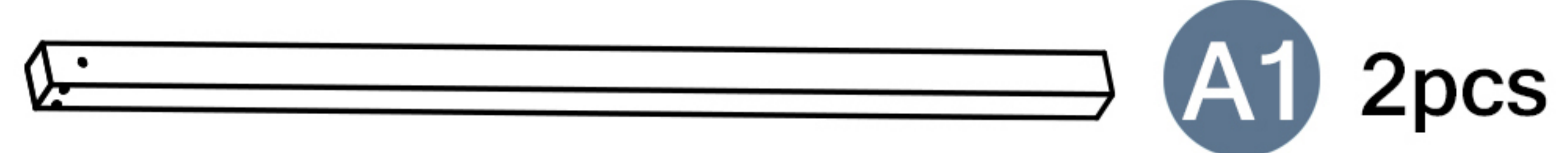


 Keep all parts! For missing parts or installation issues, contact us.

  E-mail: [cs.helper01@gmail.com](mailto:cs.helper01@gmail.com)

# STEP 1

Parts required



⚠ Keep all parts! For missing parts or installation issues, contact us.

➔ ✉ E-mail: [cs.helper01@gmail.com](mailto:cs.helper01@gmail.com)

# STEP 2

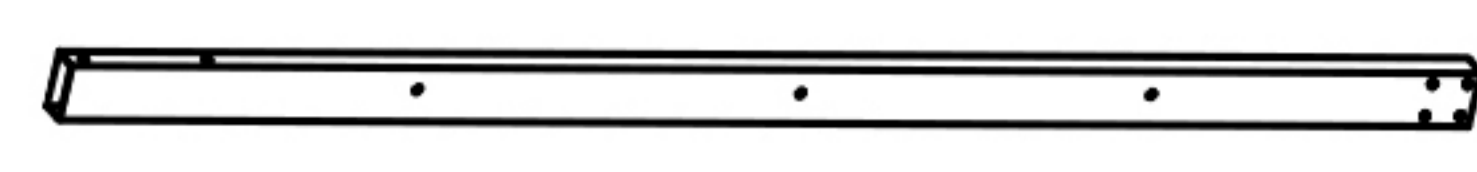
Parts required



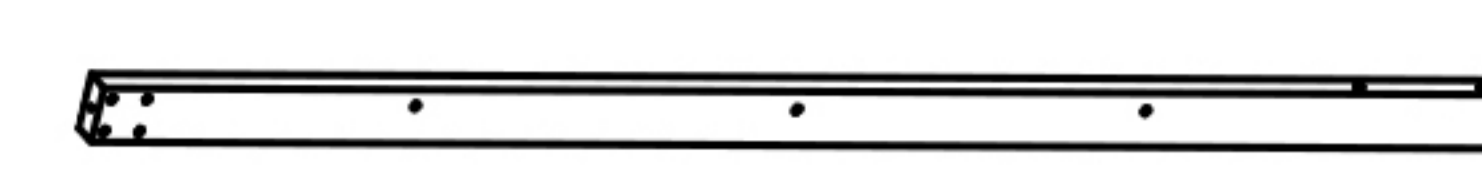
B 1pcs



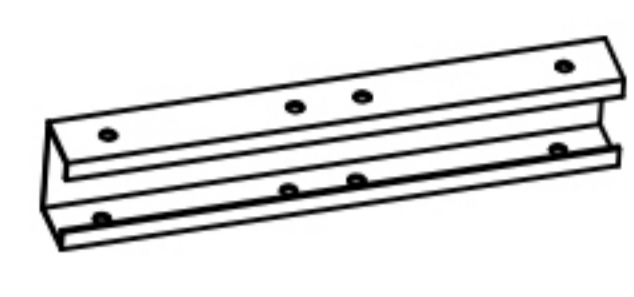
B1 1pcs



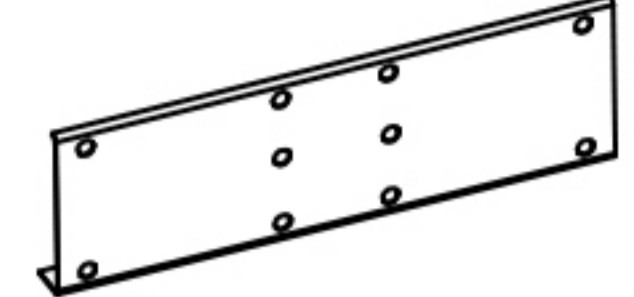
B2 1pcs



B3 1pcs



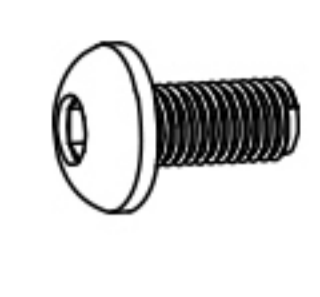
T 1pcs



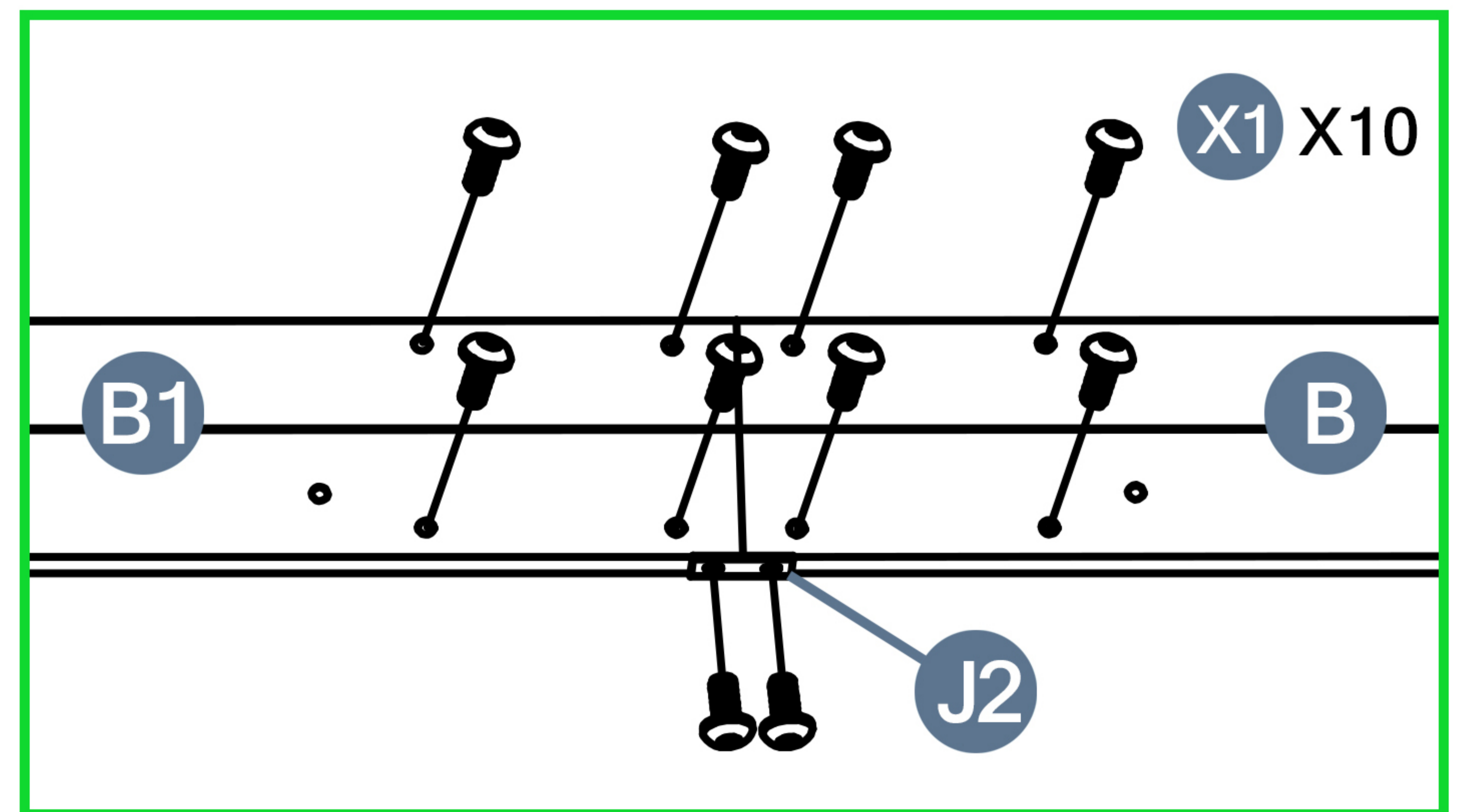
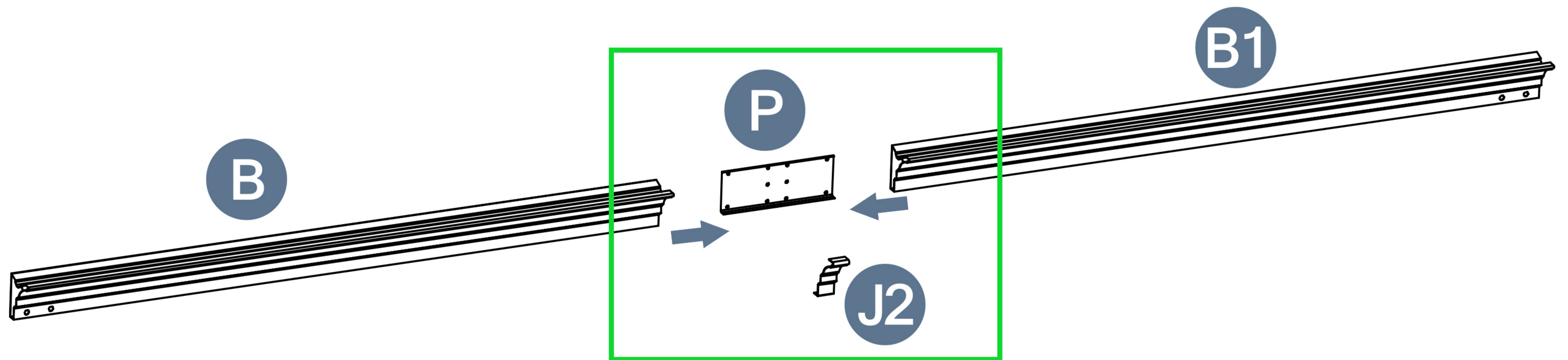
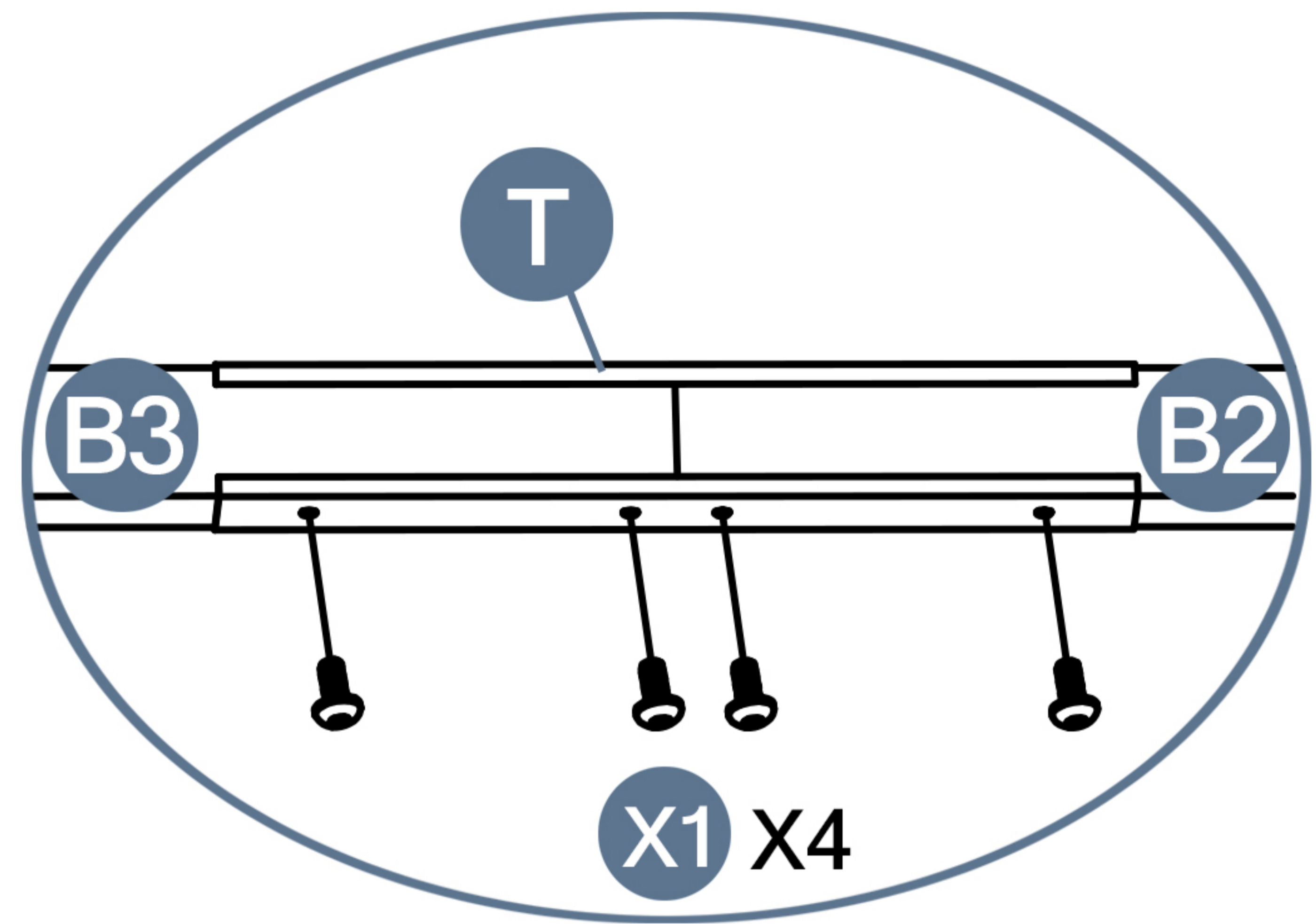
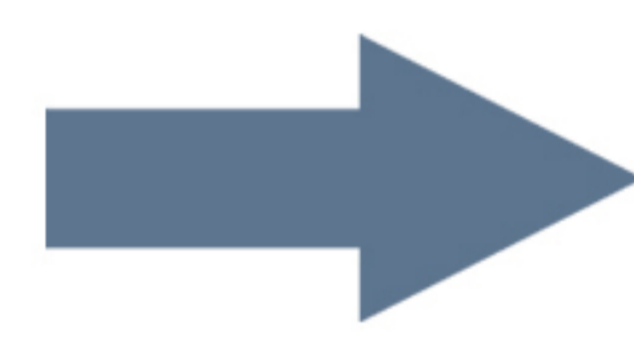
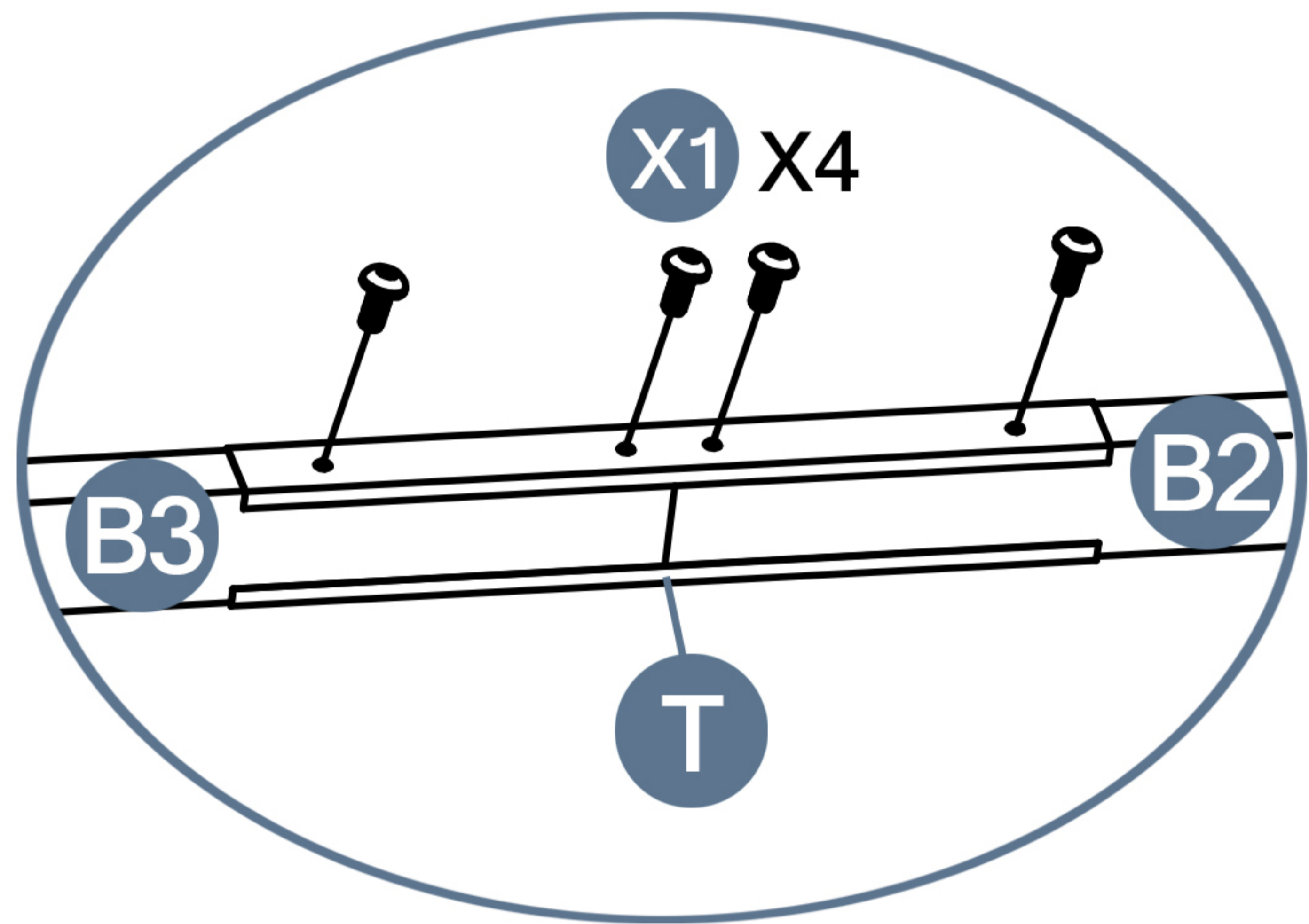
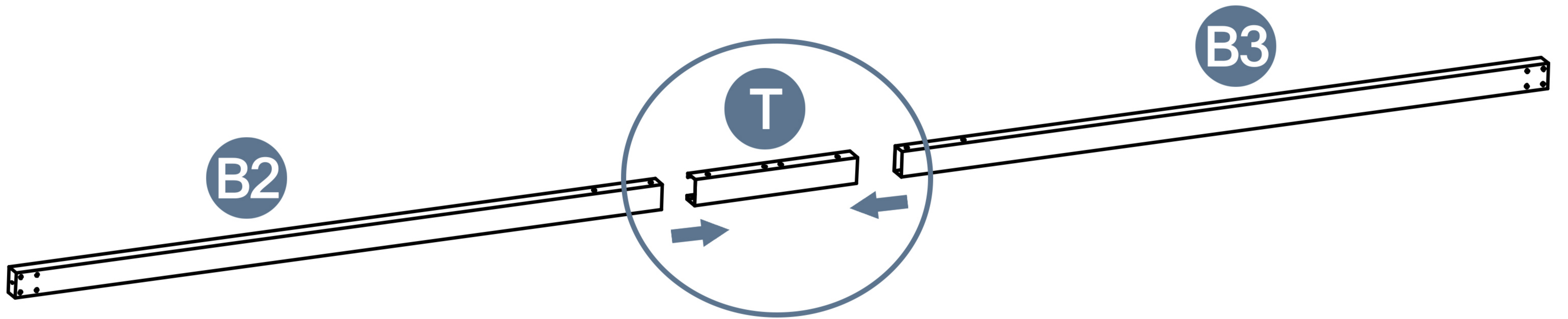
P 1pcs



J2 1pcs



X1 18pcs




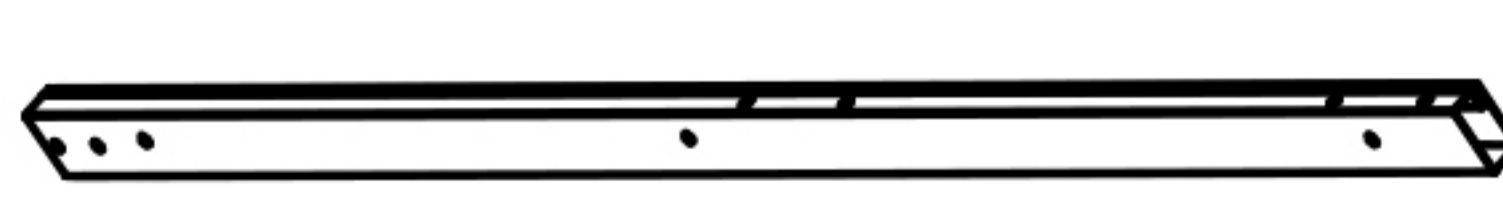
! Keep all parts! For missing parts or installation issues, contact us.

➔ ✉ E-mail: [cs.helper01@gmail.com](mailto:cs.helper01@gmail.com)

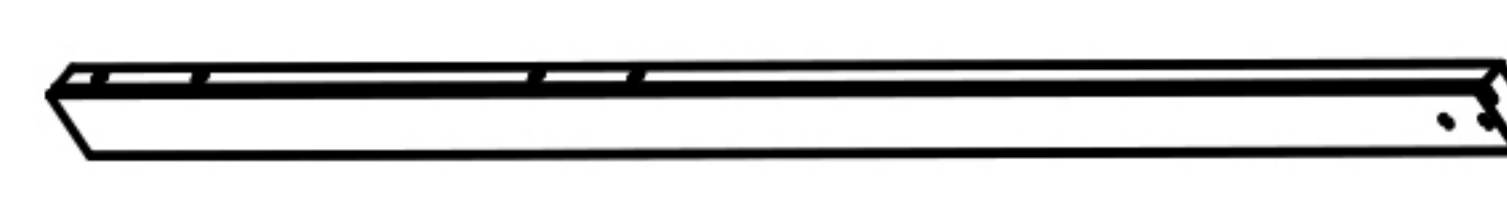
# STEP 3

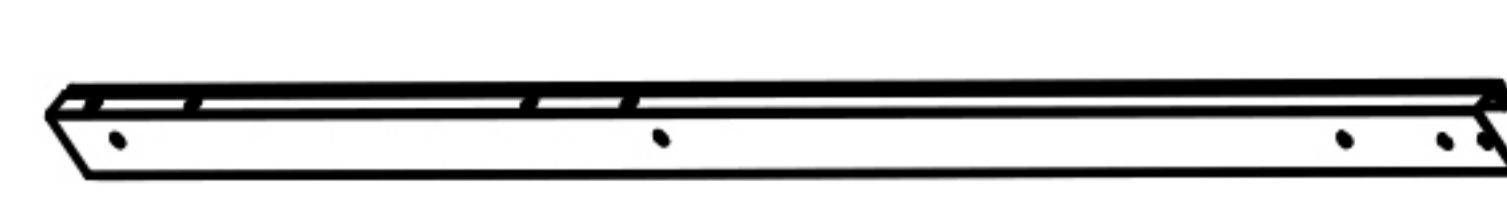
Parts required

 D 1pcs

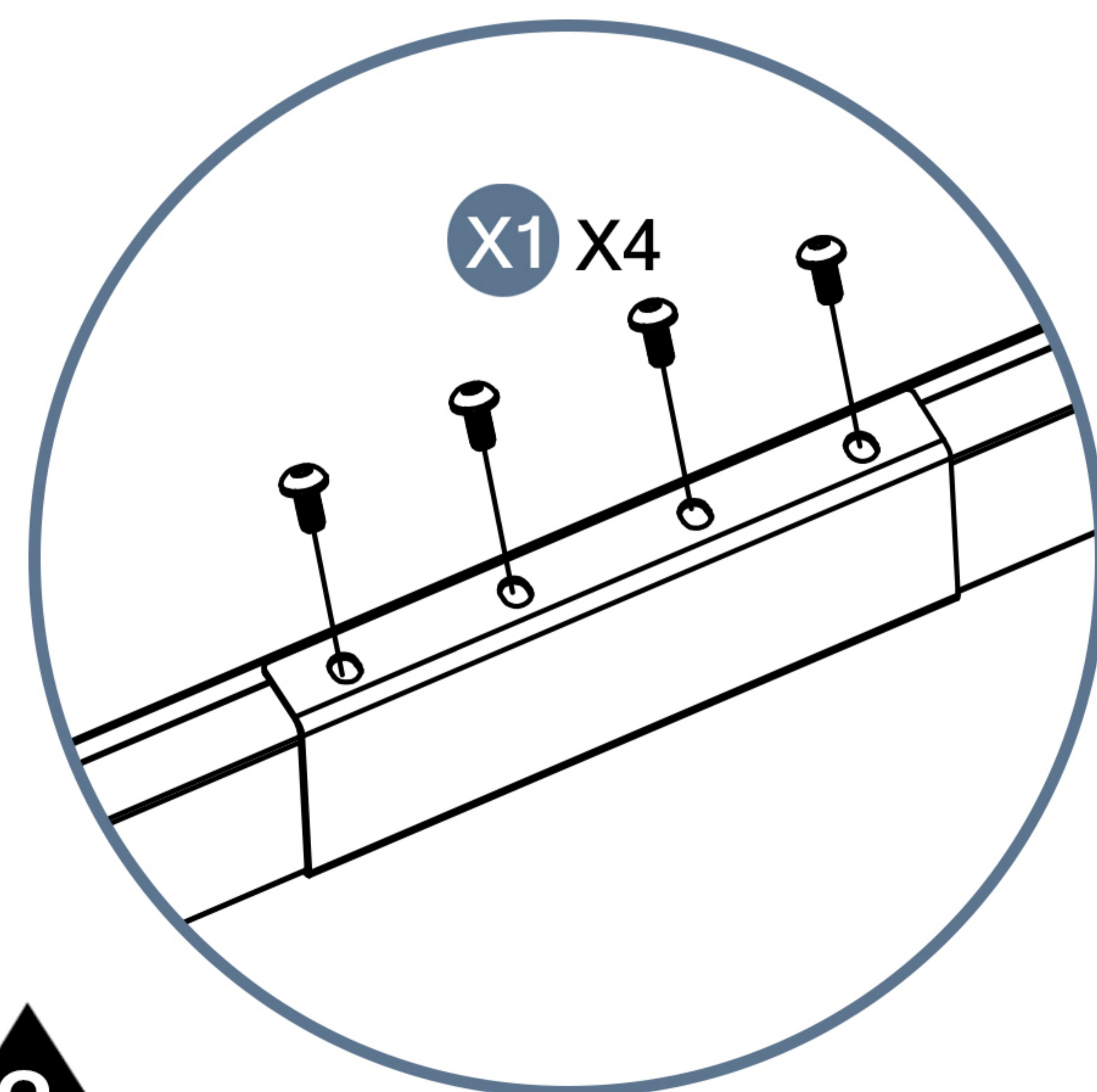
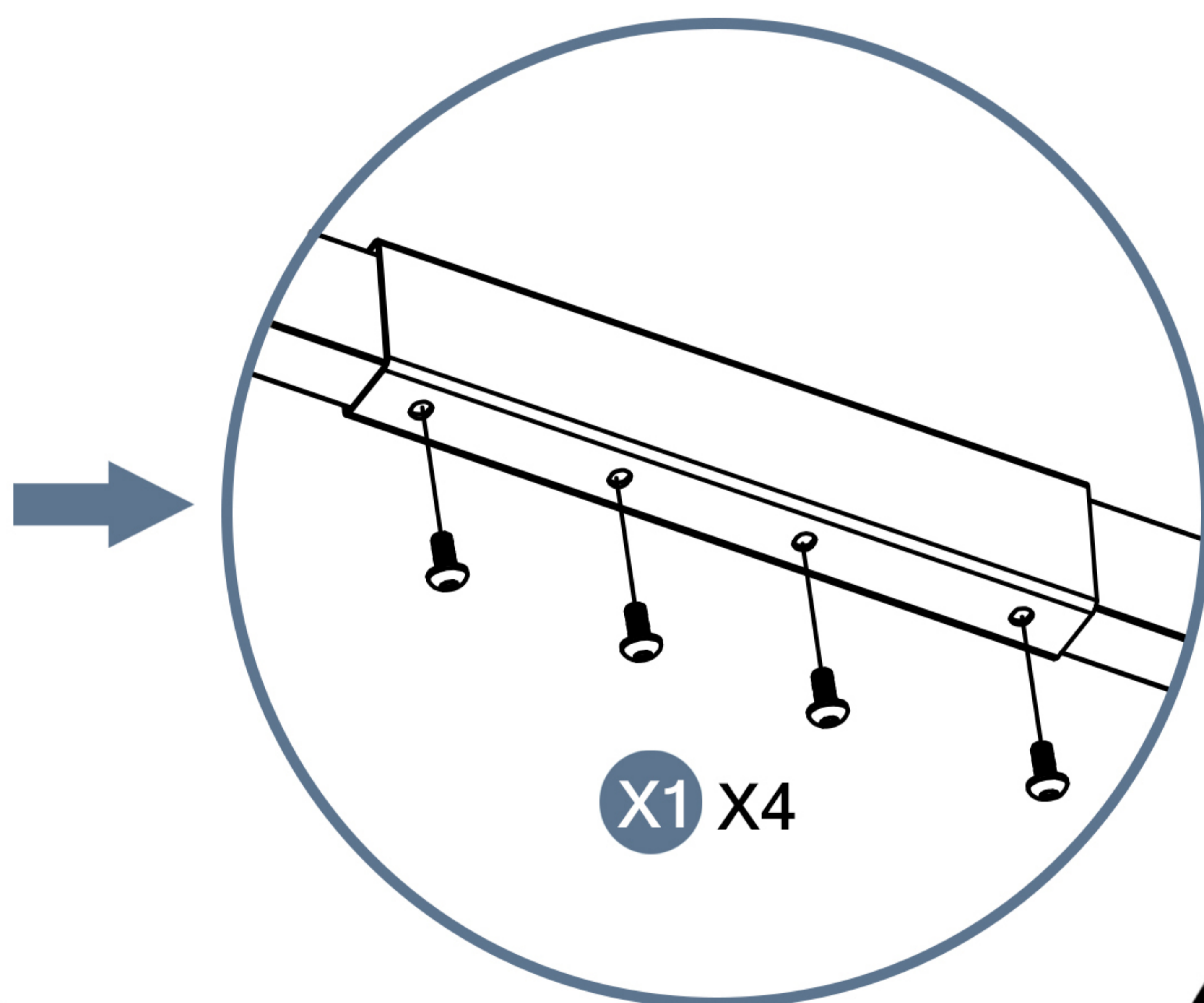
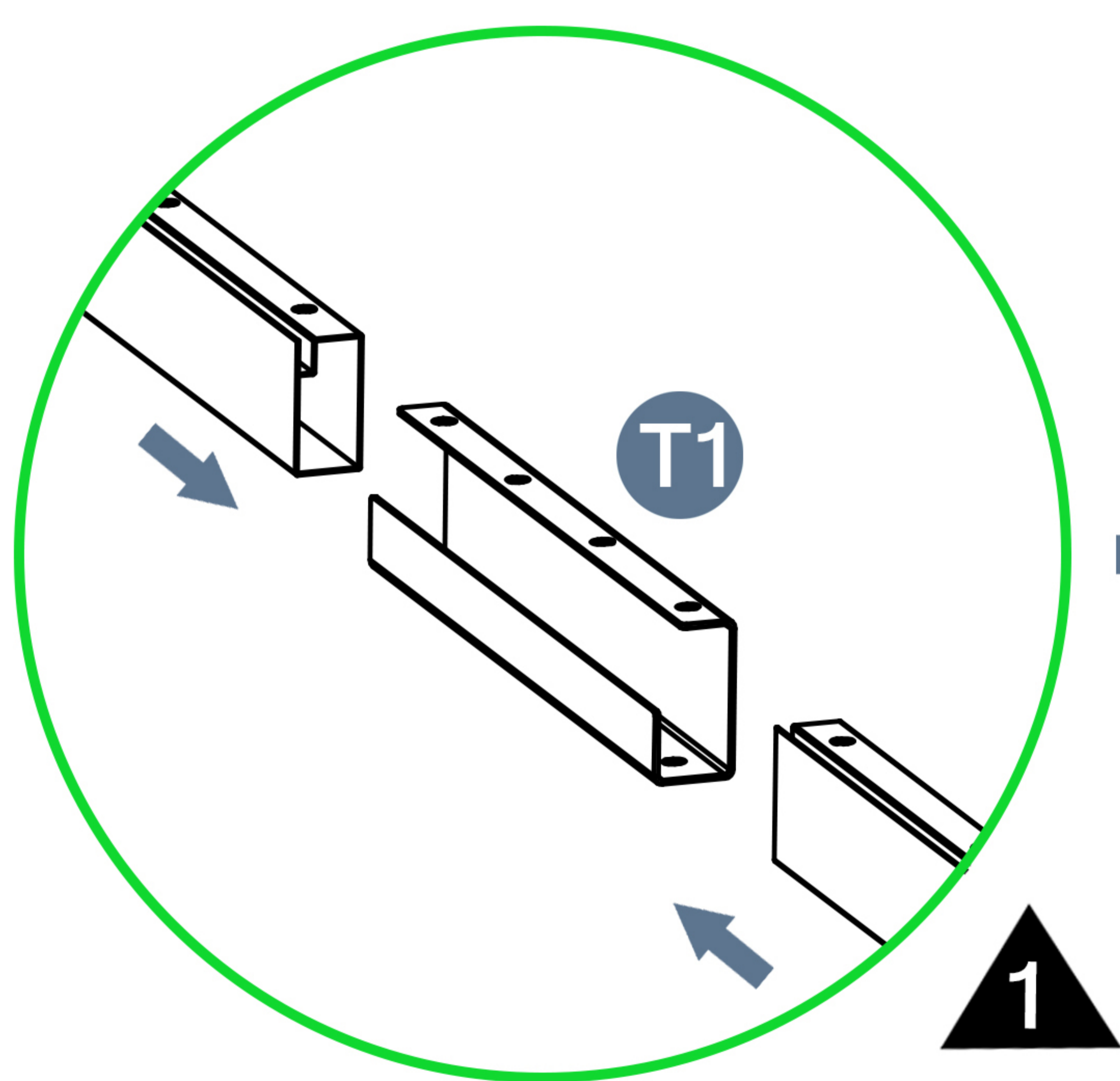
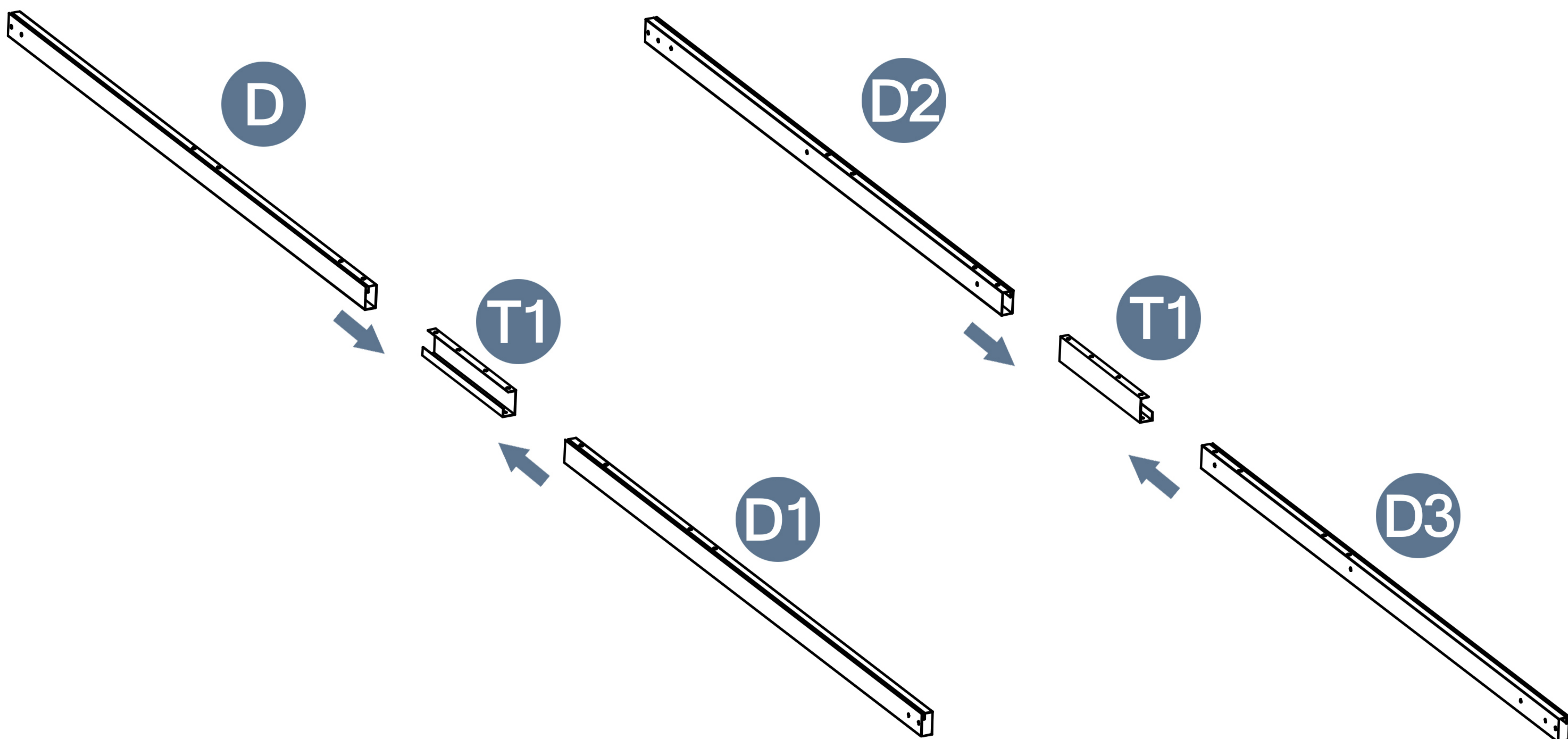
 D2 1pcs

 T1 2pcs

 D1 1pcs

 D3 1pcs

 X1 16pcs



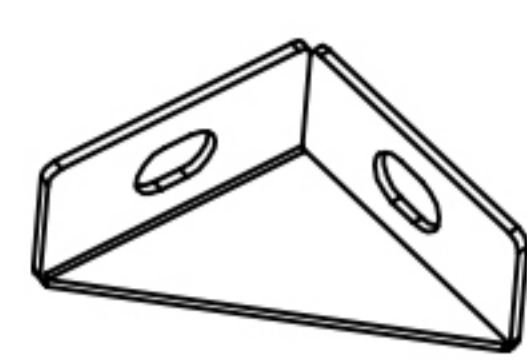
Keep all parts! For missing parts or installation issues, contact us.



E-mail: [cs.helper01@gmail.com](mailto:cs.helper01@gmail.com)

# STEP 4

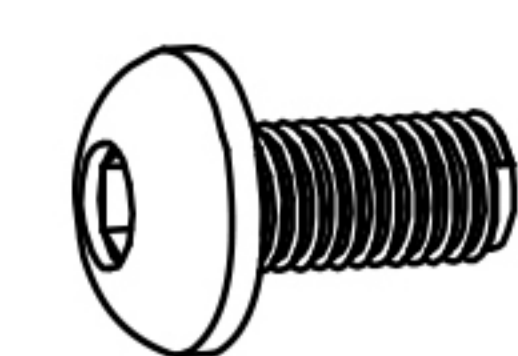
Parts required



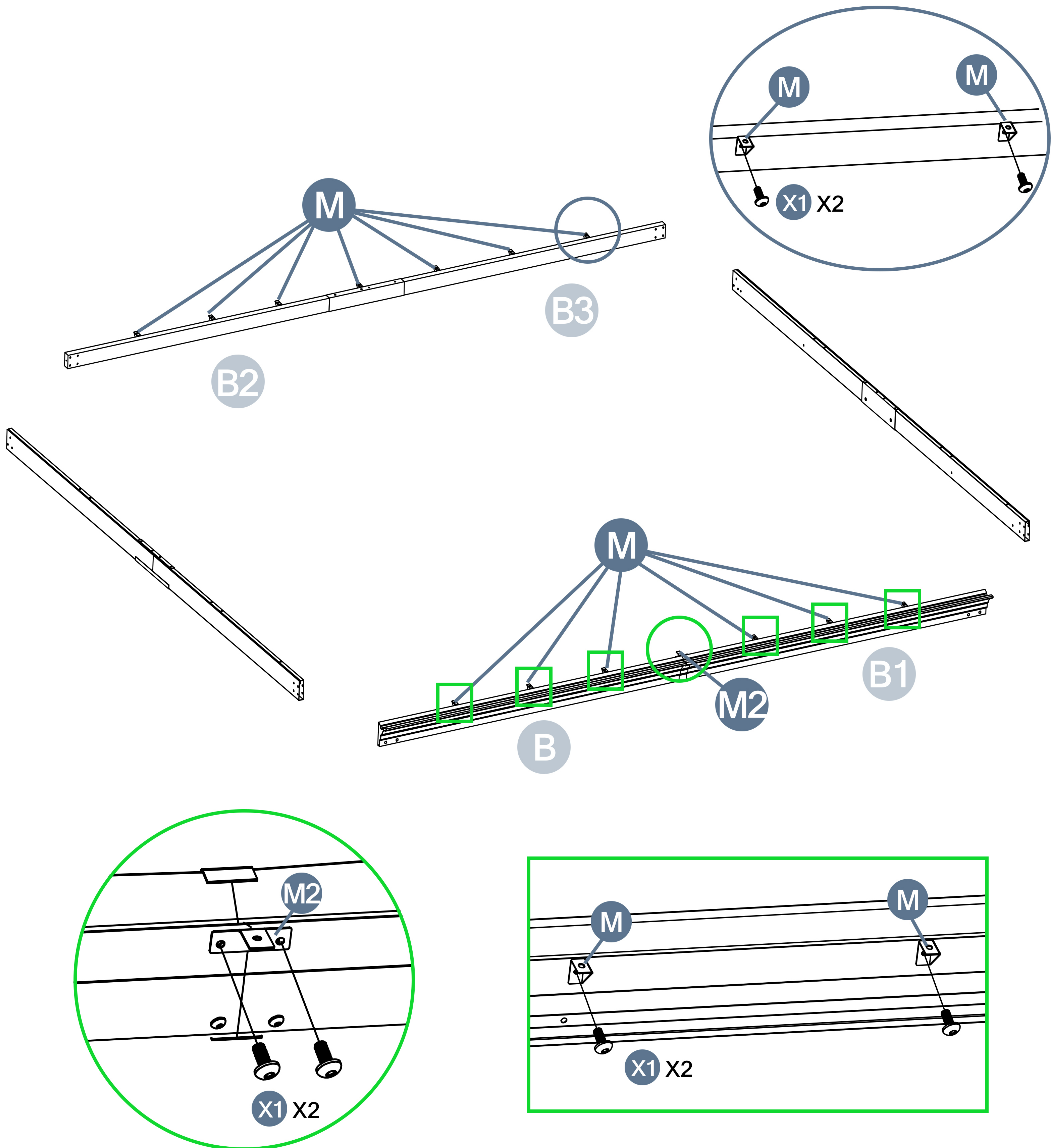
M 13pcs



M2 1pc



X1 15pcs

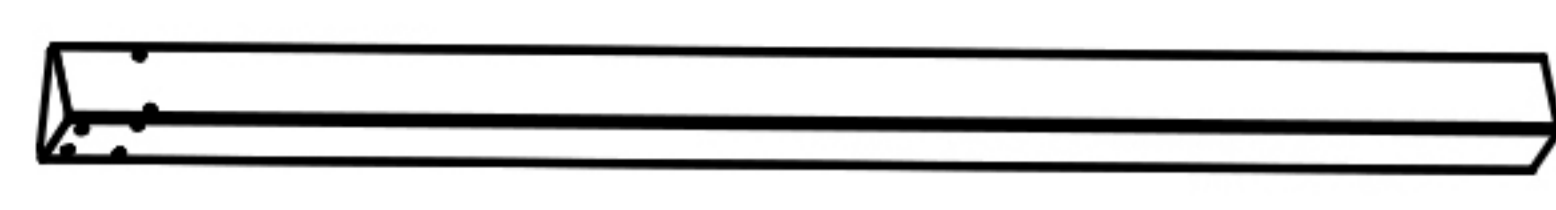


! Keep all parts! For missing parts or installation issues, contact us.

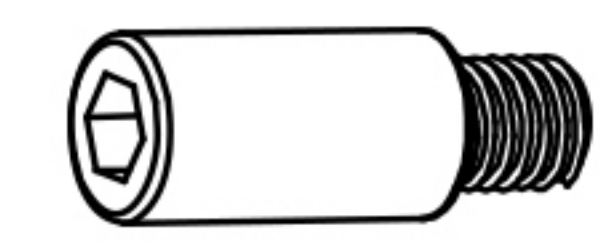
➔ ✉ E-mail: [cs.helper01@gmail.com](mailto:cs.helper01@gmail.com)

# STEP 5

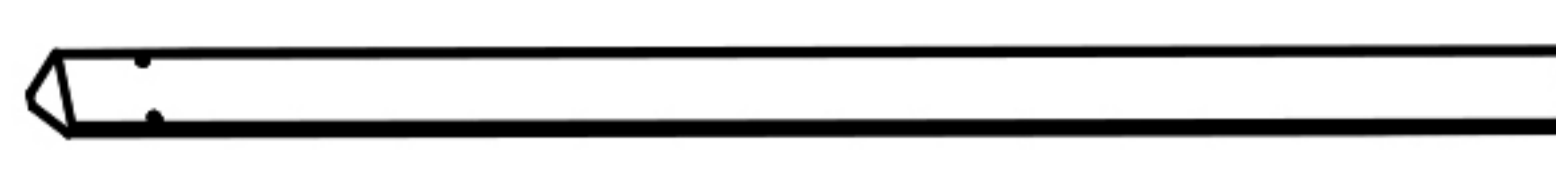
Parts required



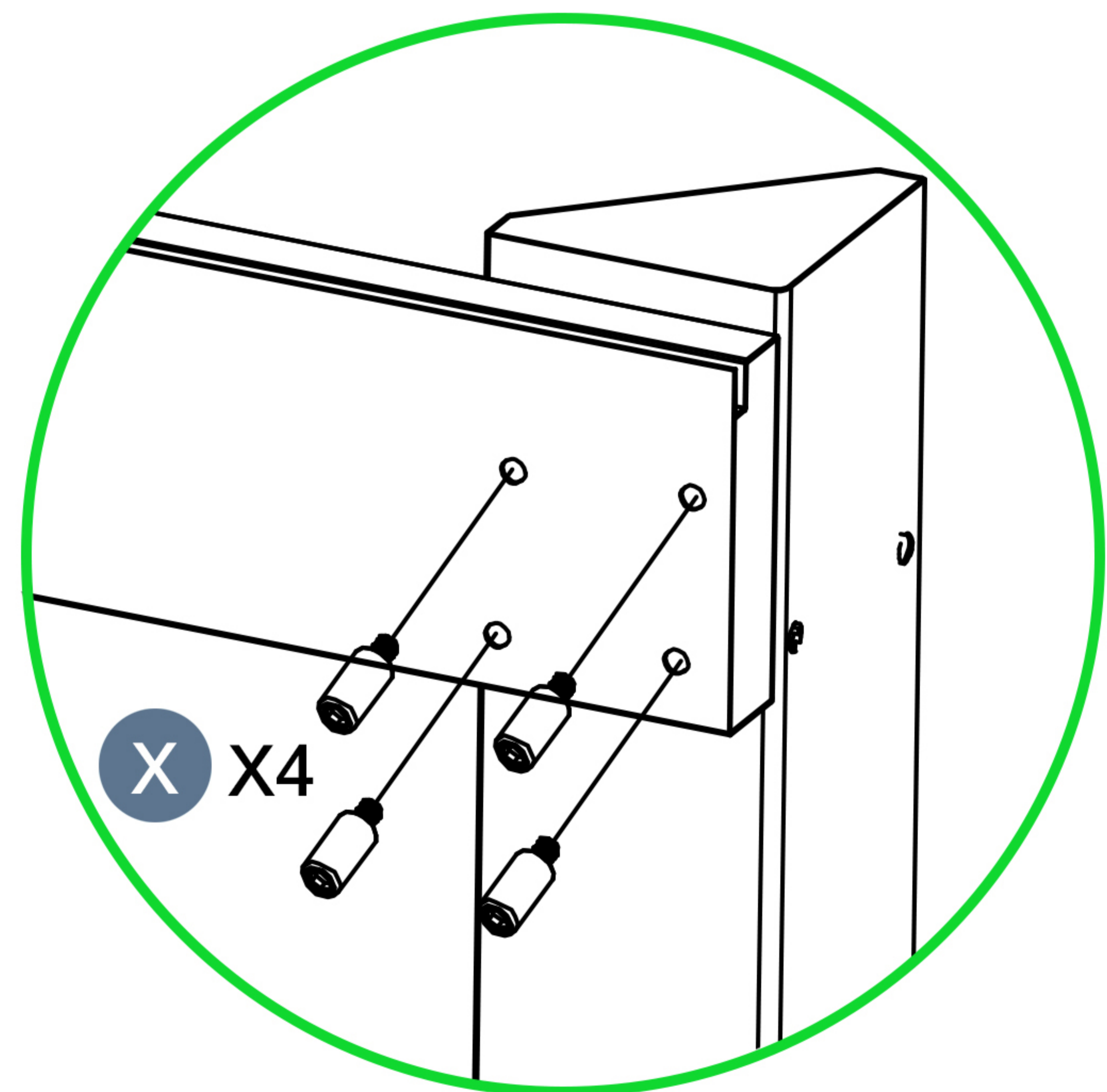
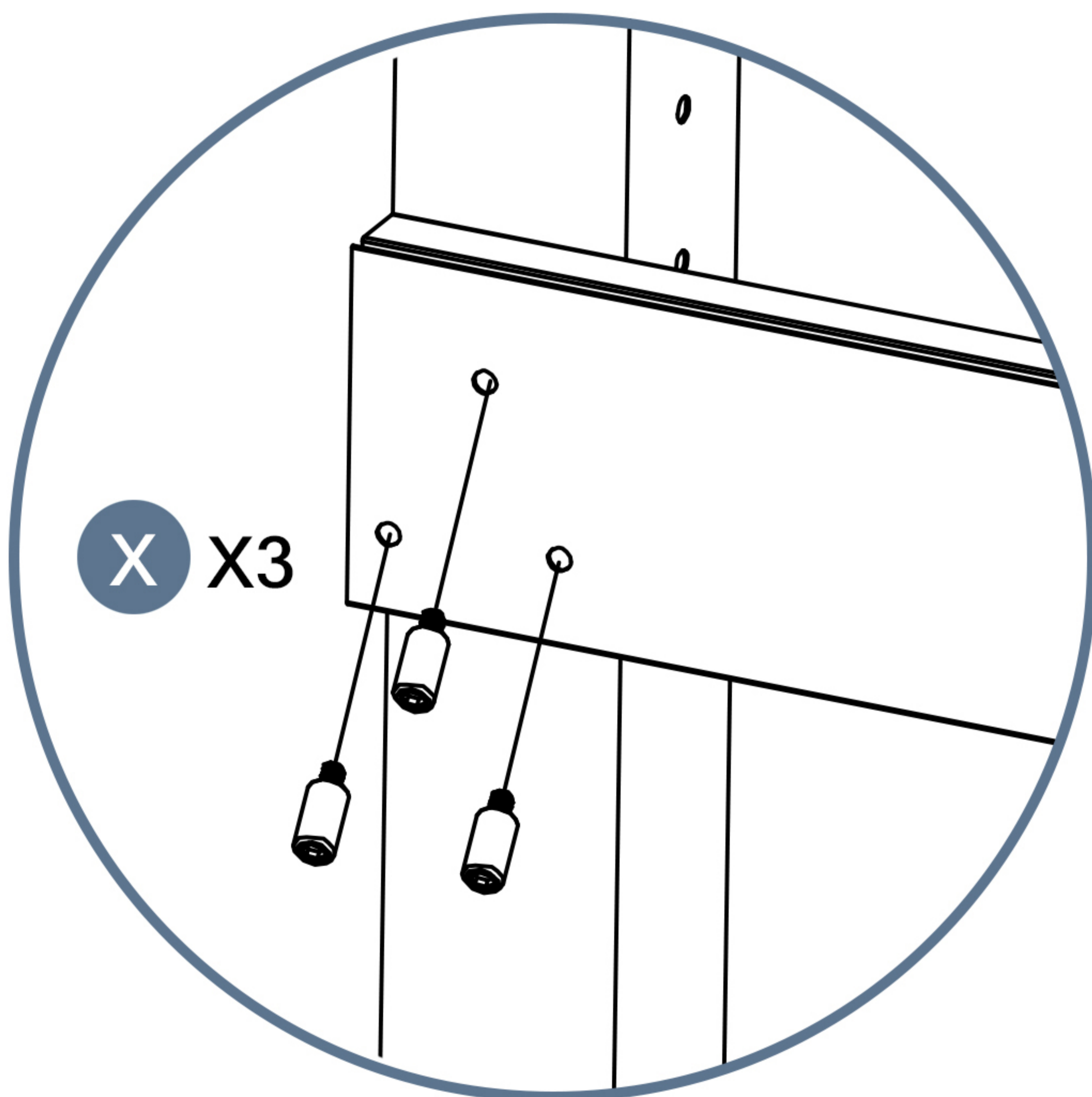
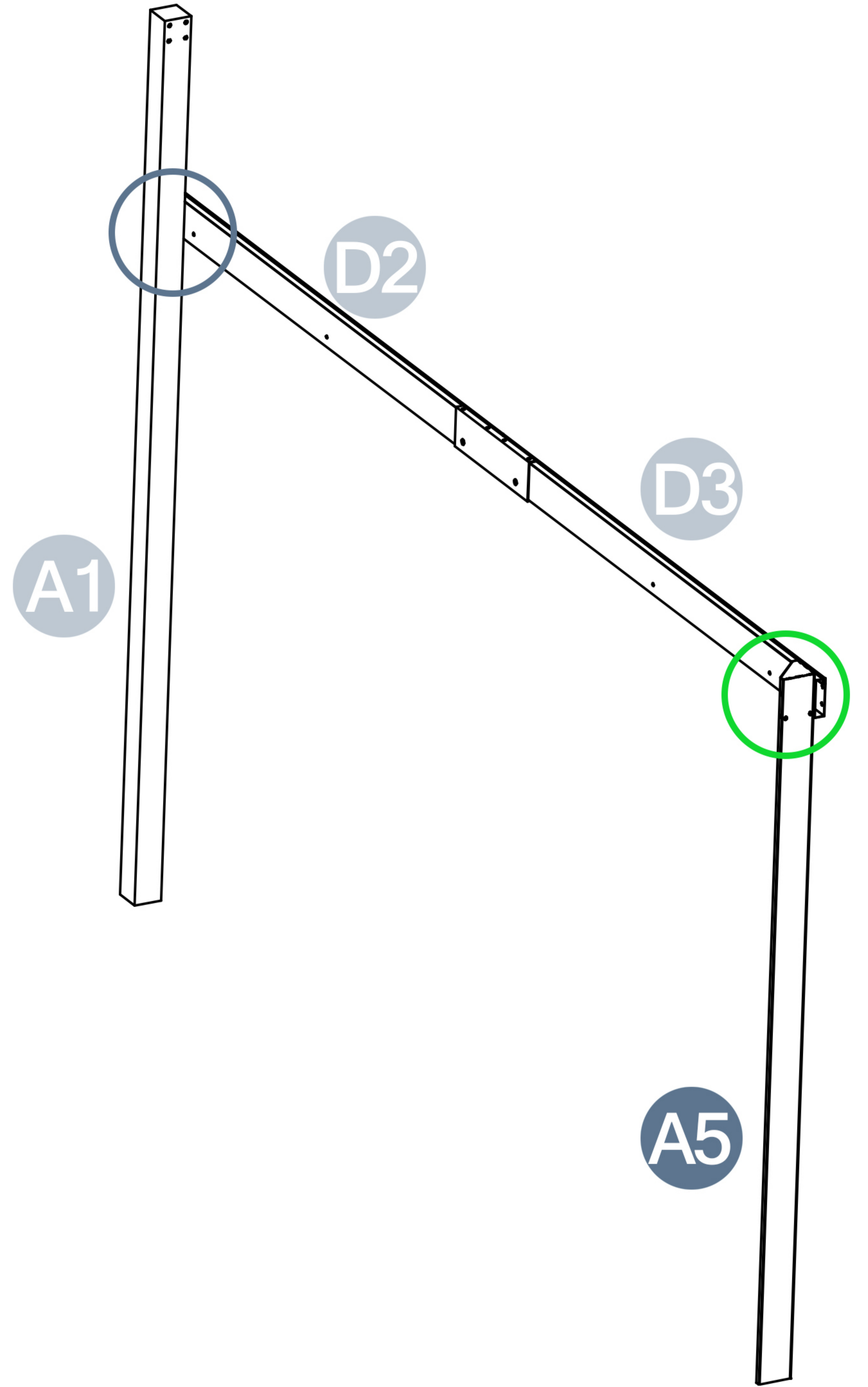
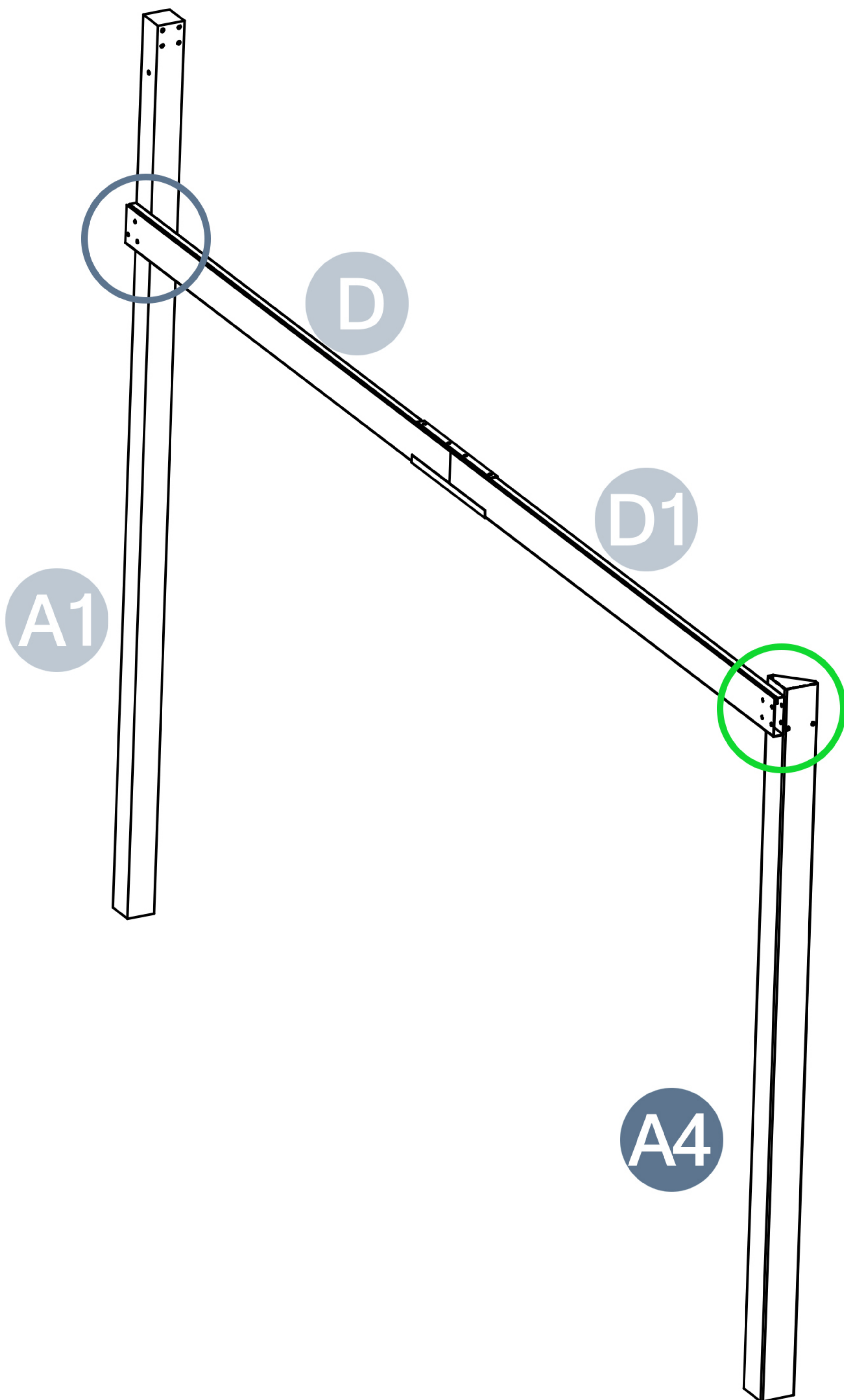
A4 1pcs



X 14pcs



A5 1pcs



Keep all parts! For missing parts or installation issues, contact us.



E-mail: [cs.helper01@gmail.com](mailto:cs.helper01@gmail.com)

# STEP 6

Parts required

 X 8pcs

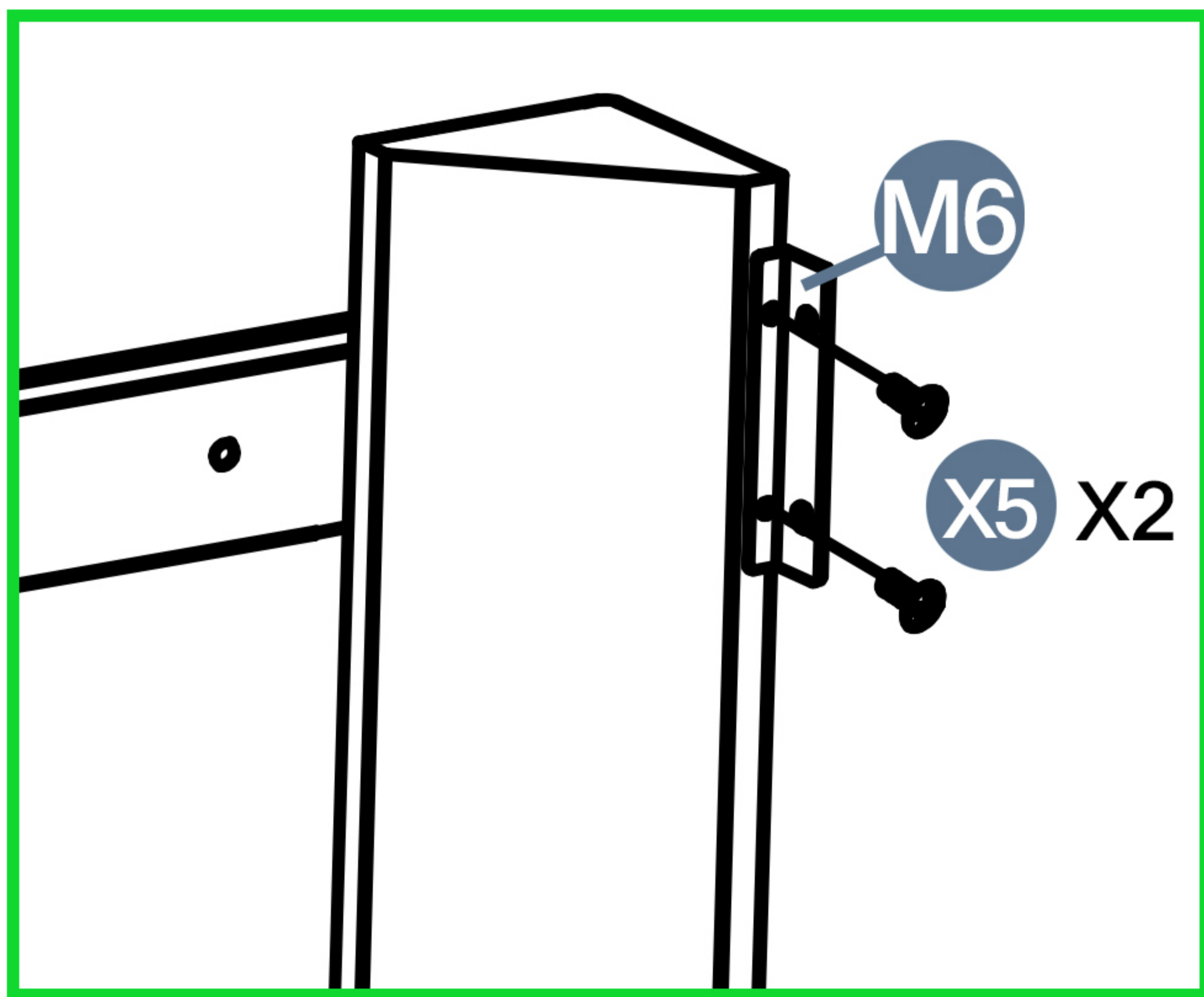
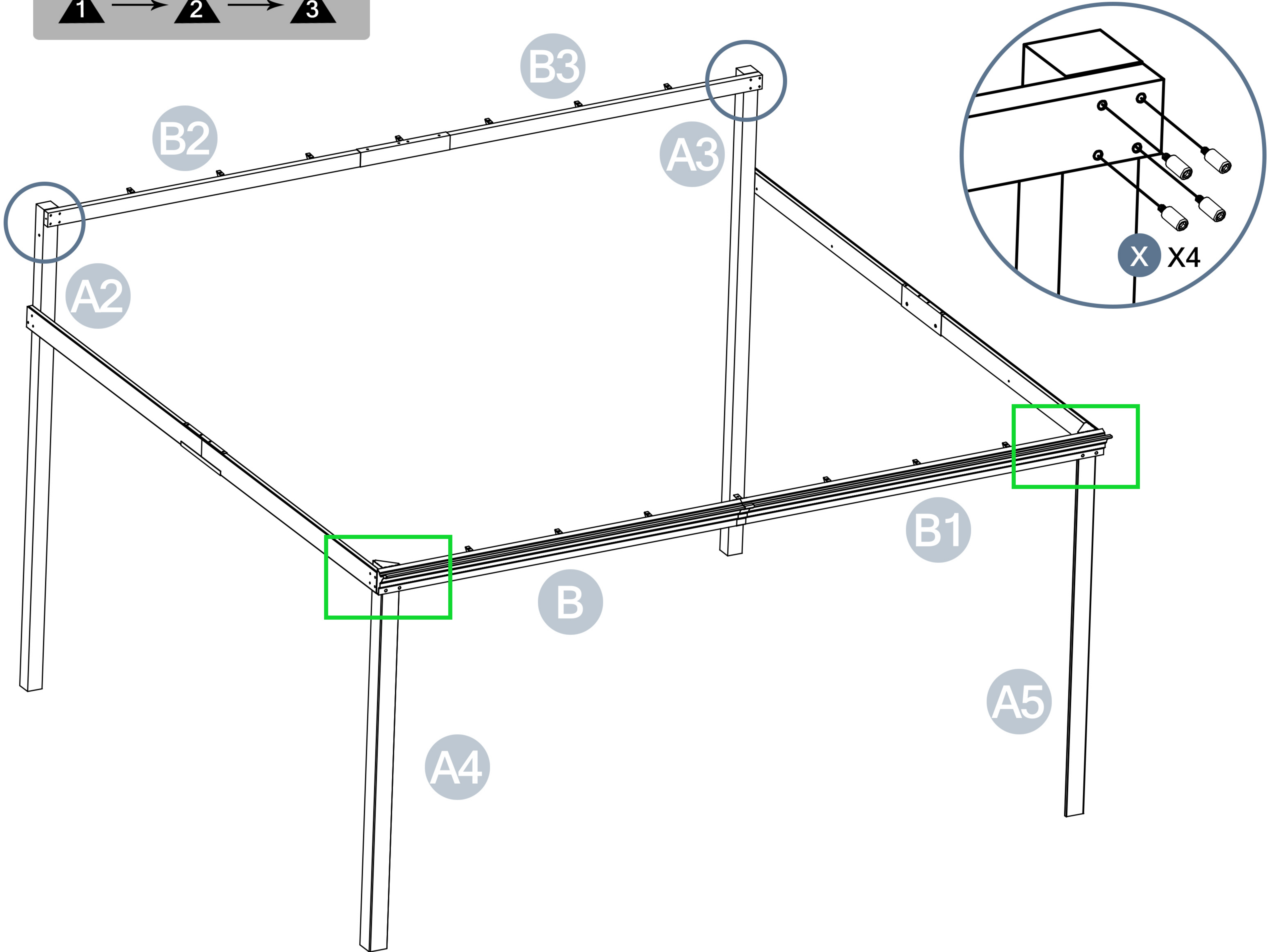
 X1 4pcs

 X5 4pcs

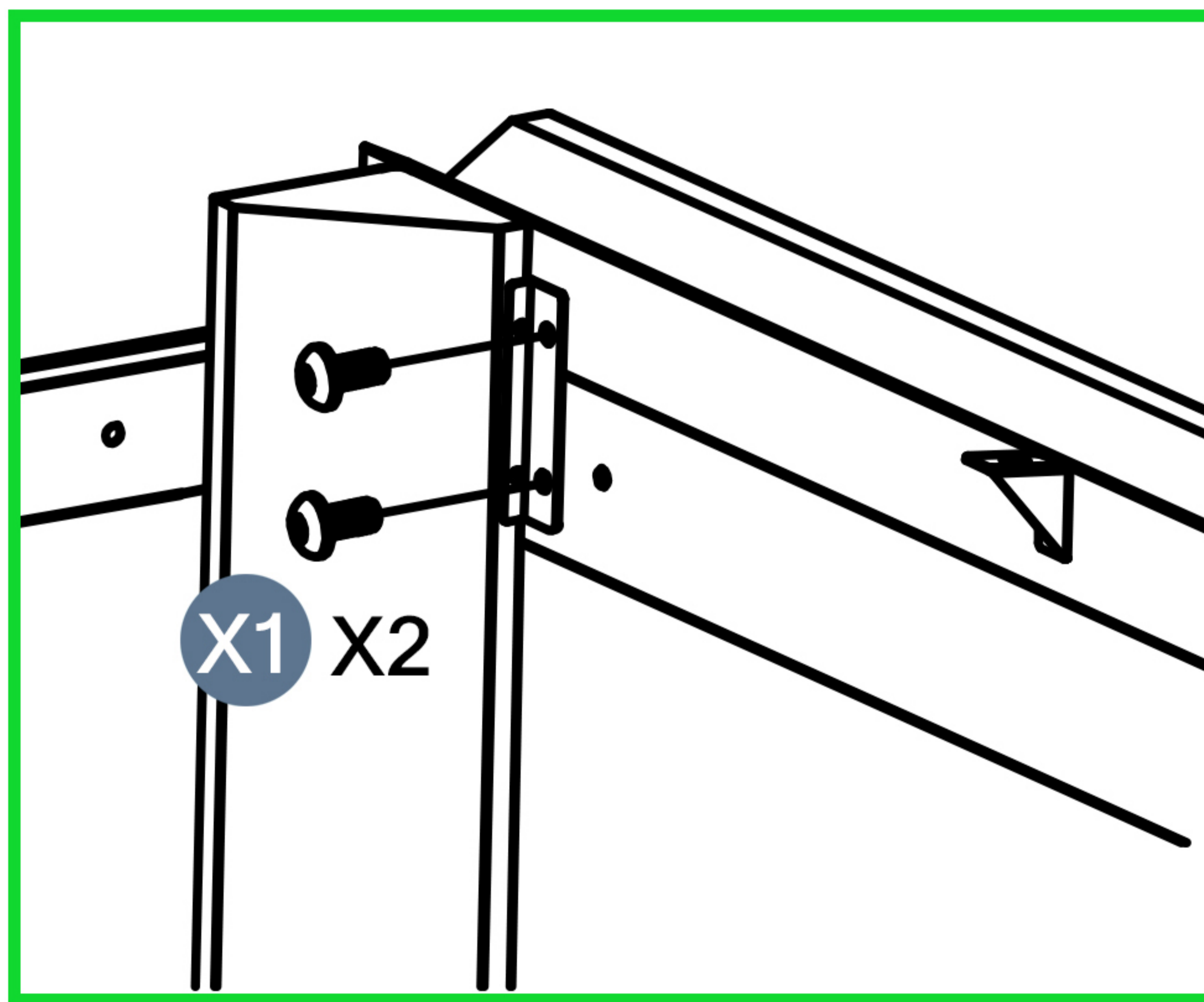
 X7 4pcs

 M6 2pcs

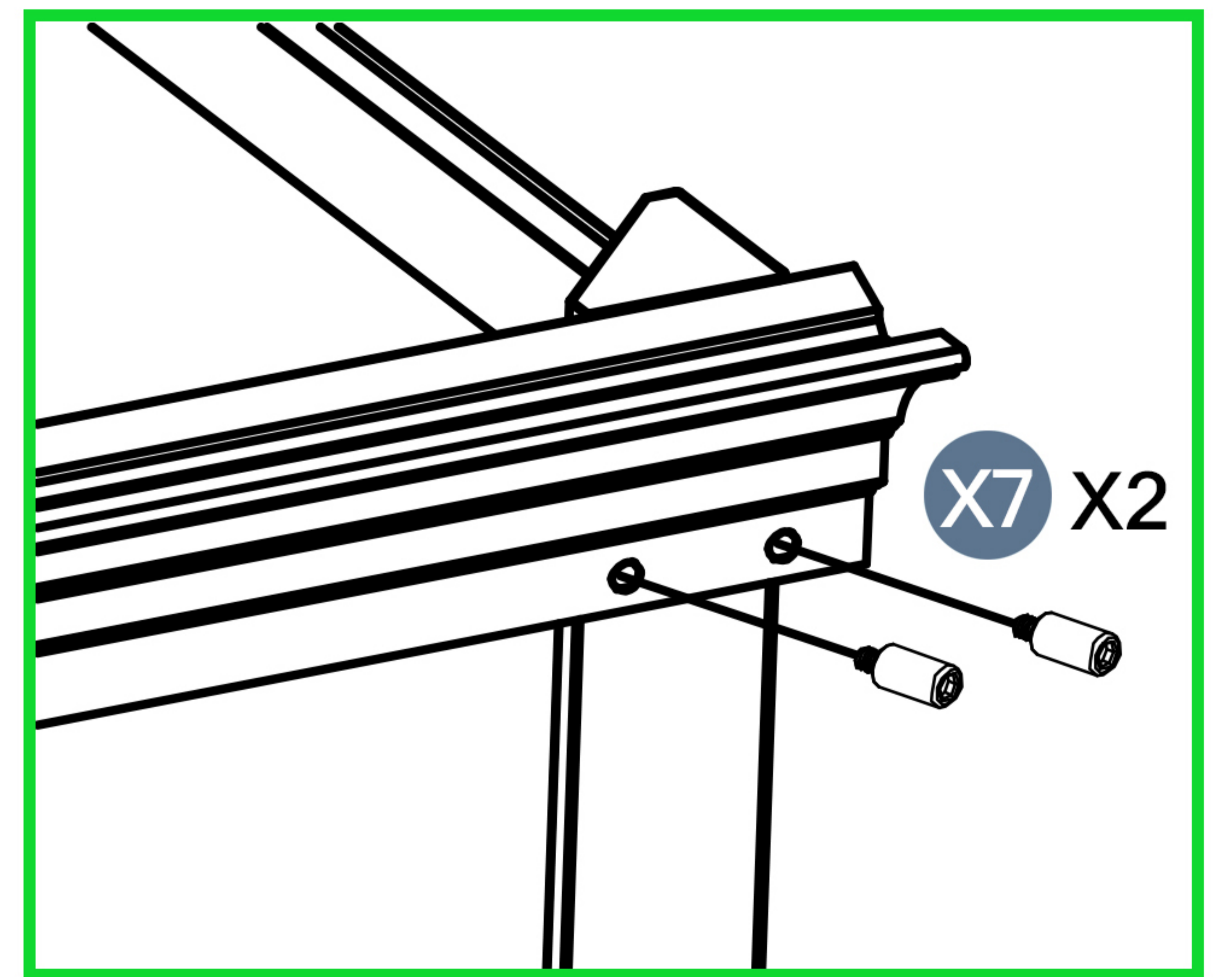
1 → 2 → 3



1



2



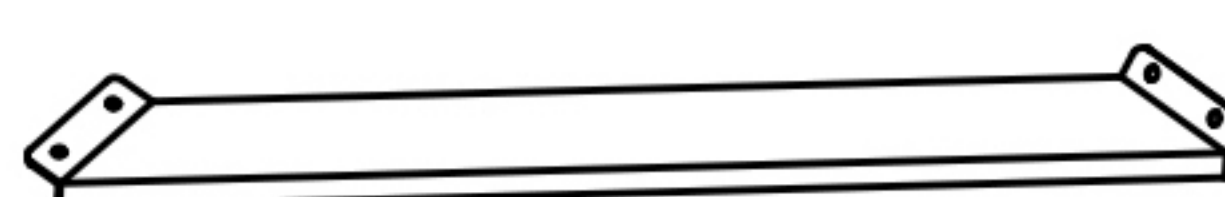
3

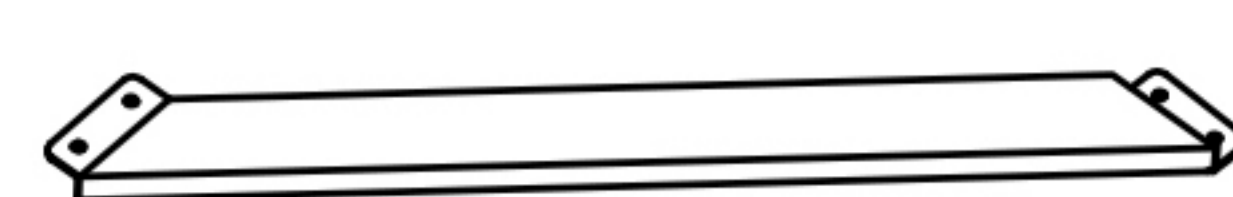
! Keep all parts! For missing parts or installation issues, contact us.

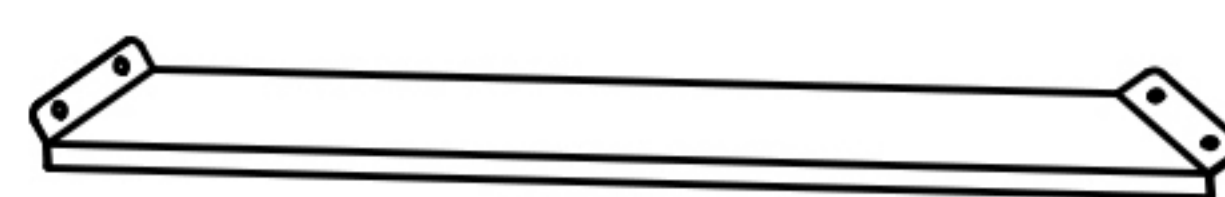
➔ ✉ E-mail: [cs.helper01@gmail.com](mailto:cs.helper01@gmail.com)

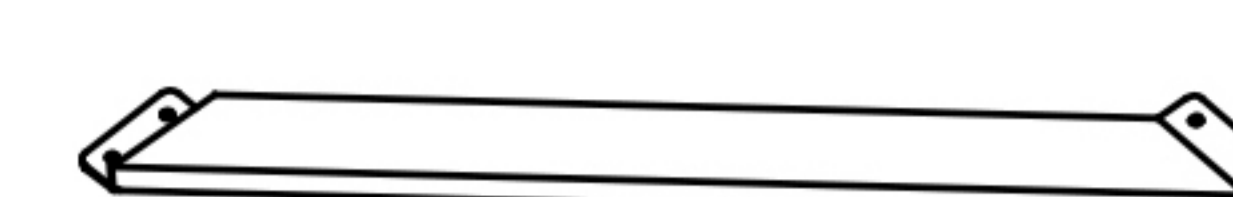
# STEP 7

Parts required

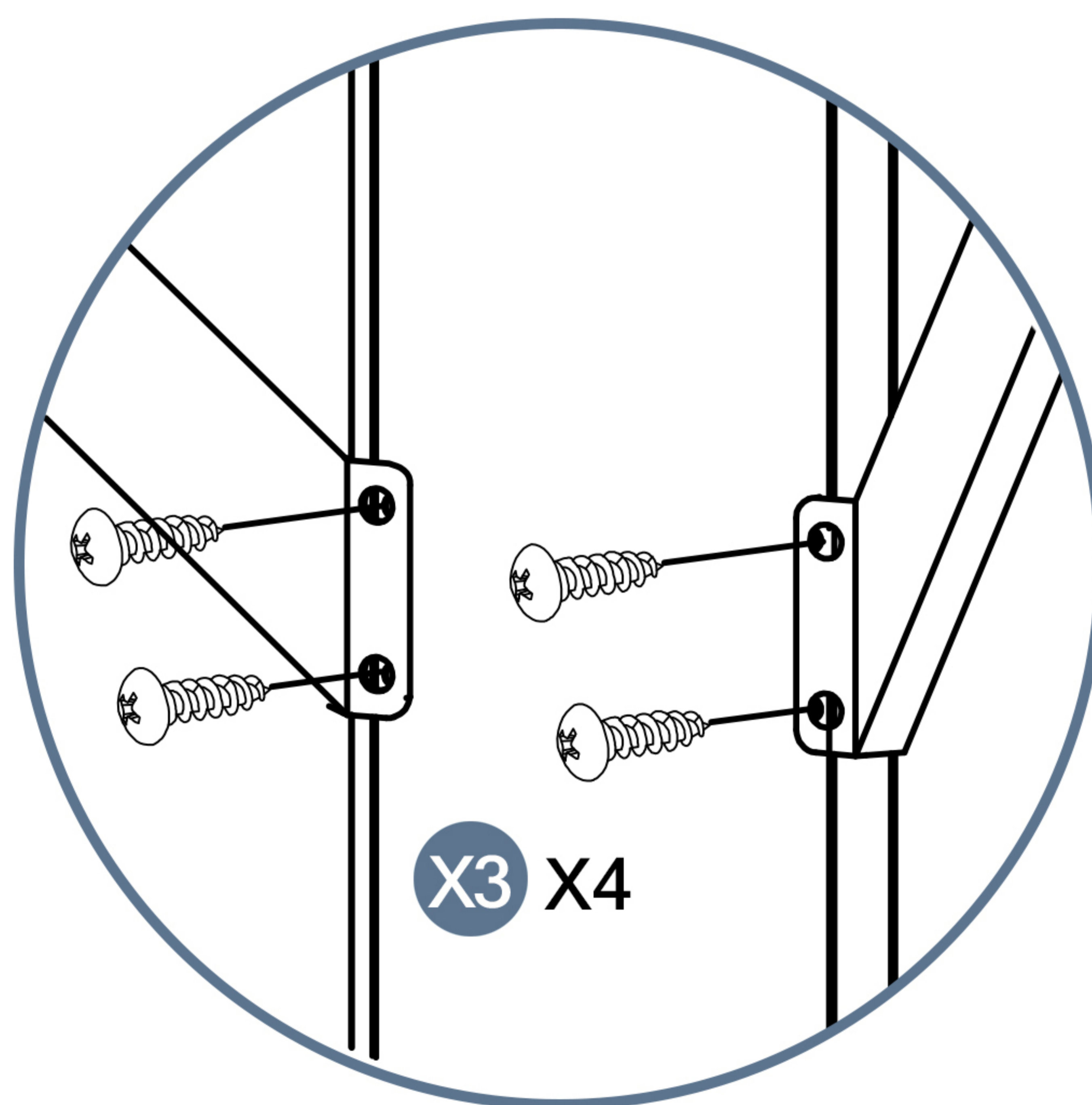
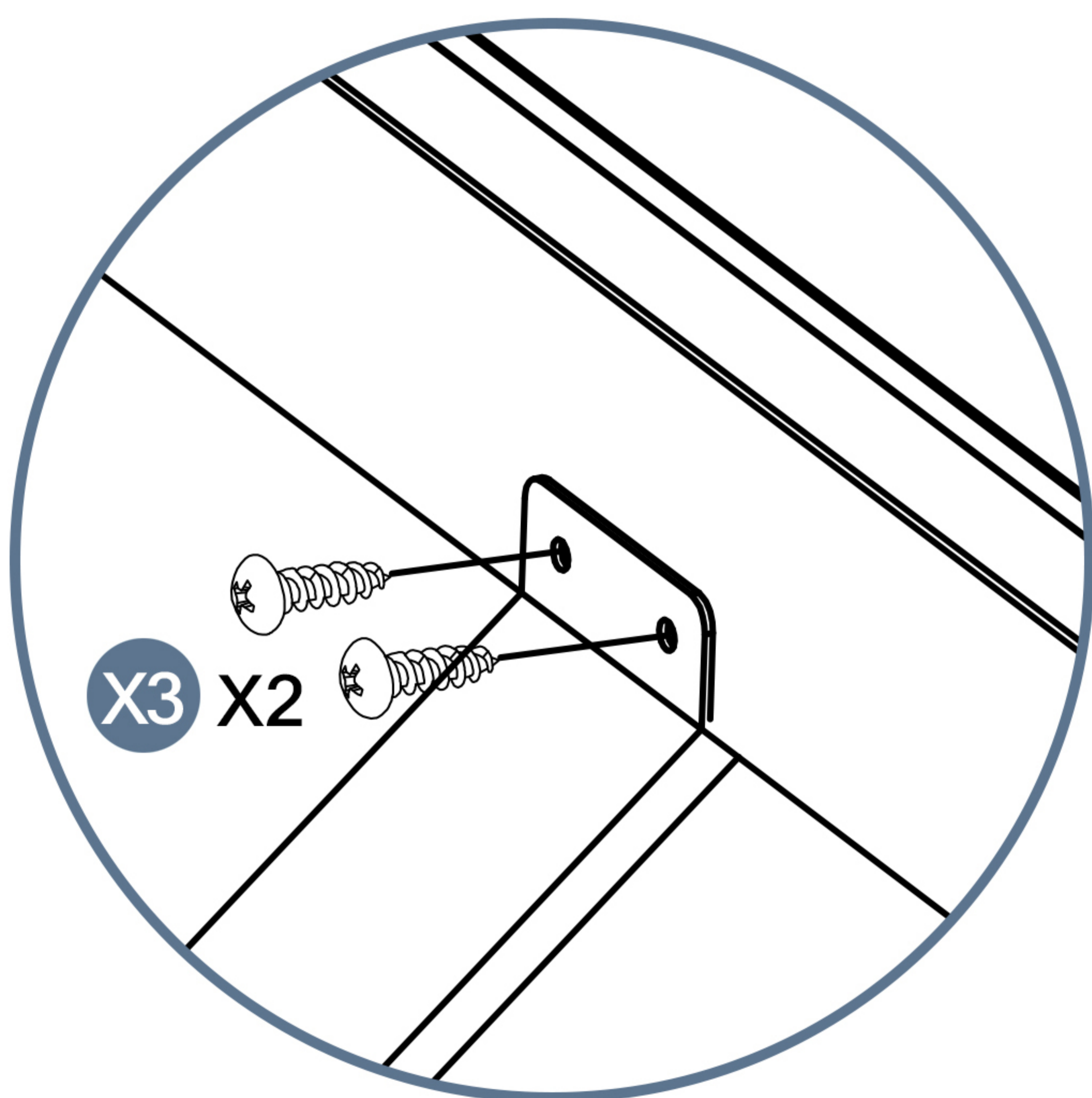
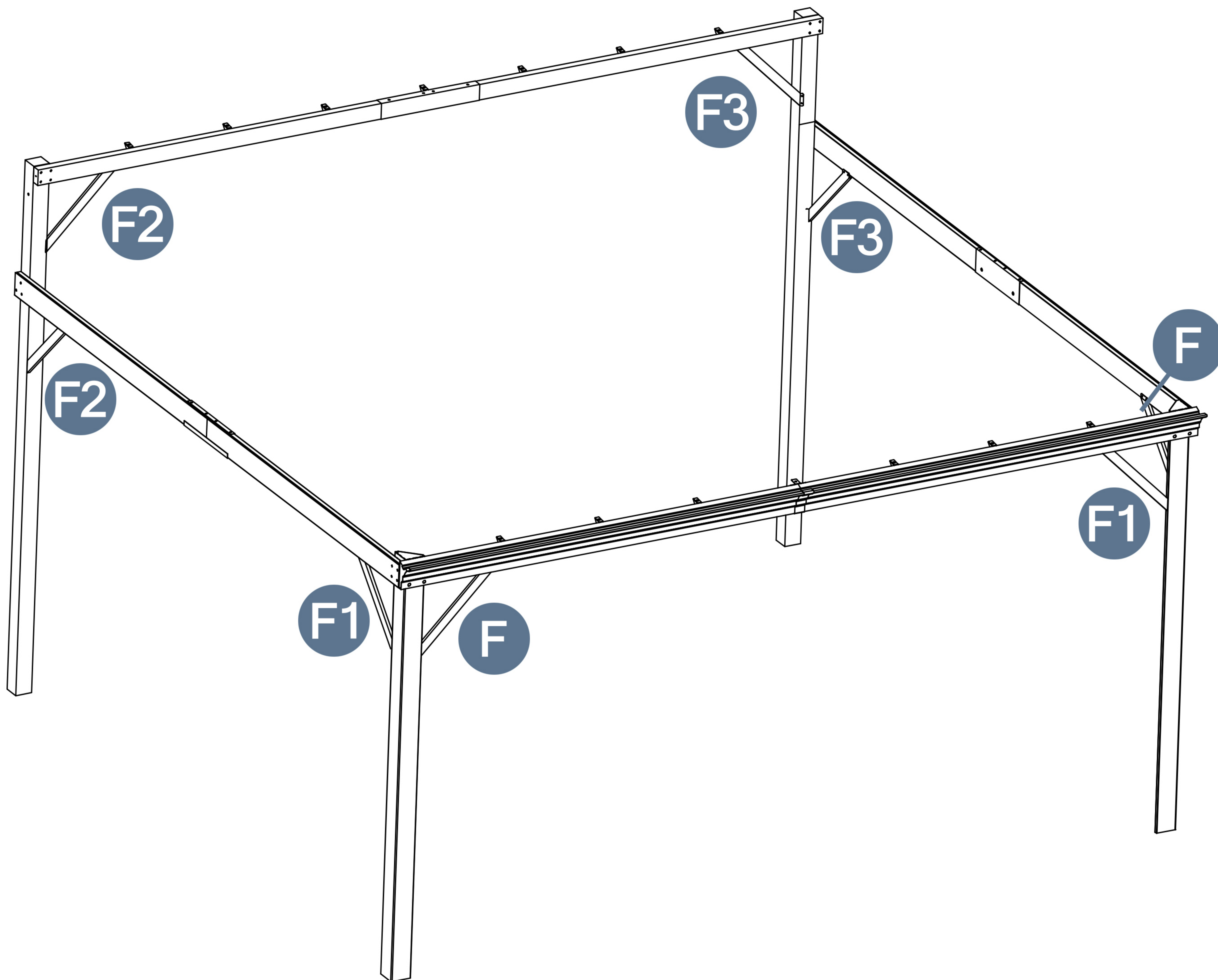
 F 2pcs

 F2 2pcs

 F1 2pcs

 F3 2pcs

 X3 32pcs



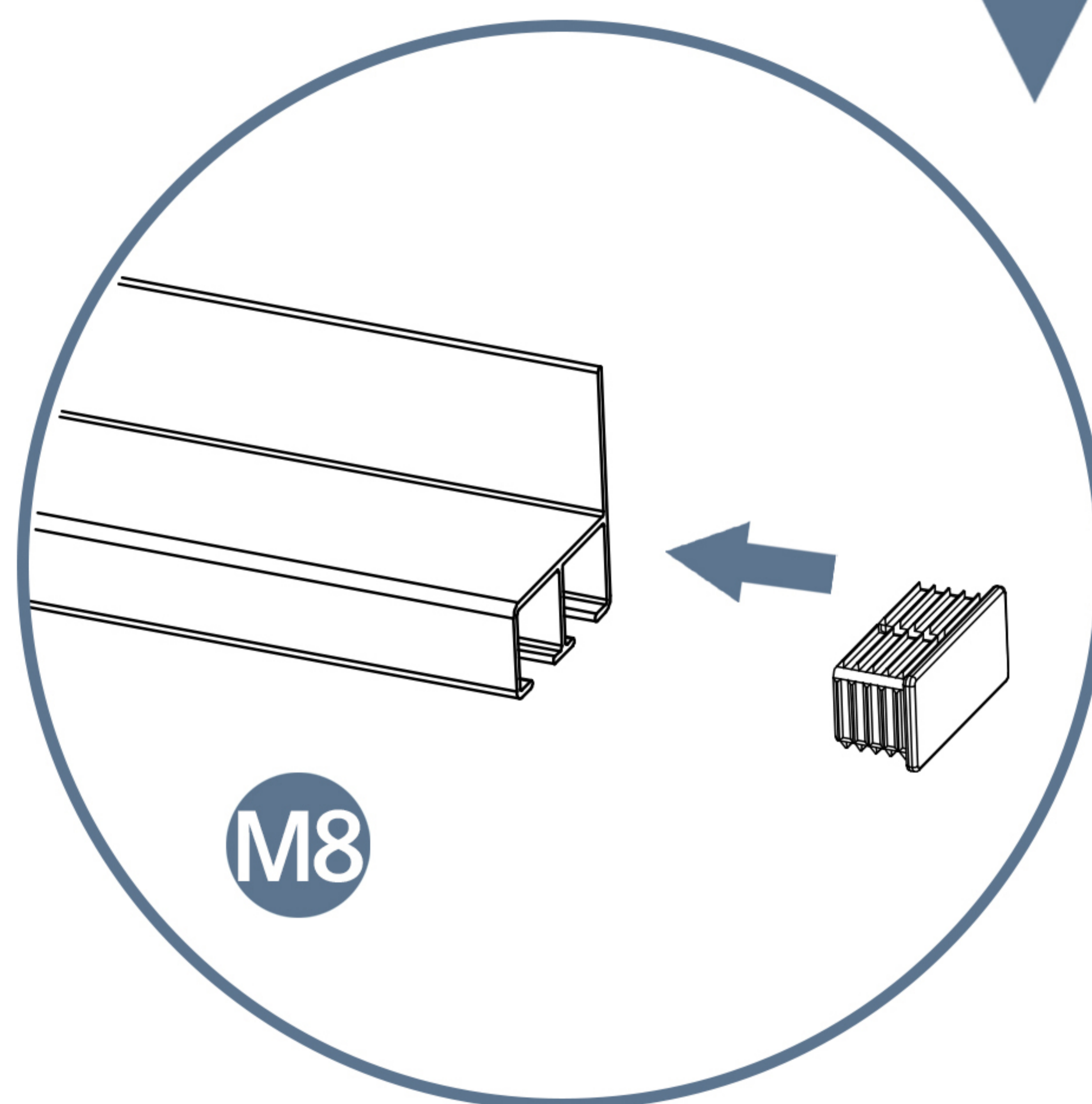
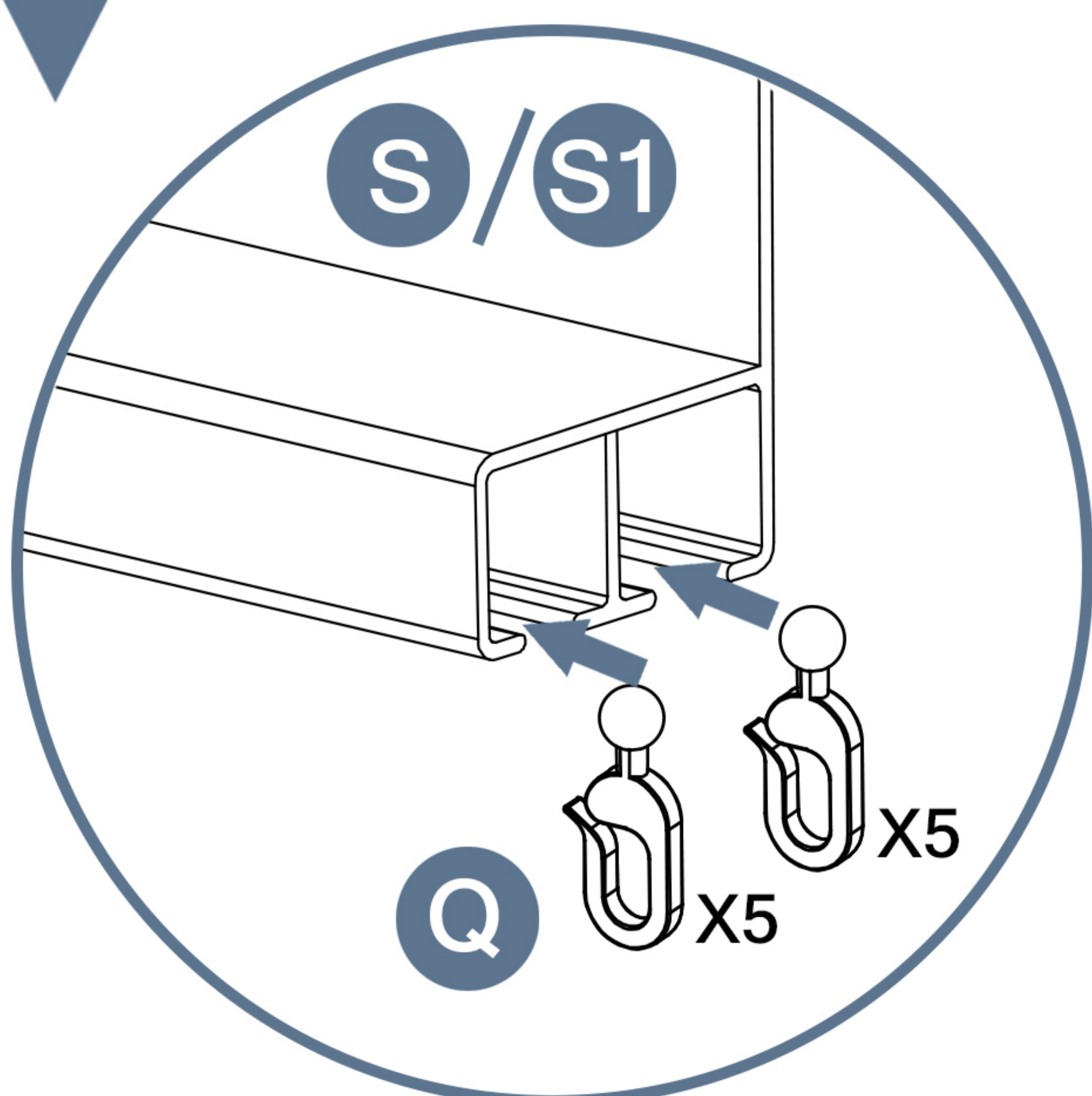
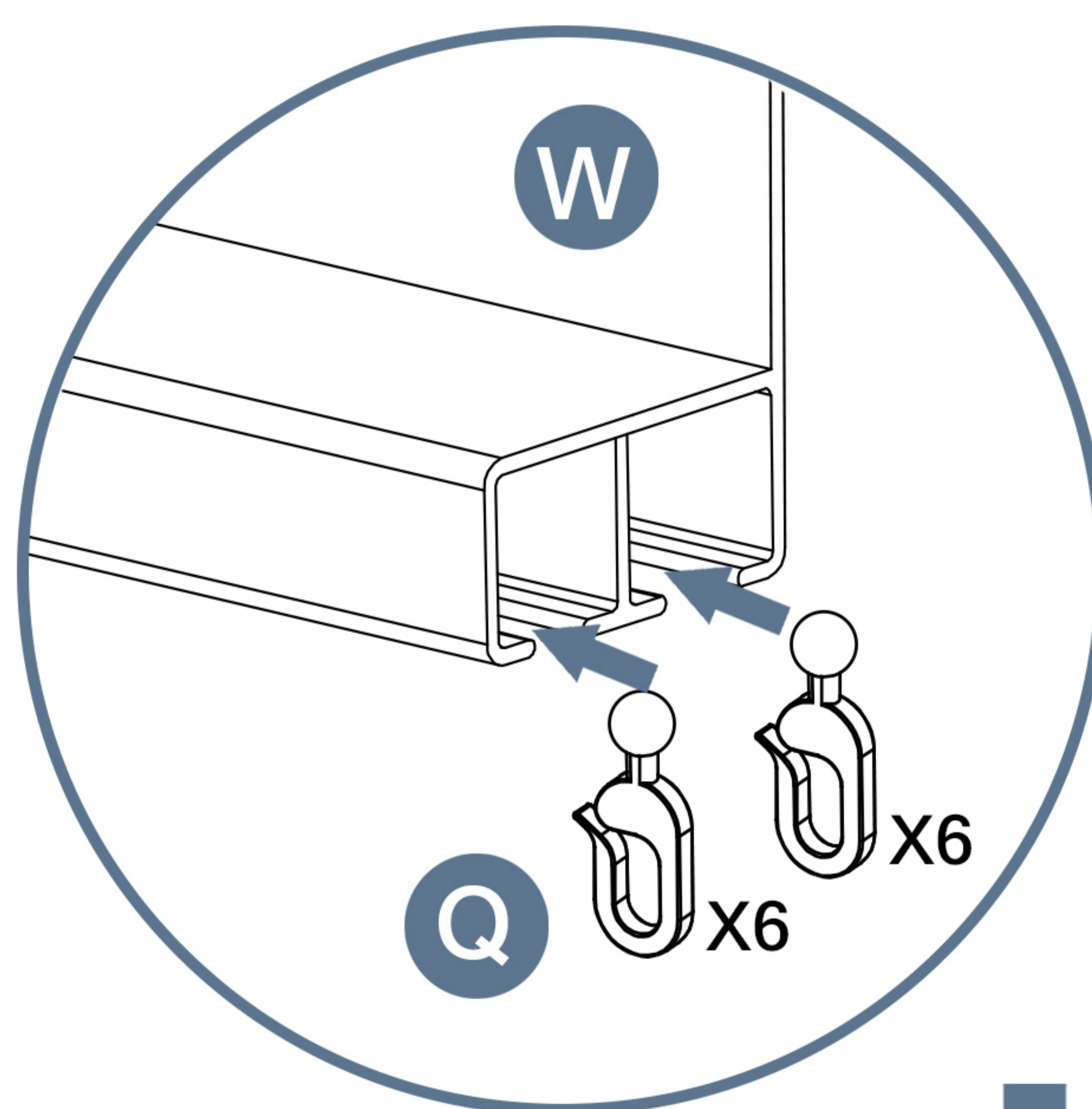
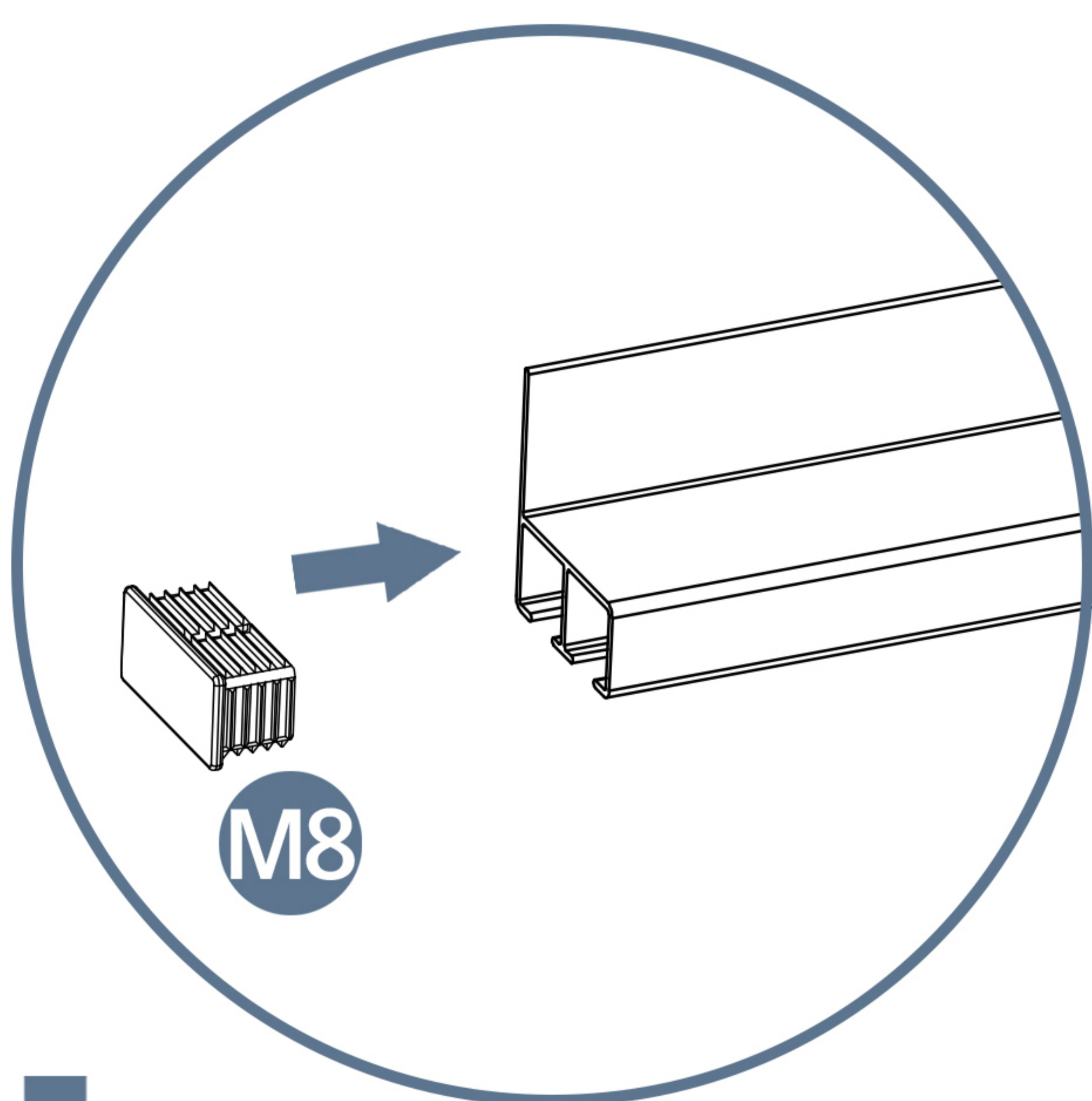
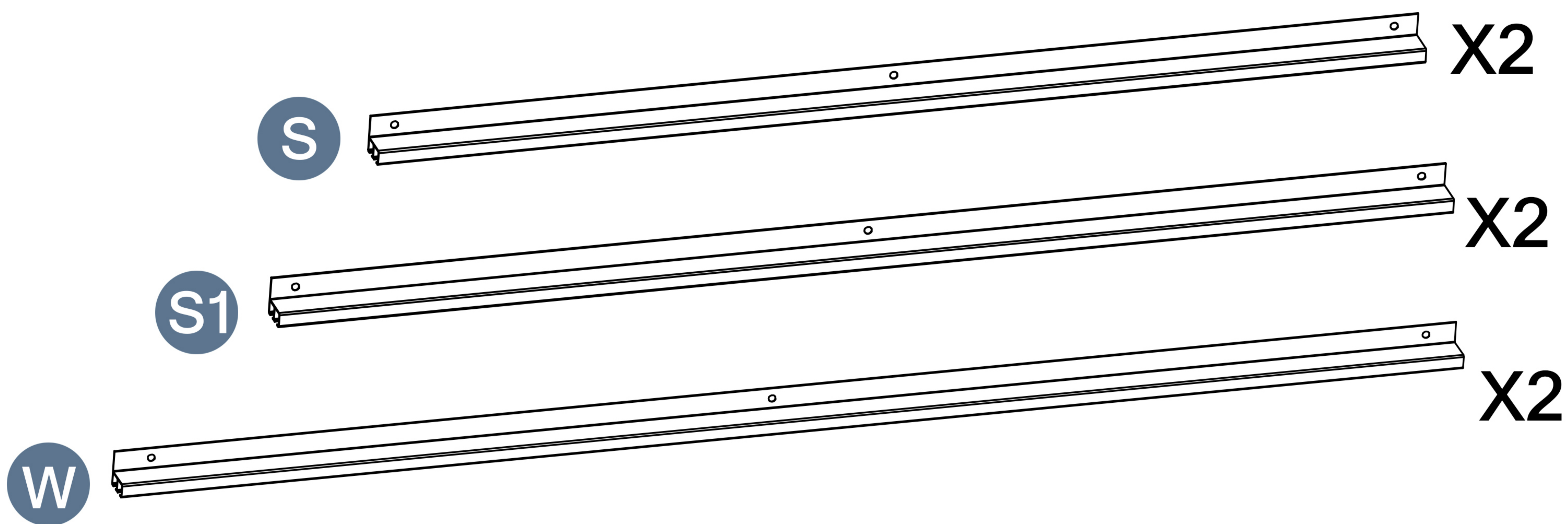
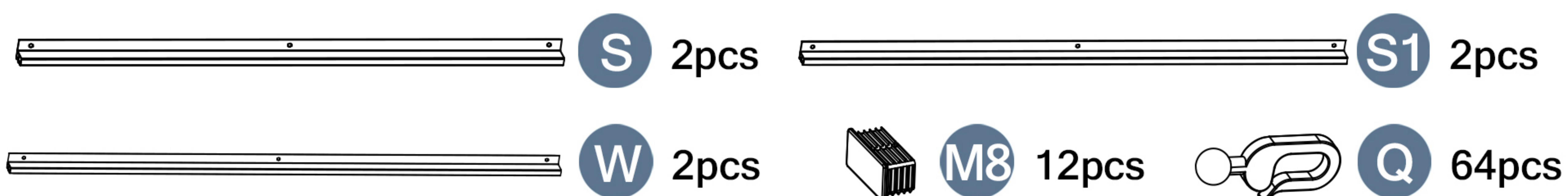
Keep all parts! For missing parts or installation issues, contact us.



E-mail: [cs.helper01@gmail.com](mailto:cs.helper01@gmail.com)

# STEP 8

Parts required



**! Hook in the Q first, then install the M8.**

**! Keep all parts! For missing parts or installation issues, contact us.**

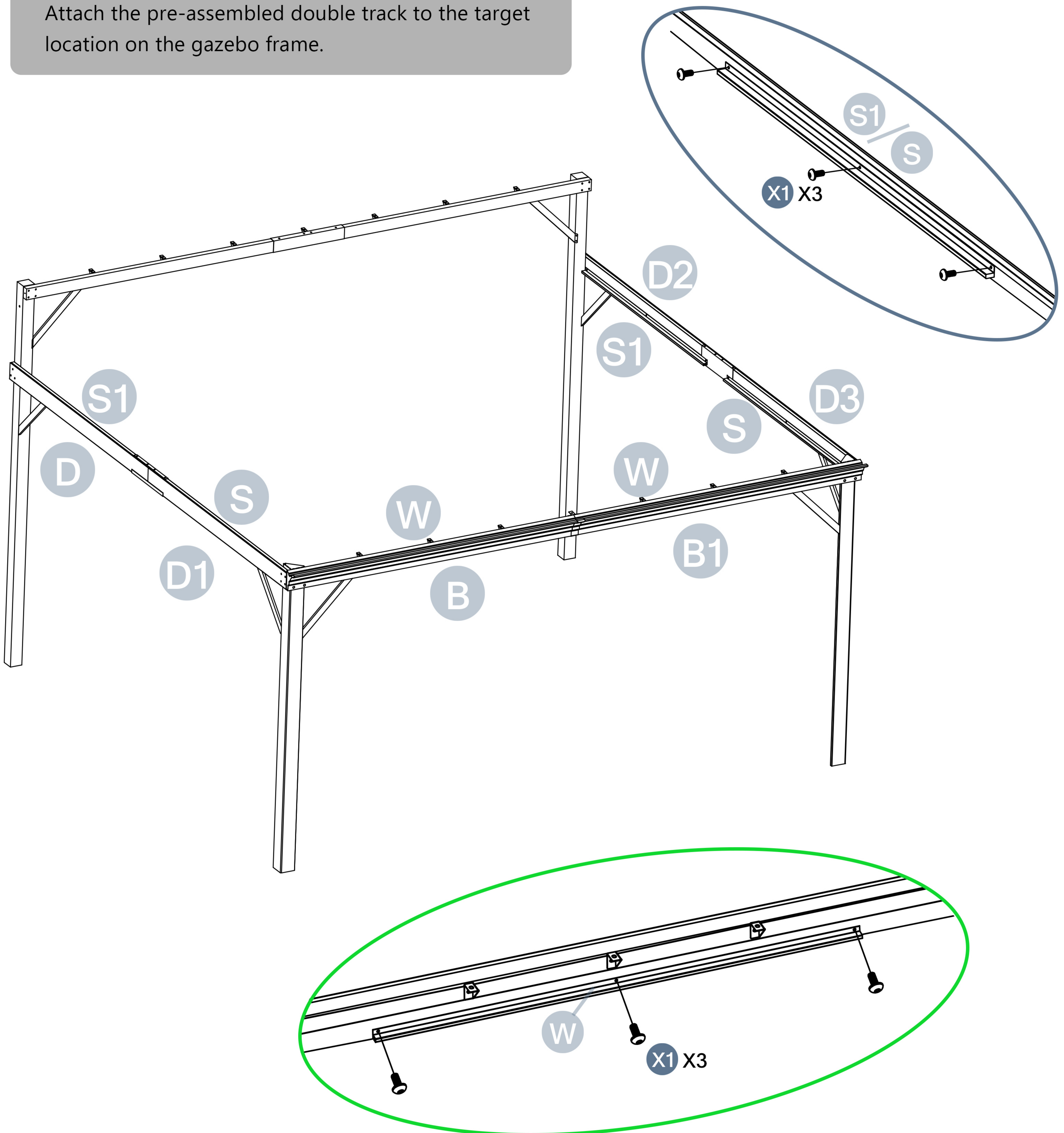
**➔ E-mail: [cs.helper01@gmail.com](mailto:cs.helper01@gmail.com)**

# STEP 9

Parts required

 X1 18pcs

Attach the pre-assembled double track to the target location on the gazebo frame.



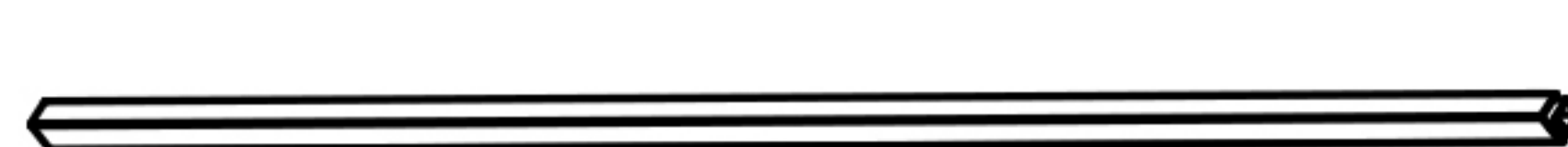
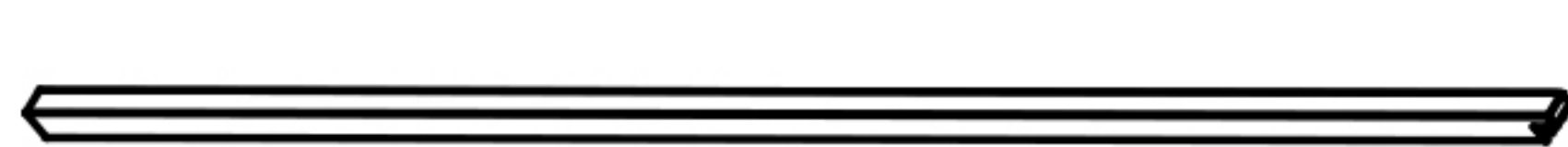


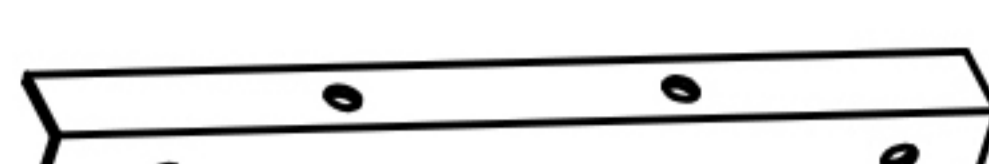

Keep all parts! For missing parts or installation issues, contact us.

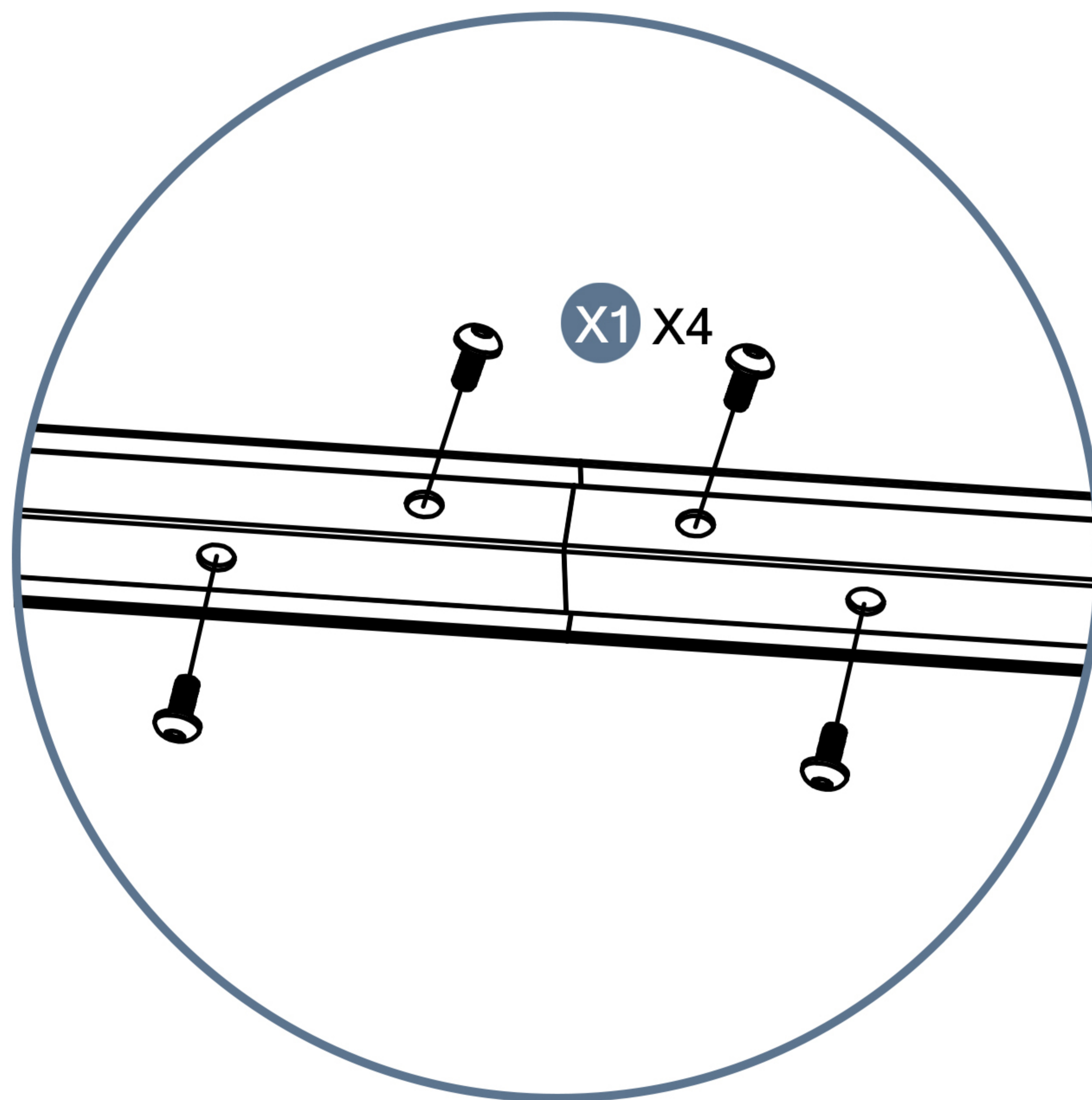
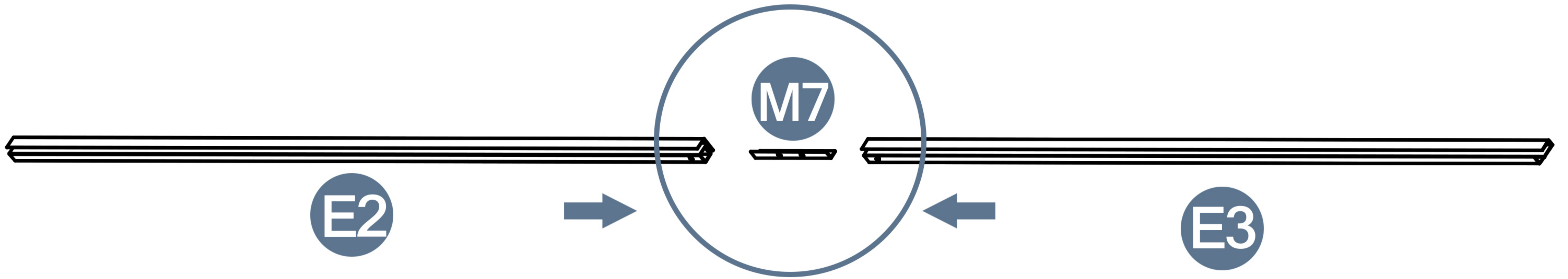
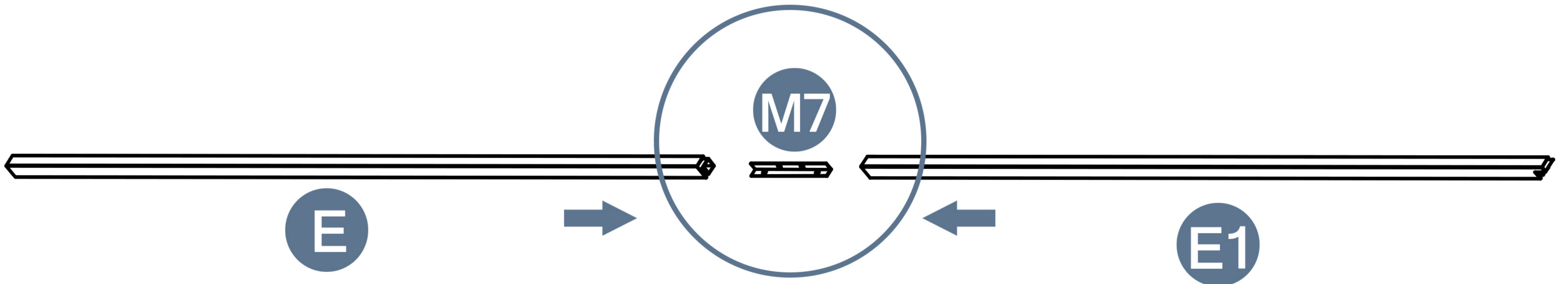


E-mail: [cs.helper01@gmail.com](mailto:cs.helper01@gmail.com)

# STEP 10

Parts required

- |  |   |
|--|---|
|  E 1pcs  |  E1 1pcs |
|  E2 1pcs |  E3 1pcs |
|  M7 2pcs |  X1 8pcs |

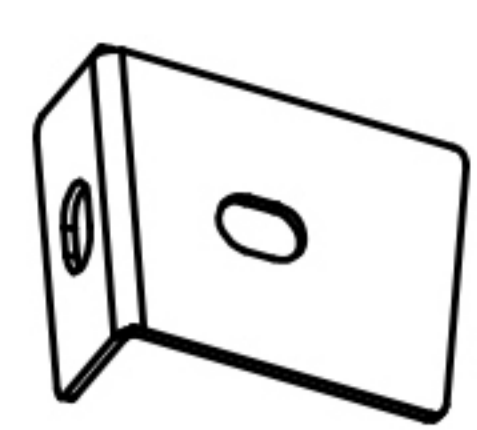


 Keep all parts! For missing parts or installation issues, contact us.

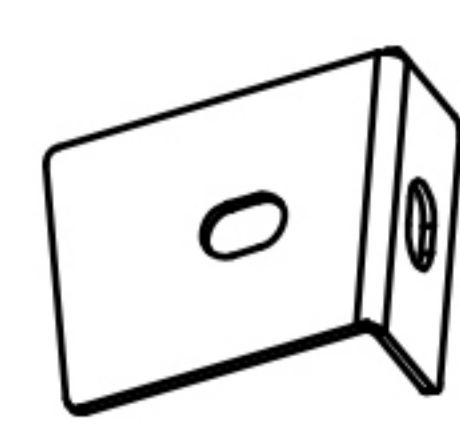
  E-mail: [cs.helper01@gmail.com](mailto:cs.helper01@gmail.com)

# STEP 11

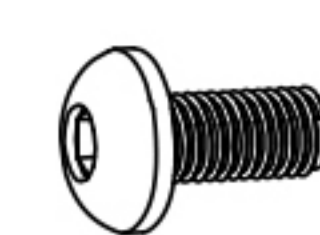
Parts required



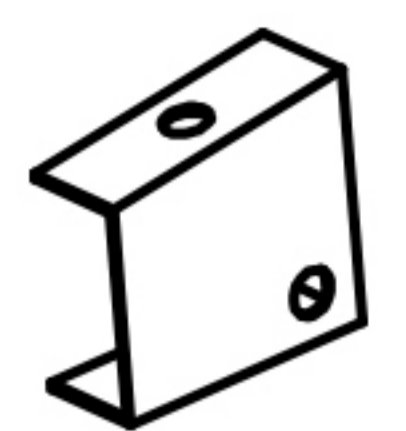
M3 1pcs



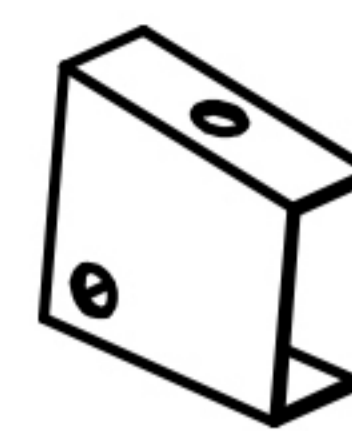
M4 1pcs



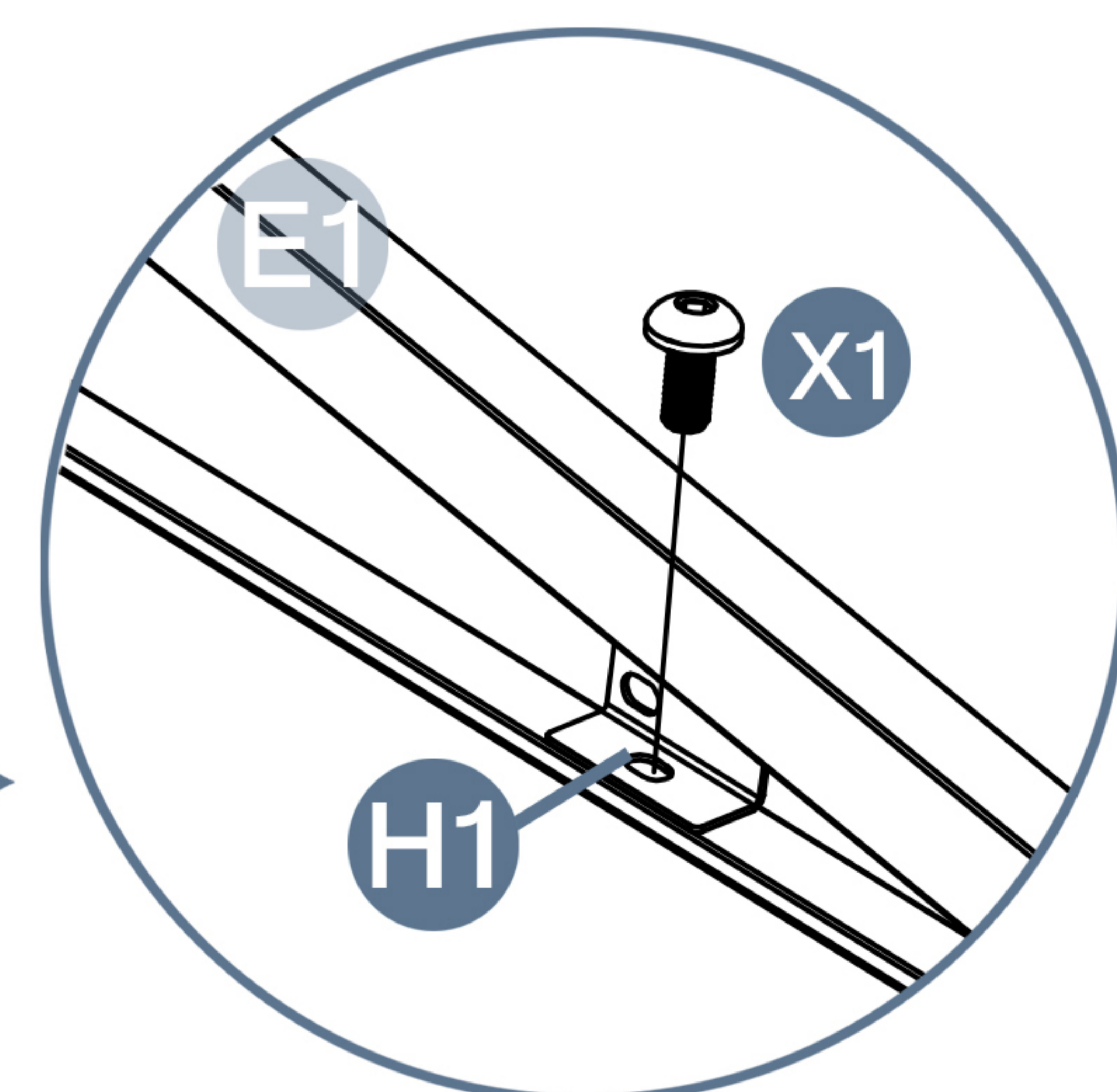
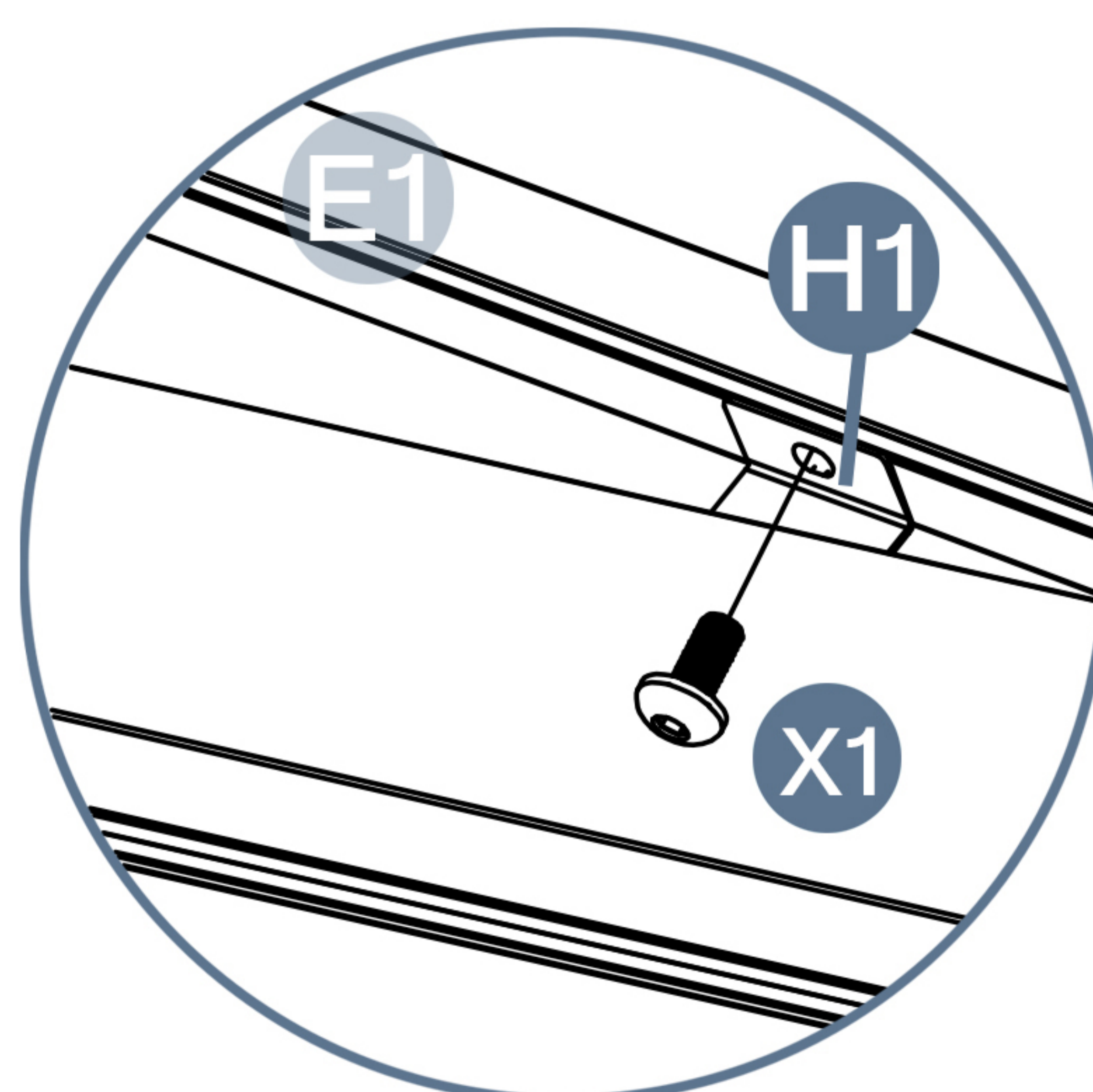
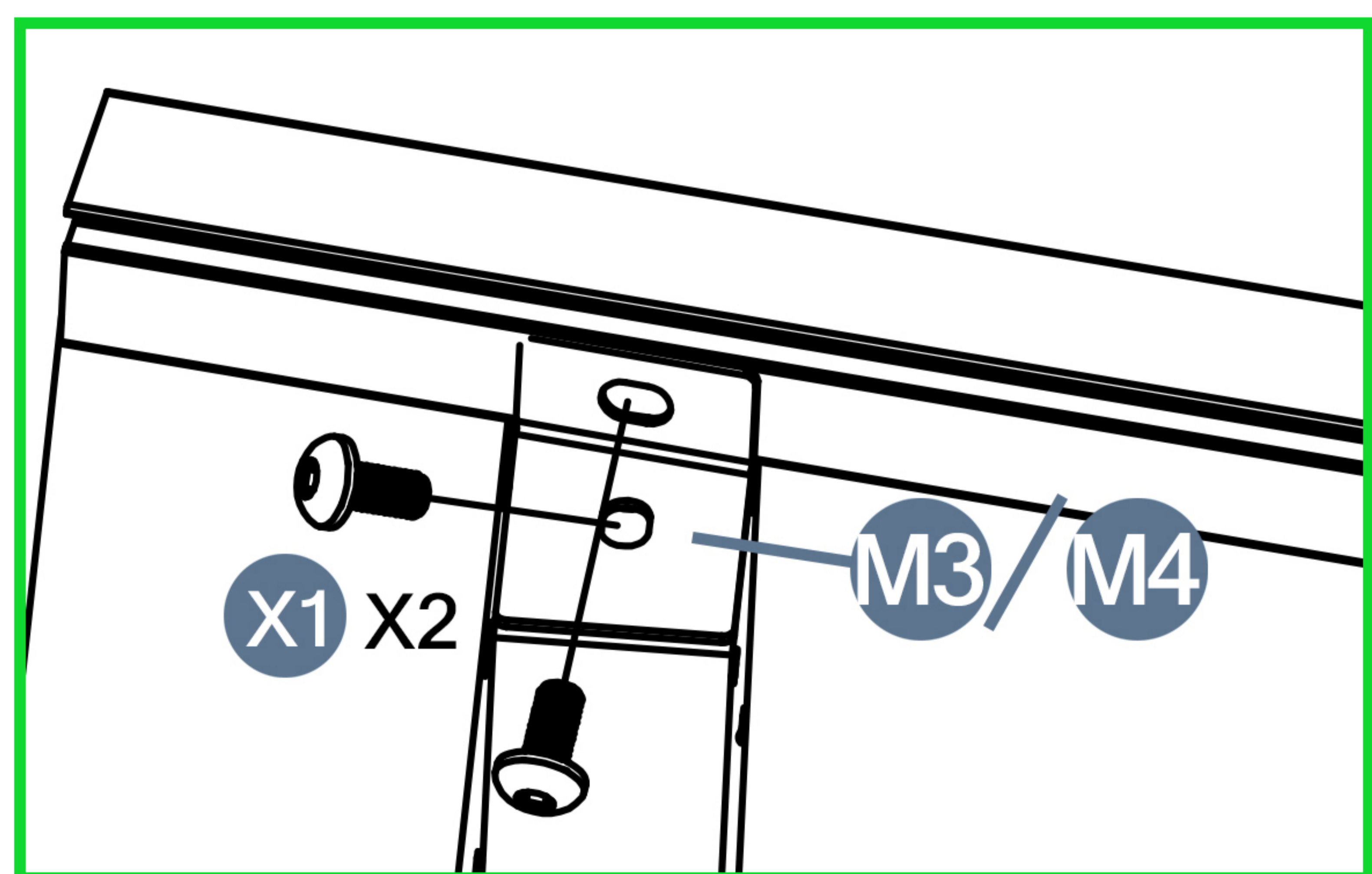
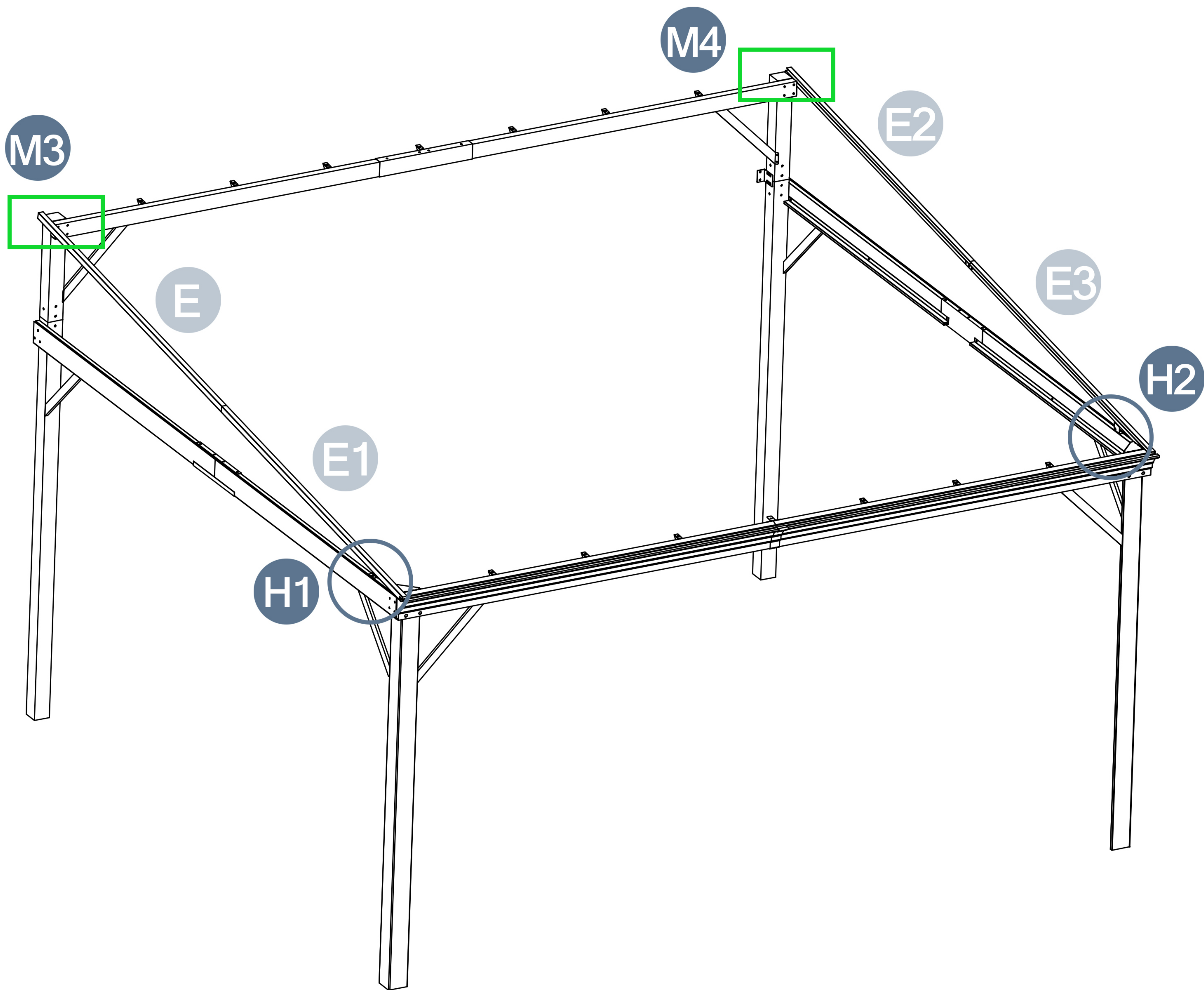
X1 8pcs



H1 1pcs



H2 1pcs



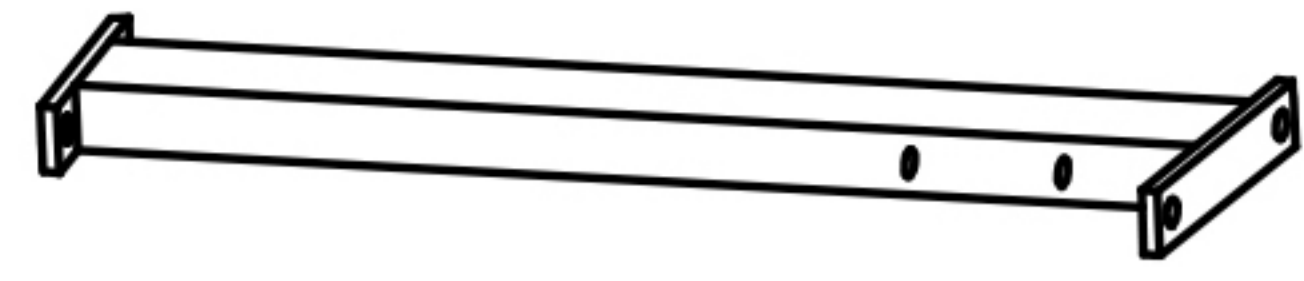
Keep all parts! For missing parts or installation issues, contact us.



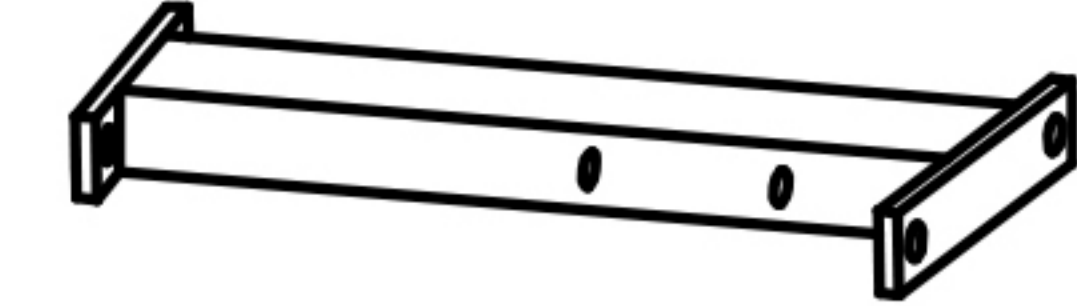
E-mail: [cs.helper01@gmail.com](mailto:cs.helper01@gmail.com)

# STEP 12

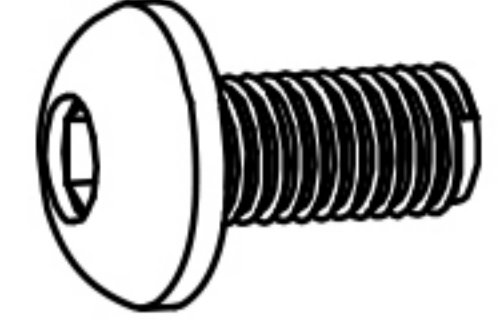
Parts required



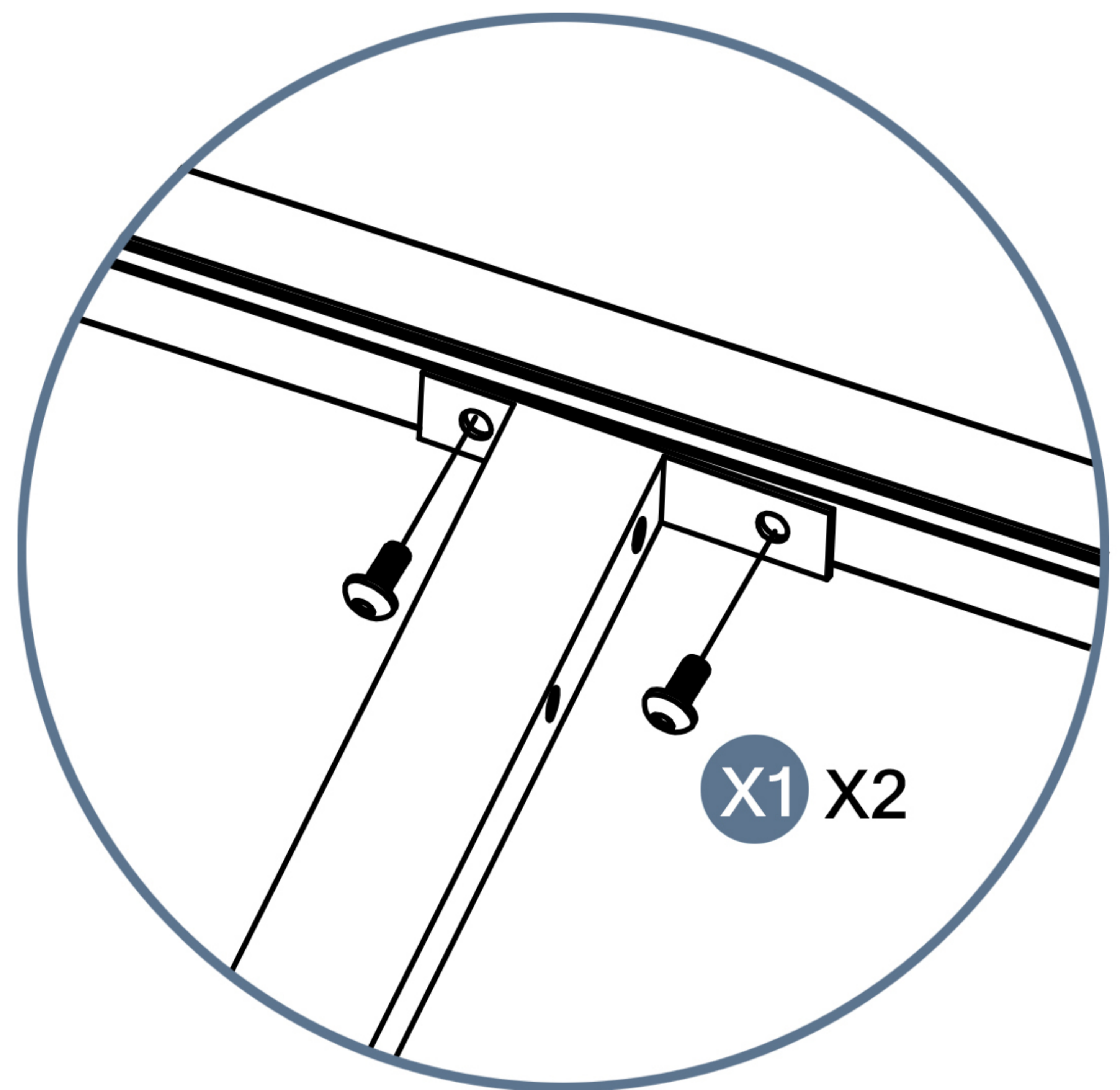
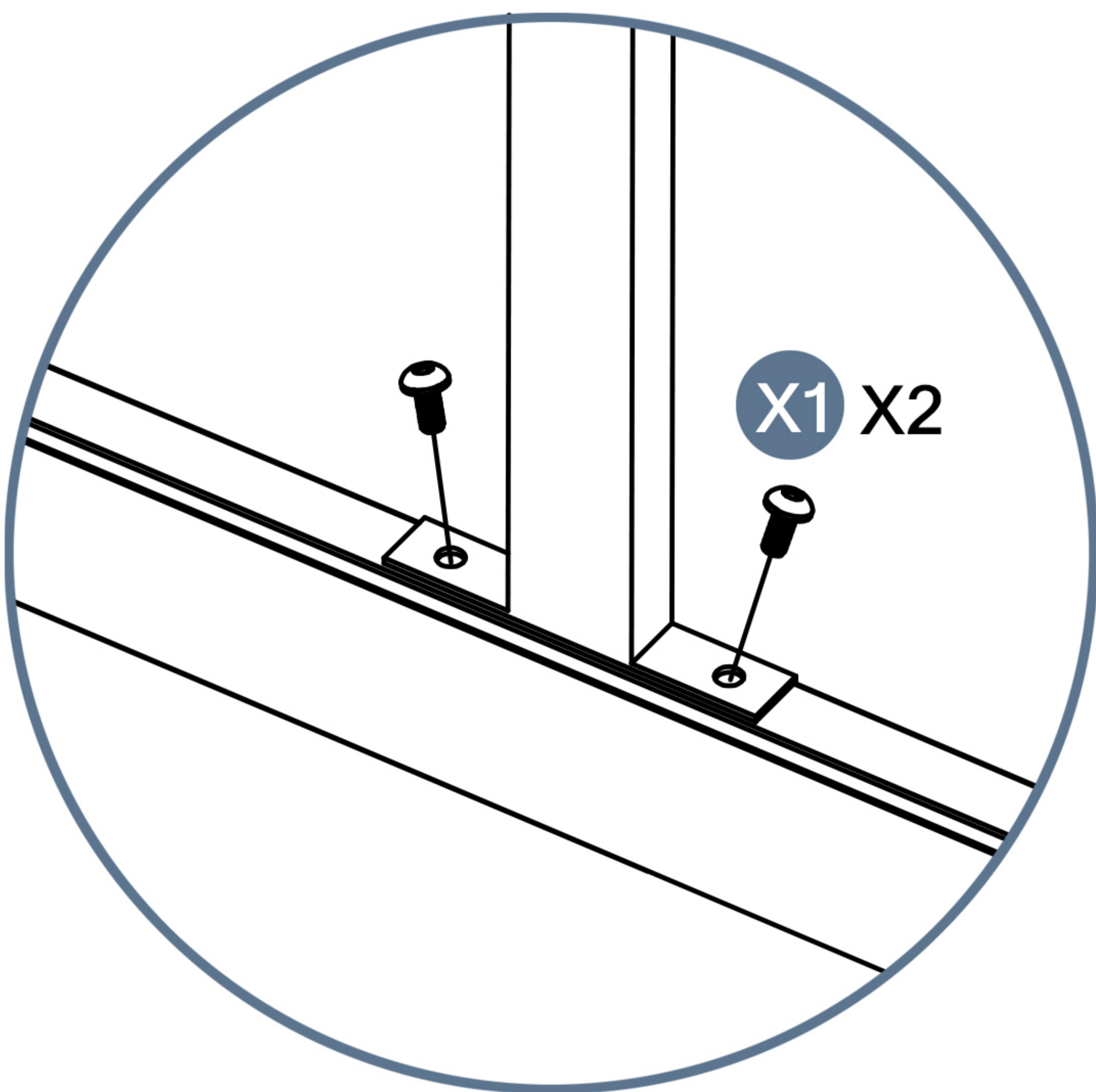
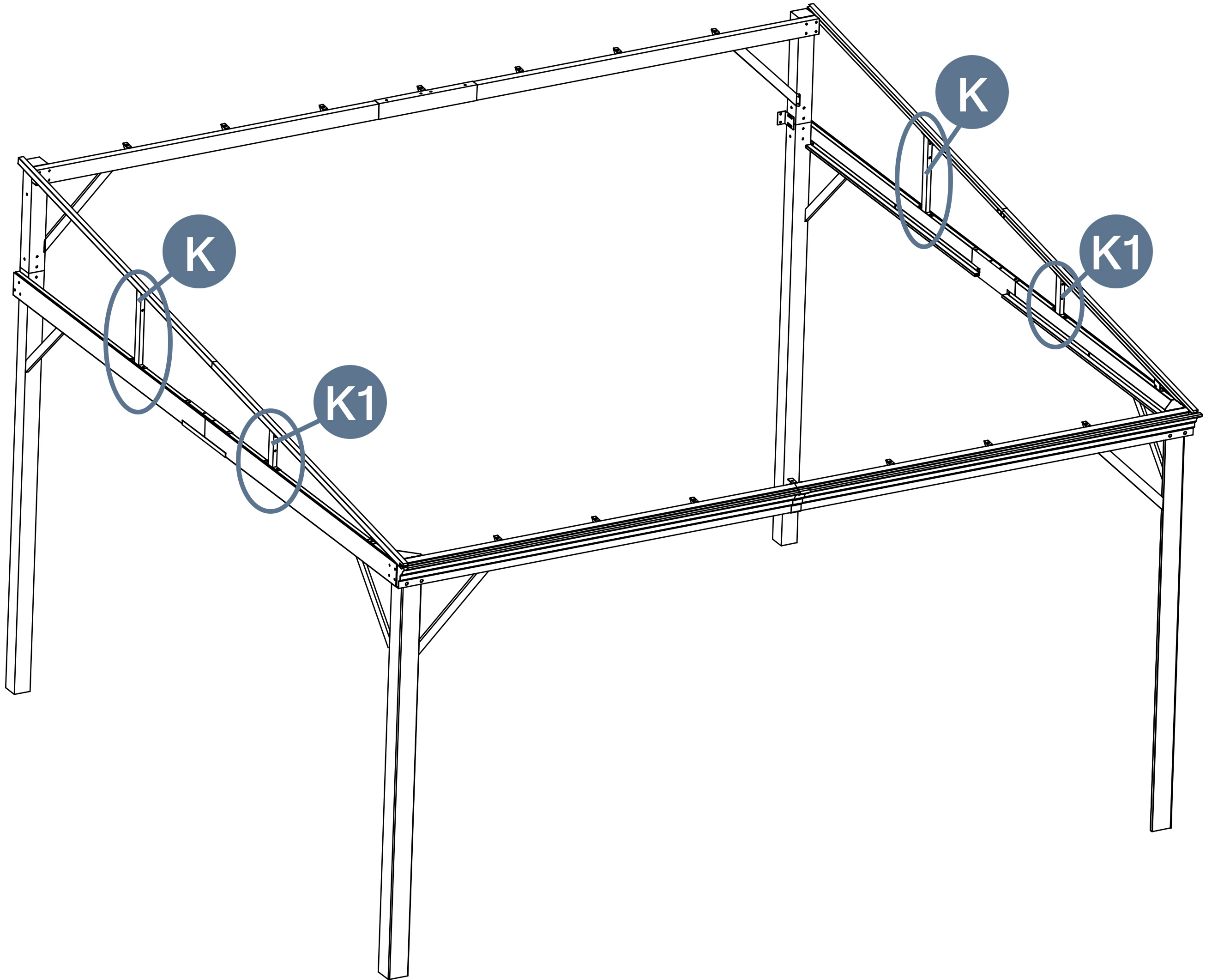
**K** 2pcs



**K1** 2pcs



**X1** 16pcs

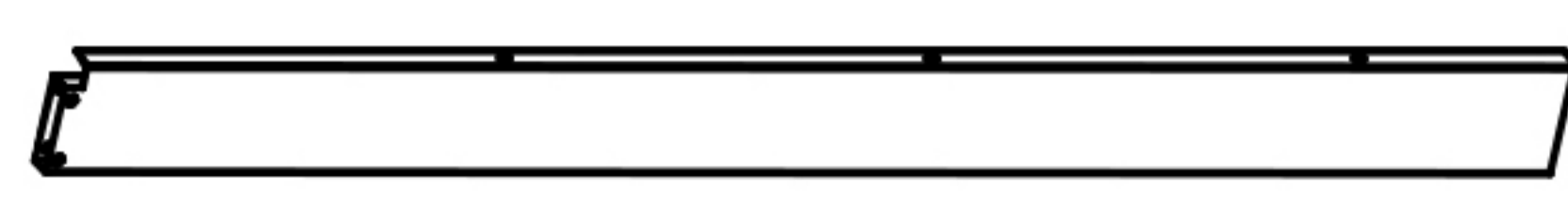


! Keep all parts! For missing parts or installation issues, contact us.

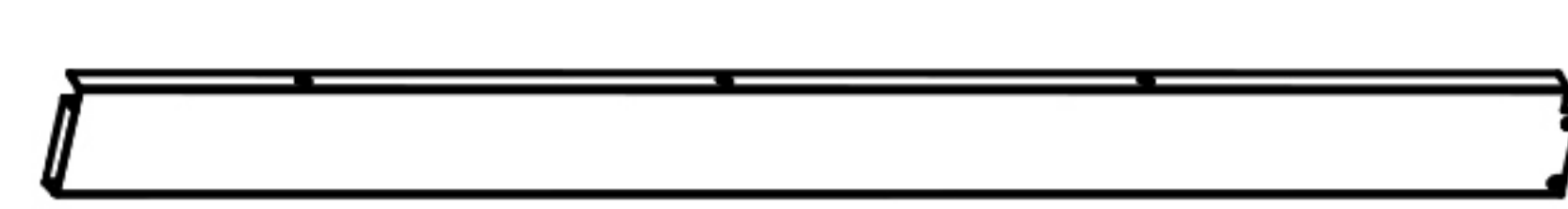
➔ ✉ E-mail: [cs.helper01@gmail.com](mailto:cs.helper01@gmail.com)

# STEP 13

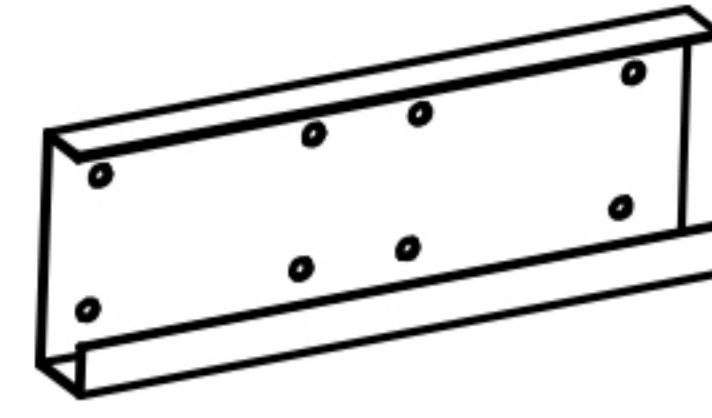
Parts required



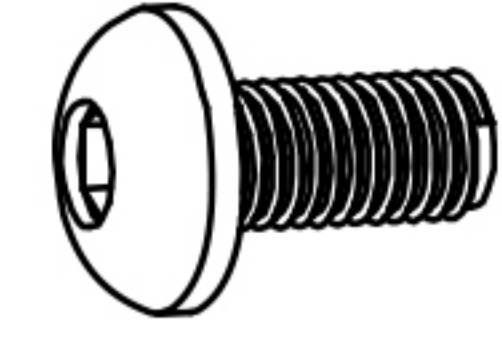
C 2pcs



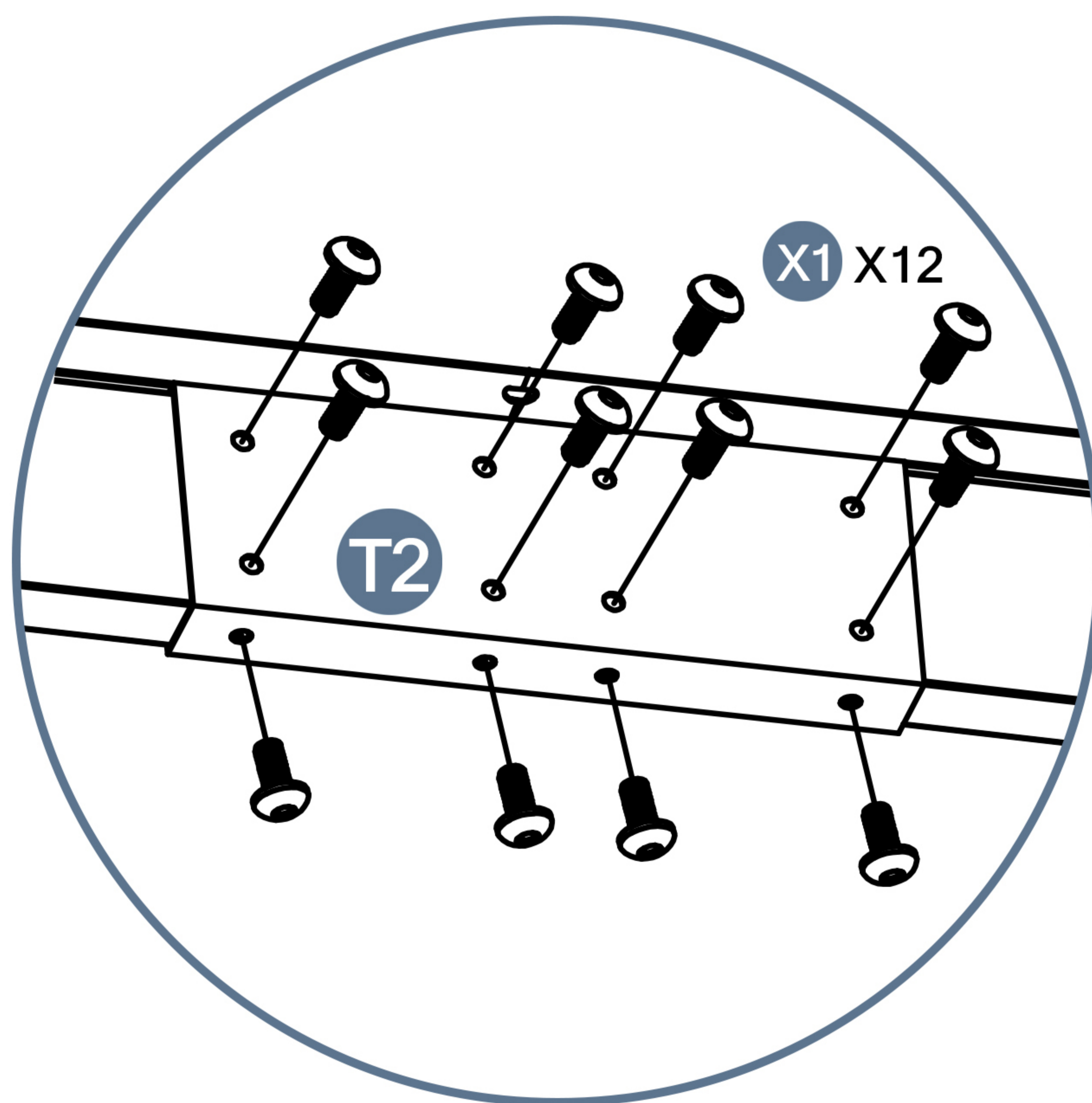
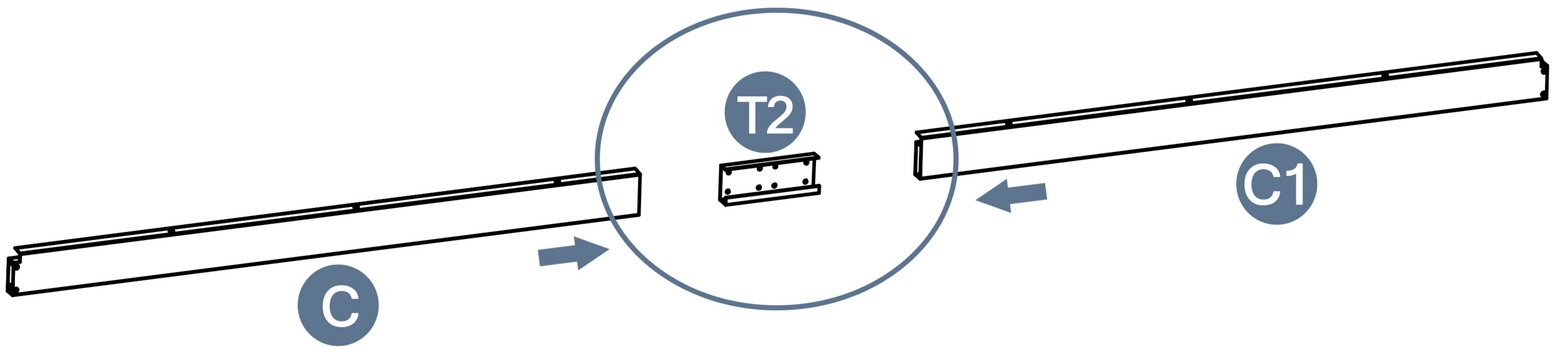
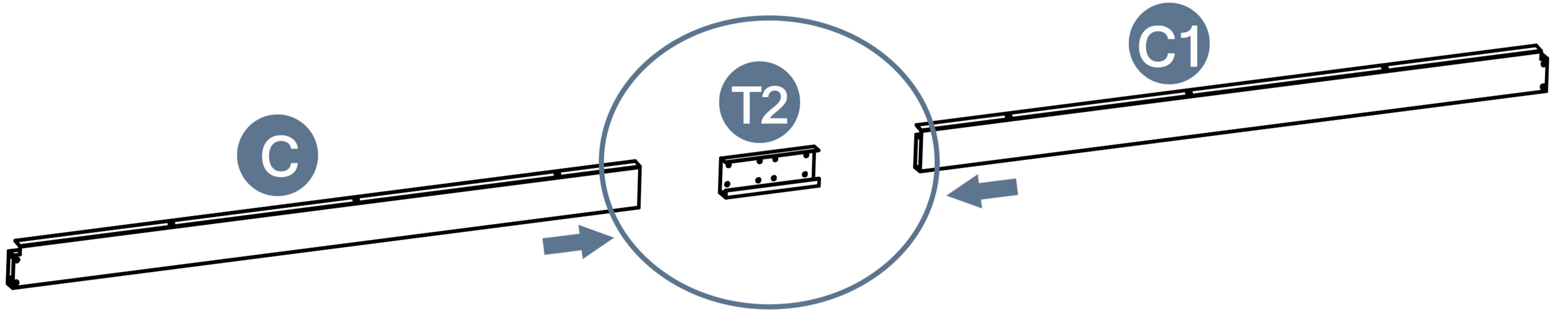
C1 2pcs



T2 2pcs



X1 24pcs



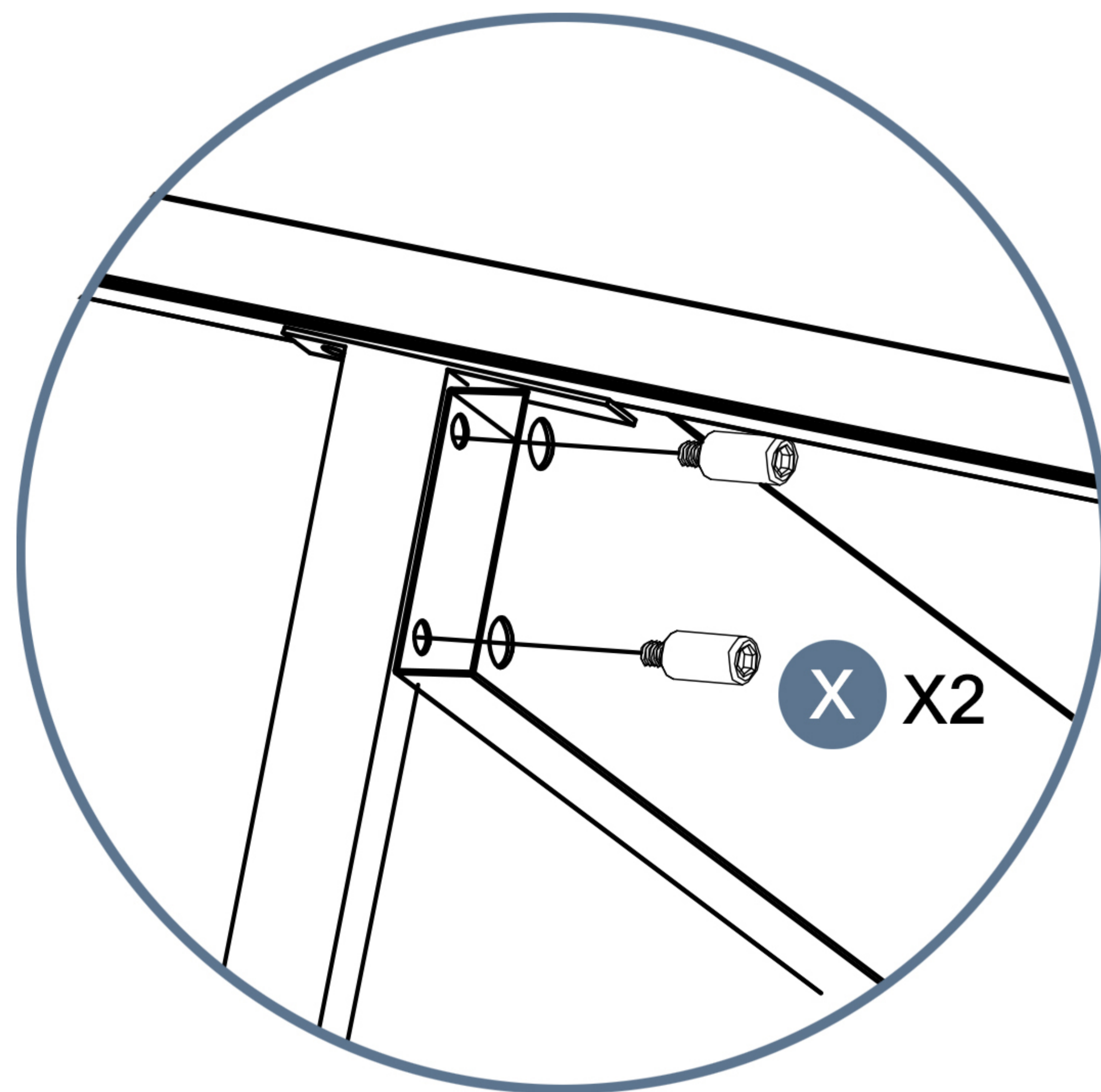
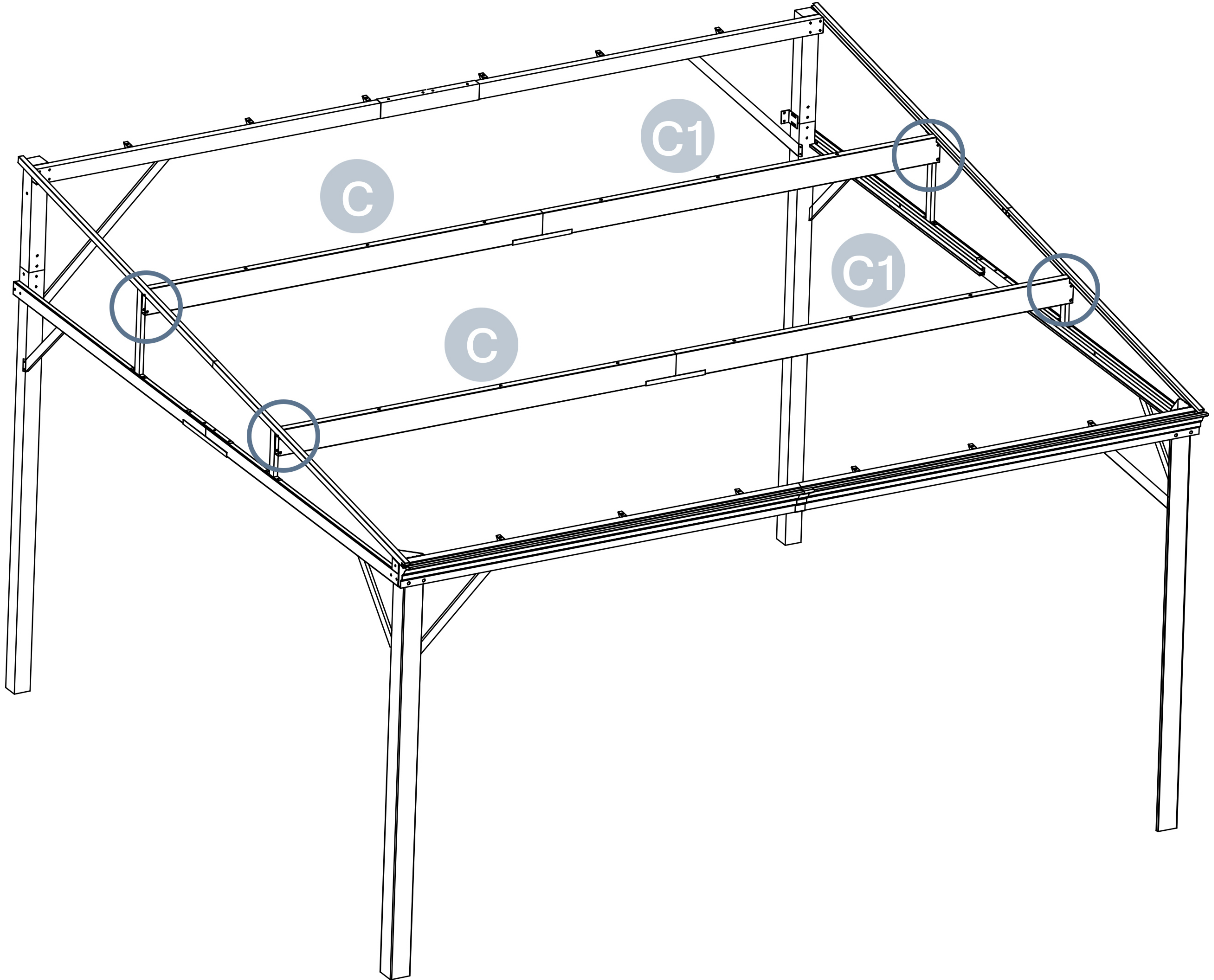
Keep all parts! For missing parts or installation issues, contact us.



E-mail: [cs.helper01@gmail.com](mailto:cs.helper01@gmail.com)

# STEP 14

Parts required

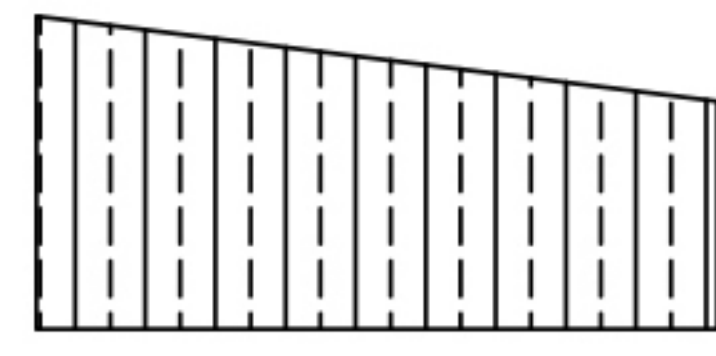


! Keep all parts! For missing parts or installation issues, contact us.

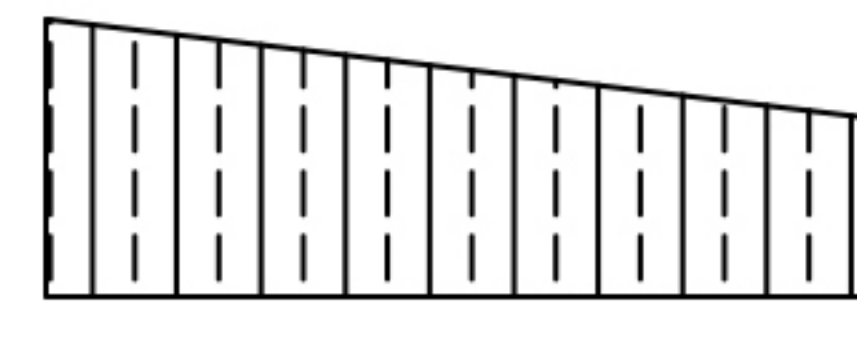
➔ ✉ E-mail: [cs.helper01@gmail.com](mailto:cs.helper01@gmail.com)

# STEP 15

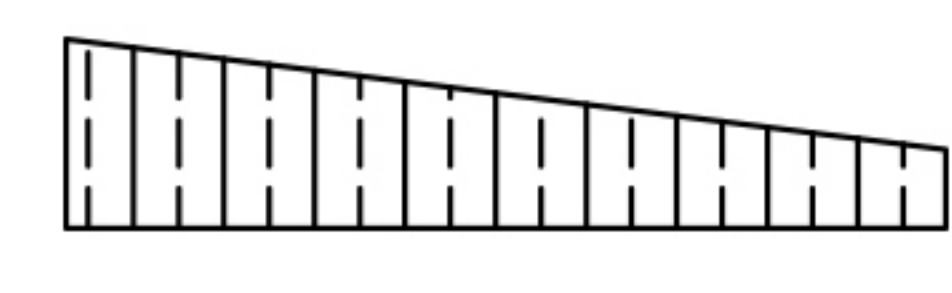
Parts required



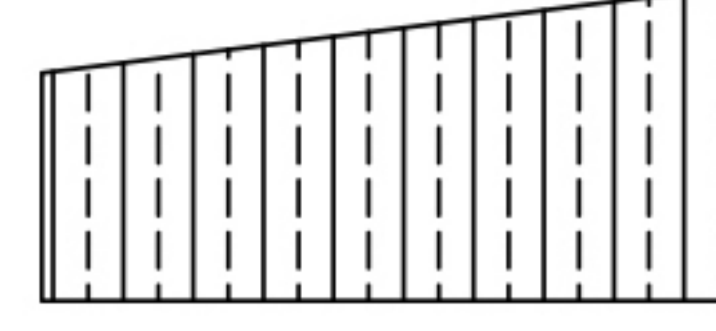
Y1 1pcs



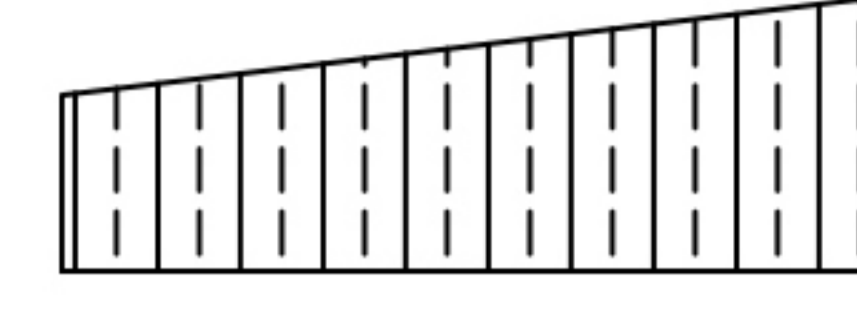
Y2 1pcs



Y3 1pcs



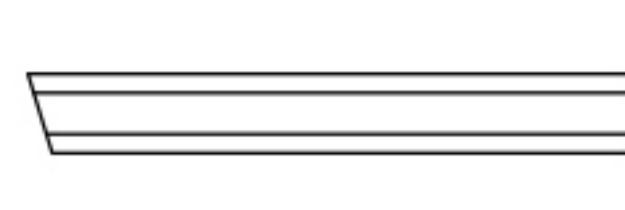
Y4 1pcs



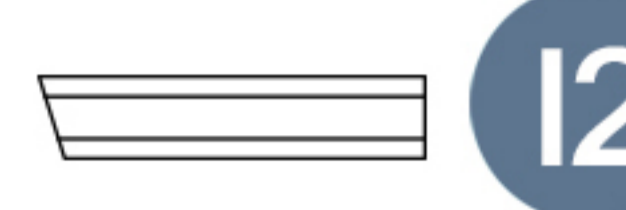
Y5 1pcs



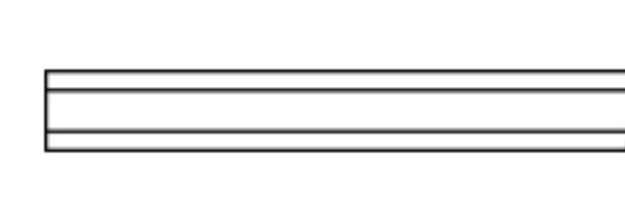
Y6 1pcs



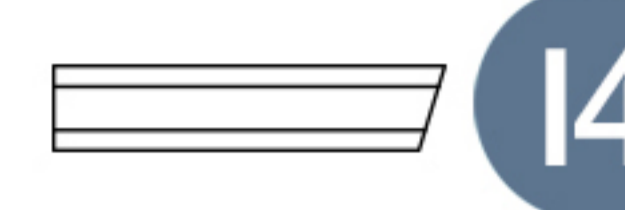
I1 1pcs



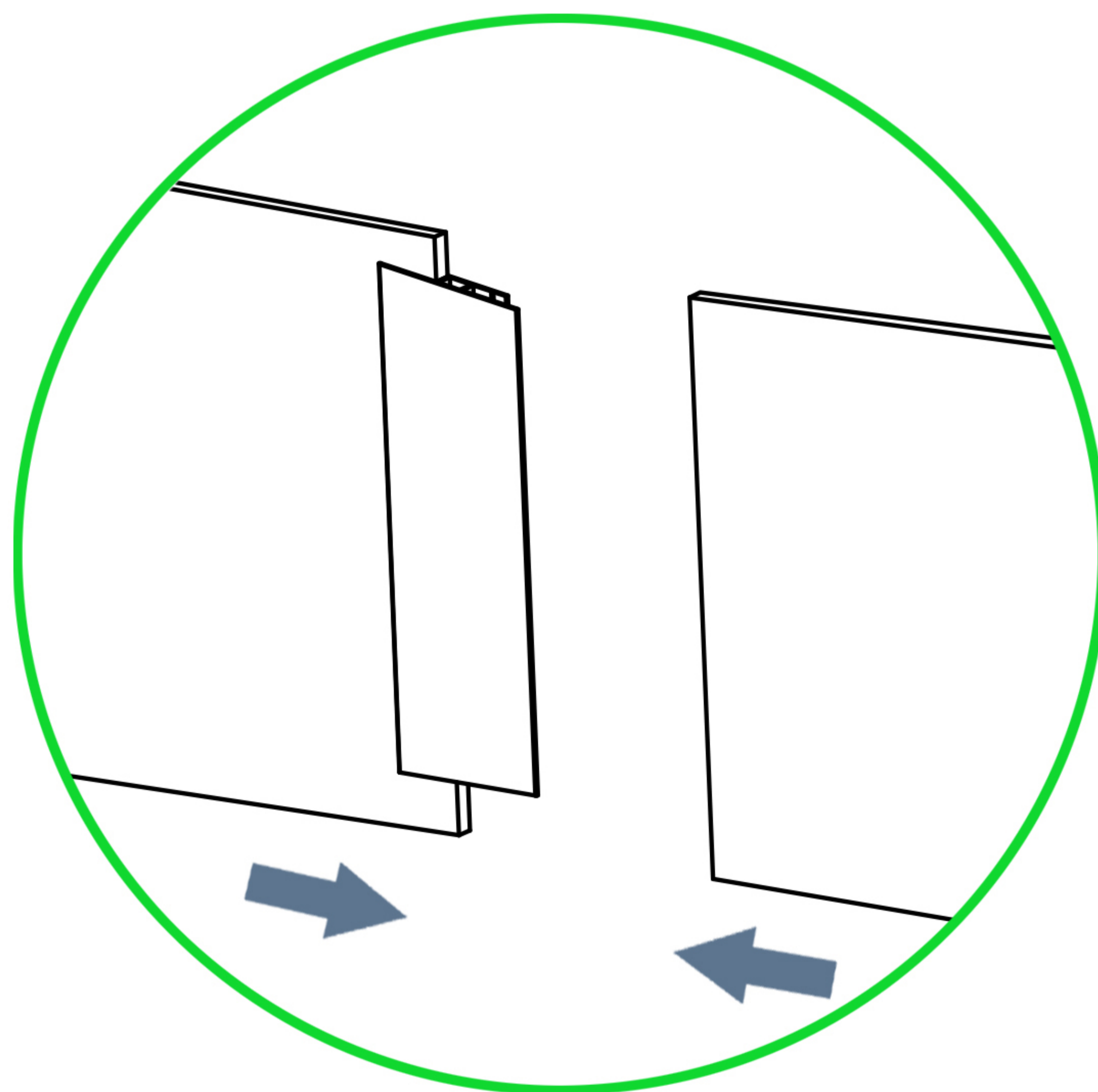
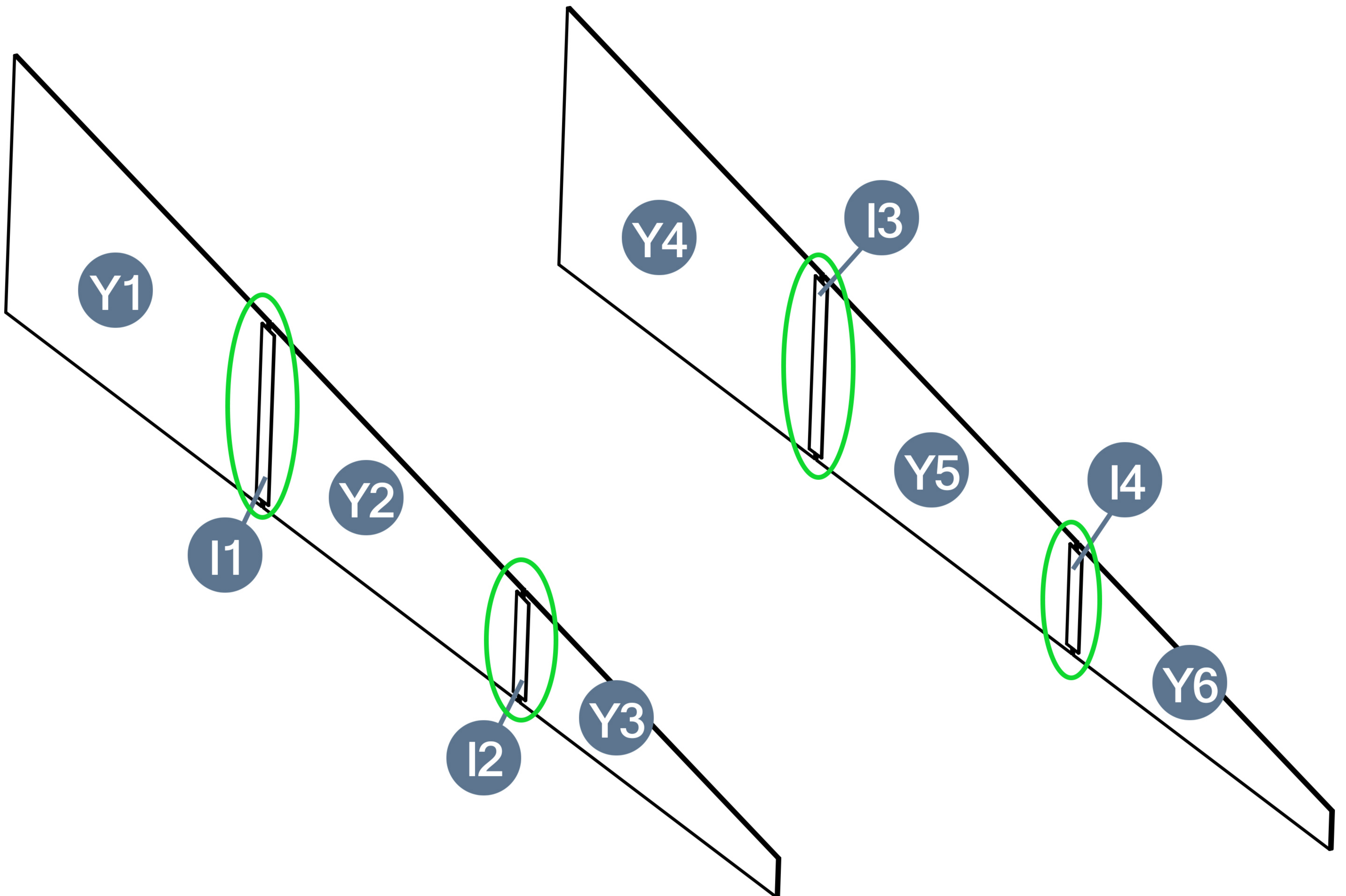
I2 1pcs



I3 1pcs



I4 1pcs



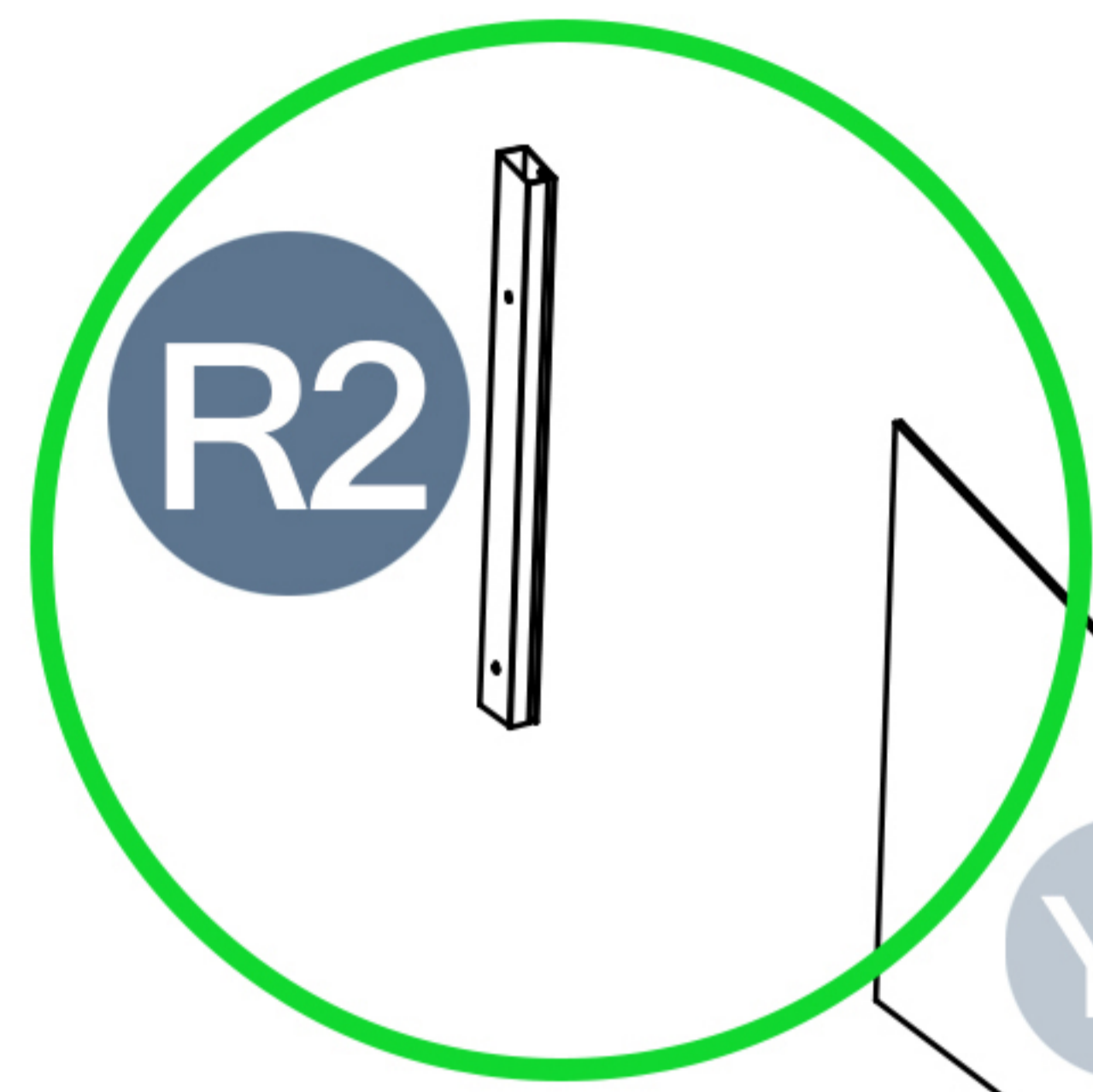
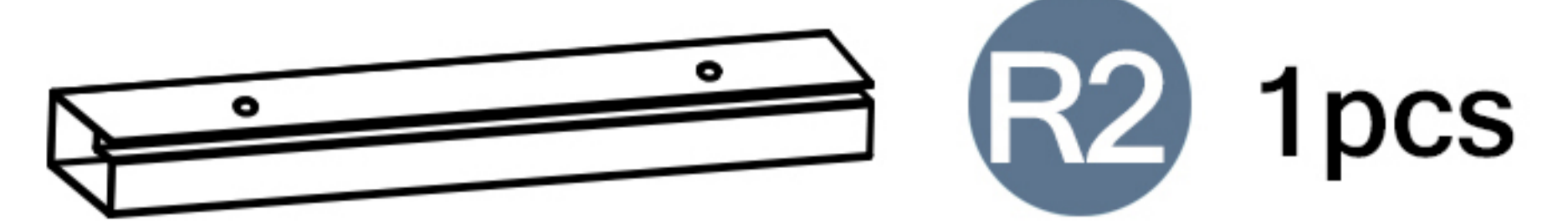
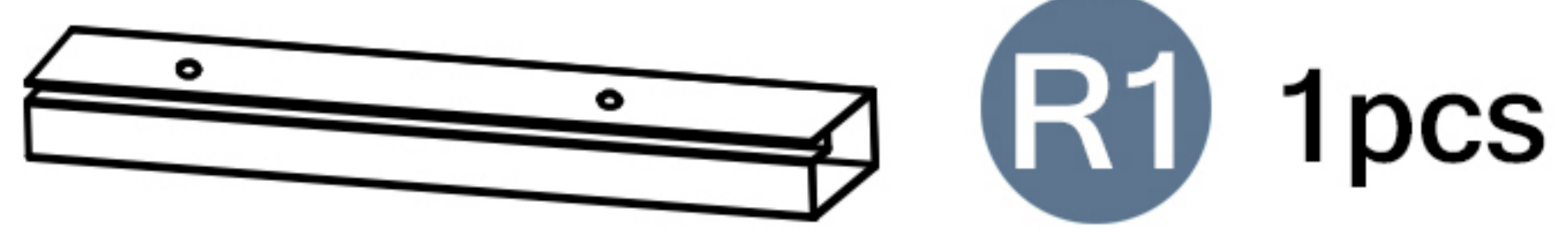
Keep all parts! For missing parts or installation issues, contact us.



E-mail: [cs.helper01@gmail.com](mailto:cs.helper01@gmail.com)

# STEP 16

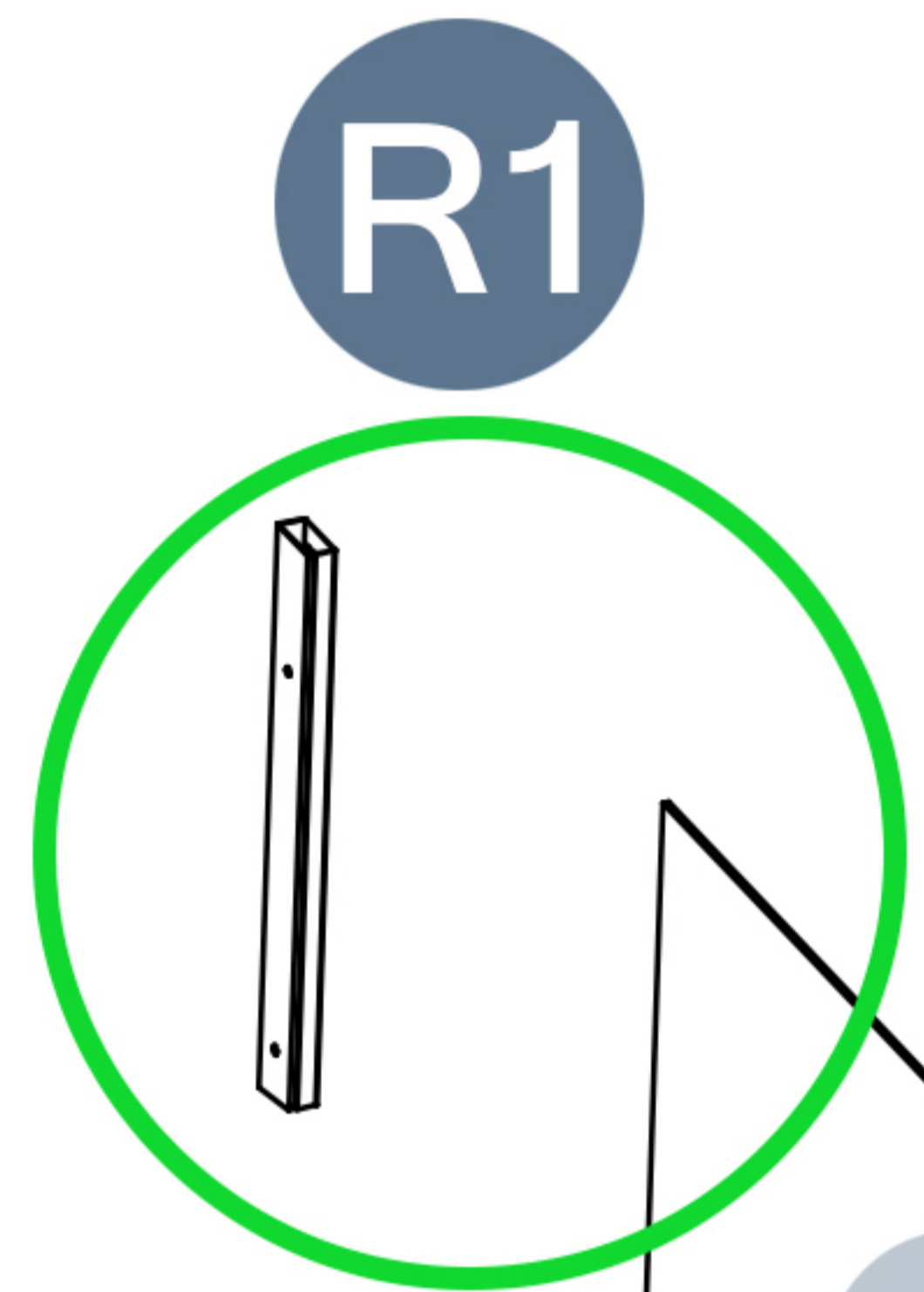
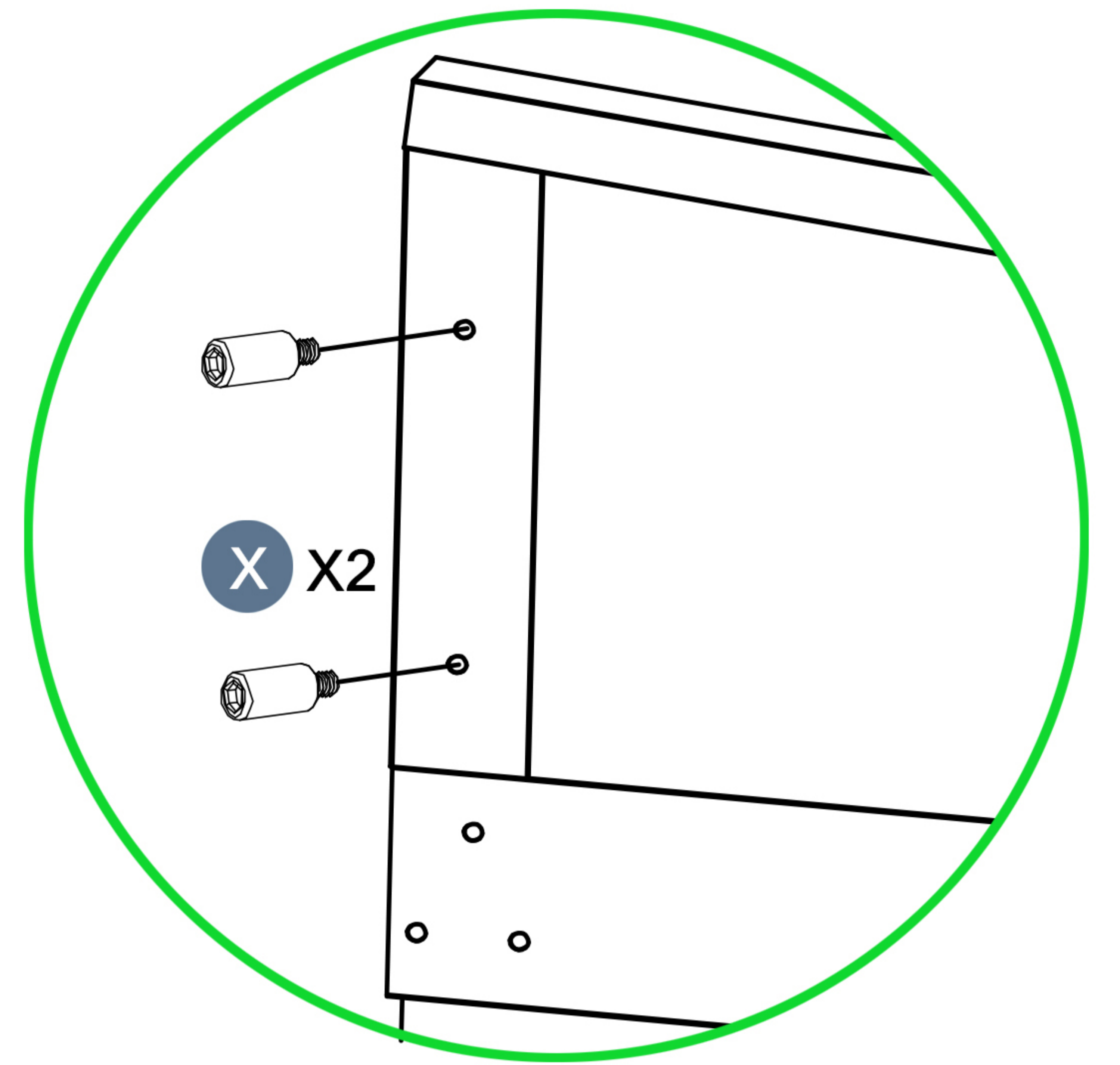
Parts required



Y4

Y5

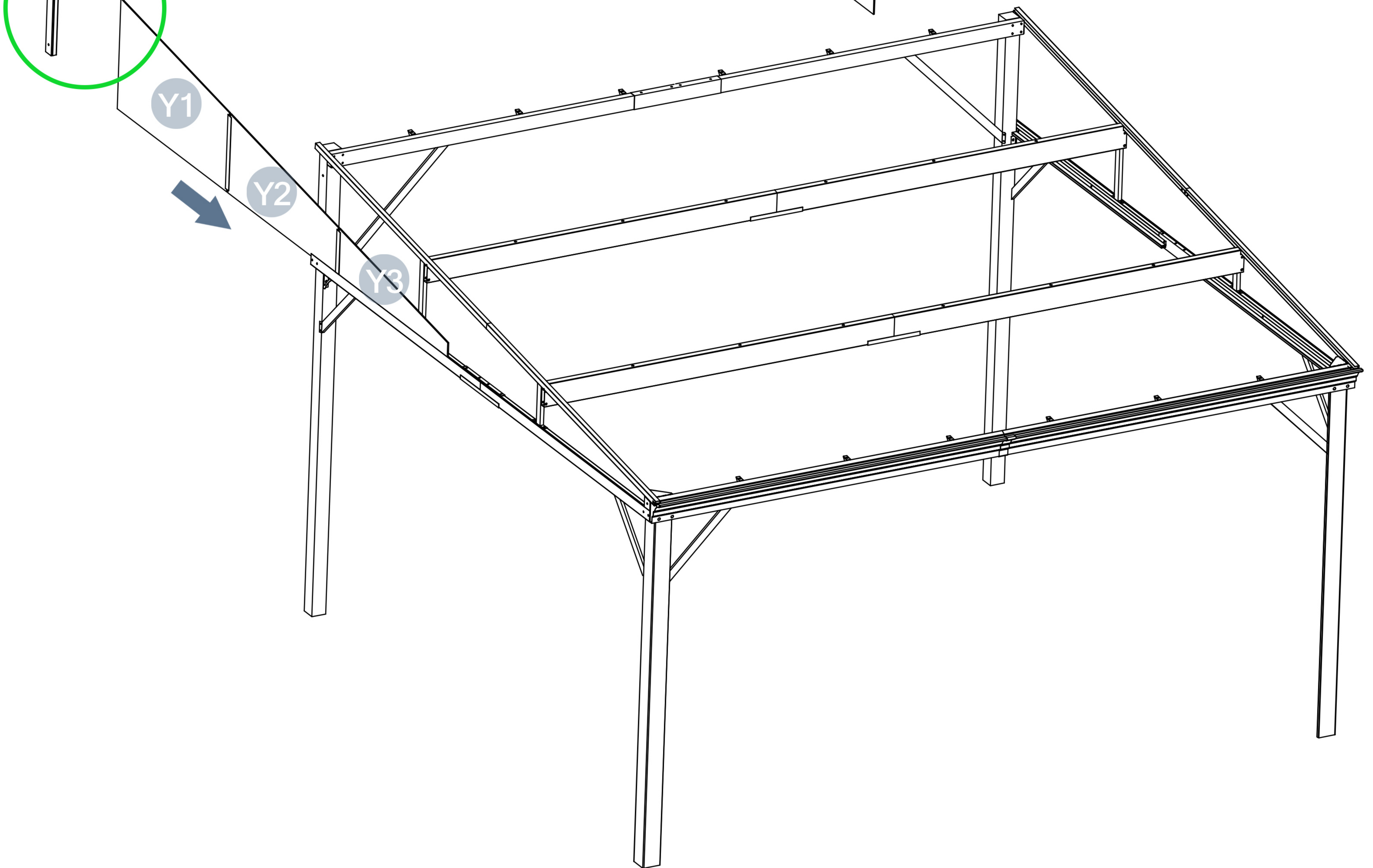
Y6



Y1

Y2

Y3

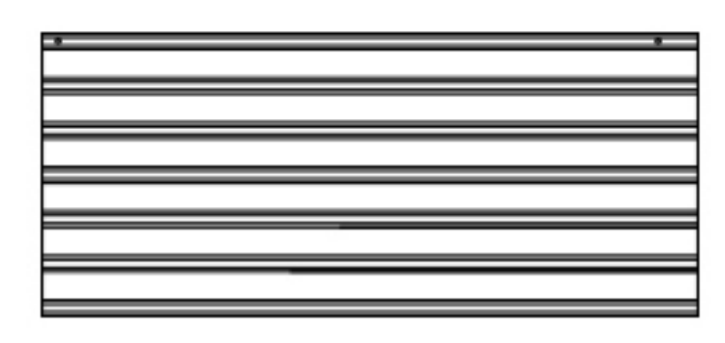


 Keep all parts! For missing parts or installation issues, contact us.

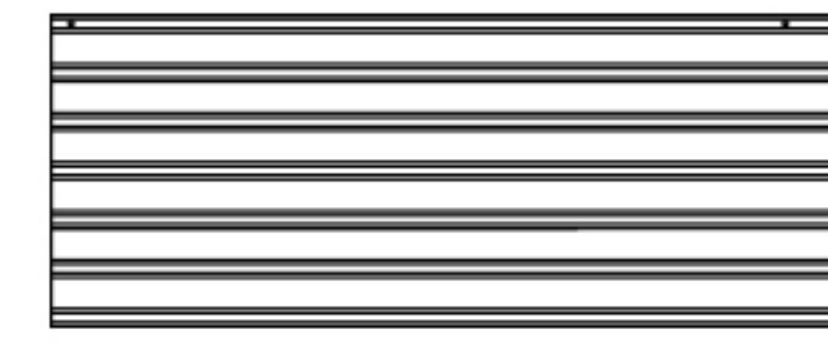
  E-mail: [cs.helper01@gmail.com](mailto:cs.helper01@gmail.com)

# STEP 17

Parts required



N1 1pcs



N2 1pcs



N3 1pcs



N4 6pcs



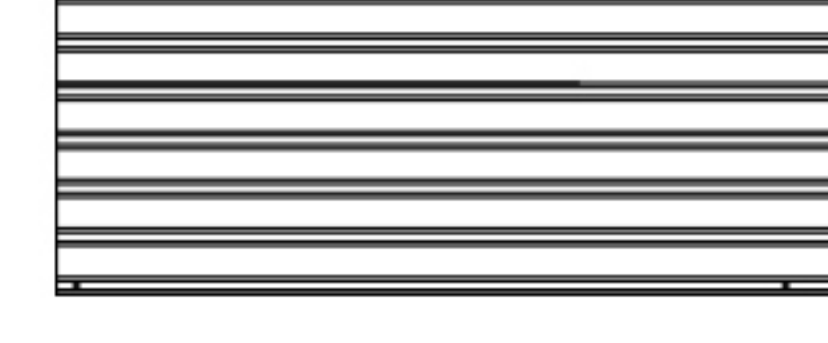
N5 6pcs



N6 6pcs



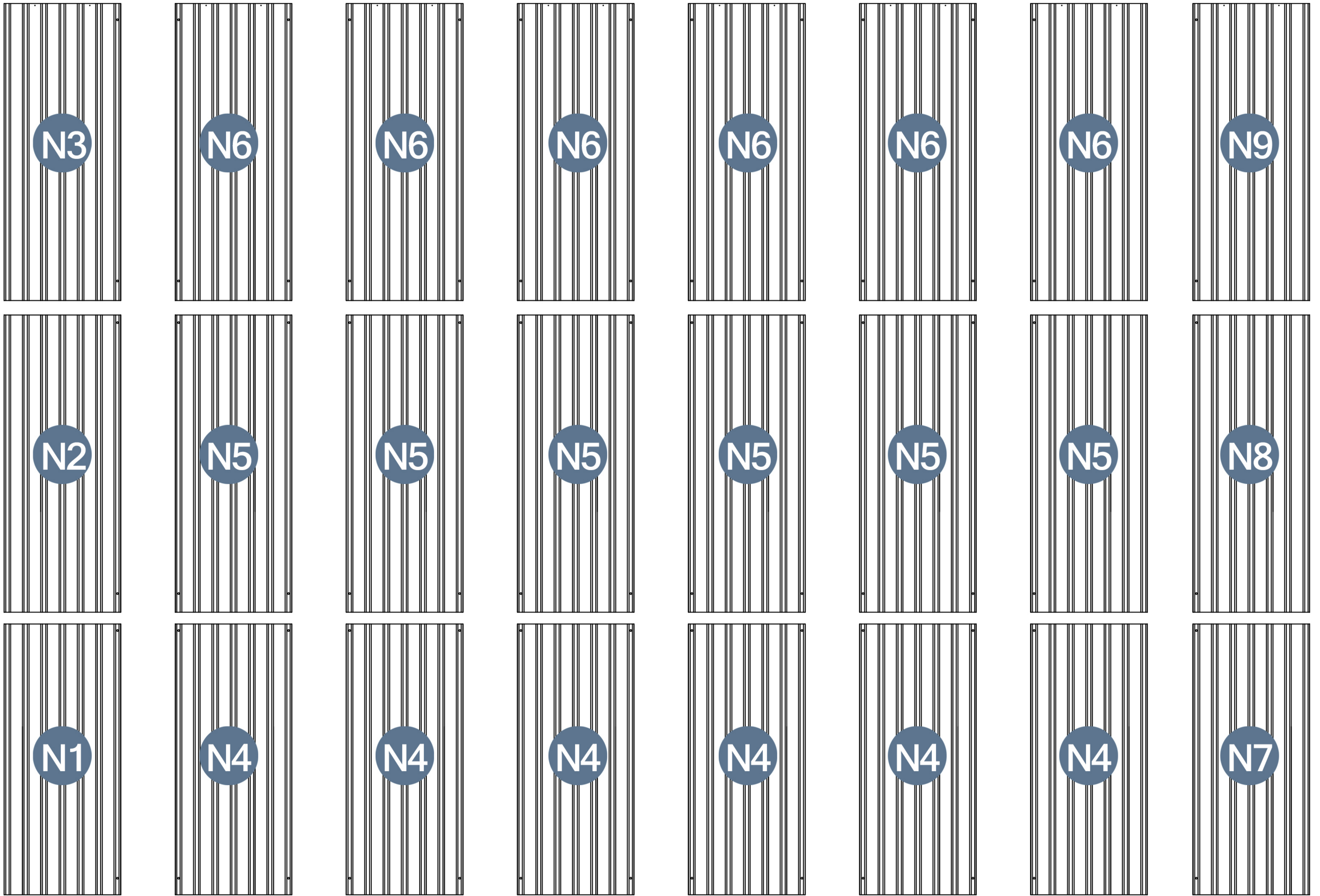
N7 1pcs



N8 1pcs



N9 1pcs



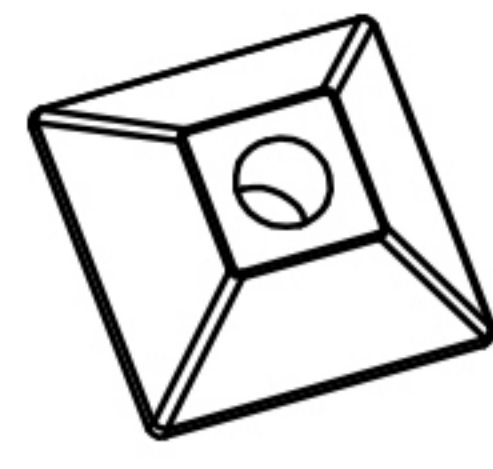
Keep all parts! For missing parts or installation issues, contact us.



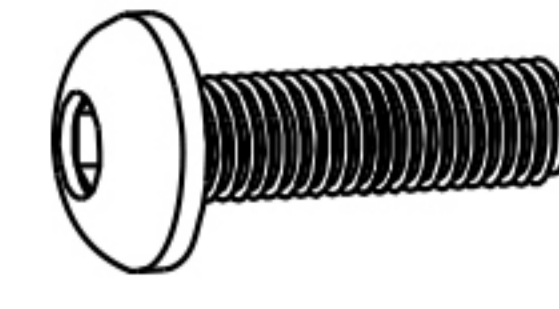
E-mail: [cs.helper01@gmail.com](mailto:cs.helper01@gmail.com)

# STEP 18

Parts required

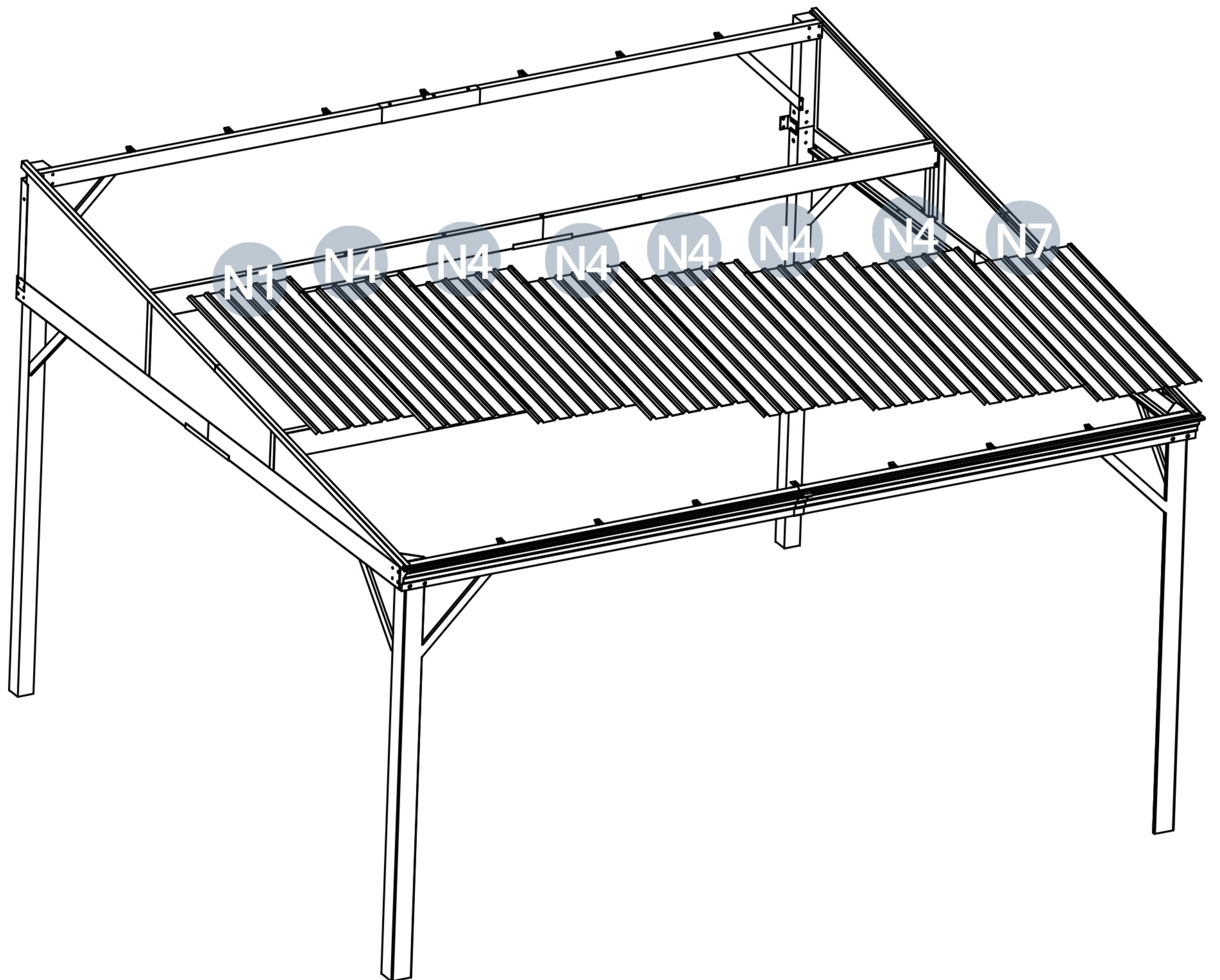
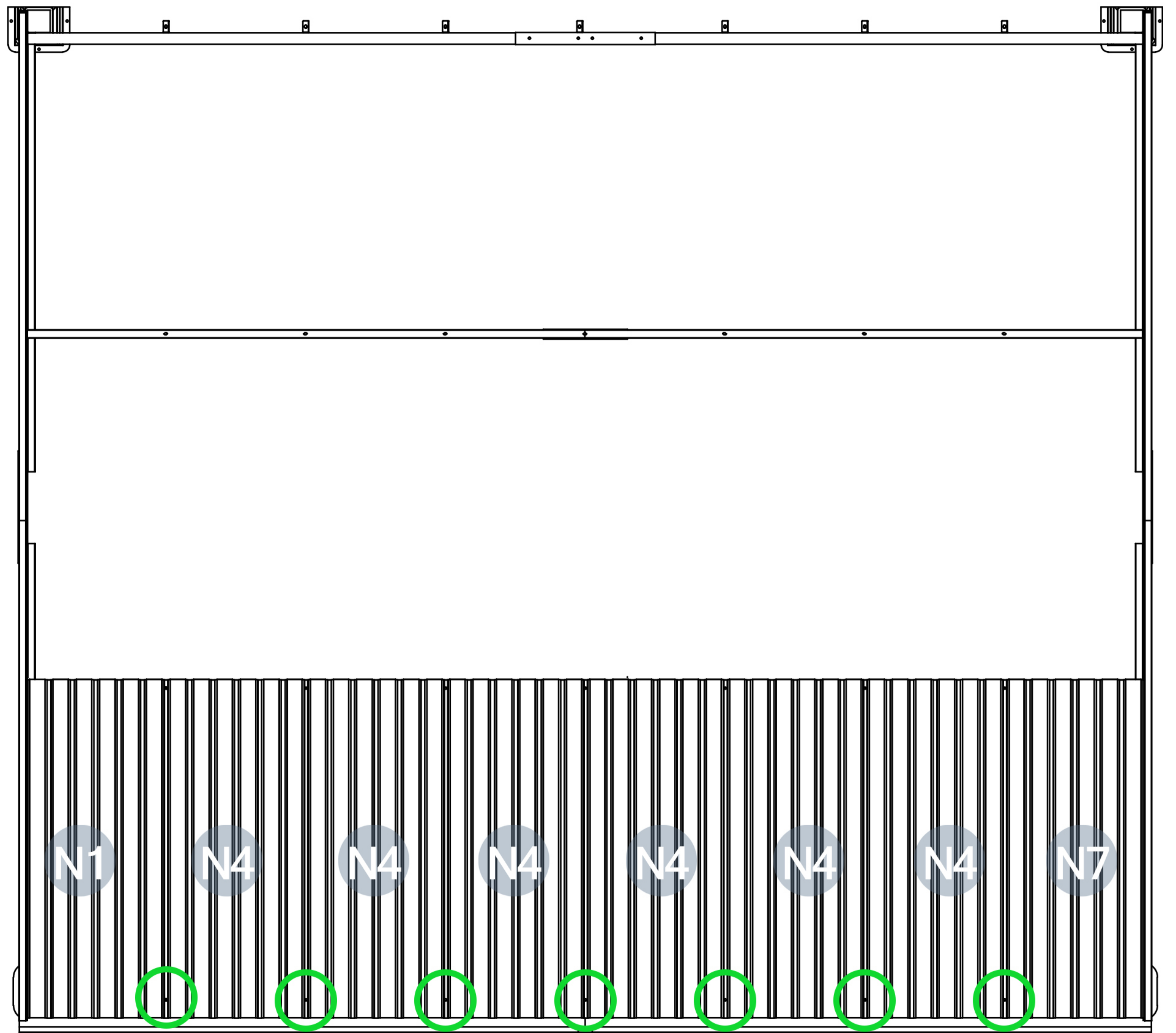
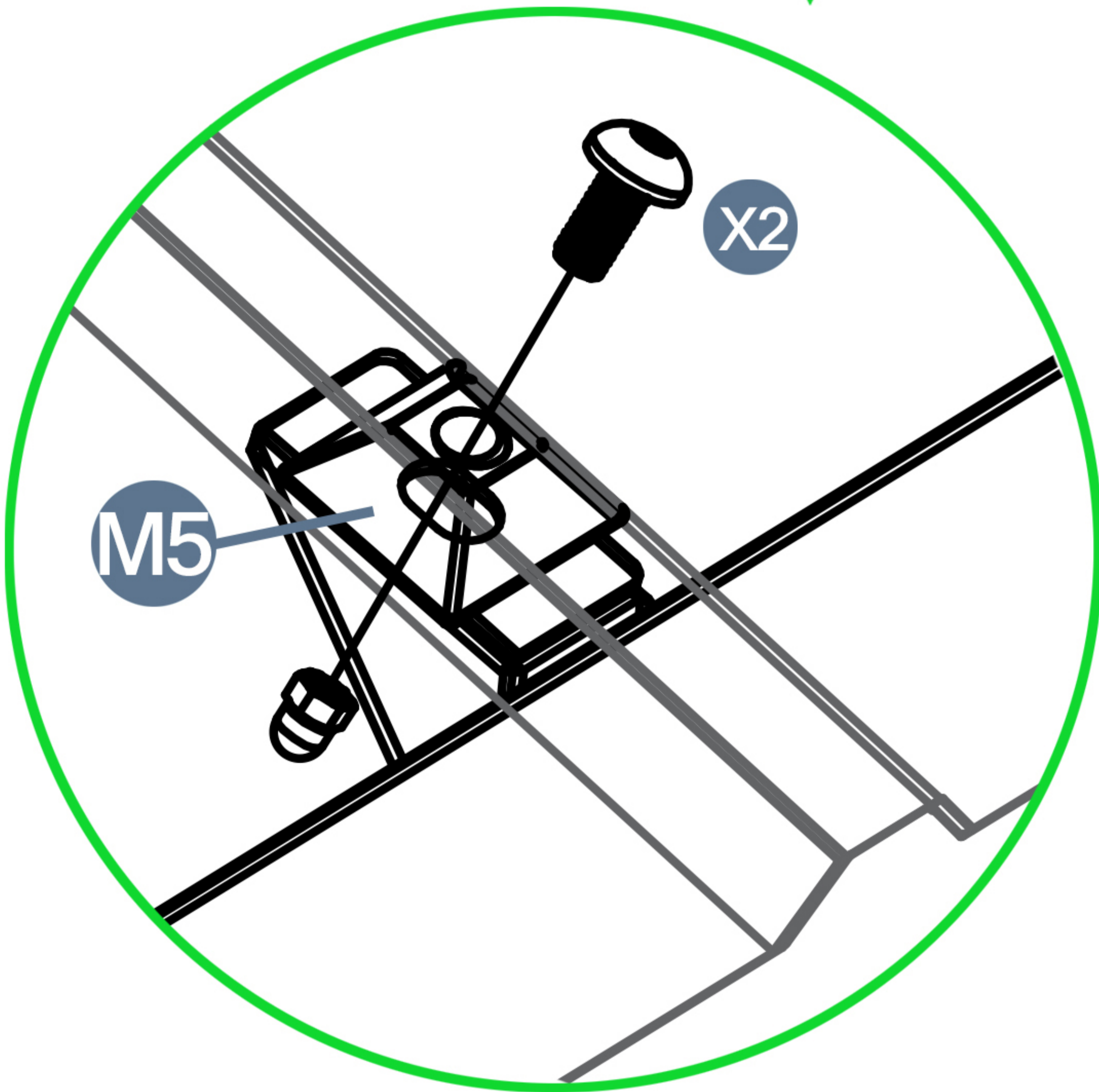
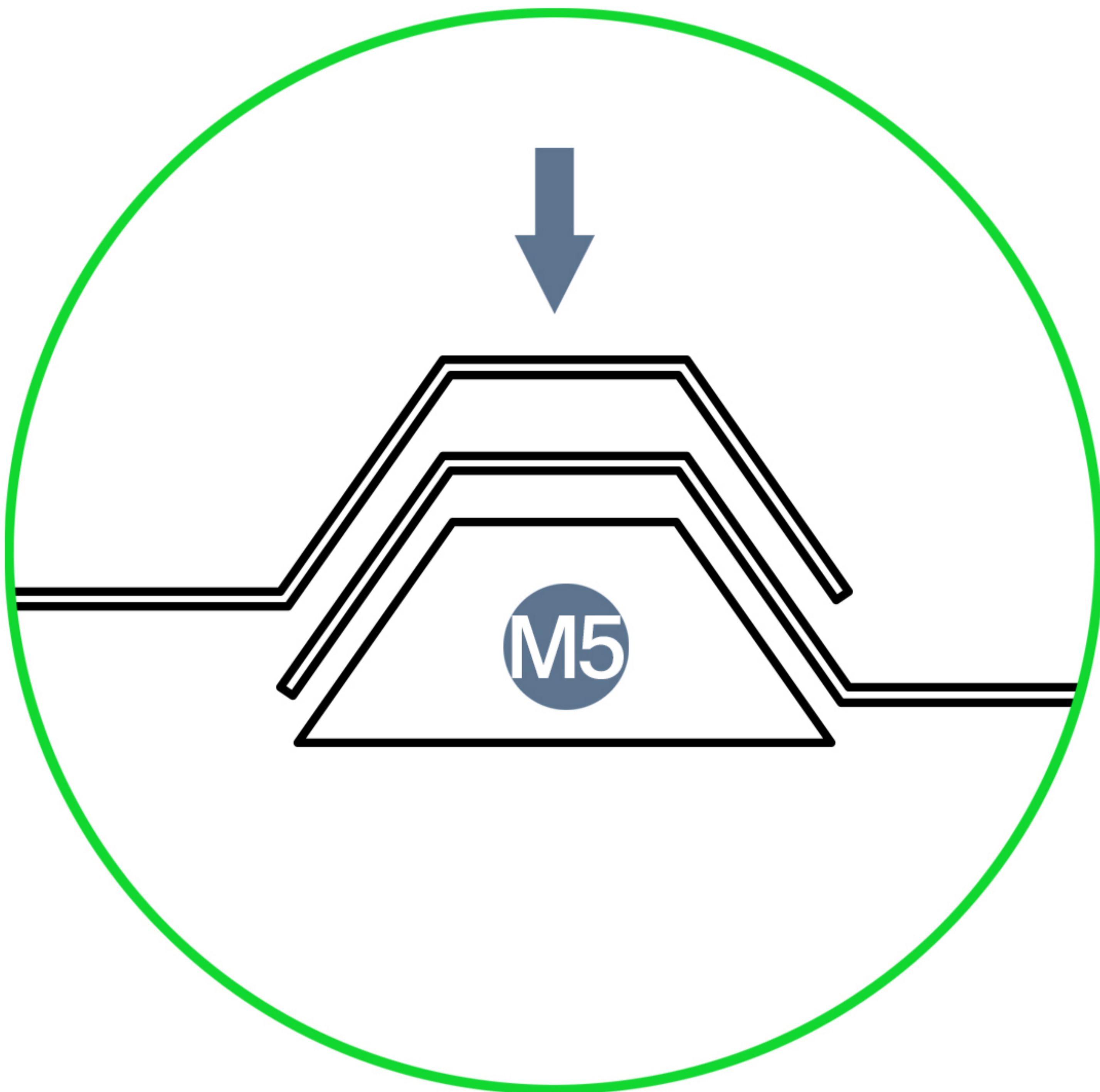


M5 7pcs



X2 7pcs

First, install the part M5. Then, install the N panels in sequence.

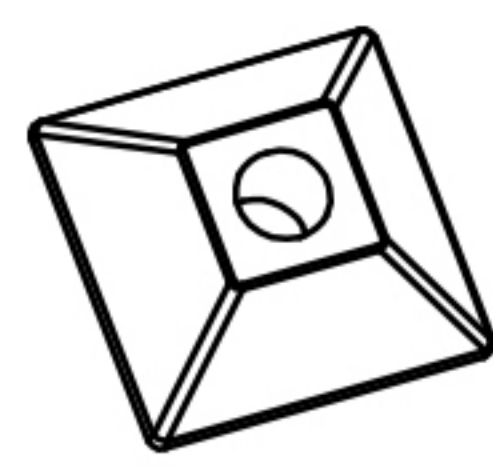


! Keep all parts! For missing parts or installation issues, contact us.

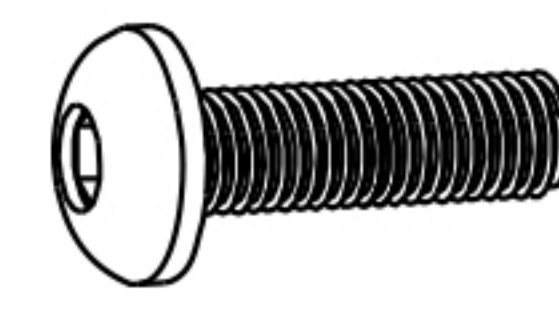
➔ ✉ E-mail: [cs.helper01@gmail.com](mailto:cs.helper01@gmail.com)

# STEP 19

Parts required

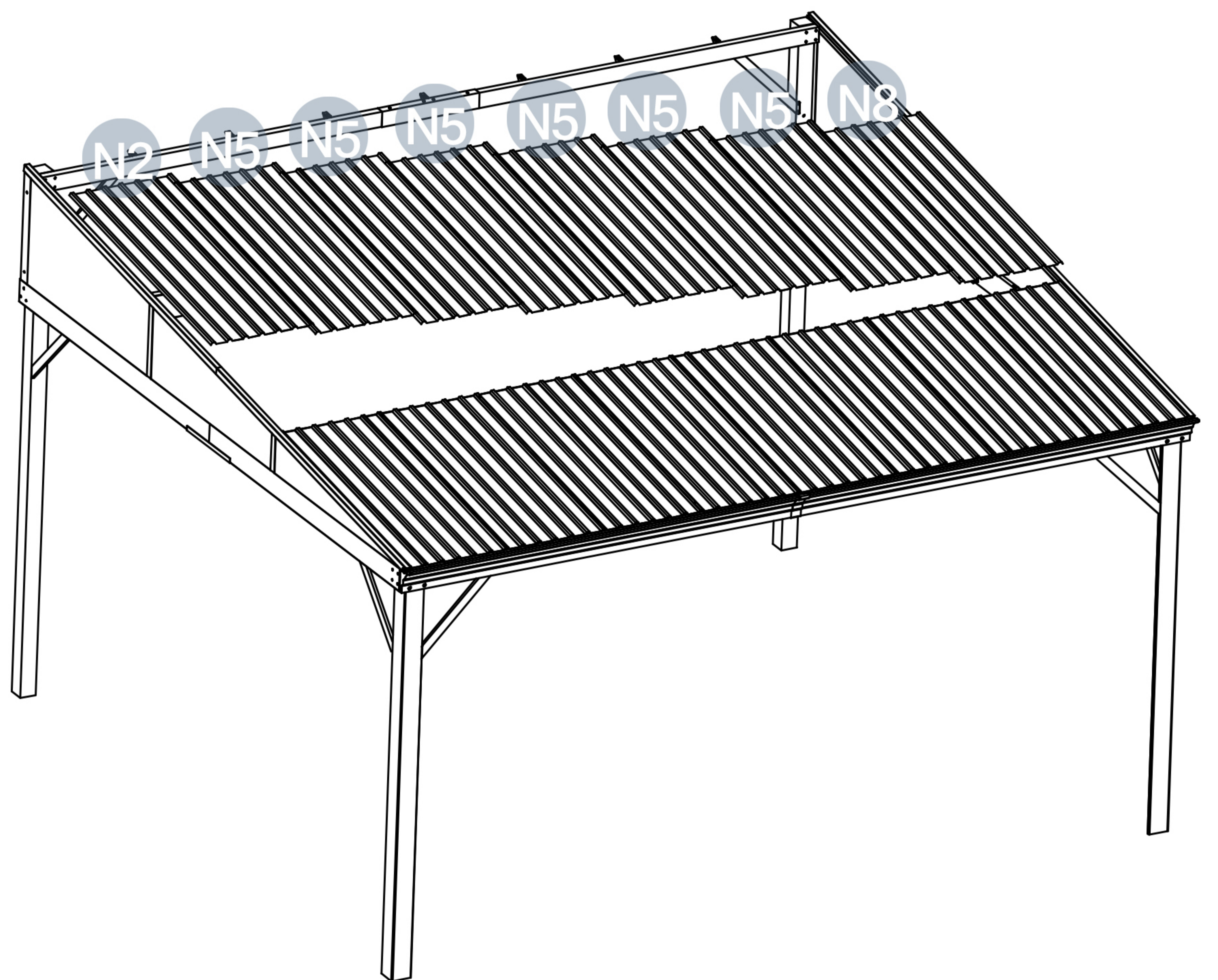
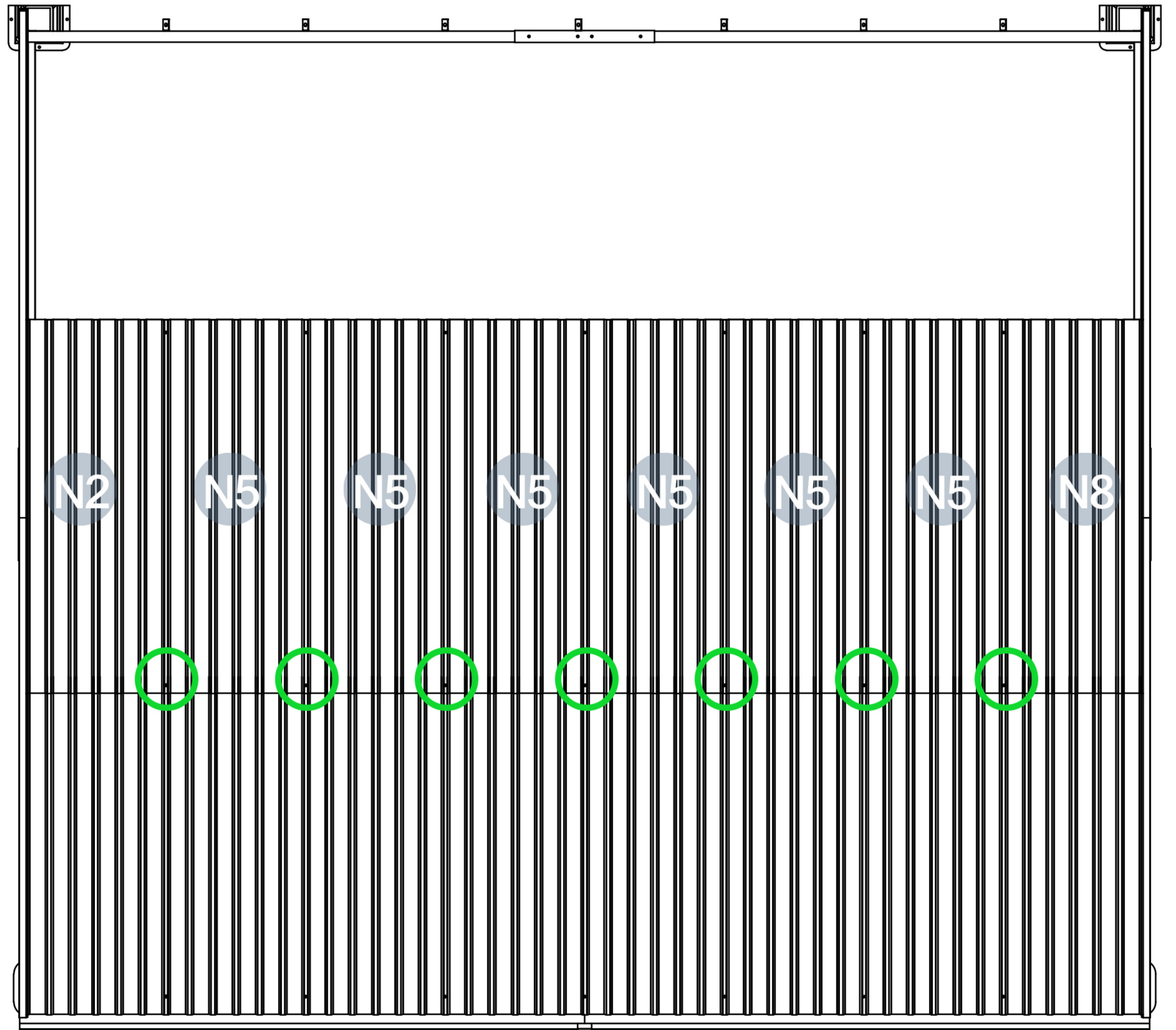
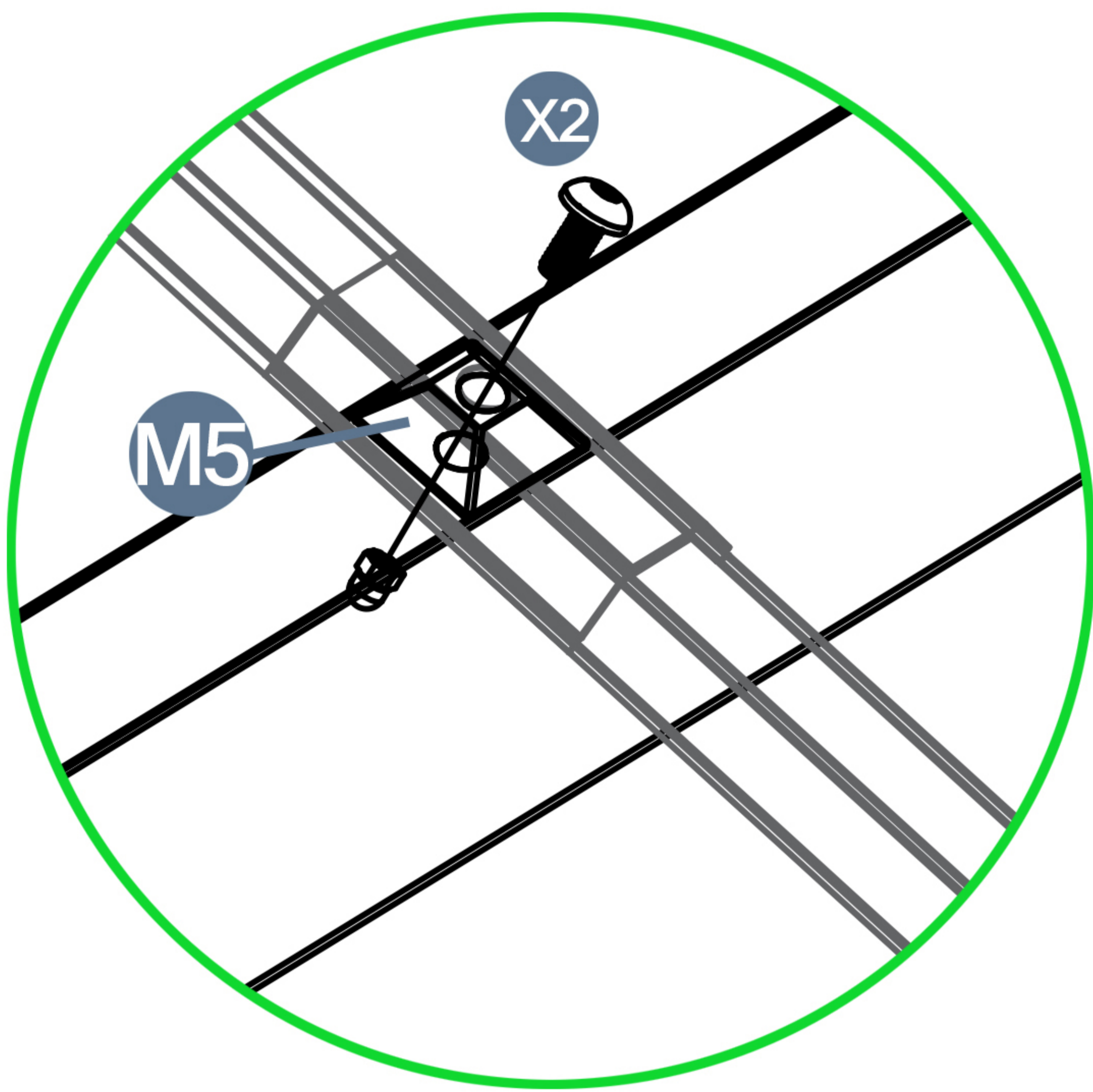


M5 7pcs



X2 7pcs

First, install the part M5. Then, install the N panels in sequence.



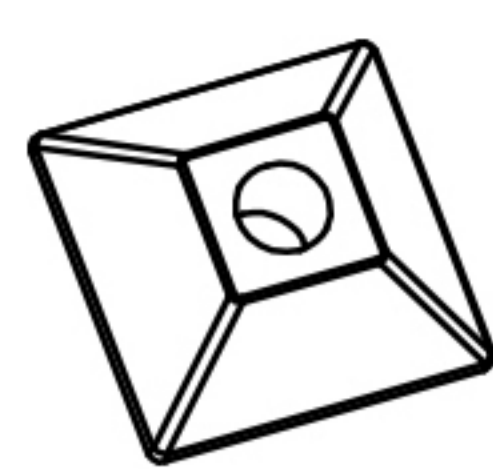
Keep all parts! For missing parts or installation issues, contact us.



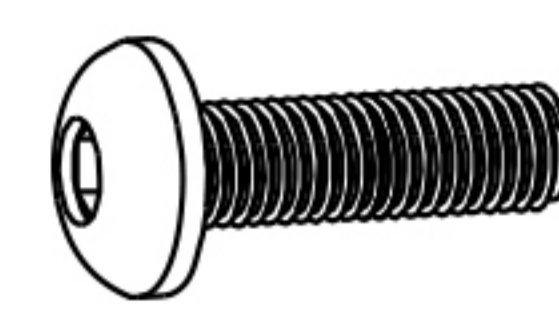
E-mail: [cs.helper01@gmail.com](mailto:cs.helper01@gmail.com)

# STEP 20

Parts required

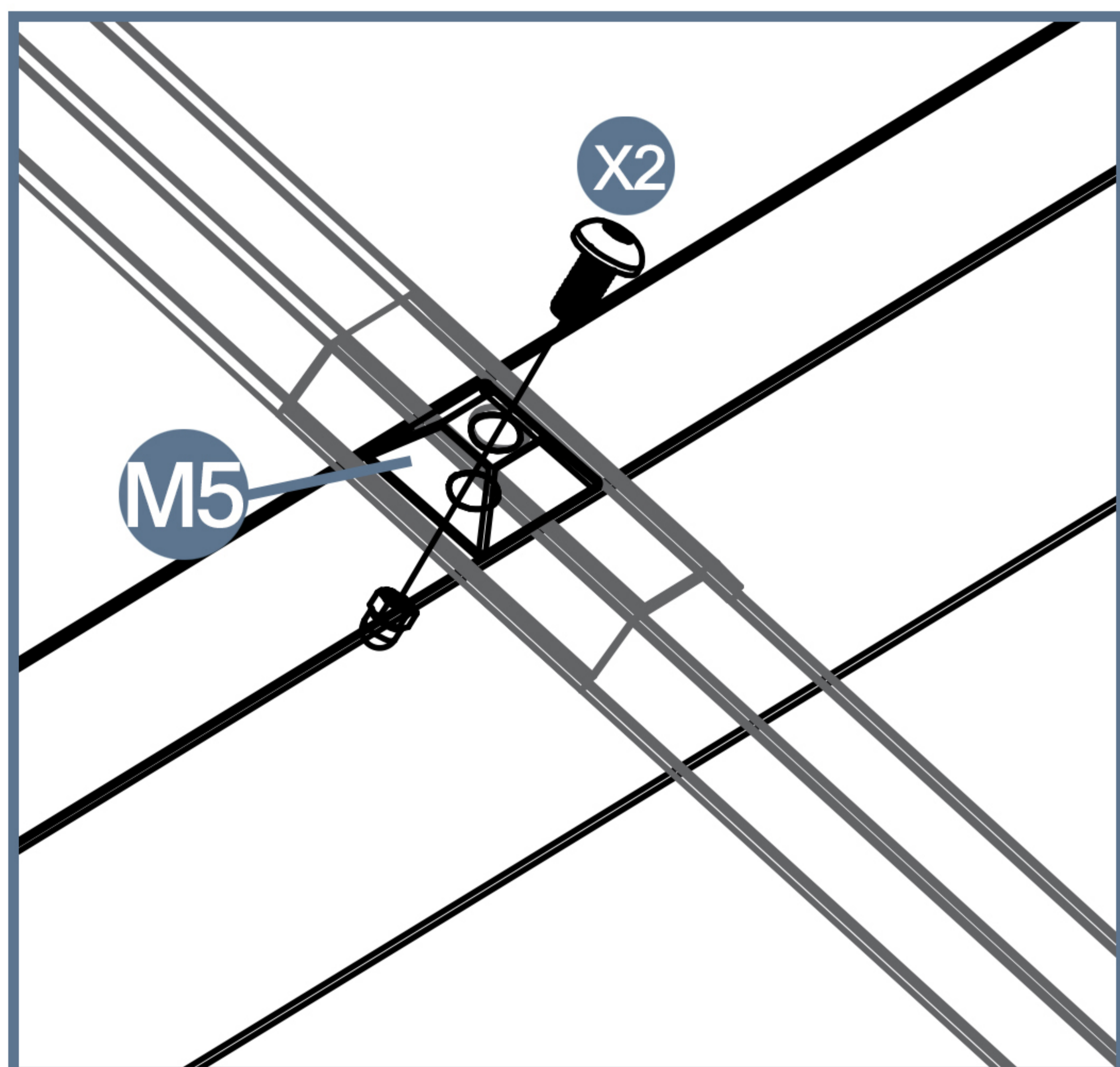
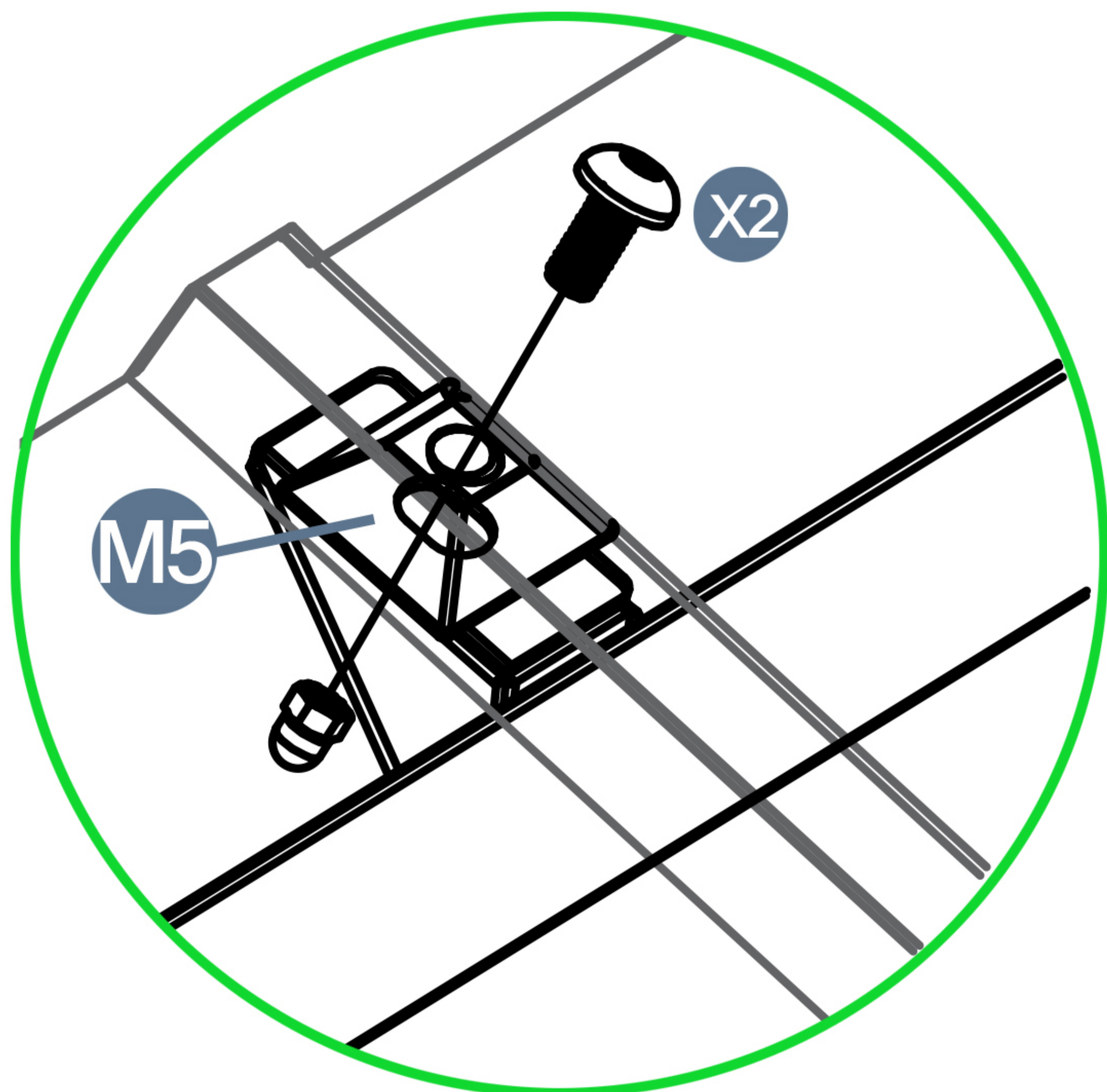
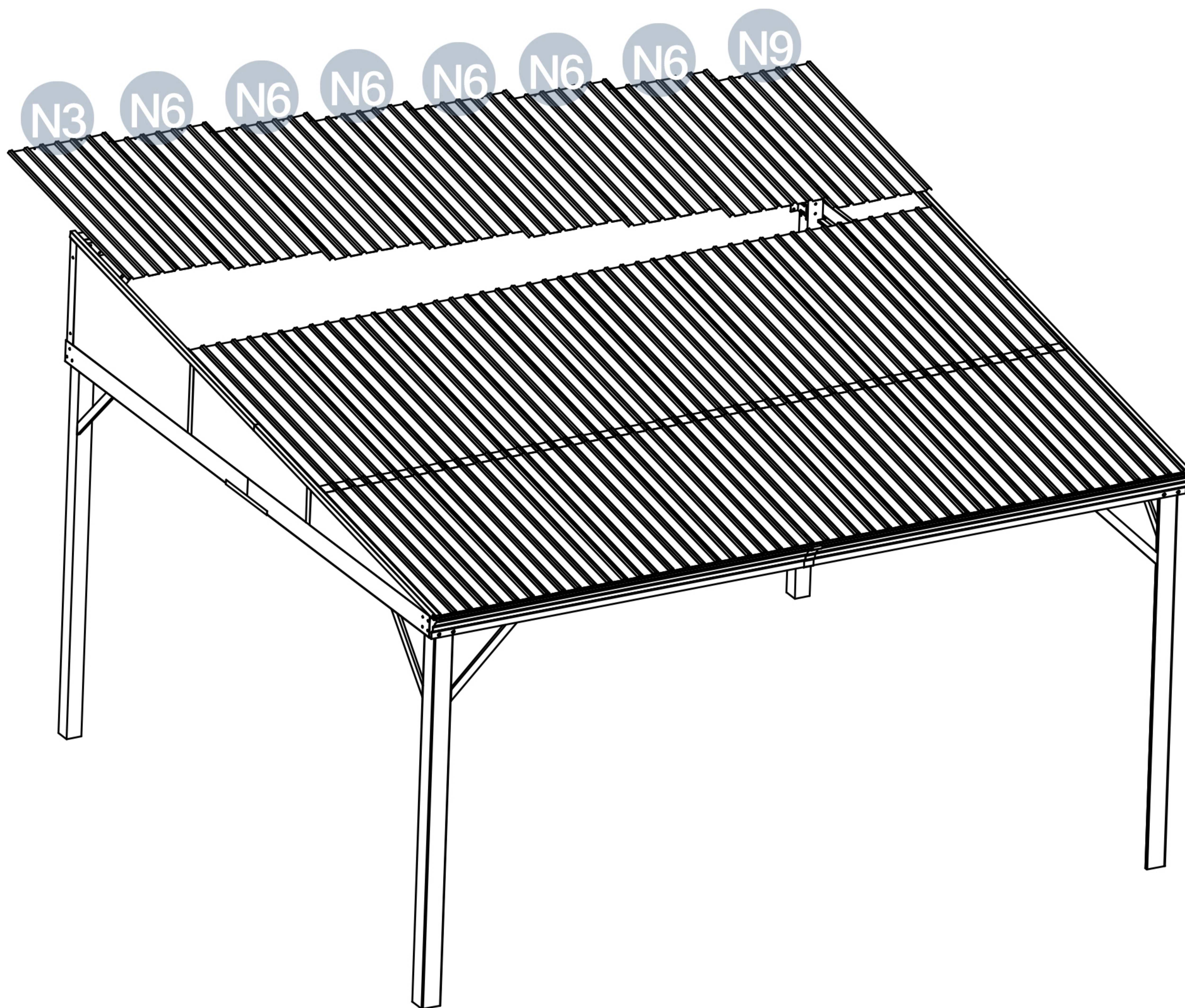
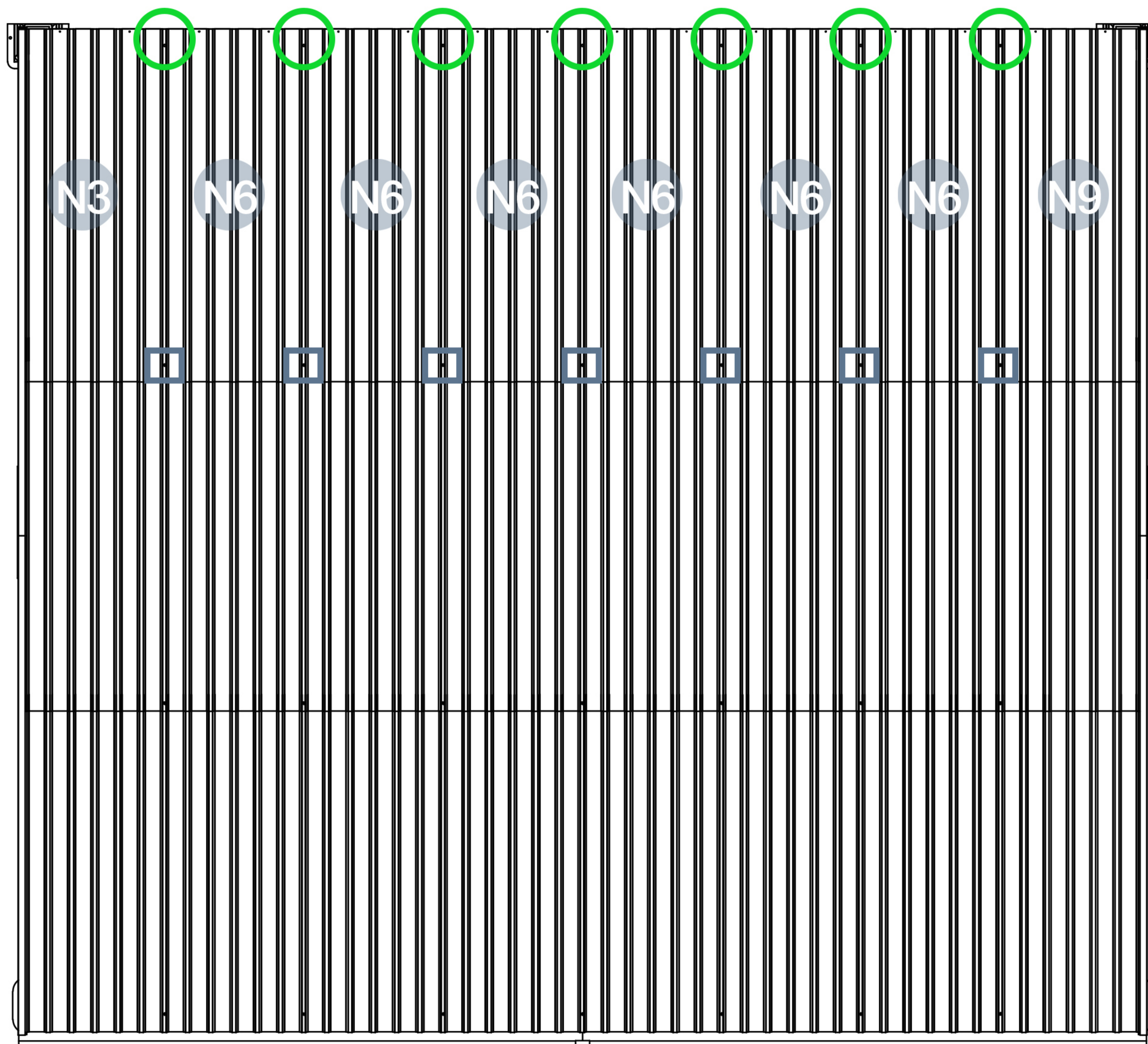


M5 14pcs



X2 14pcs

First, install the part M5. Then, install the N panels in sequence.

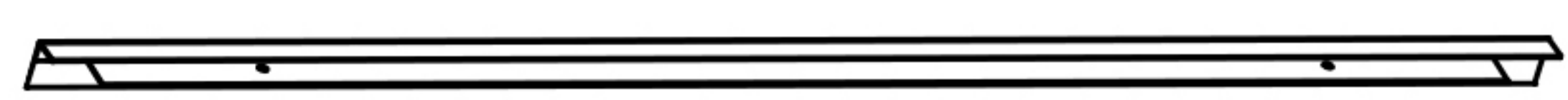


! Keep all parts! For missing parts or installation issues, contact us.

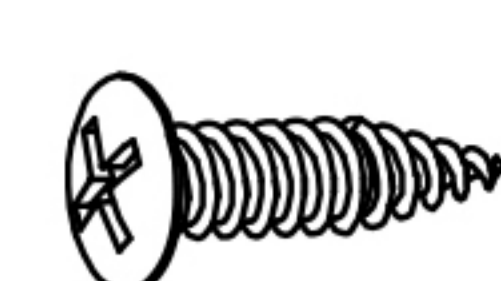
➔ ✉ E-mail: [cs.helper01@gmail.com](mailto:cs.helper01@gmail.com)

# STEP 21

Parts required



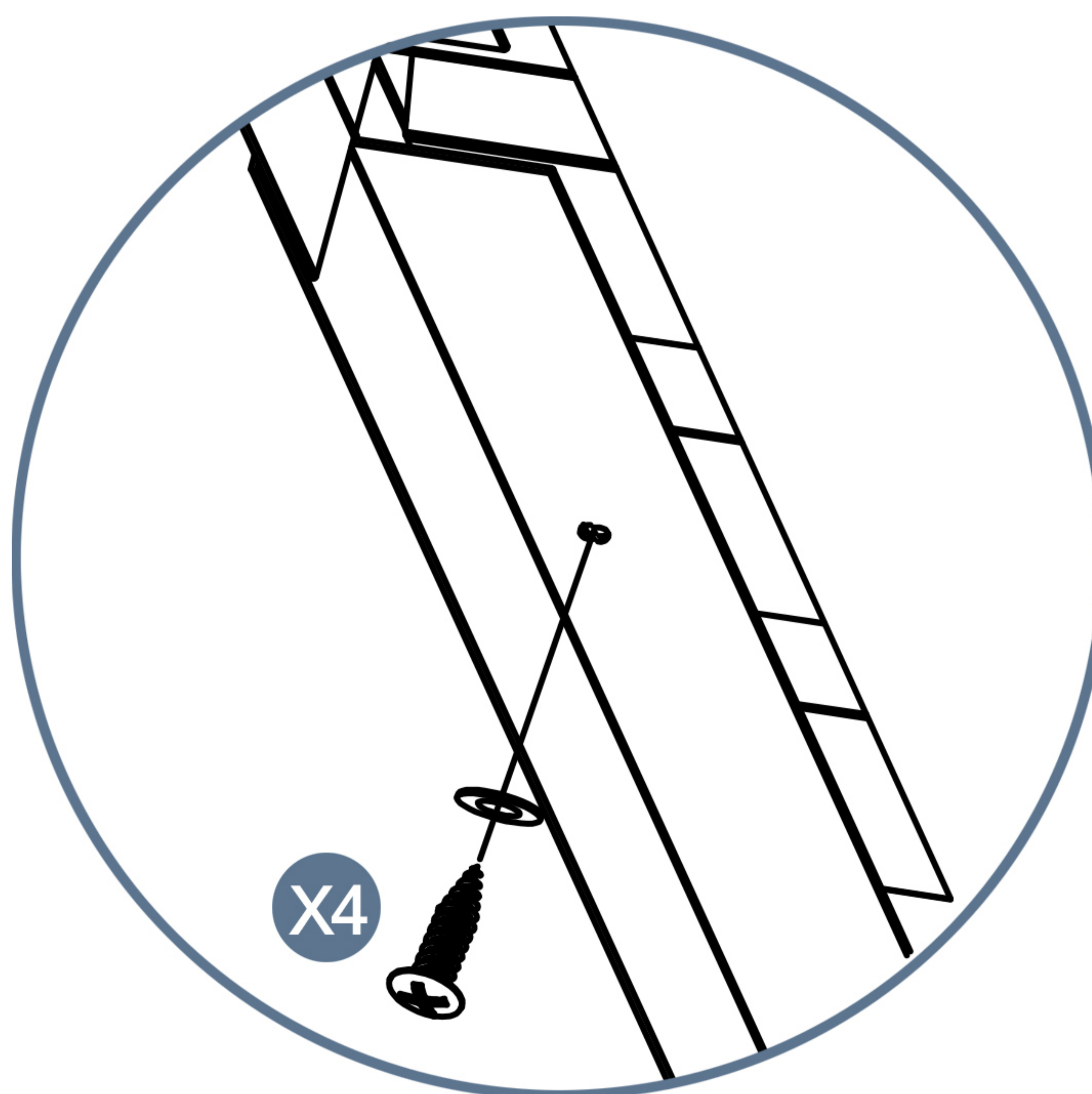
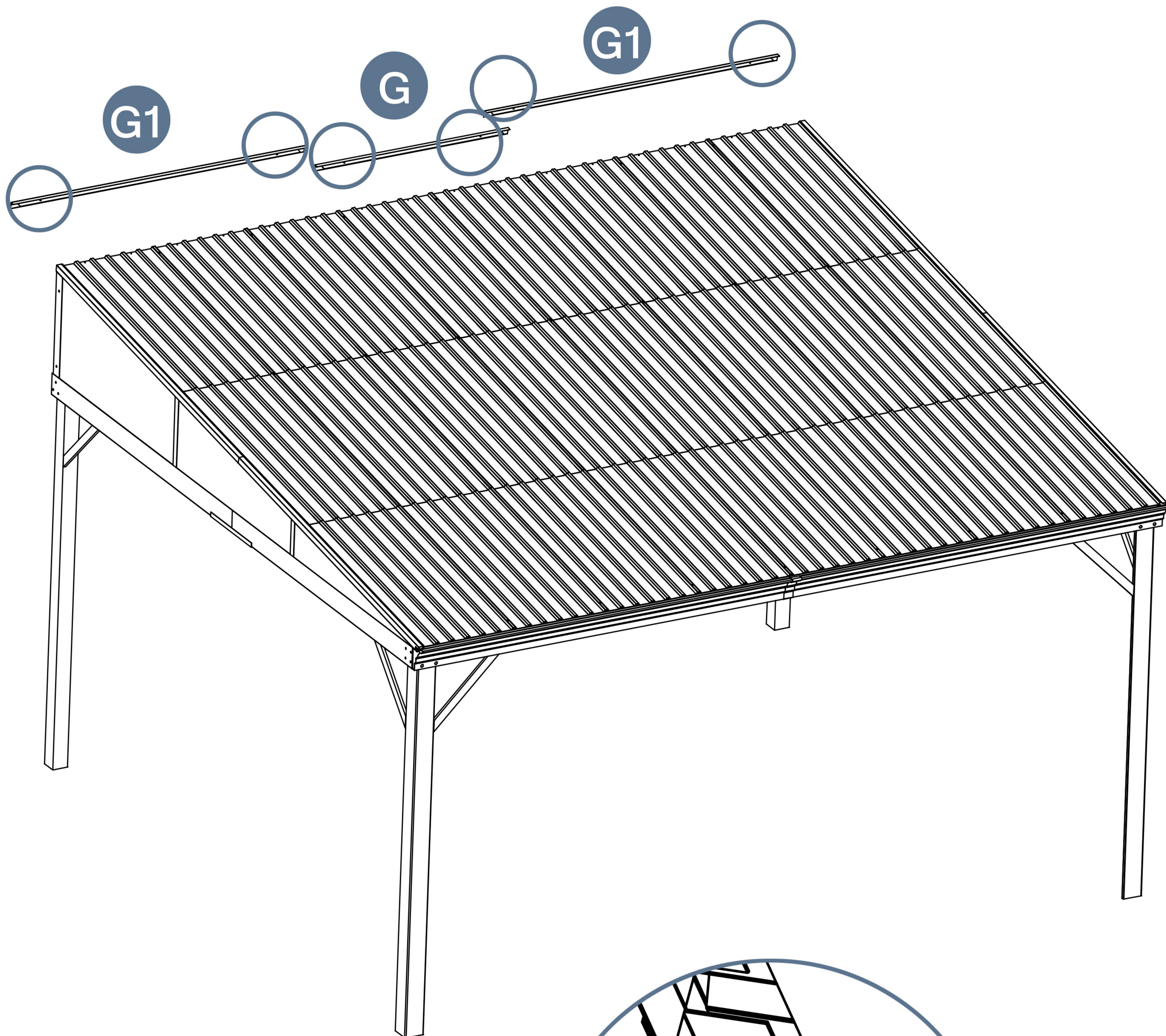
G 1pcs



X4 6pcs



G1 2pcs



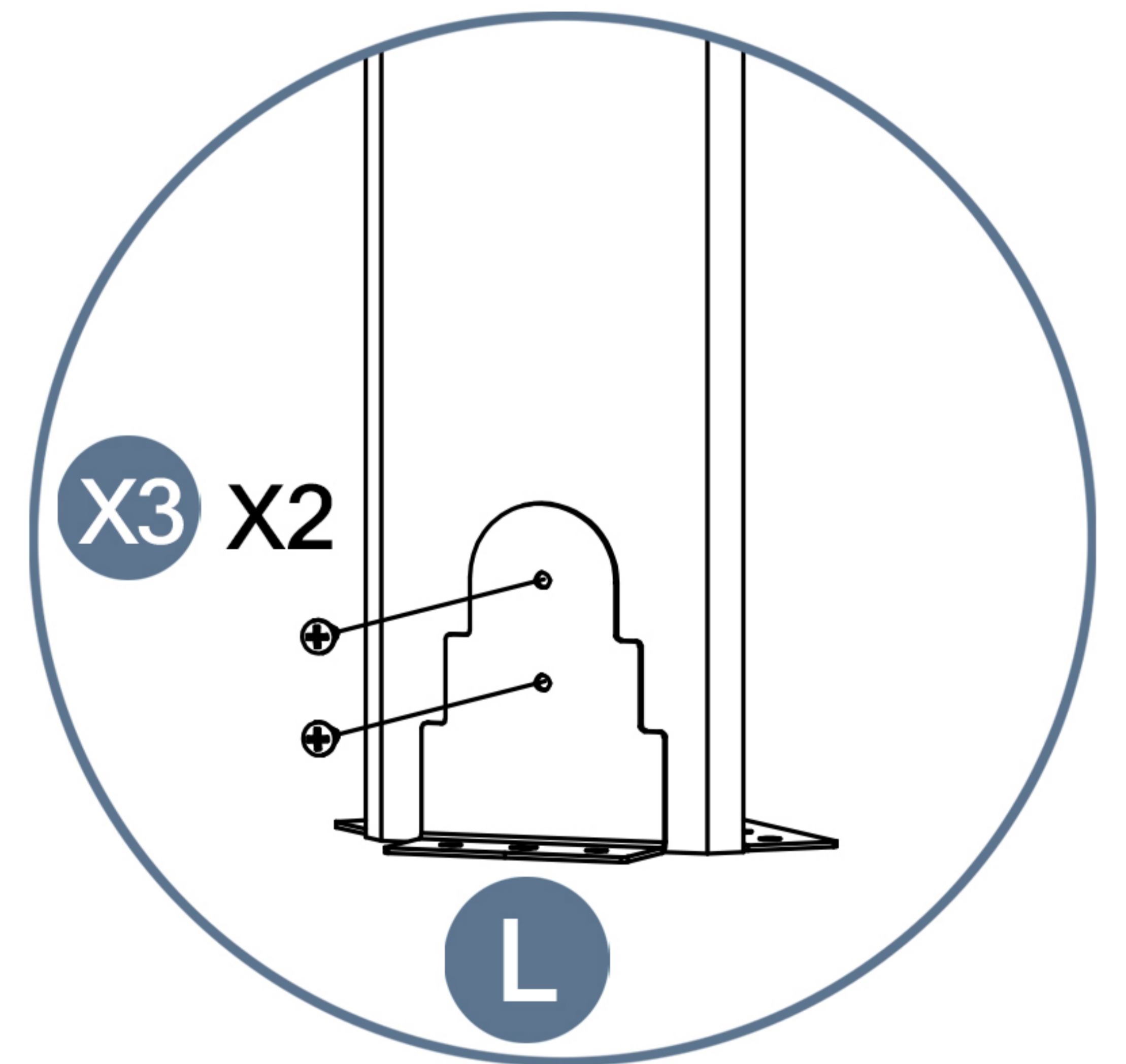
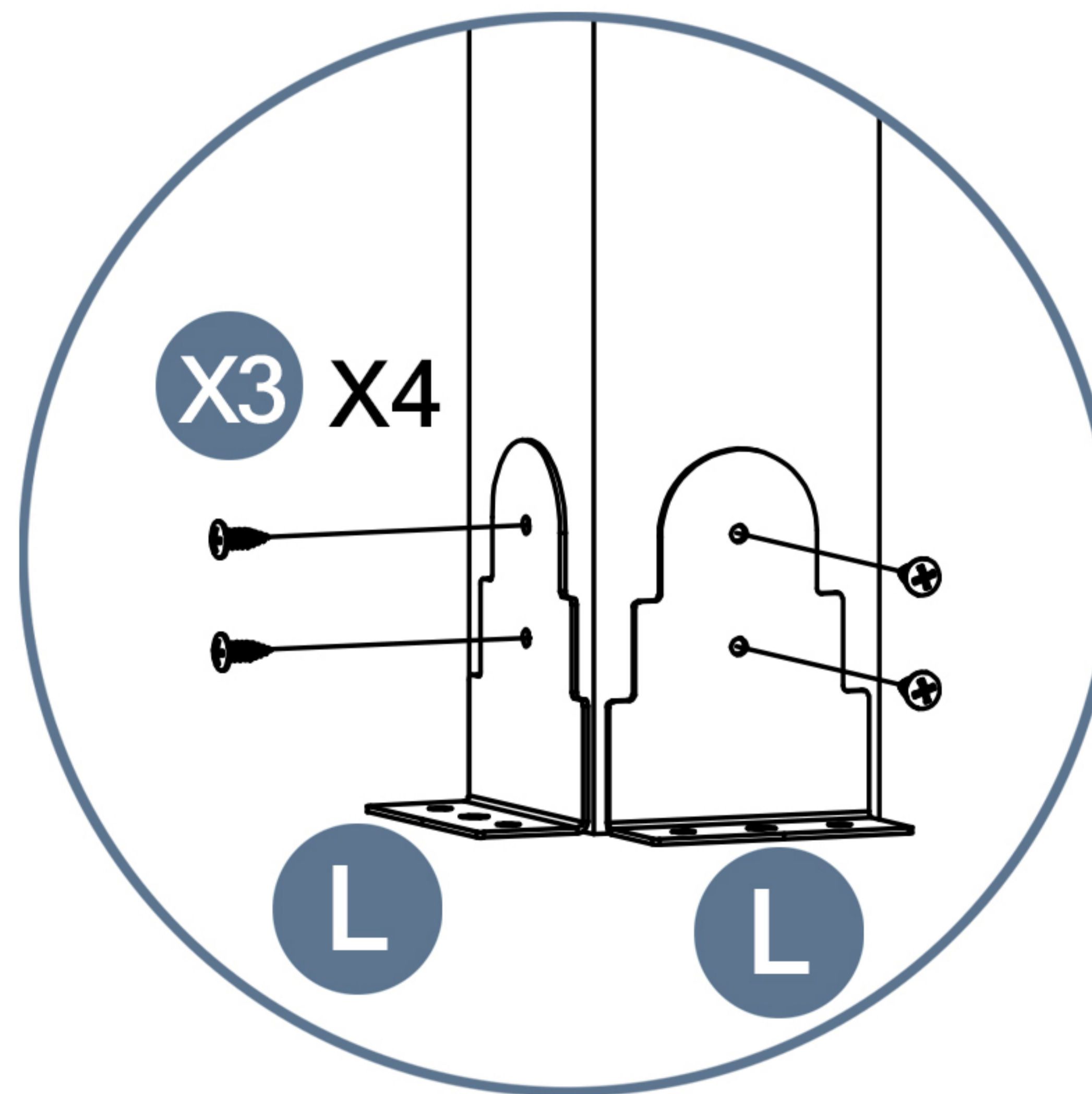
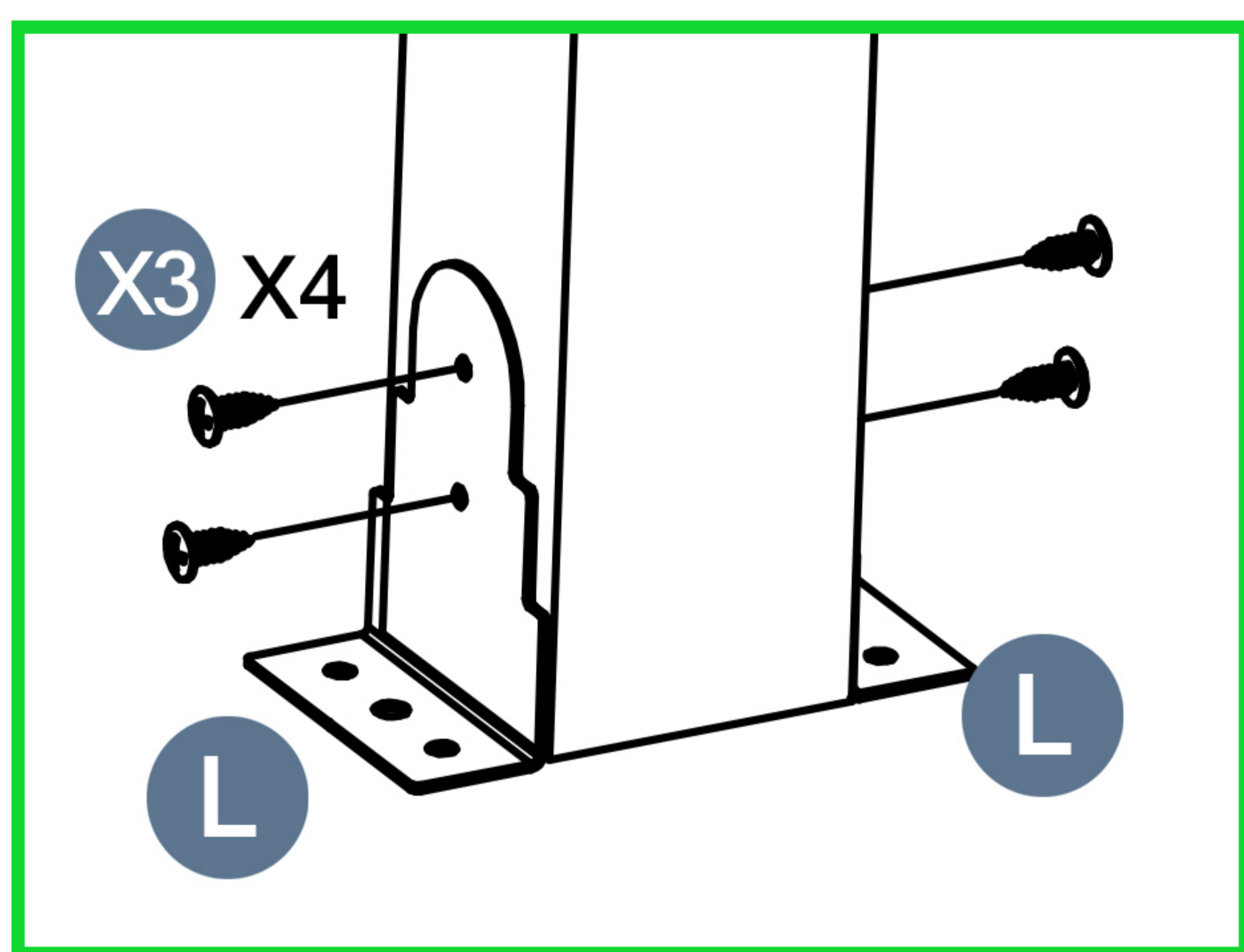
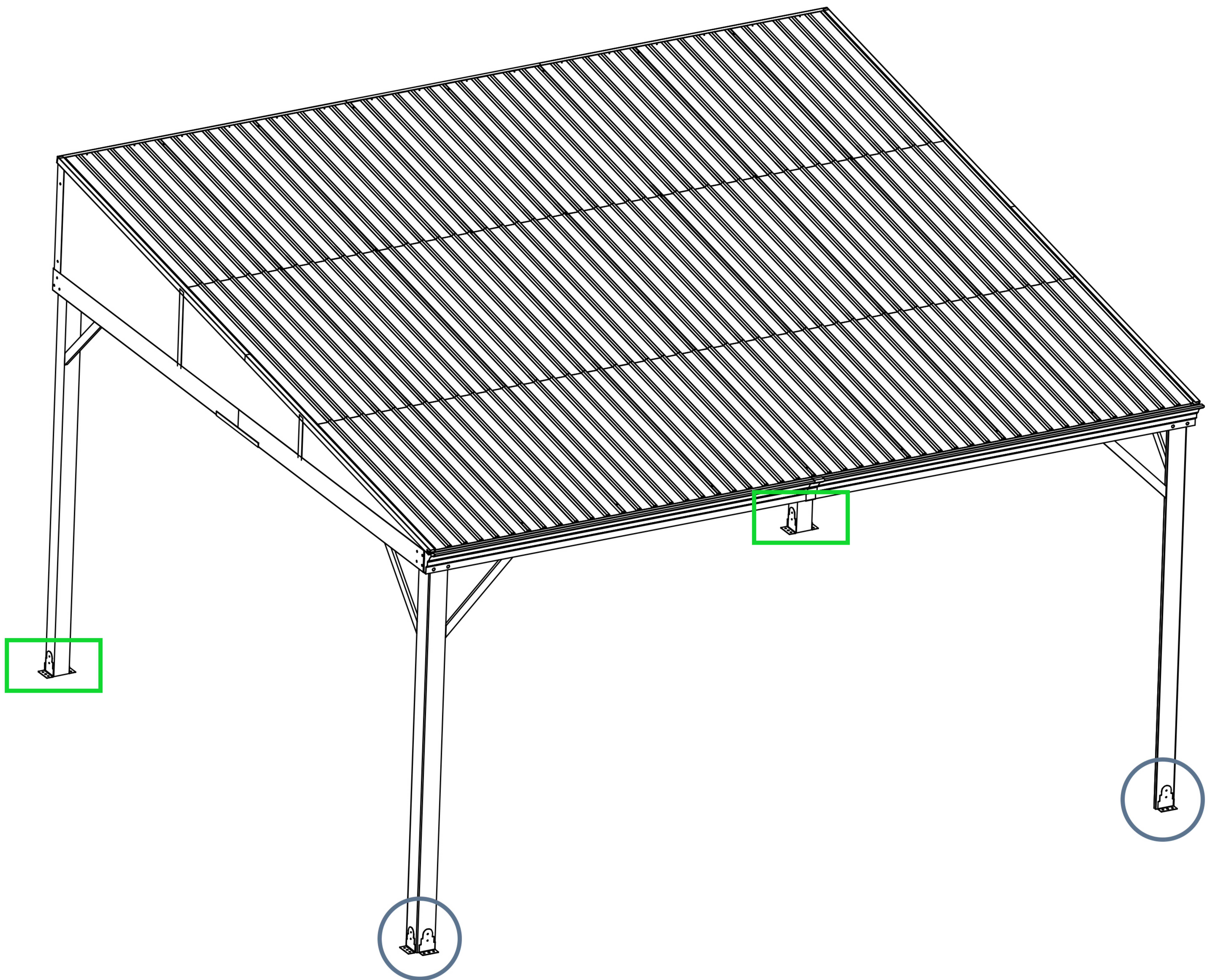
Keep all parts! For missing parts or installation issues, contact us.



E-mail: [cs.helper01@gmail.com](mailto:cs.helper01@gmail.com)

# STEP 22

Parts required



! Keep all parts! For missing parts or installation issues, contact us.

➔ ✉ E-mail: [cs.helper01@gmail.com](mailto:cs.helper01@gmail.com)

# STEP 23

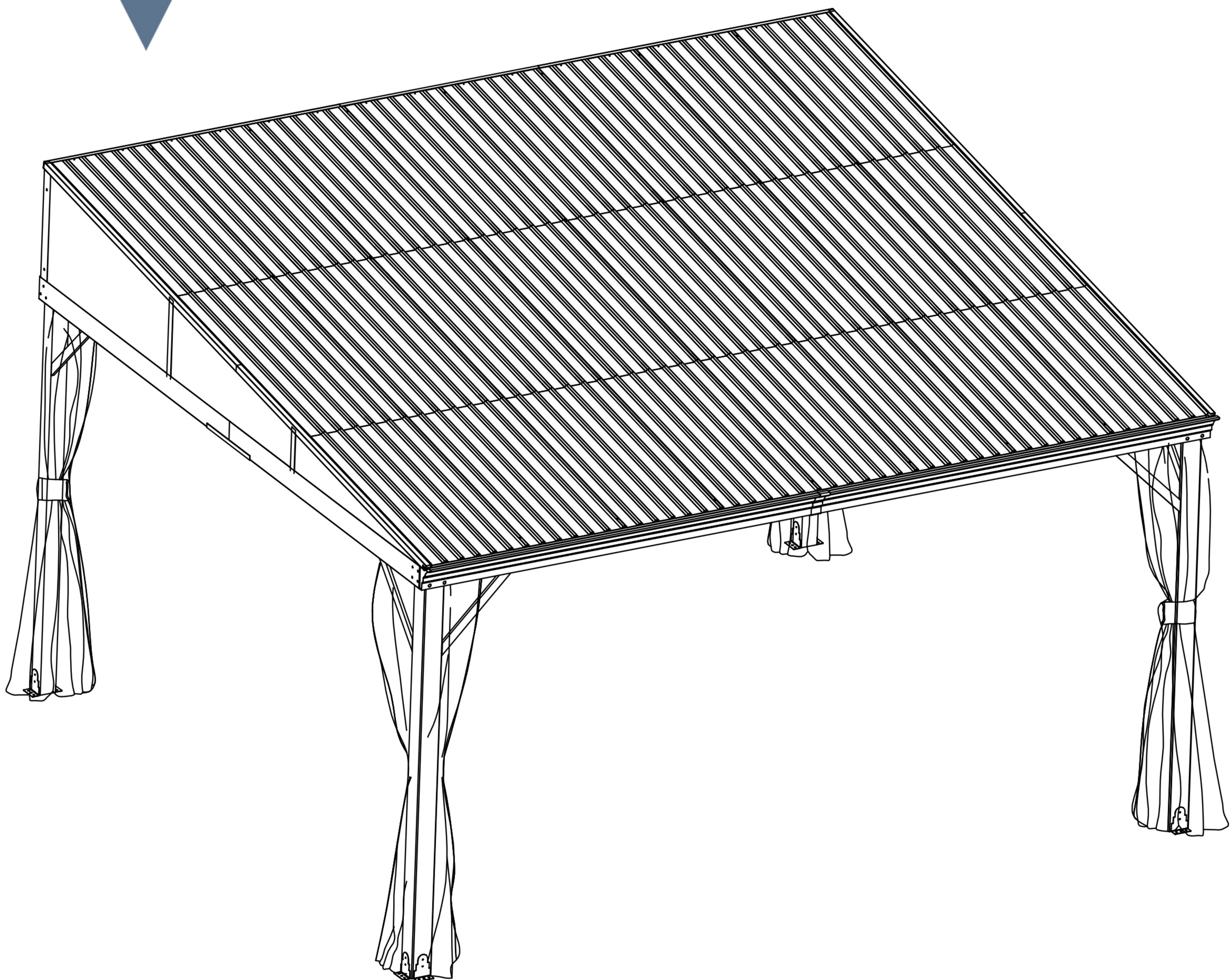
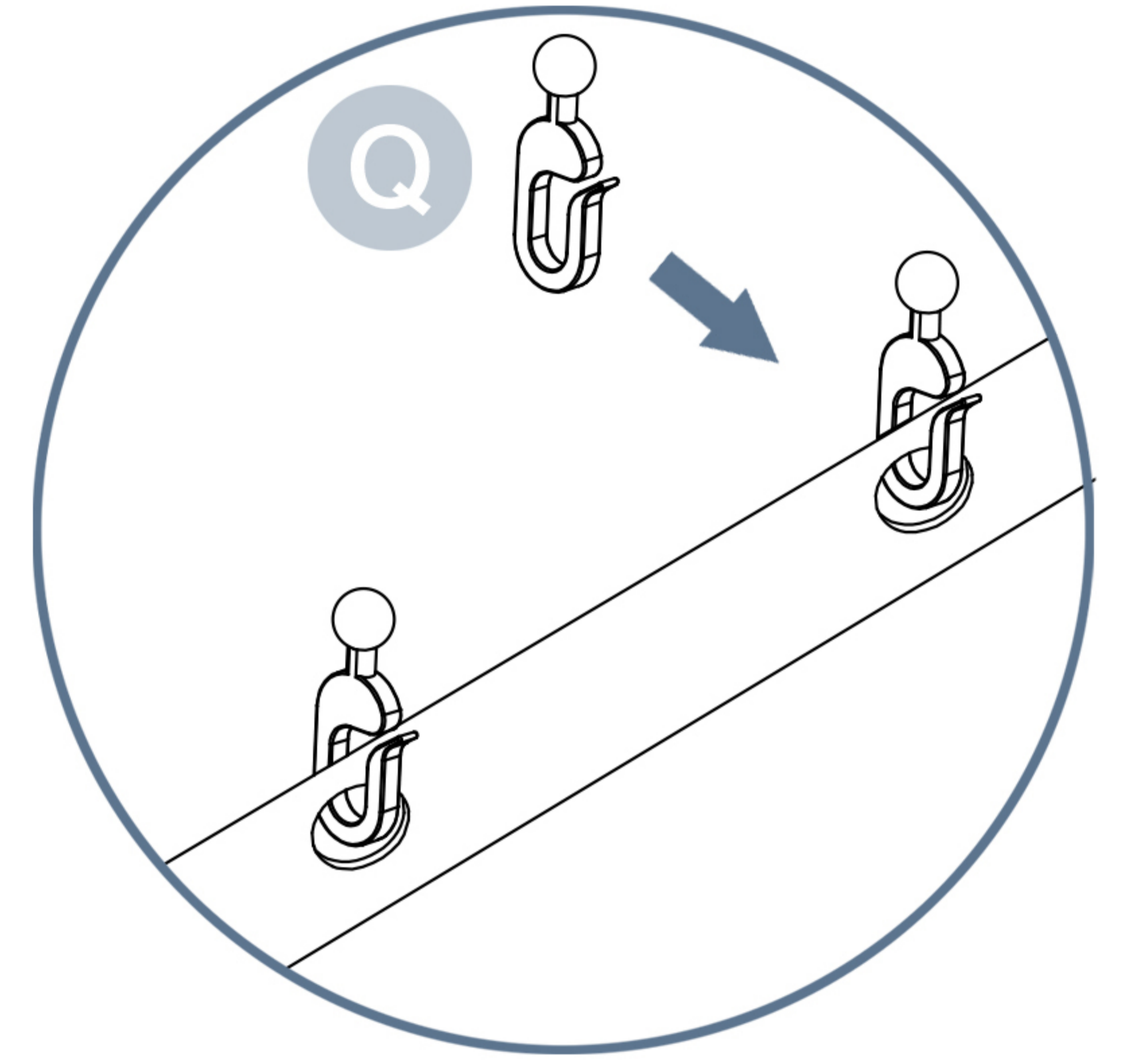
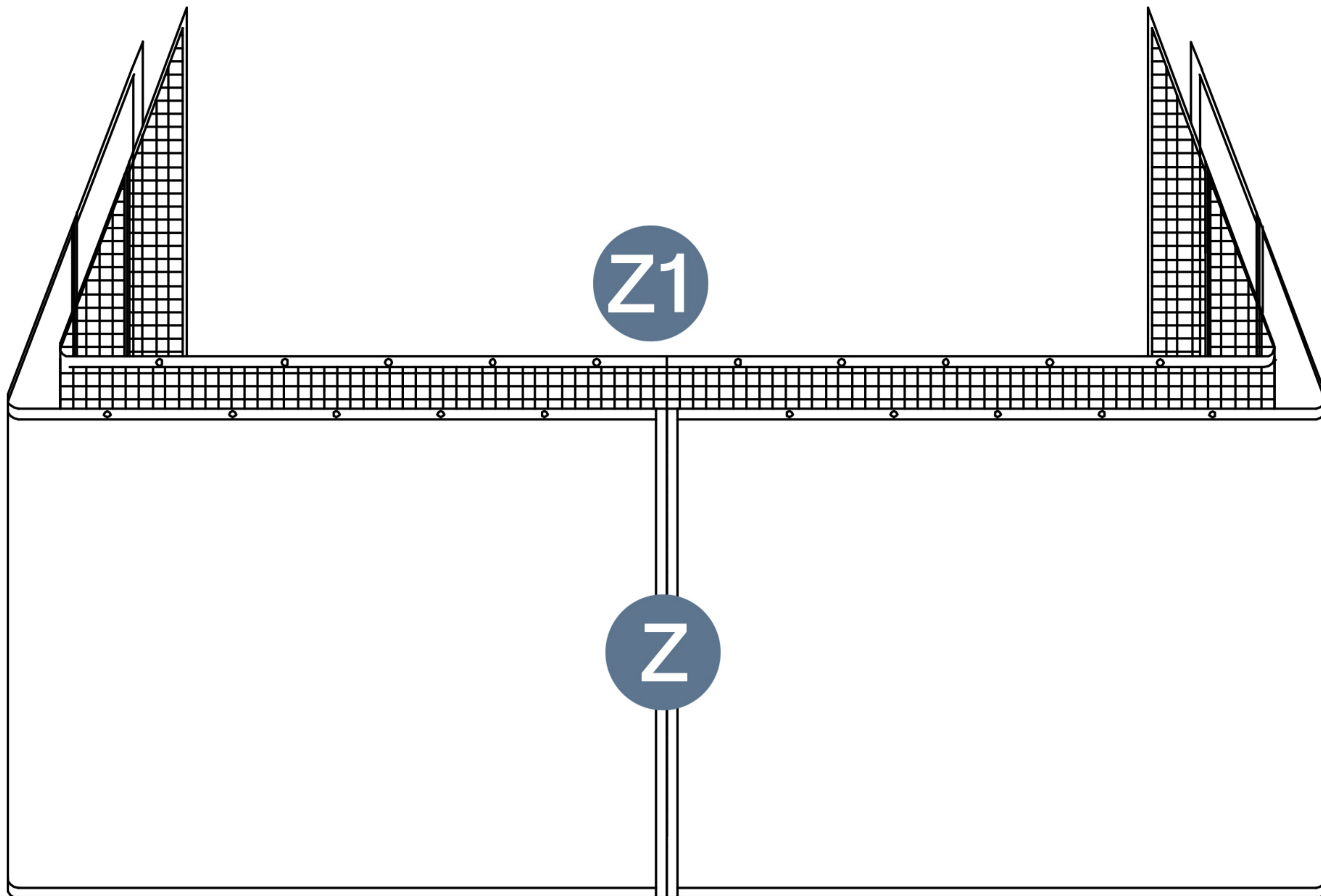
Parts required



Z 1pcs



Z1 1pcs



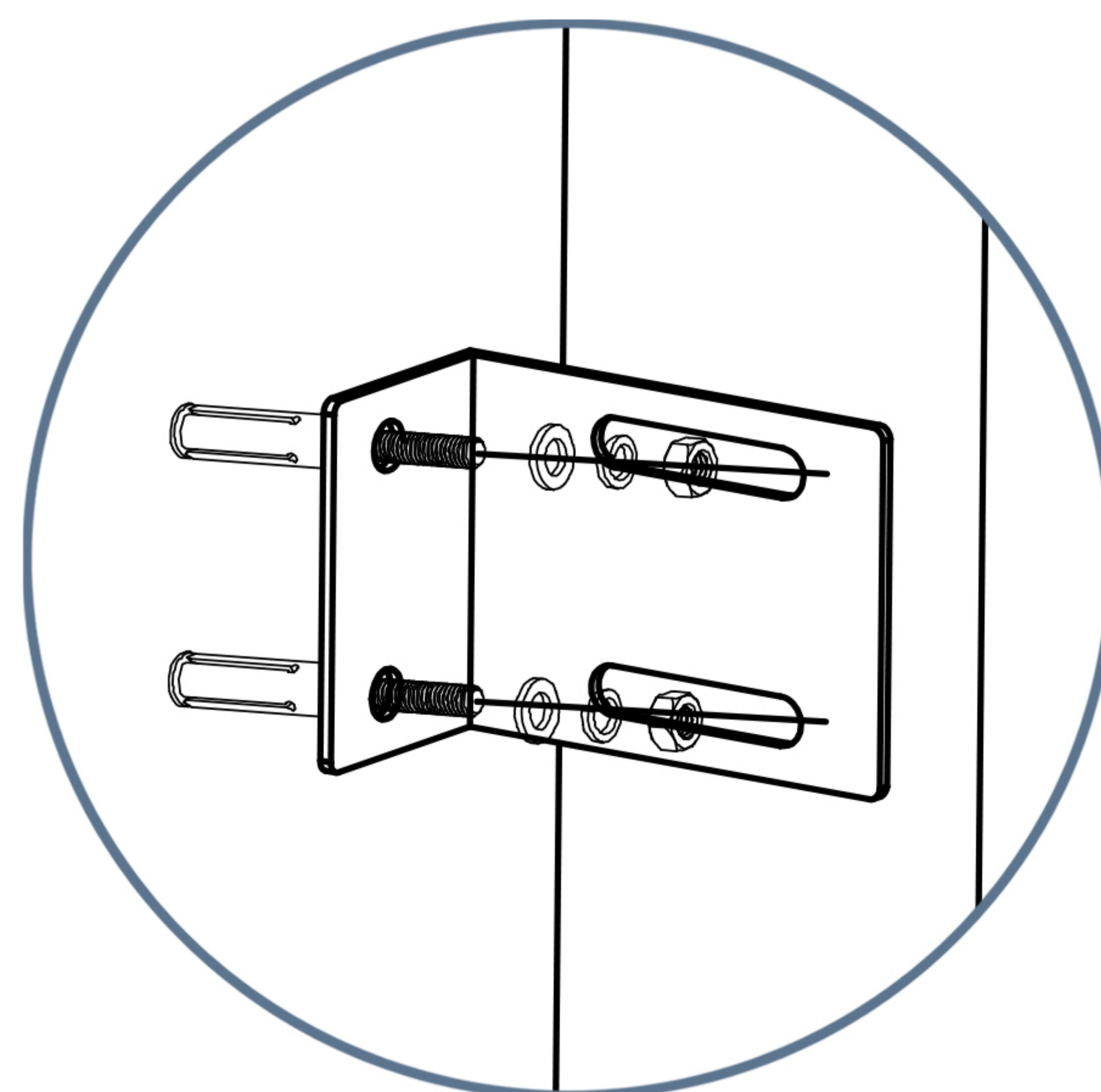
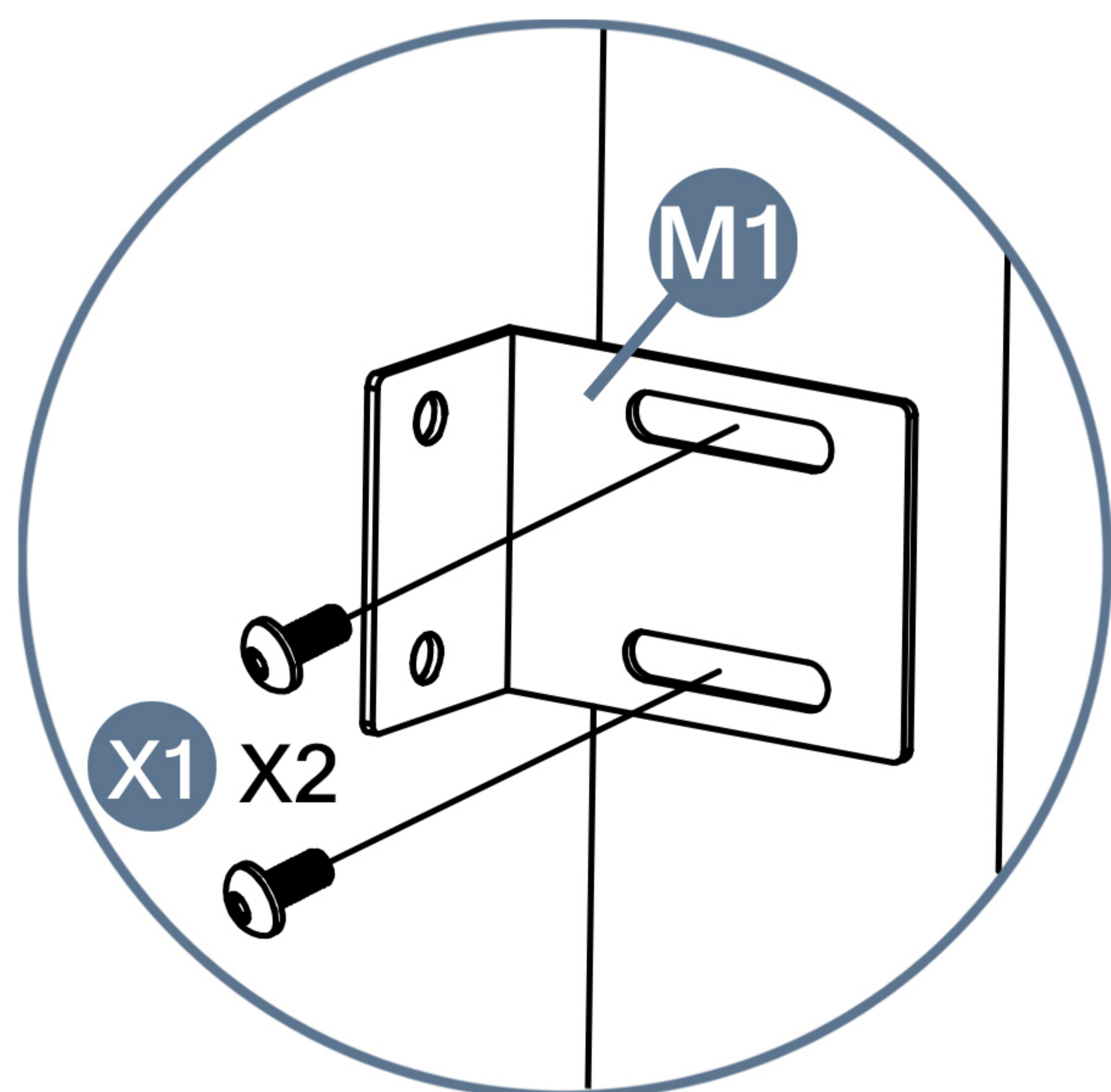
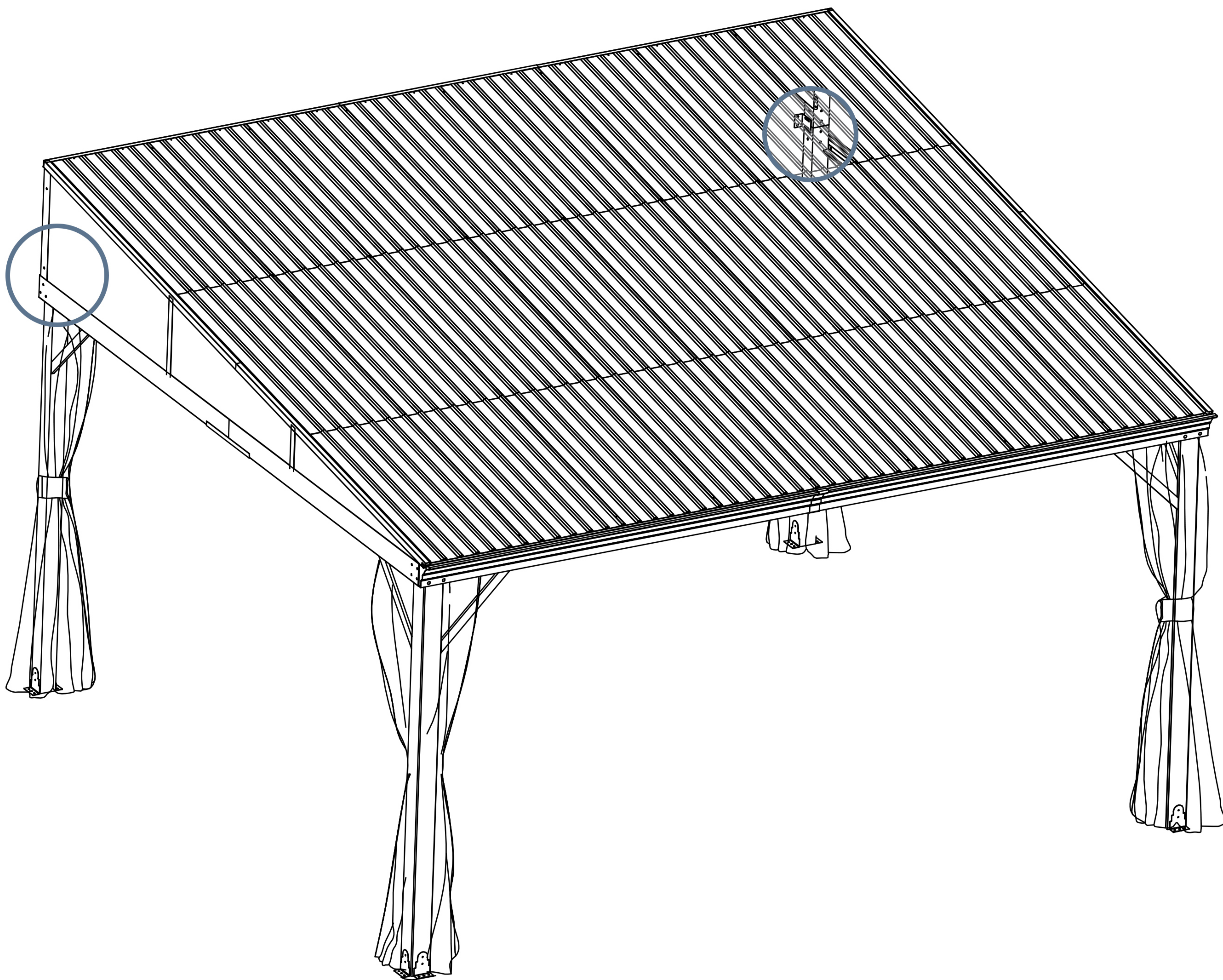
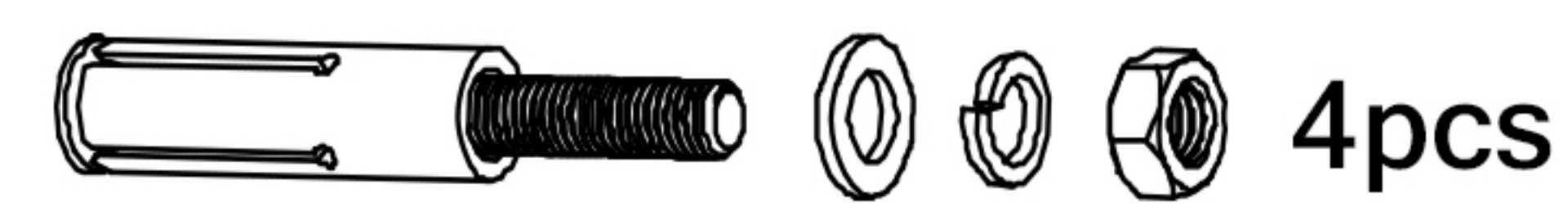
Keep all parts! For missing parts or installation issues, contact us.



E-mail: [cs.helper01@gmail.com](mailto:cs.helper01@gmail.com)

# STEP 24

Parts required

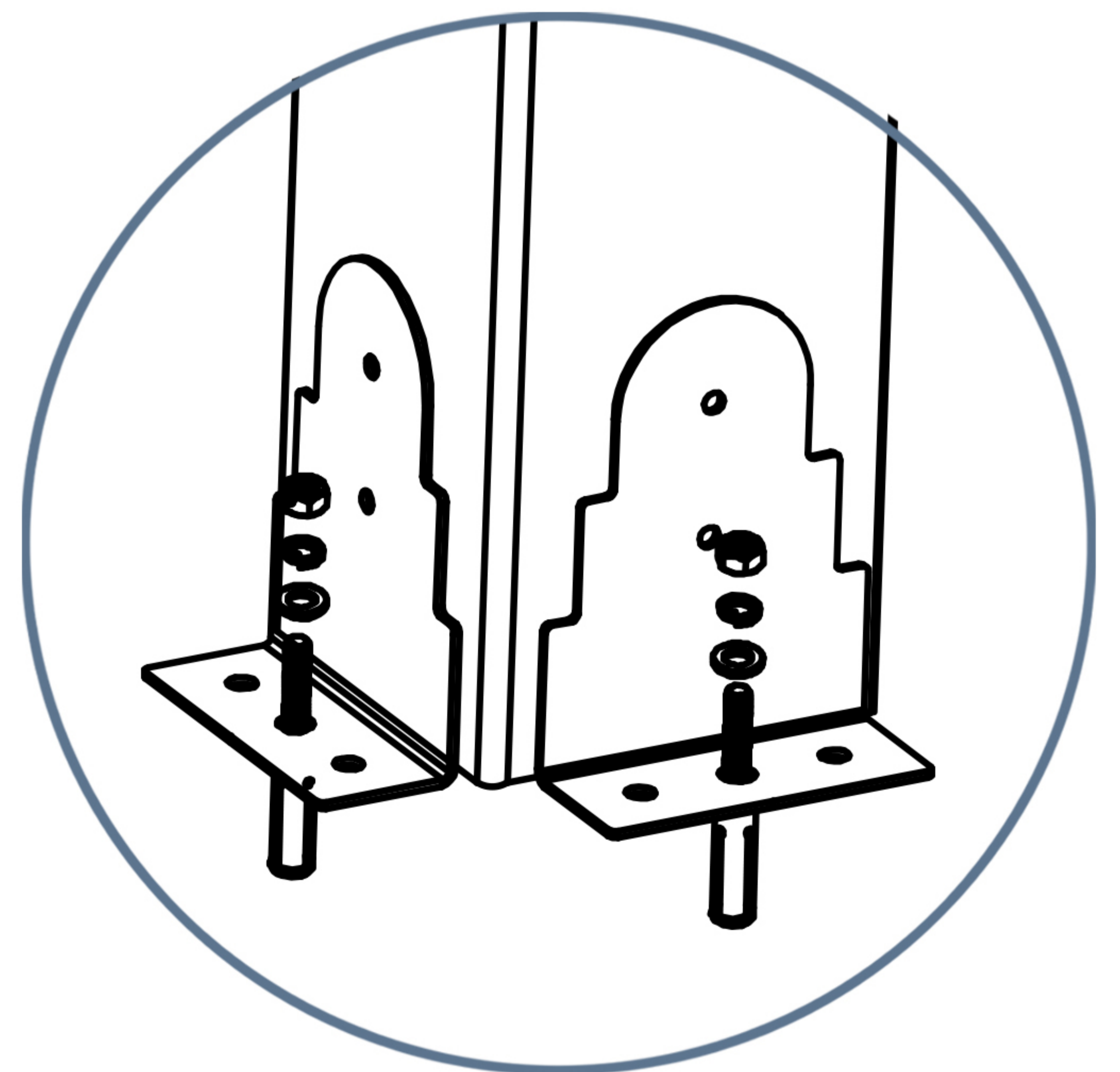
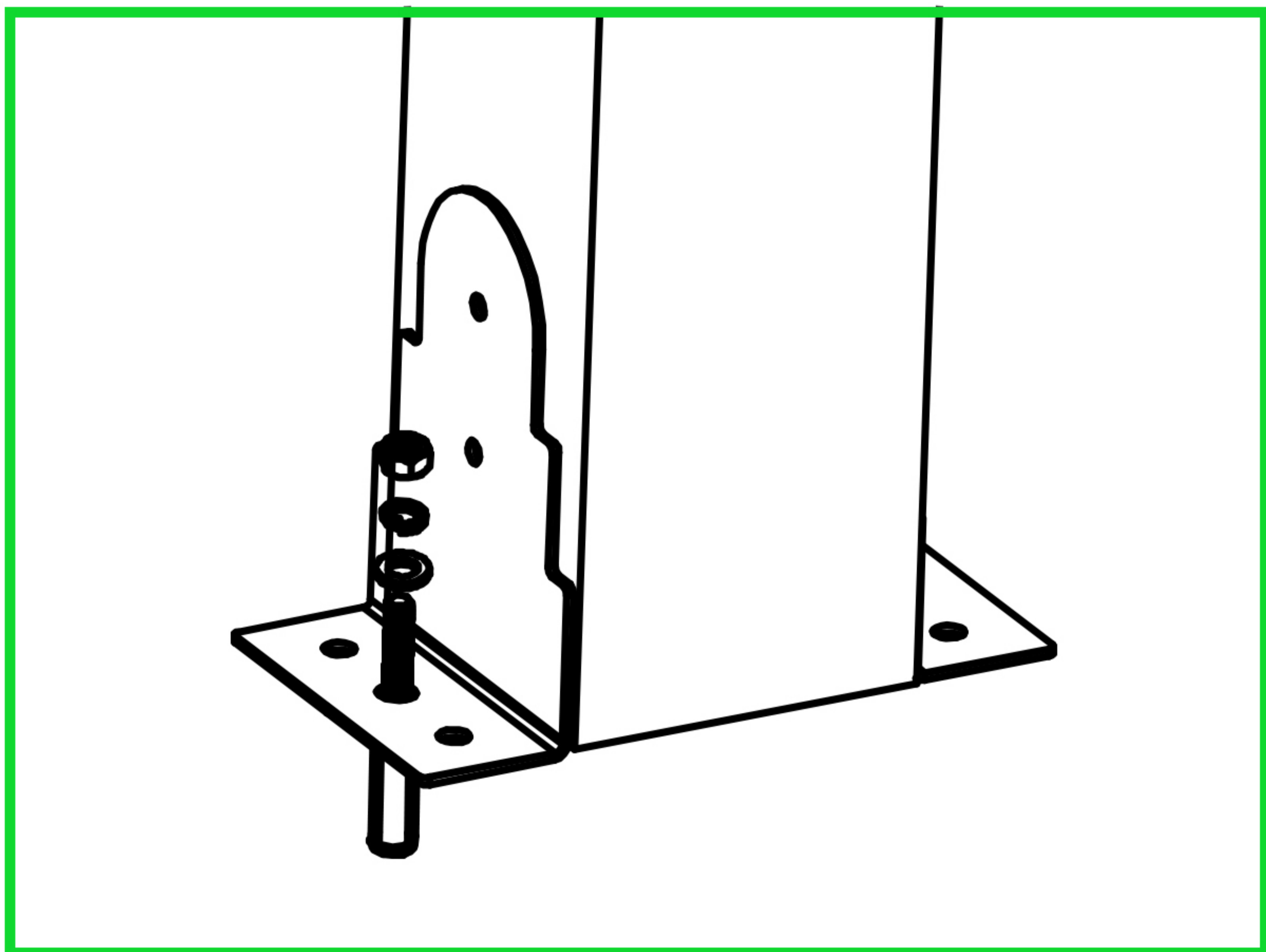
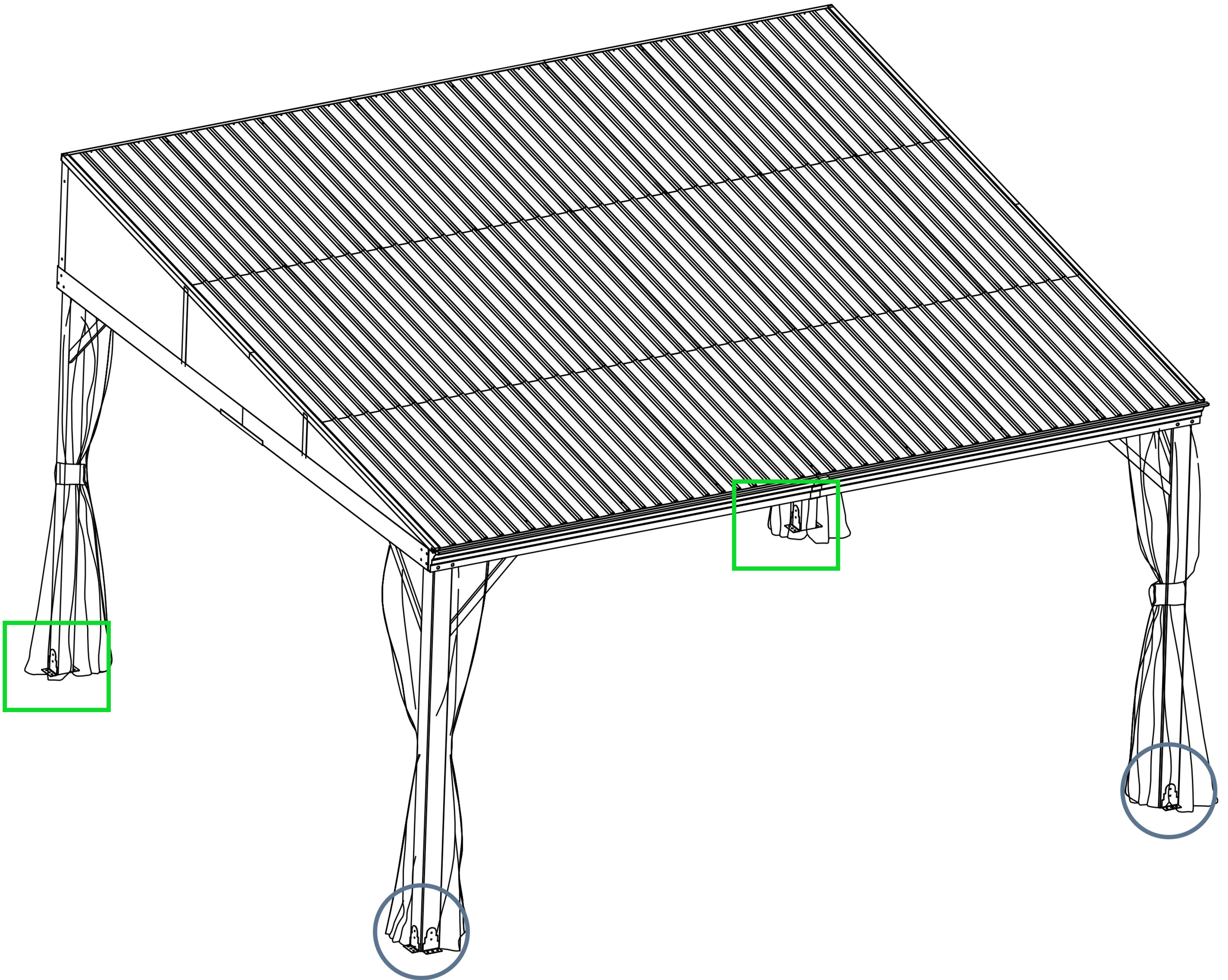


! Keep all parts! For missing parts or installation issues, contact us.

➔ ✉ E-mail: [cs.helper01@gmail.com](mailto:cs.helper01@gmail.com)

# STEP 25

Parts required



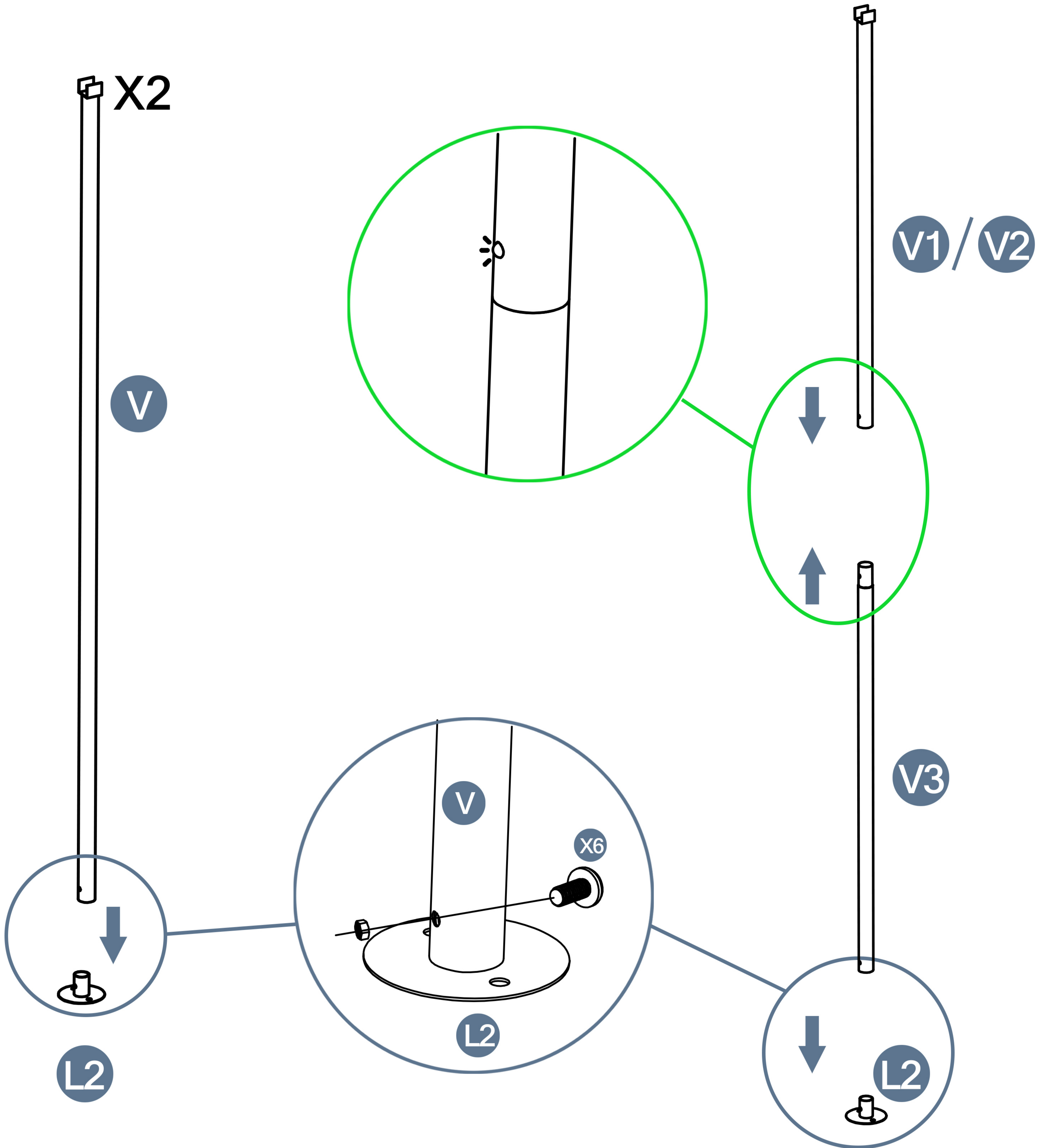
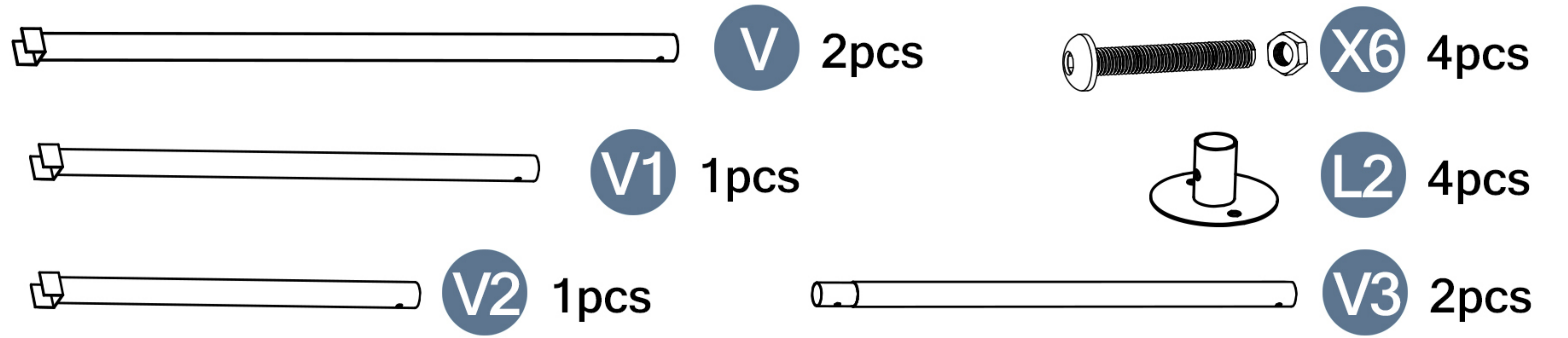
! Keep all parts! For missing parts or installation issues, contact us.



E-mail: [cs.helper01@gmail.com](mailto:cs.helper01@gmail.com)

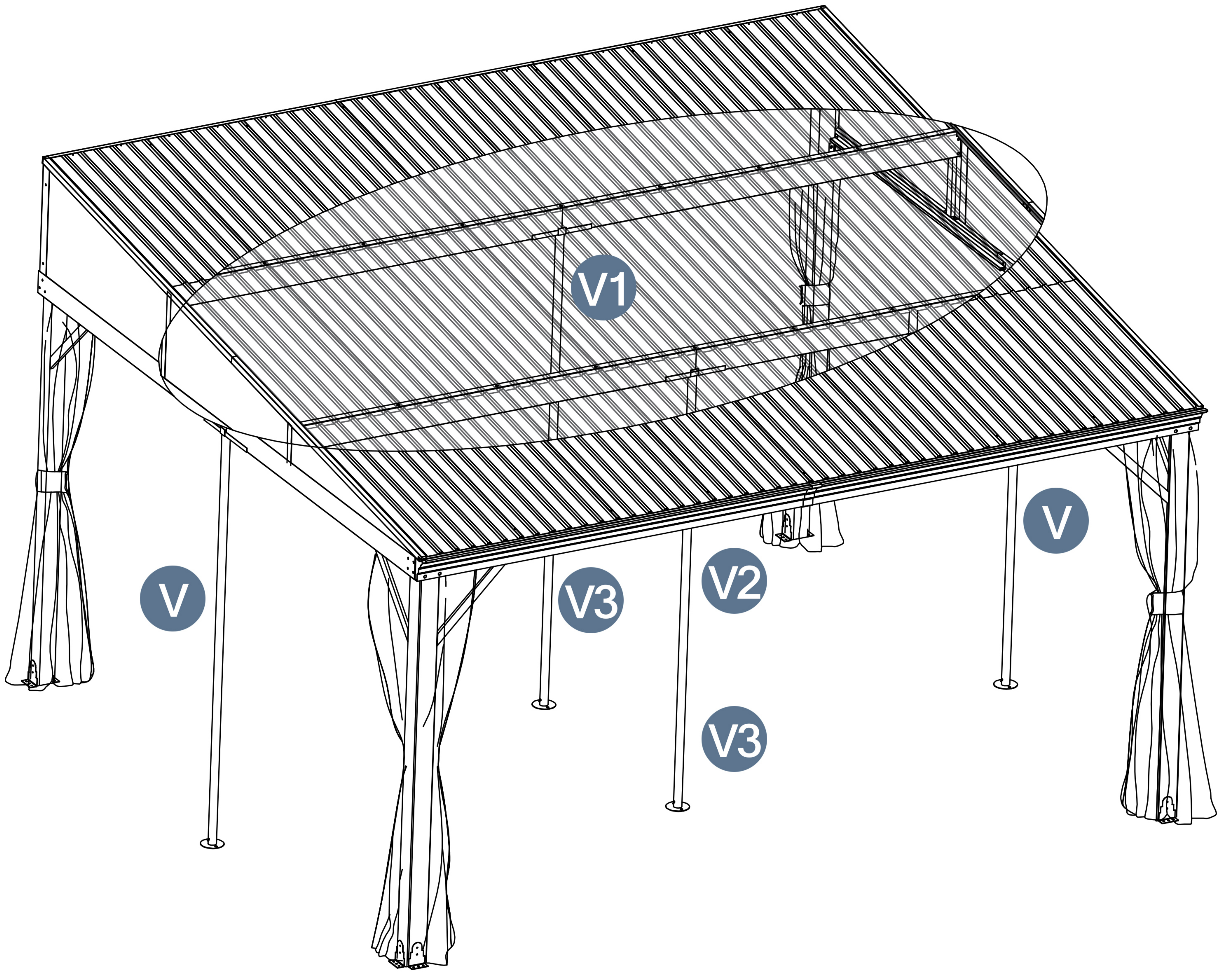
# STEP 26

Parts required



! Keep all parts! For missing parts or installation issues, contact us.

➔ E-mail: [cs.helper01@gmail.com](mailto:cs.helper01@gmail.com)



Keep all parts! For missing parts or installation issues, contact us.



E-mail: [cs.helper01@gmail.com](mailto:cs.helper01@gmail.com)