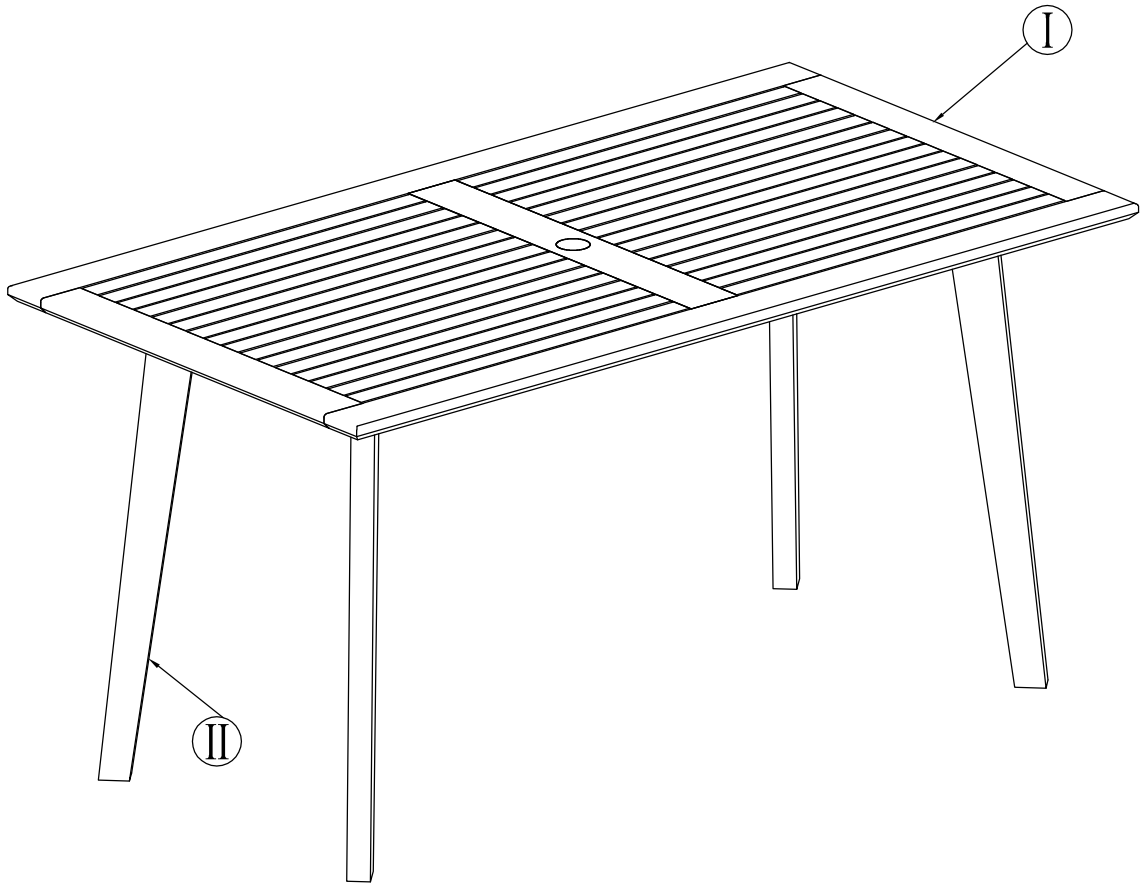


Weight capacity : 75 kgs/ 165 Lbs

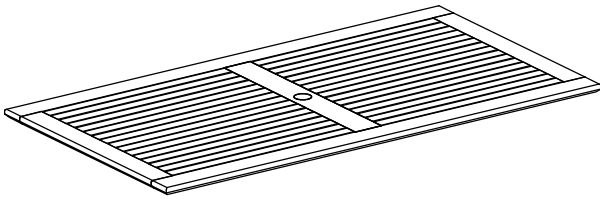




NOTE: 50% TIGHTEN BEFORE FIXING ALL BOLTS & SCREWS

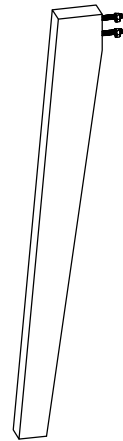
COMPONENTS LIST

I




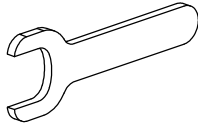
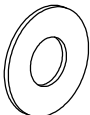
Q'TY 1

II

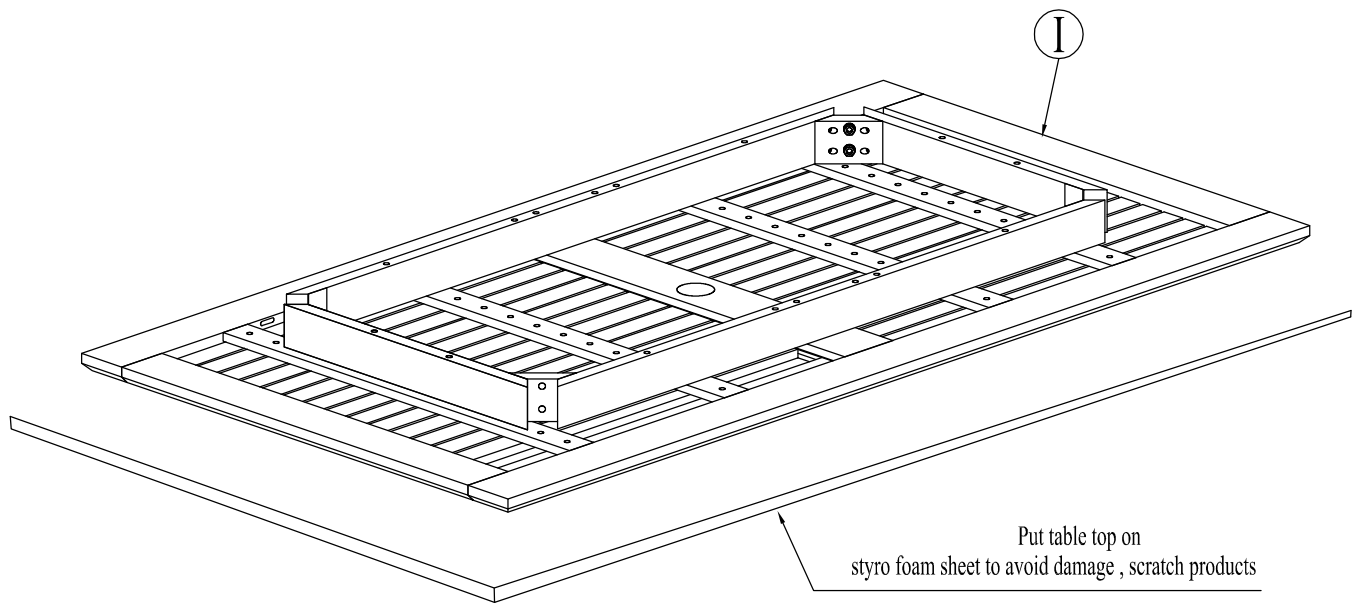


Q'TY 4

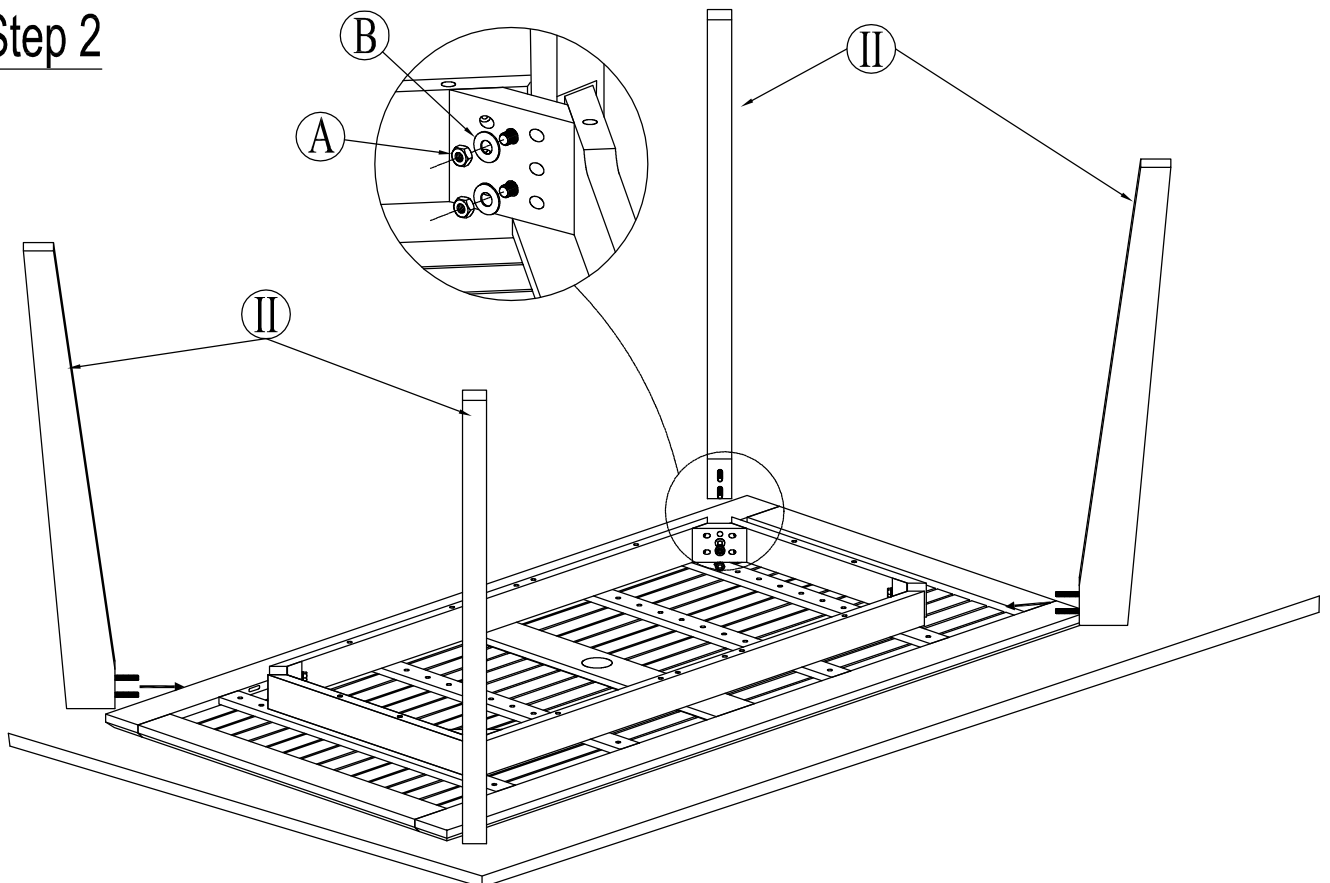
HARDWARE LIST

A		8	Hex. Nut	C		1	Spanner
B		8	Washer				

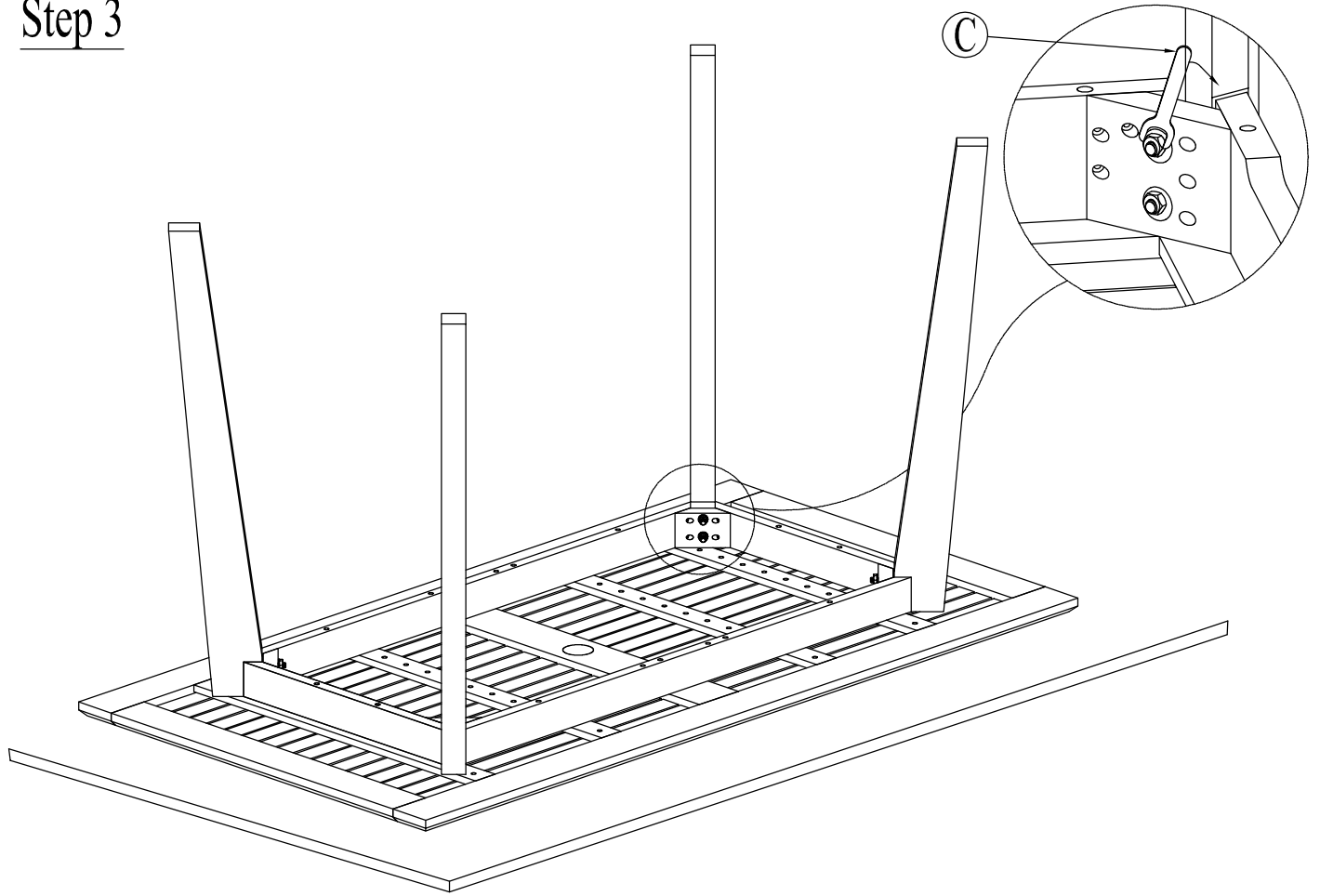
Step 1



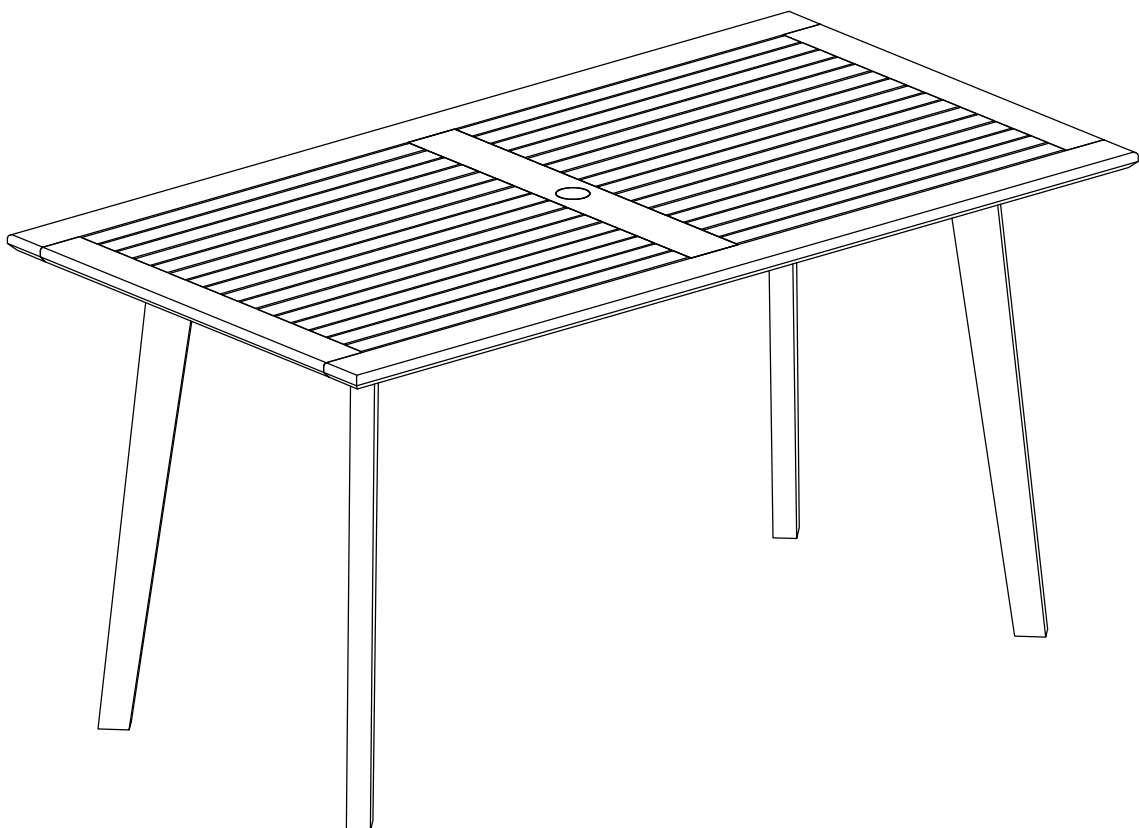
Step 2

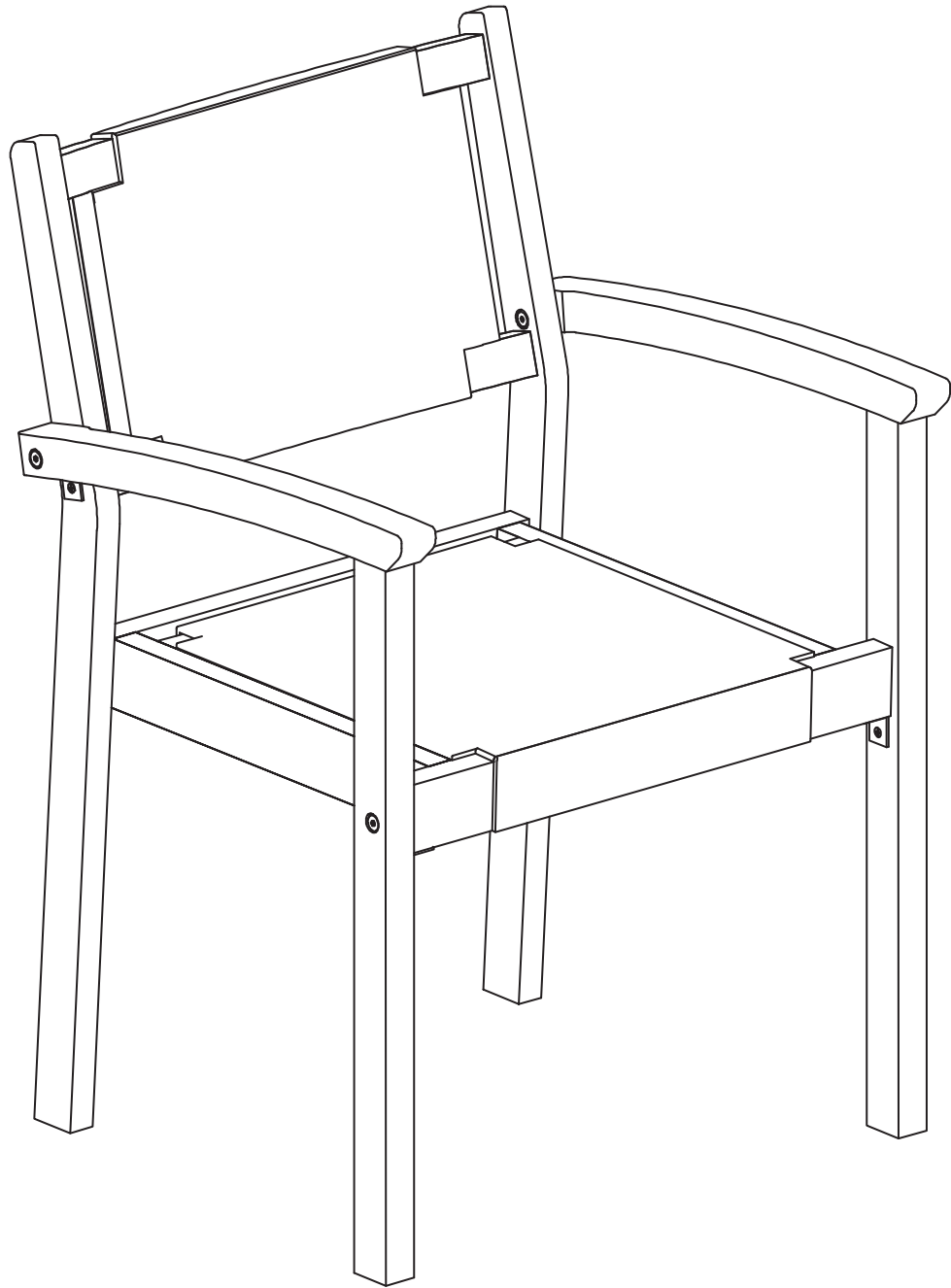


Step 3



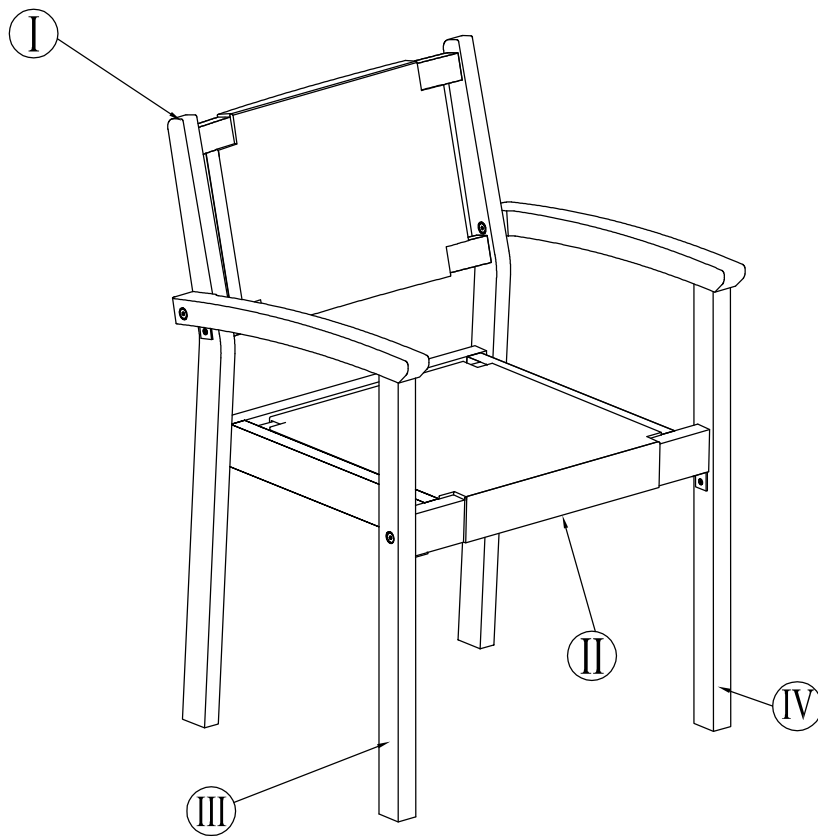
Step 4





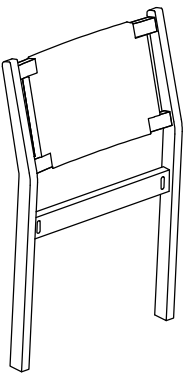
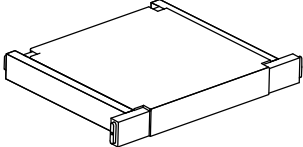
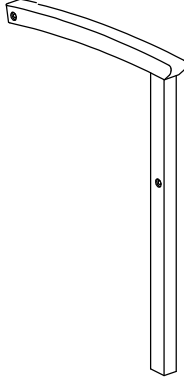
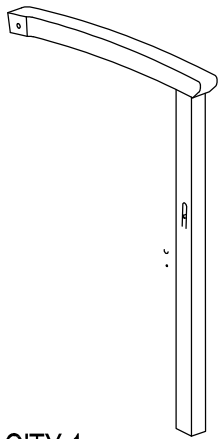
Maximum capacity : 110 kgs/242 Lbs










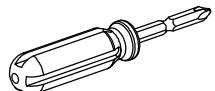


NOTE: 50% TIGHTEN BEFORE FIXING ALL BOLTS & SCREWS

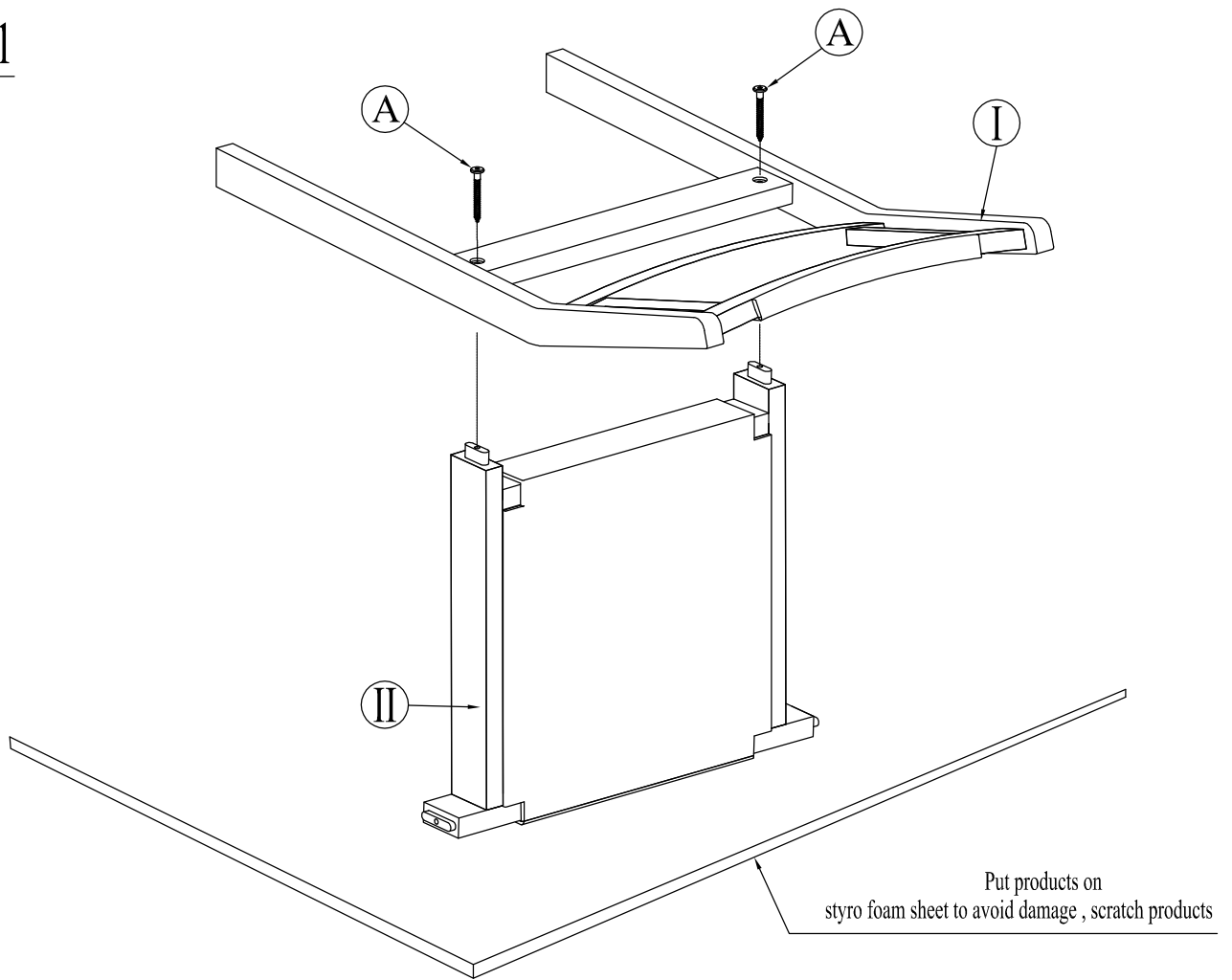
COMPONENTS LIST

 <p>Q'TY 1</p>	 <p>Q'TY 1</p>	 <p>Q'TY 1</p>	 <p>Q'TY 1</p>
---	---	--	---

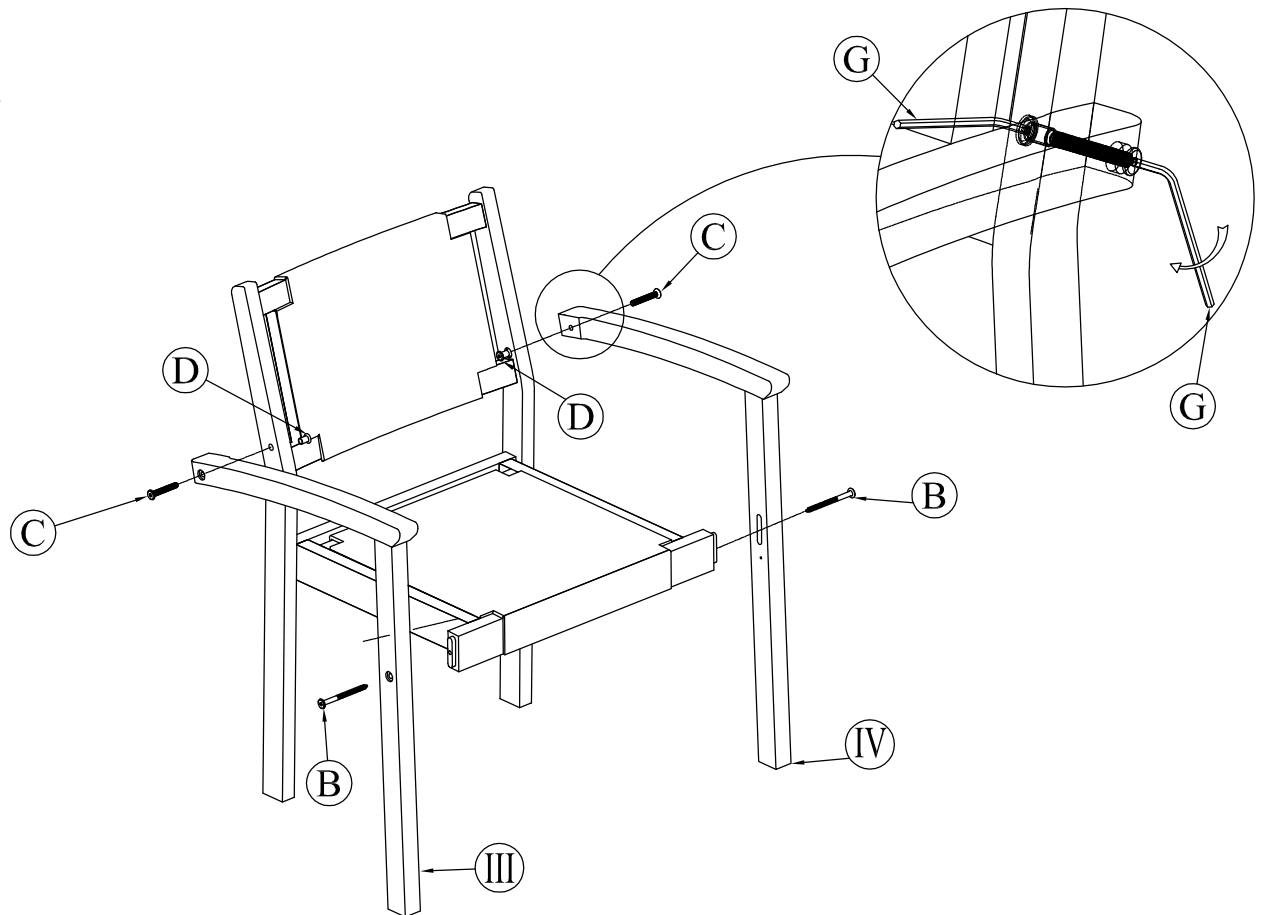
HARDWARE LIST

A		2	F - Screw 7x70	E		4	Metal Bracket
B		2	F - Screw 7x90	F		8	C- Screw 4x20
C		2	F - Bolt 8x50	G		2	Allen Key
D		2	Sleeve nut 8 x15	Supporting tools Screw driver			Page 2

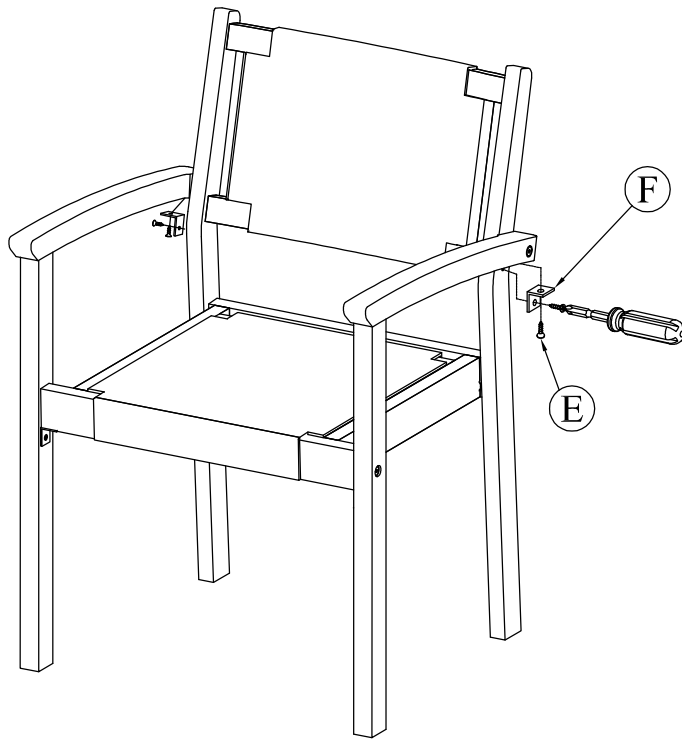
Step 1



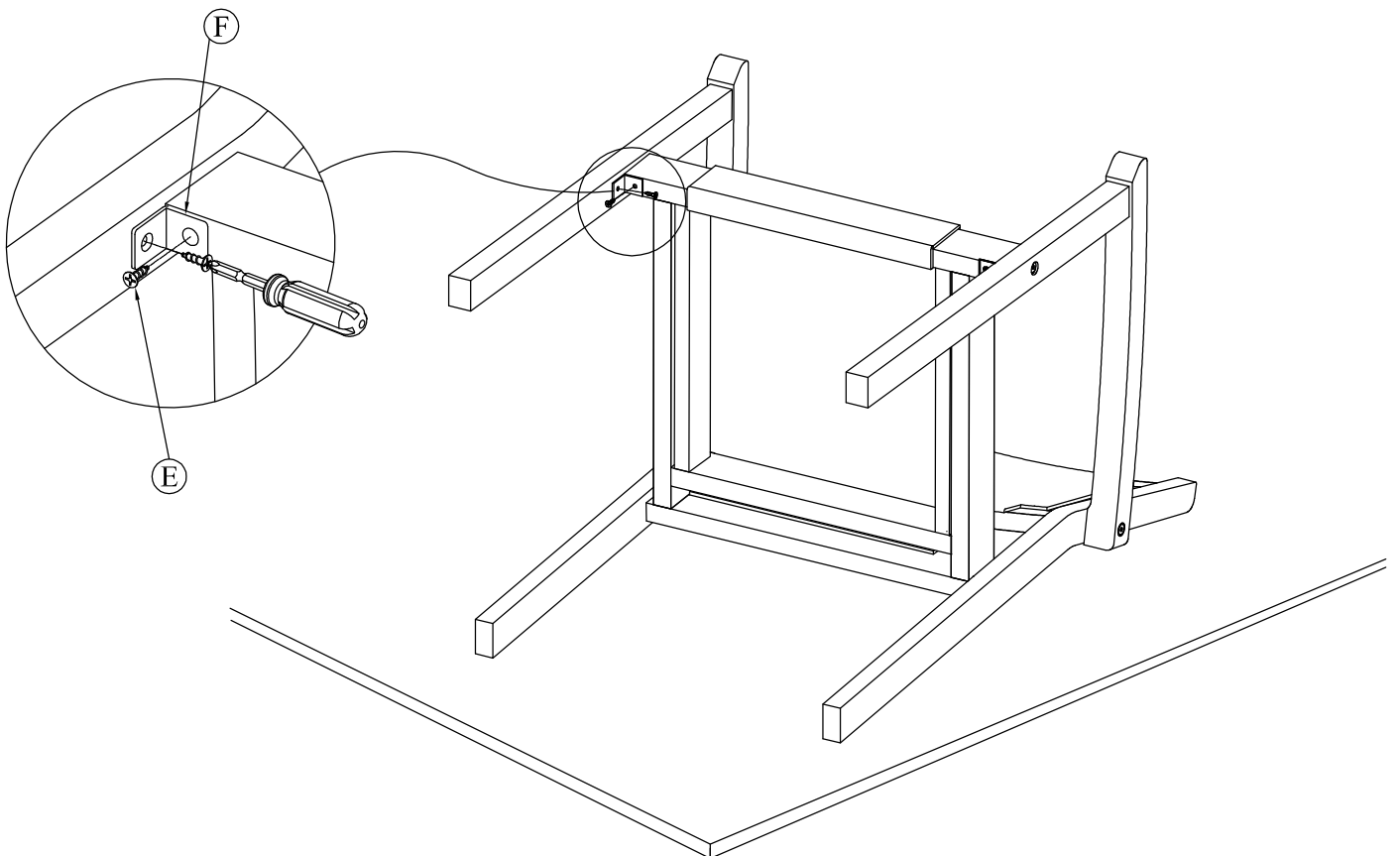
Step 2

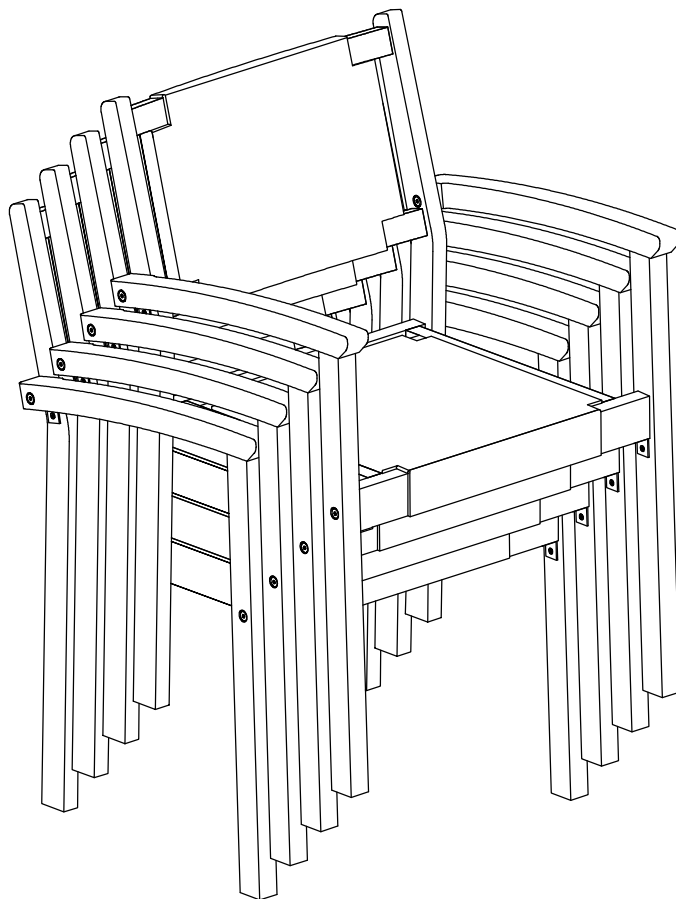
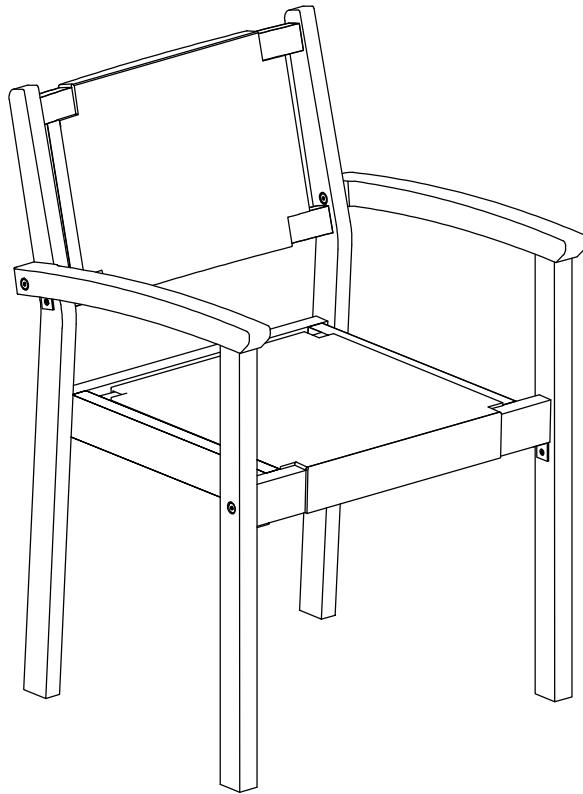


Step 3

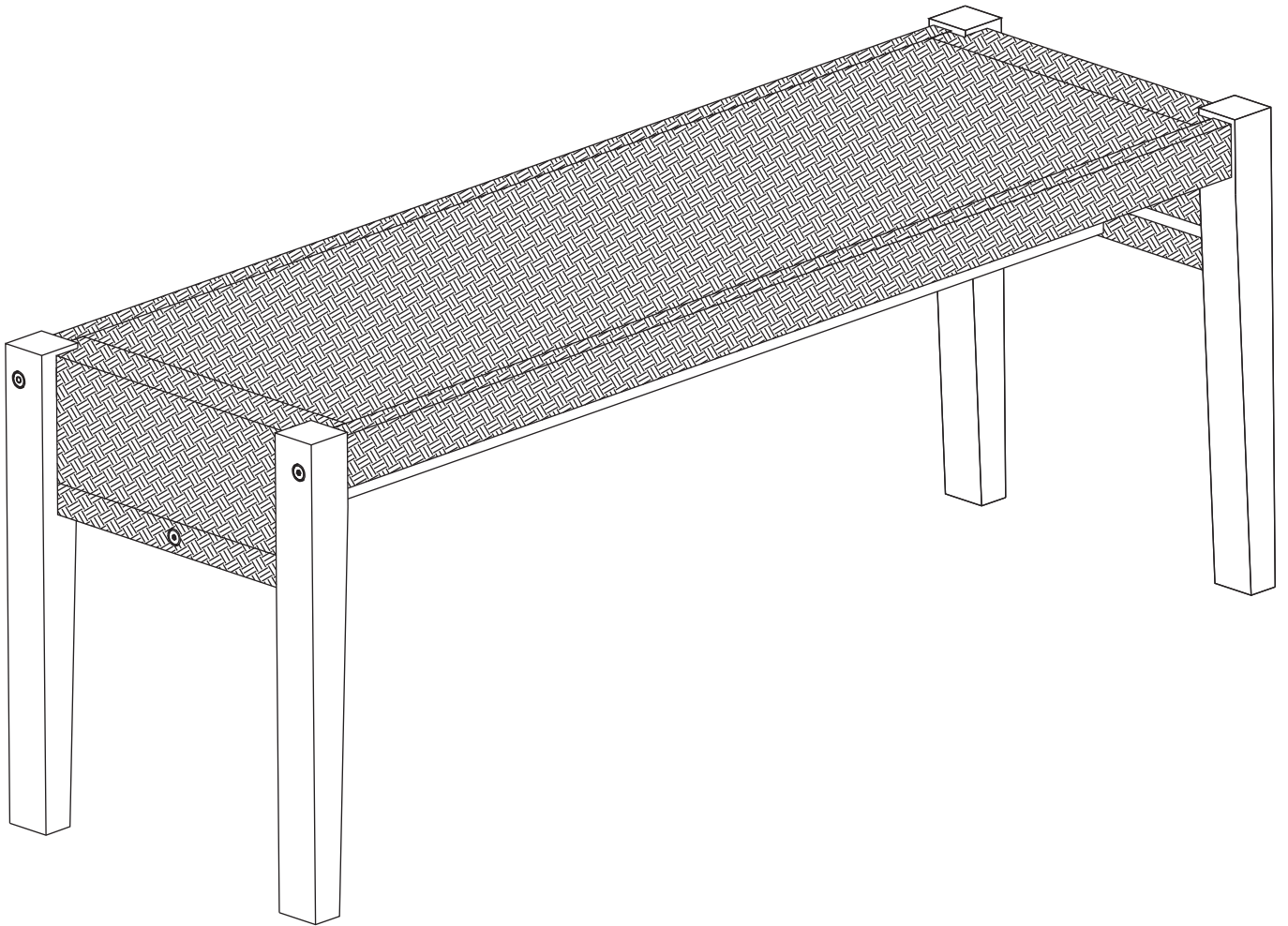


Step 4



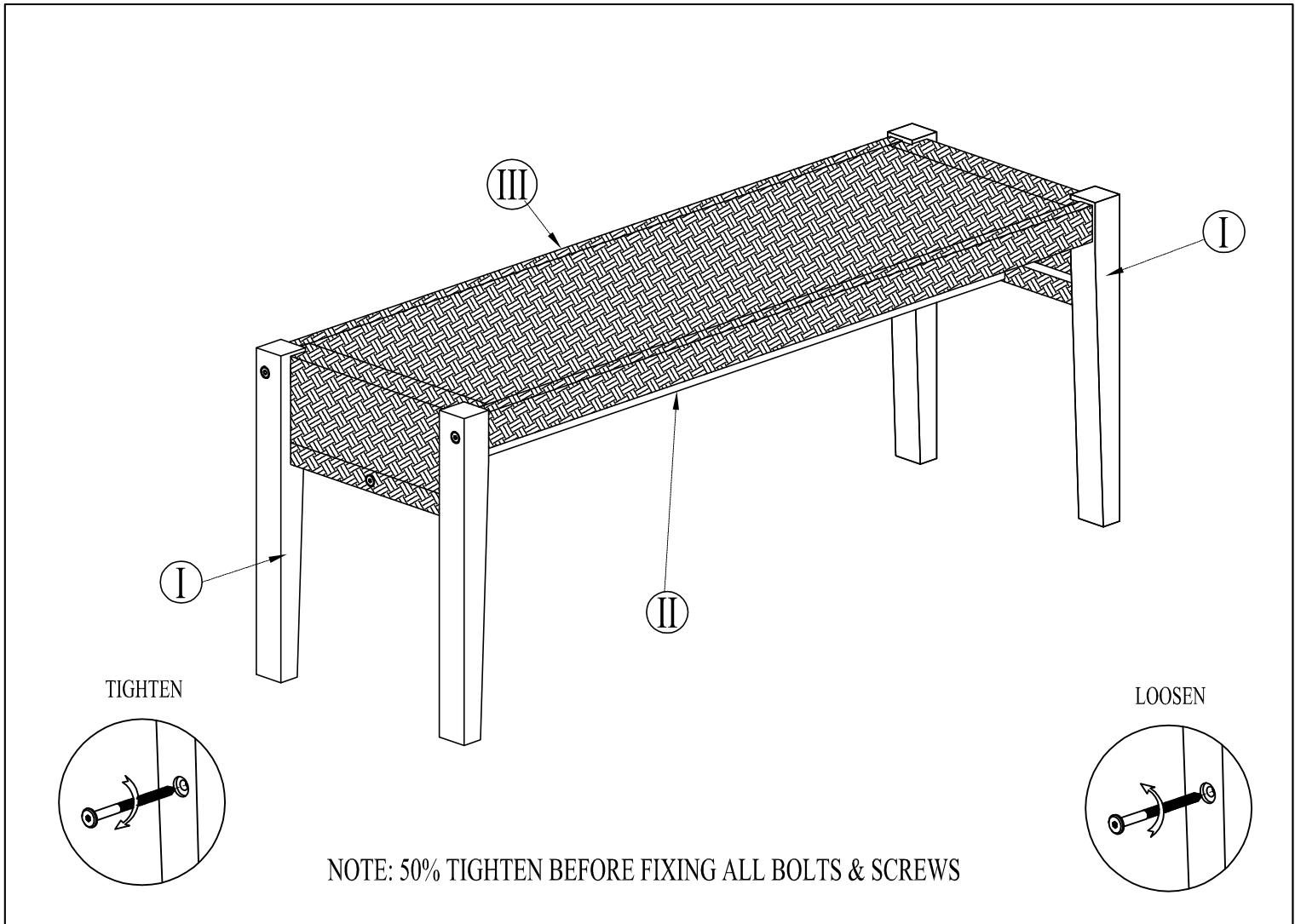


Warning: To ensure safety , please should not stack more than 4 chairs



Maximum capacity : 220 kgs/485 Lbs





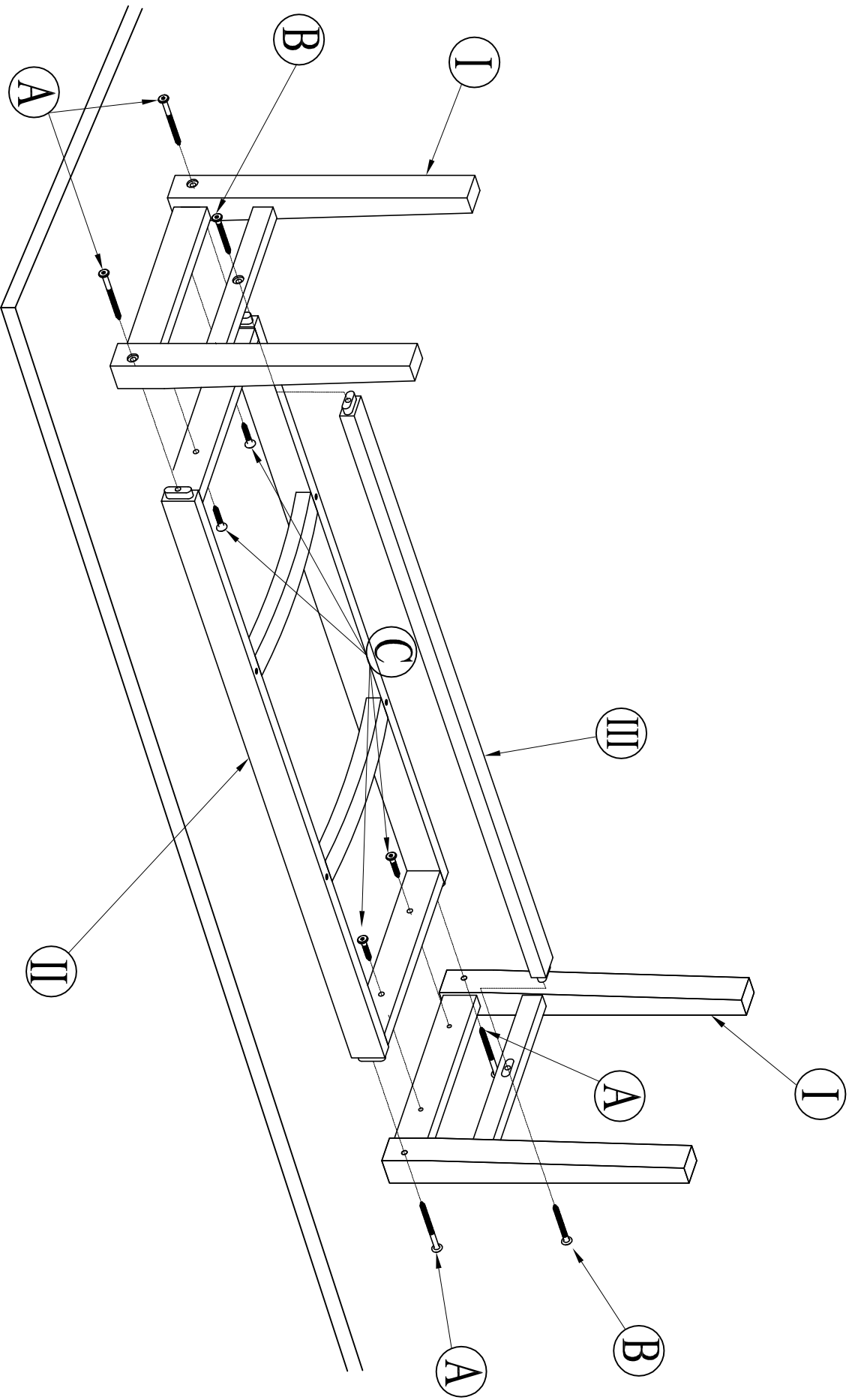
COMPONENTS LIST

<p>Right view</p> <p>Left view</p> <p>QTY 2</p>	<p>QTY 1</p>	<p>QTY 1</p>
---	--------------	--------------

HARDWARE LIST

A		4	Screw 7 x 90	C		4	Screw 7x45
B		2	Screw 7 x 70	D		2	Allen Key

Step 1



Step 2

