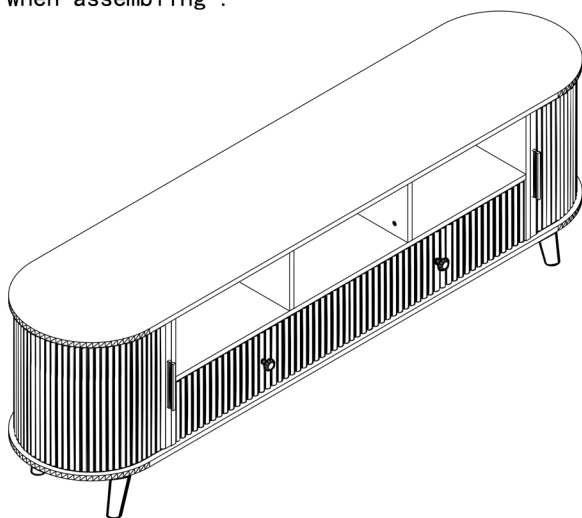
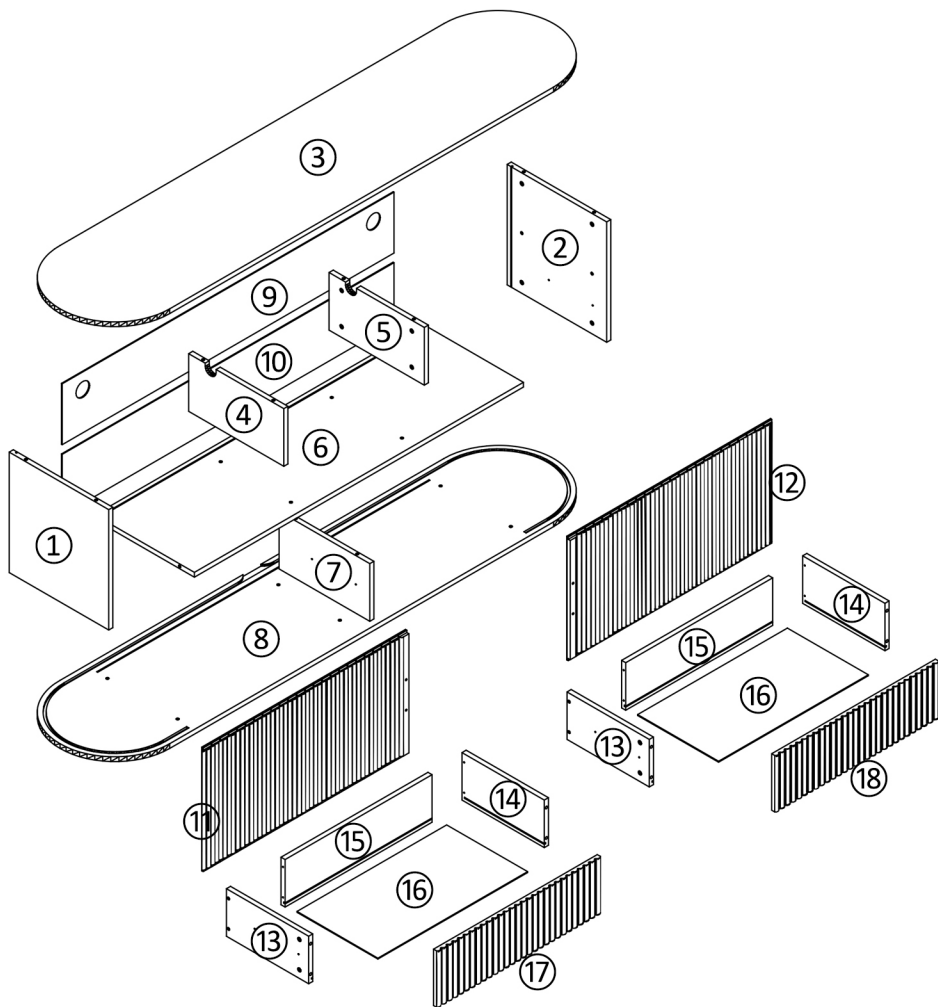
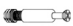


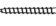














# ASSEMBLY INSTRUCTION

- Read the assembly instructions carefully before beginning assembly.
- Ensure the safety of the glass during assembly.
- Do not over tighten the screws and bolts as this may damage the threads.
- Insert the screw into the hole as shown in the figure, follow the arrow in the picture, and then rotate 90° or 180° clockwise.
- Keep the small accessories in the accessory bag away from children.
- The remaining parts are spare parts.
- Kind tips: when installing the white backboard, install the white side inward.
- The operating instruction of RGB light is included in the package. Read it carefully when assembling .



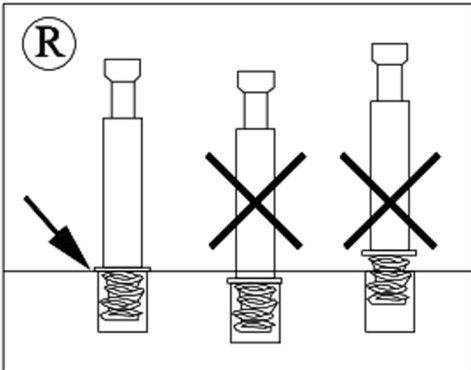
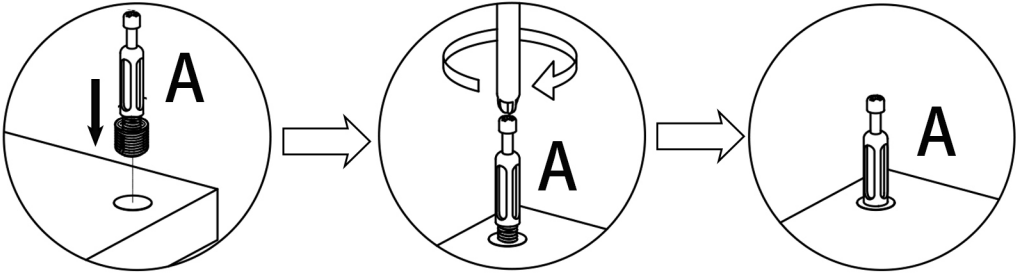


<b>A</b>  32pcs	<b>B</b>  32pcs	<b>C</b>  3.5*14 52pcs	<b>C9</b>  4*30 8pcs	<b>F</b>  2pcs	<b>F</b>  2pcs	<b>F1</b>  4*16 4pcs	<b>F1</b>  4*18 2pcs	<b>K</b>  4pcs	<b>Y</b>  16pcs
<b>AE</b>  4pcs	<b>AE2</b>  1pcs	<b>AG</b>  1pcs	<b>AM</b>  Decorative paper 20pcs	<b>BT</b>  wax 1pcs	<b>LED</b> 				



# Hardware installation demonstration

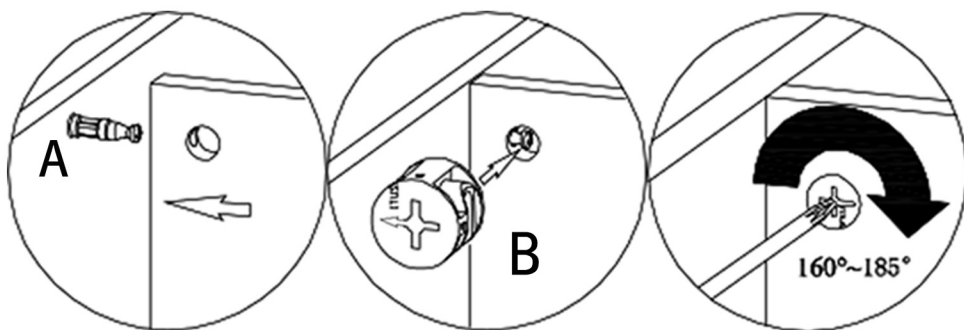
● Please make sure "A" hardware tightened and can't be pulled out





## Hardware installation demonstration

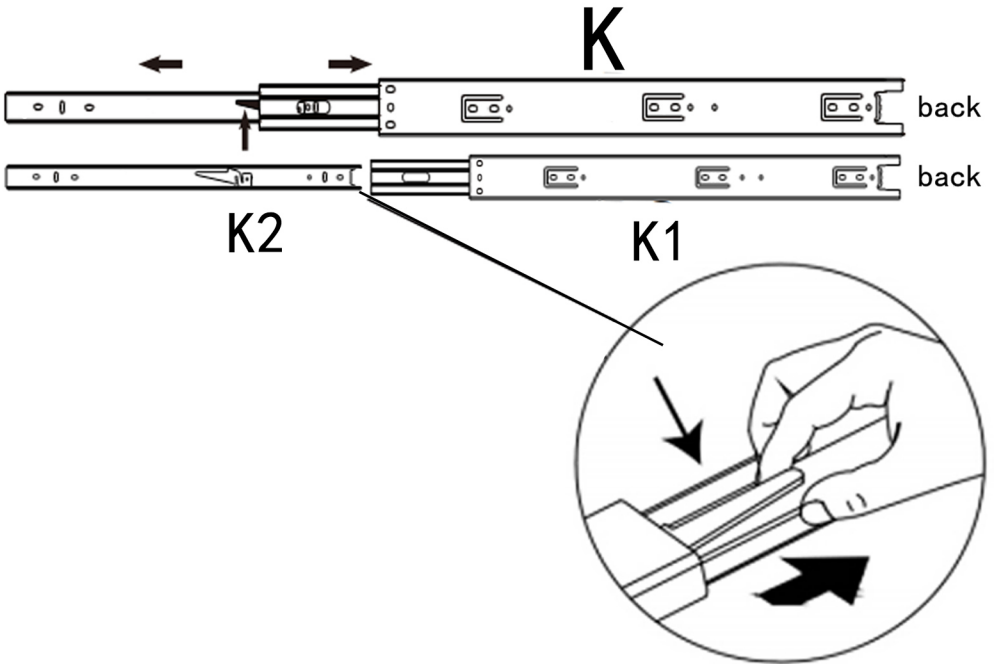
- When inserting cam ensure arrowhead on cam points toward the hole on the panel edge





## Hardware installation demonstration

- Before installing the drawer rail, you need to separate the K1 and K2 first.



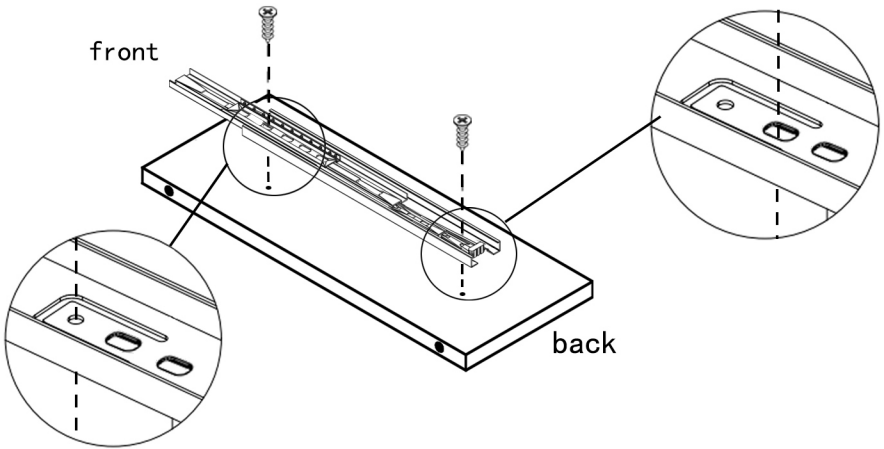
Warm Reminder: Press it and split



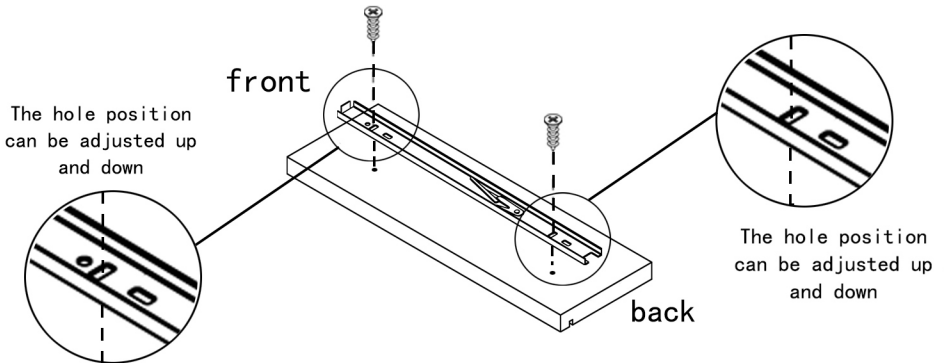
# Hardware installation demonstration



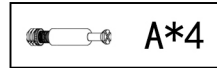
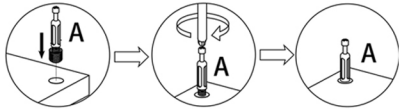
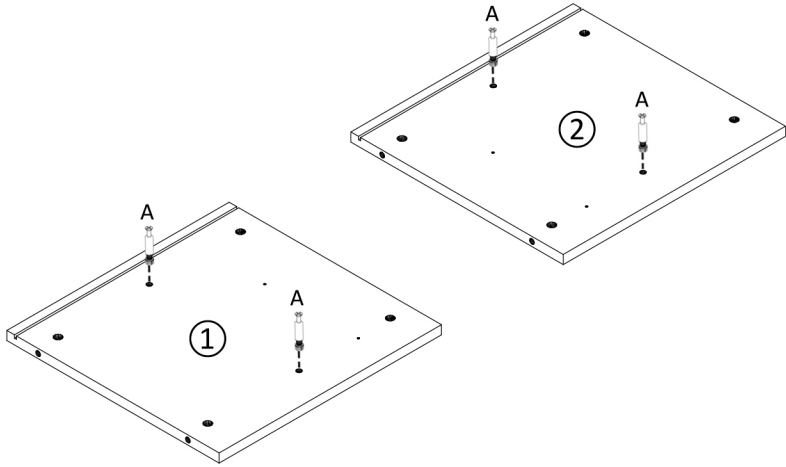
The first screw hole should corresponded with the board location hole



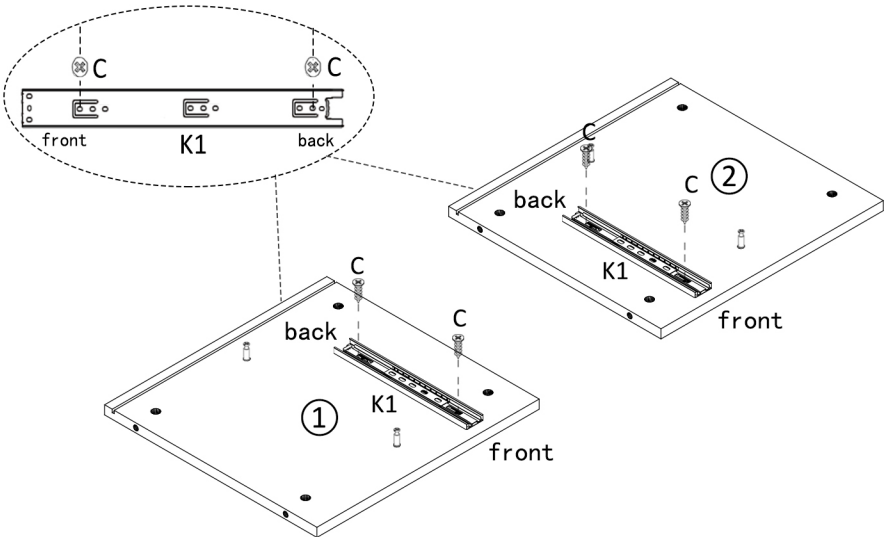
The first screw hole should corresponded with the board location hole



# STEP 1



# STEP 2

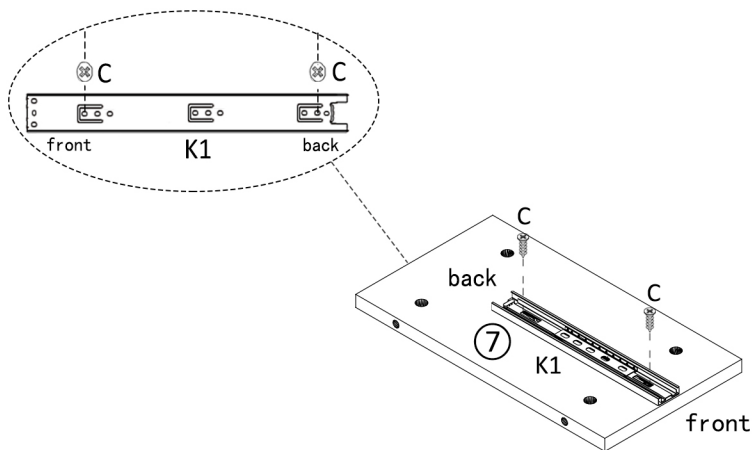


1. Check the slide rail exploded view for disassembly.

2. Align mounting holes using the sectional view.

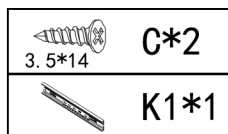


# STEP 3



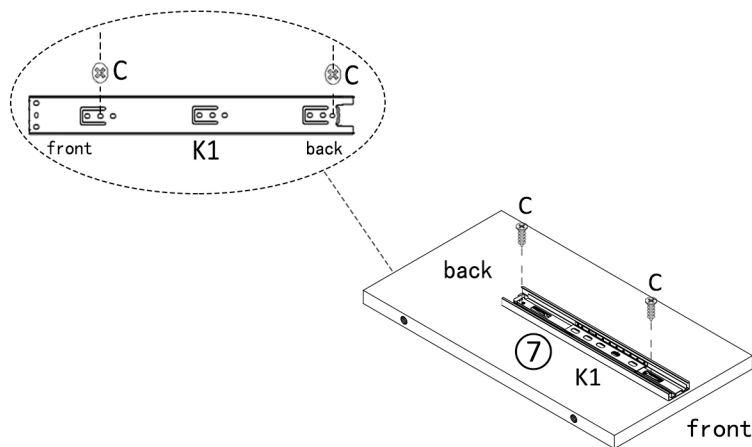
1. Check the slide rail exploded view for disassembly.

2. Align mounting holes using the sectional view.



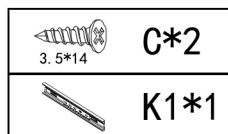
# STEP 4

Flip board #7 180 degrees and install hardware fittings on the opposite side



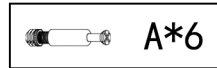
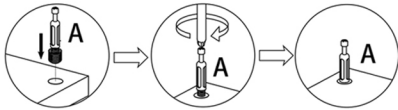
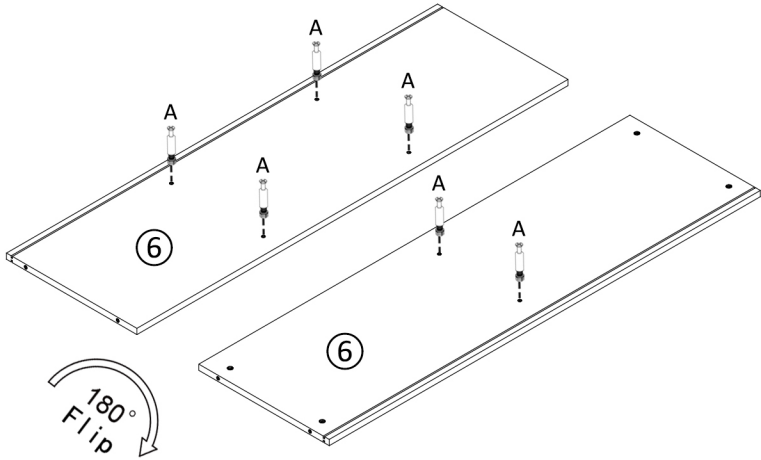
## Attention!

The corresponding positions of the screw holes on this slide rail are different. Please carefully view the enlarged diagram to clarify the details of the hole positions.

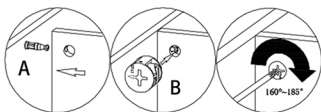
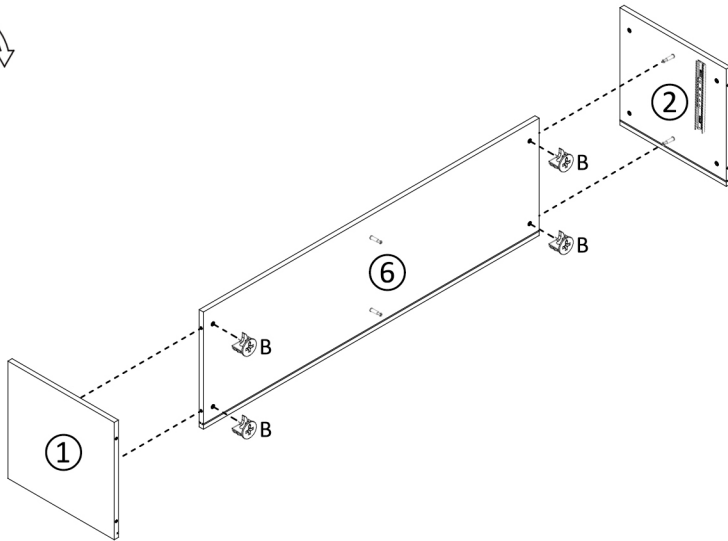
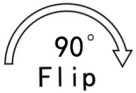


# STEP 5

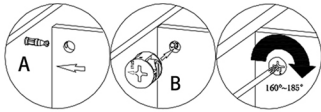
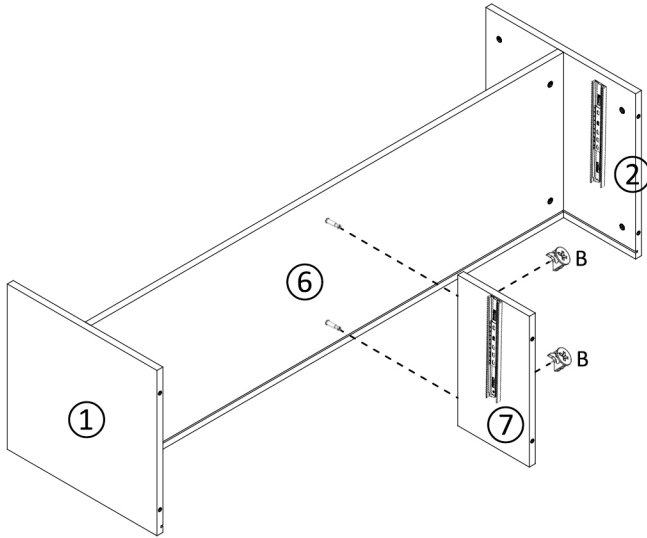
Flip board #6 180 degrees and install hardware fittings on the opposite side



# STEP 6

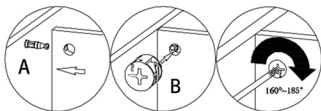
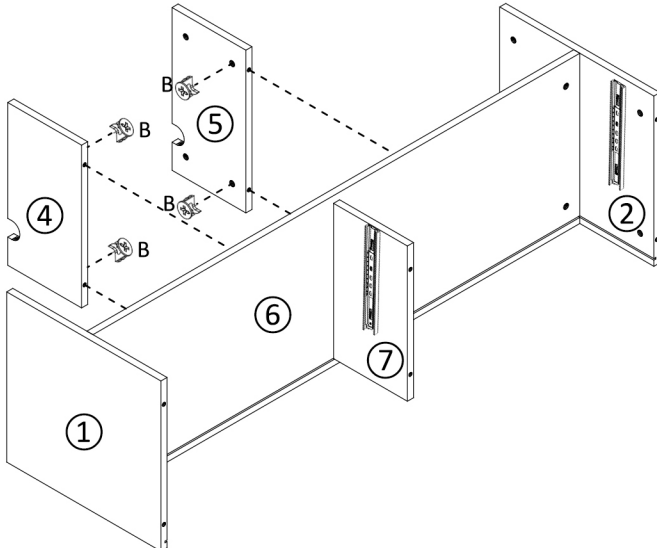


# STEP 7



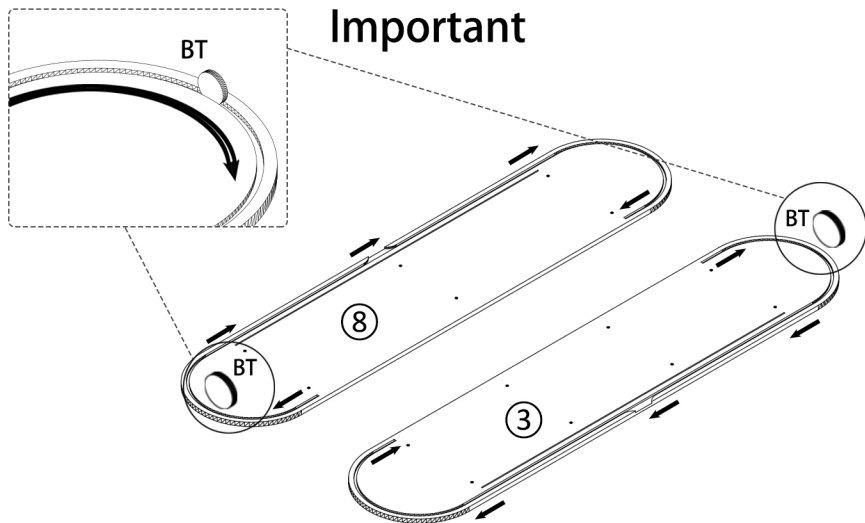
 B\*2

# STEP 8



 B\*4

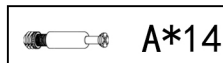
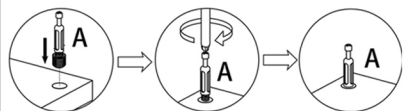
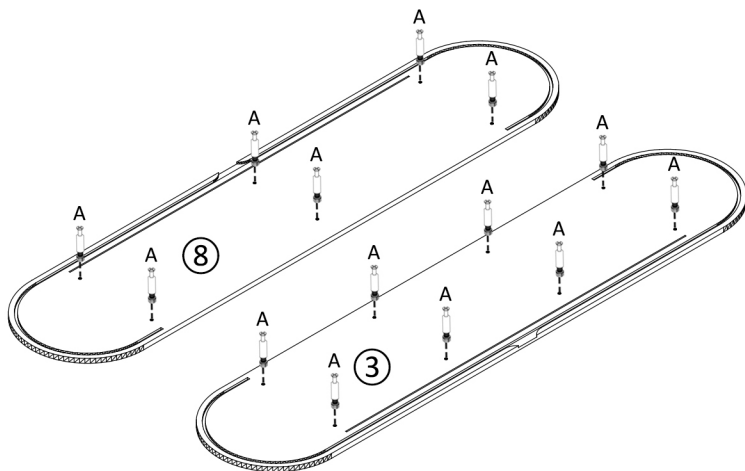
# STEP 9



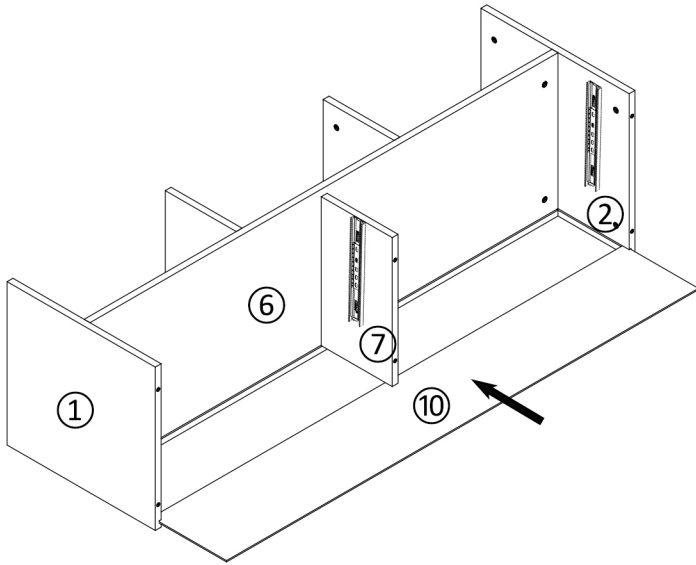
For a smooth glide, pre-lubricate the channel before initial use.  
Run the wax (BT) from one end to the other, ensuring the inner surfaces are fully coated.



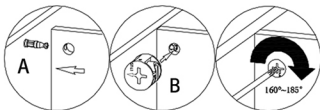
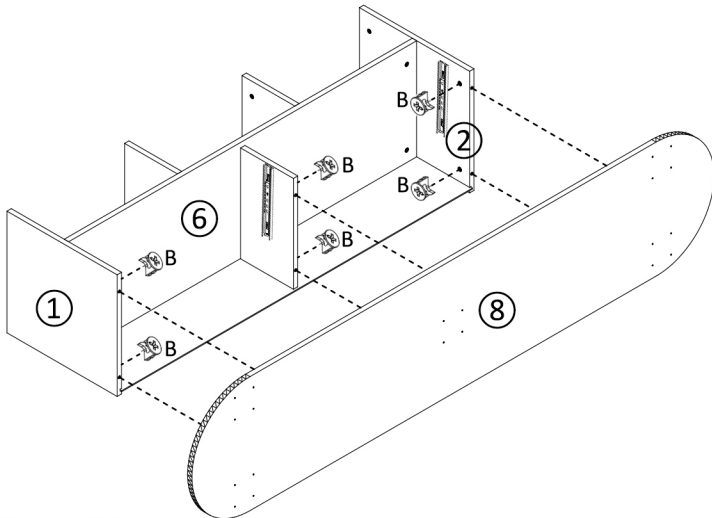
# STEP 10



# STEP 11

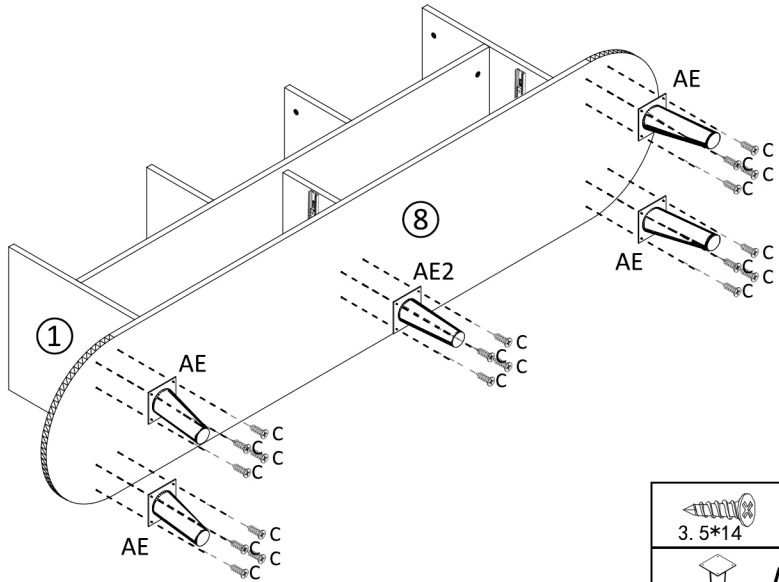





# STEP 12



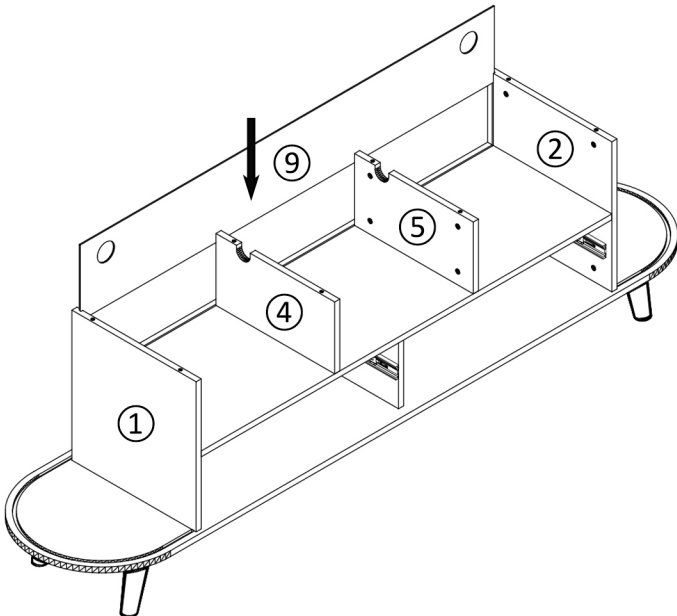
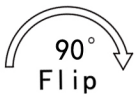
B\*6

# STEP 13

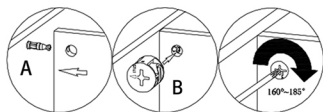
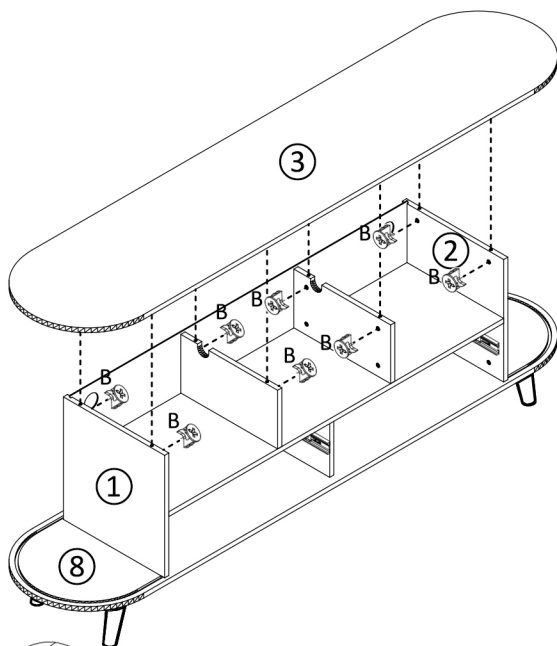


 3.5*14	<b>C*20</b>
	<b>AE2*1</b>
	<b>AE*4</b>

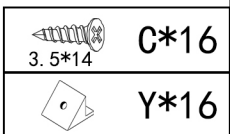
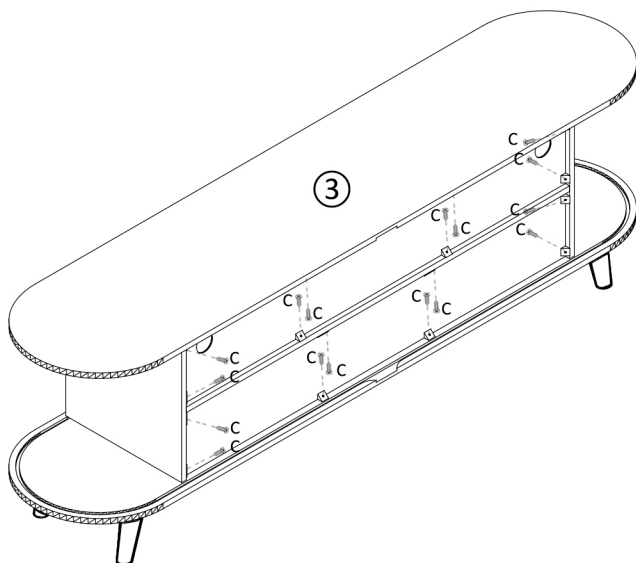
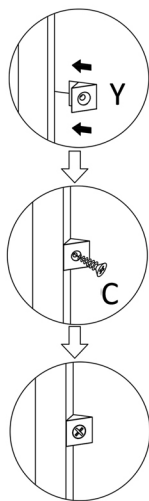
# STEP 14



# STEP 15

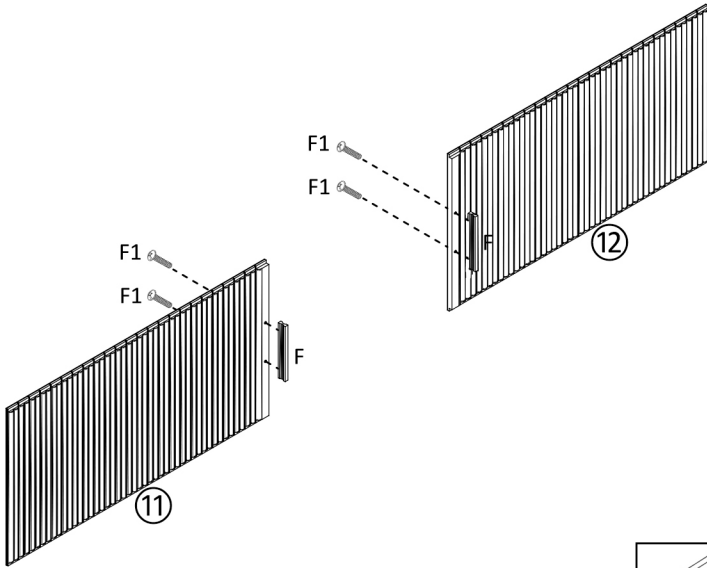




# STEP 16



Use tools to install if necessary

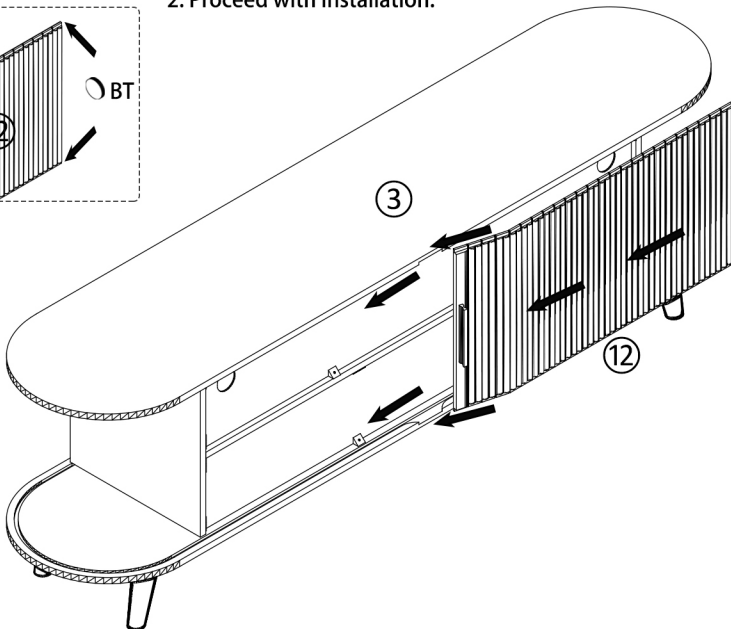
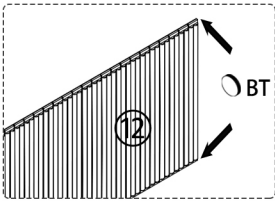
# STEP 17



	F*2
	F1*4

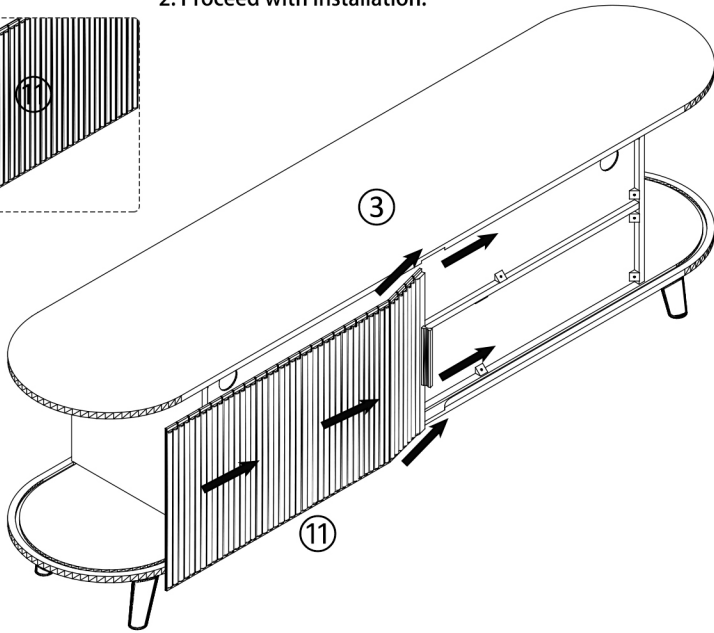
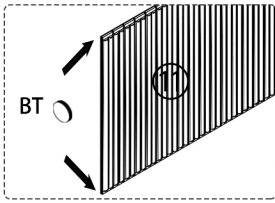
# STEP 18

- 1: Apply wax (BT) evenly to the top and bottom cutouts of Board #12.
- 2: Proceed with installation.

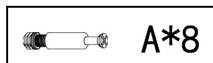
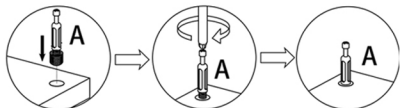
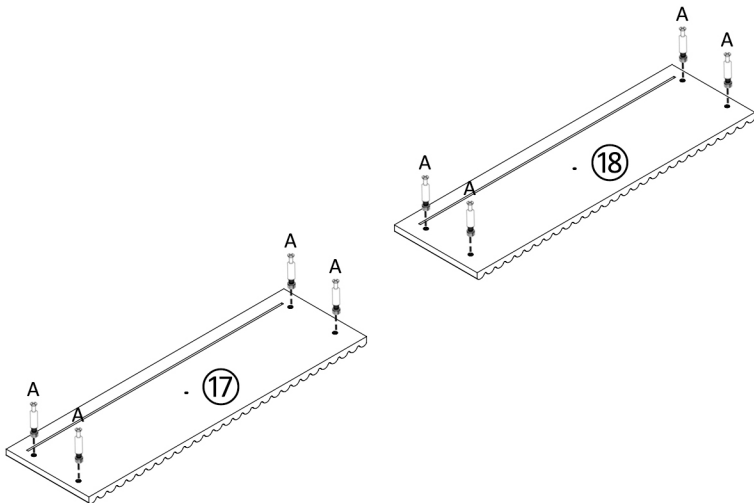


# STEP 19

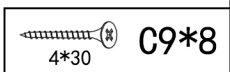
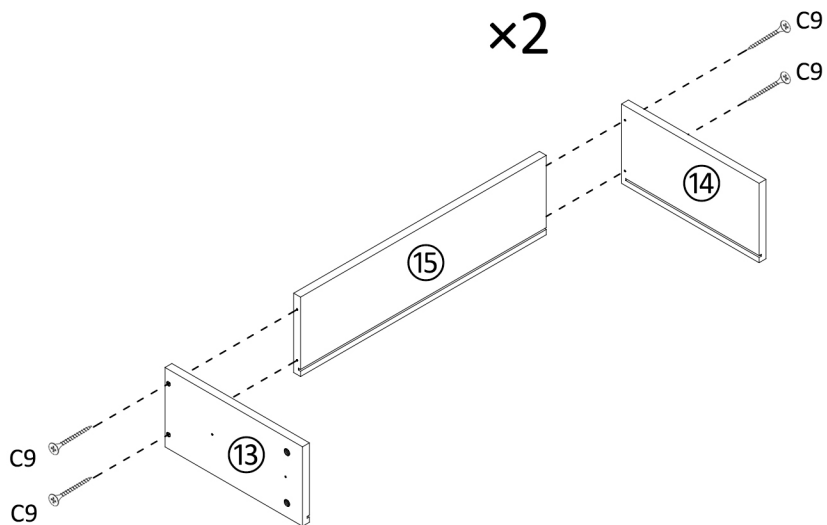
- 1: Apply wax (BT) evenly to the top and bottom cutouts of Board #11.
- 2: Proceed with installation.



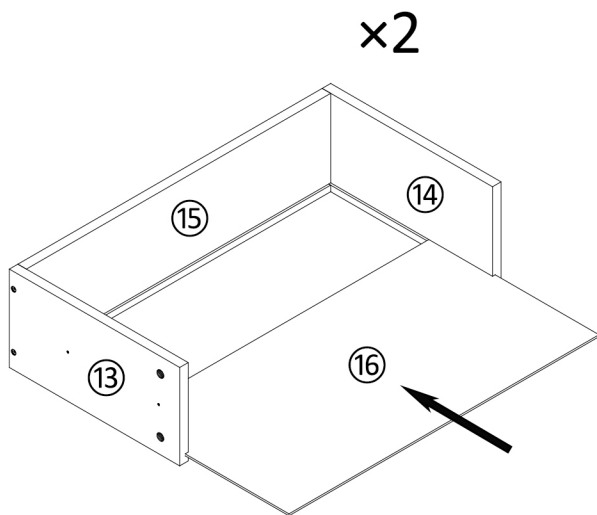
# STEP 20



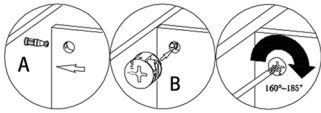
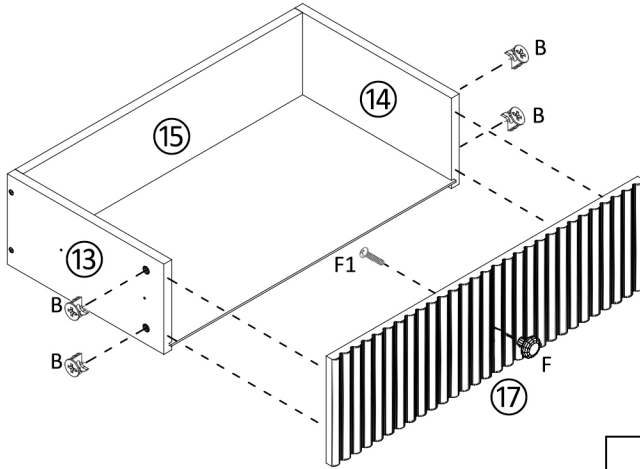
# STEP 21






# STEP 22

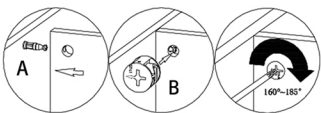
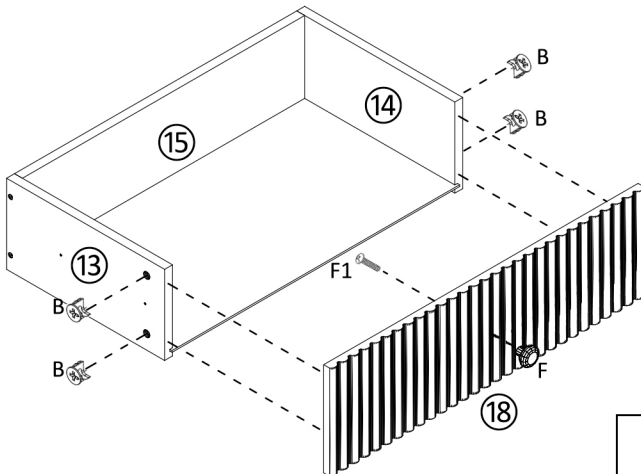





# STEP 23



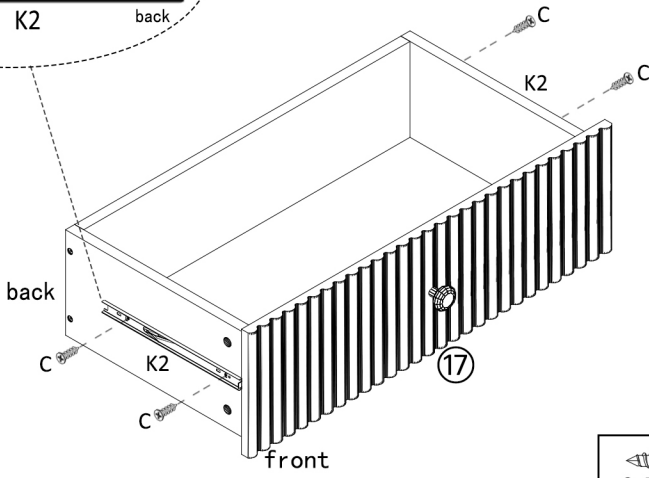
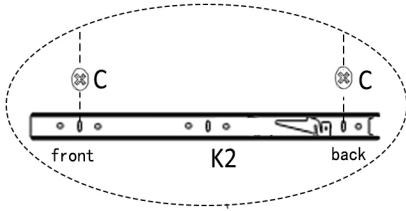
	F*1
 4*18	F1*1
	B*4

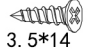

# STEP 24



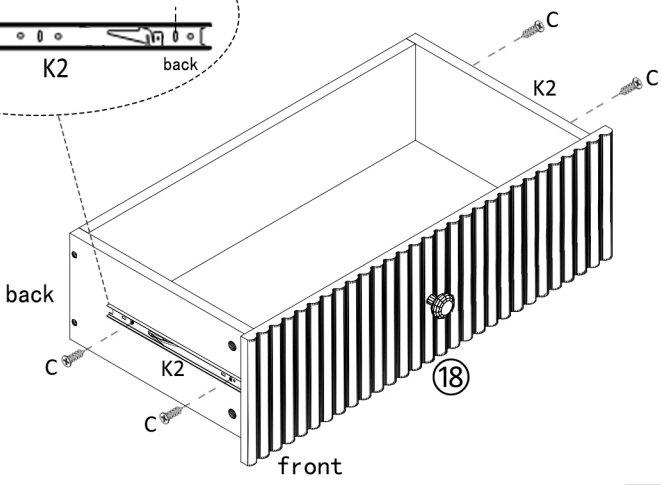
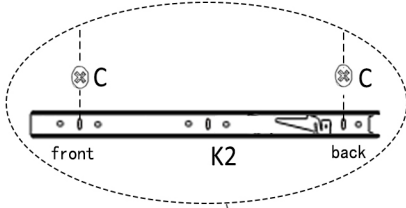
	F*1
 4*18	F1*1
	B*4

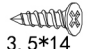

# STEP 25



 3.5*14	<b>C*4</b>
	<b>K2*2</b>

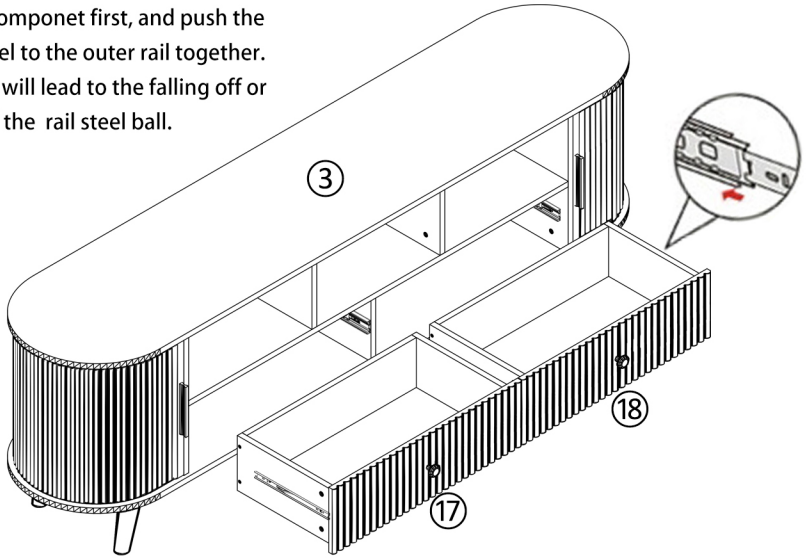
# STEP 26



 3.5*14	<b>C*4</b>
	<b>K2*2</b>

# STEP 27

Note: When assembling the inner slide rail, it is necessary to place the inner slide rail on the steel ball component first, and push the inner rail parallel to the outer rail together. Direct violence will lead to the falling off or deformation of the rail steel ball.



# STEP 28

Please stick the LED light strip on the back of Panel 3

