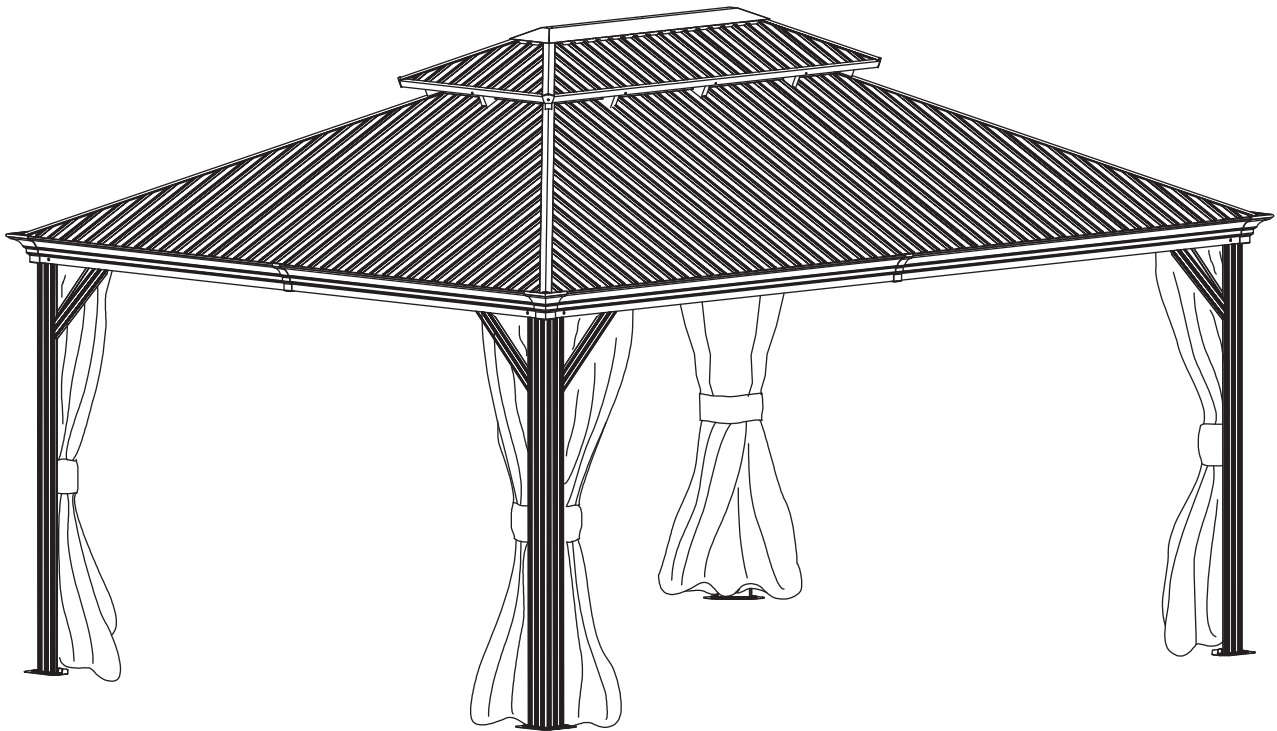


ASSEMBLY INSTRUCTIONS

METAL GAZEBO SHED

SKU: T-GZB23-0342-16BK





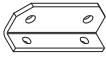





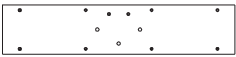


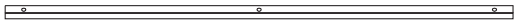


E-mail:
hofficeservice@gmail.com



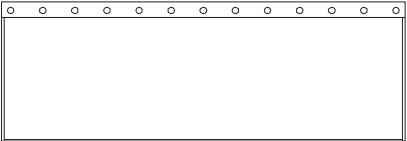
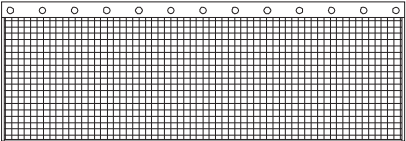
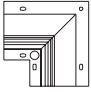
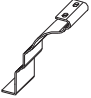




Please read the manual carefully
before installation.

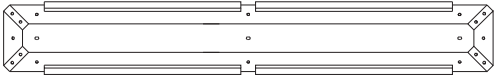
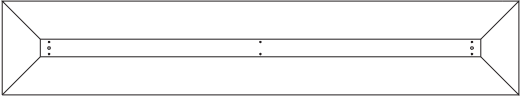

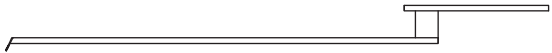
WALL PARTS

 <p>A X4</p>	 <p>A1 X8</p>	 <p>B X2</p>
 <p>A X4</p>	 <p>A2 X8</p>	 <p>C X2</p>
 <p>J1 X4</p>	 <p>L X4</p>	 <p>D X2</p>
 <p>J2 X4</p>	 <p>F X4</p>	 <p>E X2</p>
 <p>B1 X2</p>	 <p>C1 X2</p>	




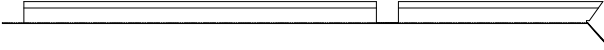








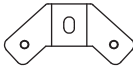
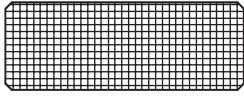
WALL PARTS

 <p>D1 X2</p>	 <p>E1 X2</p>		
 <p>Y X4</p>	 <p>Y1 X4</p>		
 <p>G X4</p>	 <p>H X4</p>	 <p>4# X112</p>	 <p>H1 X4</p>

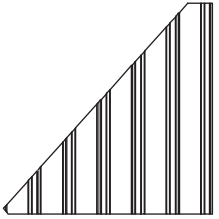
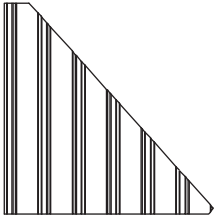
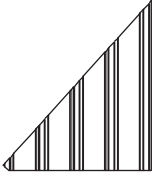
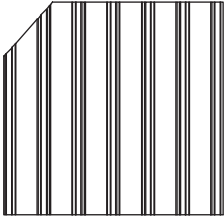
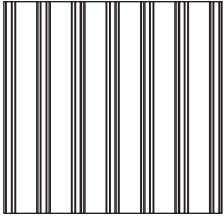
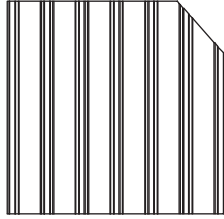
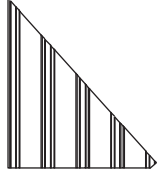
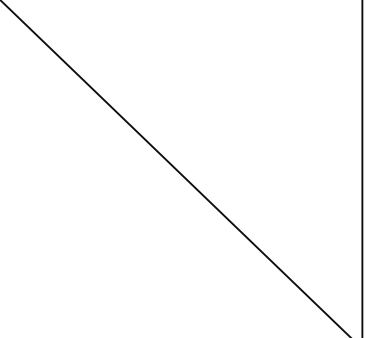

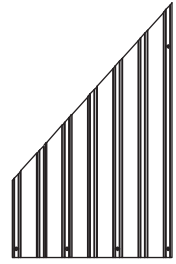
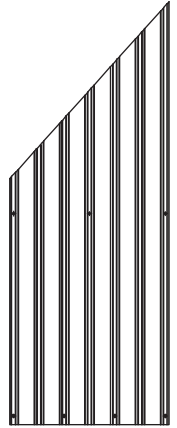
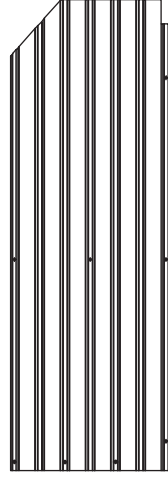

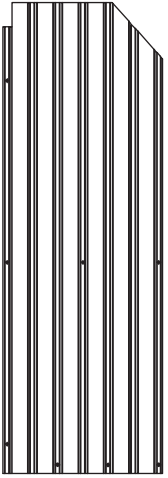
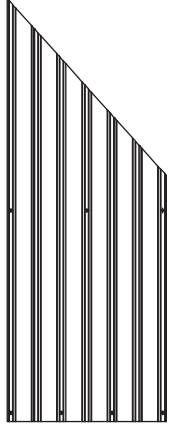
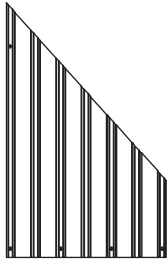
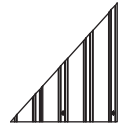
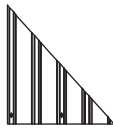
ROOF PARTS

 <p>K X1</p>	 <p>K1 X1</p>
 <p>M X4</p>	 <p>N X4</p>

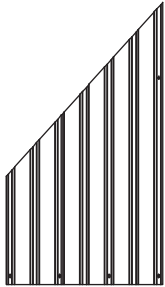
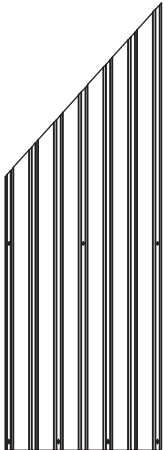
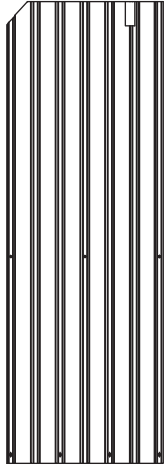
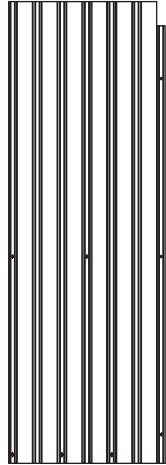
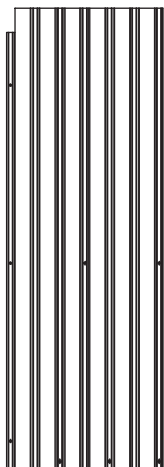
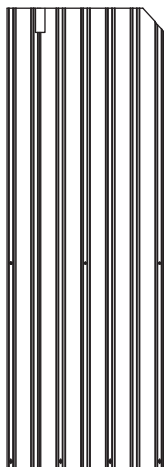
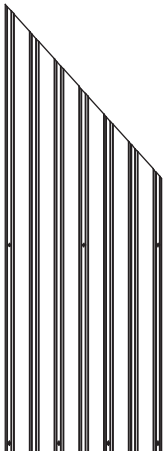
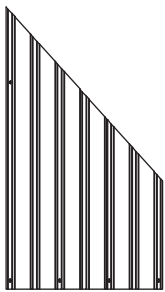
ROOF PARTS

 <p>N1 X4</p>	 <p>Q X2</p>		
 <p>T1 X2</p>	 <p>Q1 X2</p>		
 <p>U1 X4</p>	 <p>T2 X2</p>		
 <p>U3 X2</p>	 <p>U4 X2</p>	 <p>P X2</p>	 <p>R1 X8</p>
 <p>S X140</p>	 <p>U5 X8</p>	 <p>U6 X4</p>	 <p>Y2 X1</p>

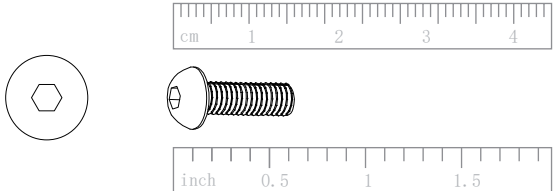
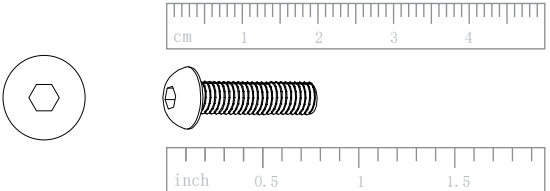
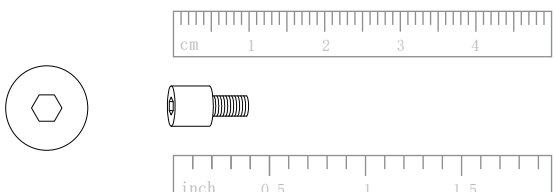
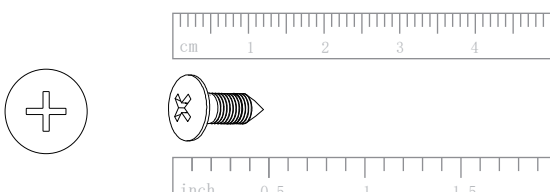
ROOF PARTS

 <p>V1 X2</p>	 <p>V2 X2</p>	 <p>V3 X2</p>	 <p>V4 X2</p>
 <p>V5 X2</p>	 <p>V6 X2</p>	 <p>V7 X2</p>	
 <p>W1 X2</p>	 <p>W2 X2</p>	 <p>W3 X2</p>	 <p>W4 X2</p>
 <p>W8 X2</p>			
 <p>W5 X2</p>	 <p>W6 X2</p>	 <p>W7 X2</p>	 <p>X1 X2</p>  <p>X10 X2</p>

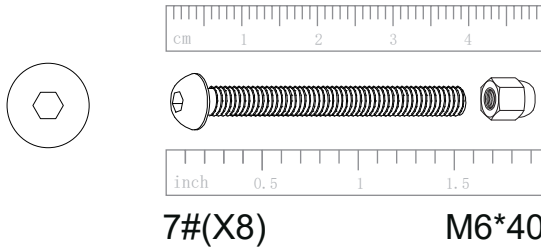
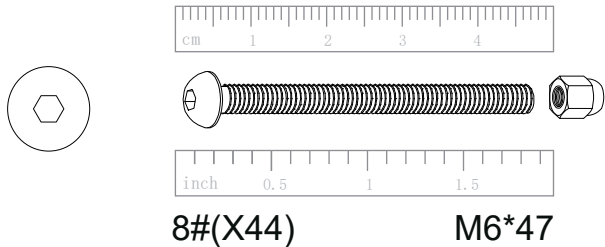
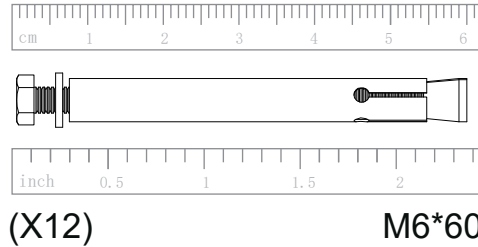
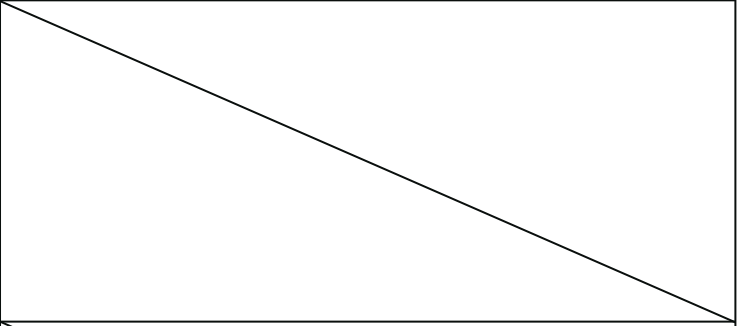
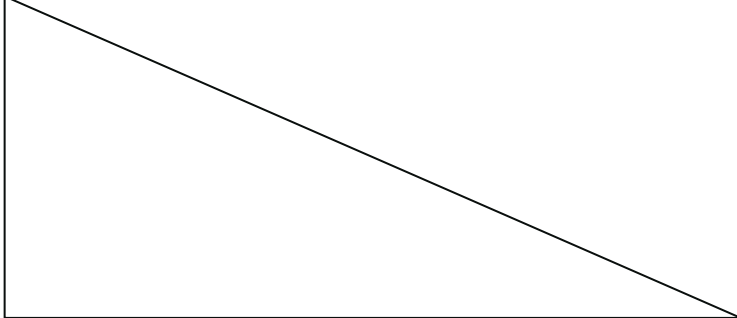
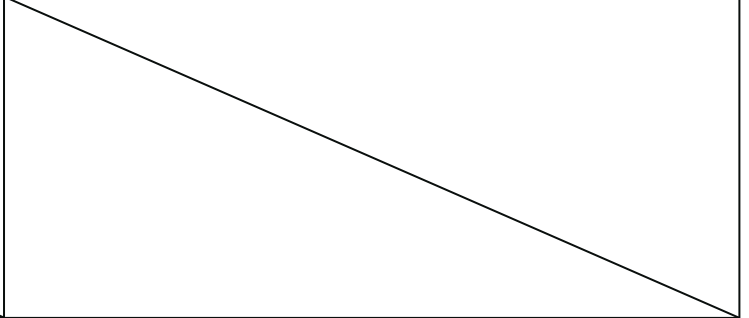
ROOF PARTS

 <p>X2 X2</p>	 <p>X3 X2</p>	 <p>X4 X2</p>	 <p>X5 X2</p>
 <p>X6 X2</p>	 <p>X7 X2</p>	 <p>X8 X2</p>	 <p>X9 X2</p>


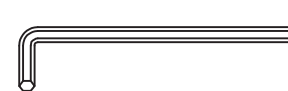
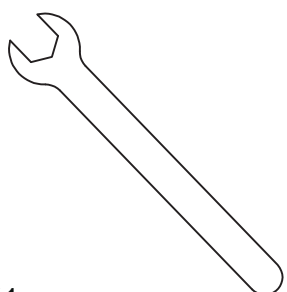
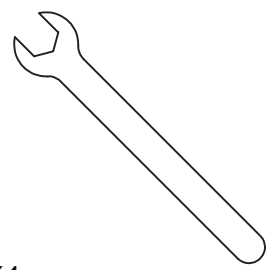
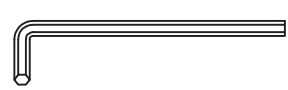
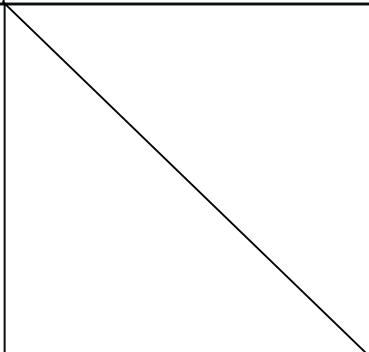
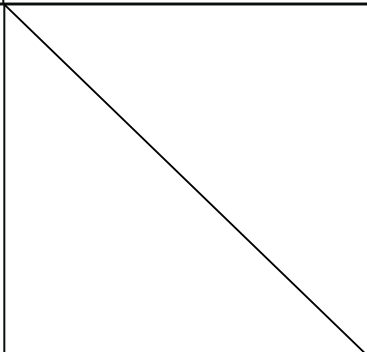
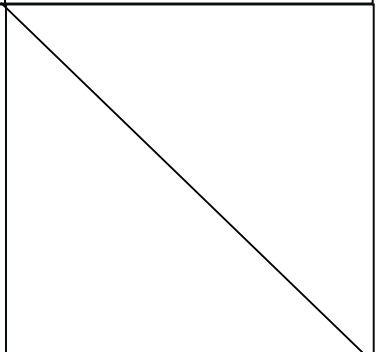
SCREW

 <p>1#(X239) M6*16</p>	 <p>2#(X104) M6*20</p>
 <p>3#(X16) M6*10</p>	 <p>6#(X24) M5*12</p>

SCREW

 <p>7#(X8) M6*40</p>	 <p>8#(X44) M6*47</p>
 <p>(X12) M6*60</p>	
	

TOOL

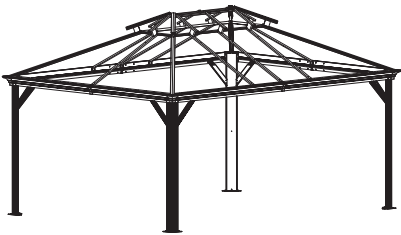
 <p>X1</p>	 <p>X2 S4</p>	 <p>X1</p>	 <p>X1</p>
 <p>X2 S6</p>			

CONTENTS



Bottom frame

09-15
(page)



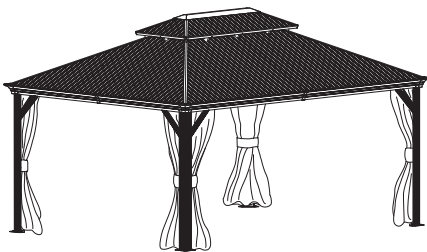
Wall

16-18
(page)



Roof

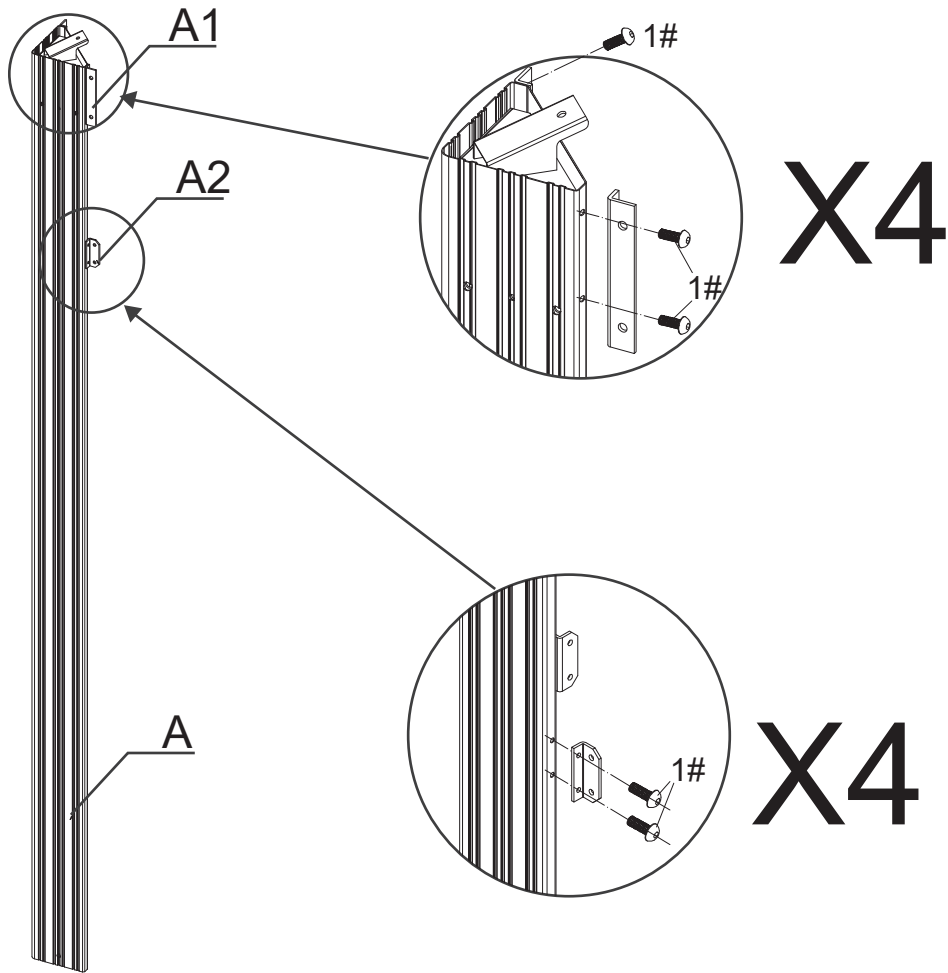
19-23
(page)



Curtain

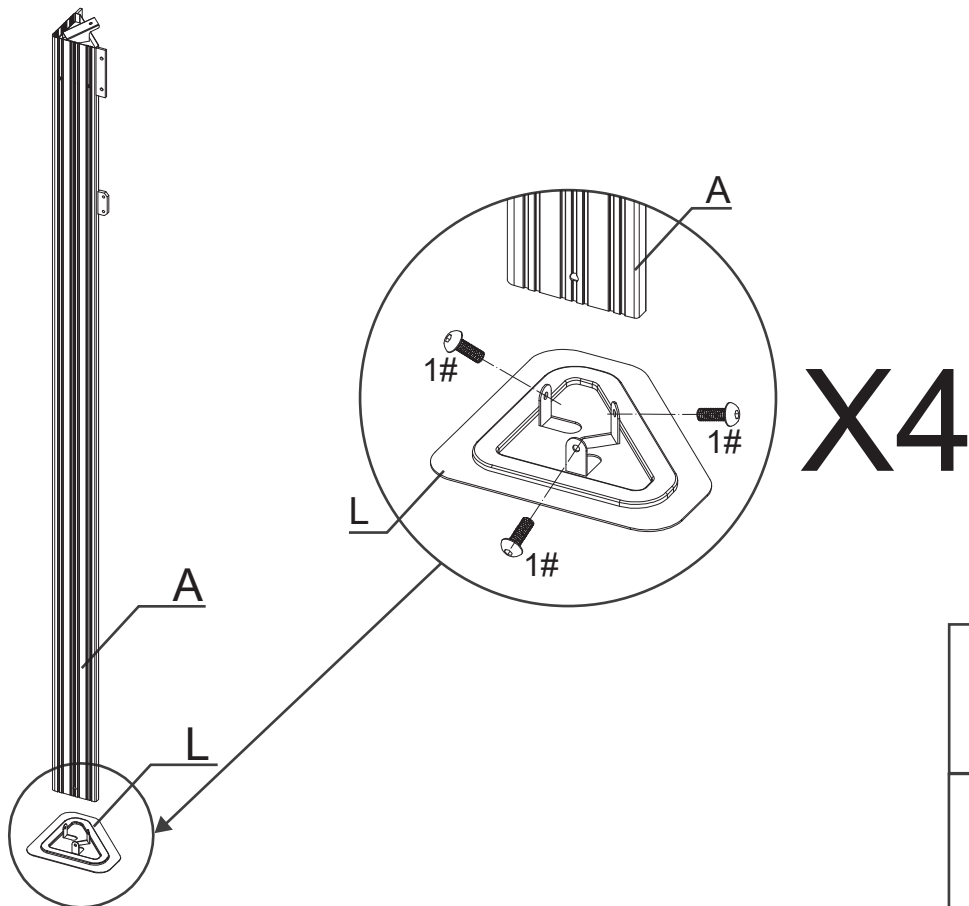
24-26
(page)

STEP 1



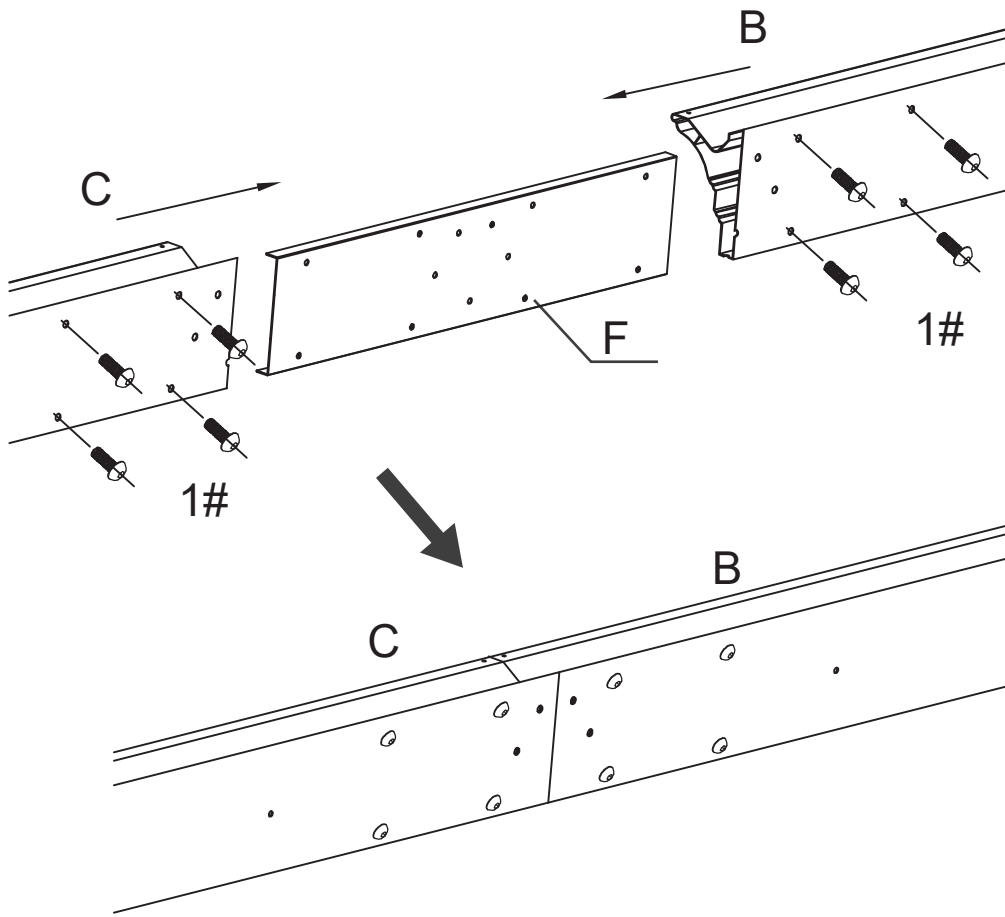
	A X4
	A1 X8
	A2 X8
	1# X32

STEP 2



	L X4
	1# X12

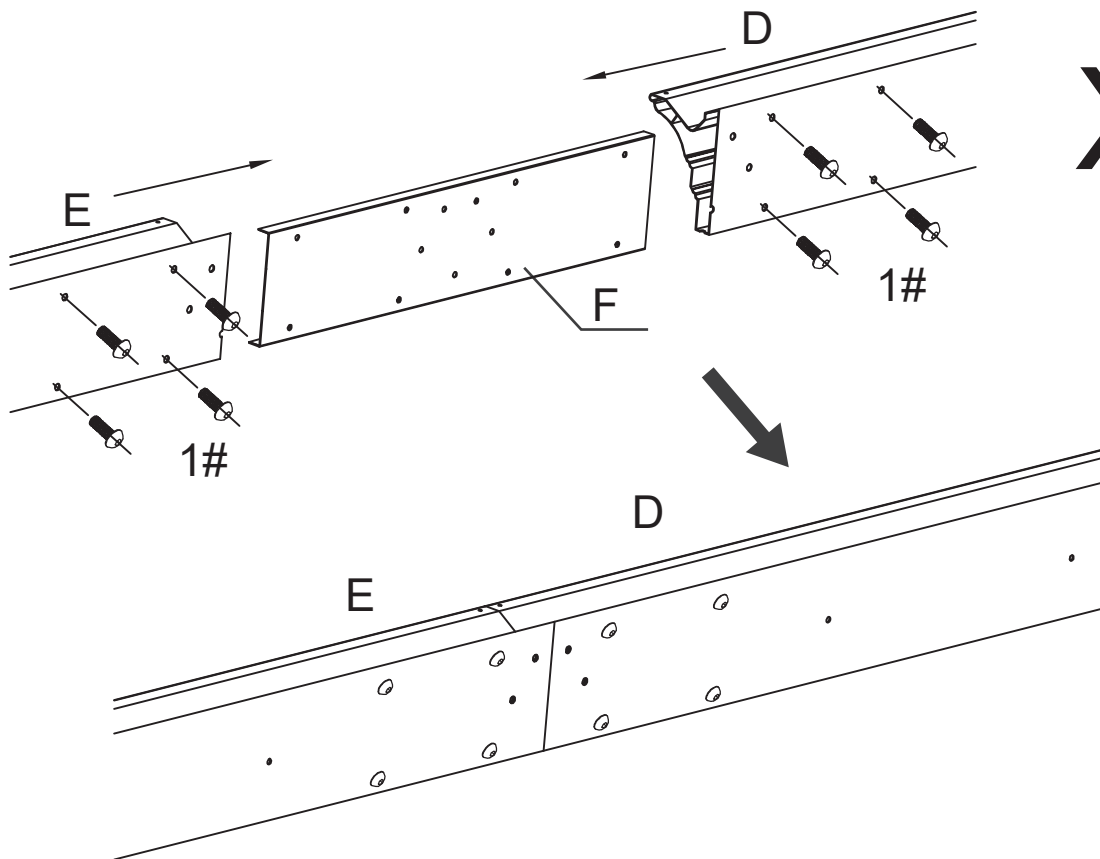
STEP 3



X2

F X2
B X2
C X2
1# X16

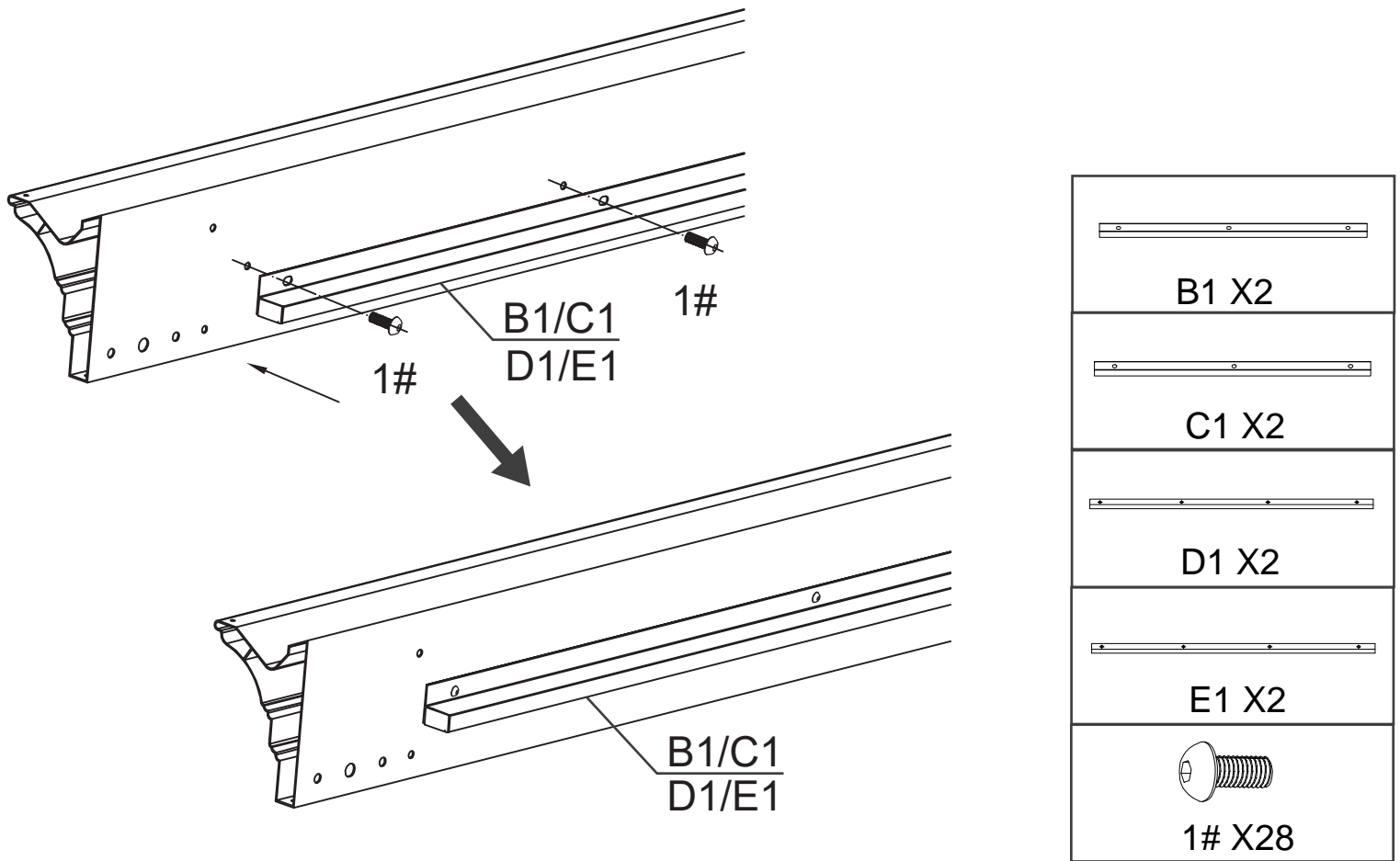
STEP 4



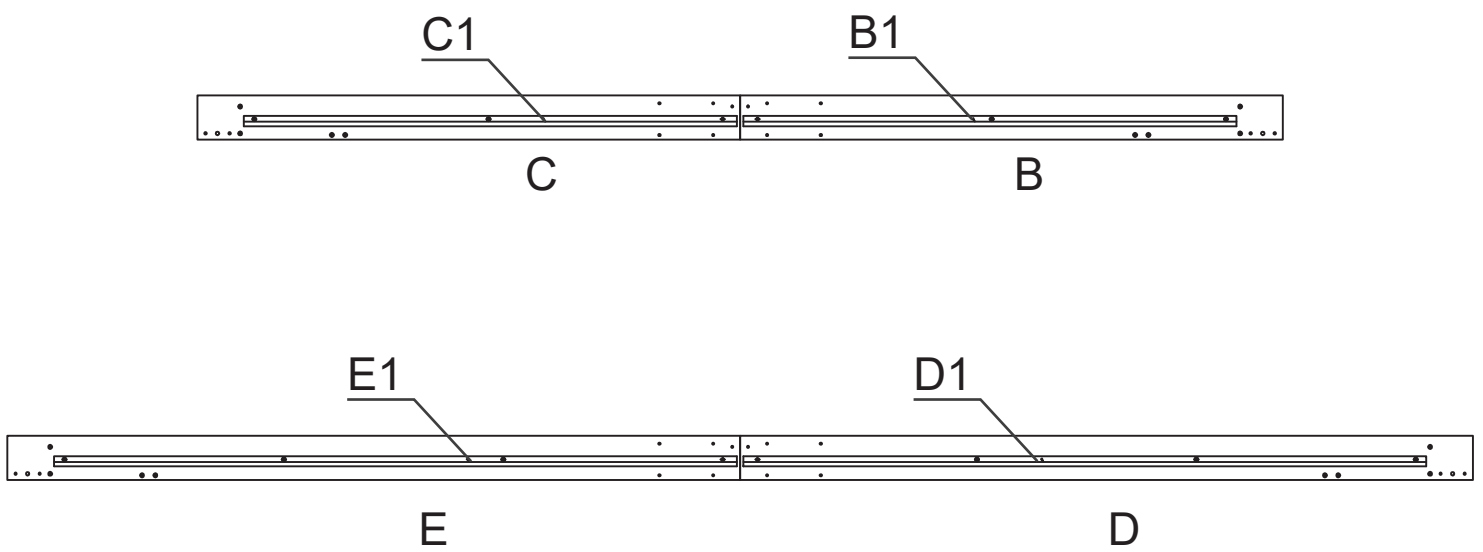
X2

F X2
D X2
E X2
1# X16

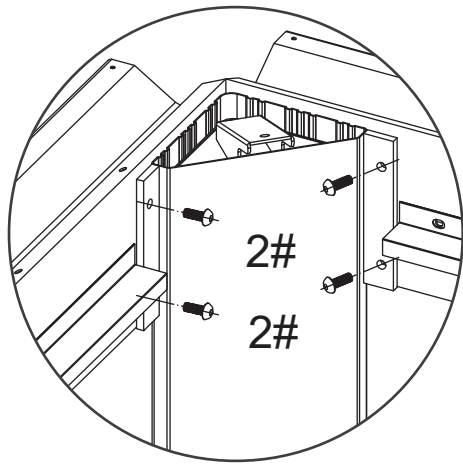
STEP 5



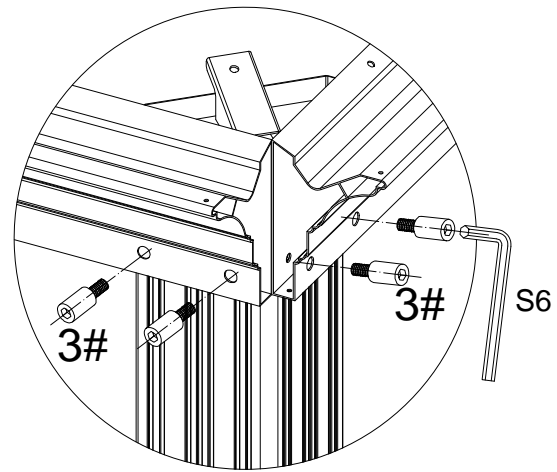
STEP 6



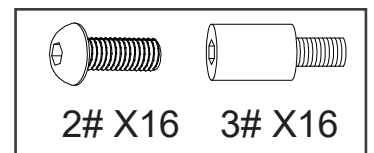
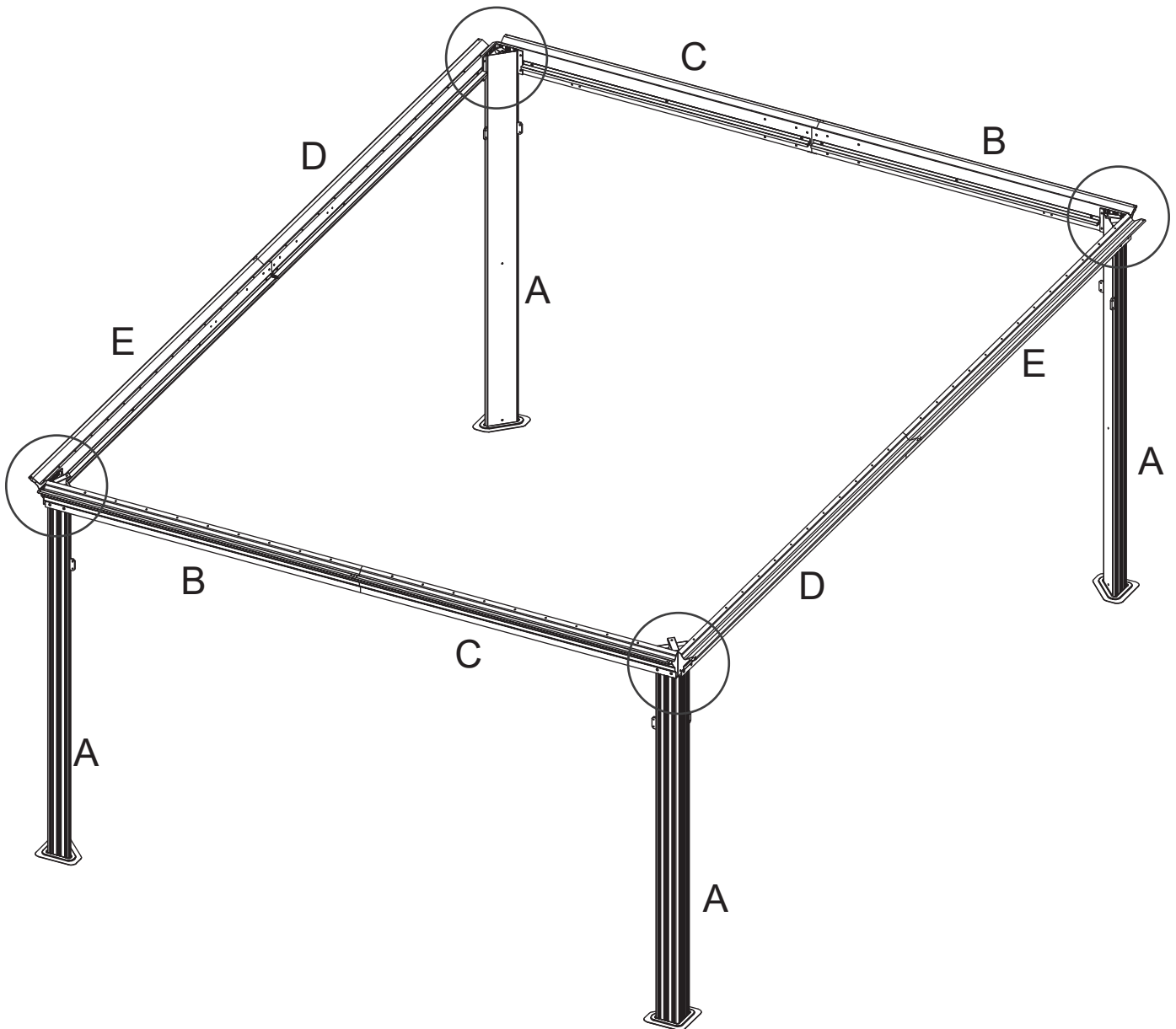
STEP 7



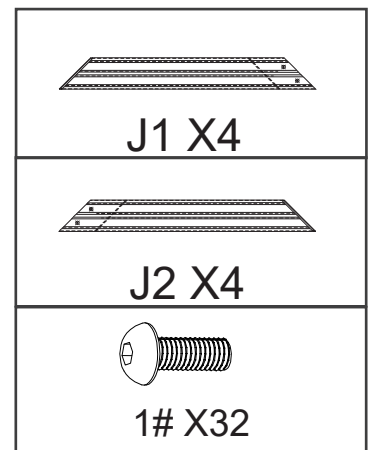
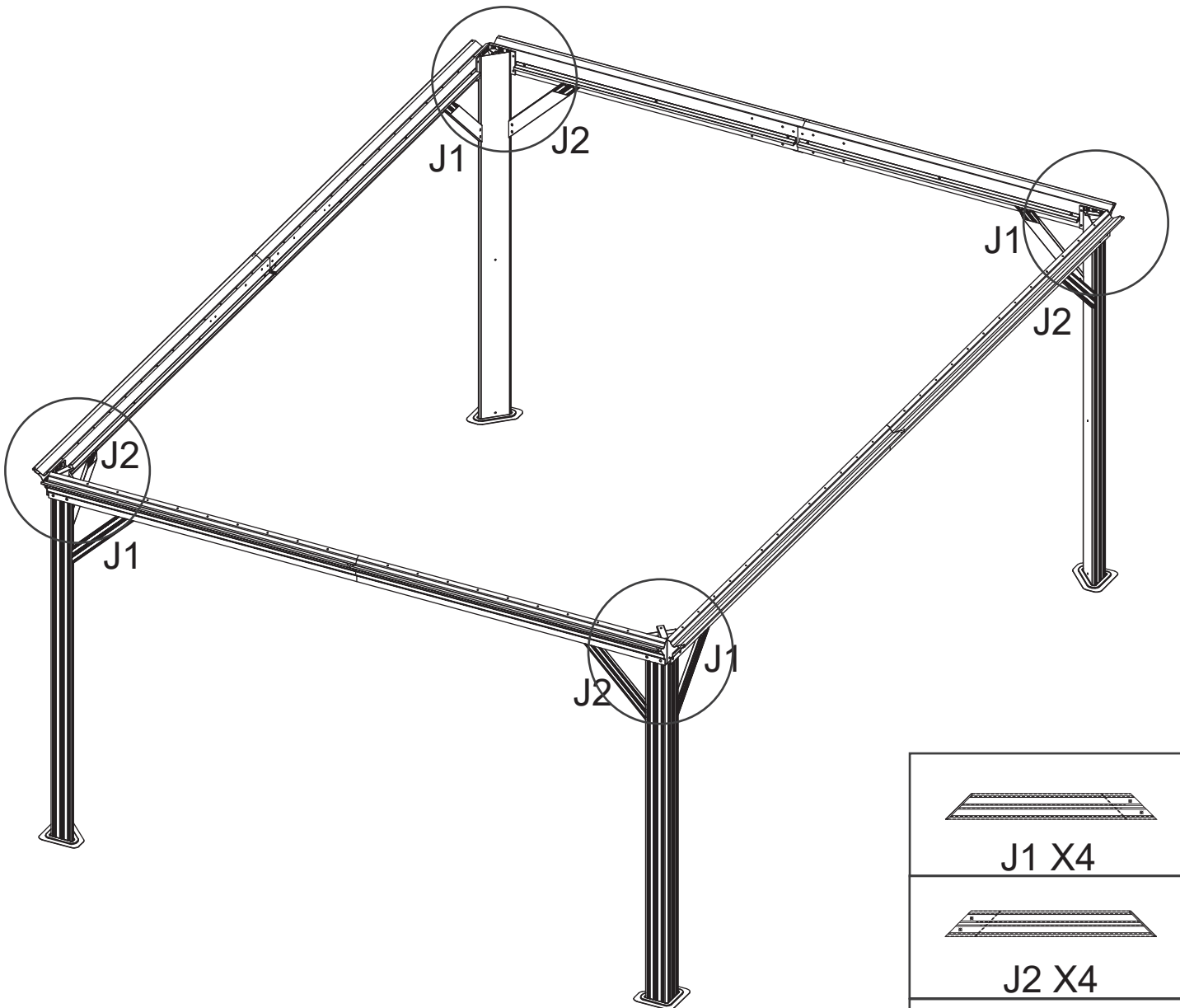
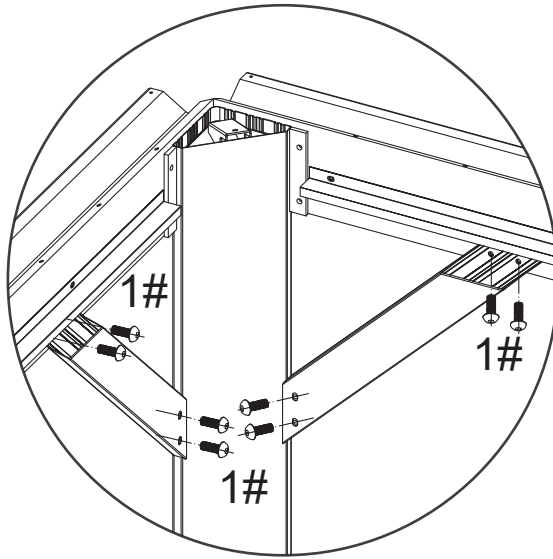
First step



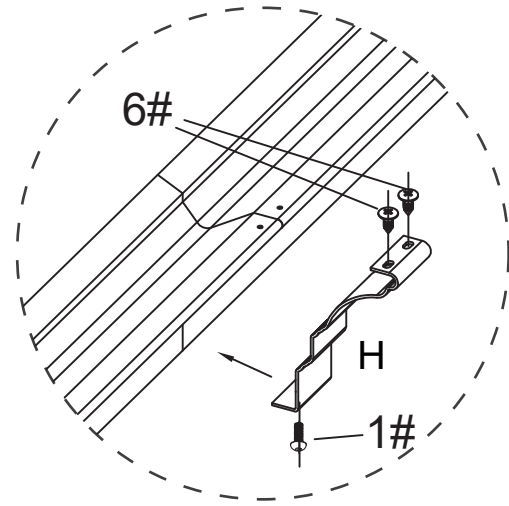
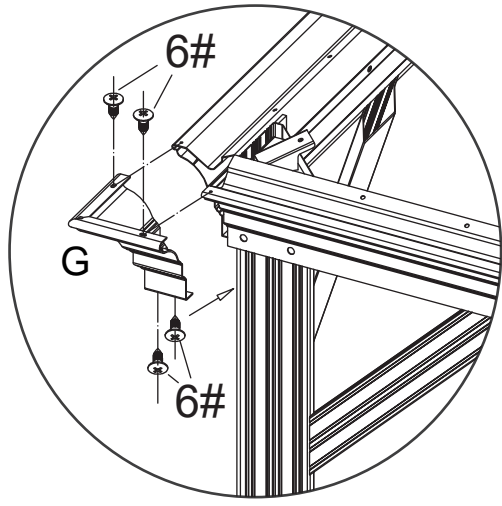
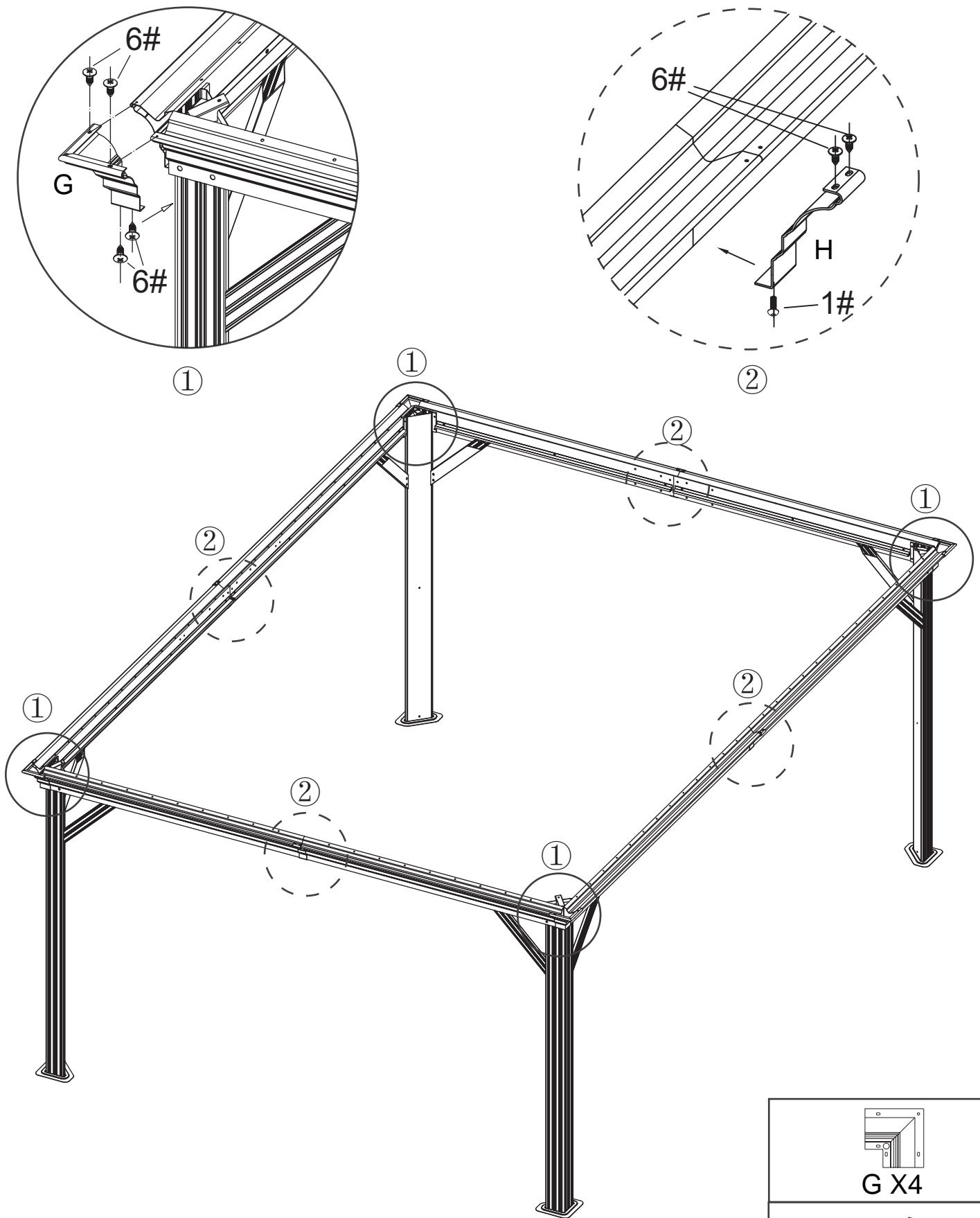
Second step

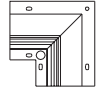
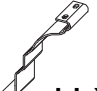
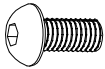
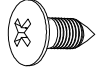


STEP 8

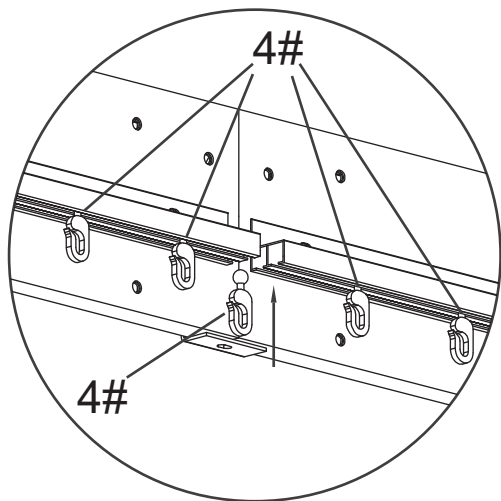
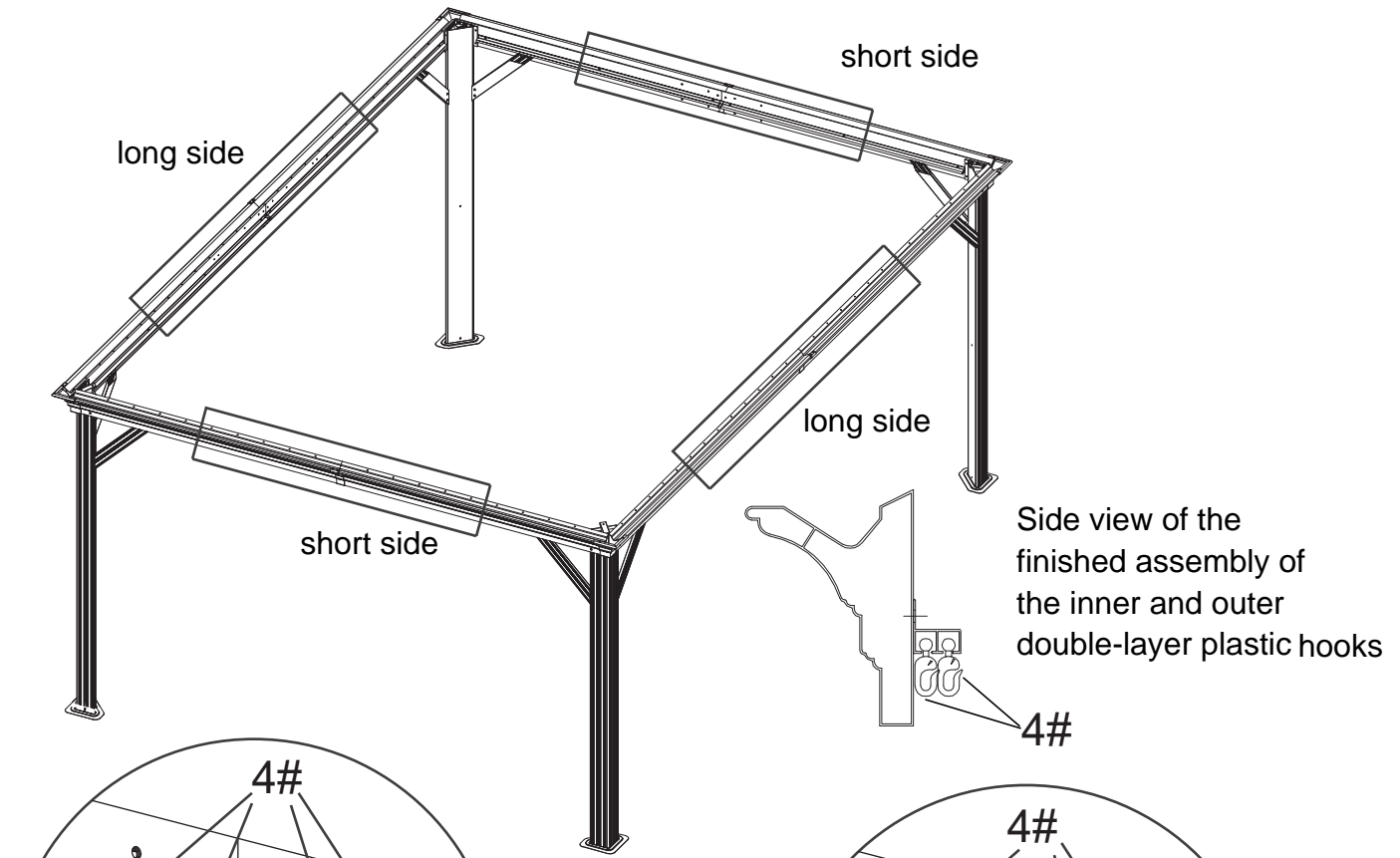


STEP 9

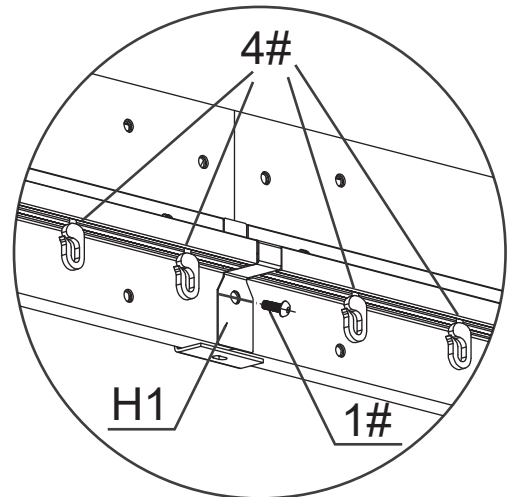


 G X4	
 H X4	
 1# X4	 6# X24

STEP 10

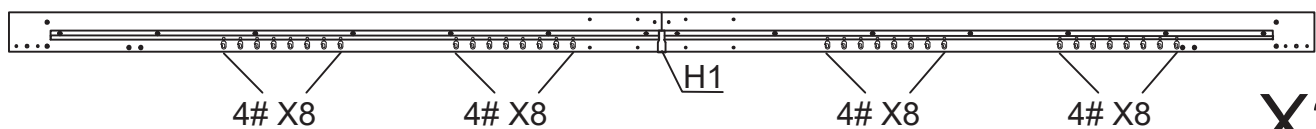
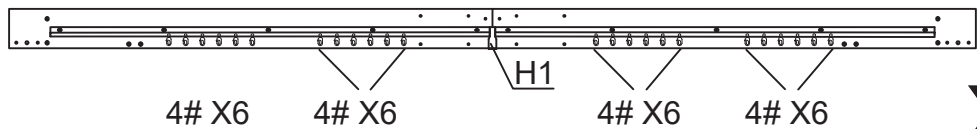


Slide the 4# plastic hook through the center notch into the beam track slot


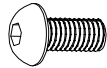



The plastic hooks are distributed evenly according to the following figure and then assembled with the card stickers to prevent the plastic hooks from falling off.

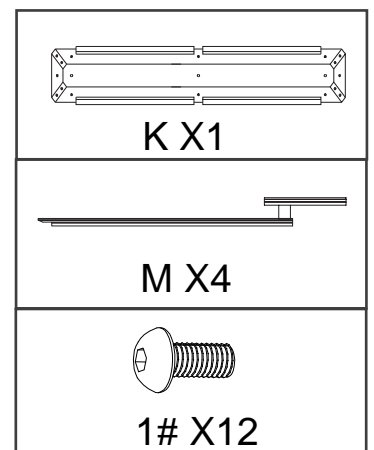
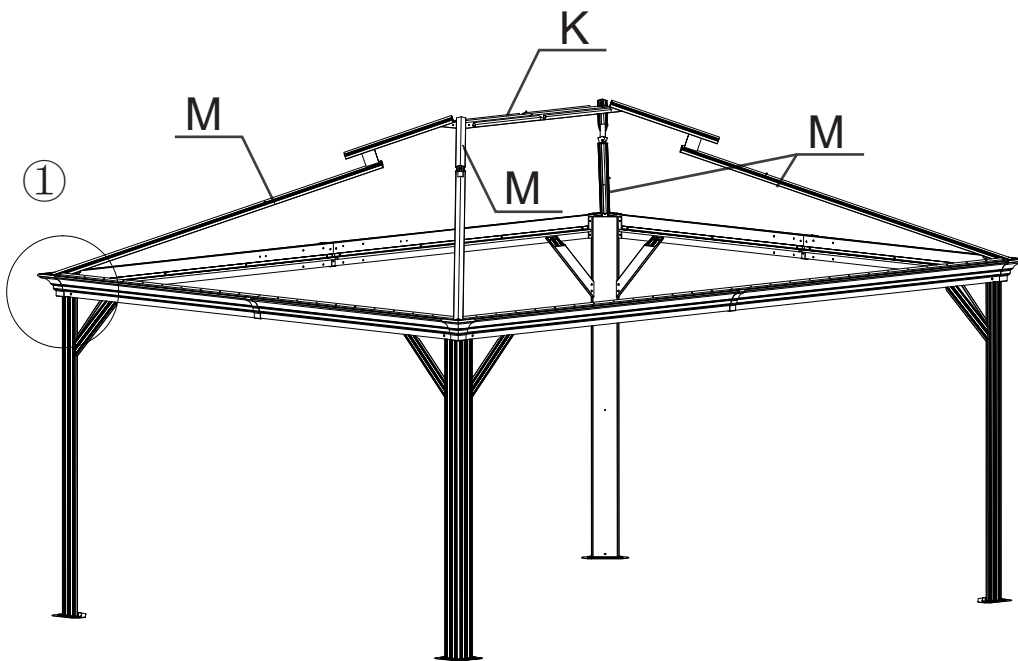
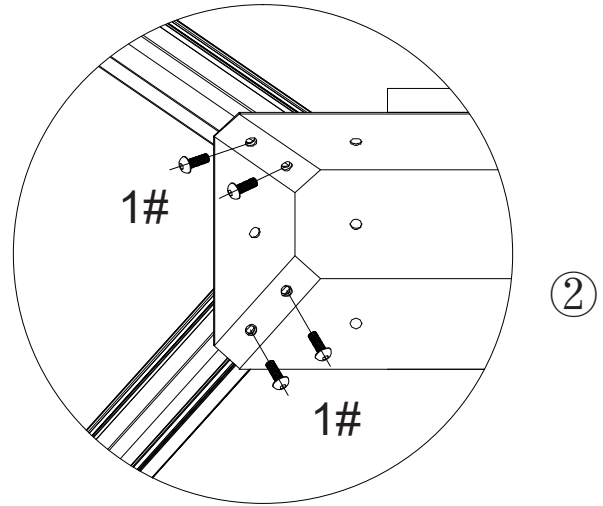
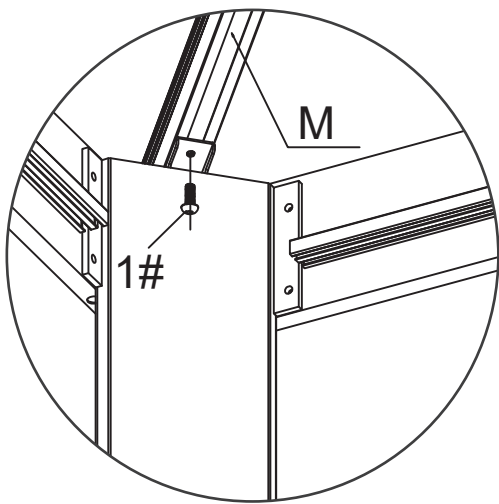
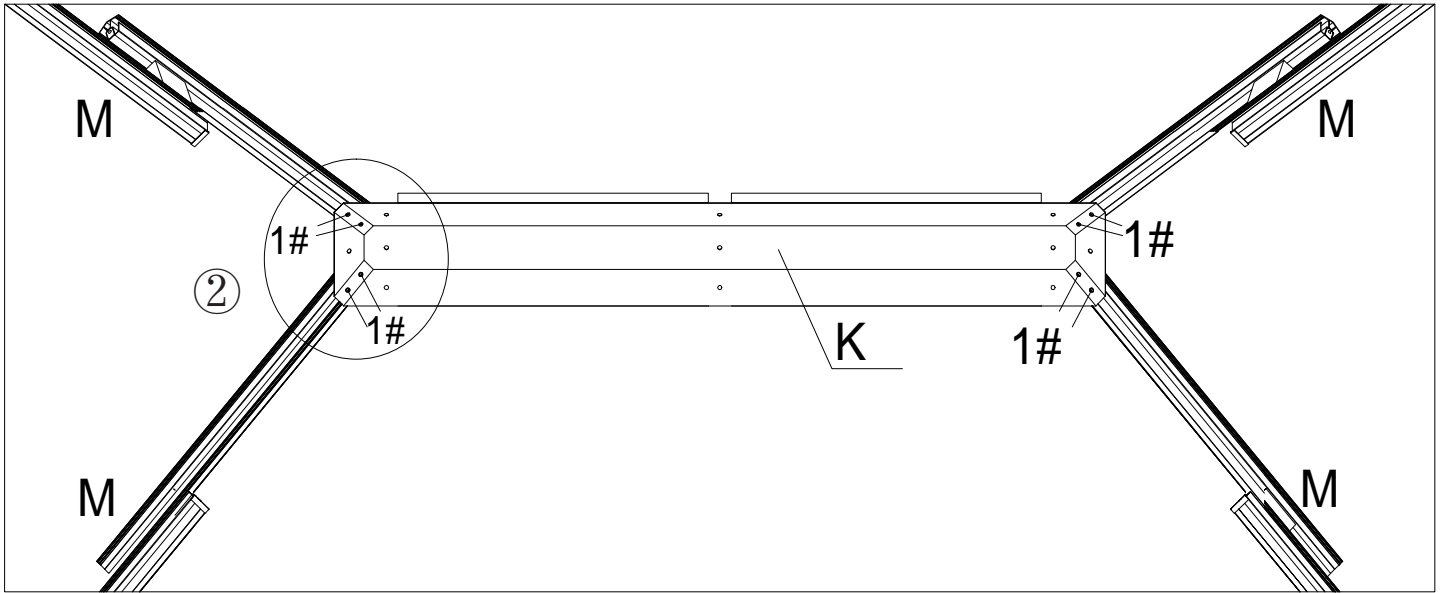
Assigned number of short side double plastic hooks



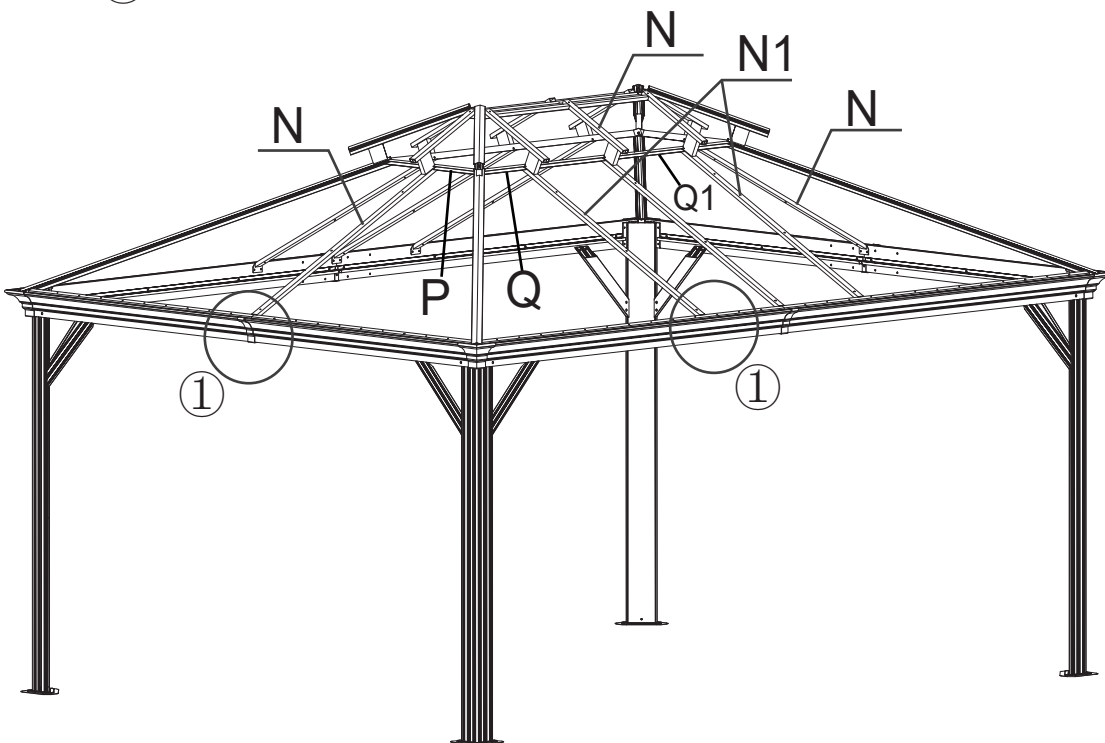
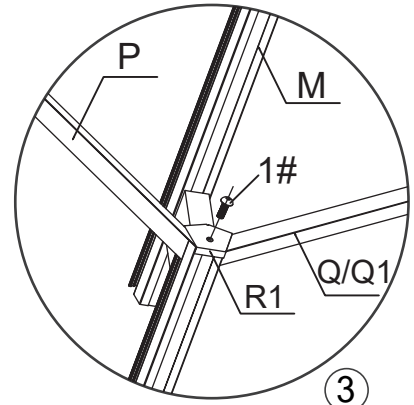
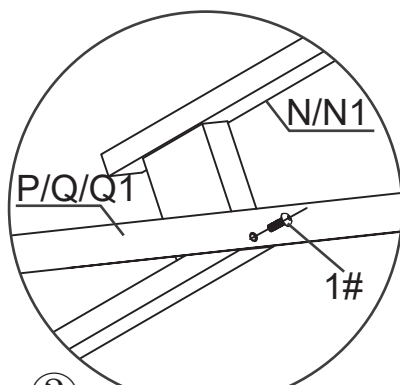
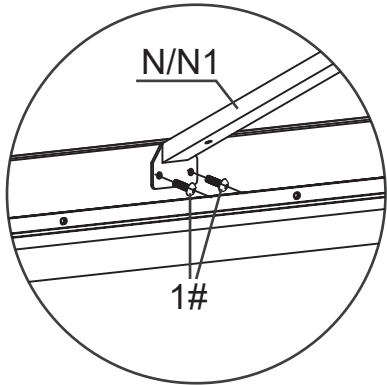
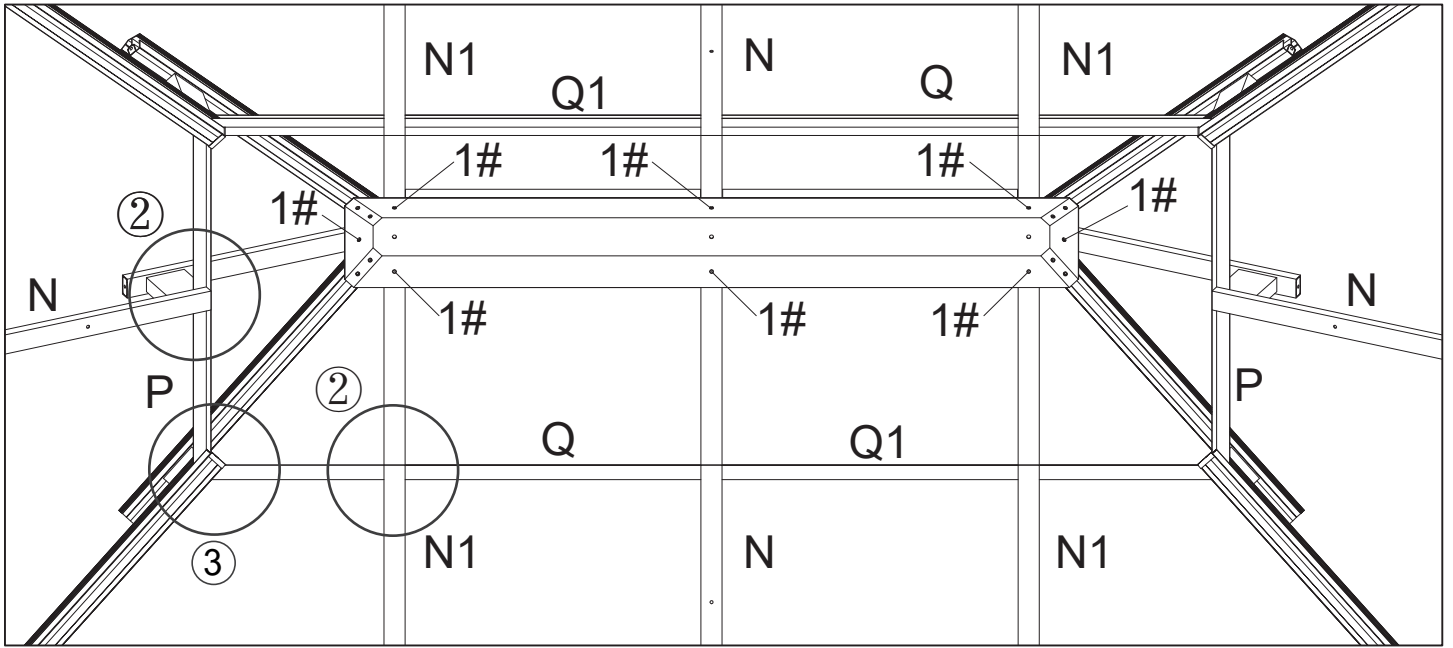
Assigned number of long side double plastic hooks

 <p>H1 X4</p>	  <p>1# X4 4# X112</p>
--	---

STEP 11

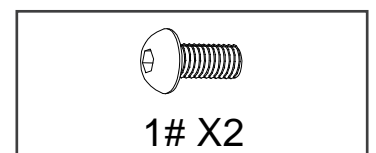
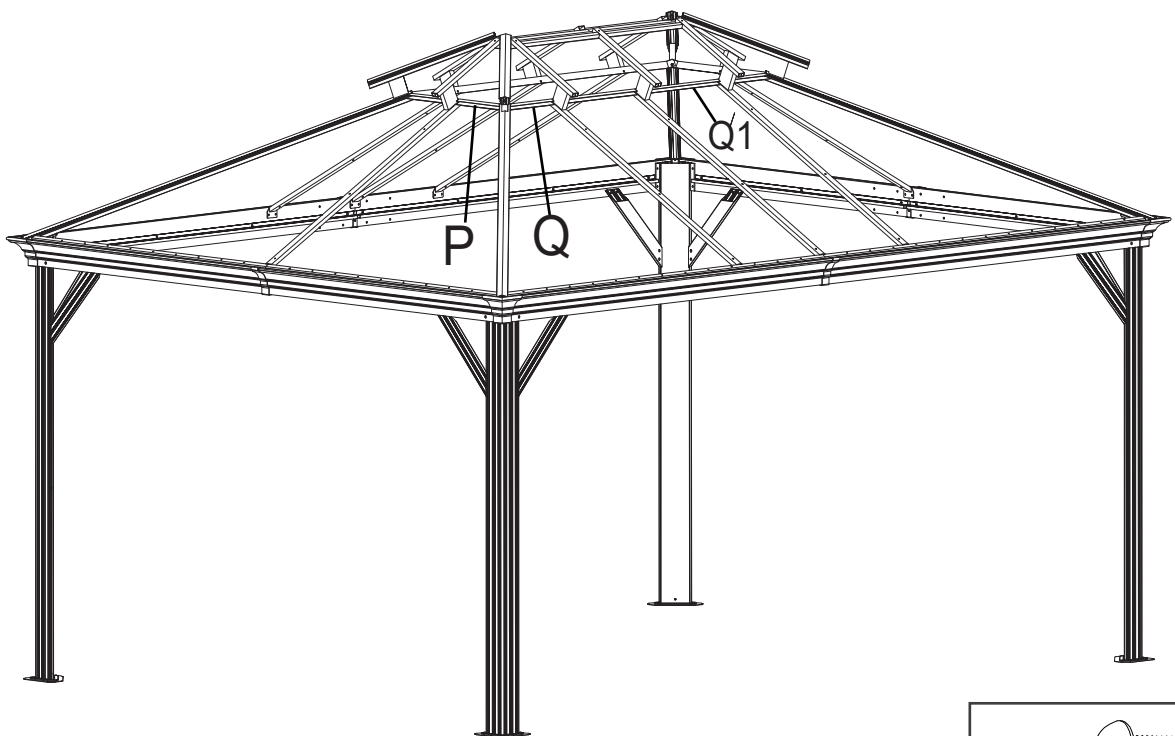
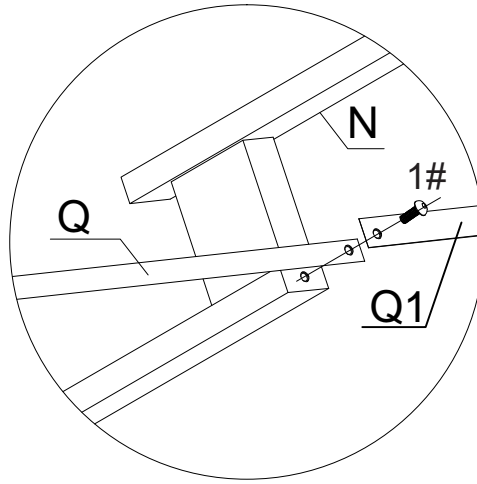
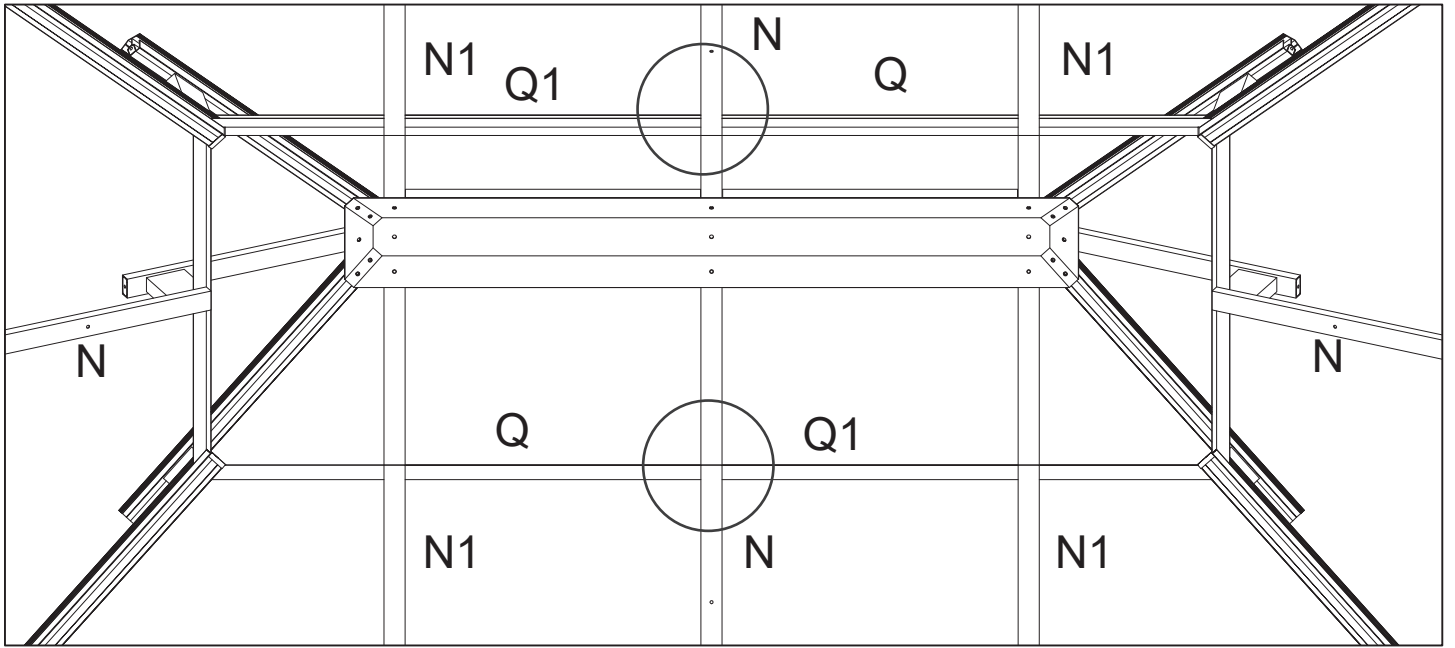


STEP 12

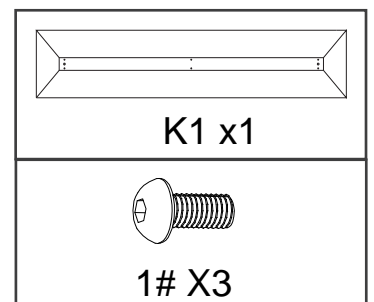
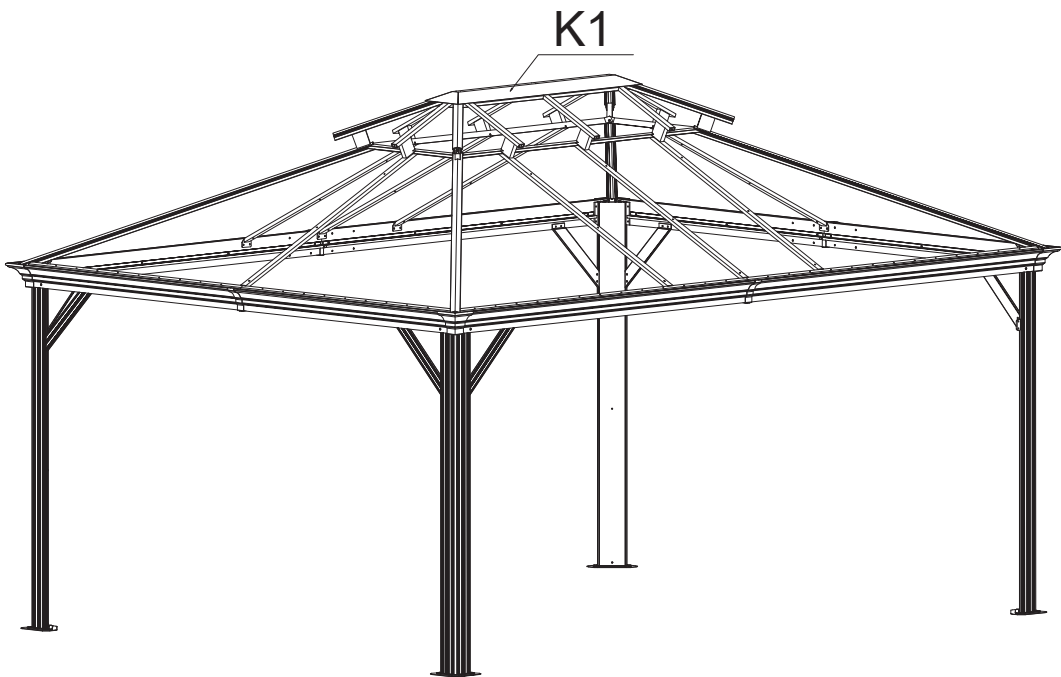
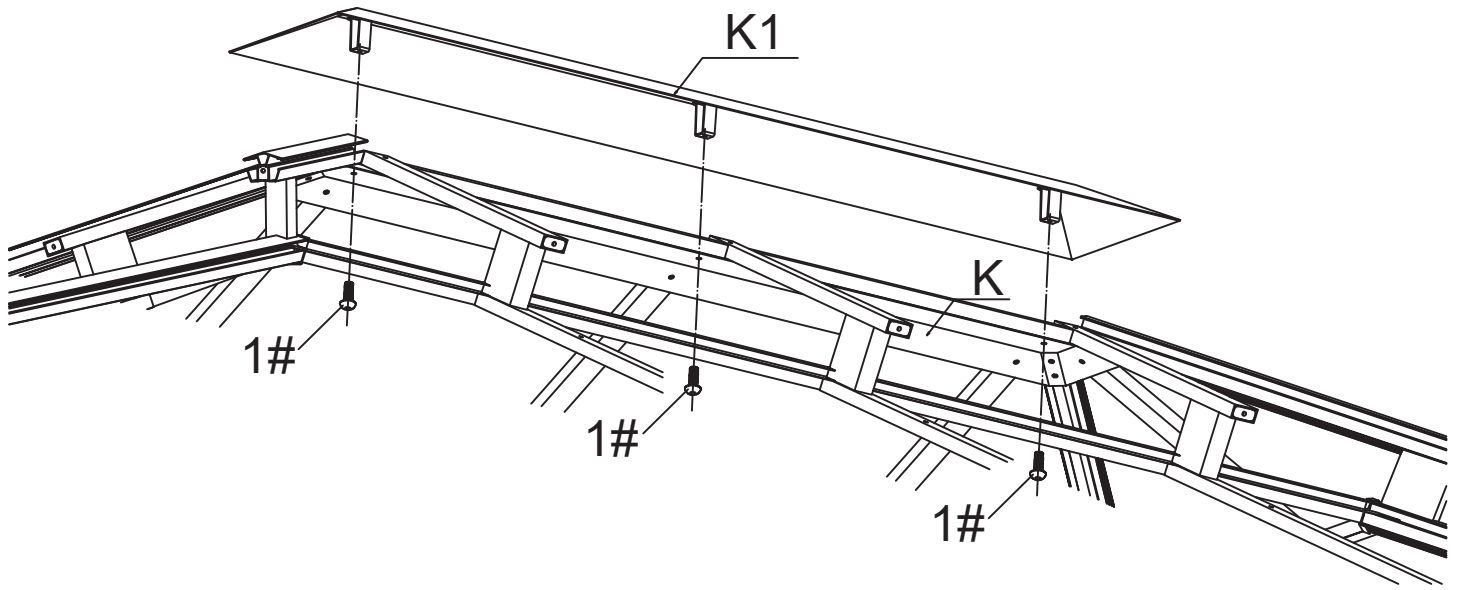


	N1 X4
	N X4
	Q X2
	Q1 X2
	P X2
	R1 X4
	1# X34

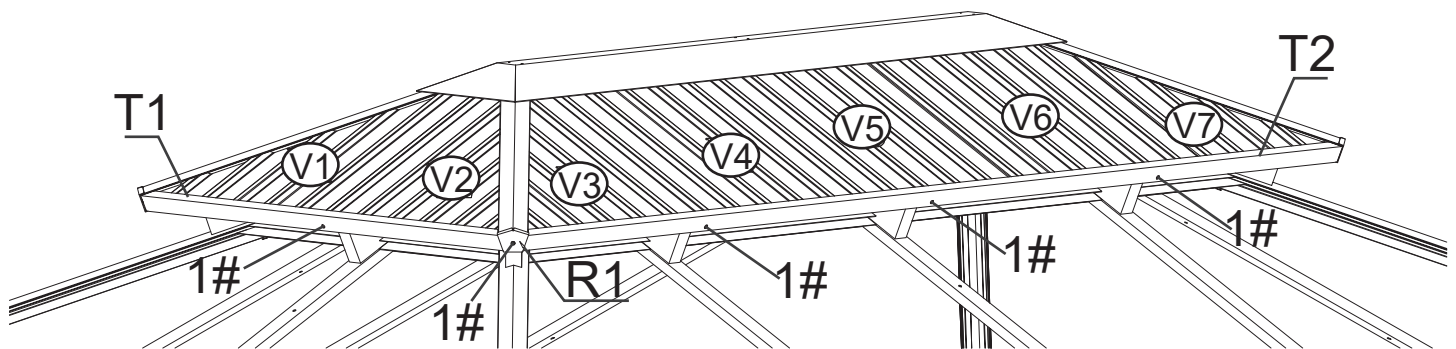
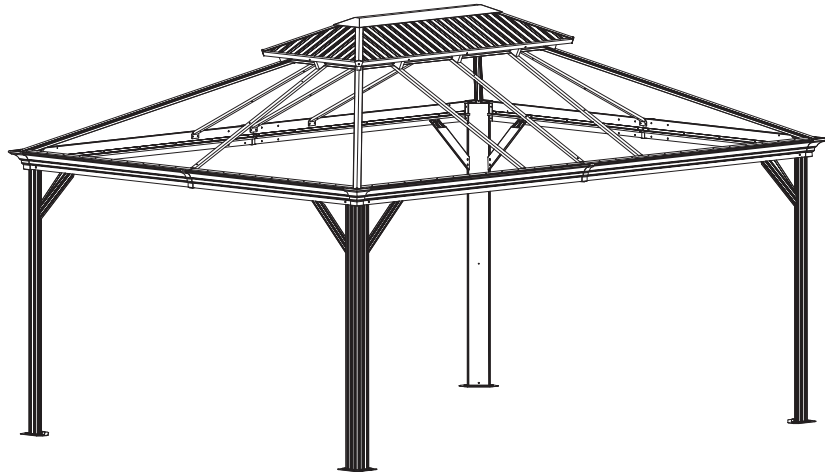
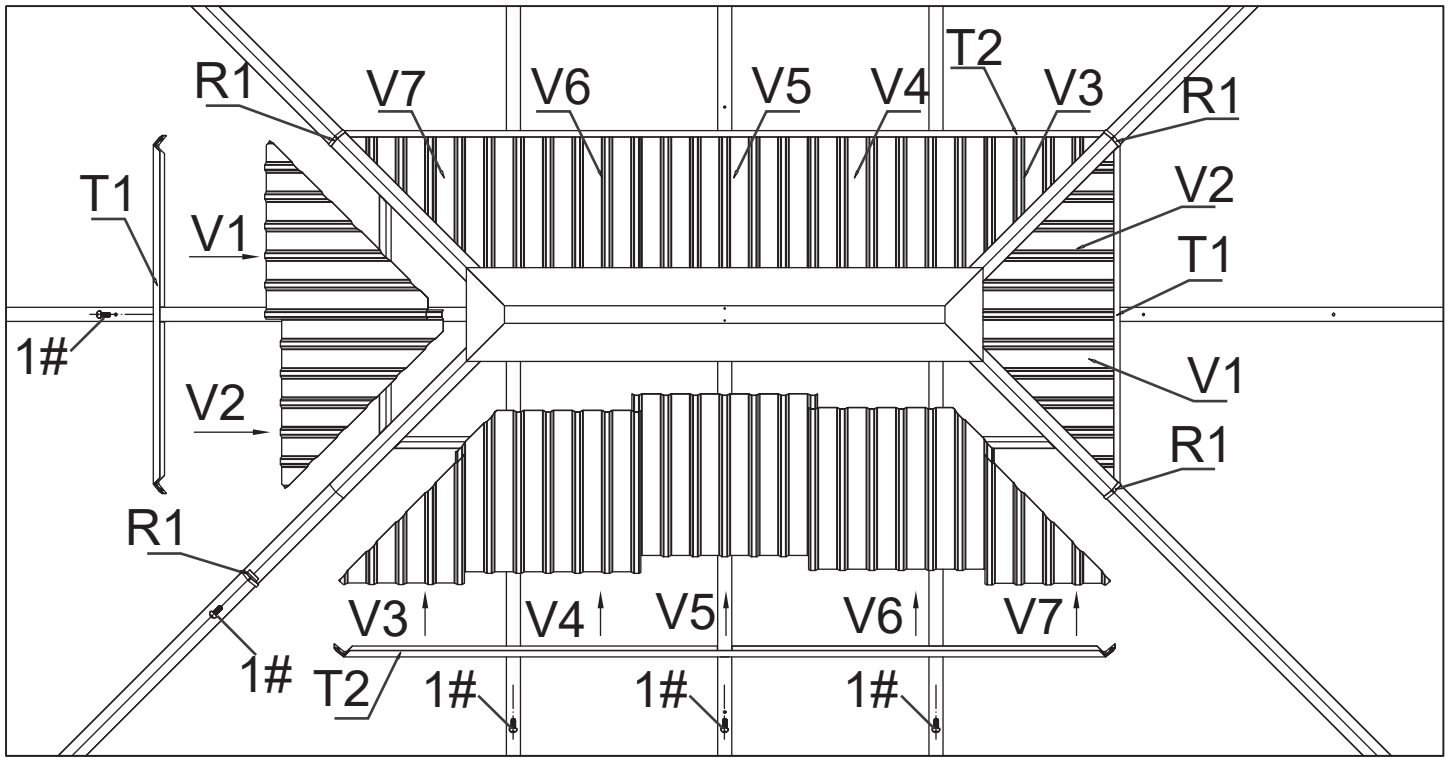
STEP 13


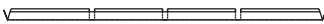

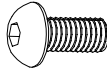


STEP 14

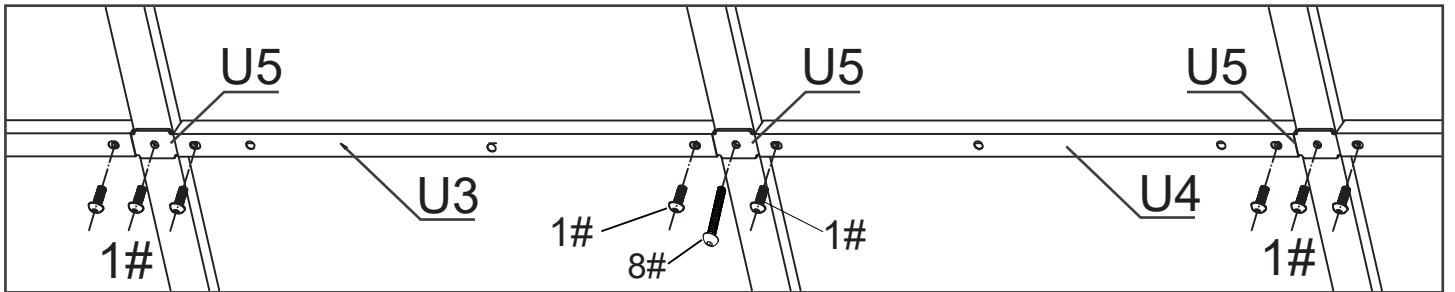
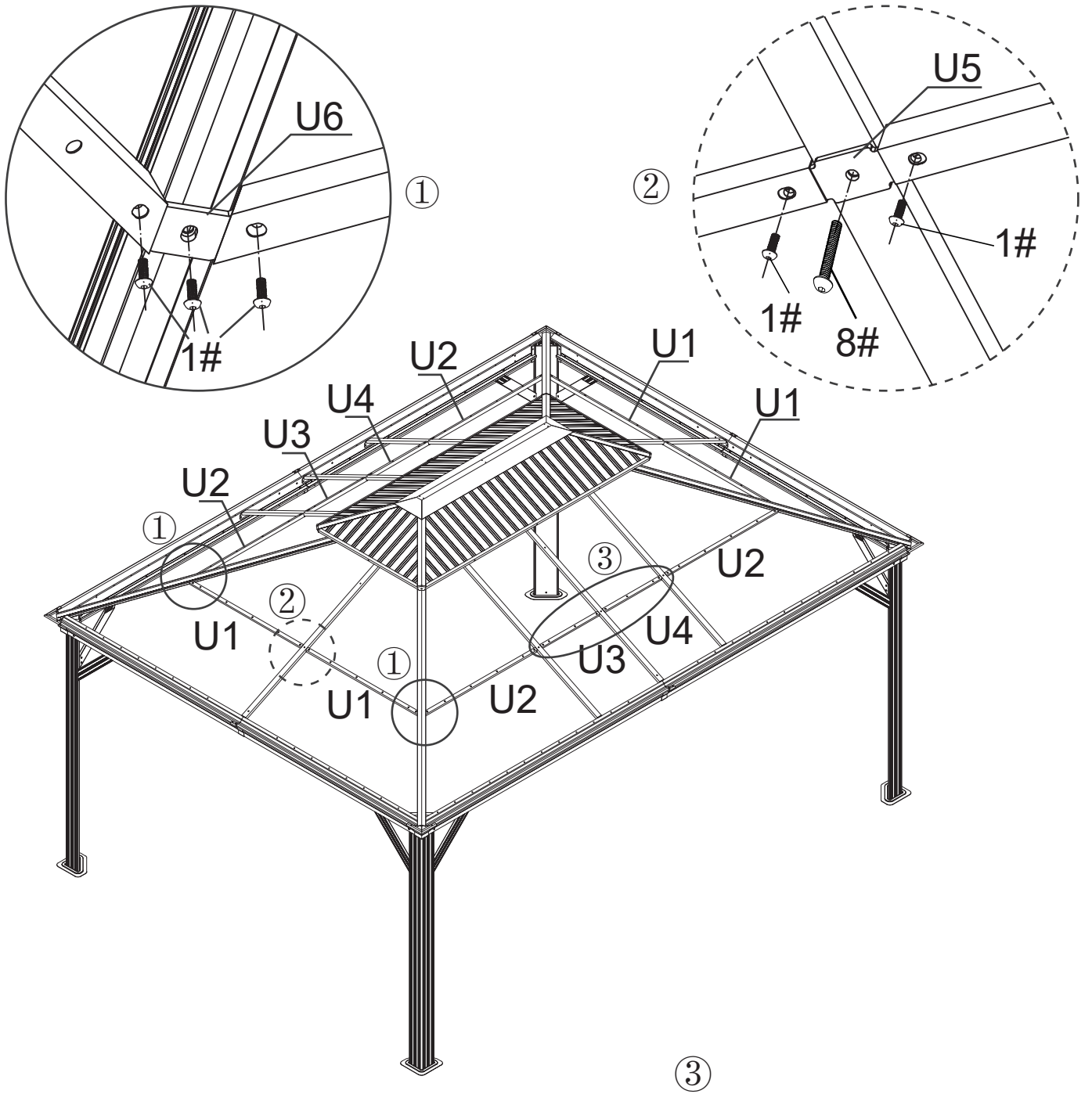


STEP 15



 R1 X4	 T2 x2
	 T1 x2
	 1# X12

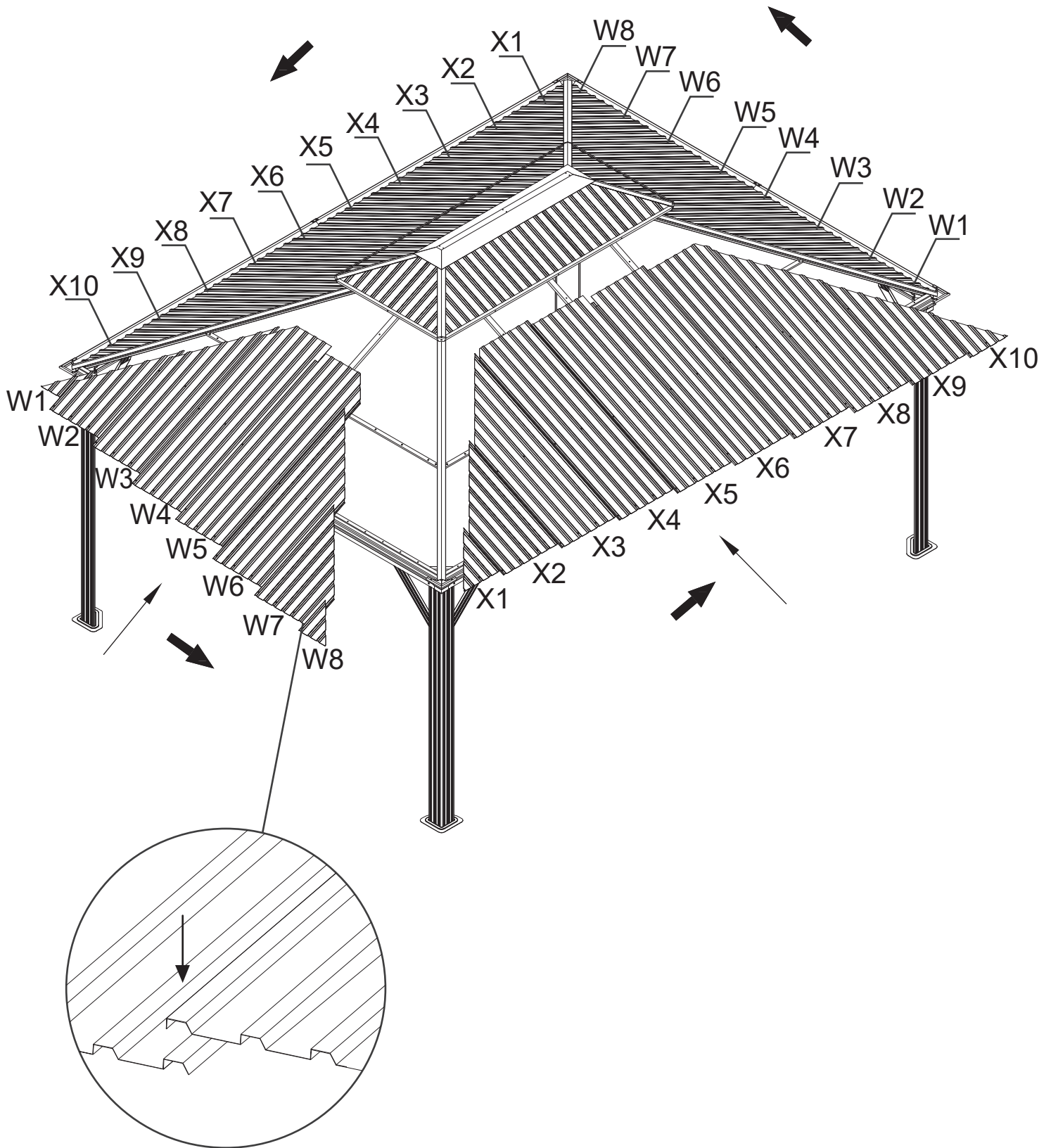
STEP 16



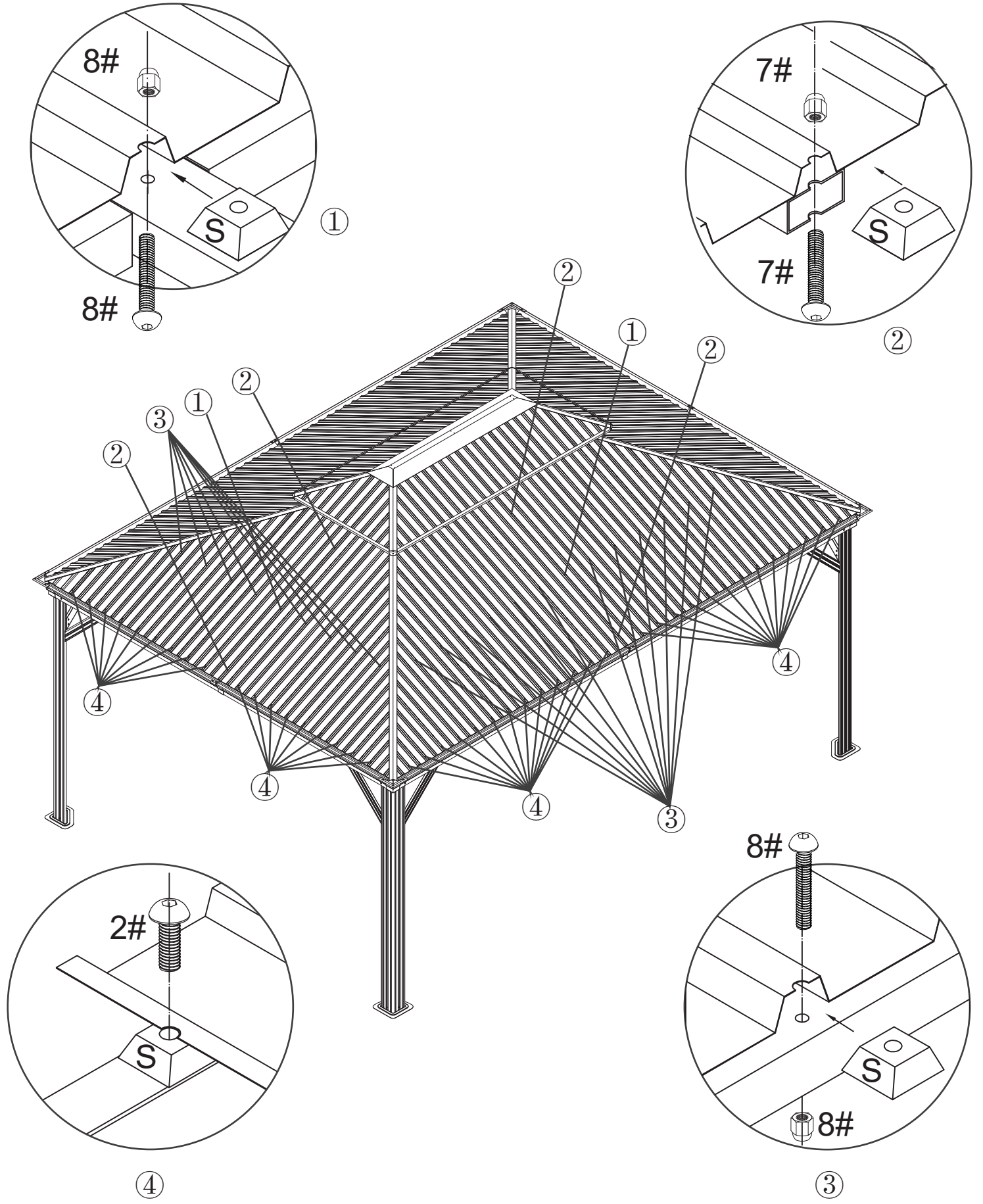
U1 X4	U2 x4
U3 X2	U4 x2

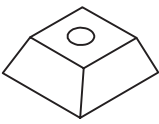
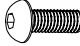


U5 X8	U6 x4
8# X4	1# X32

STEP 17

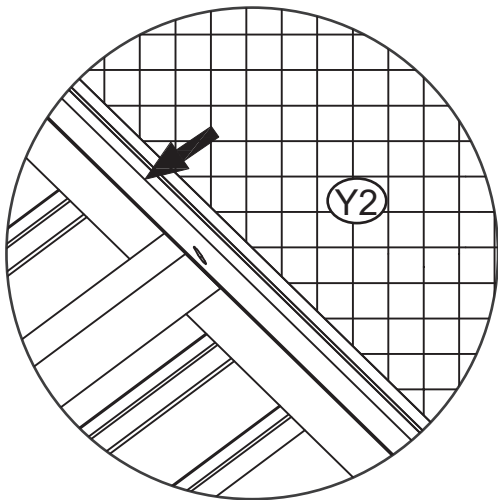
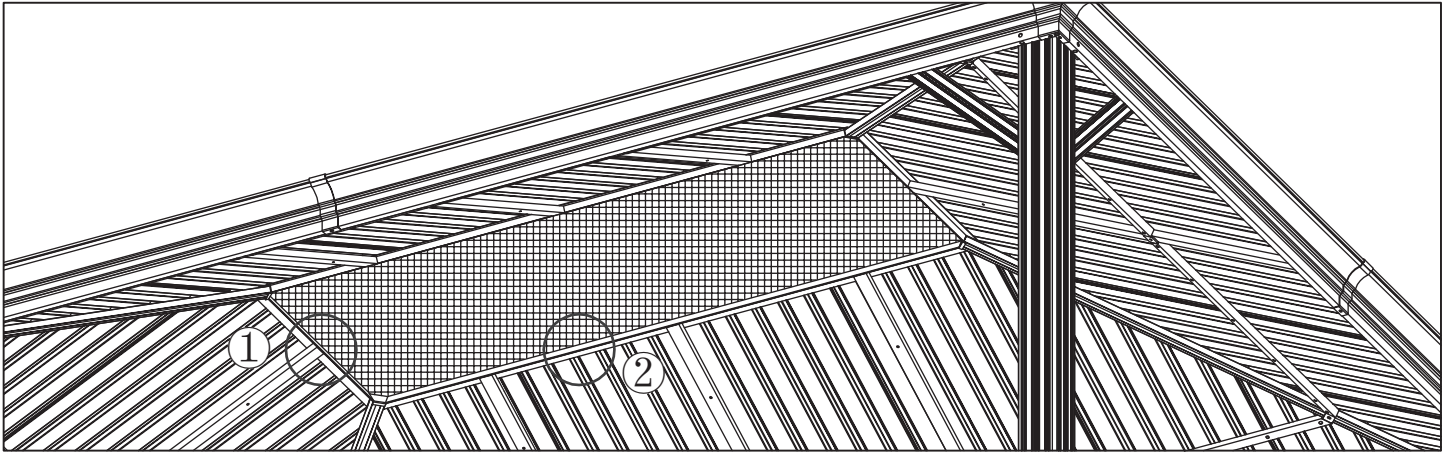


STEP 18

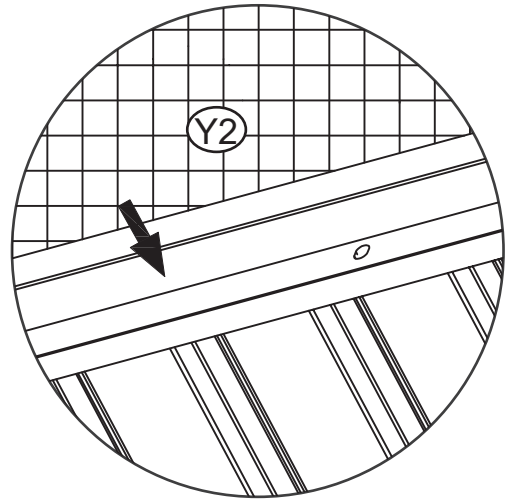


 <p>S X140</p>	   <p>2# X88 7# X8 8# X40</p>
---	---

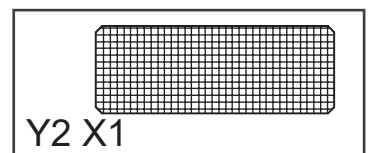
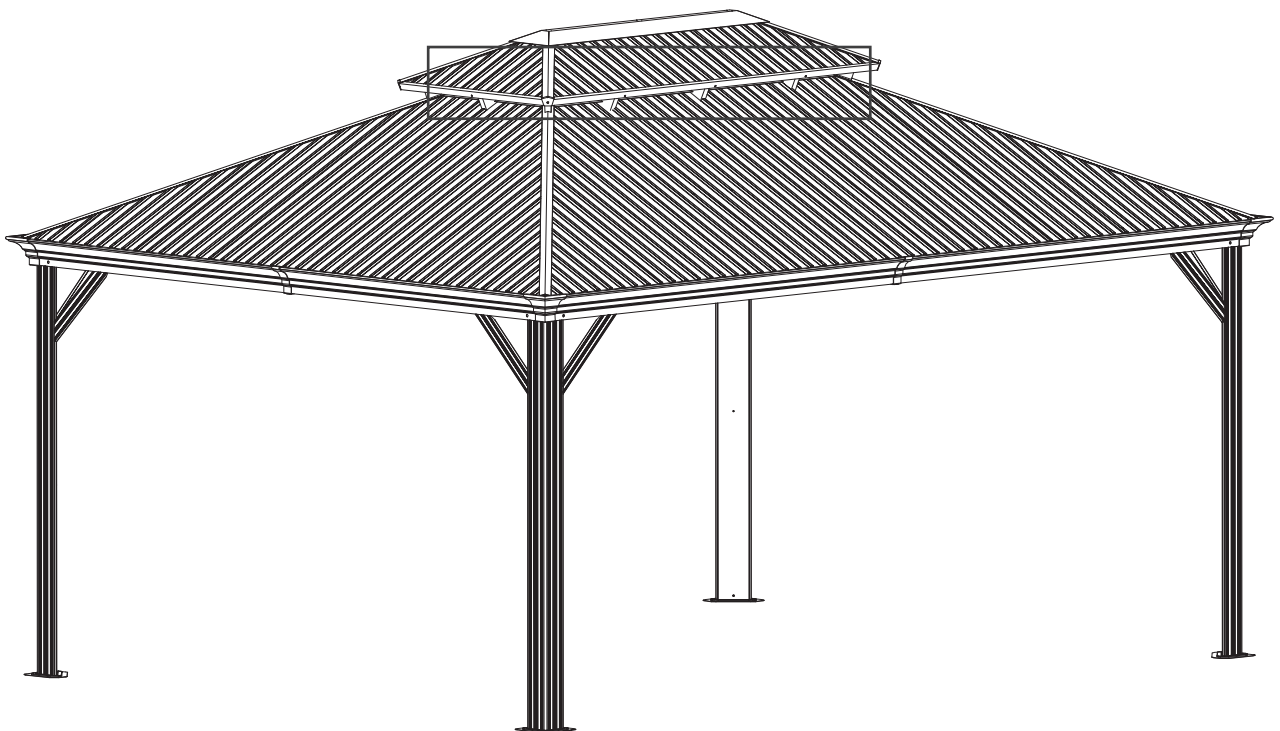
STEP 19



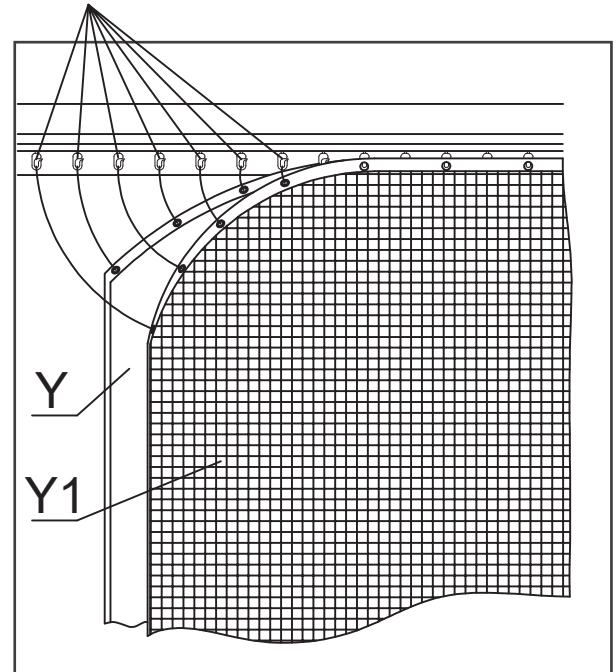
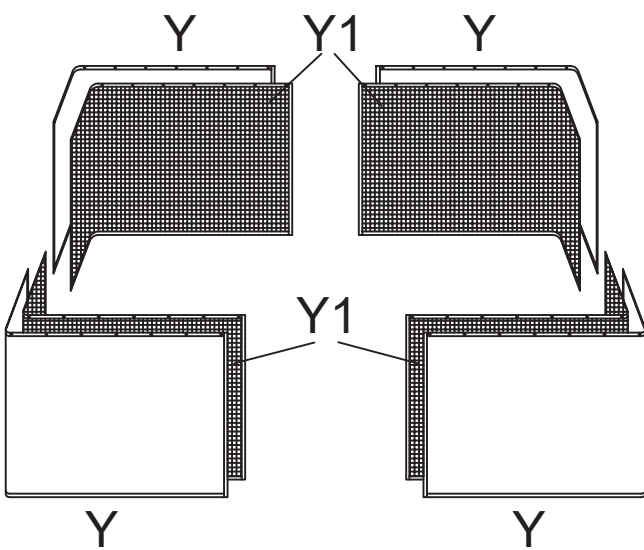
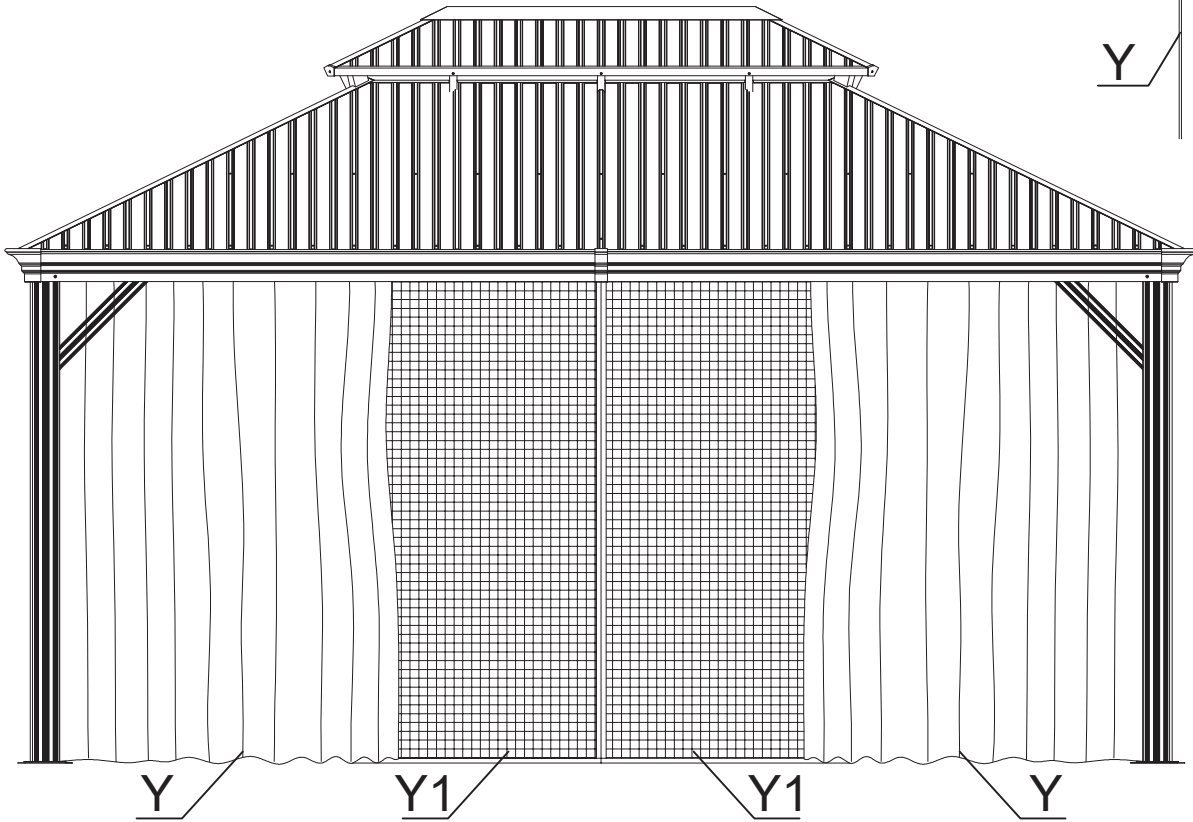
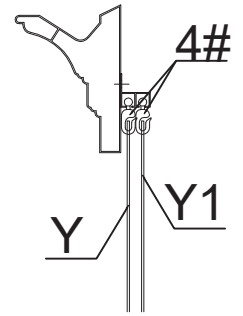
①



②



STEP 20



Please note the mounting position, Y is near the outside of the product and Y1 is near the inside of the product.

