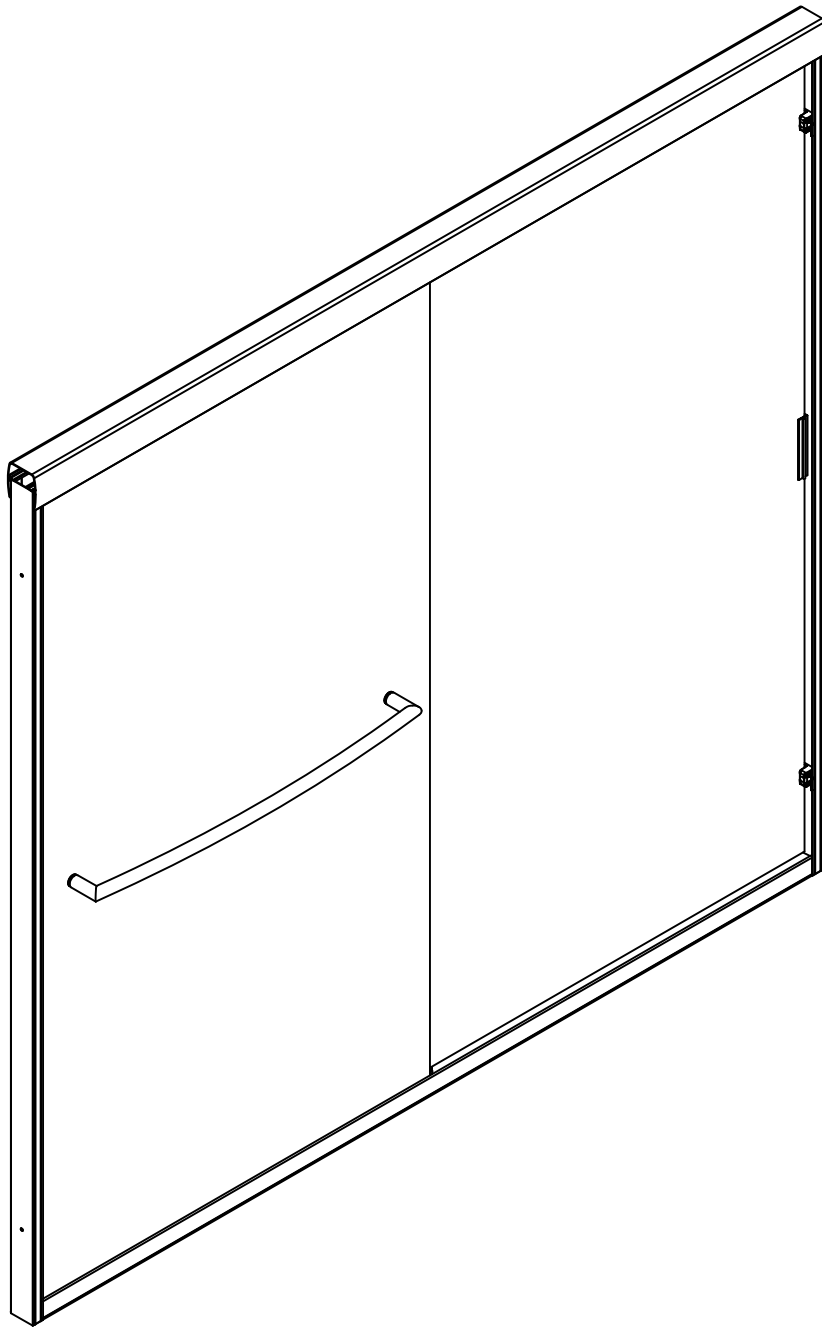
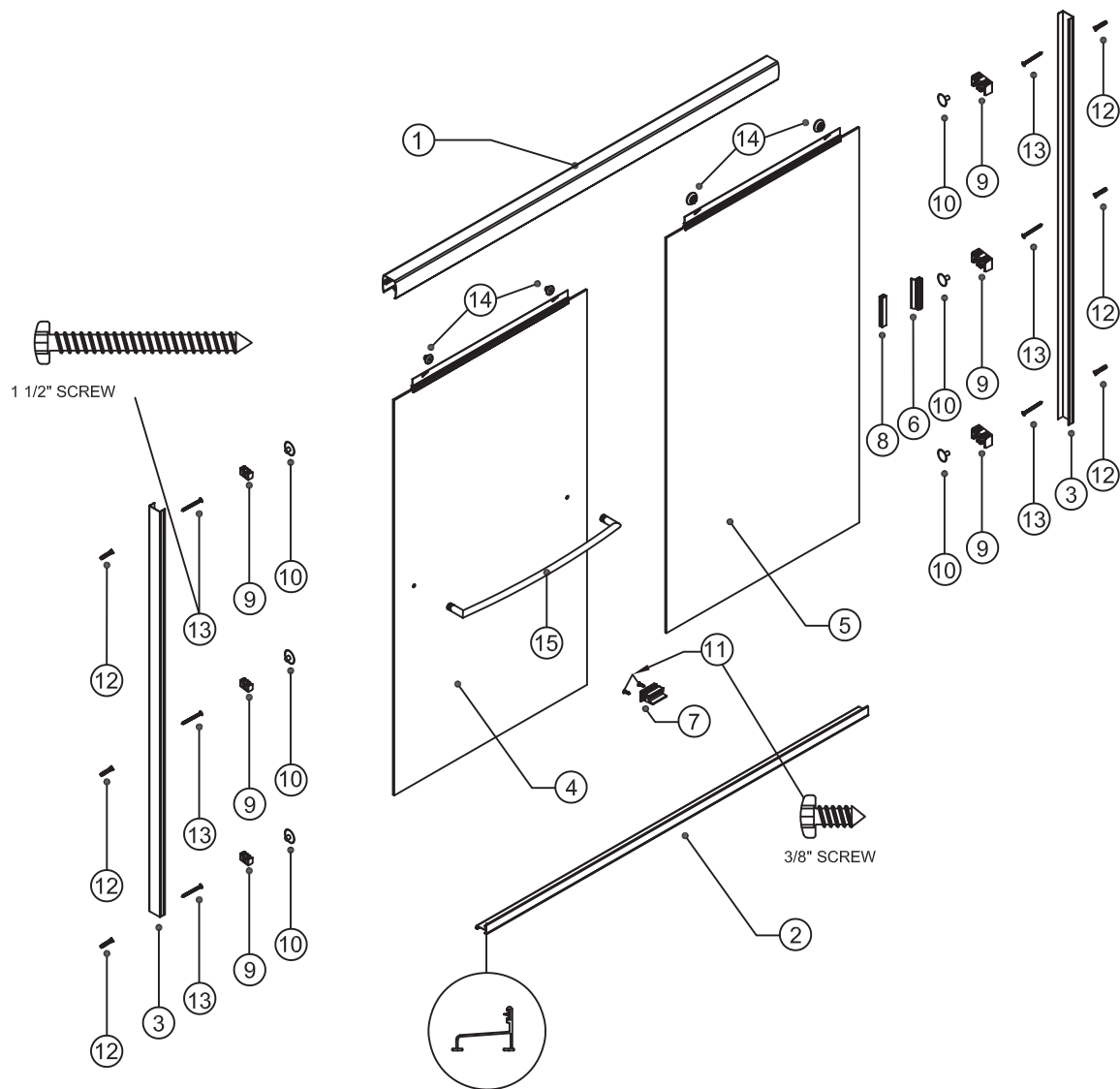


HERMITAGE BATH

Installation Manual



Detailed Diagram of Shower Door Components



PARTS LIST.

TOP TRACK (1 pc)	BOTTOM TRACK (1 pc)	WALL JAMB (2 pcs)	DOOR PANEL (Outside)	DOOR PANEL (Inside)	ALUMINUM SMALL HANDLE (1 pcs)
PANEL GUIDE (1 pc)	U-SHAPED VINYL (1 pcs)	BUMPER (6 pcs)	BUMPER COVER (6 pcs)	3/8" SCREW (2 pcs)	WALL PLUG (6 pcs)
1 1/2" SCREW (6 pcs)	ROLLER (4 pcs)	TOWEL BAR (1 pcs)	TOWEL BAR WRENCH (2 3/8" LONG 1 pcs)		

Before You Start

Thank you for choosing our sliding shower door. We hope to provide you with the most satisfying product and user experience.

Please read through this manual carefully as it contains important product information and step-by-step instructions on how to install this product. Fail to follow certain conditions of the instruction may affect the warranty of the product.

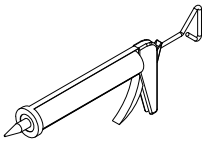
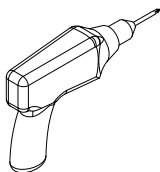
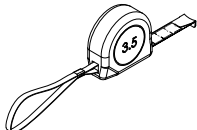
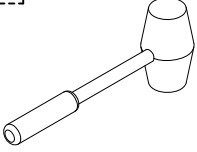
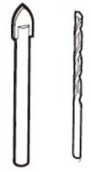
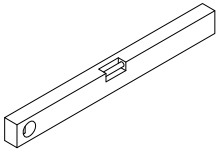
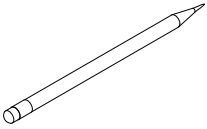
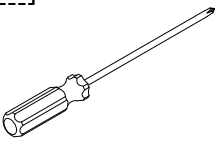
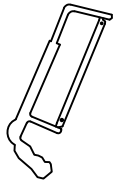

- 1.** Prior to installation, please inspect boxes for damages due to shipping. If there is any missing part or defecting part, please contact customer service through e-mailing within 7 business days of delivery date. Please note that we will not replace any damaged products or missing parts free of charge after 7 business days of installation of the product. Feel free to contact us if you have any question with your PO number.
- 2.** Please make sure to contact your local building codes with questions on installation standards. Building and plumbing codes may vary by location.
- 3.** Please check that the installation surfaces or level is strong enough to support the weight of the shower door. Do not install it to plastic shower modules or drywall unless additional support is provided behind the wall.
- 4.** This shower door is very heavy and requires professional installation.



Warnings

- 1.** Always wear safety glasses while cutting or drilling.
- 2.** Unframed tempered glass should never contact rigid surfaces, or it may shatter. Do not touch the edge of the tempered glass panel with tools or any rigid object. Do not set the unframed tempered glass edge directly on the floor.
- 3.** Do not attempt to cut tempered glass, or it will shatter.

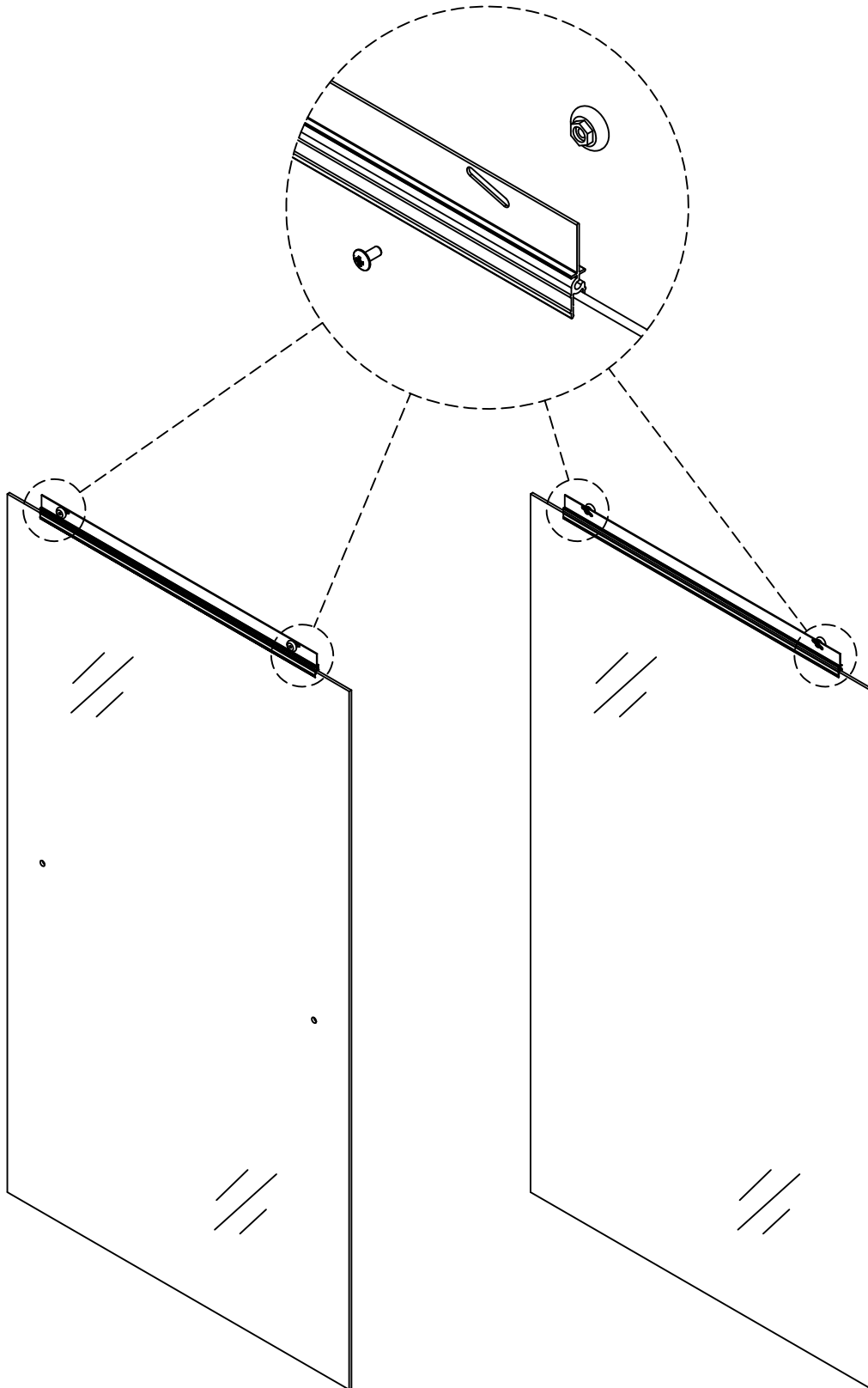
Required Tools:

① 	② 	③ 	④ 	⑤  * 1/4" & 1/8" DRILL BITS
SILICONE	DRILL	MEASURE TAPE	RUBBER MALLET	DRILL BITS
⑥ 	⑦ 	⑧ 	⑨ 	⑩ 
LEVEL	PENCIL	SCREW DRIVERS	HANDSAW	SAFETY GLASSES

STEP 1

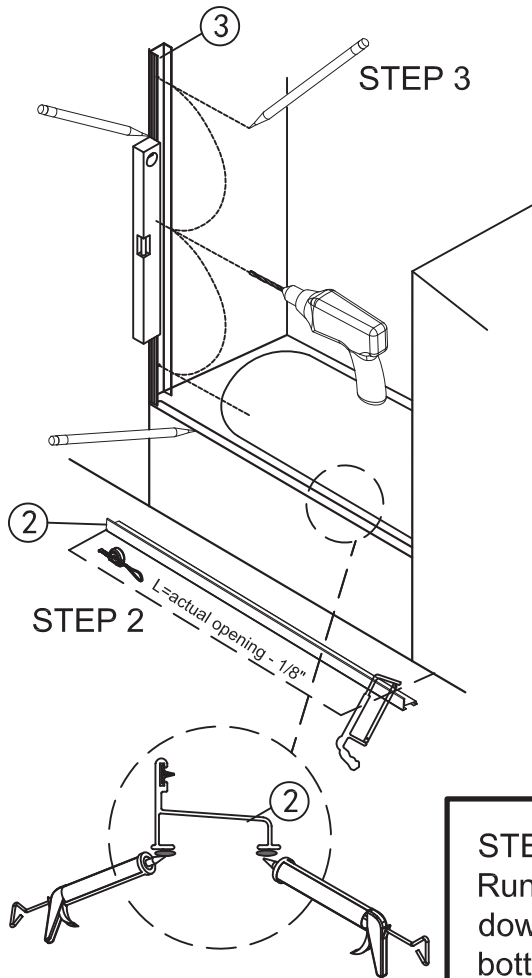
Attach rollers to hanger clips on the panel. Rollers should be mounted so that the head of the mounting screw is on the same side of the panel as the screw head set into the hanger clip (see inset drawing).

NOTE: The slots in the top flange are used to fine tune the adjustment of the panel to make up for walls that are slightly out of square or plumb. For best results, please place all rollers at the top of the slot first, then adjust as needed.



STEP 2

Measure opening on bottom and cut Bottom track ② 1/8" shorter than opening.



STEP 3

Place wall jamb down over bottom track so that the back of the jamb is between the bottom track and the wall. Using a level to insure jamb is plumb, mark hole locations. Remove jamb and drill holes about 1 1/2" deep at each of the marked locations.

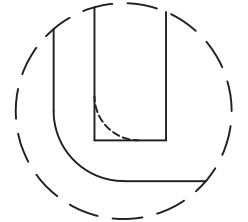


NOTE: When drilling into ceramic, glass or stone use a 1/4" MASONRY drill bit. **When installing on fiberglass or acrylic use a 1/8" drill bit and discard the wall plugs.** When installing on Fiberglass or Acrylic the side jambs may need to be filed at the bottom to fit the contour of the unit.

For drywall more than 10-12mm in thickness, please make sure to use specified drywall anchors for installation. For drywall with thickness less than 10-12mm, please make sure to install the brackets on the stud.

STEP 4

Repeat step 2 on the other side.



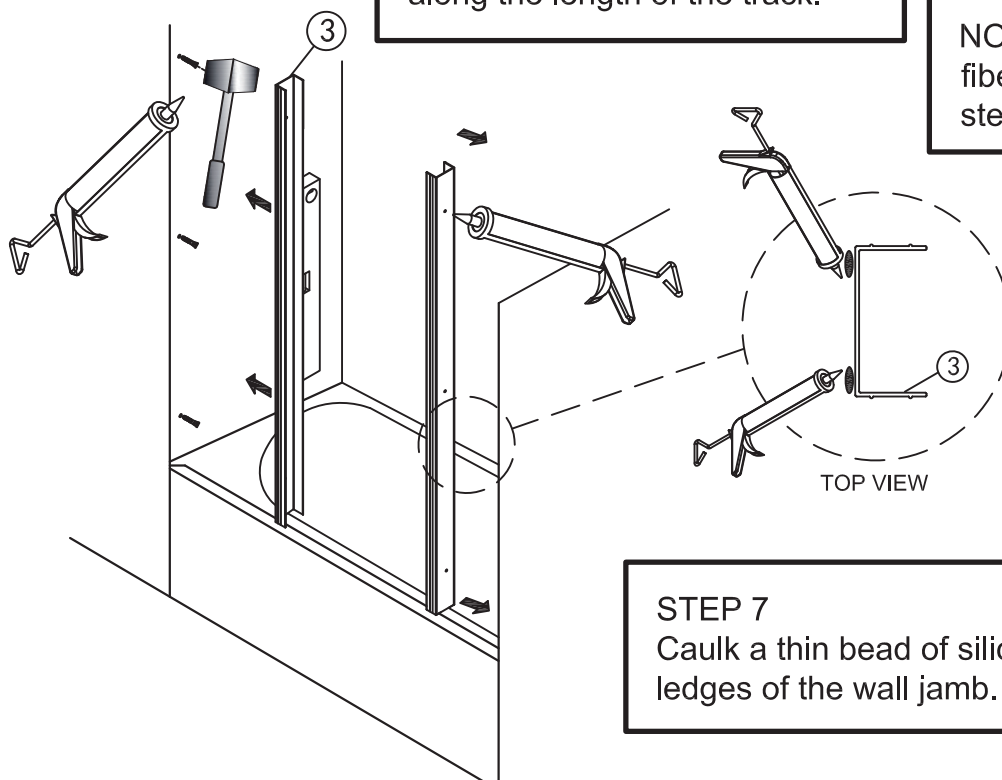
STEP 5

Run a thin bead of silicone caulk down the entire length of both bottom edges on the bottom track. Place the bottom track into position and press down firmly along the length of the track.

STEP 6

Push wall plugs into holes drilled in step 2 and tap them in with a rubber mallet.

NOTE: If you are installing on fiberglass or acrylic, skip this step and discard the wall plugs.



STEP 7

Caulk a thin bead of silicone on the entire bottom edges of the wall jamb.

STEP 8

Use 1 1/2" screws to anchor wall. Secure the bumper to the wall jamb and cover with the bumper cover.

STEP 9

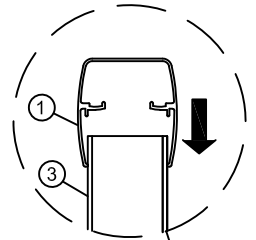
Measure opening at top of wall jamb, cut Top track ① 1/16" shorter than opening.

STEP 10

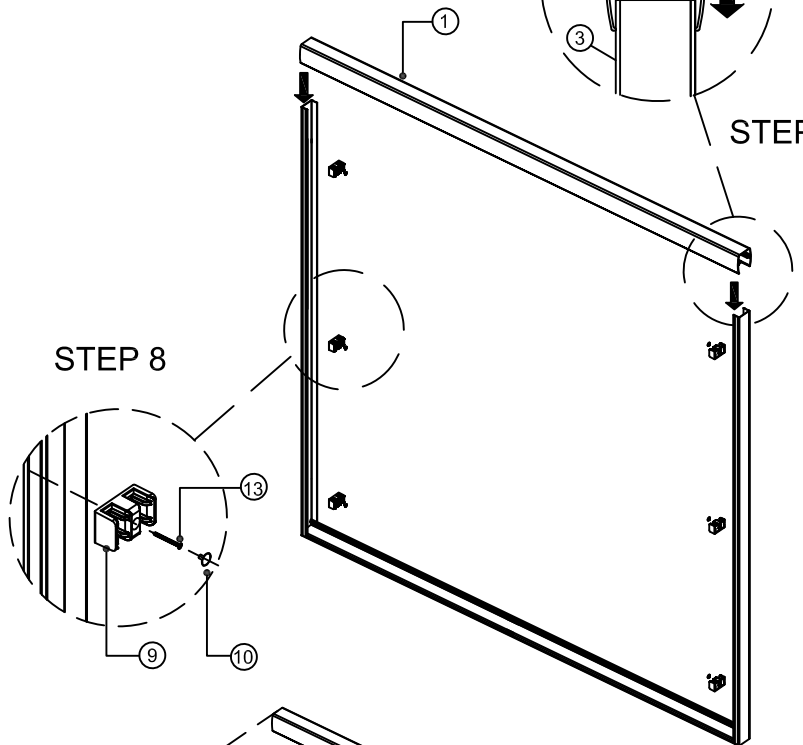
Place top track down over wall jambs as shown.



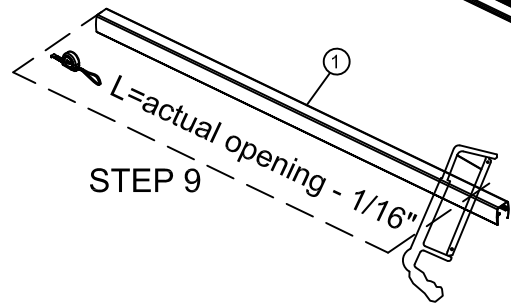
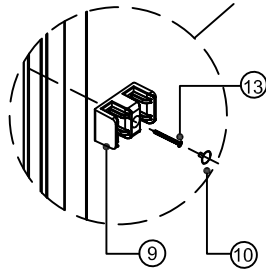
⑬ 1 1/2" SCREW



STEP 10

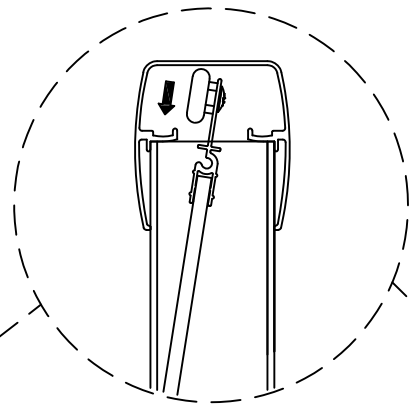


STEP 8

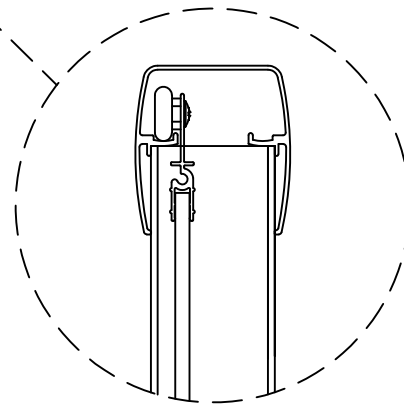


STEP 9

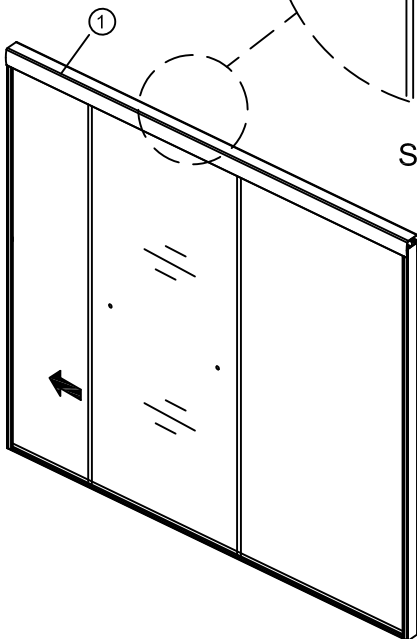
L=actual opening - 1/16"



SIDE VIEW



SIDE VIEW



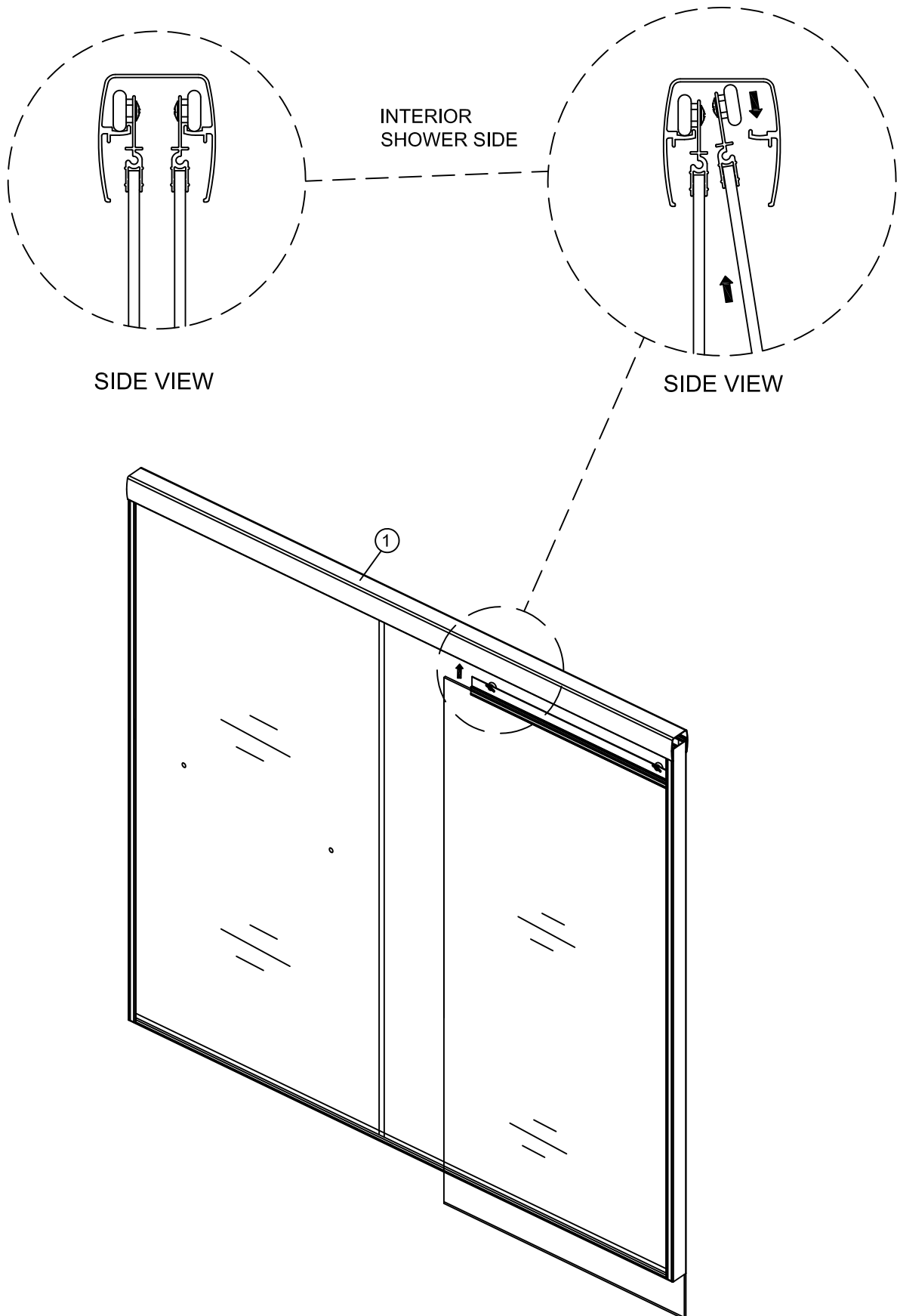
STEP 11

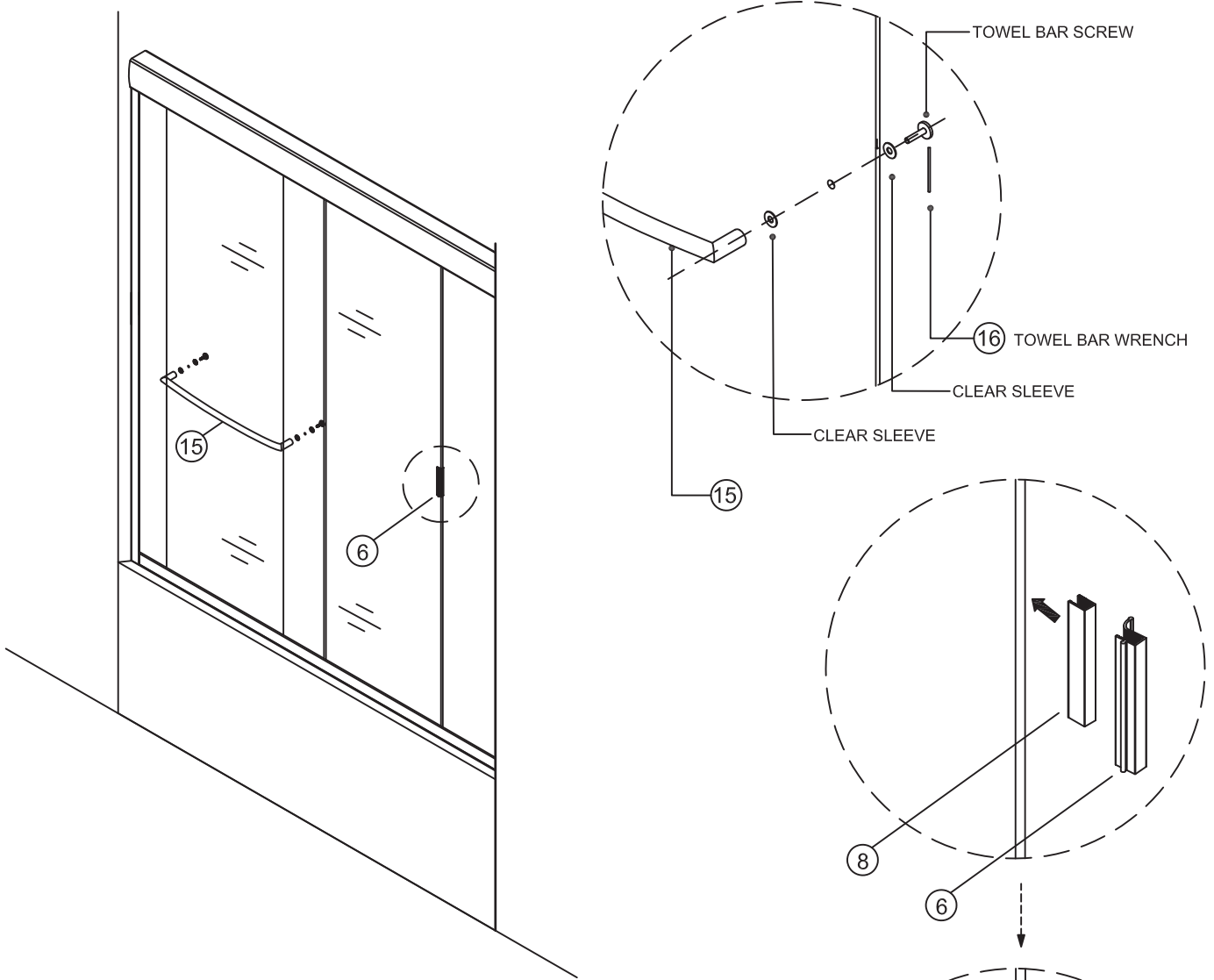
Install outer Door panel by lifting up & into Top track ① (Be careful not to bump panel against metal track.)

NOTE: The side with the "Premium WaterSpot Guard" sticker should always face the inside of the shower door.

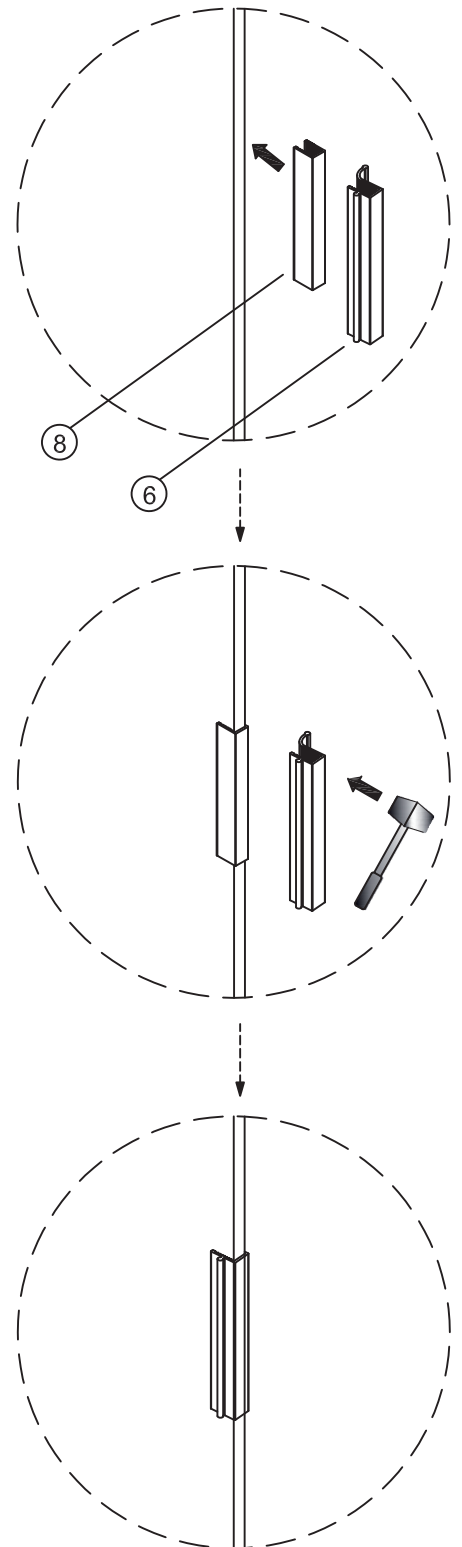
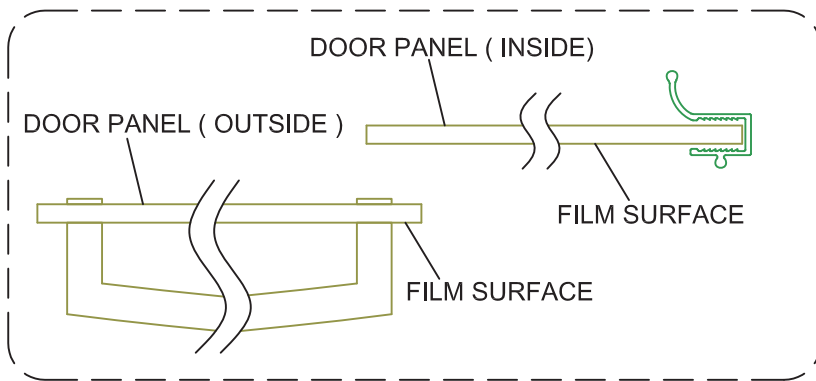
STEP 12

Install inner door panel by lifting up & into Top track .

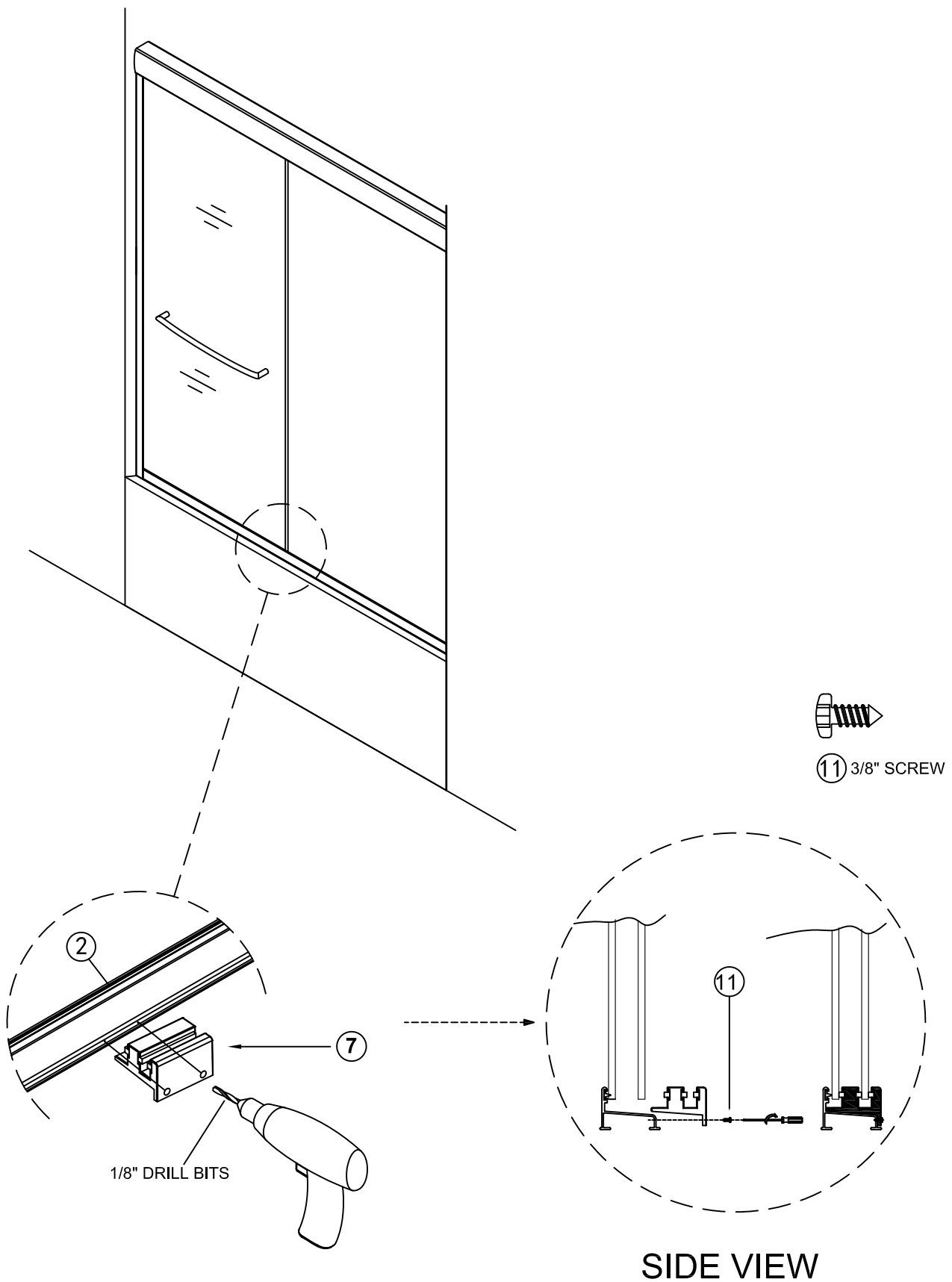




Handle Installation Diagram

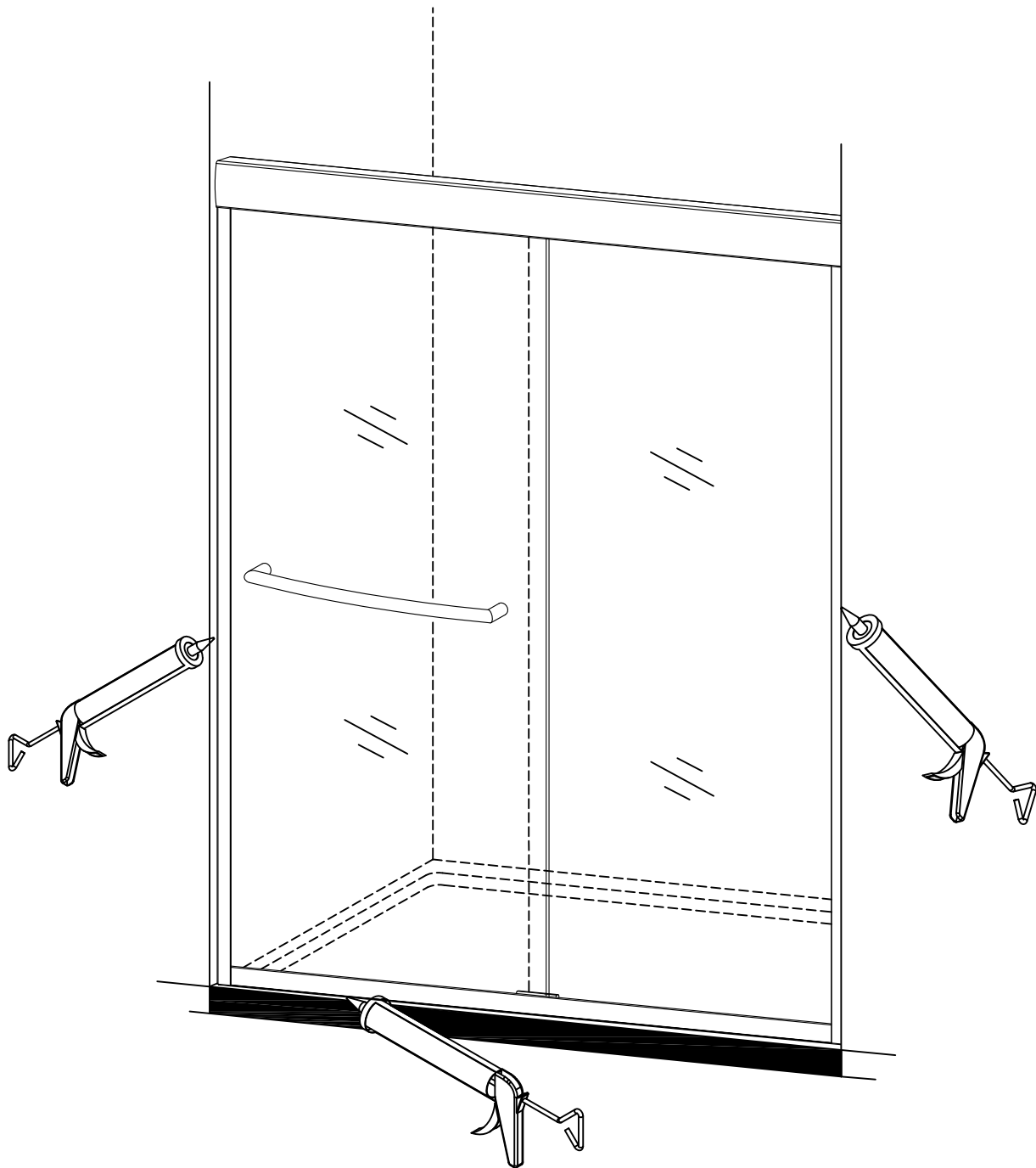


STEP 13
 Install TOWEL BARS (15) & ALUMINUM SMALL HANDLE (6).
 Clip the U-shaped vinyl (8) notch into the glass, and then use a rubber mallet to knock the aluminum small handle (6) onto the glass stuck with vinyl.
 Note: Avoid the BUMPER when installing the handle.



STEP 14

Position panel guide in center of Bottom track. Drill two 1/8" holes through screw holes in guide and into Bottom track. Position panels in guide as shown in inset drawing and attach guide to bottom track using 3/8" screws.



CAULK ALL SIDES



24 Hours

FINAL STEP: Caulk both sides of the shower door frame to seal. Keep the entire area dry for a minimum of **24** hours. Your installation is now complete.