

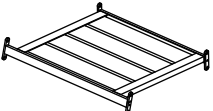
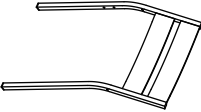
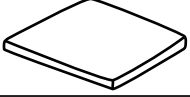

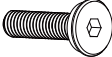


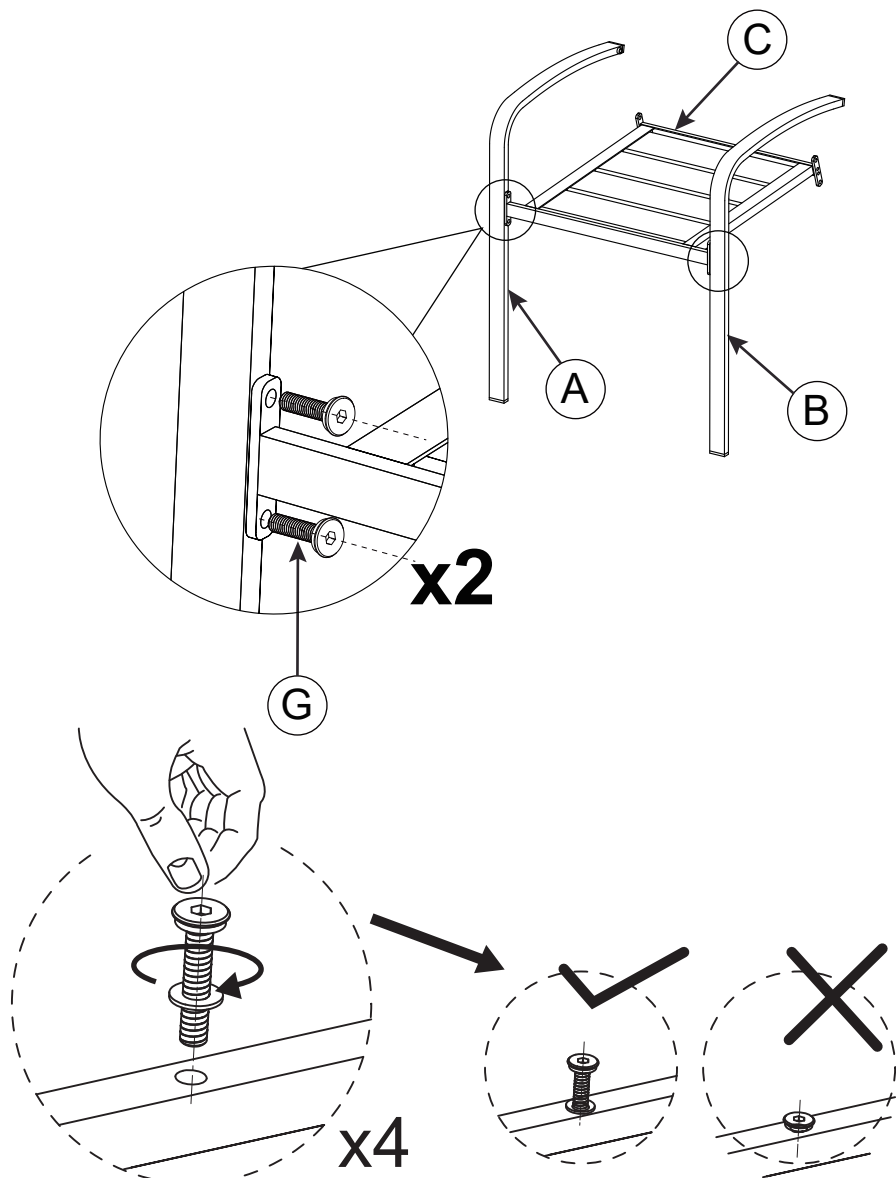


## COMPONENT LIST - CHAIR X 2

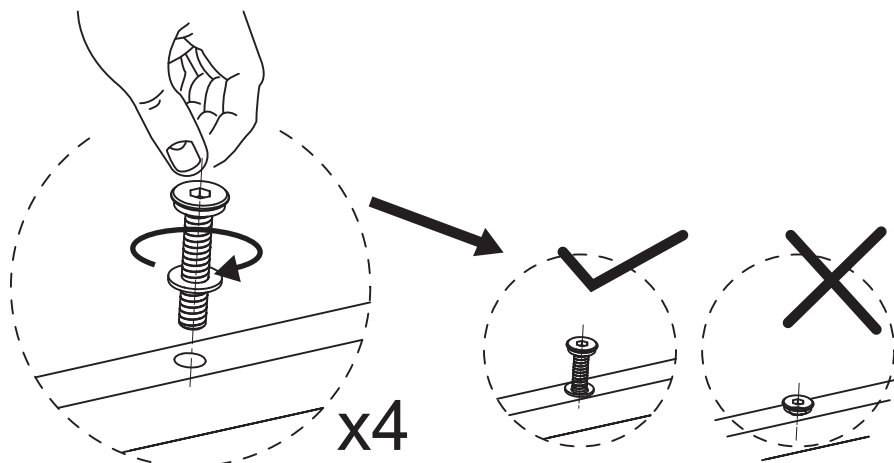
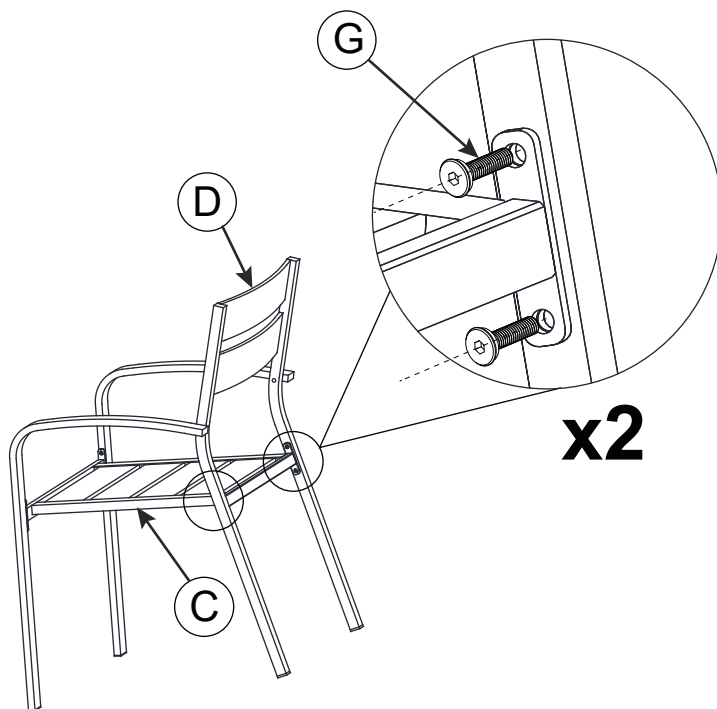
Item no.	Reference Image	Description	Qty.
A		Right Armrest	1
B		Left Armrest	1
C		Seat Panel	1
D		Back Panel	1
E		Seat Cushion	1
F		Washer	2
G		M6X15 Head Cap Screws	8
H		M6X35 Head Cap Screws	2
J		Allen Key	1

- 1** Attach the Armrests (A) & (B) to the Seat Panel (C) by securing with M6X15 Head Cap Screws (G). Do this in 2 places.



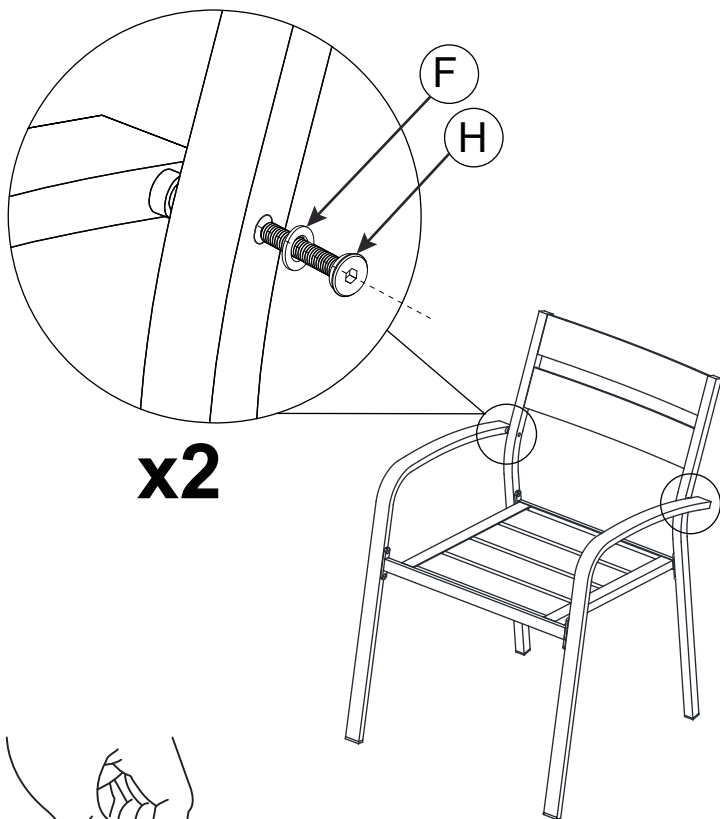
**NOTE:DO NOT TIGHTEN THE SCREWS COMPLETELY.**

- 2** Attach the Back Panel (D) to the Seat Panel (C) by securing with M6X15 Head Cap Screws (G). Do this in 2 places.

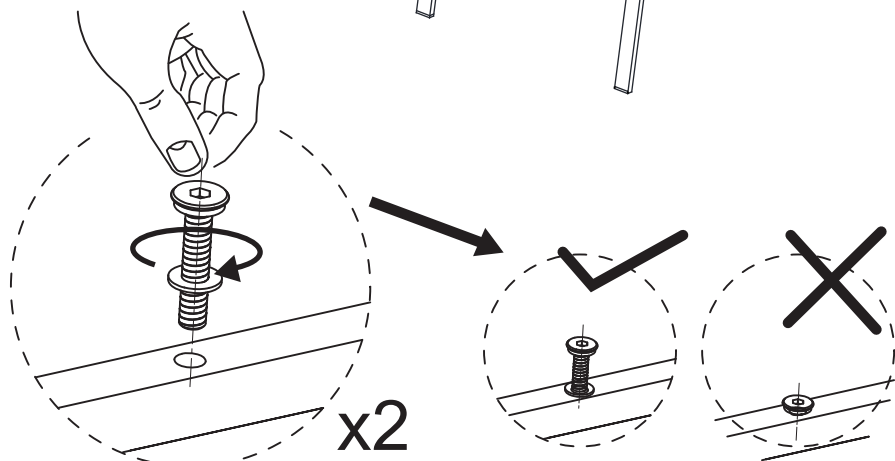


**NOTE: DO NOT TIGHTEN THE SCREWS COMPLETELY.**

- 3** Attach the Back Panel (D) to the Armrests (A) & (B) by securing with M6X35 Head Cap Screws (H) and Washers (F). Do this in 2 places.



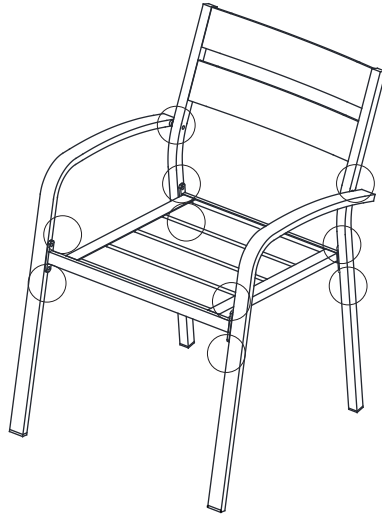
**x2**



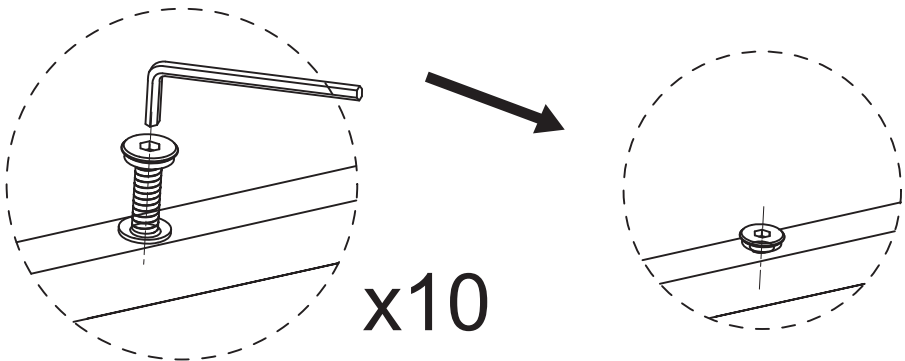
**x2**

**NOTE: DO NOT TIGHTEN THE SCREWS COMPLETELY.**

4

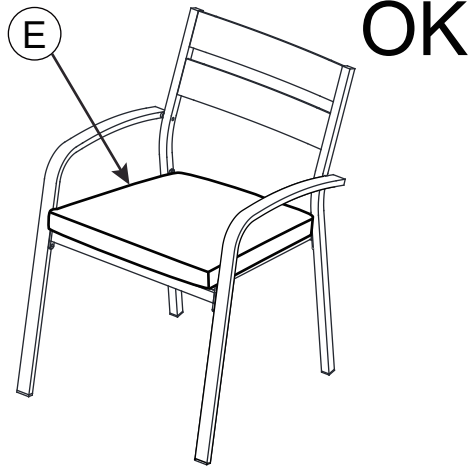


Tighten all 10 Screws into place with Allen Key (J)



**NOTE:**IF ANY SCREW HOLES CANNOT BE ALIGNED,  
LOOSEN ALL THE SCREWS AND GO BACK STEP  
1 AND RESTART ASSEMBLY.

- 5 Place the Seat Cushion (E) on the Chair. Your Chair is ready for use.



**Note:** To have a better vision effect, some decorative screw covers are randomly given away free with the item, with or without which there has no effect on the item itself. Put the cover on as shown.

