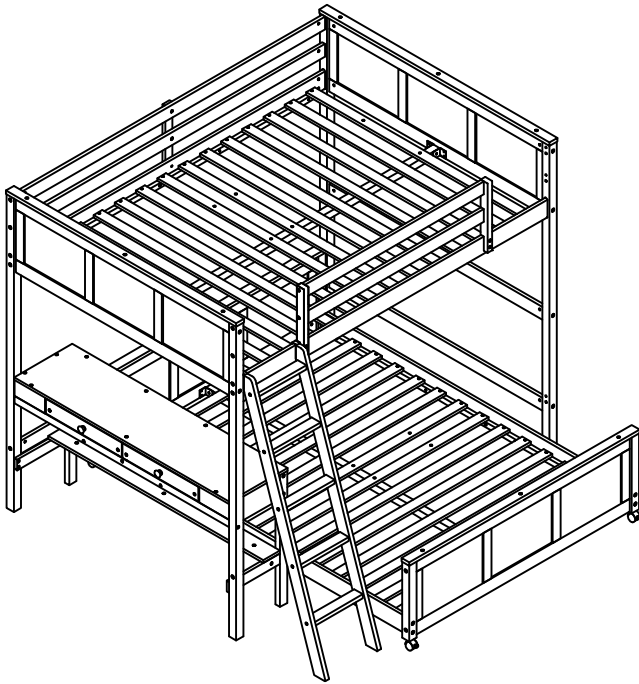
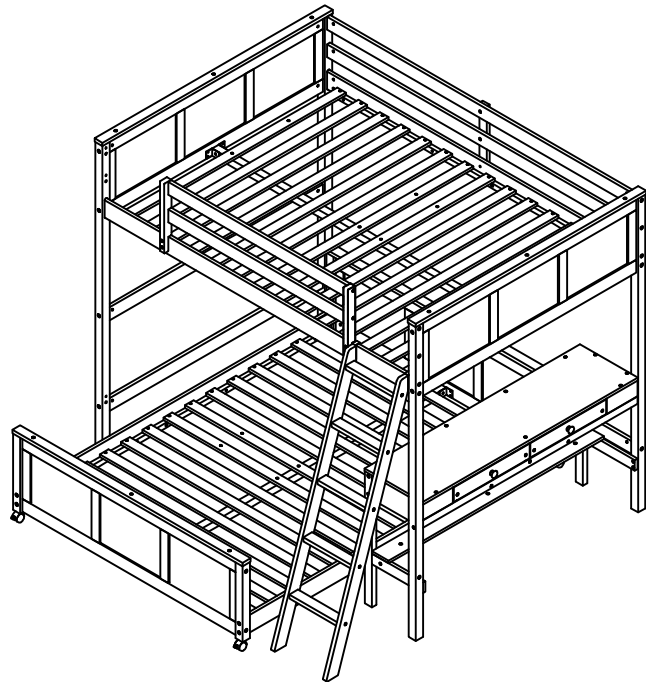


ASSEMBLY INSTRUCTIONS

FULL/FULL BED WITH TABLE



OR





SAFETY WARNING



1. This bed is designed for use only mattress (es) meeting the following specifications on the upper bunk, and lower bunk:

Upper bunk (Bunk bed and tribed included)

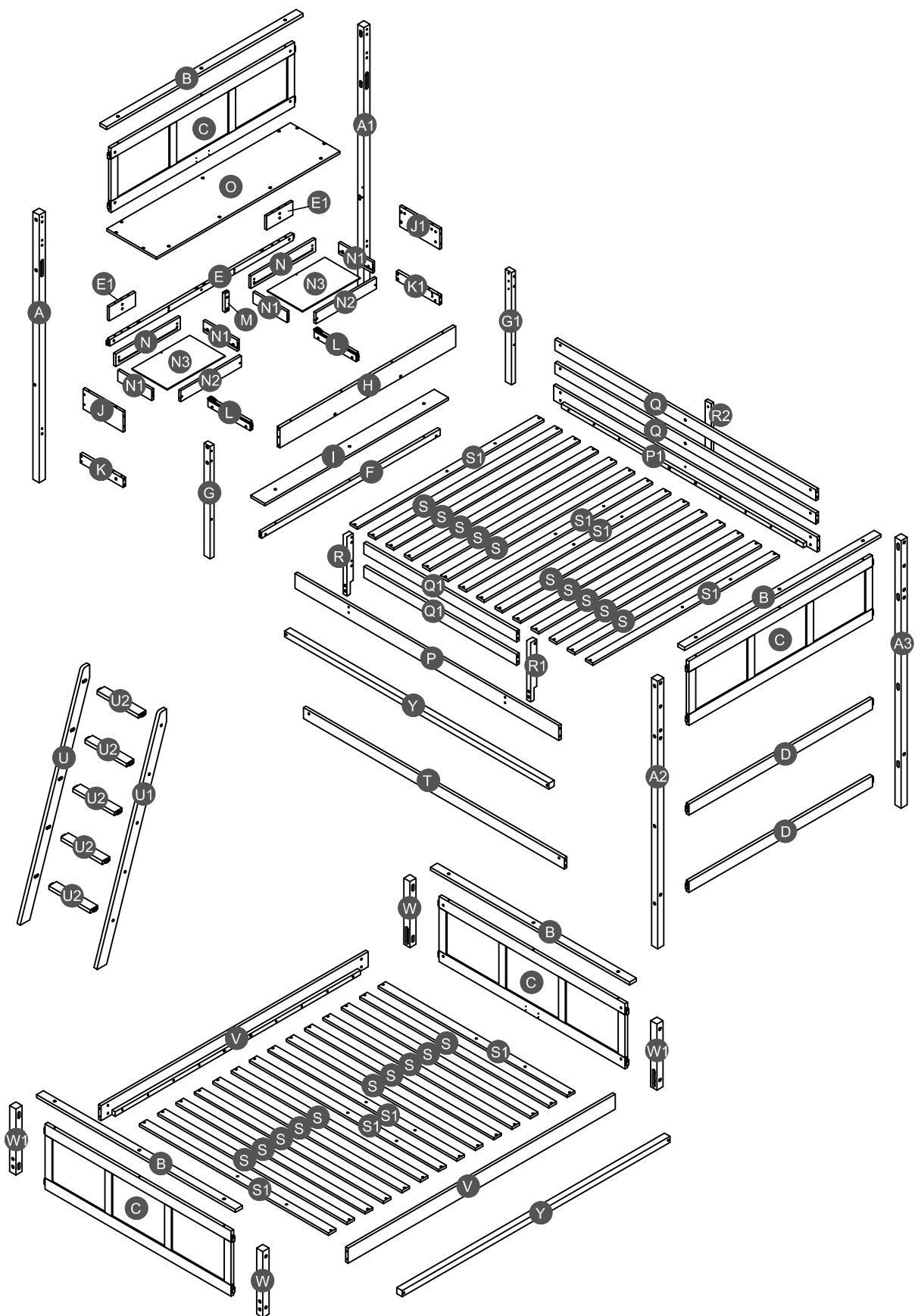
Bed type	Length	Width	Thickness
Full Standard	74"-75"	54"	6" max

Lower bunk

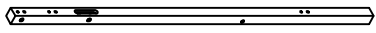
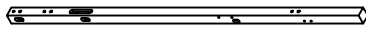
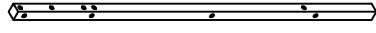
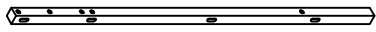

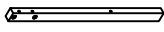
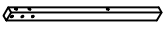


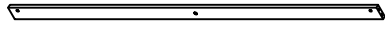
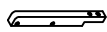
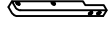



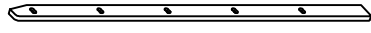
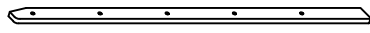

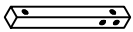
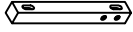
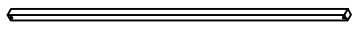
Bed type	Length	Width	Thickness
Full Standard	74"-75"	54"	8"

2. Replacement parts, including additional guardrails, maybe obtained from any of our dealers
3. Follow the information on the warnings appearing on the upper bunk bed end structure and on the carton. Do not remove warning label from bed.
4. Always use the recommended size mattresses or mattress supports, or both, to help prevent the likelihood of entrapment or falls.
5. Surface of mattress must be at least 5" (127mm) below the upper edge of guardrails.
6. Do not allow children under 6 years of age to use the upper bunk.
7. Periodically check and ensure that the guardrail, ladder, and other components are in their proper position, free from damage, and that all connectors are tight.
8. Do not allow horseplay on or under the bed and prohibit jumping on the bed.
9. Always use the ladder for entering and leaving the upper bunk.
10. Do not use substitute part. Contact the manufacture or dealer for replacement part.
11. Use of a night light may provide added safety precaution for a child using the upper bunk.
12. Always use guardrails on both long sides of the upper bunk. If the bunk bed will be placed next to the wall, the guardrail that runs the full length of the bed should be placed against the wall to prevent entrapment between the bed and wall.
13. The use of water or sleep flotation mattresses is prohibited.
14. **STRANGULATION HAZARD** - Never attach or hang items to any part of the bunk bed that are not designed for use with the bed; for example, but not limited to, hook, belts and jump ropes.
15. Keep these instruction for future reference.
16. Prohibit more than one person on upper bunk
17. We recommend assembling your bunk bed on the shipping carton to protect your floor or carpet.
18. Be certain all staples are out of the box before beginning assembly on the shipping carton.

Detail View

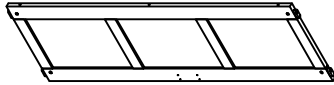
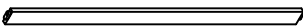






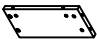
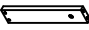
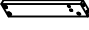


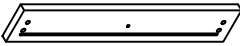
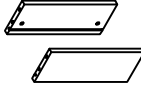

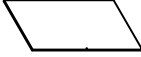
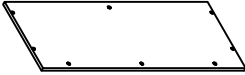


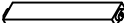




Part List

<p>A</p>  <p>Leg (Left Front) - 1pc</p>	<p>A1</p>  <p>Leg (Left Back) - 1pc</p>	<p>A2</p>  <p>Leg (Right Front) - 1pc</p>
<p>A3</p>  <p>Leg (Right Back) - 1pc</p>	<p>B</p>  <p>Cap for upper HB/FB - 4pcs</p>	<p>G</p>  <p>Leg (Left Front) - 1pc</p>
<p>G1</p>  <p>Leg (Left Back) - 1pc</p>	<p>P</p>  <p>Upper side rail (Front) - 1pc</p>	<p>P1</p>  <p>Upper side rail (Back) - 1pc</p>
<p>Q</p>  <p>Upper long guard rail (back) - 2pcs</p>	<p>R</p>  <p>Support guard rail (Left) - 1pc</p>	<p>R1</p>  <p>Support guard rail (Right) -1pc</p>
<p>S</p>  <p>Slat - 10pcs</p>	<p>S1</p>  <p>Slat - 4pcs</p>	<p>T</p>  <p>Lower horizontal bar (back) - 1pc</p>
<p>U</p>  <p>Left side ladder -1pc</p>	<p>U1</p>  <p>Right side ladder -1pc</p>	<p>V</p>  <p>Lower side rail - 2pcs</p>
<p>W</p>  <p>Leg (Left Front/Right Back) - 2pcs</p>	<p>W1</p>  <p>Leg (Left Back/Right Front) - 2pcs</p>	<p>Y</p>  <p>Lower support slat - 2pcs</p>

Part List

Hardware inside

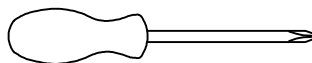
<p>C</p>  <p>Lower frame HB/FB - 4pcs</p>	<p>D</p>  <p>Horizontal bar HB - 2pcs</p>	<p>E</p>  <p>Divider horizontal bar FB - 1pc</p>
<p>E1</p>  <p>Panel (front) - 2pcs</p>	<p>F</p>  <p>Lower horizontal bar - 1pc</p>	<p>H</p>  <p>Back panel - 1pc</p>
<p>I</p>  <p>Shelf panel - 1pc</p>	<p>J</p>  <p>Side panel (left) - 1pc</p>	<p>J1</p>  <p>Side panel (right) - 1pc</p>
<p>K</p>  <p>Lower support (left) - 1pc</p>	<p>K1</p>  <p>Lower support (right) - 1pc</p>	<p>L</p>  <p>Support drawer - 2pcs</p>
<p>M</p>  <p>Vertical bar (front) - 1pc</p>	<p>N</p>  <p>Drawer front - 2pcs</p>	<p>N1</p>  <p>Drawer (left/right) - 4pcs</p>
<p>N2</p>  <p>Drawer back - 2pcs</p>	<p>N3</p>  <p>Drawer bottom - 2pcs</p>	<p>O</p>  <p>Top panel - 1pc</p>
<p>Q1</p>  <p>Upper short guard rail (front) - 2pcs</p>	<p>R2</p>  <p>Vertical guard rail (back) - 1pc</p>	<p>U2</p>  <p>Step ladder - 5pcs</p>
<p>S</p>  <p>Slat - 10pcs</p>	<p>S1</p>  <p>Slat - 4pcs</p>	

Hardware List

1  Ø10*40mm Wood dowel (10pcs)	2  Ø8*30mm Wood dowel (22pcs)	3  (Ø15)1/4"*100mm Hex-Head bolts (22pcs)
4  (Ø15)1/4"*80mm Hex-Head bolts (34pcs)	5  (Ø12)1/4"*70mm Hex-Head bolts (4pcs)	6  (Ø12)1/4"*60mm Hex-Head bolts (31pcs)
7  (Ø12)1/4"*40mm Hex-Head bolts (5pcs)	8  (Ø12)1/4"*35mm Hex-Head bolts (4pcs)	9  (Ø12)1/4"*30mm Hex-Head bolts (3pcs)
10  (Ø12)1/4"*40mm Hex-Head bolts (27pcs)	11  (1/4")4.5*58mm Allen key (2pcs)	12  1/4"*15 (9.5mm) Horizontal-Hole bolts(91pcs)
13  Ø4*30mm Wood screws (64pcs)	14  Ø3.5*15mm Wood screws (22pcs)	15  64*52*95mm Castor (2pcs)
16  64*52*95mm Castor (2pcs)	17  266*30mm Upper slider drawer (2pcs)	18  (Ø13)1/4"*14mm Connect bolt (4pcs)
19  116*40*27mm Metal bracket (4pcs)	20  Ø38*31mm Pine Knob (2pcs)	21  3/16"*25mm Ph zinc(Knob) (2pcs)
22  81*26*21*(2.5mm) Hooks (2pcs)	23  Ø4*19mm Wood screws (6pcs)	






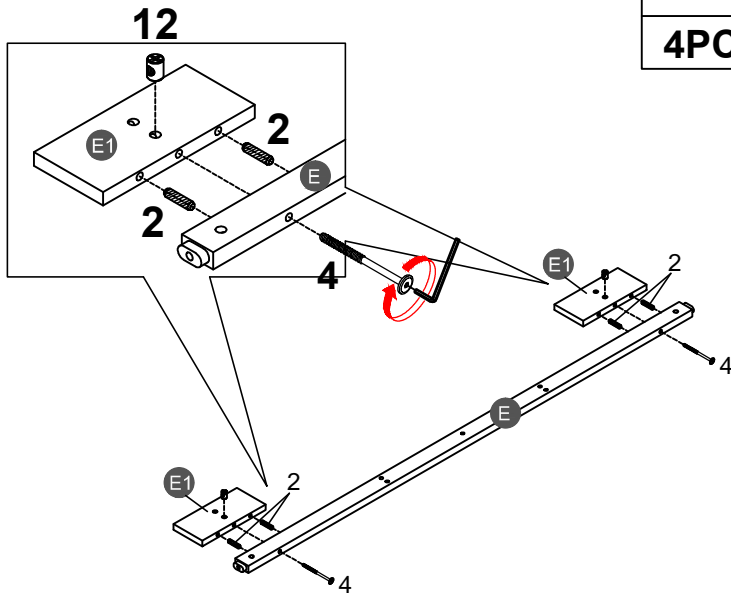
ASSEMBLY TOOLS REQUIRED (NOT INCLUDED)





PLEASE BE CAREFUL DO NOT DAMAGE THE HOLE POSITION WHEN YOU USE POWER TOOLS !

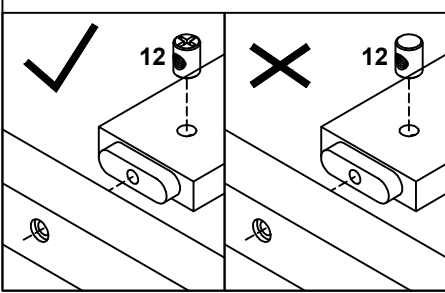
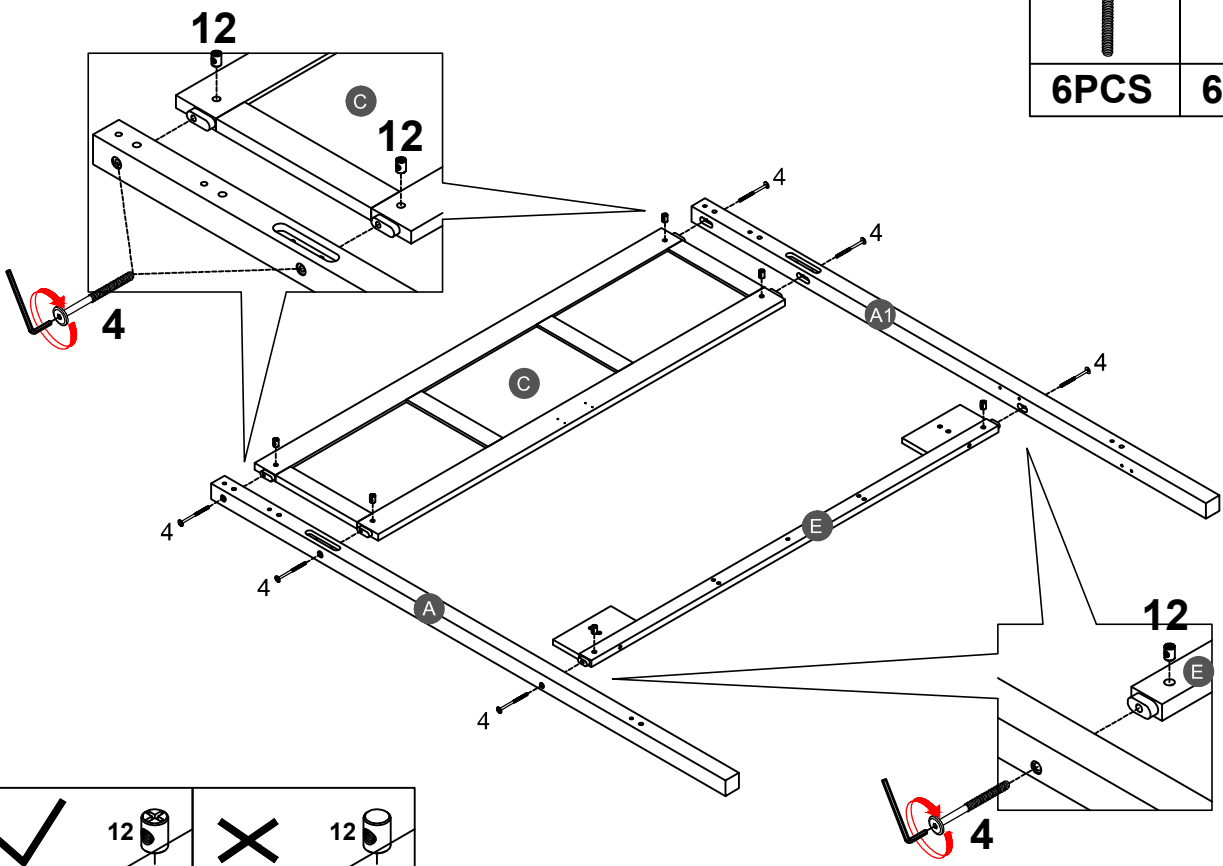
STEP 1:

2		4		12	
4PCS		2PCS		2PCS	



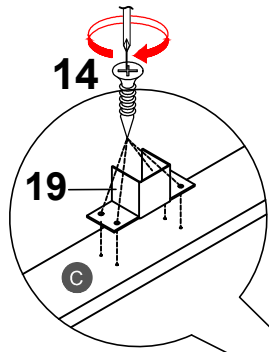
STEP 2:


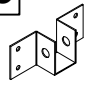
4		12	
6PCS		6PCS	

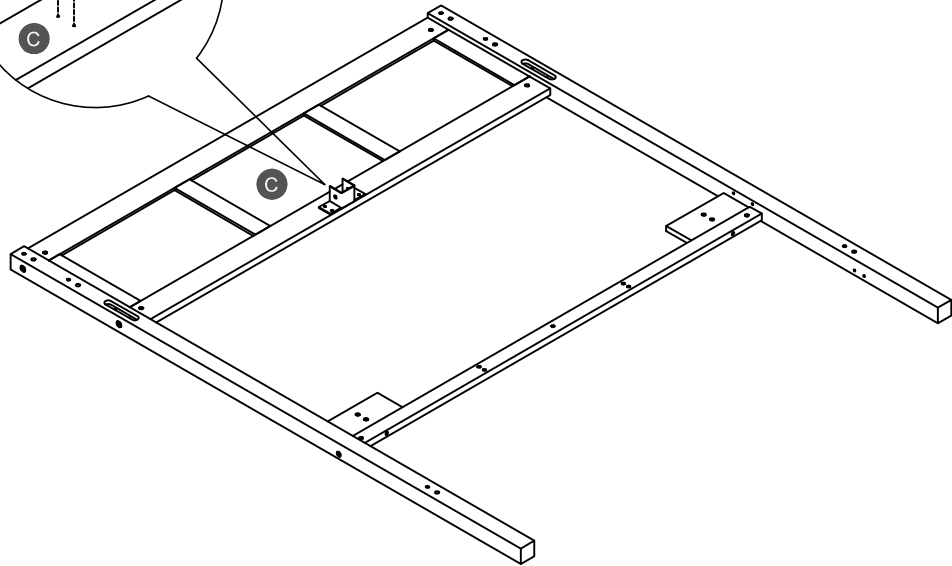


Note: Part 12 will face up with the "x" mark on it, otherwise it cannot be tightened


STEP 3:

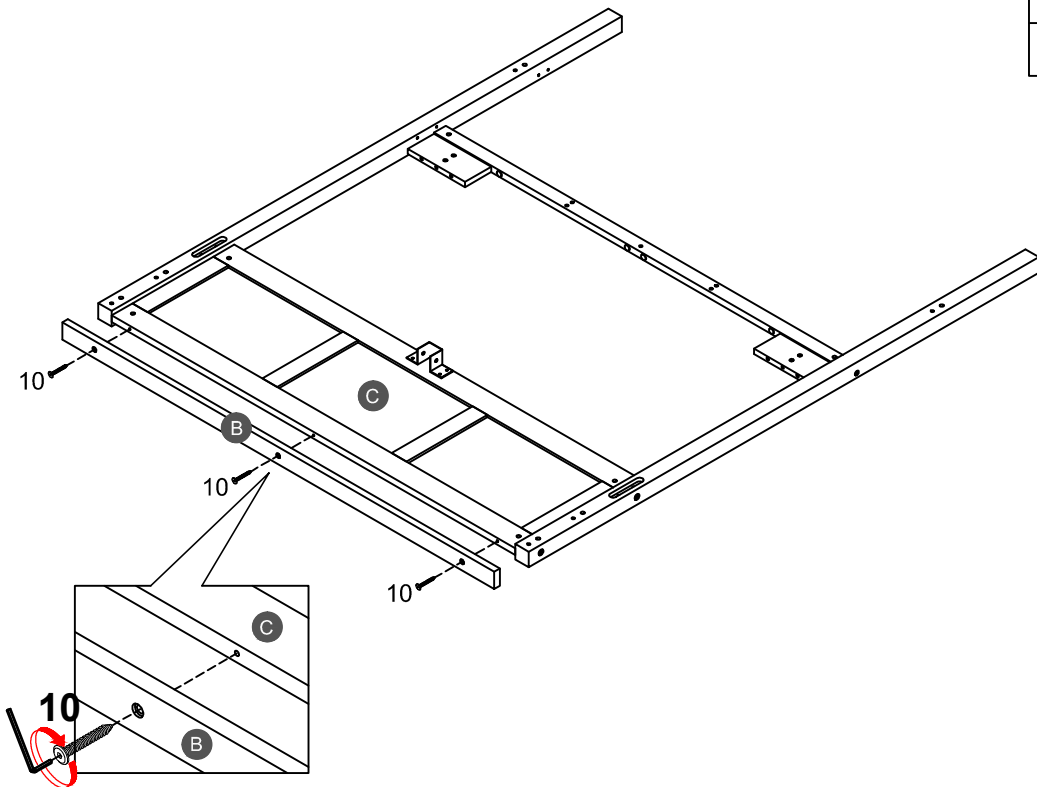


14		19	
4PCS		1PC	




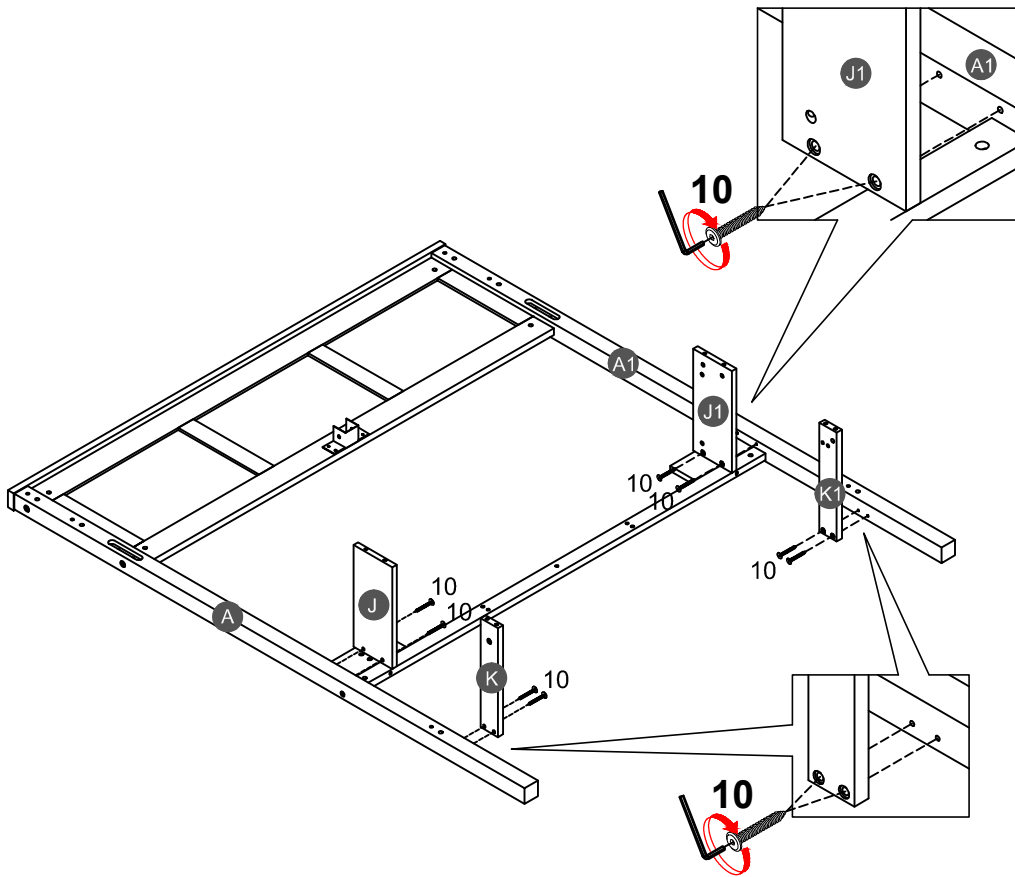
STEP 4:

10	
3PCS	






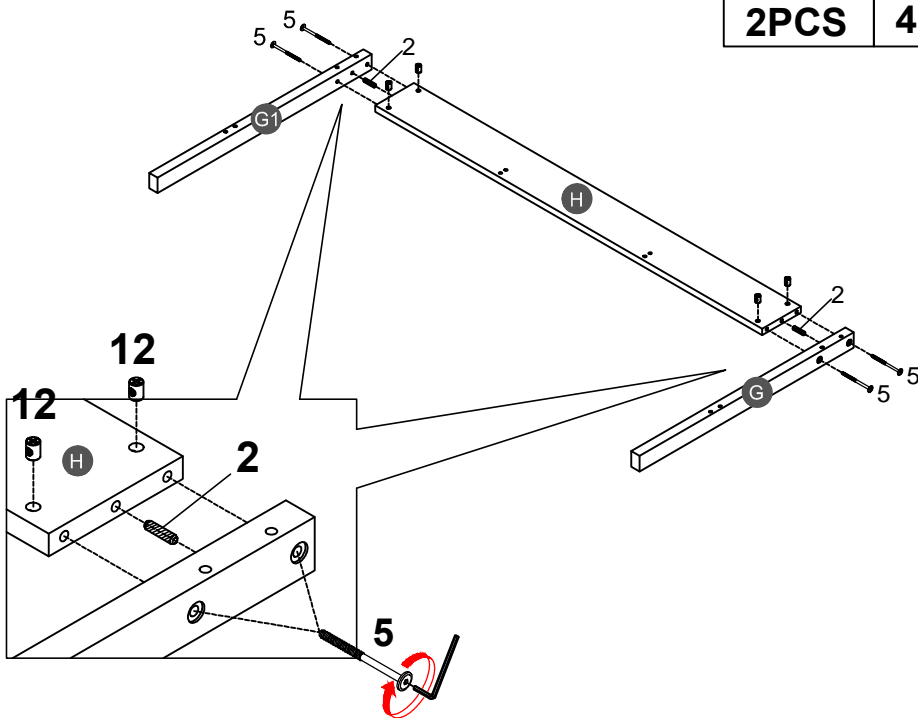
STEP 5:

10	
8PCS	







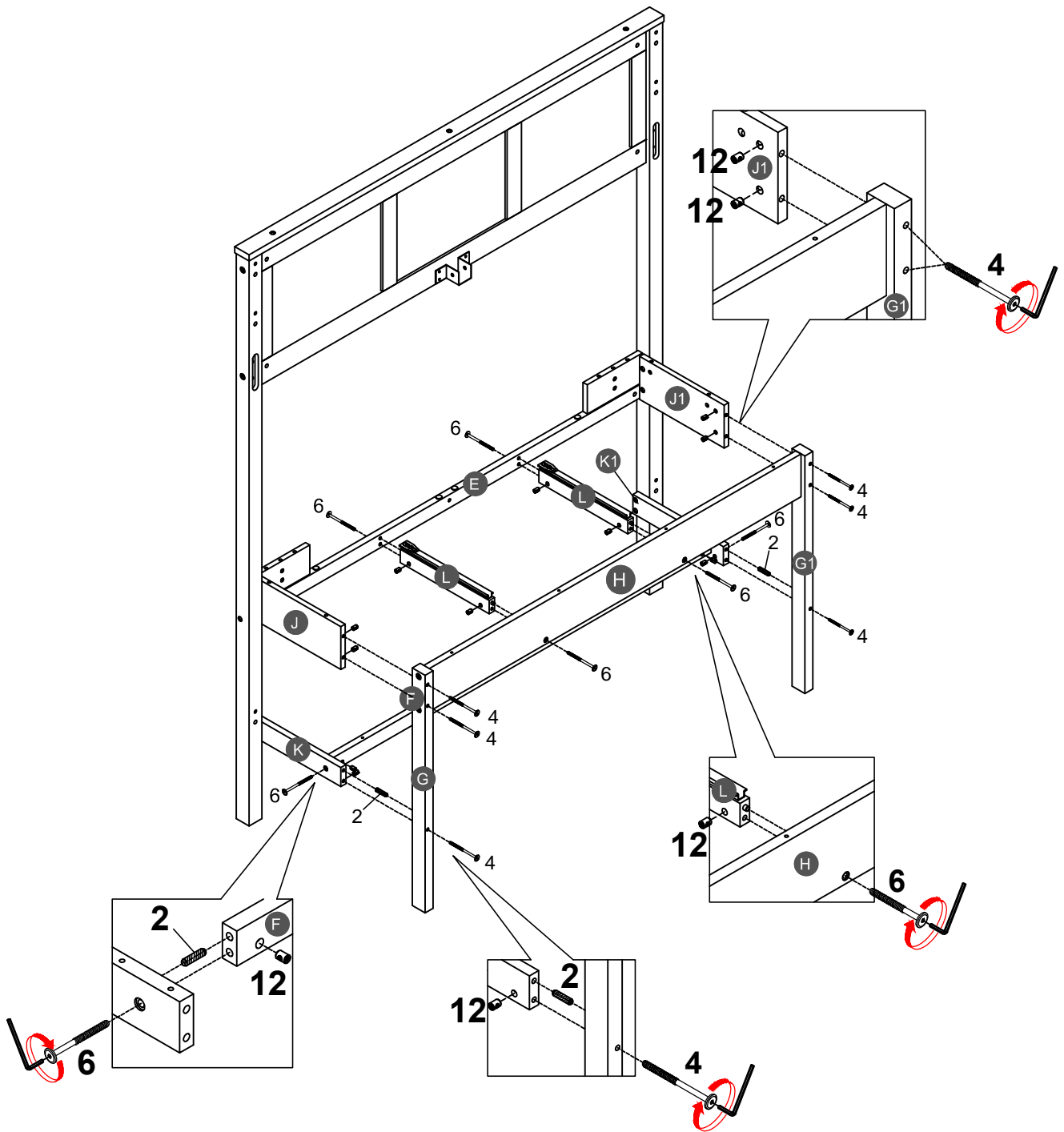
STEP 6:

2		5		12	
2PCS		4PCS		4PCS	

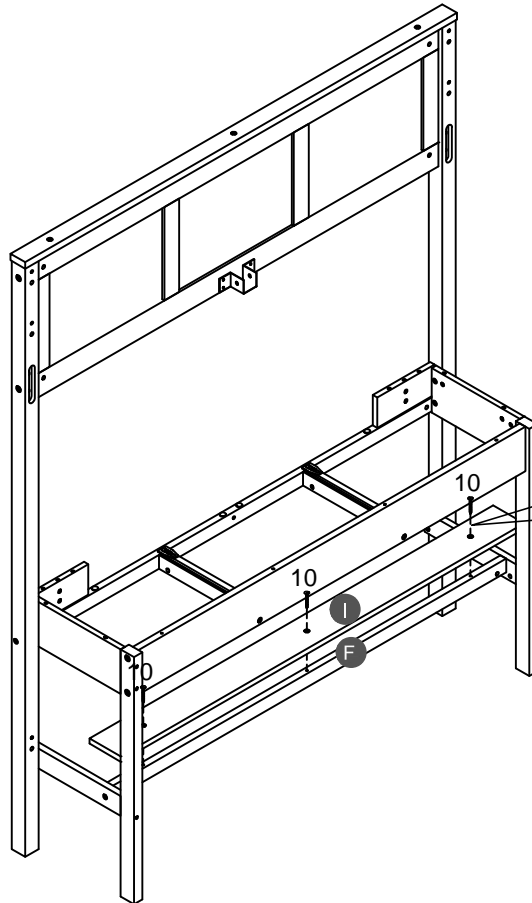



STEP 7:

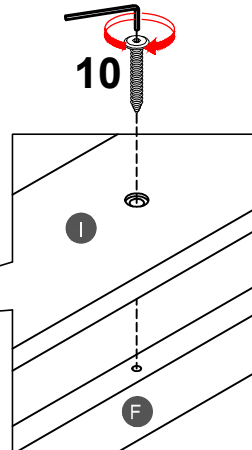
2		4		6		12	
4PCS		6PCS		6PCS		12PCS	



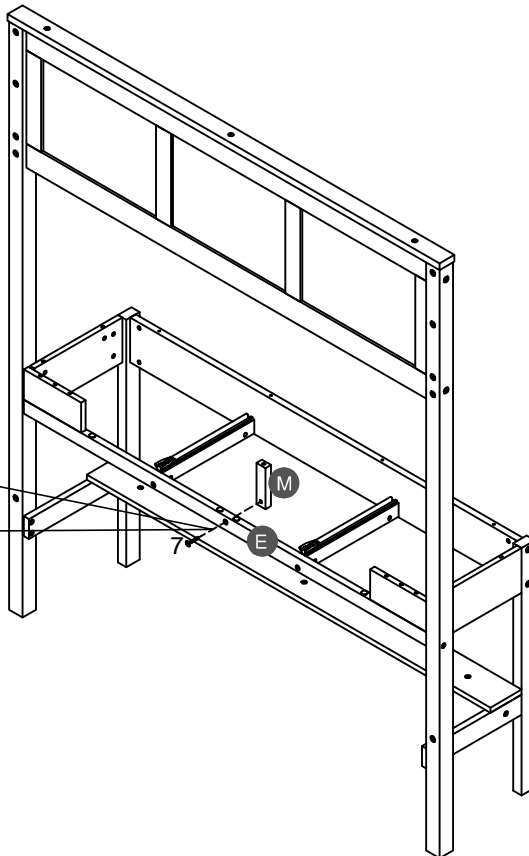
STEP 8:




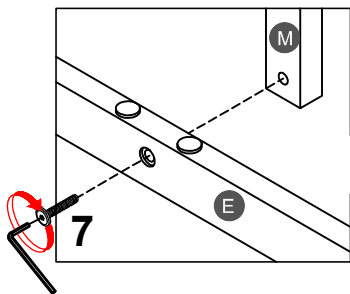
10	
3PCS	



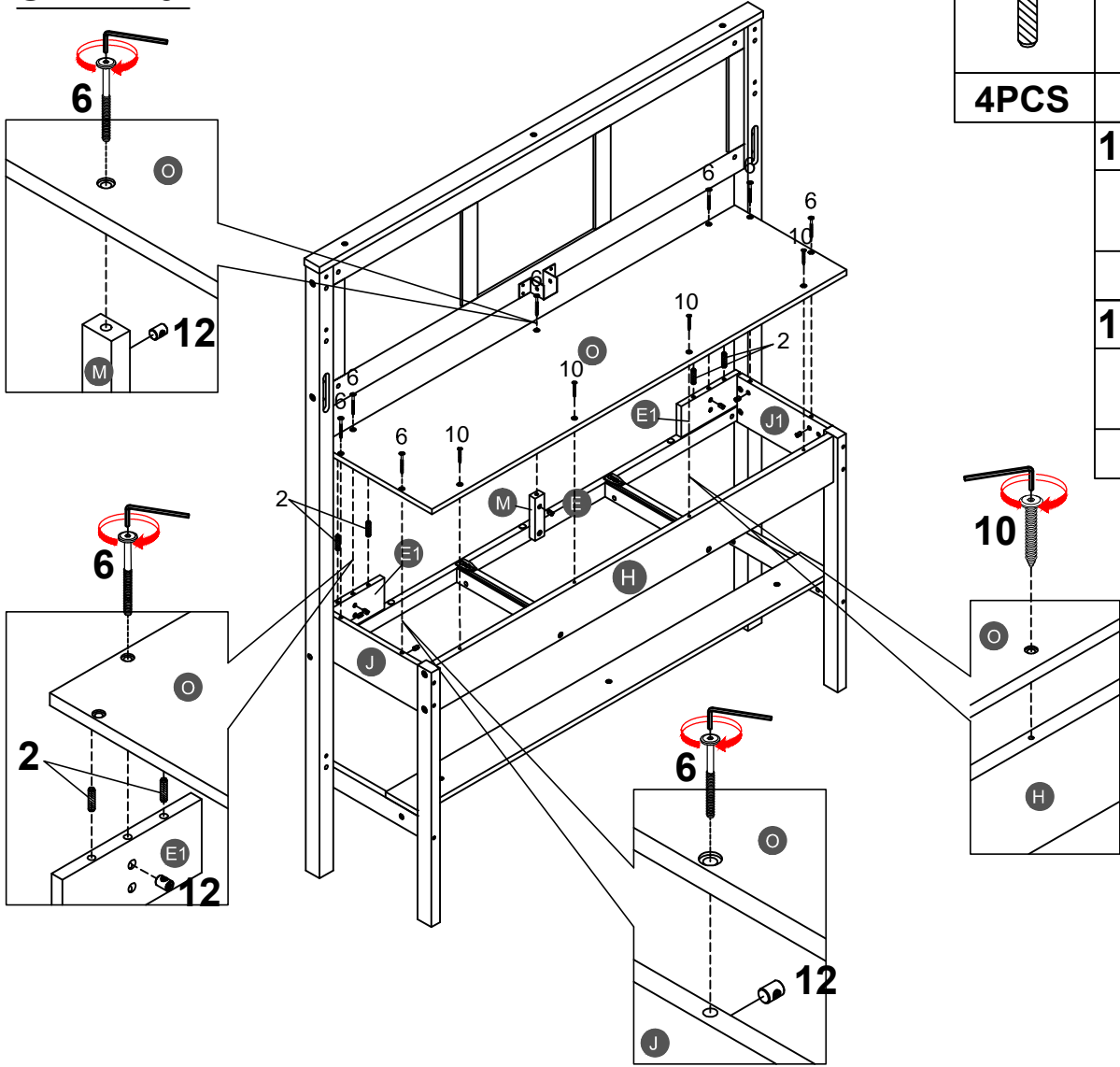
STEP 9:



7	
1PC	

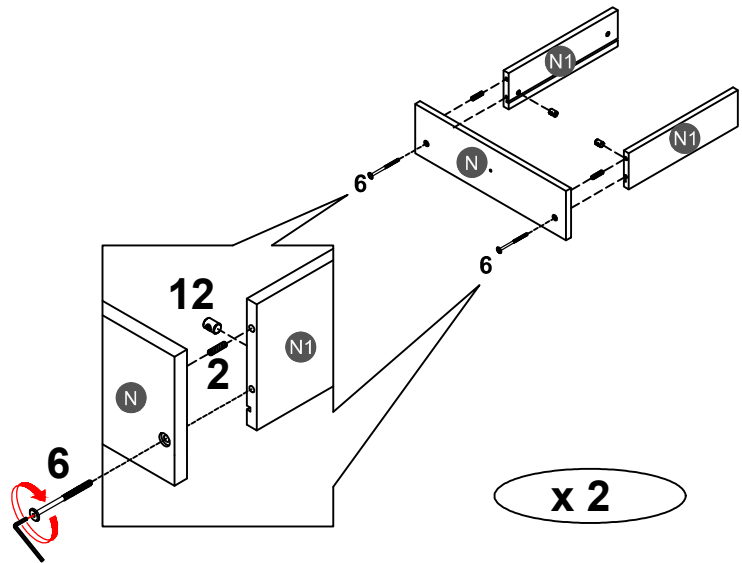


STEP 10:



2		6	
4PCS		7PCS	
		10	
		4PCS	
		12	
		7PCS	

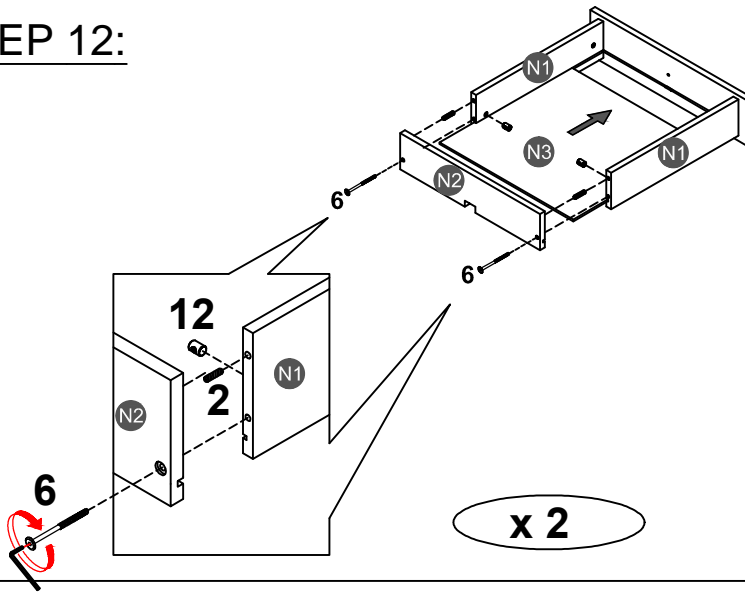
STEP 11:






2		6	
4PCS		4PCS	
		12	
		4PCS	

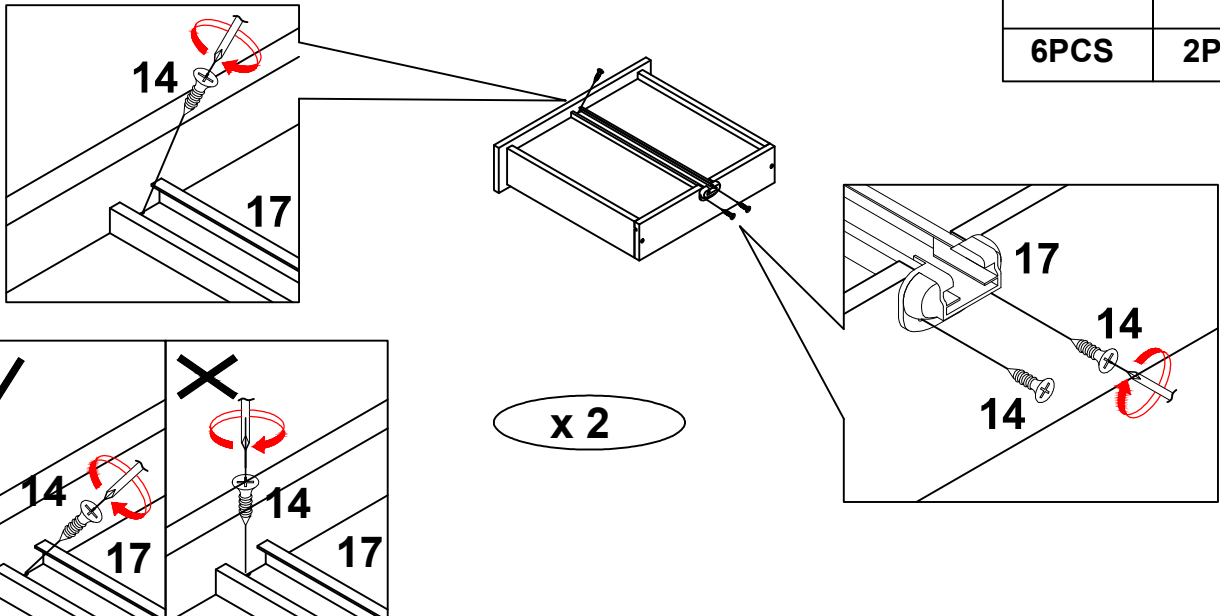
x 2



STEP 12:



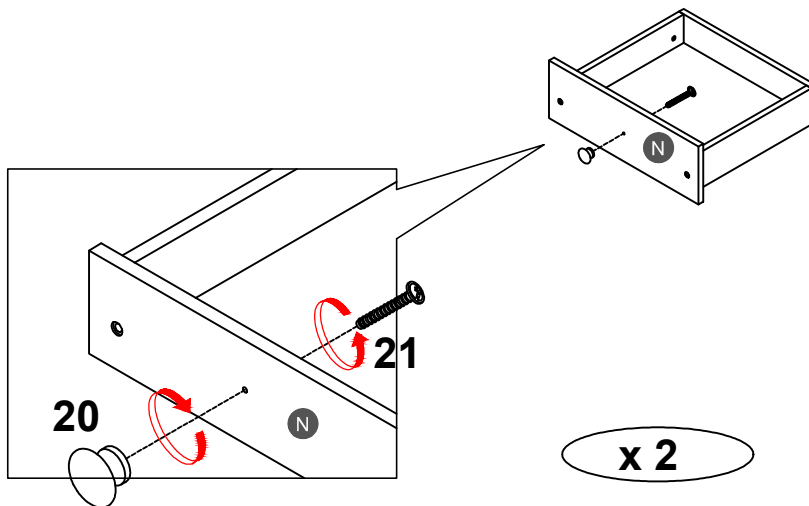
2		6	
4PCS		4PCS	
		12	
		4PCS	

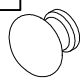

STEP 13:



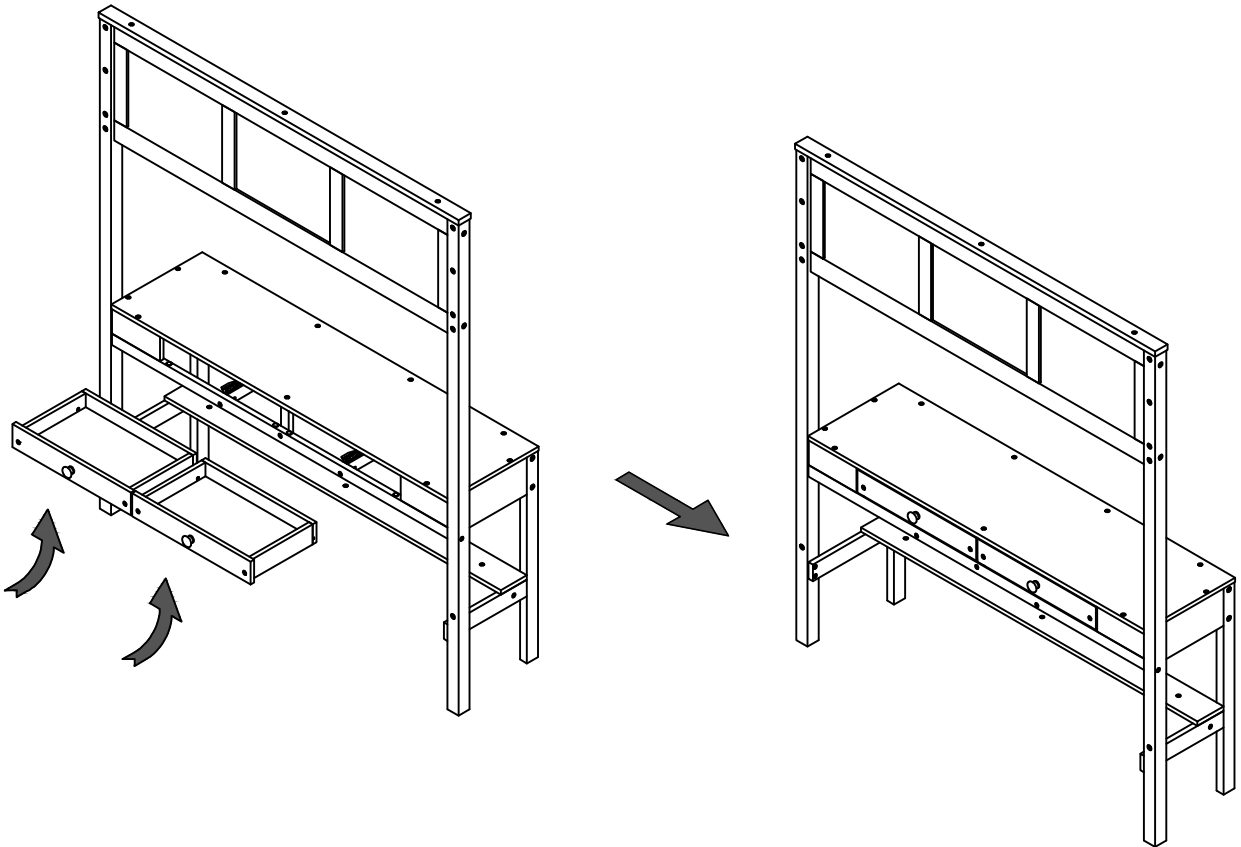
14		17	
6PCS		2PCS	

STEP 14:



20		21	
2PCS		2PCS	

STEP 15:

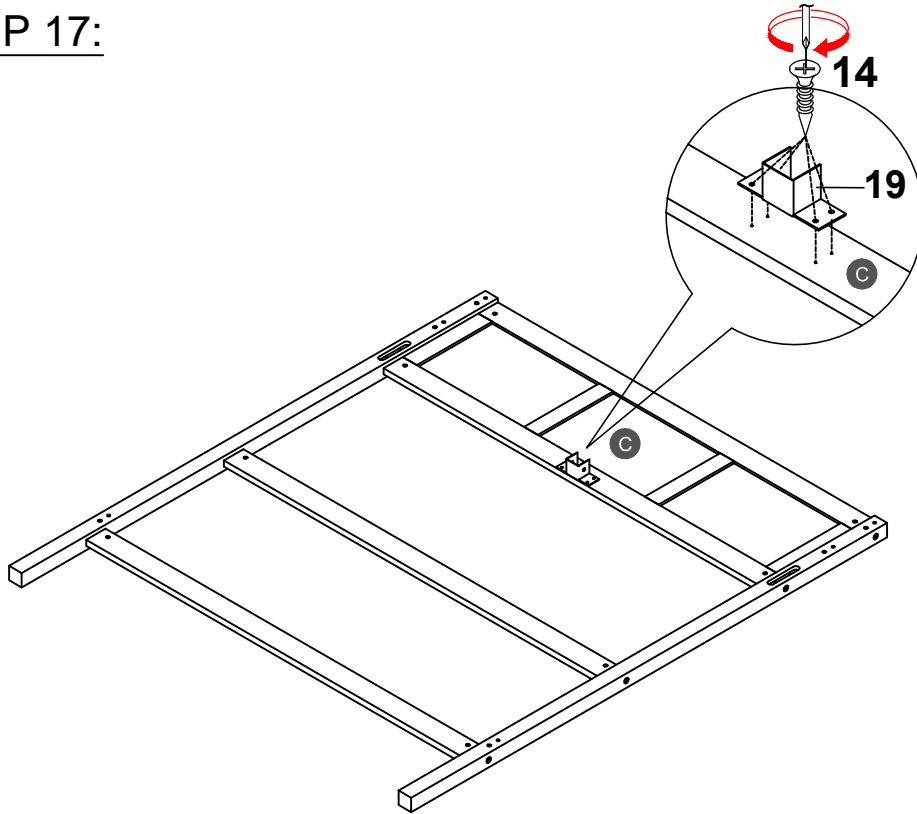



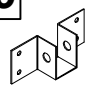
STEP 16:

4	
8PCS	
12	
8PCS	

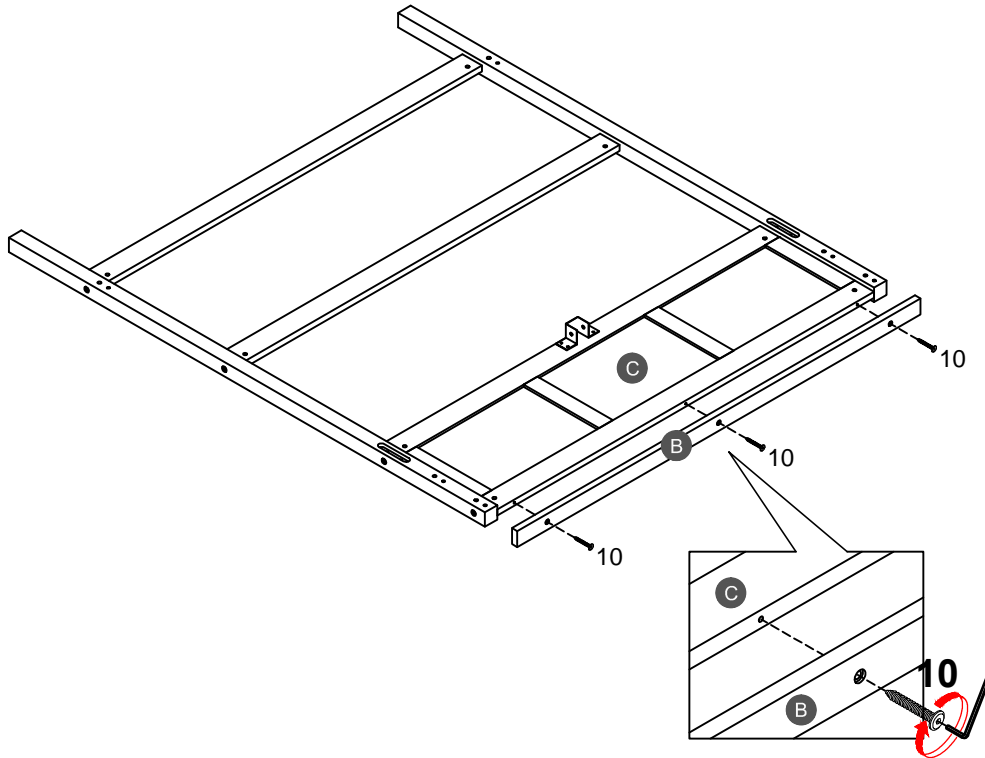
Note: Part 12 will face up with the "x" mark on it, otherwise it cannot be tightened


STEP 17:



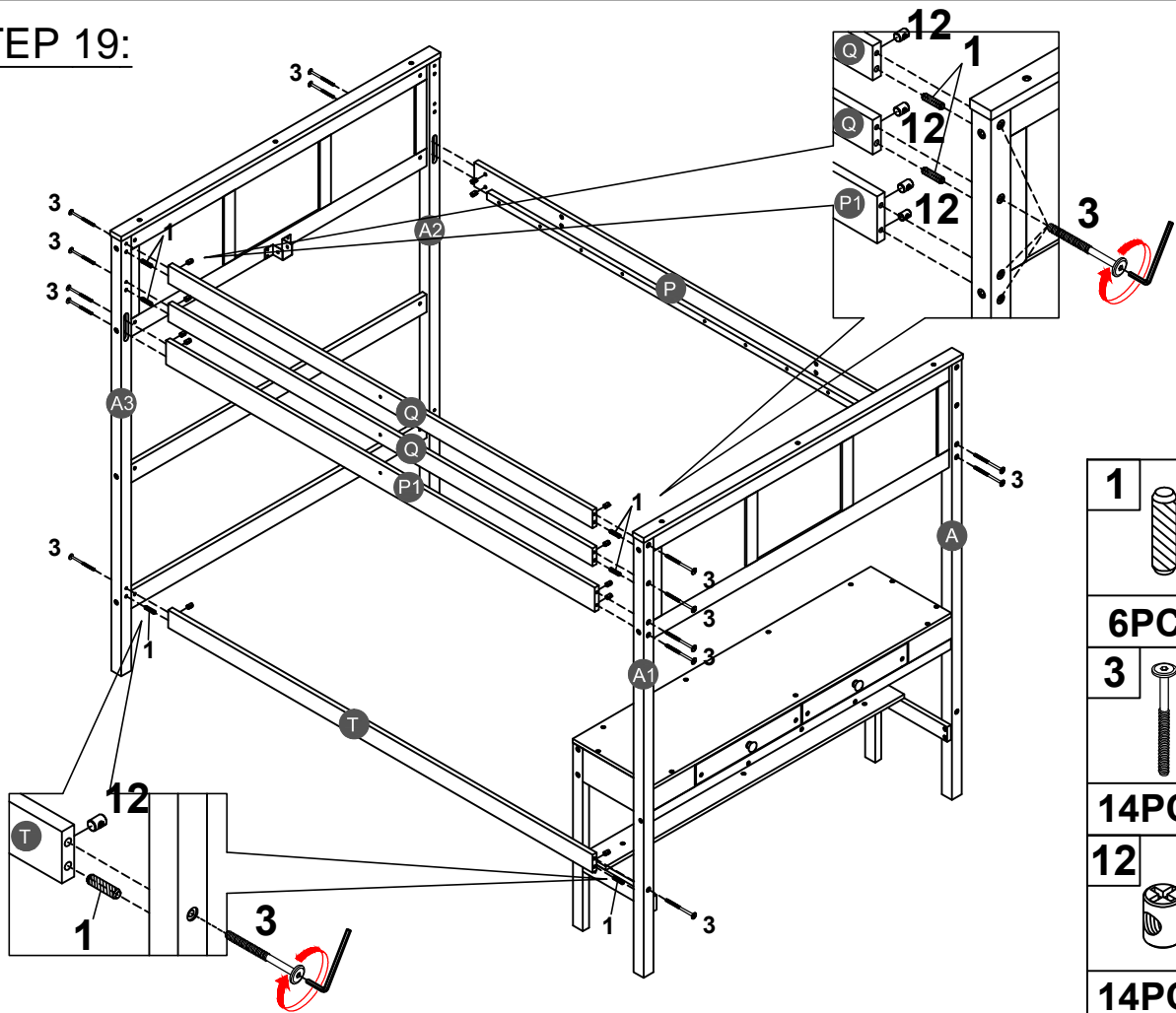
- 14** 
- 4PCS**
- 19** 
- 1PC**





STEP 18:



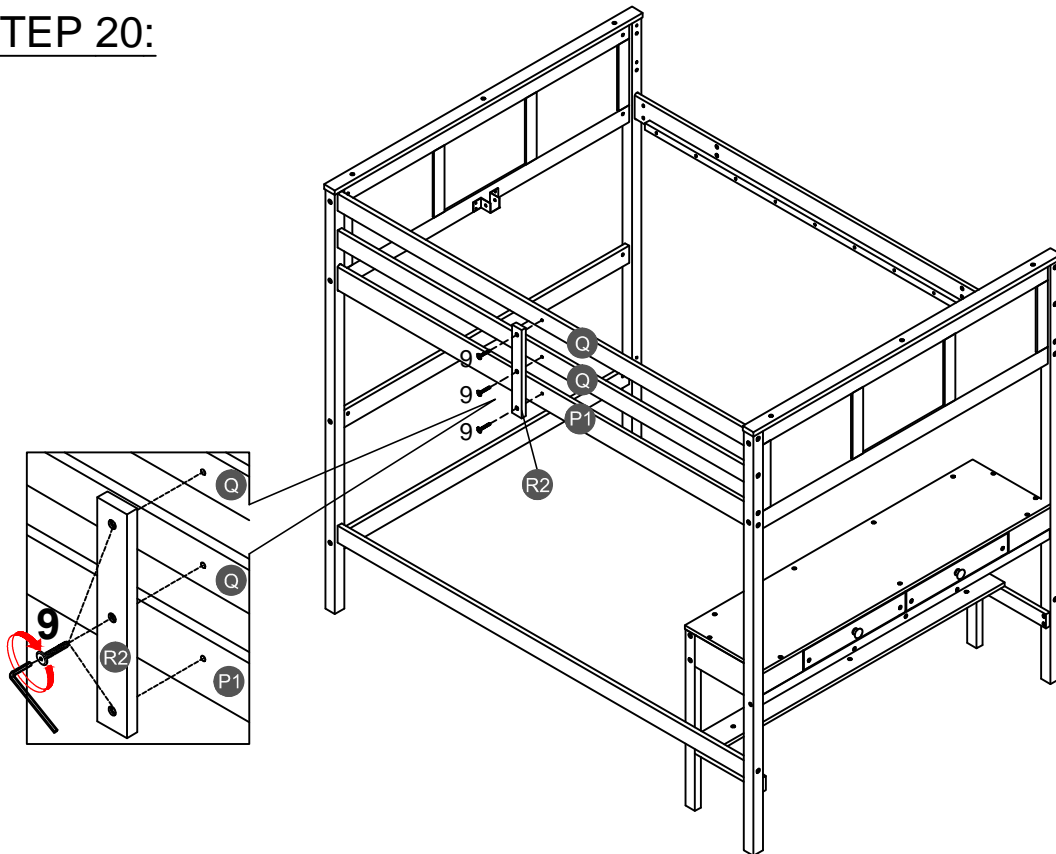
- 10** 
- 3PCS**

STEP 19:






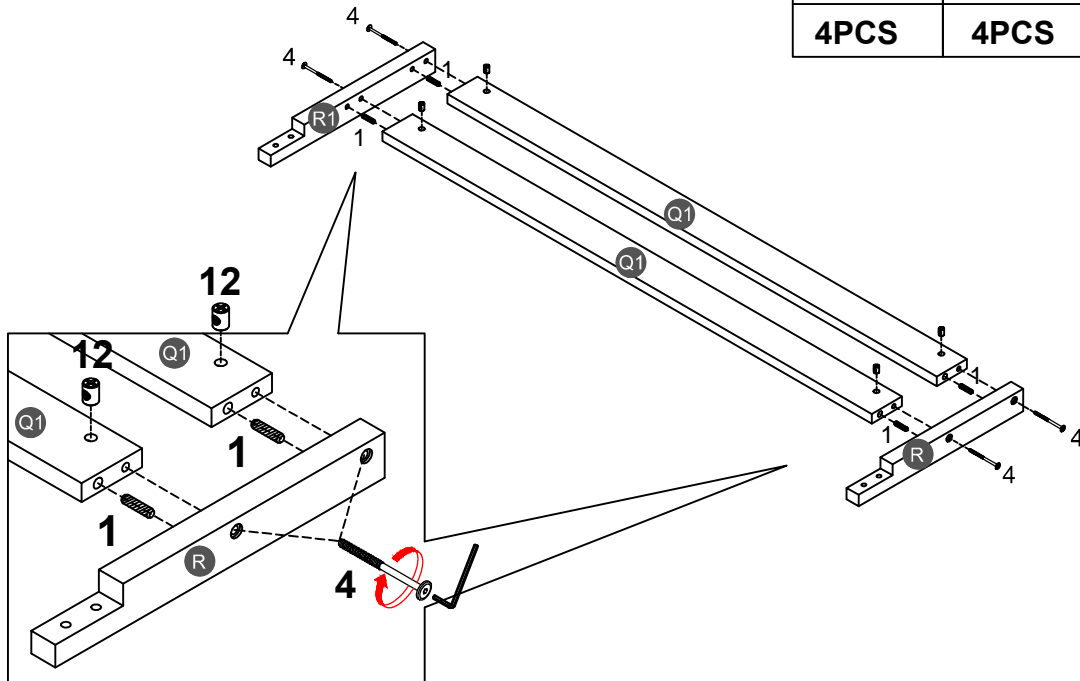
1	
6PCS	
3	
14PCS	
12	
14PCS	
9	
3PCS	

STEP 20:




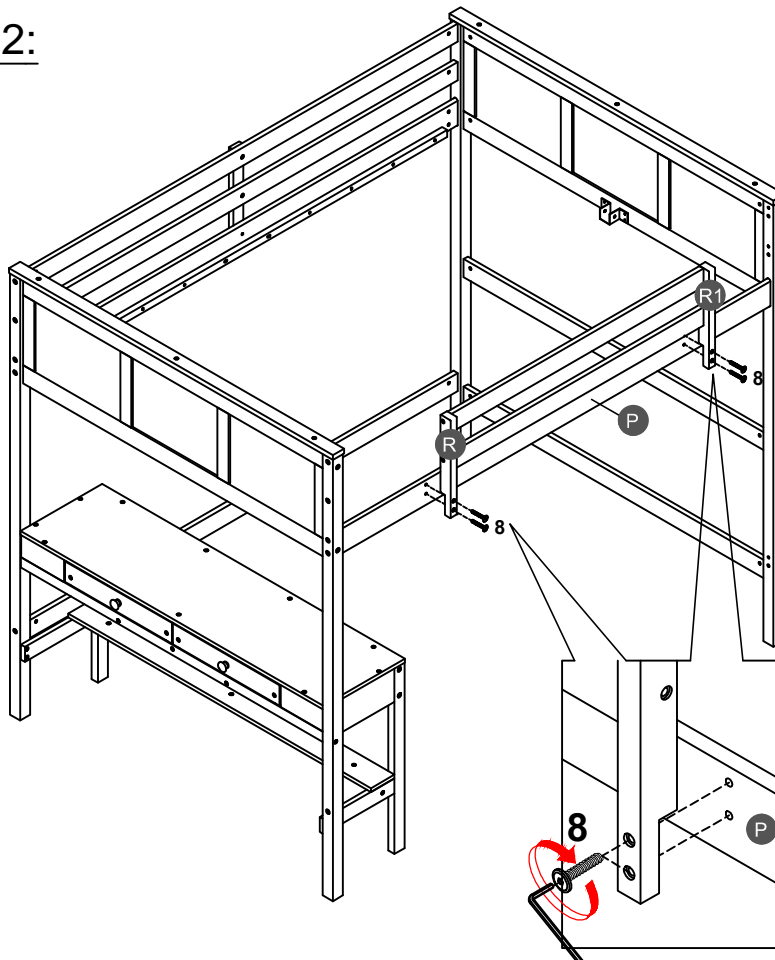
STEP 21:

1		4		12	
4PCS		4PCS		4PCS	



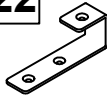



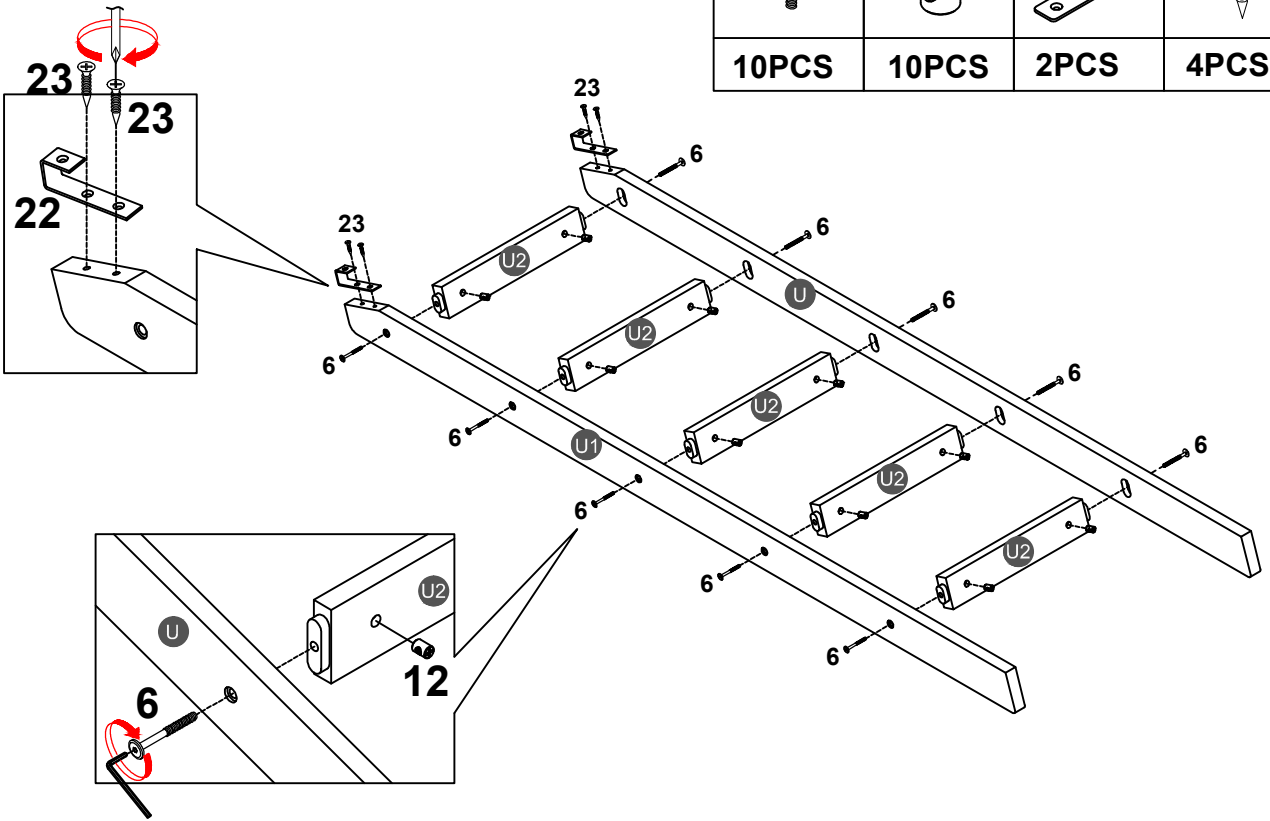
STEP 22:

8	
4PCS	




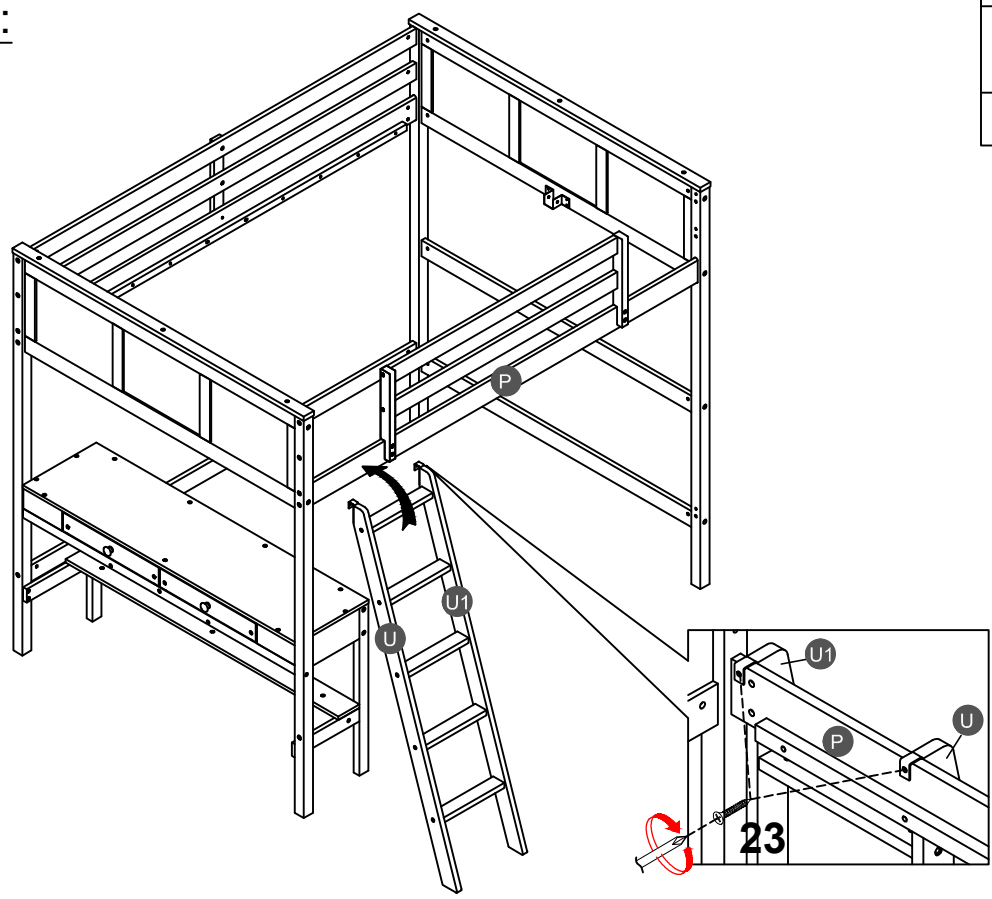
STEP 23:

6		12		22		23	
10PCS		10PCS		2PCS		4PCS	

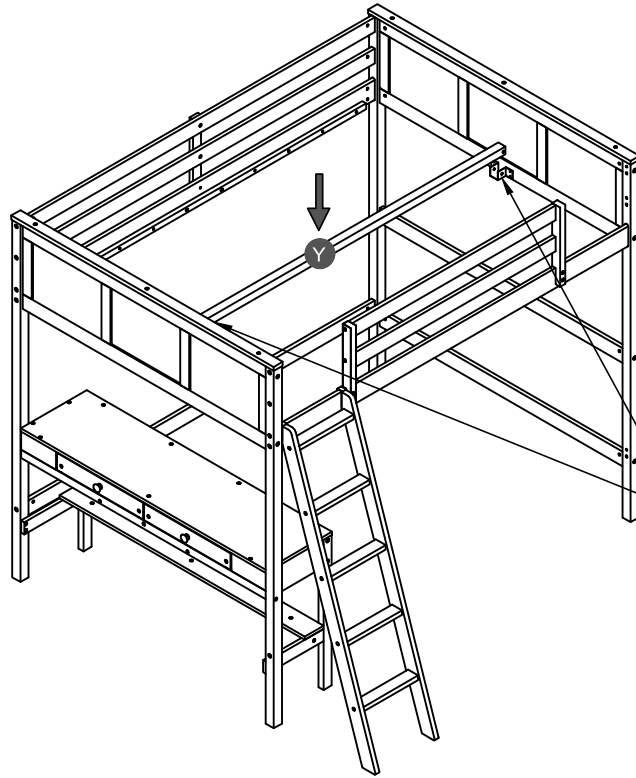


STEP 24:

23	
2PCS	

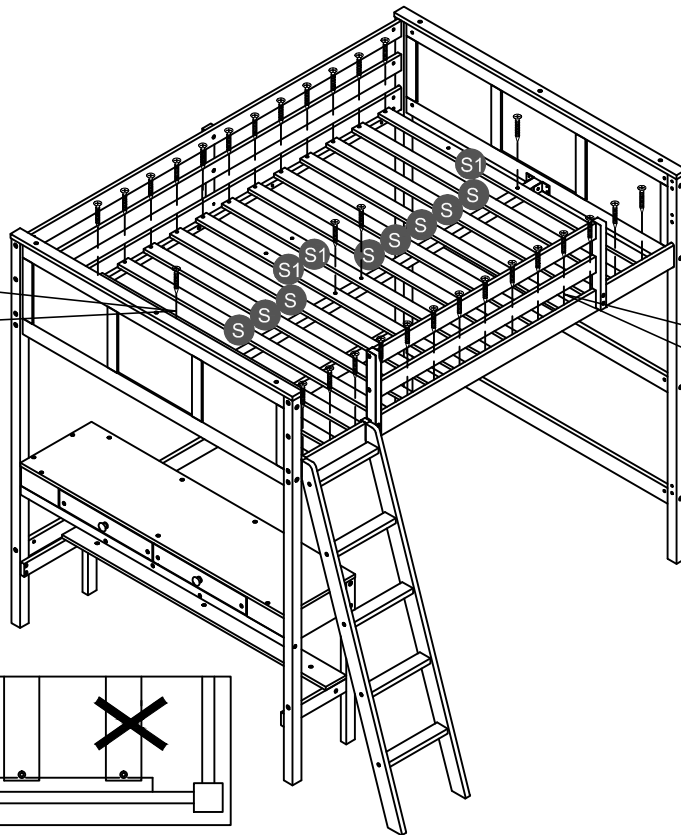
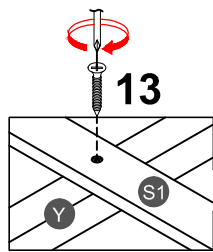


STEP 25:

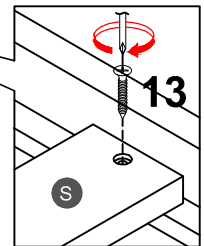


7		18	
2PCS		2PCS	

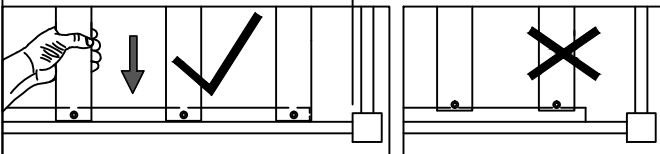
STEP 26:



13	
32PCS	

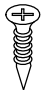
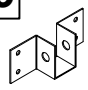


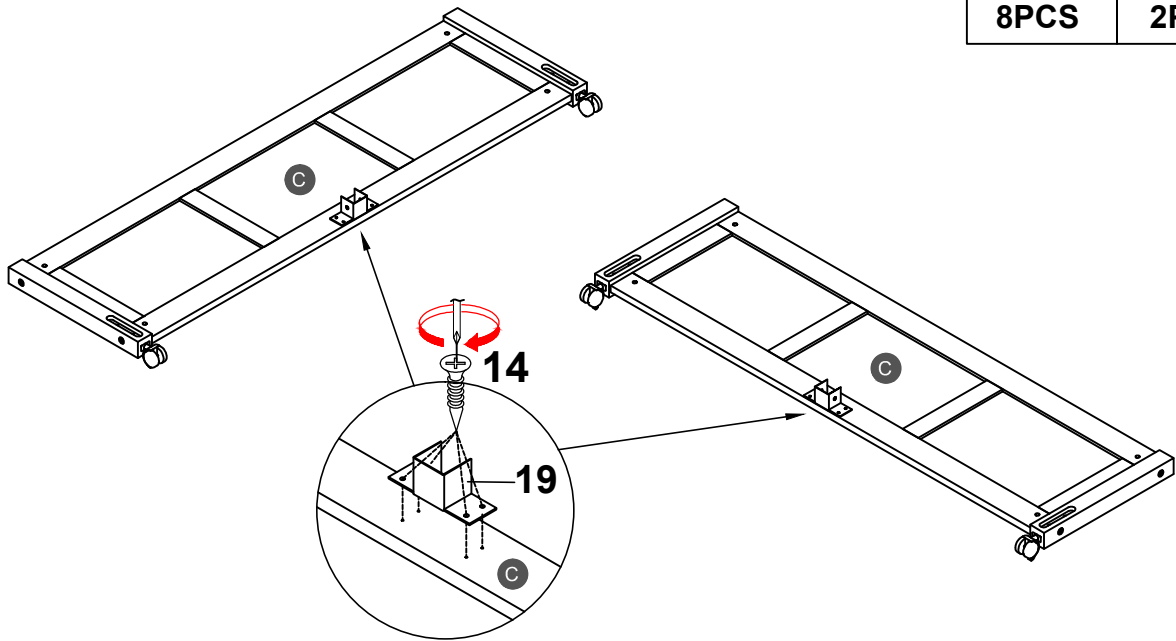
3.1 " 79mm 3.3 " 84.5mm 2.4 " 61mm





Note: Do not lock the screws of the bed slats to the outermost edge of the bed slats, you need to leave a certain space at the edges, otherwise it will cause the board to break. Do not lock the bed slats on the edge of the wood, please hold firmly before screwing, hold it in place with one hand, then lock the screw.

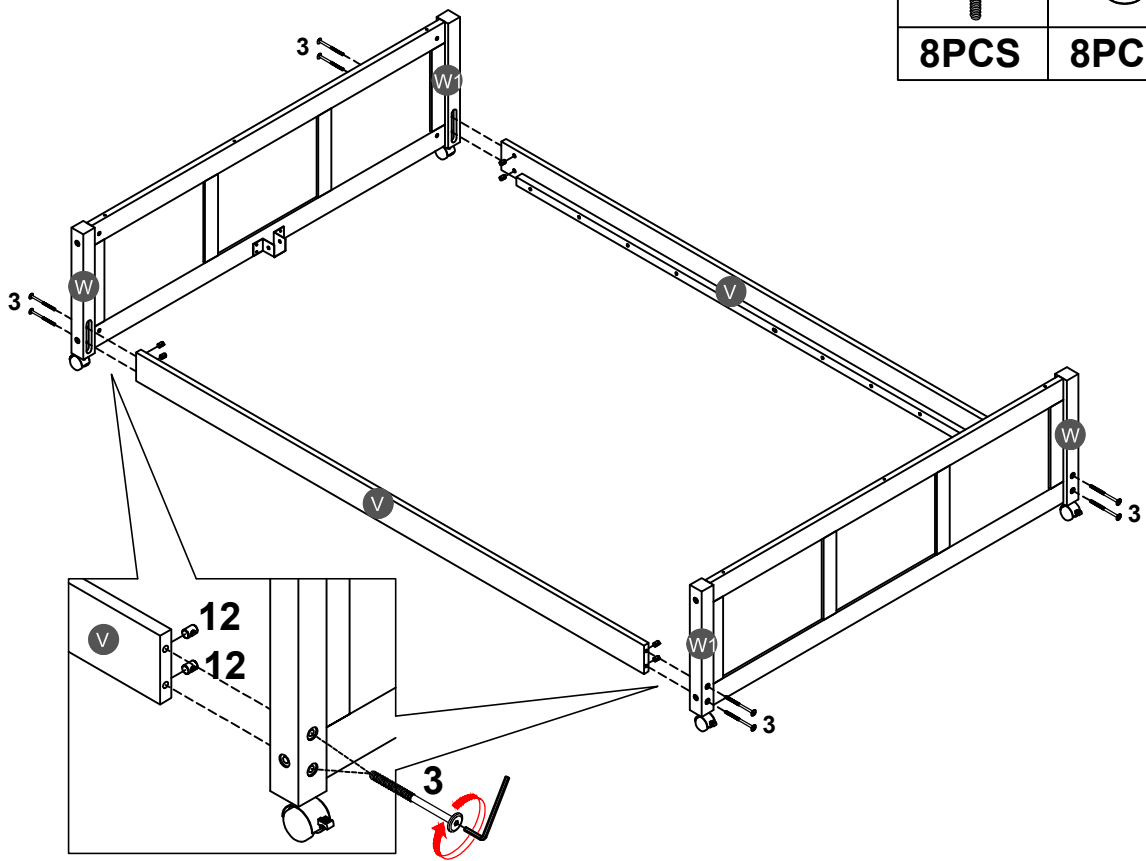
STEP 29:

14		19	
8PCS		2PCS	

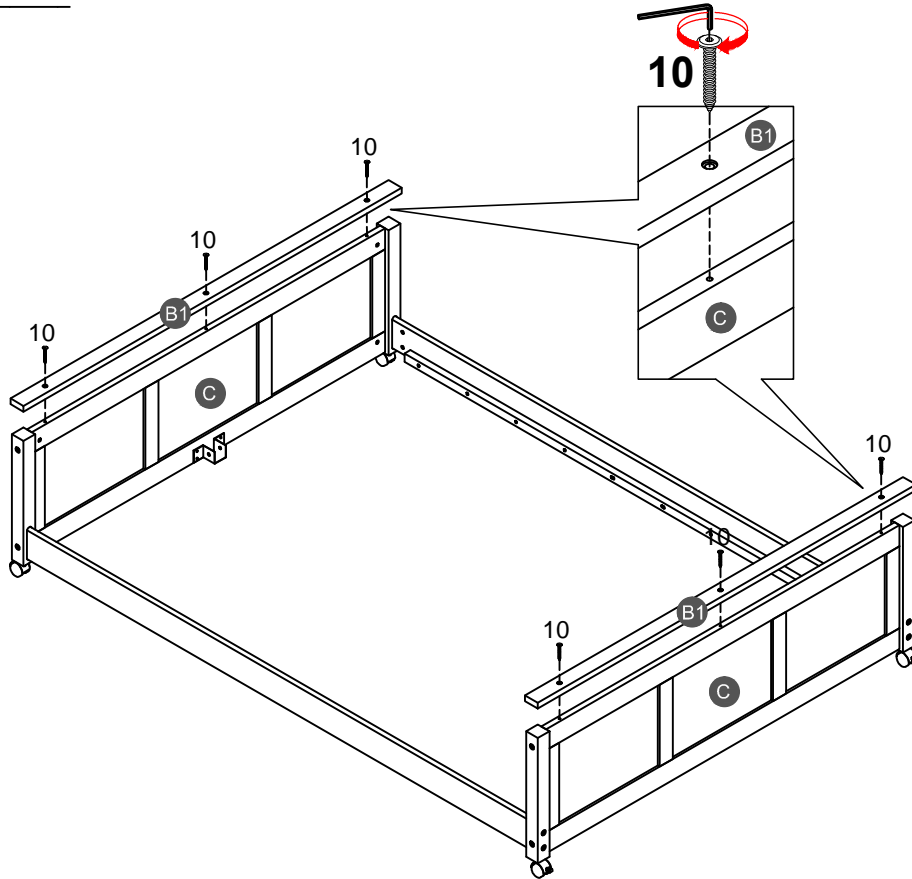



STEP 30:

3		12	
8PCS		8PCS	

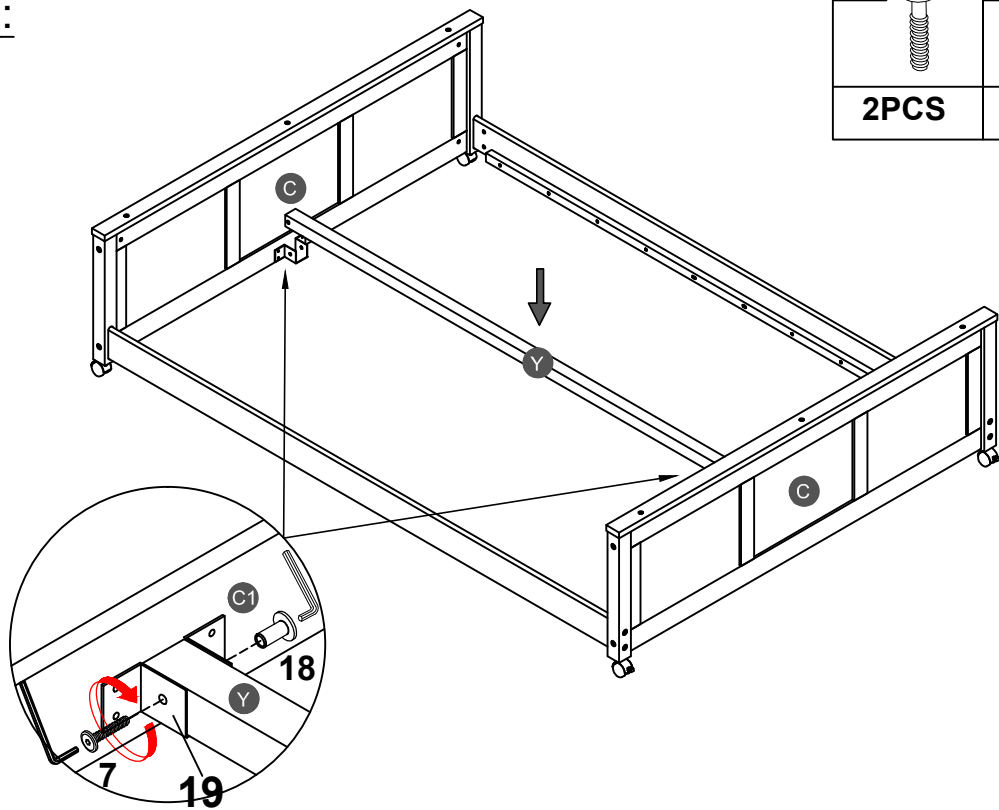


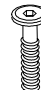
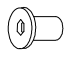
STEP 31:



10	
6PCS	

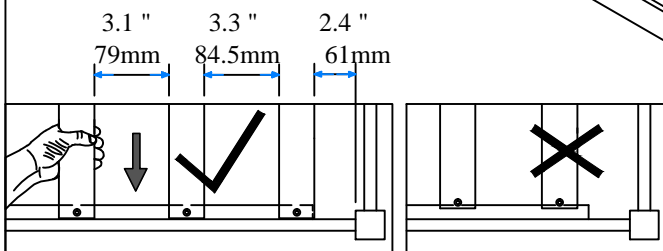
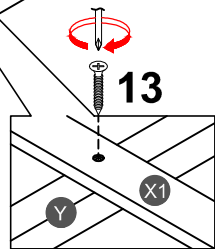
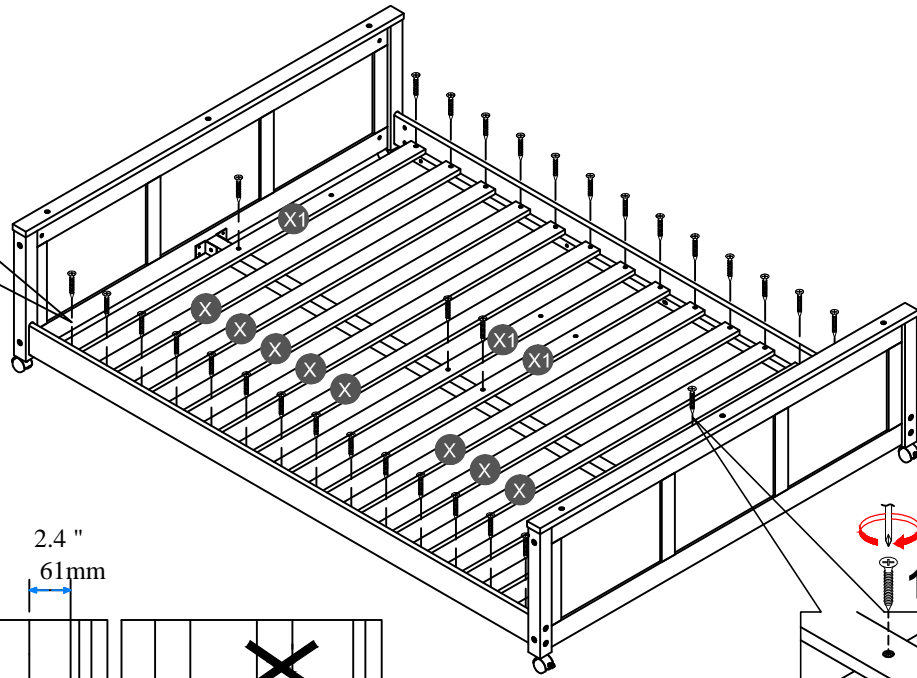
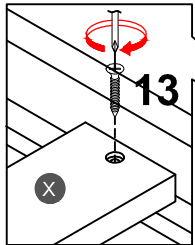
STEP 32:



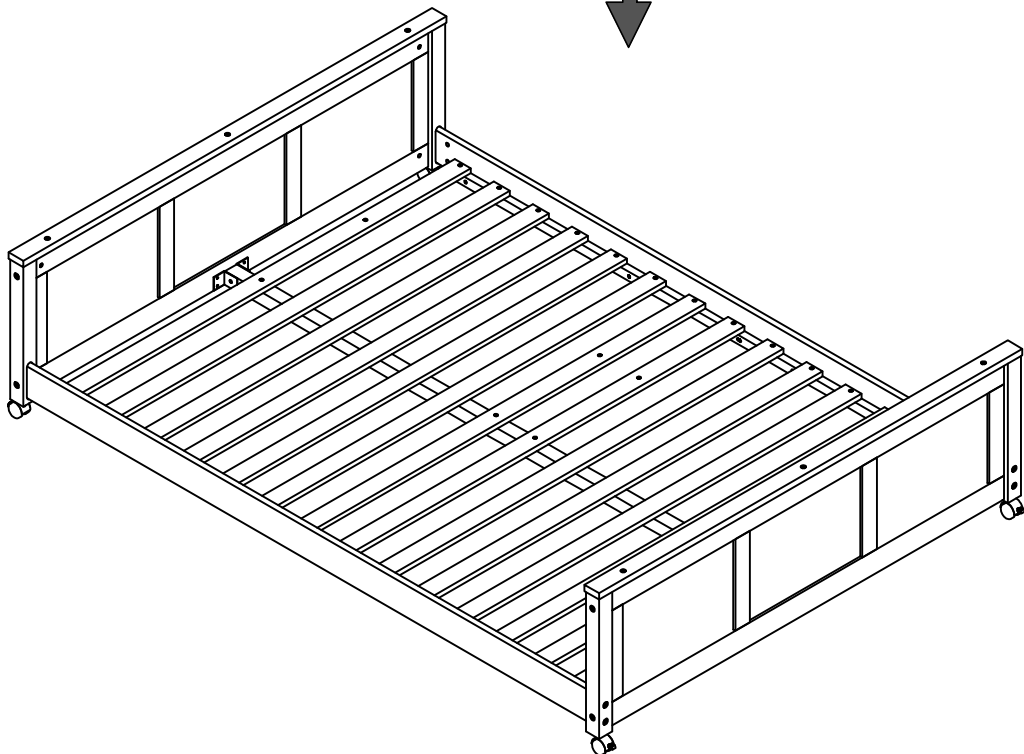
7		18	
2PCS		2PCS	

STEP 33:

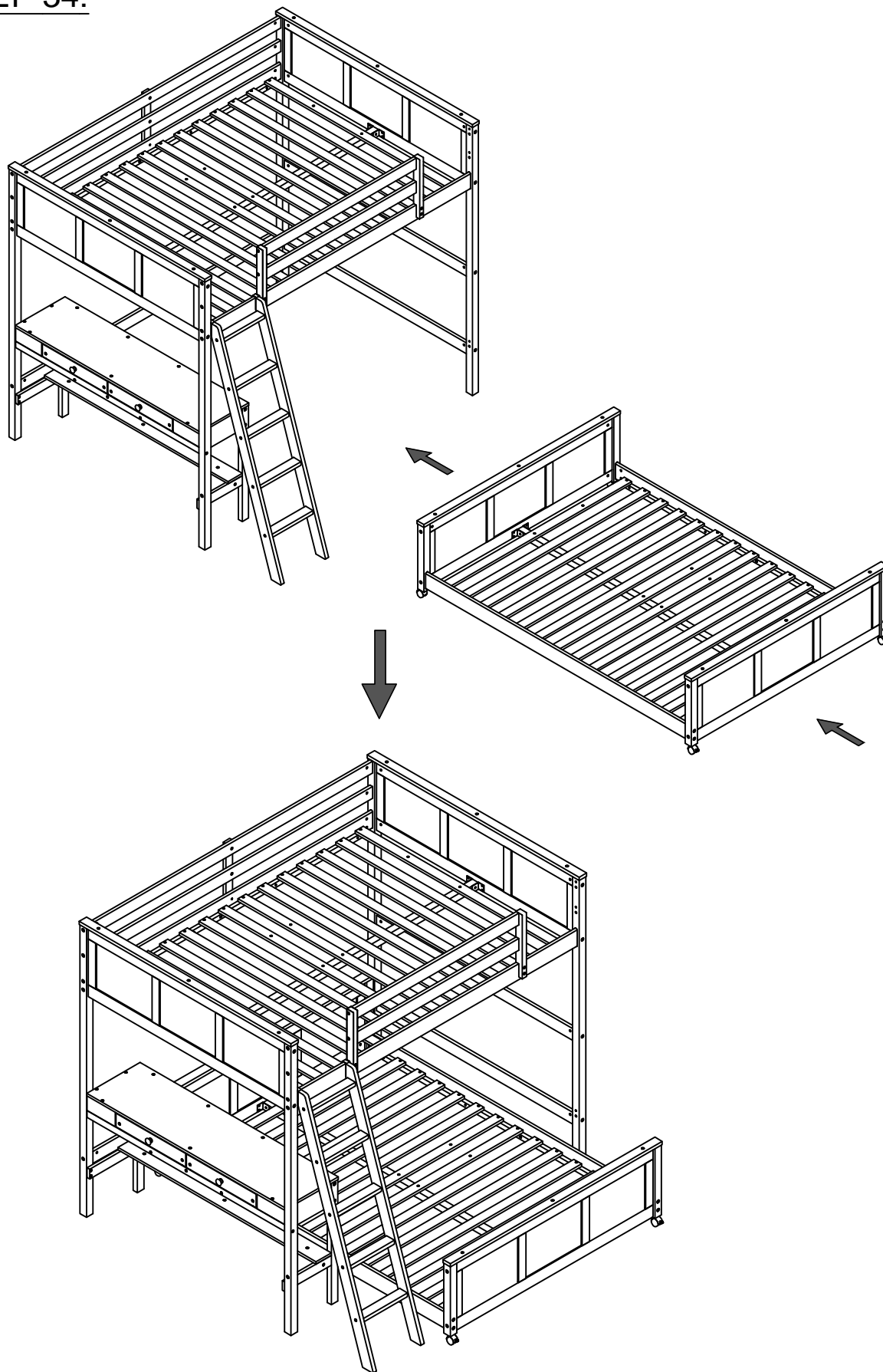
13
32PCS



Note: Do not lock the screws of the bed slats to the outermost edge of the bed slats, you need to leave a certain space at the edges, otherwise it will cause the board to break. Do not lock the bed slats on the edge of the wood, please hold firmly before screwing, hold it in place with one hand, then lock the screw.



STEP 34:



Make sure to tighten all the screws of the bed.