

Assembly Instructions

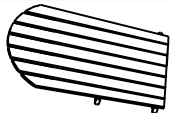
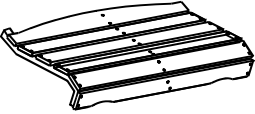
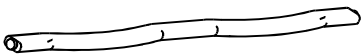




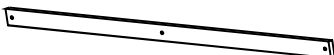
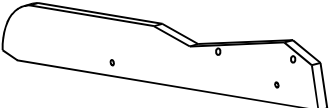
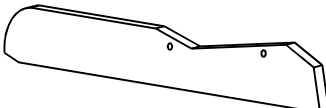
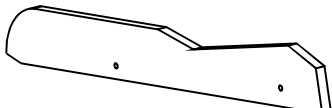


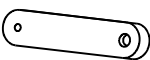
Caution: You must read this before you proceed

LOVESEAT




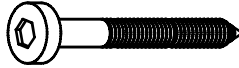






CAUTION : This LoveSeat chair is NOT a TOY.
Keep your child / children at bay during the assembly process.
For moving the LoveSeat and to prevent damage to the love seat, two adults are needed to execute this action.

Parts List

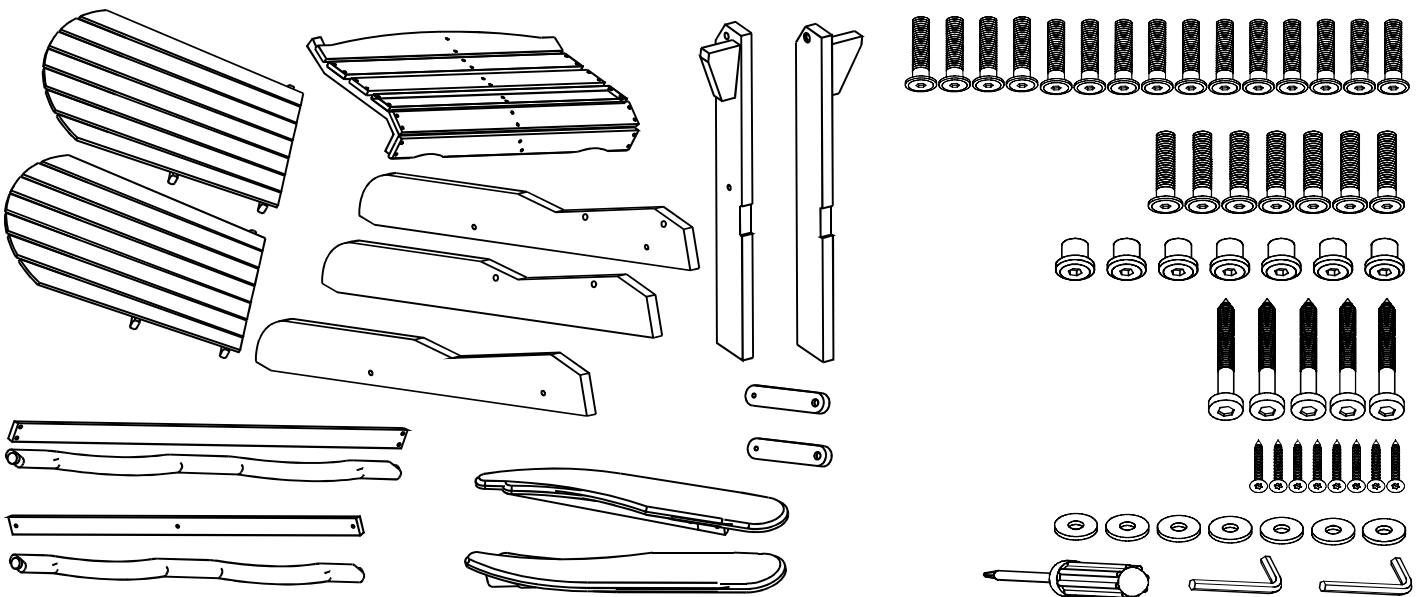
Label	Picture	Description	QTY
A		Backrests	2
B		Seat Panel	1
C		Long Backrest Support	1
D		Short Backrest Support	1
E		Short Left Leg	1
F		Short Right Leg	1
G		Front Support	1
H		Back Support	1
I		Long Right Leg	1
J		Long Middle Leg	1
K		Long Left Leg	1
L		Right Armrest	1
M		Left Armrest	1
N		Folding Support Bars	2

Parts List

Label	Picture	Description	QTY
①		Bolt (M6x35)	15
②		Bolt (M8x35)	7
③		Sleeve Nut (M8x15)	7
④		Long Screw (M7x70)	5
⑤		Screw (M4x30mm) (Use with Screwdriver)	8
⑥		Plastic Washer	7
⑦		Allen Key	2
⑧		Screwdriver	Not provided

Assembly Preparation

Before Beginning Assembly:



- Read instructions, cover to cover-



- Have 2 adults on hand for assembly-



- Do not assemble on flooring or carpet-



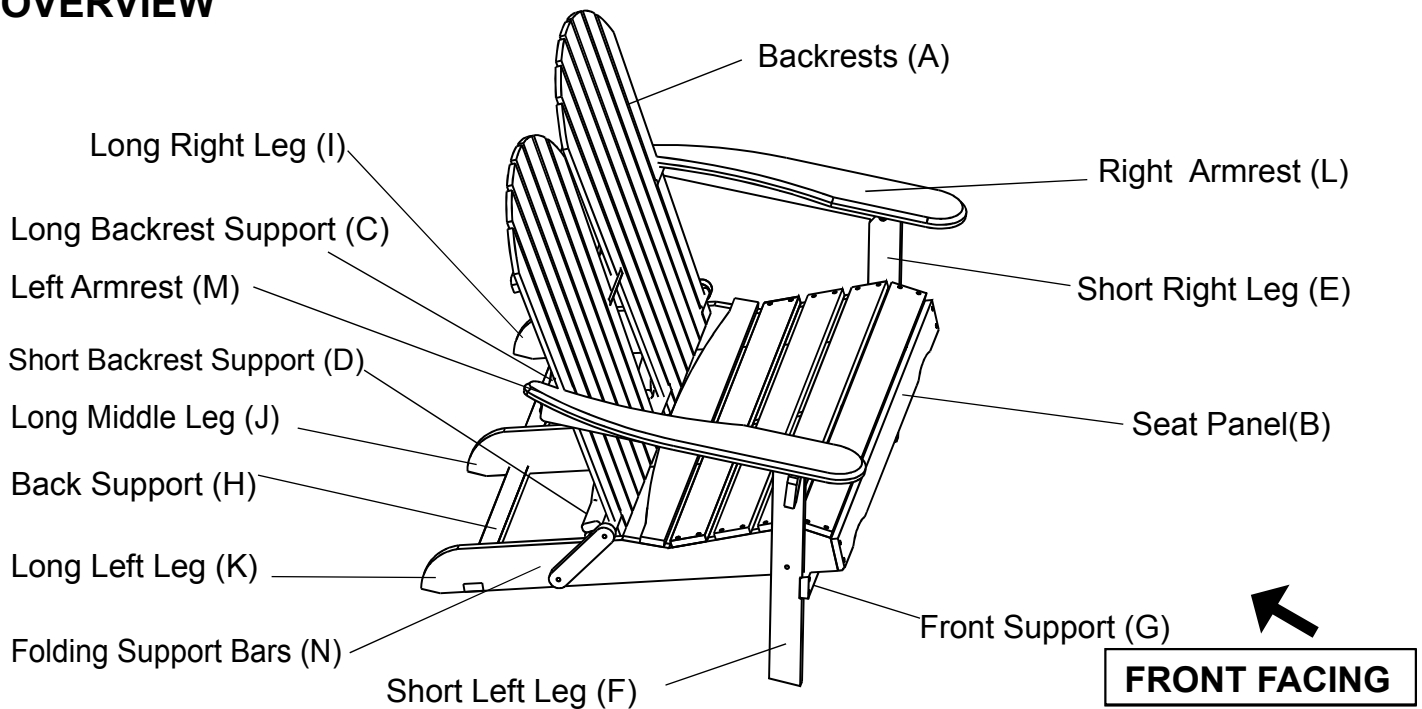
- Assemble on a clean non-marring surface (packing foam)-



- Save all packaging until finished-

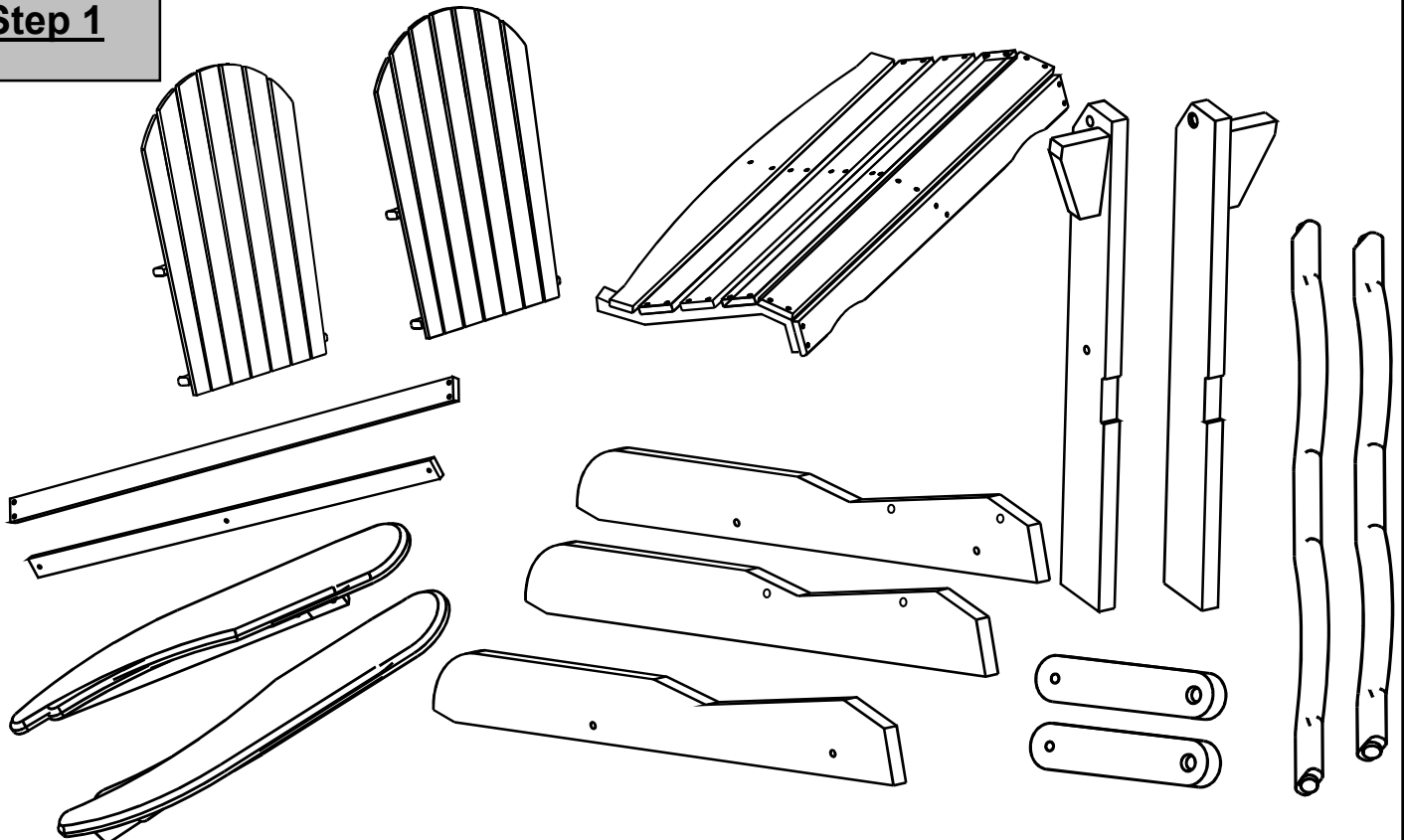
Assembly Steps

OVERVIEW



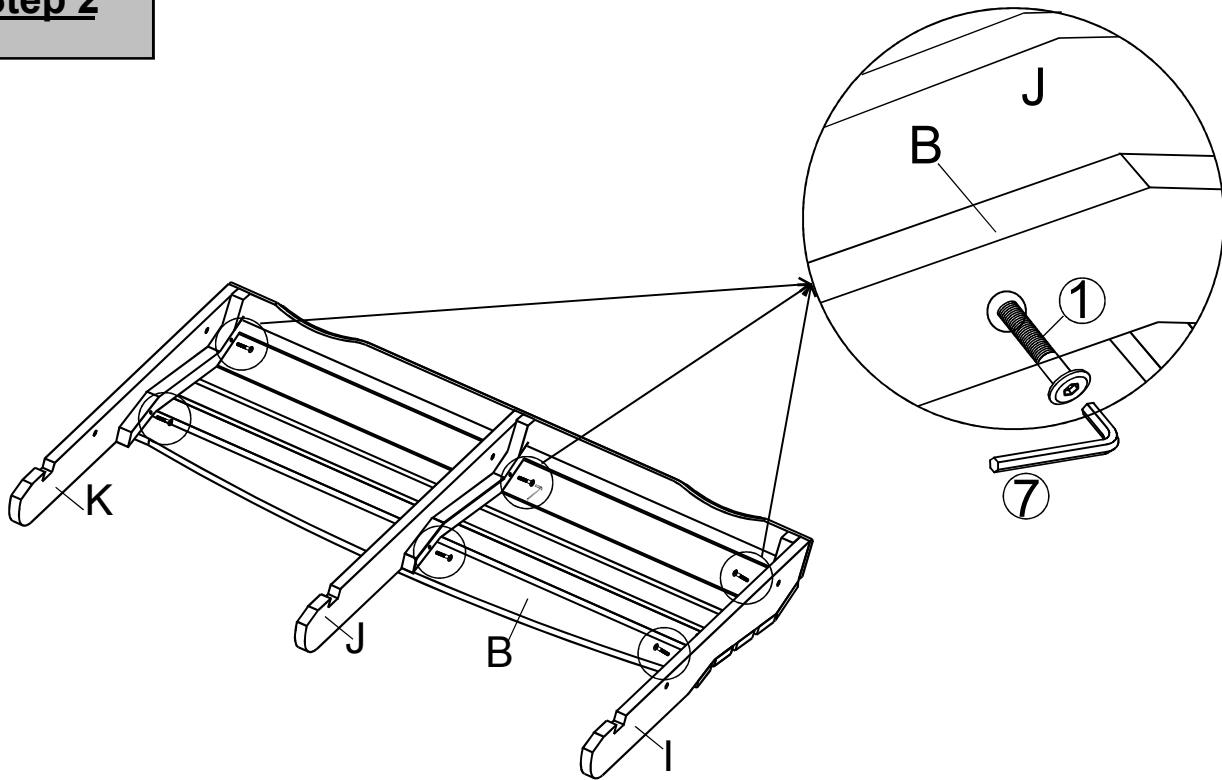
This LoveSeat has multiple parts and may require up to 30 minutes to assemble. To give you an overview of the LoveSeat parts, the above picture is to help you put the various parts into perspective. Please read through the instructions below to familiarise yourself with the parts and steps before assembly.

Step 1



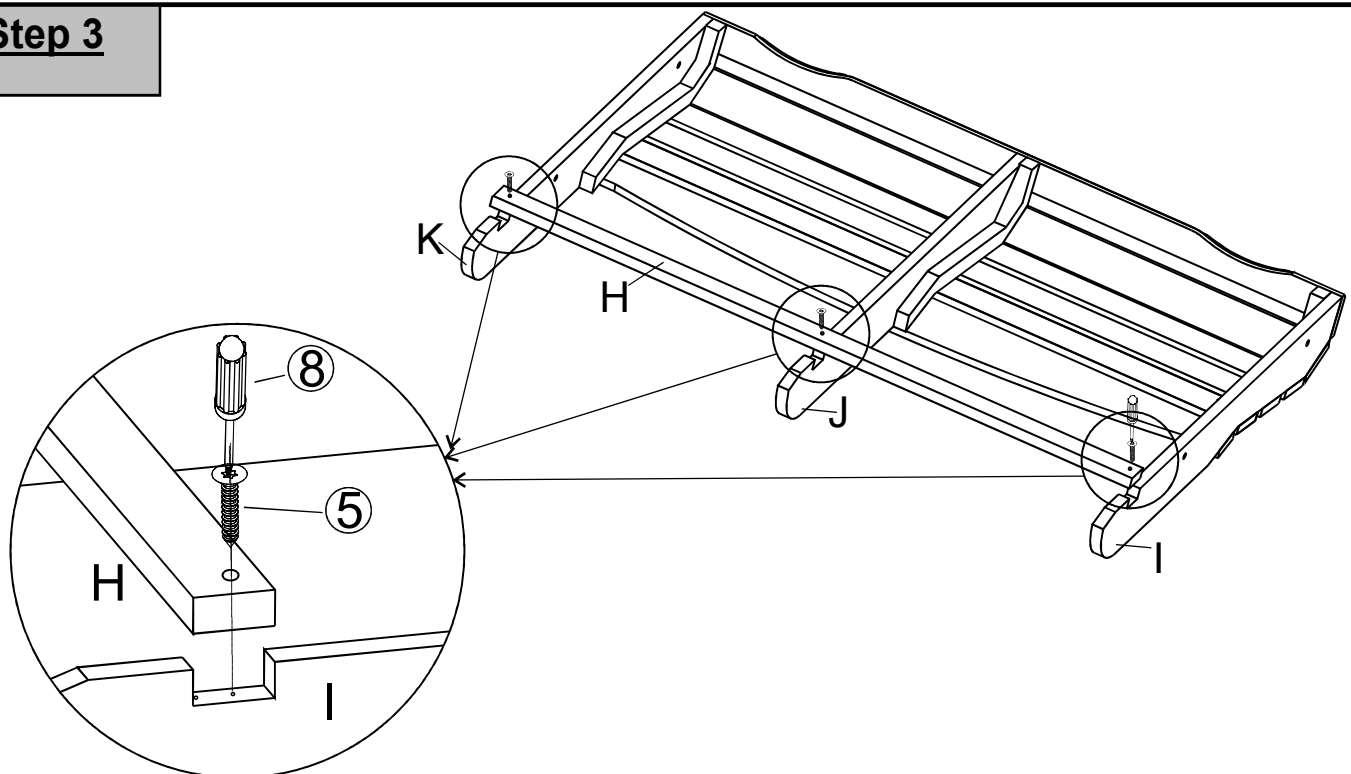
Unpack and place all parts on a clean, non-marring surface.

Step 2



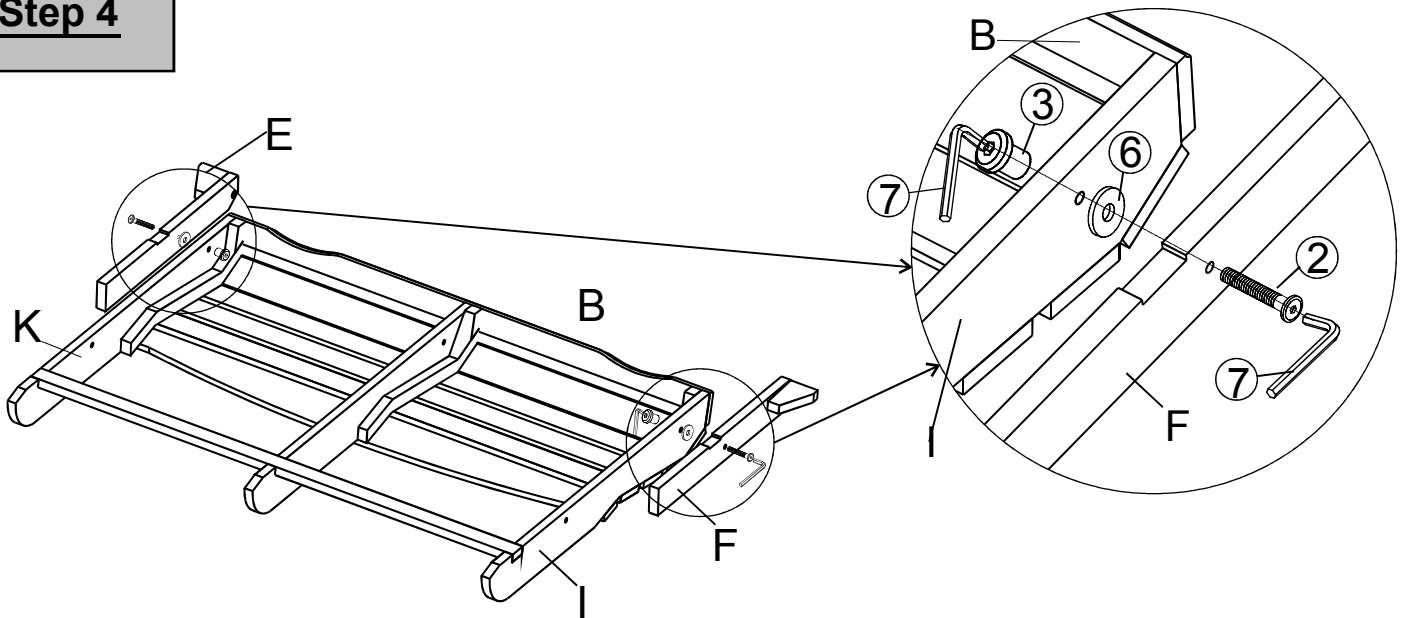
Place the Seat Panel(B) onto a clean, non-marring surface
Position Long Legs (I), (J), (K) onto the Seat Panel(B) and attach using 6
Screws(1) and Allen Key (7).

Step 3



Position Back Support (H) on to the tract of Long Legs (I), (J), (K) using 3
Screws(5) and Screwdriver (8).

Step 4

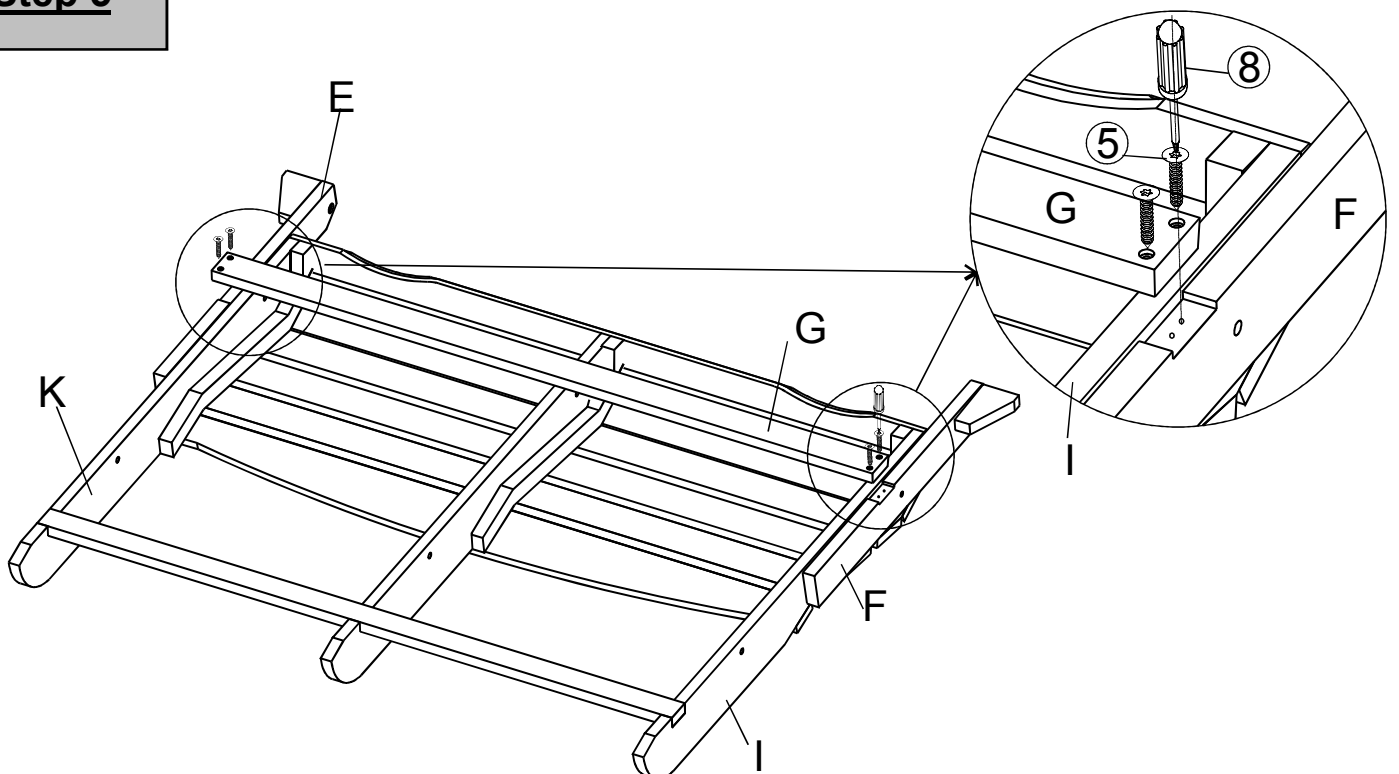


Attach Short Left Leg (E) and Short Right Leg (F) onto Long Left Leg (K) and Long Right Leg (I) using 2 Bolt (2), Plastic Washer (6) and Sleeve Nut (3) with Allen Keys (7).

Do not fully tighten Bolts.

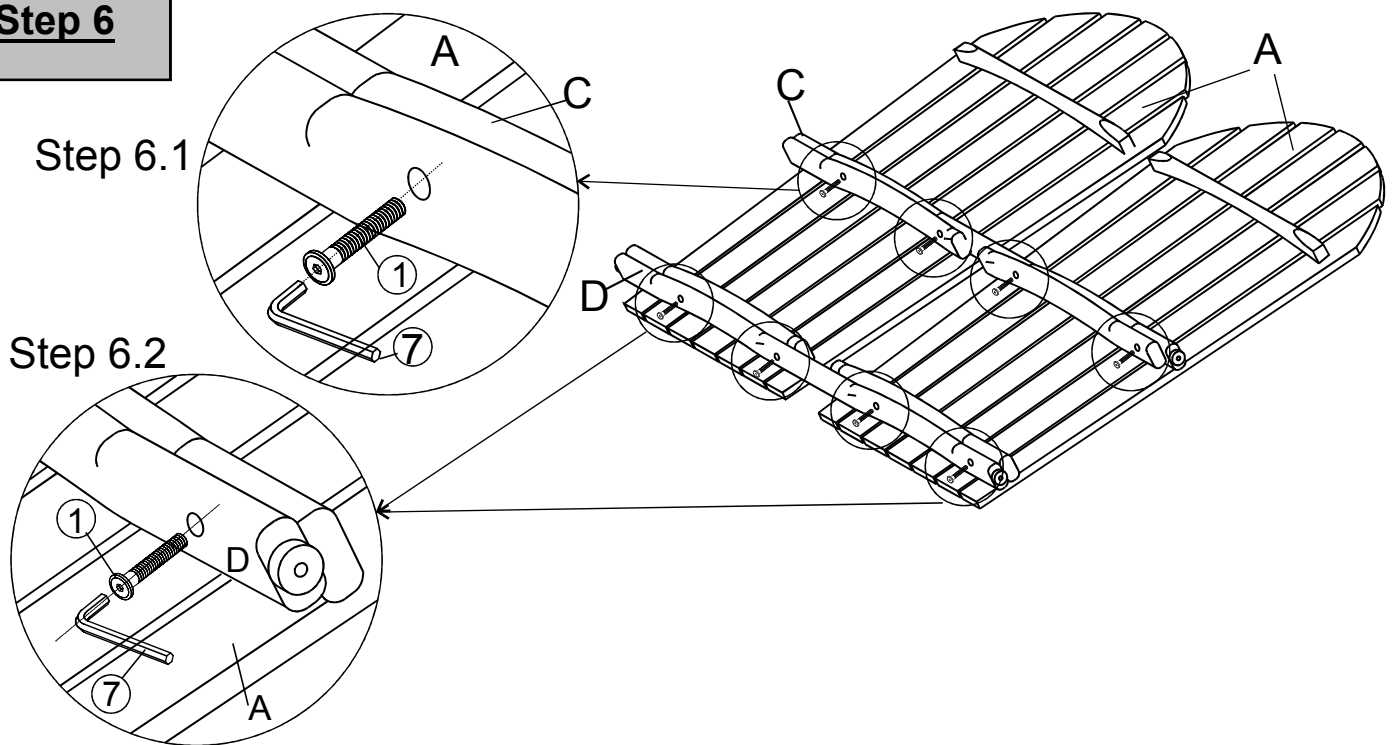
Note: Plastic Washer should be placed between Short Legs and Long Legs.

Step 5



Position Front Support (G) onto the tract of Short Legs (E), (F) using 4 Screws (5) and Screwdriver (8).

Step 6

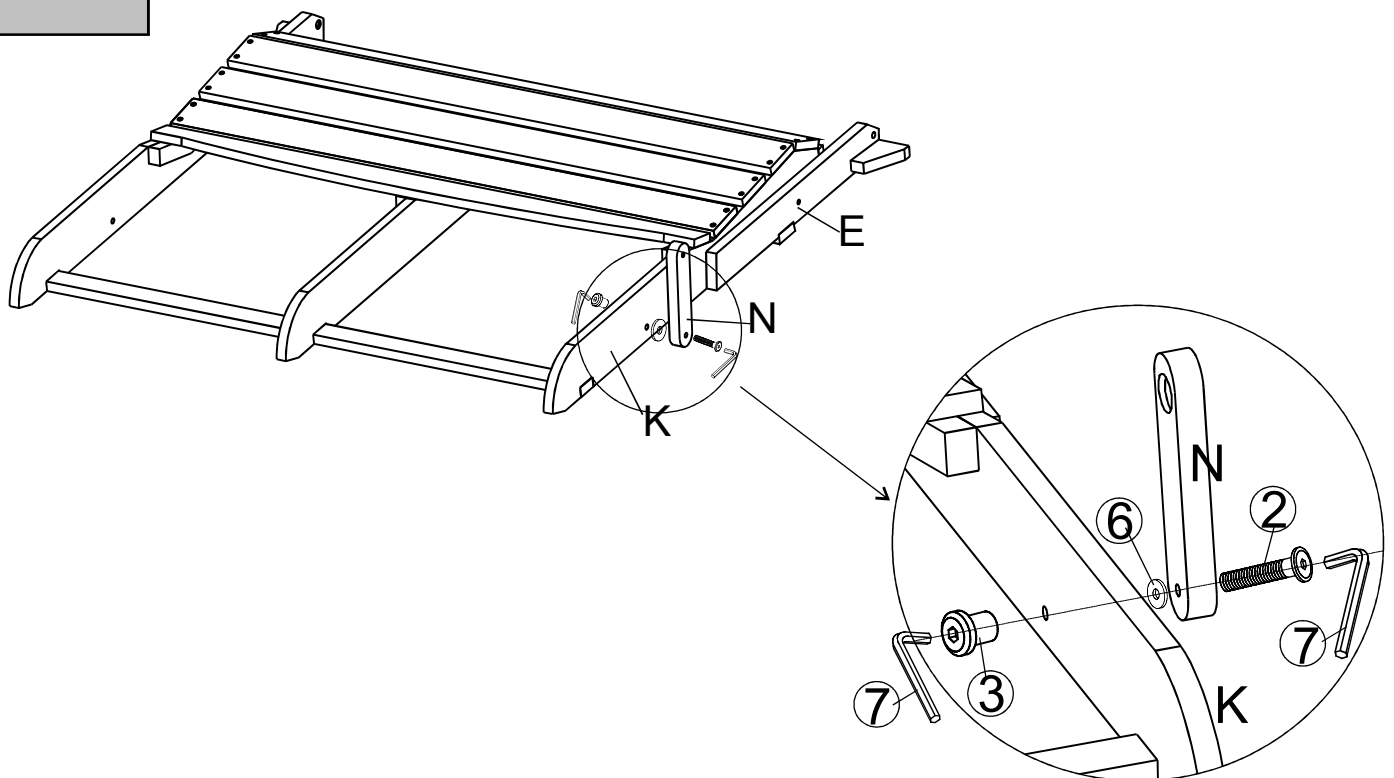


Place the Backrests (A) onto a clean, non-marring surface

Step 6.1: Position Long Backrest Support(C) onto the Backrests (A) and attach using 4 Bolts (1) and Allen Key (7).

Step 6.2: Position Short Backrest Support (D) onto the Backrests (A) and attach using 4 Bolts (1) and Allen Key (7).

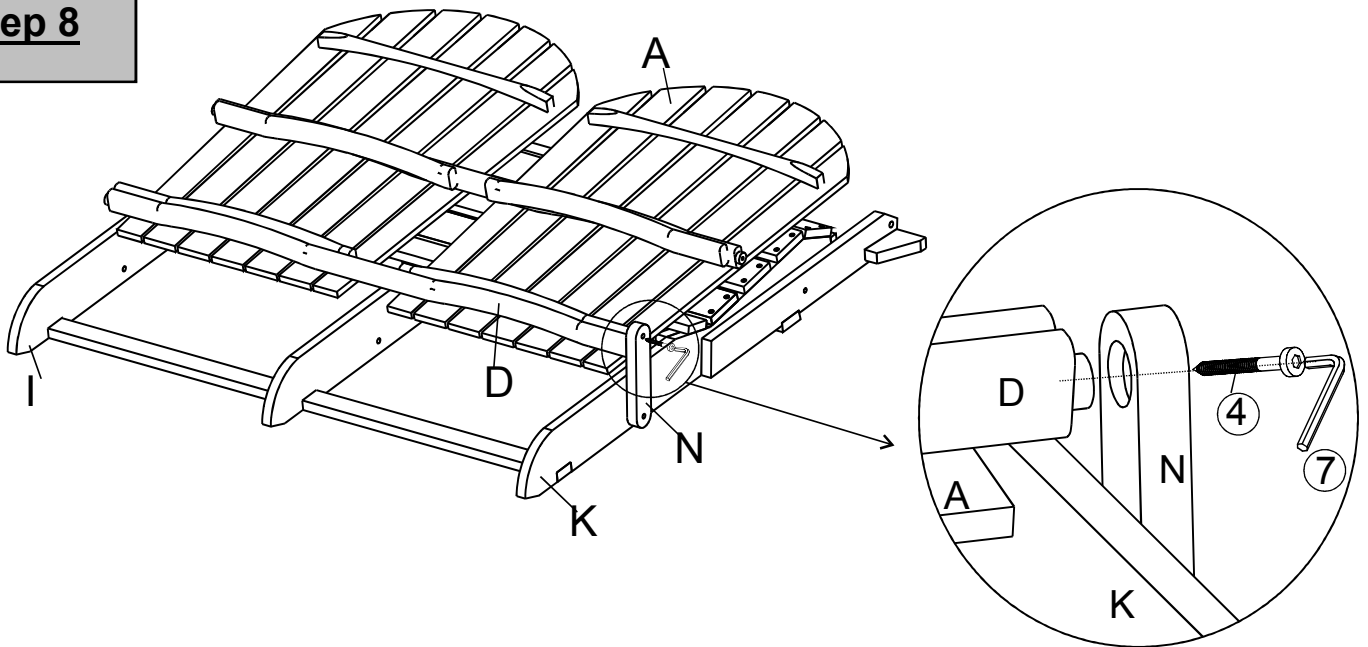
Step 7



Reverse Seat panel in Step 5 in the position as picture above

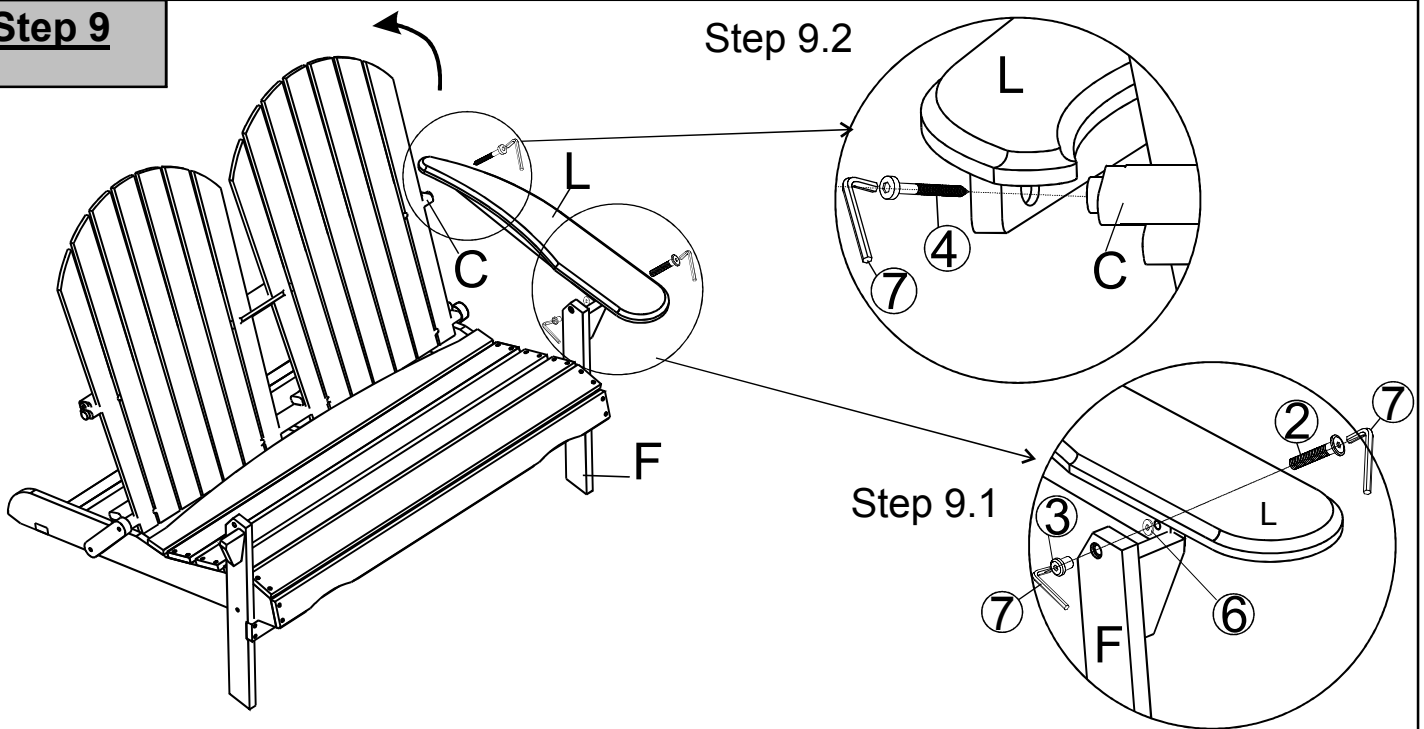
Attach Folding Support Bars (N) to Long Left Leg (K) using Bolt (2), Plastic Washer (6), Sleeve Nut (3) and Allen Key (7).

Step 8



Place the Backrests (A) onto Seat panel
Position Backrest panel (A) with mortise into housing of Folding Support Bar (N)
using Long Screws (4) and Allen Key (7).
Repeat the same process with the second Folding Support Bar(N).

Step 9



Open Backrest(B) as indicated with the arrow.

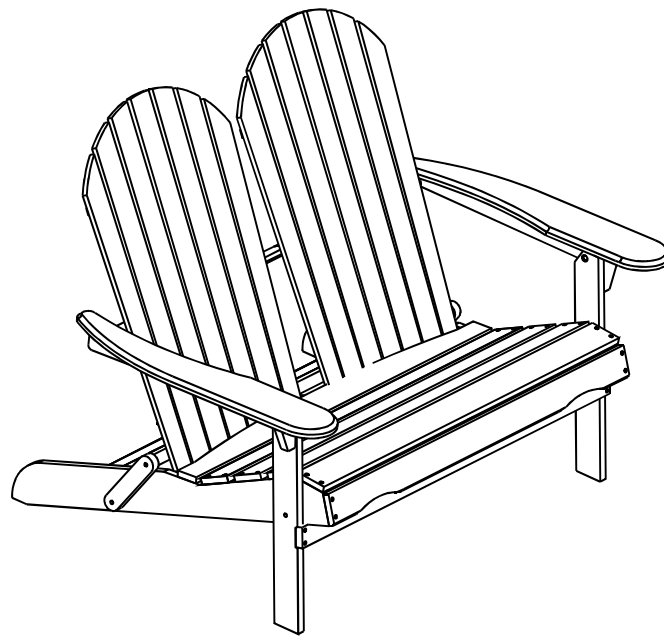
Put tenon of Long Backrest Support (C) into the hole of Right Armrest (L)

Step 9.1: Secure Right Armrest (L) to Short Right Leg(F) using Bolt (2), Plastic Washer (6), Sleeve Nut (3) and Allen Key (7).

Step 9.2: Attach Right Armrest (L) to Long Backrest Support (C) using Long Screw (4) and Allen Key (7)

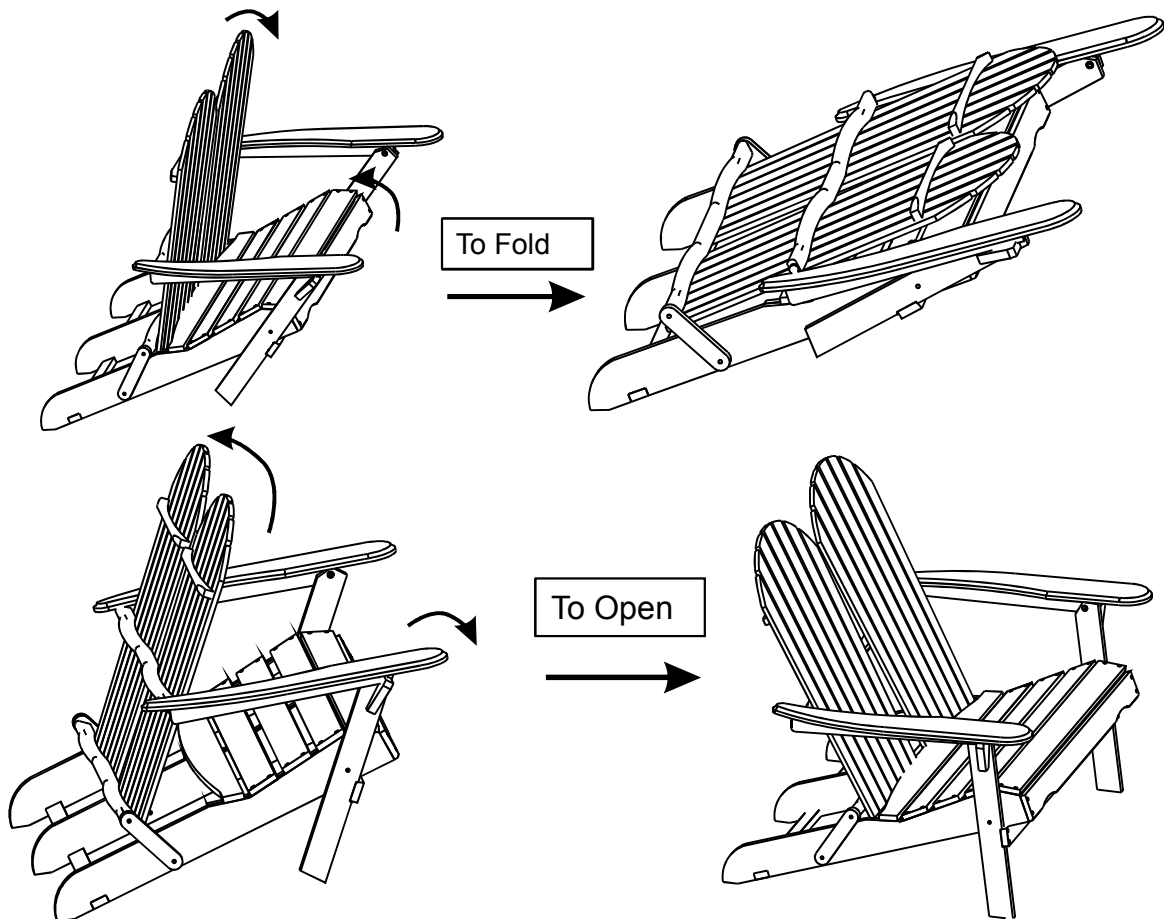
Repeat the same process with the second Left Armrest (N).

In a sequential manner, tighten all Bolts and Screws at all joints until fully locked into position



Your Love Seat is ready for use.

This LoveSeat can only be used on a flat, level surface.





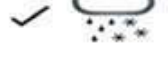

This Rocking Adirondack can be folded shut.

To fold this LoveSeat, raise up Backrest and fold Seat with Leg Frame as indicated by the arrows, by hand, until the Love Seat folds shut .

To open this LoveSeat, open Backrest and Seat as indicated by the arrows, by hand until the Folding Support Bars folds out and locks into position.

Note: This LoveSeat is slightly heavy, do exercise caution to avoid injury.

Care & Maintenance

-  ● Do not put hot items directly on furniture surface
 -  ● Do not clean furniture with harsh cleansers or polish.
 -  ● To obtain the longest lifespan of your outdoor products, minimizing exposure to direct sunlight is recommended.
 -  ● Children should not climb or jump on the furniture.
 -  ● Do not write on furniture without a padded barrier to protect the surface.
 -  ● To obtain the longest lifespan of your outdoor products, avoid extended and lengthy exposure to rain, snow, and direct sunshine. Whenever possible cover the product and /or place under patio or awnings.
 -  ● Not for commercial use. For residential use only .
 -  ● Stains may be removed with mild soap solution and damp cloth.
-
-  ● Dust and pick-up spills using a clean, non-colored, lint-free cloth .