
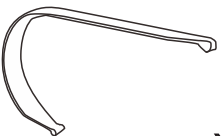
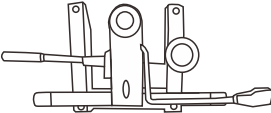

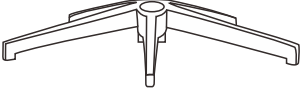






ITEM NAME /NOM D' ITEM:GLIDER HI BACK OFFICE CHAIR

ITEM # /NO. ITEM:100372 (WHITE/BLANC)

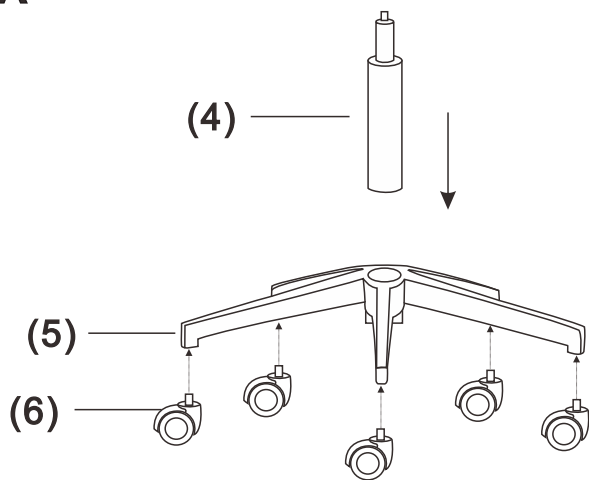
Enquiry:parts@zuomod.com

PART LIST/Liste des pièces

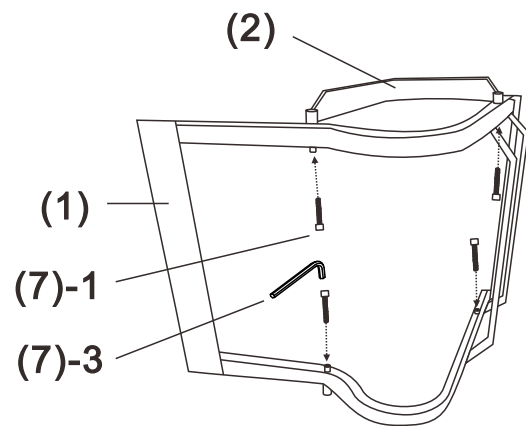
(1)	(2)	(3)	(4)
 <p>X1</p>	 <p>X2</p>	 <p>X1</p>	 <p>X1</p>
(5)		(6)	(7)
 <p>X1</p>		 <p>X5</p>	<p>1.  X4 8*40mm</p> <p>2.  X4 8*16mm</p> <p>3.  X1</p>

INSTRUCTION

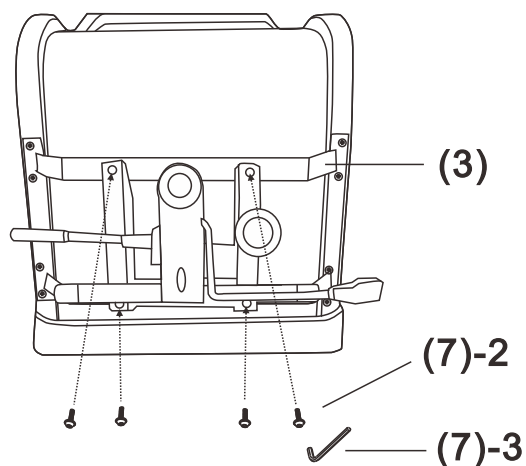
A



B



C



D

