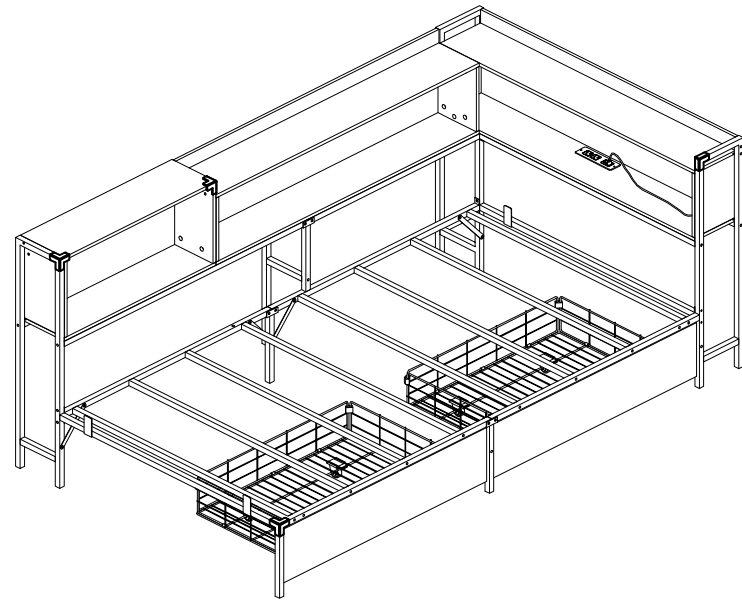


Assembly Instructions

B



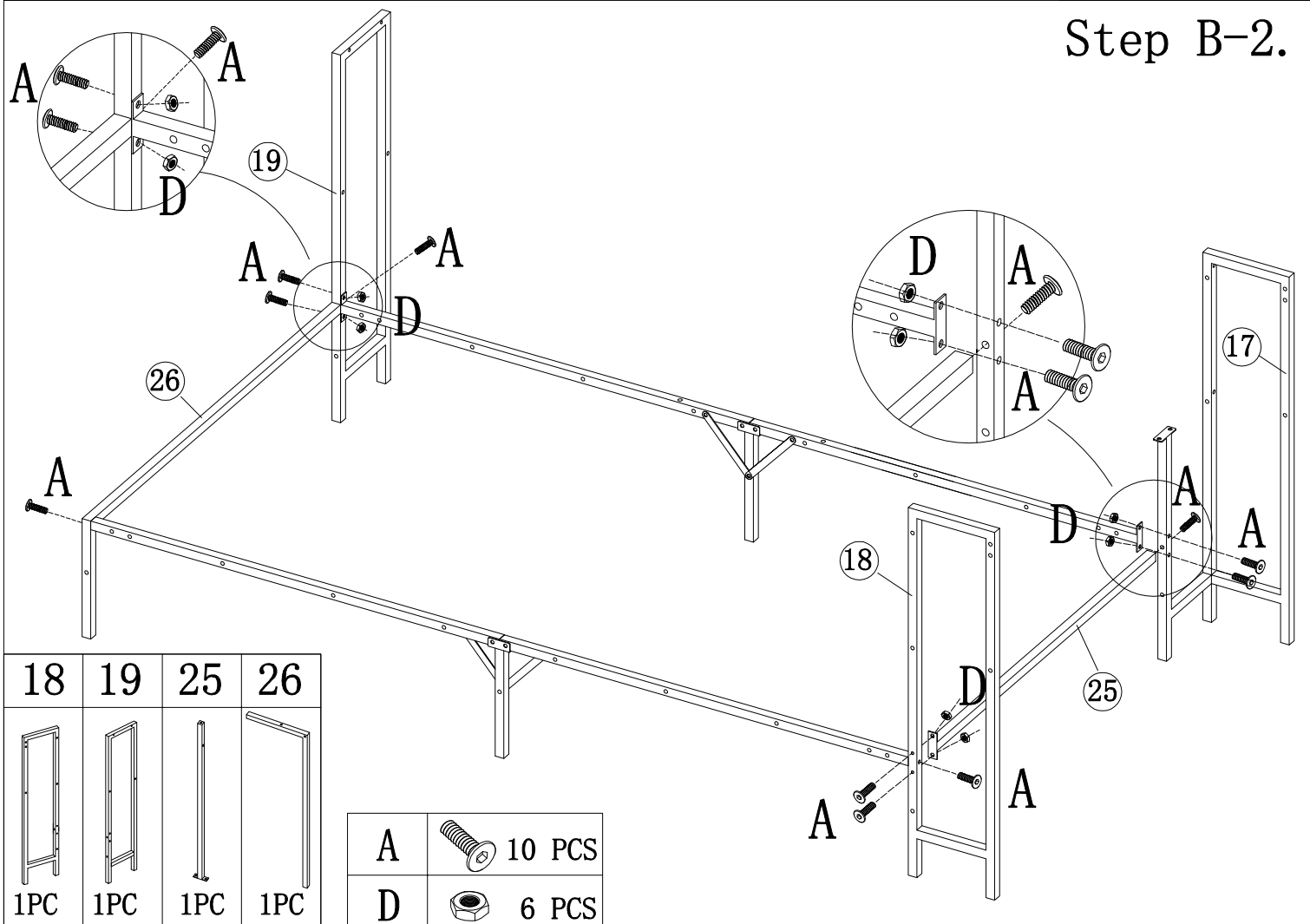
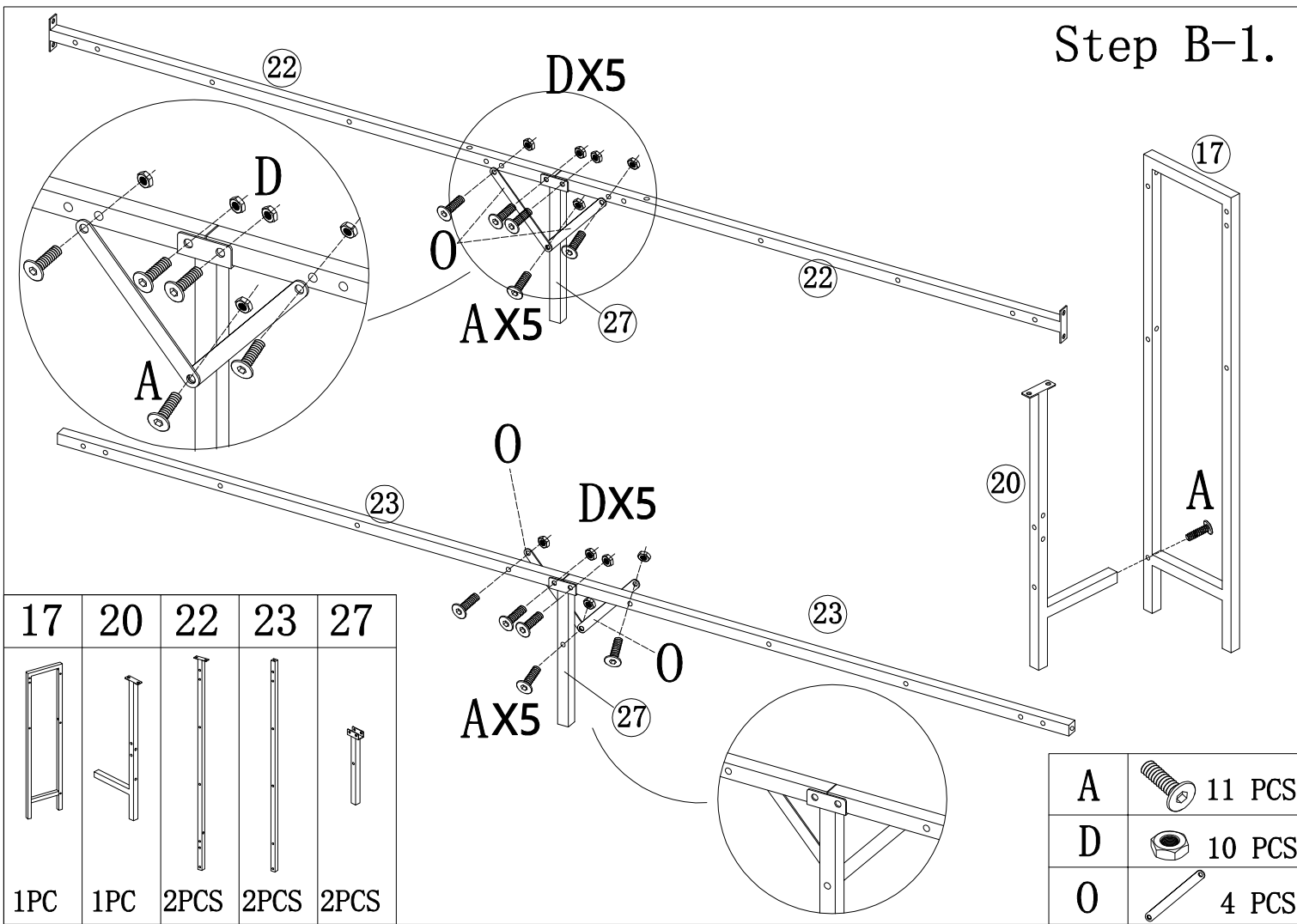
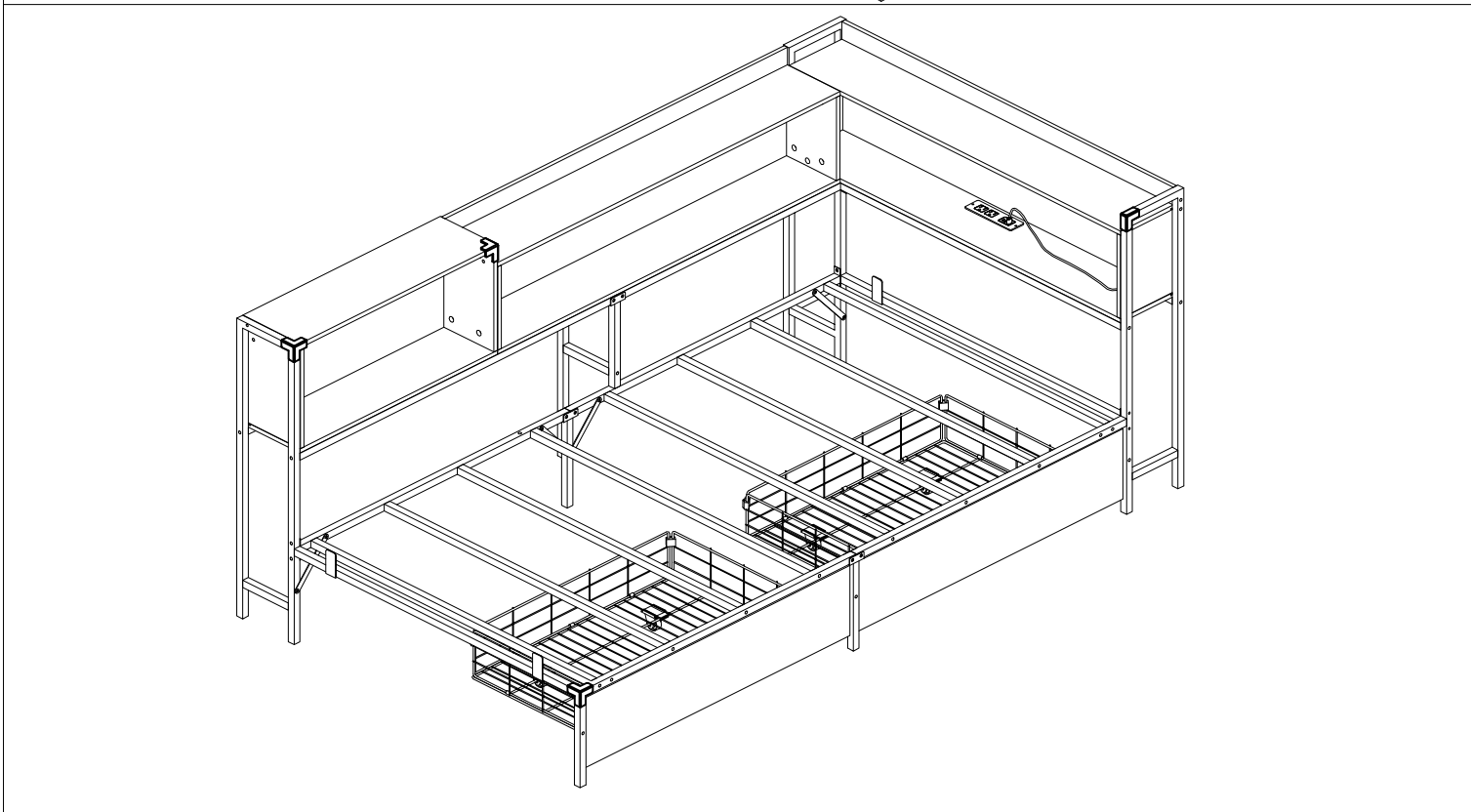
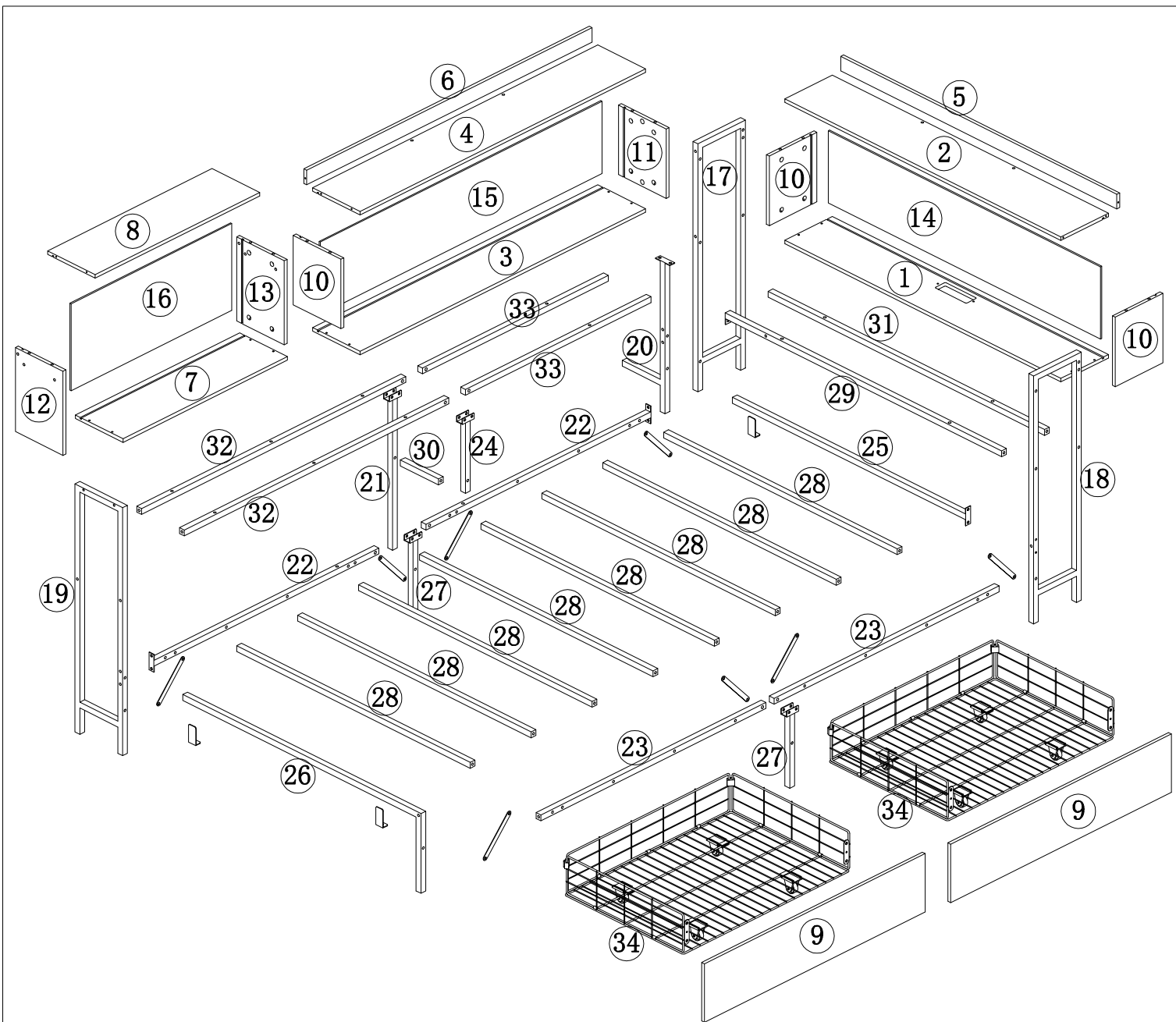
Part Identification

① 1 PC 	② 1 PC 		
③ 1 PC 	④ 1 PC 		
⑤ 1 PC 	⑥ 1 PC 		
⑦ 1 PC 	⑧ 1 PC 	⑨ 2 PCS 	
⑩ 3 PCS 	⑪ 1 PC 	⑫ 1 PC 	⑬ 1 PC
⑭ 1 PC 	⑮ 1 PC 	⑯ 1 PC 	

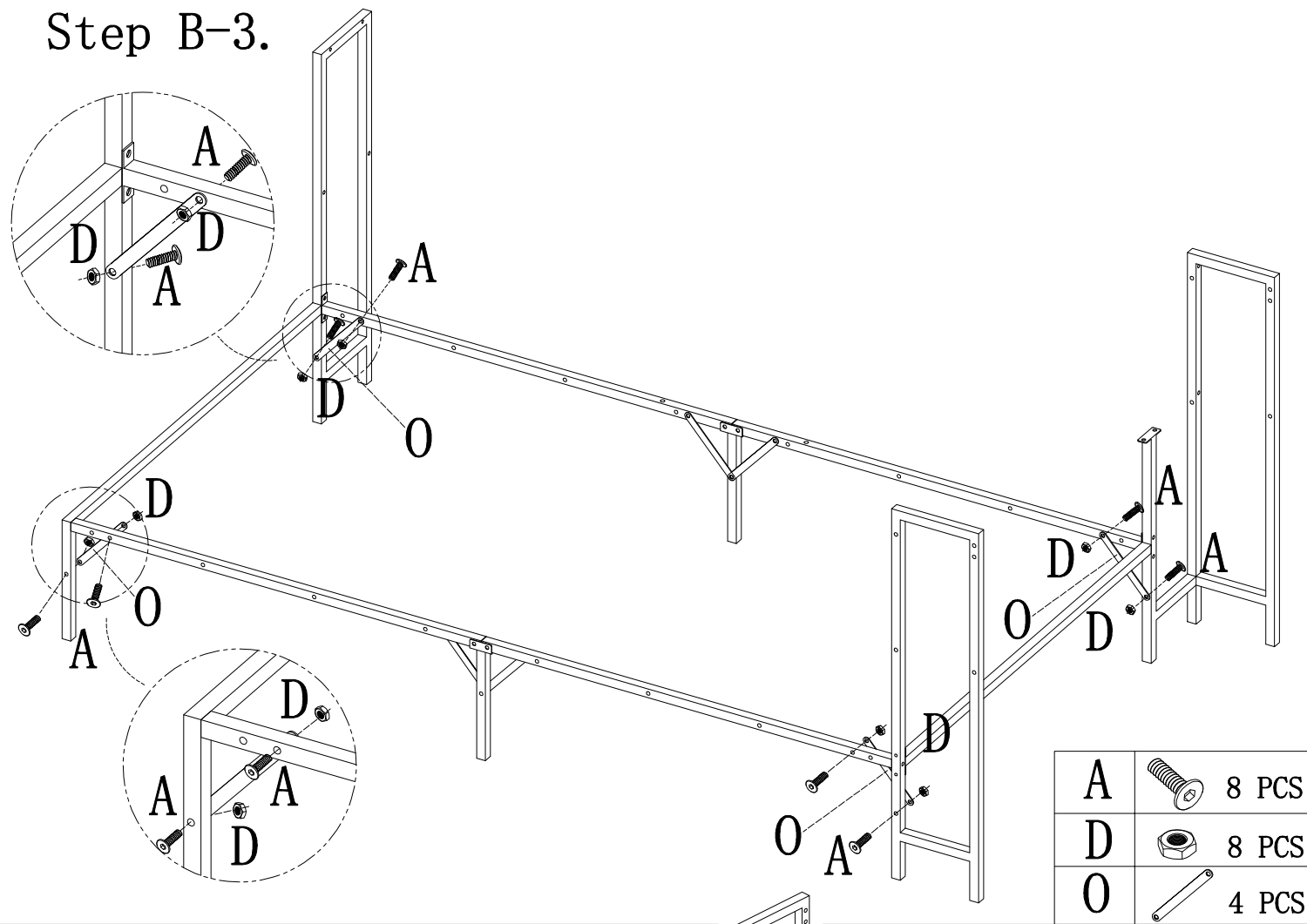
⑰ 1 PC 	⑱ 1 PC 	⑲ 1 PC 	⑳ 1 PC 	㉑ 1 PC
㉒ 2 PCS 	㉓ 2 PCS 	㉔ 1 PC 	㉕ 2 PCS 	㉖ 2 PCS
㉗ 1 PC 	㉘ 1 PC 	㉙ 1 PC 	㉚ 1 PC 	㉛ 2 PCS
㉜ 8 PCS 	㉝ 1 PC 	㉞ 2 PCS 	㉟ 2 PCS 	㊱ 2 PCS

Hardware Identification

A M6*30 60 PCS	B M6*25 12 PCS	C M6*10 15 PCS	D M6 29 PCS	E ST5*40 16 PCS	F 10 PCS	G ST3.5*12 22 PCS
H 1 PC	I 1 PC	J 24 PCS	K 24 PCS	L 4 PCS	M 8 PCS	N 3 PCS
O 8 PCS	P 2 PCS	Q 3 PCS	R 1 PC	S 1 PC	T 1 PC	U 1 PC

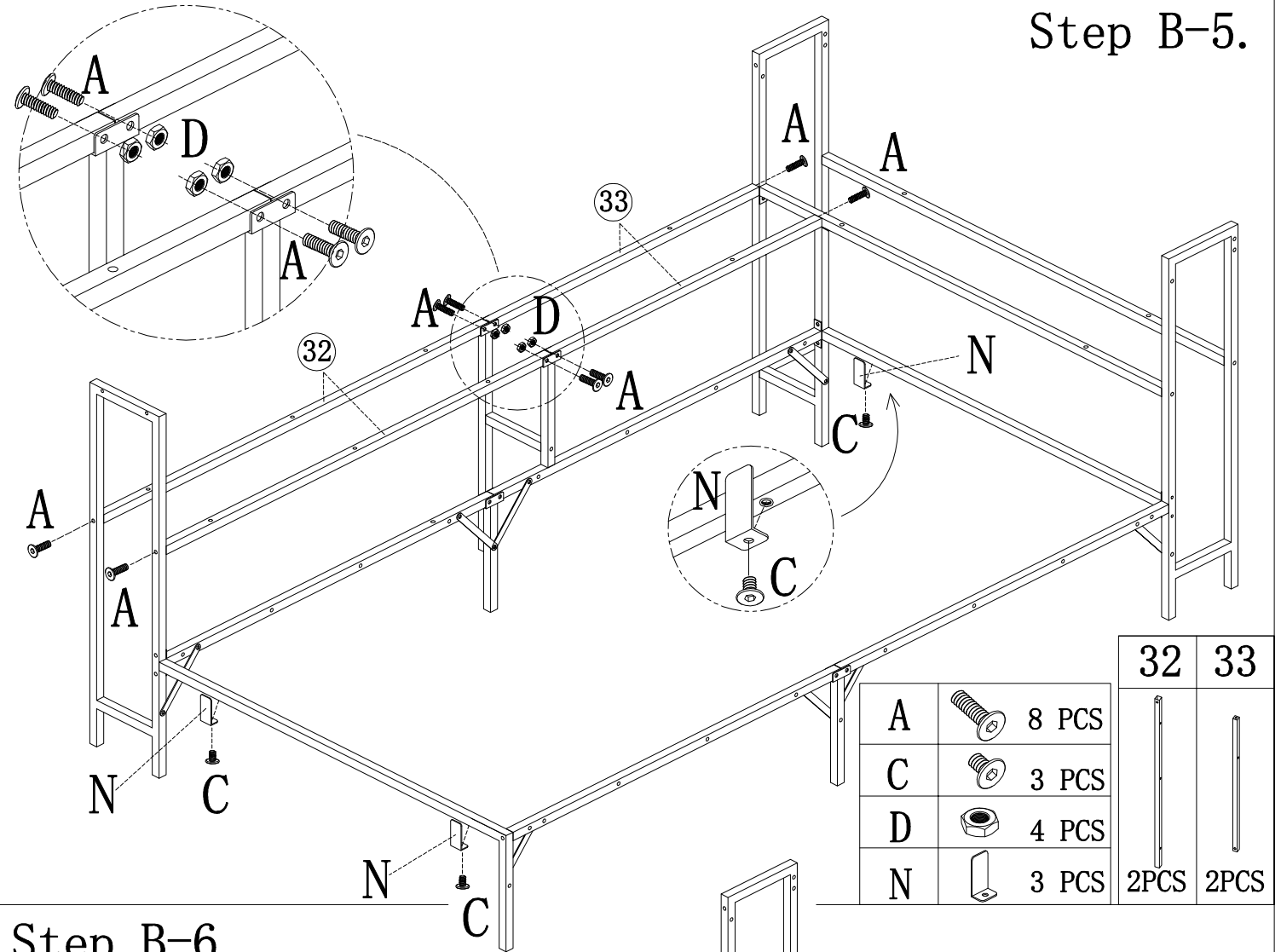


Step B-3.



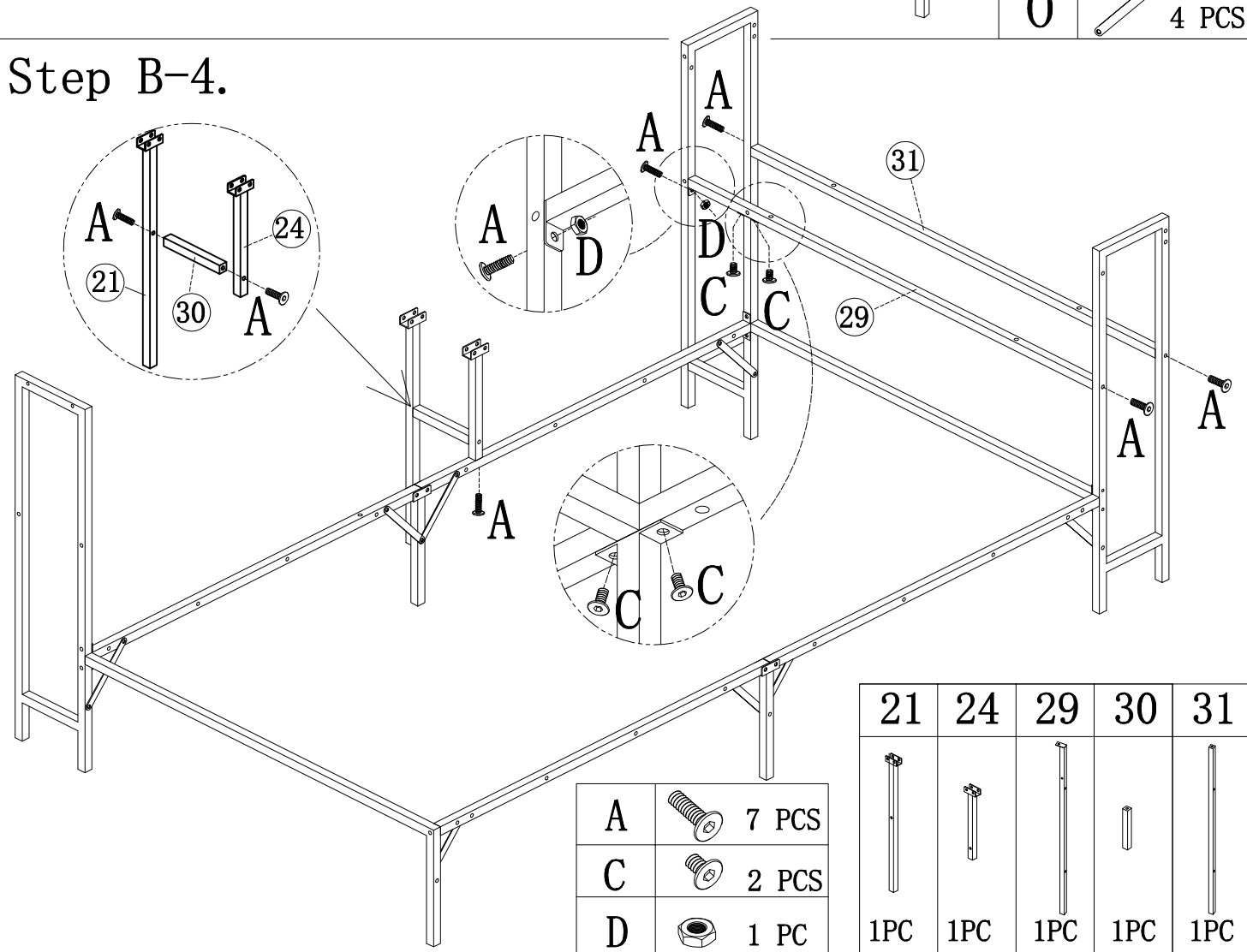
A		8 PCS
D		8 PCS
O		4 PCS

Step B-5.



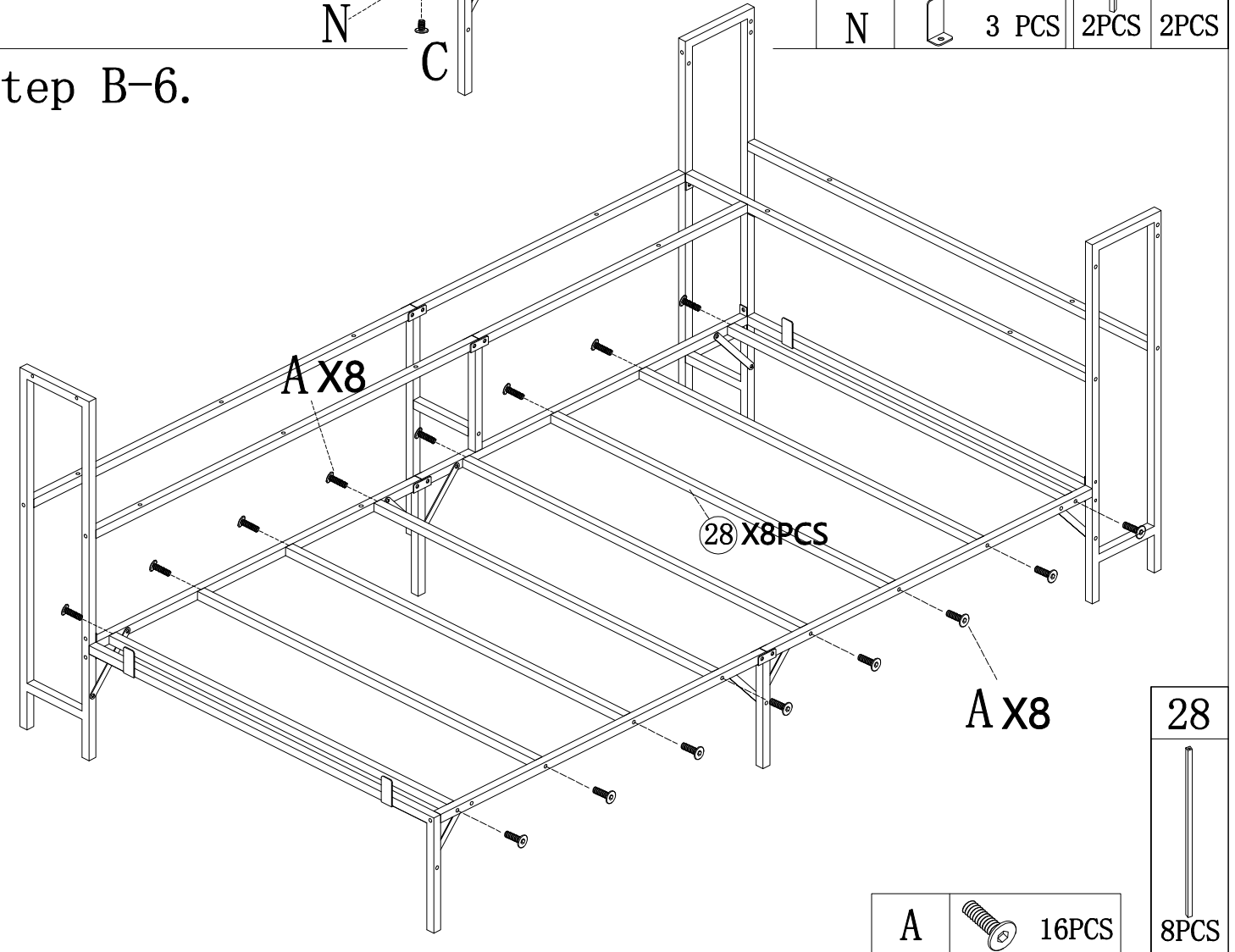
A		8 PCS	32	33
C		3 PCS		
D		4 PCS	2PCS	2PCS
N		3 PCS		

Step B-4.



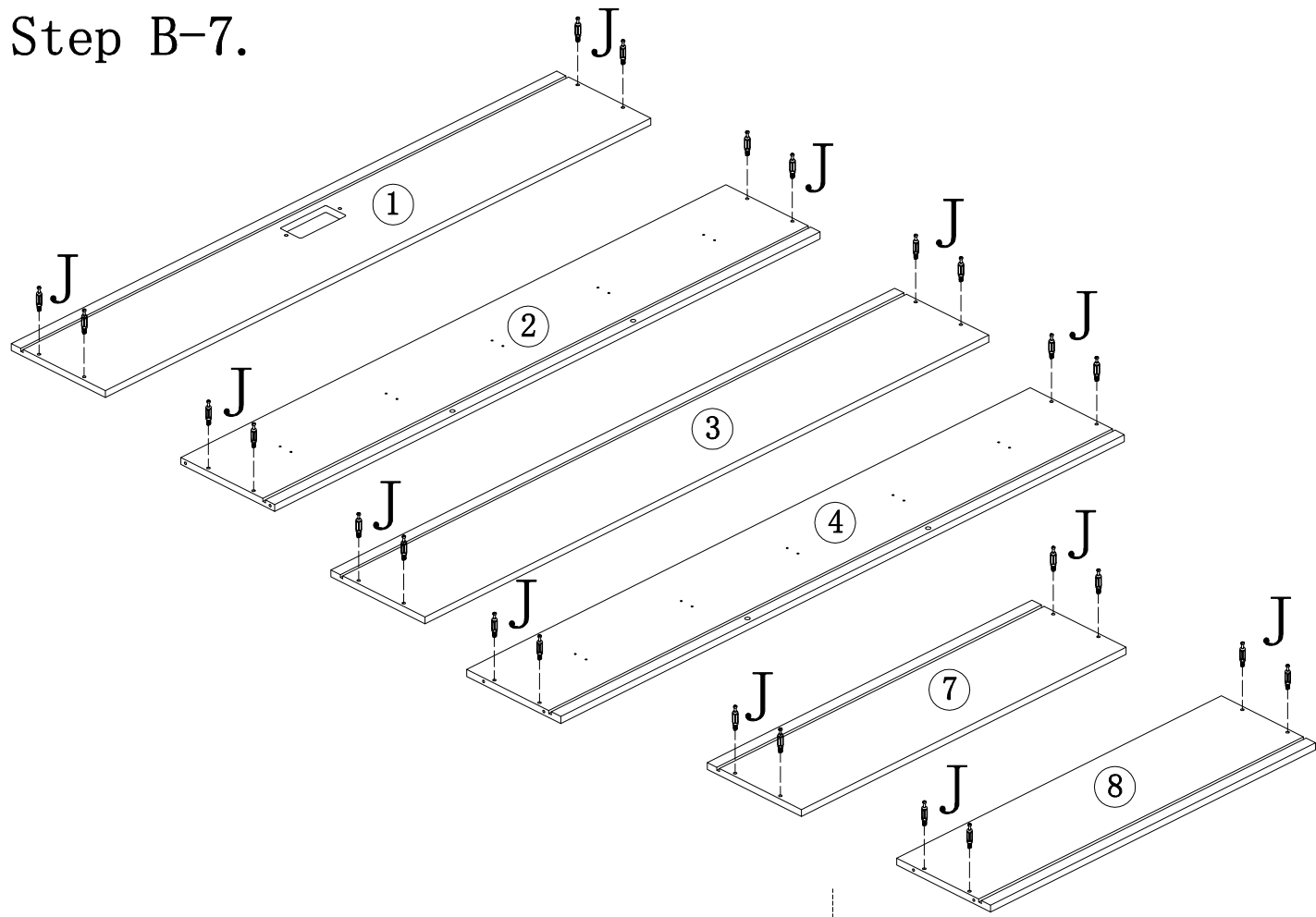
A		7 PCS	21	24	29	30	31
C		2 PCS					
D		1 PC	1PC	1PC	1PC	1PC	1PC

Step B-6.



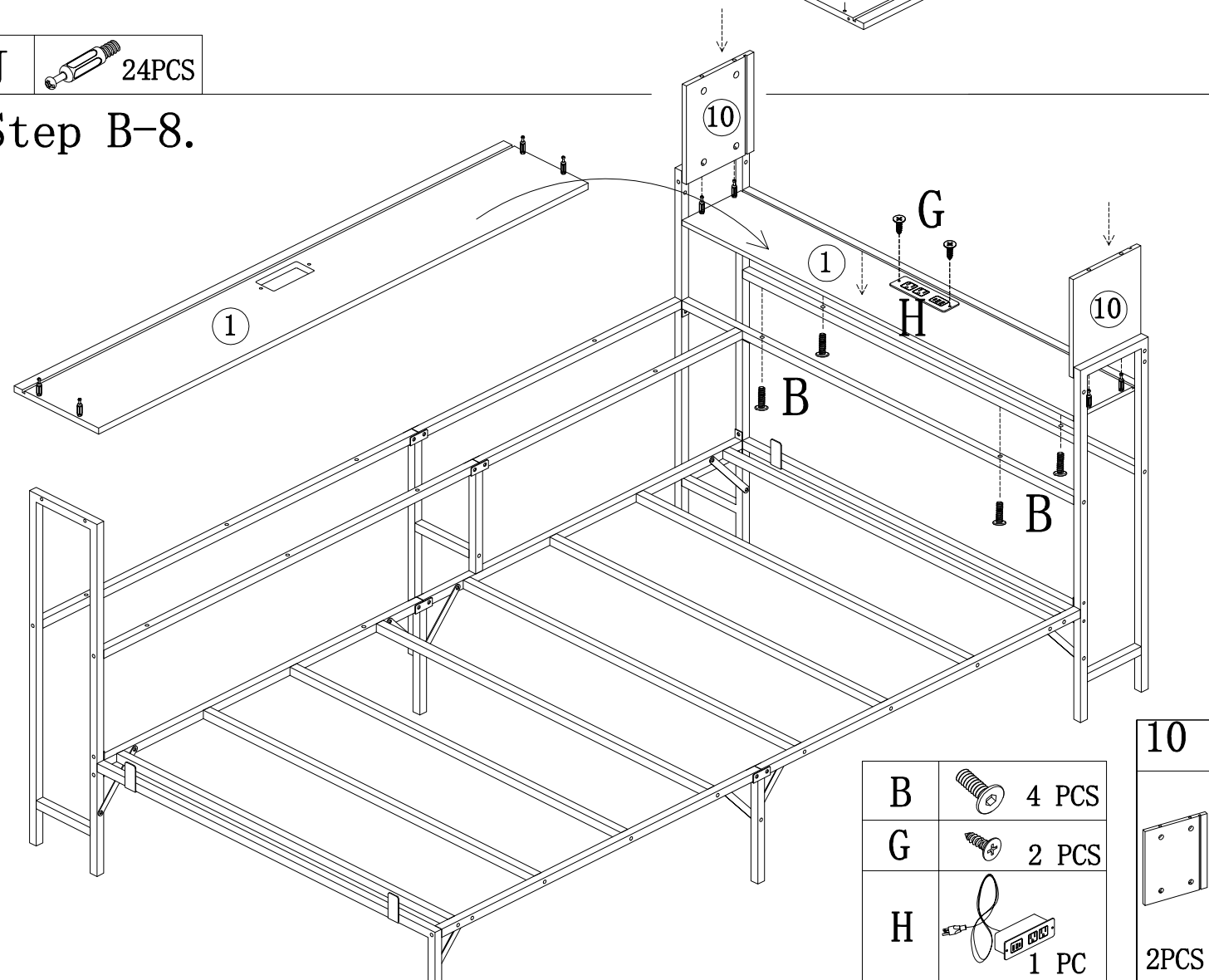
A		16PCS	28
			8PCS

Step B-7.



J 24PCS

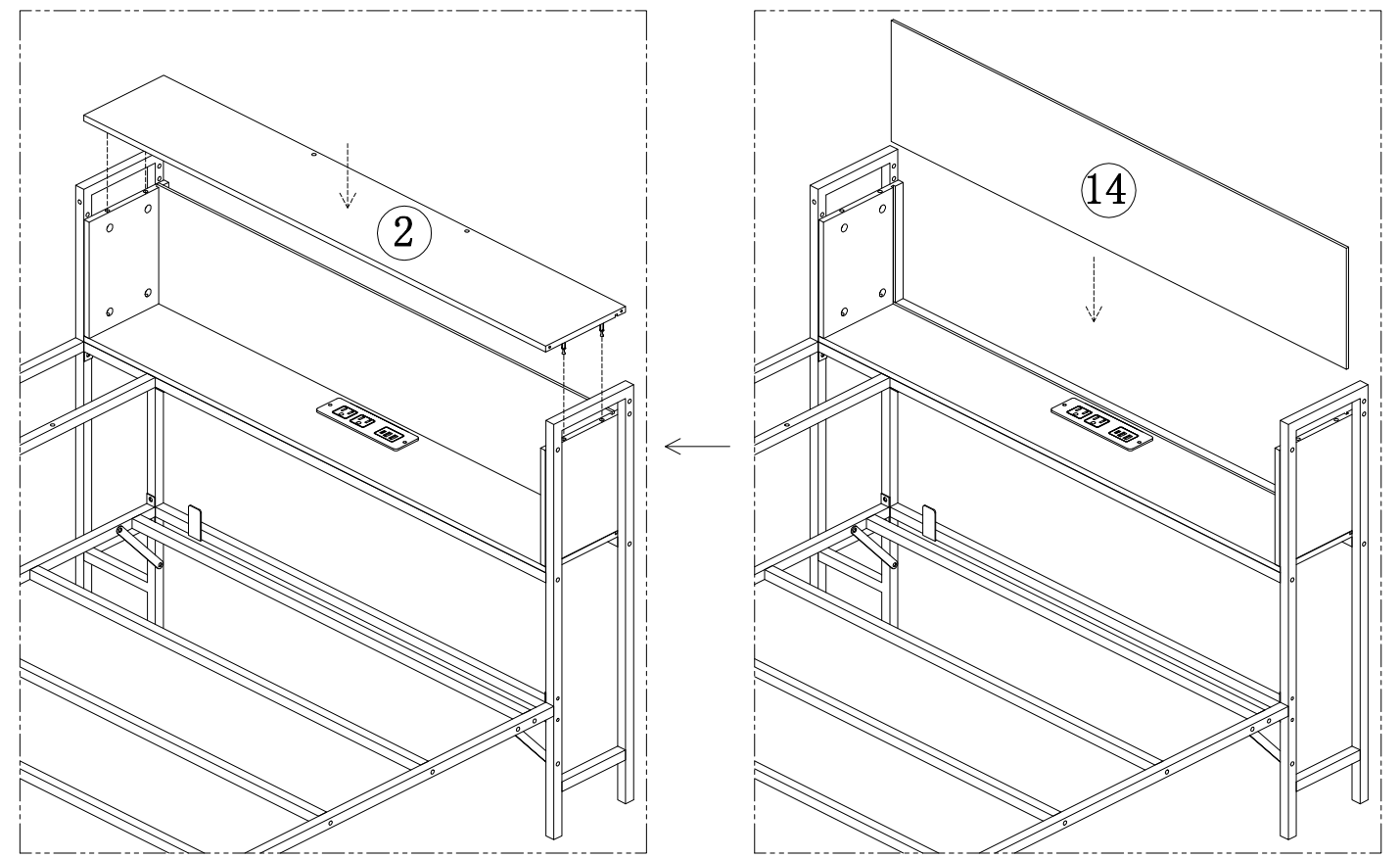
Step B-8.



B		4 PCS
G		2 PCS
H		1 PC

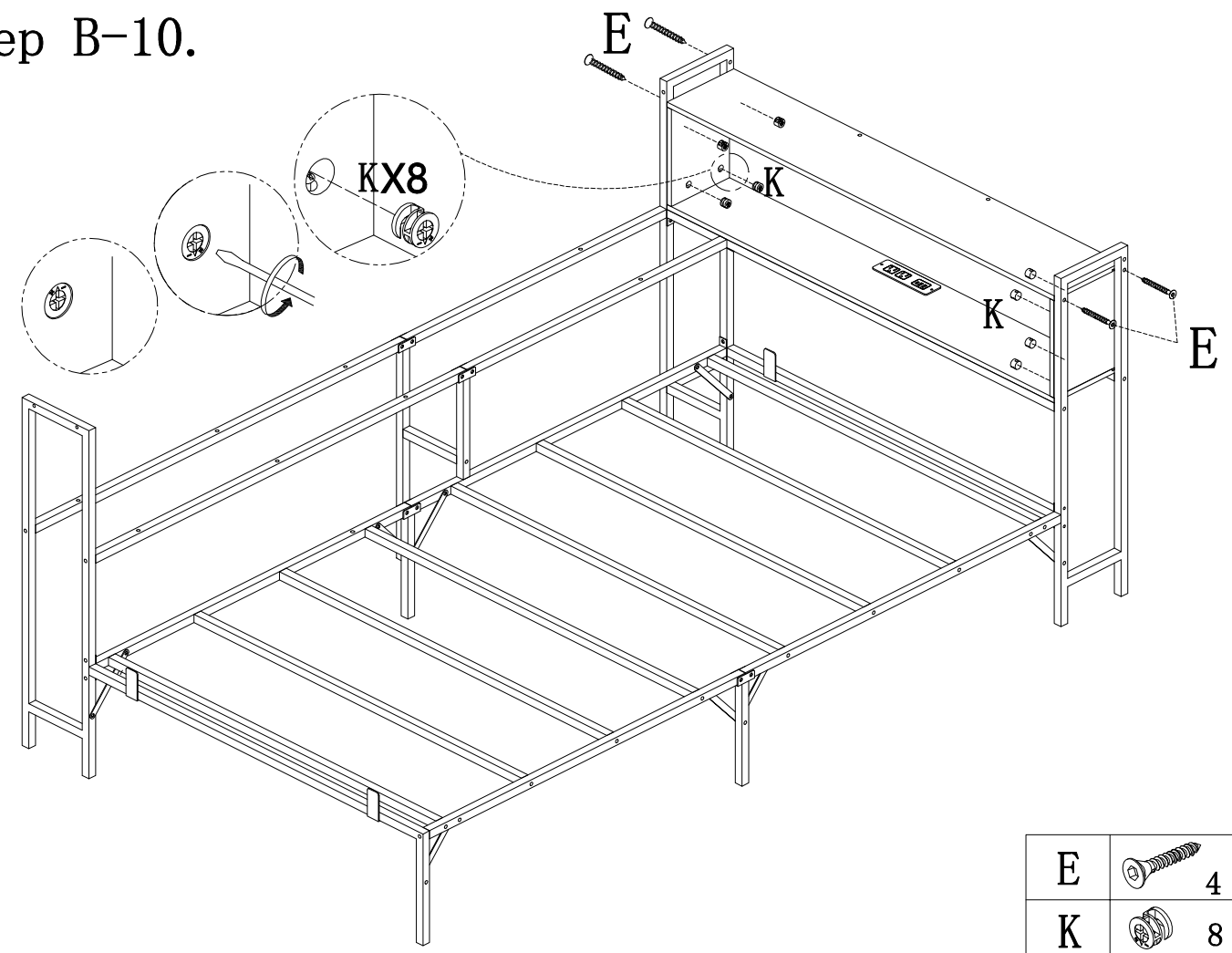
10
2PCS

Step B-9.



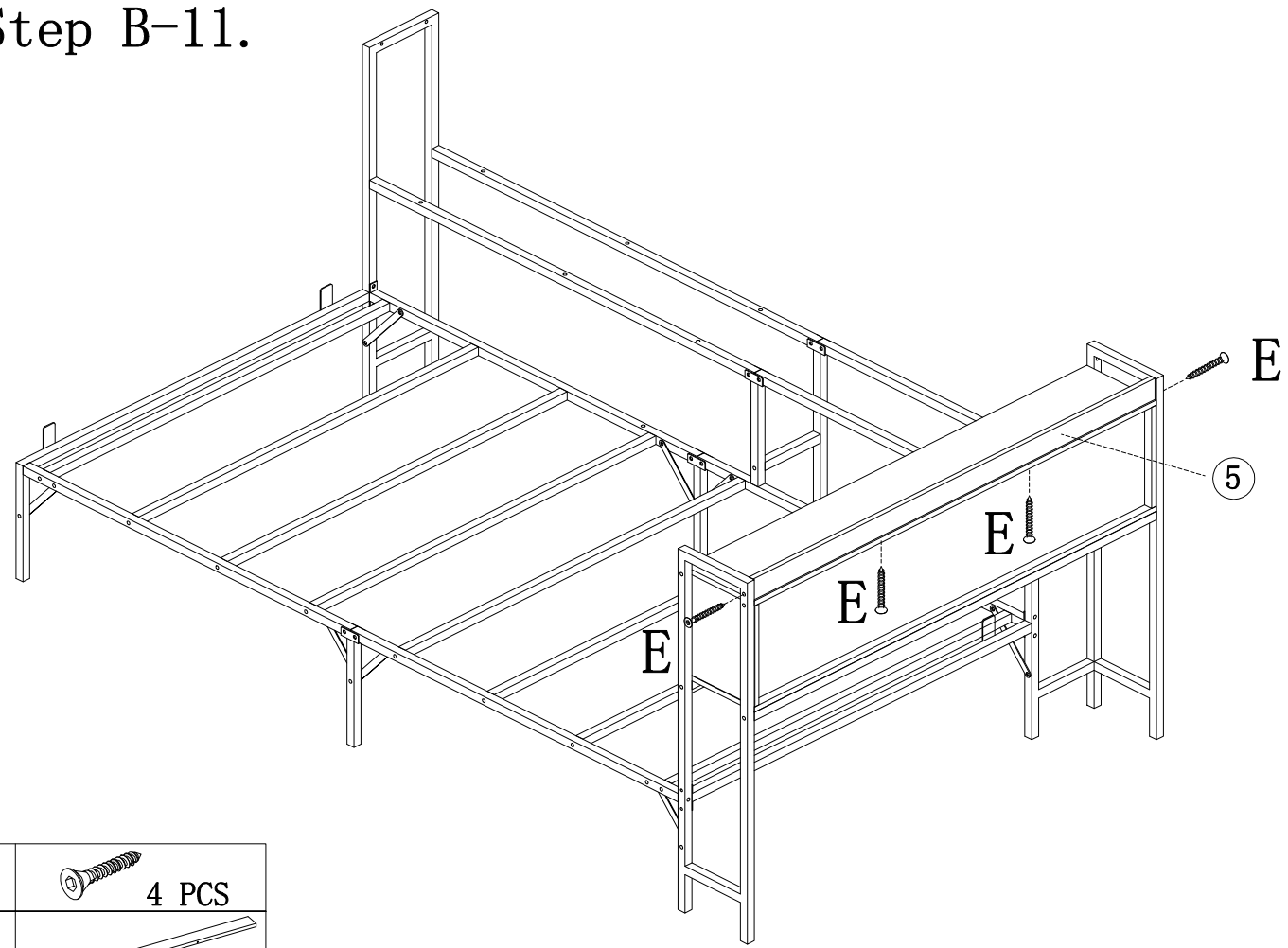
14 1PC



Step B-10.



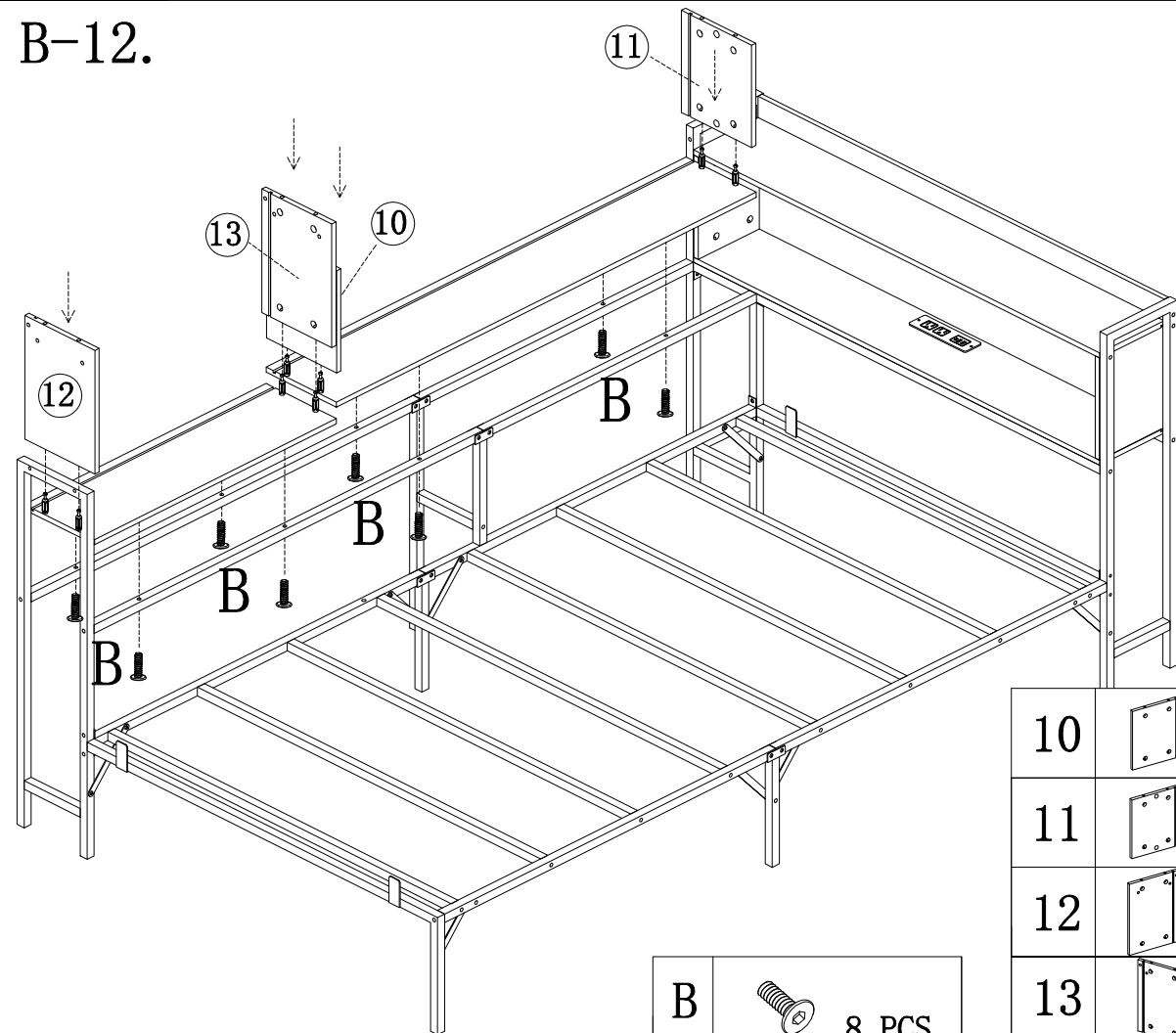
E		4 PCS
K		8 PCS

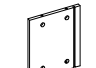
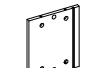
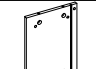
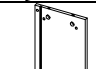

Step B-11.



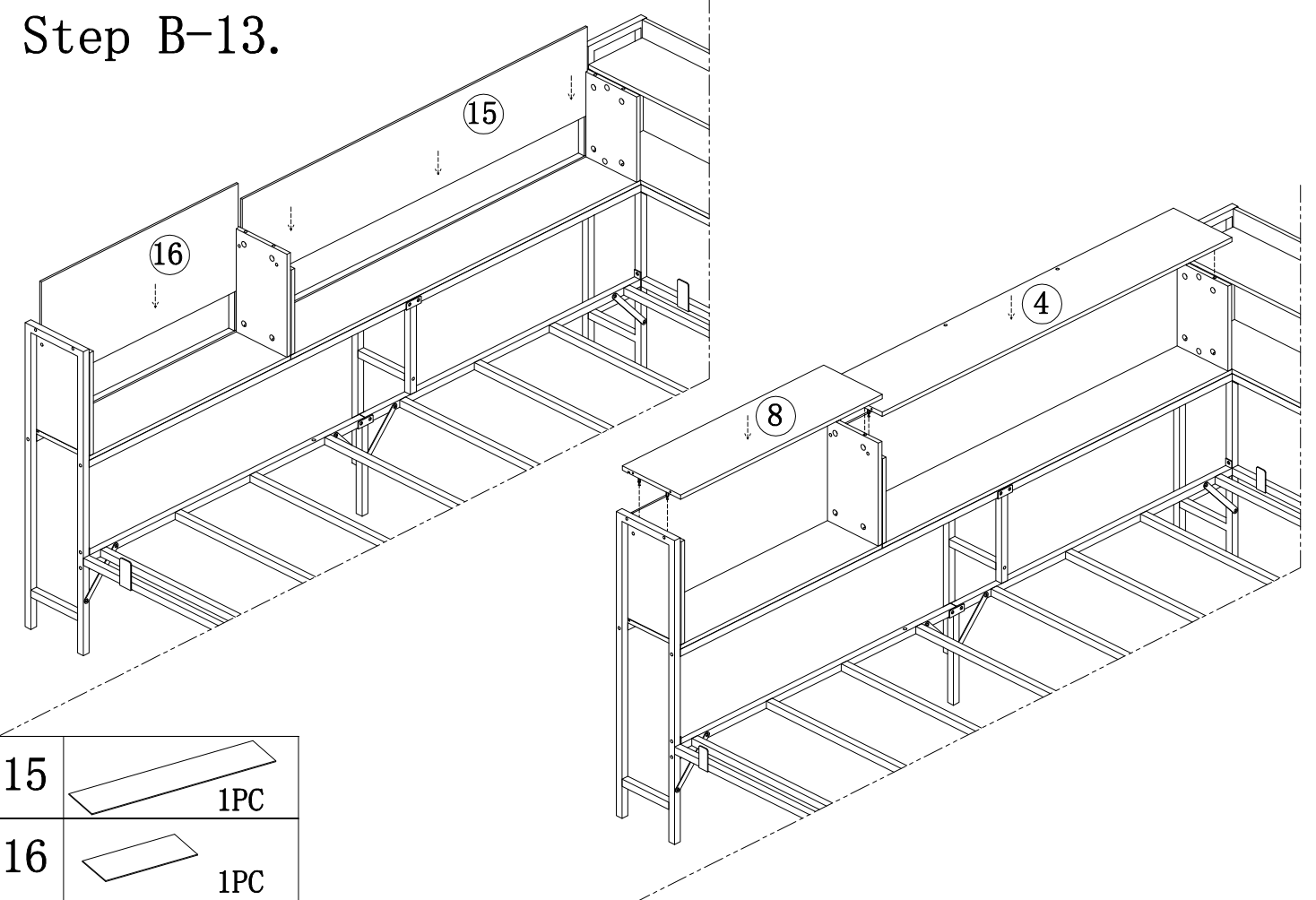
E		4 PCS
5		1PC


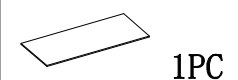
Step B-12.



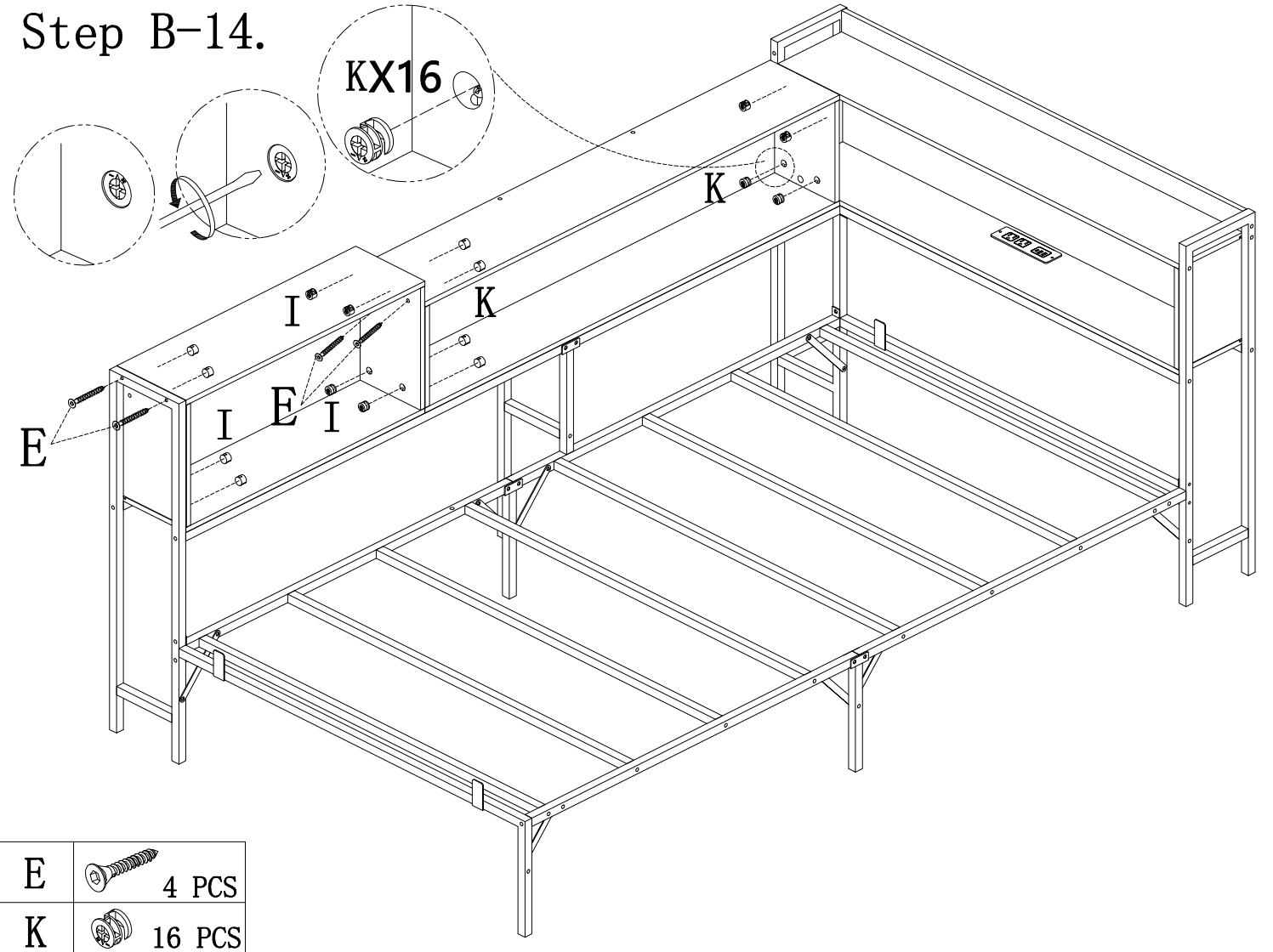
10		1PC
11		1PC
12		1PC
13		1PC
B		8 PCS



Step B-13.



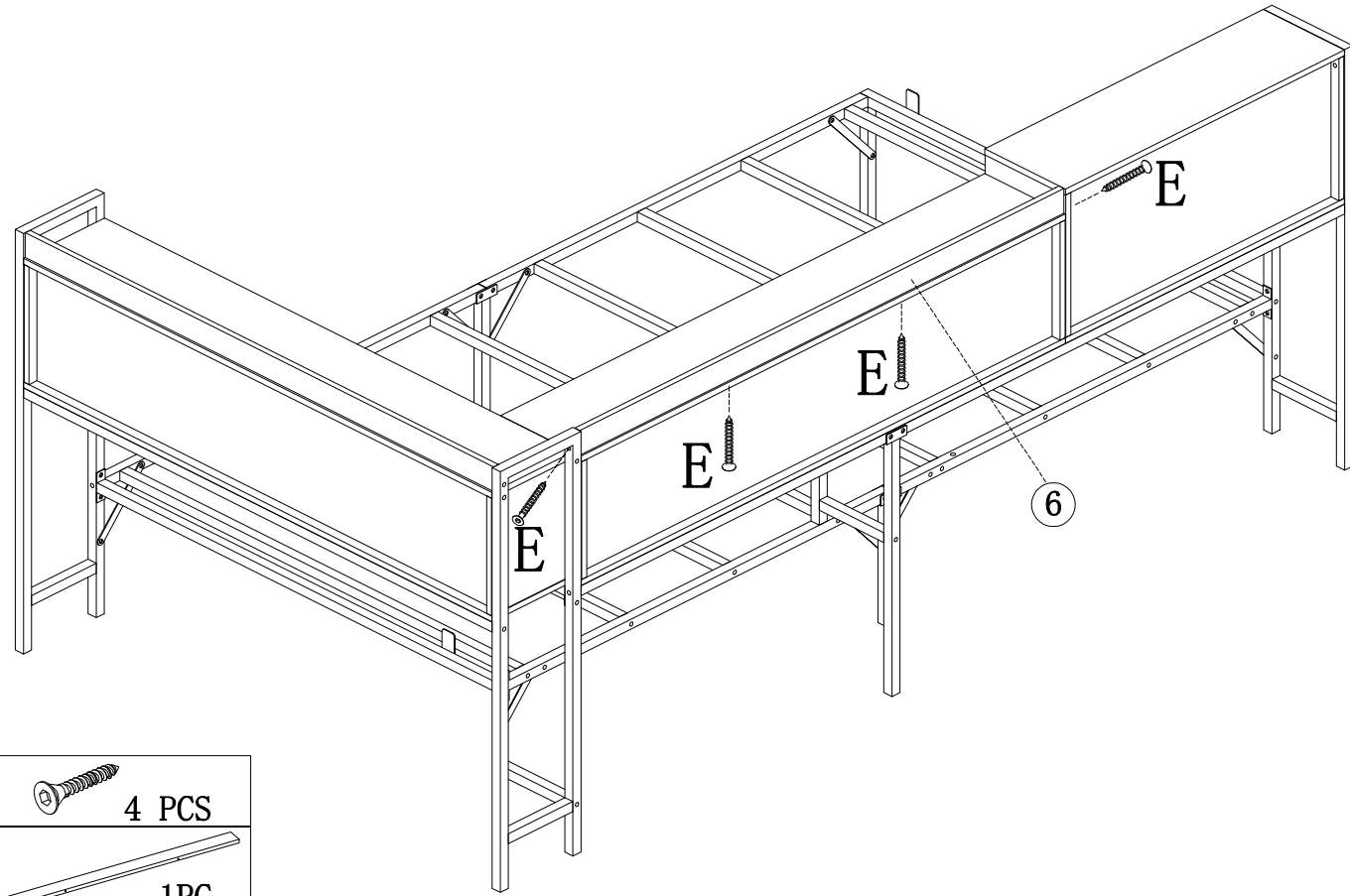
15		1PC
16		1PC

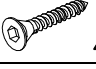

Step B-14.



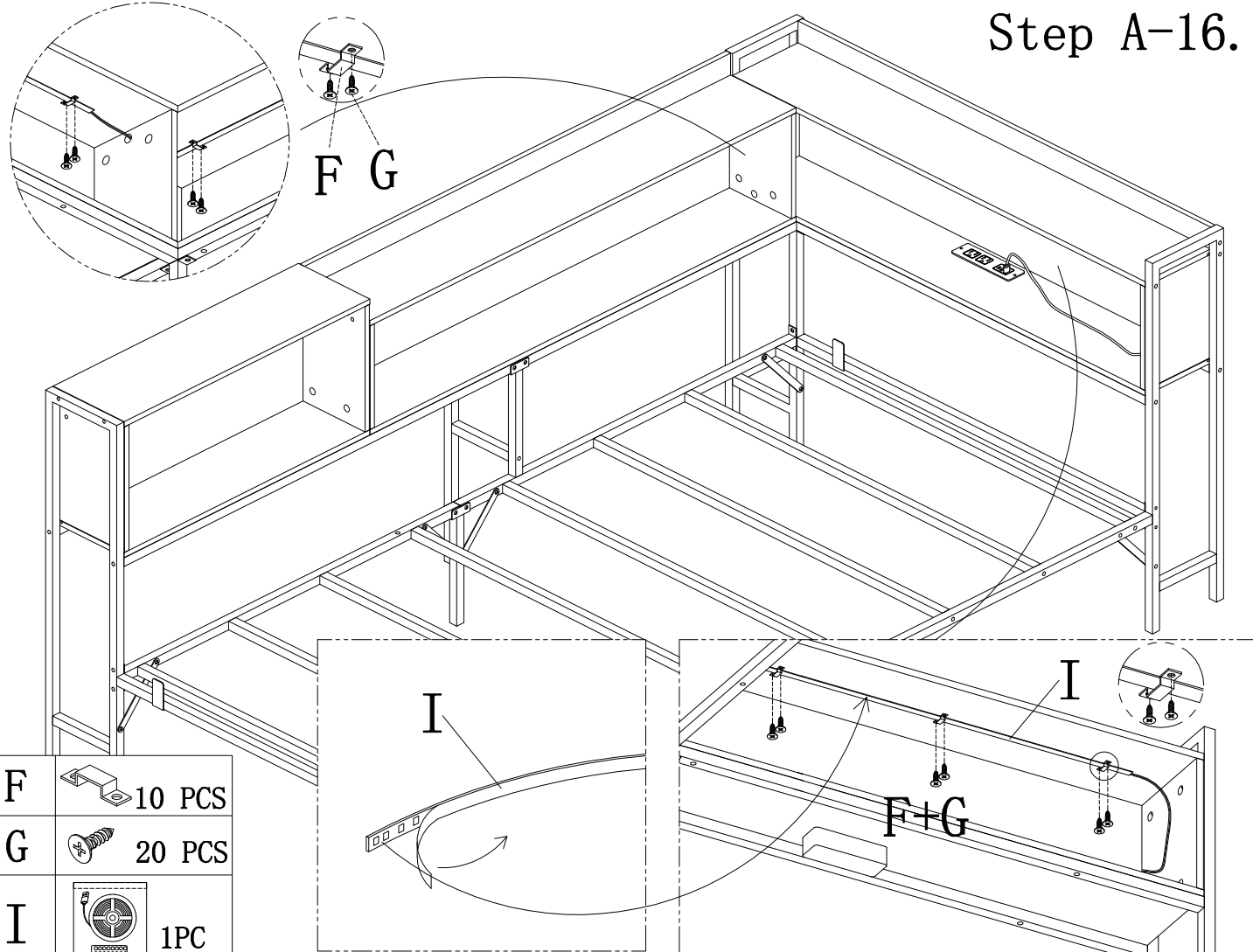
E		4 PCS
K		16 PCS

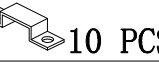


Step A-15.



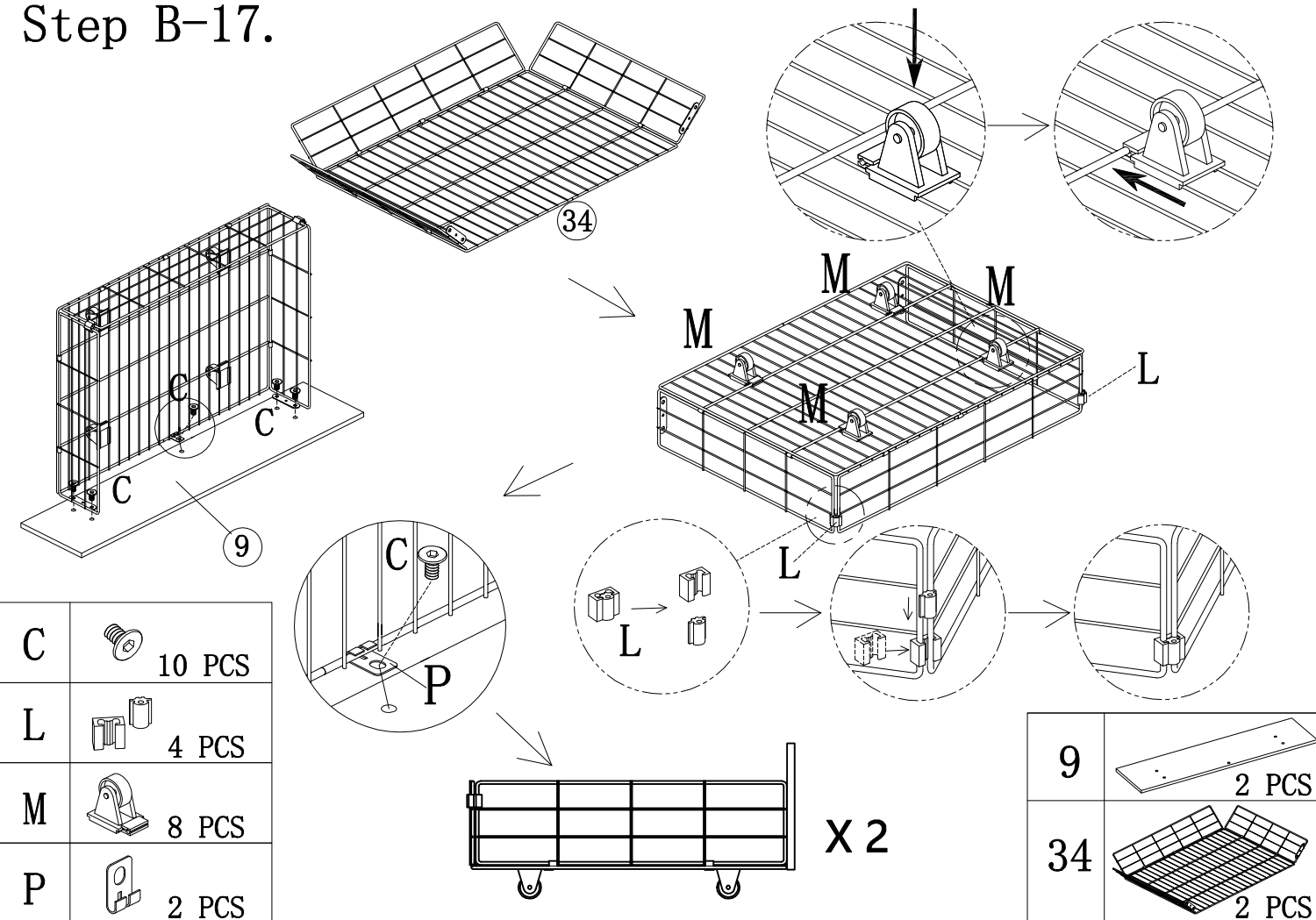
E		4 PCS
6		1PC




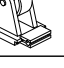
Step A-16.





F		10 PCS
G		20 PCS
I		1PC

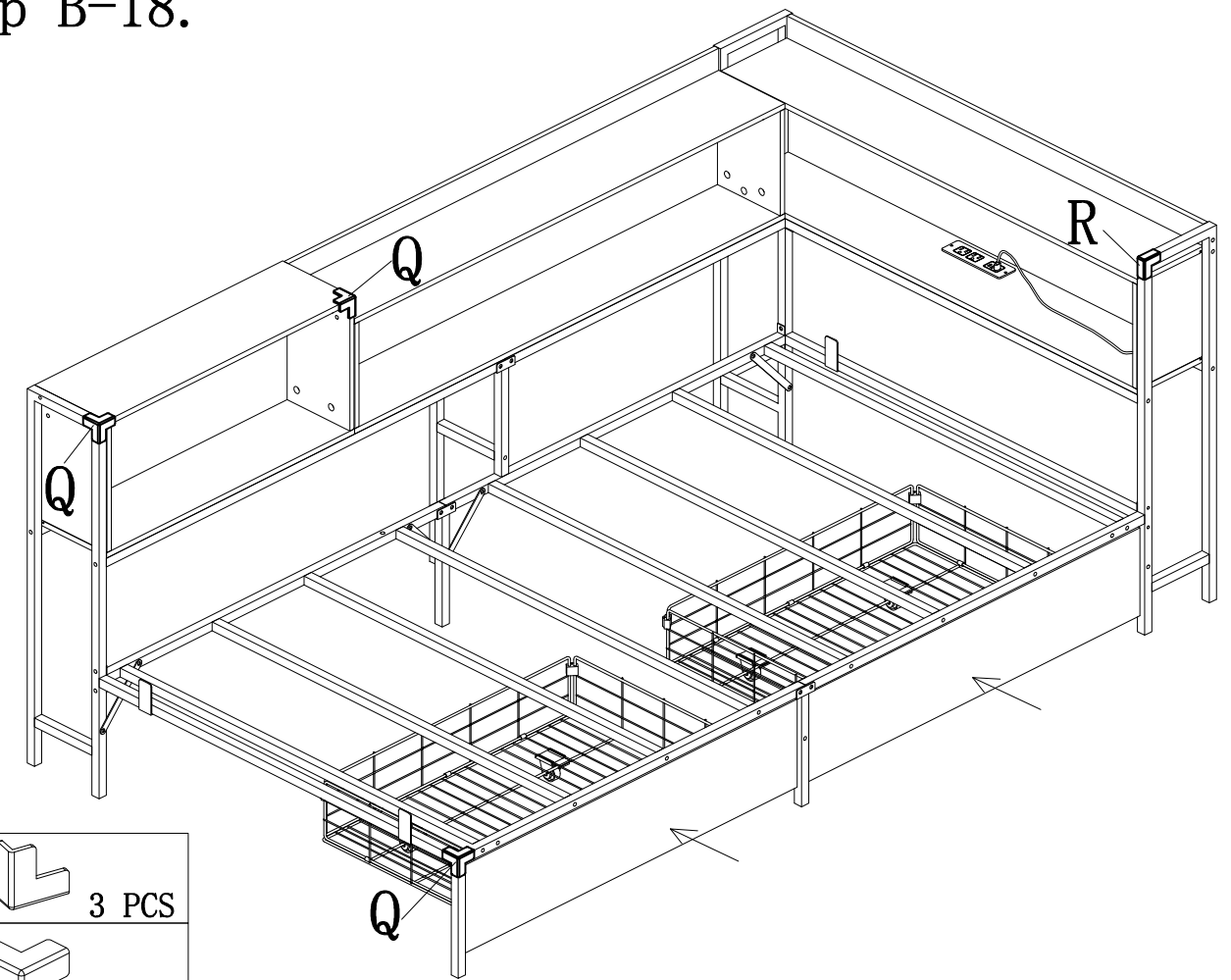
Step B-17.

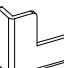



C		10 PCS
L		4 PCS
M		8 PCS
P		2 PCS

9		2 PCS
34		2 PCS

Step B-18.



Q		3 PCS
R		1 PC