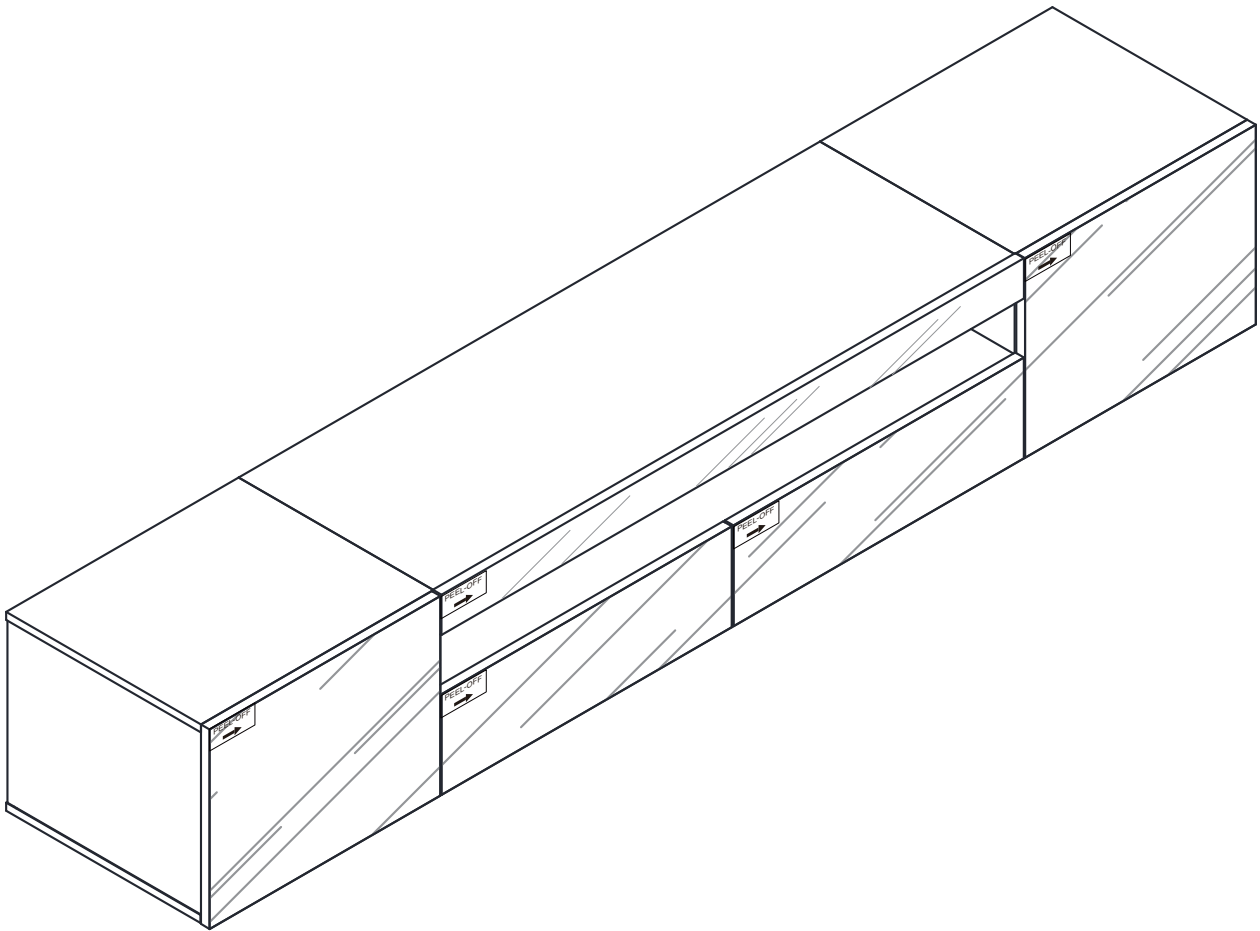


Assembly Instructions

Decorate your home , Brighten wonderful life



SPECIFICATION

Product Dimension	Package Dimension	Color
70.87*13.78*11.81 in	45.67*16.73*6.50 in	White
70.87*13.78*11.81 in	45.67*16.73*6.50 in	Black
70.87*13.78*11.81 in	45.67*16.73*6.50 in	White Marble
70.87*13.78*11.81 in	45.67*16.73*6.50 in	Black Marble

NOTICE:

Basic precautions should always be followed when using this product. Please read all instructions before using the cabinet and retain the education for future reference.

Failure to observe all instructions and warnings may cause severe property damage or personal injuries.

When unpacking, please be careful don't cut too deep to damage the products in the box. Just use the blade to scratch the parcel tape.

Check the product and hardware accessories in the box; and confirm whether the instructions are complete.

When installing, please pay attention to the protection of the parts. The soft material must be placed under the product, and please carefully handle it to avoid surface damage.

After the assembly is completed, please adjust the placement position according to the actual situation.

Keep children away from cabinets, accessories, and installation tools. They are at risk of injury to the child.

Two people are recommended for assembly.

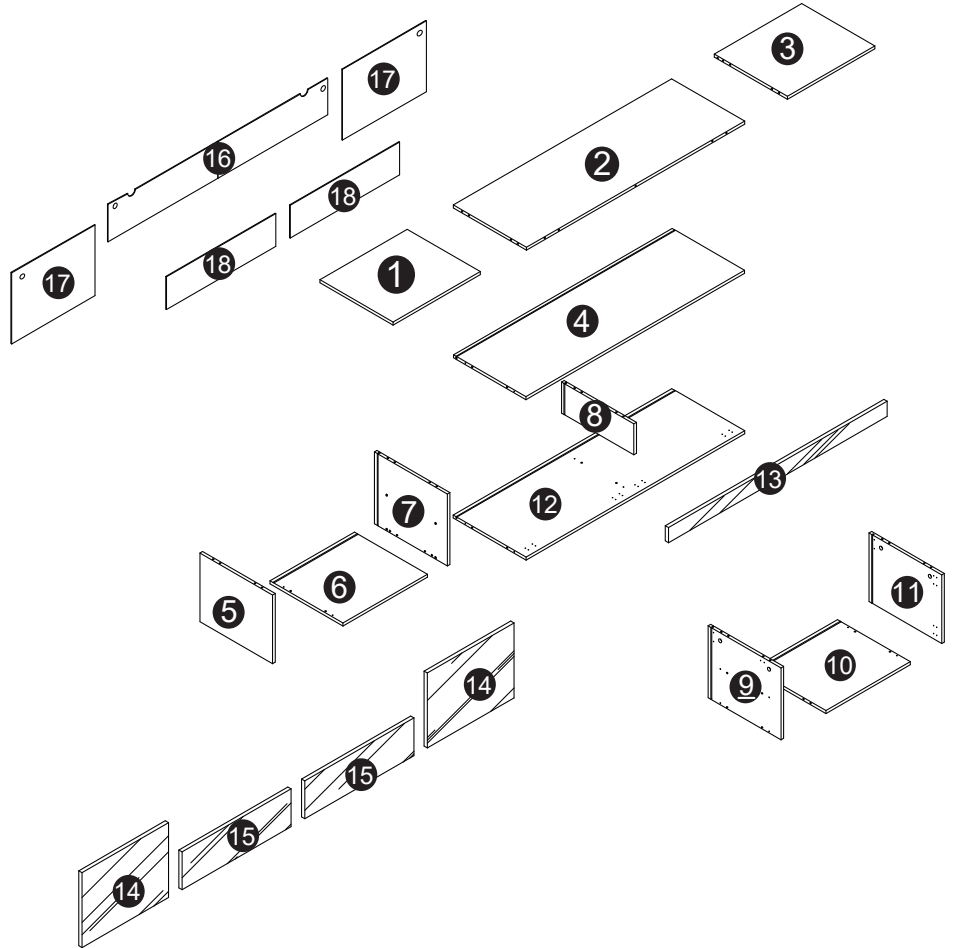
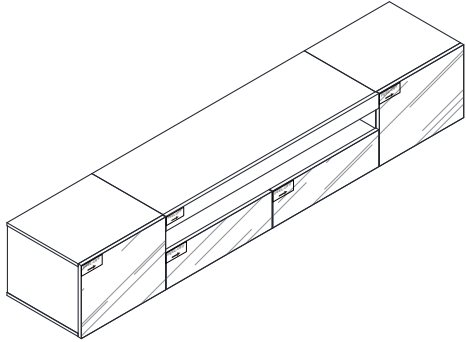
RETURN/DAMAGE CLAIM INSTRUCTIONS:

If the package is damaged, please contact us immediately. Providing photos of the damage will be appreciated. Returns are accepted within 30 days for any reason. If the item is returned for personal reasons, the return shipping cost and an order processing fee (0–20% restocking fee based on the invoice price) will be the customer's responsibility. If the product has quality issues (not caused by human factors), we will cover the shipping cost. Please keep the original packaging in case a return is required. Use the provided return label and do not return the item without prior authorization. Returns requested after 30 days from the delivery date may not be accepted. Thank you for your understanding. If there are any damages, defects, or missing parts during installation, please contact us immediately. Replacement, exchange, or refund will be arranged as soon as possible, except in cases of returns for personal reasons.

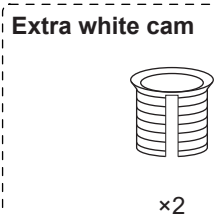
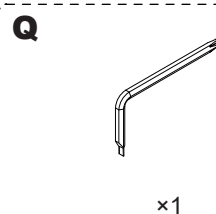
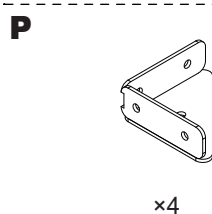
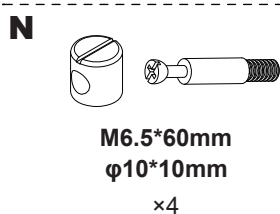
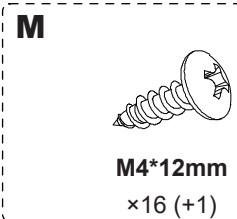
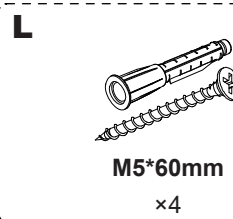
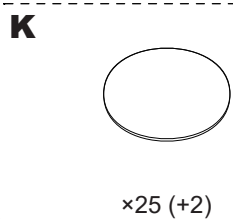
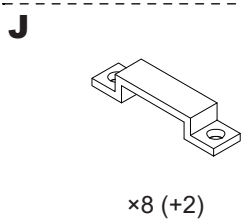
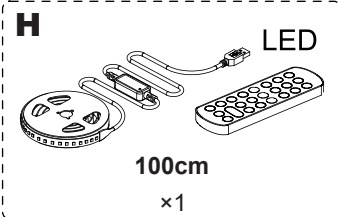
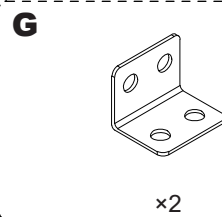
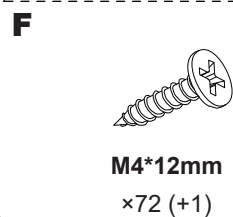
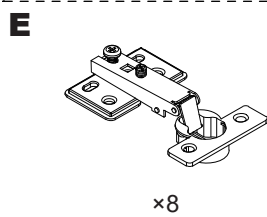
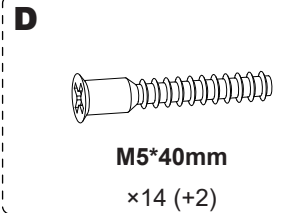
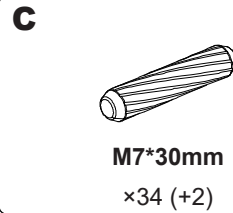
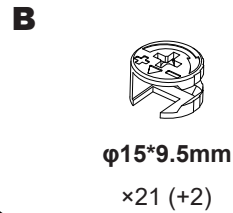
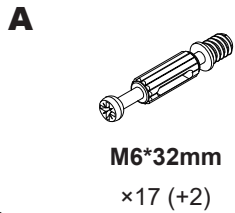
Part List



Open the package, and put the item on the mat with care. Please install it carefully to ensure your fingers will not be scratched.

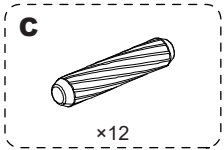


Hardware List

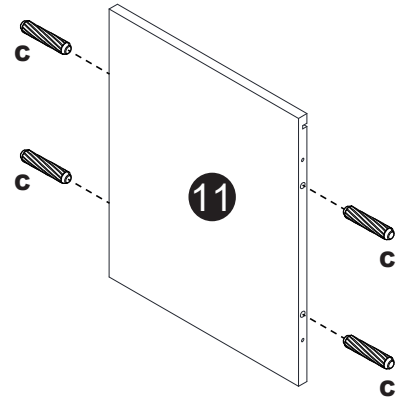
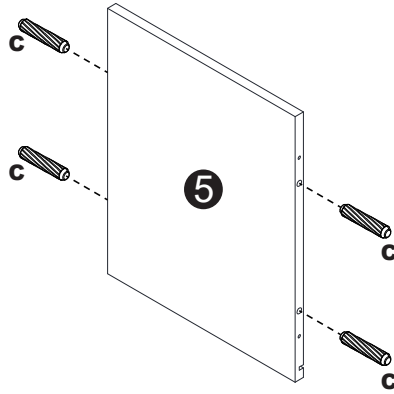
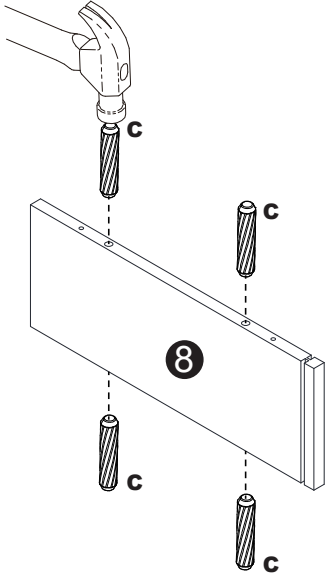


Start...

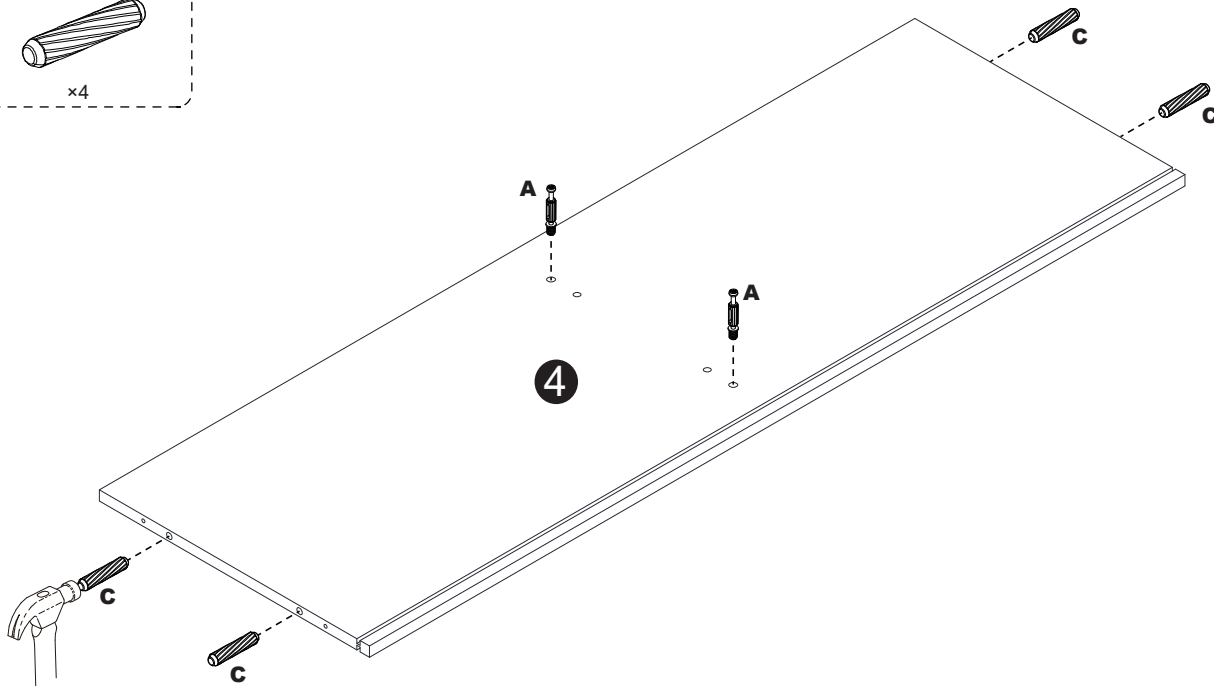
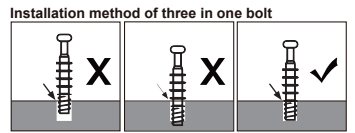
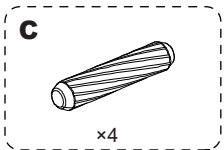
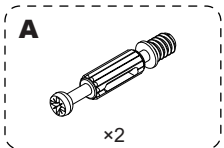
| Step1



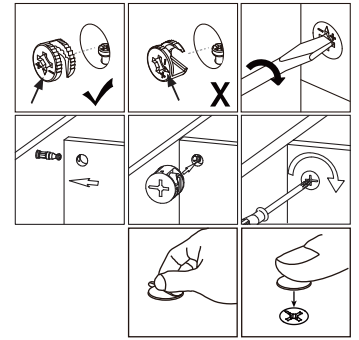
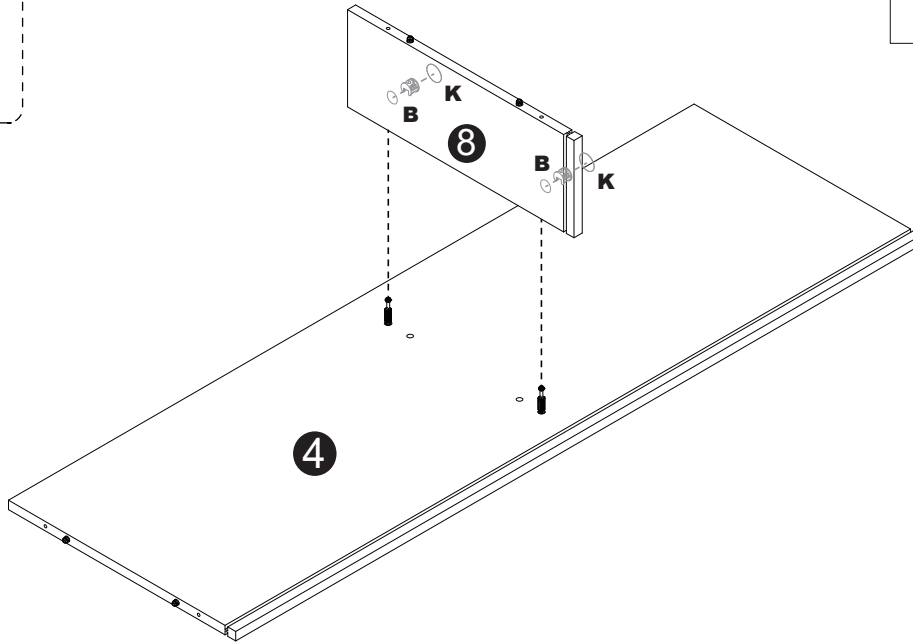
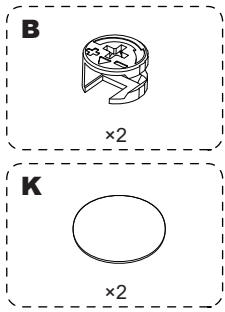
Make sure the Wooden Dowel Pins is fully immersed in the holes to avoid causing the top of the panel to penetrate during the next step of installation.



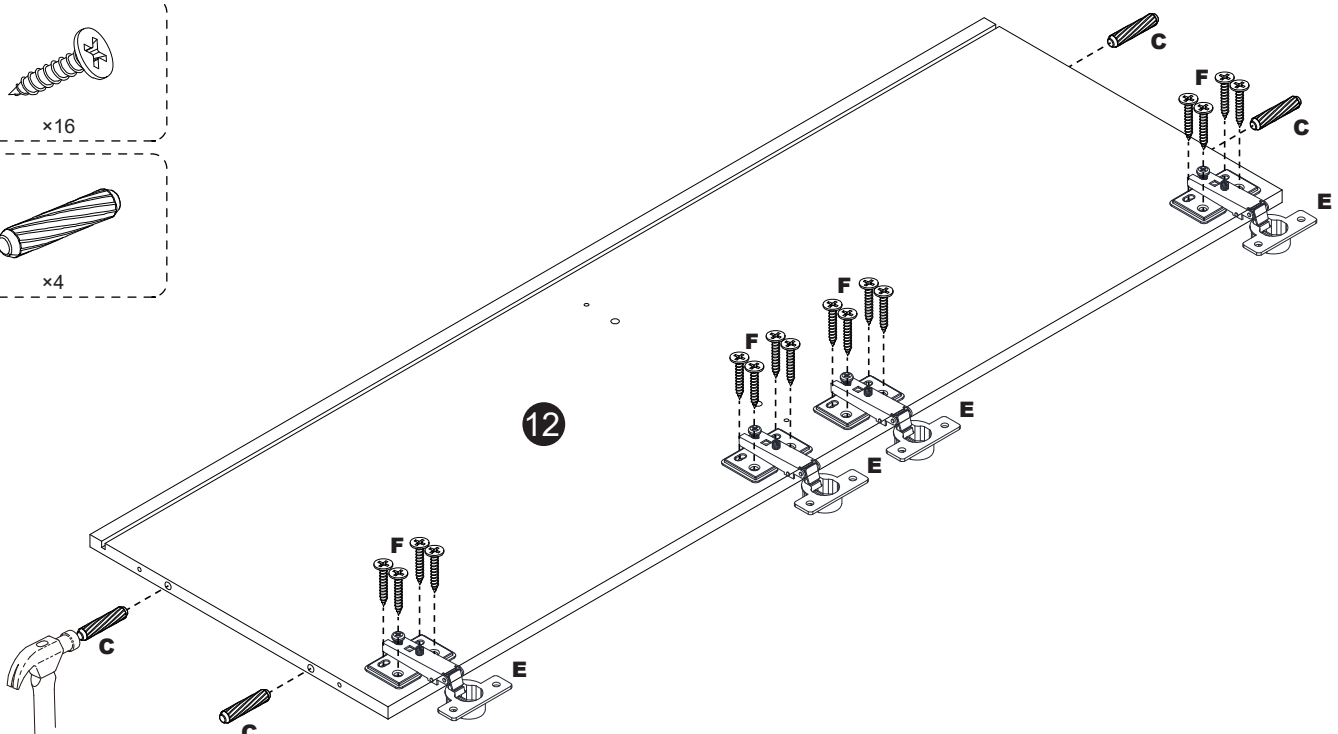
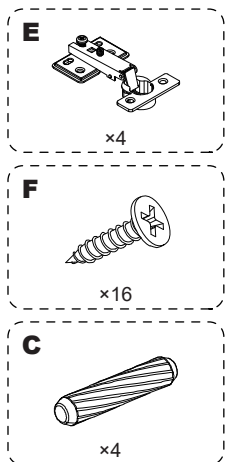
| Step2



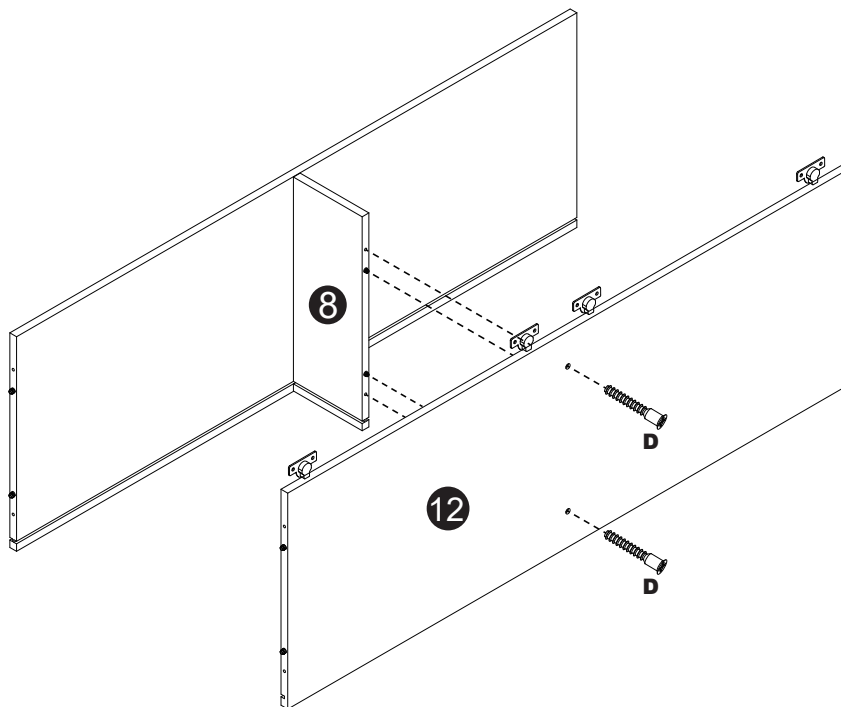
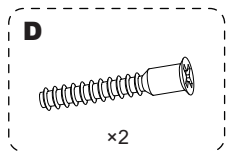
Step 3



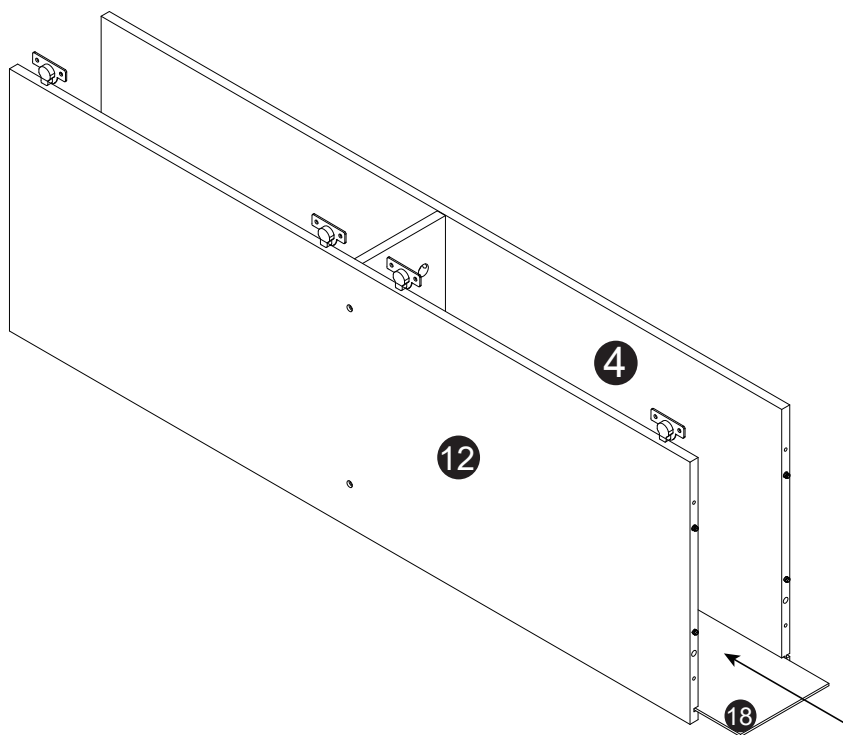
Step 4



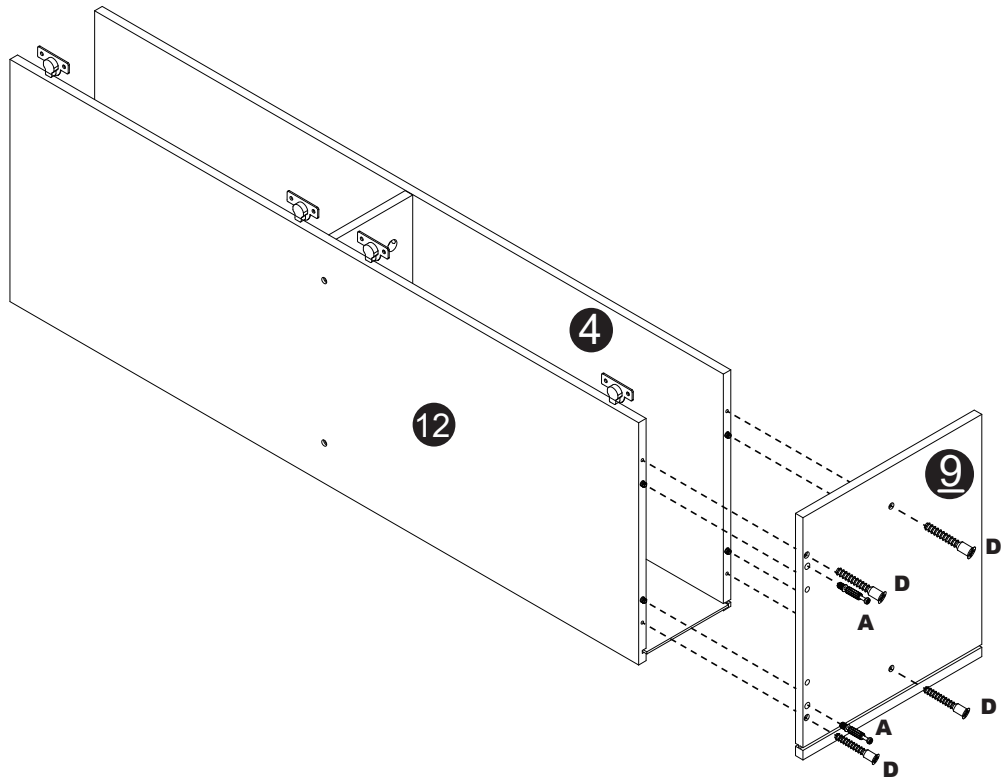
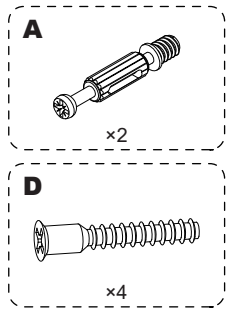
| Step5



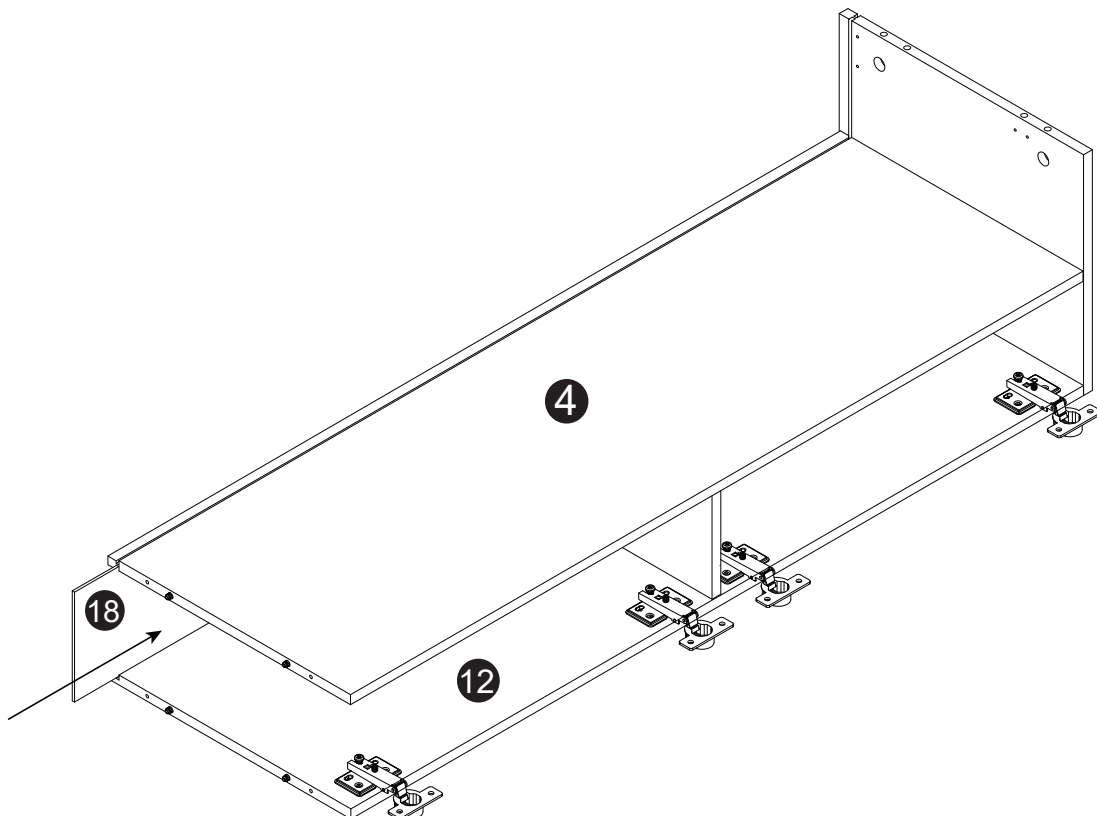
| Step6



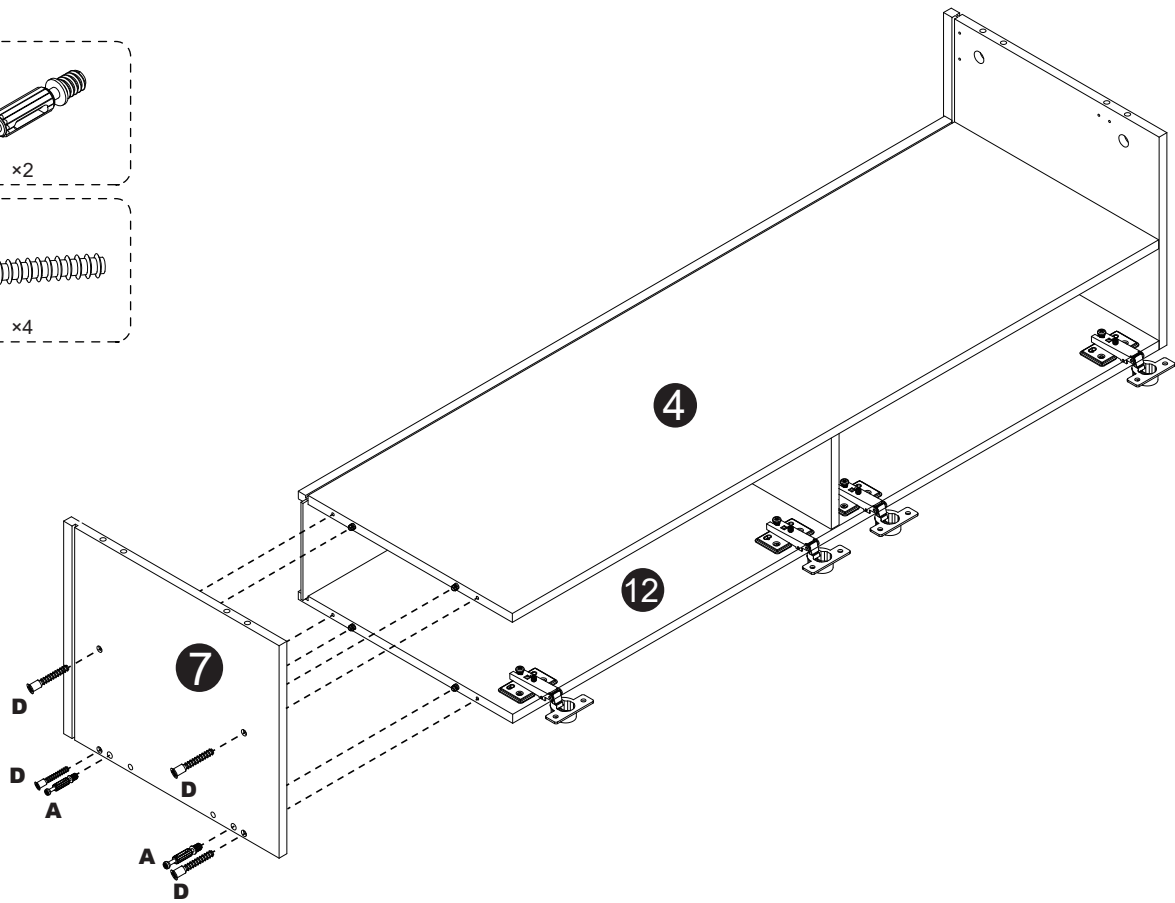
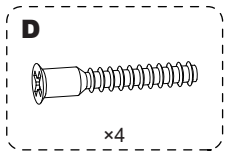
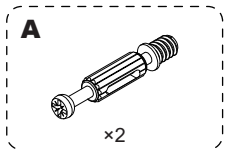
Step 7



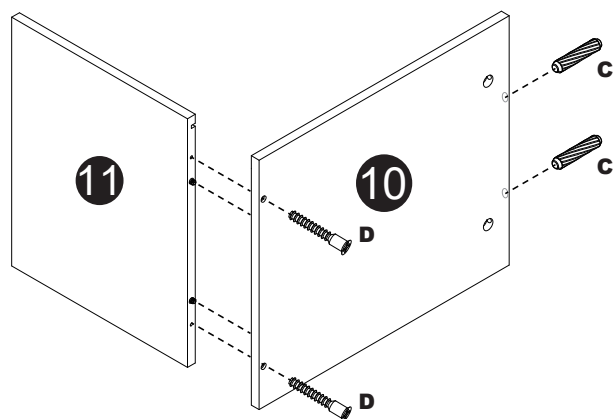
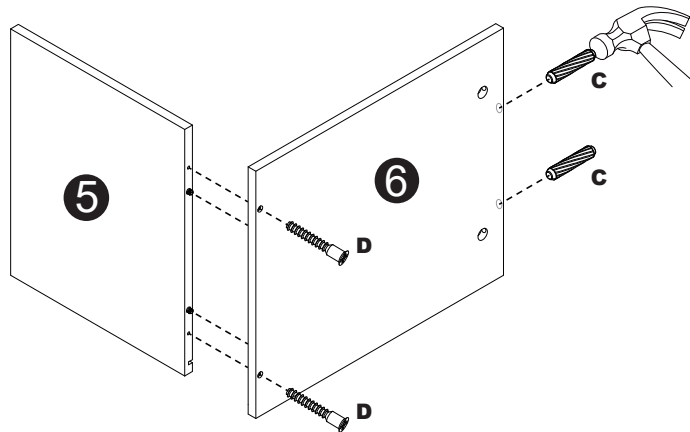
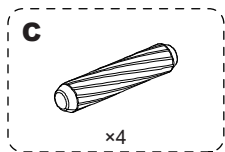
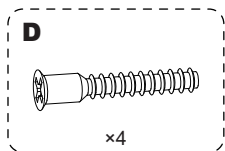
Step 8



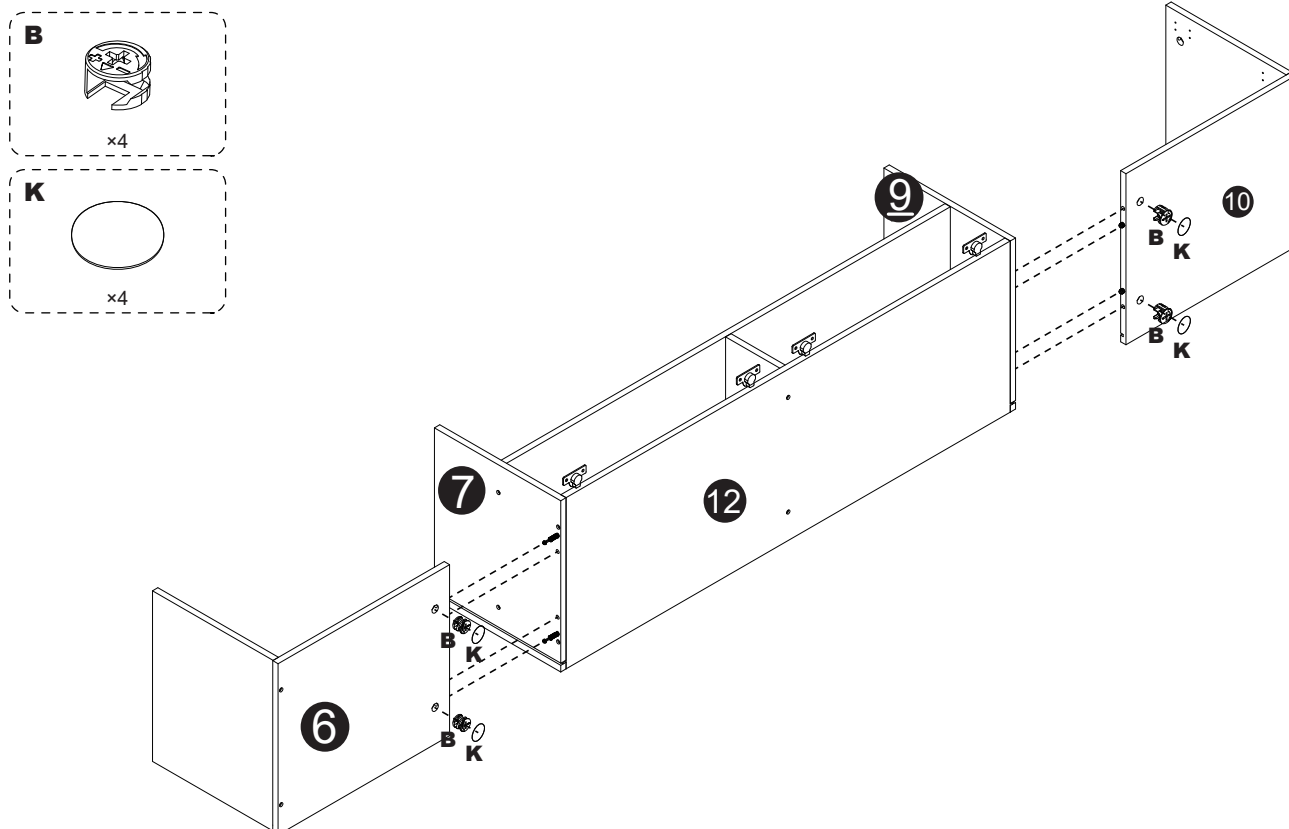
Step 9



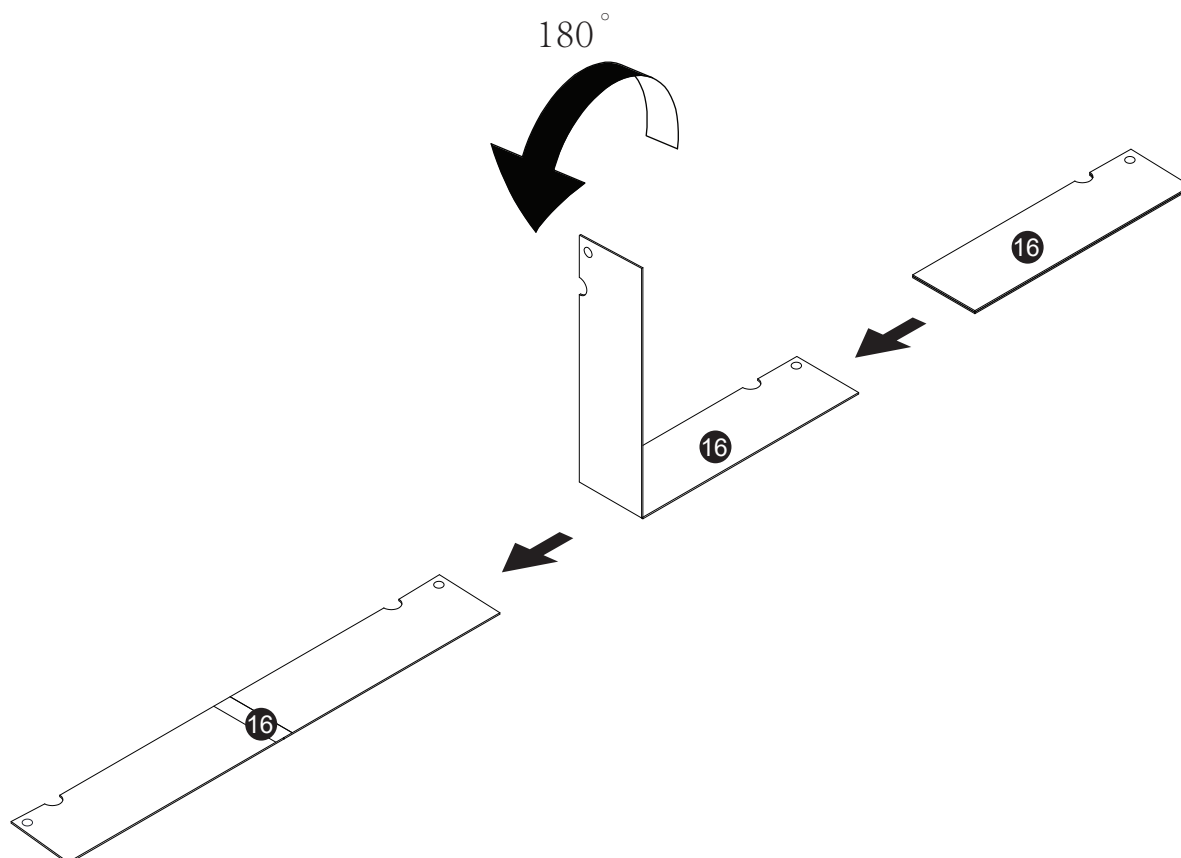
Step 10



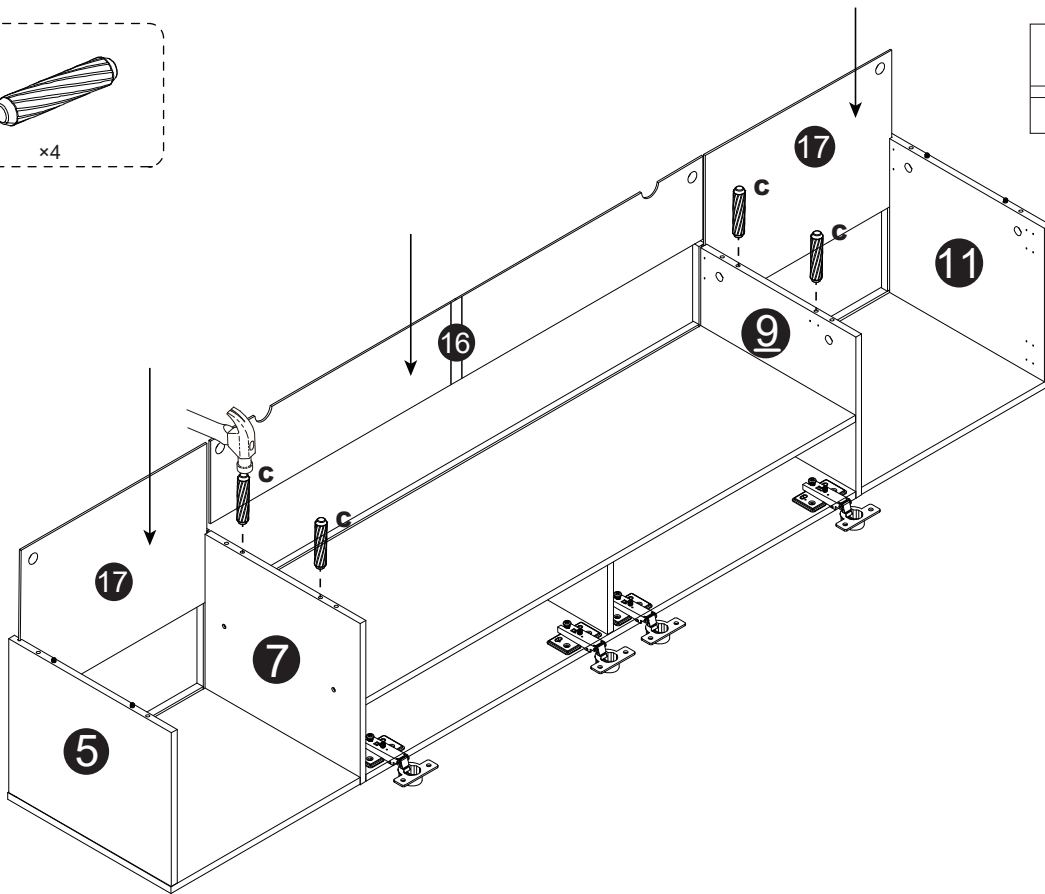
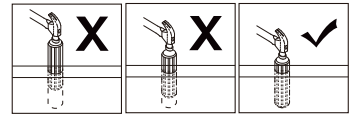
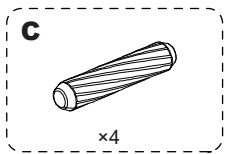
Step 11



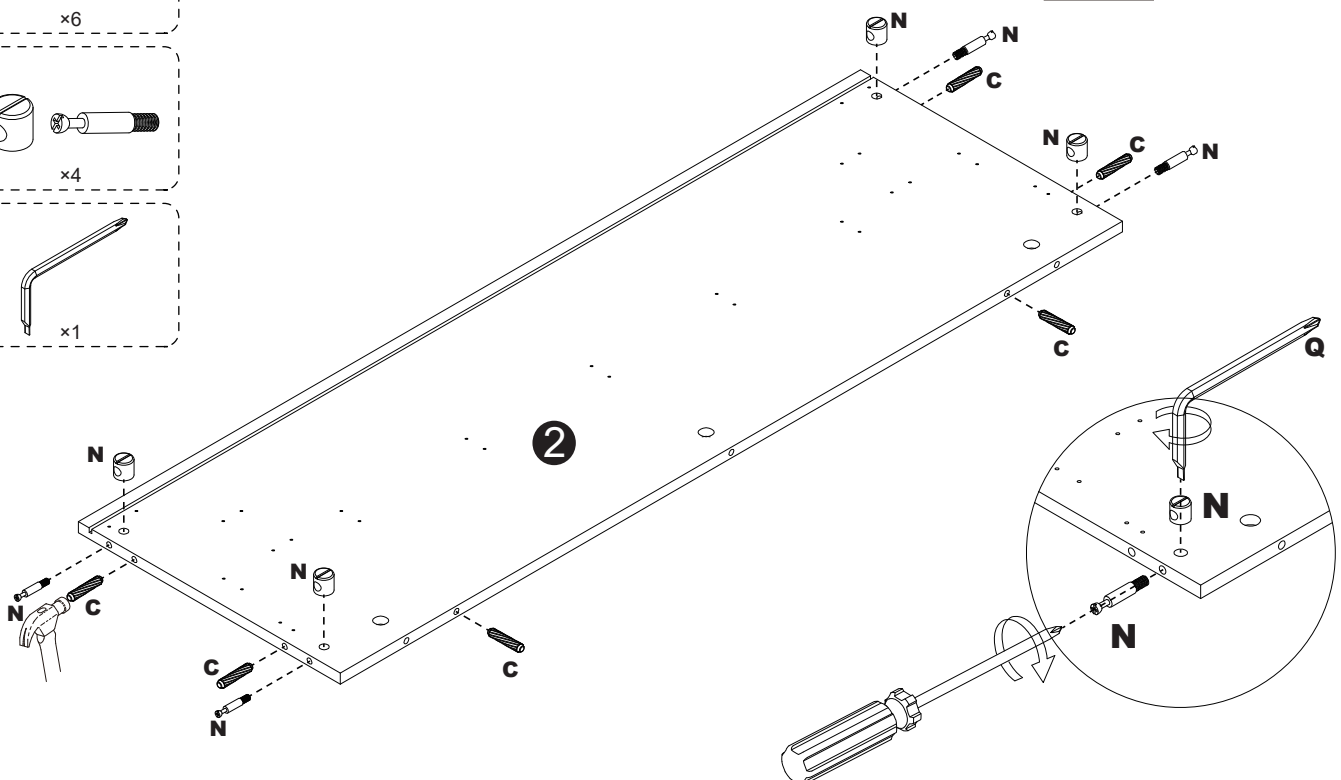
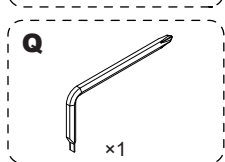
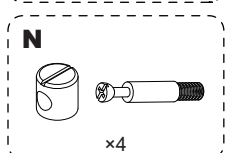
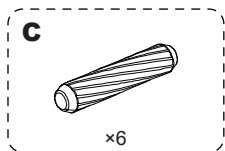
Step 12



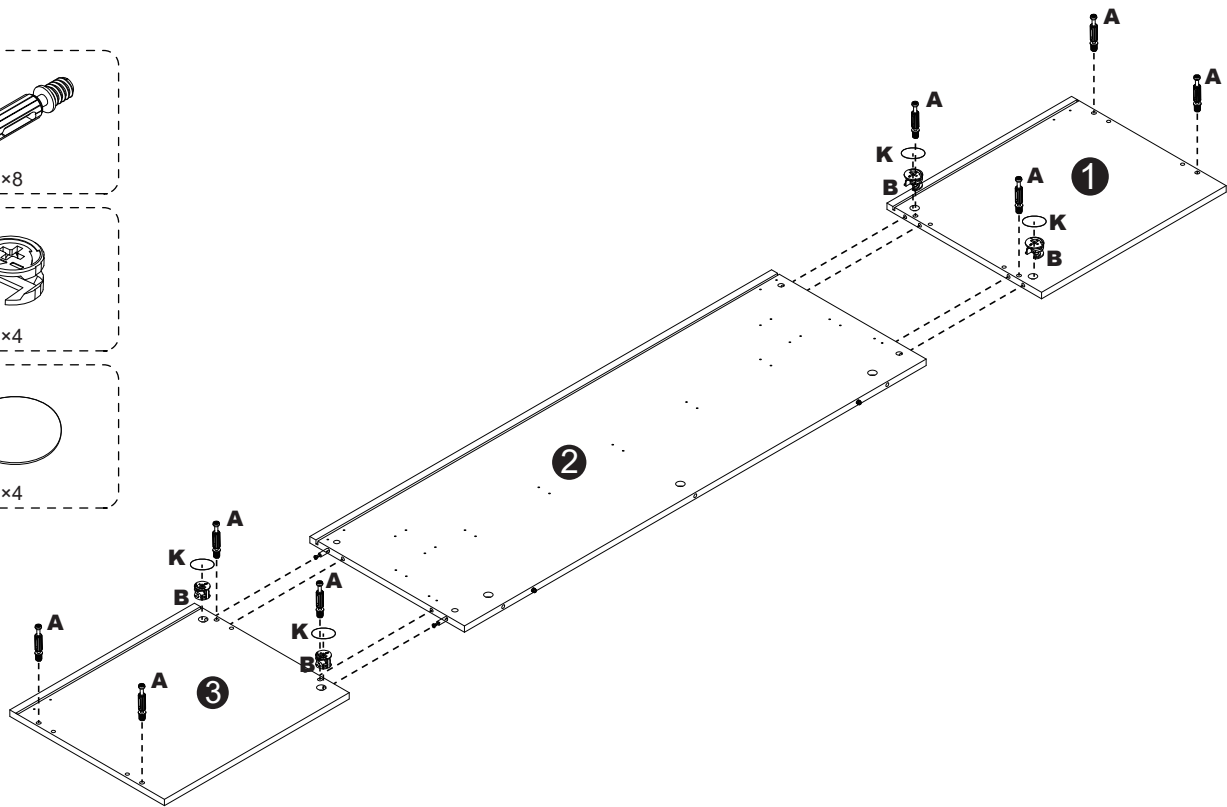
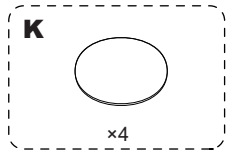
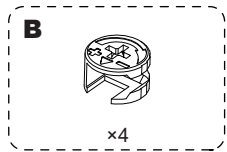
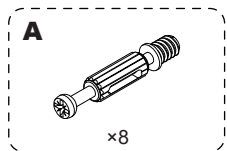
Step 13



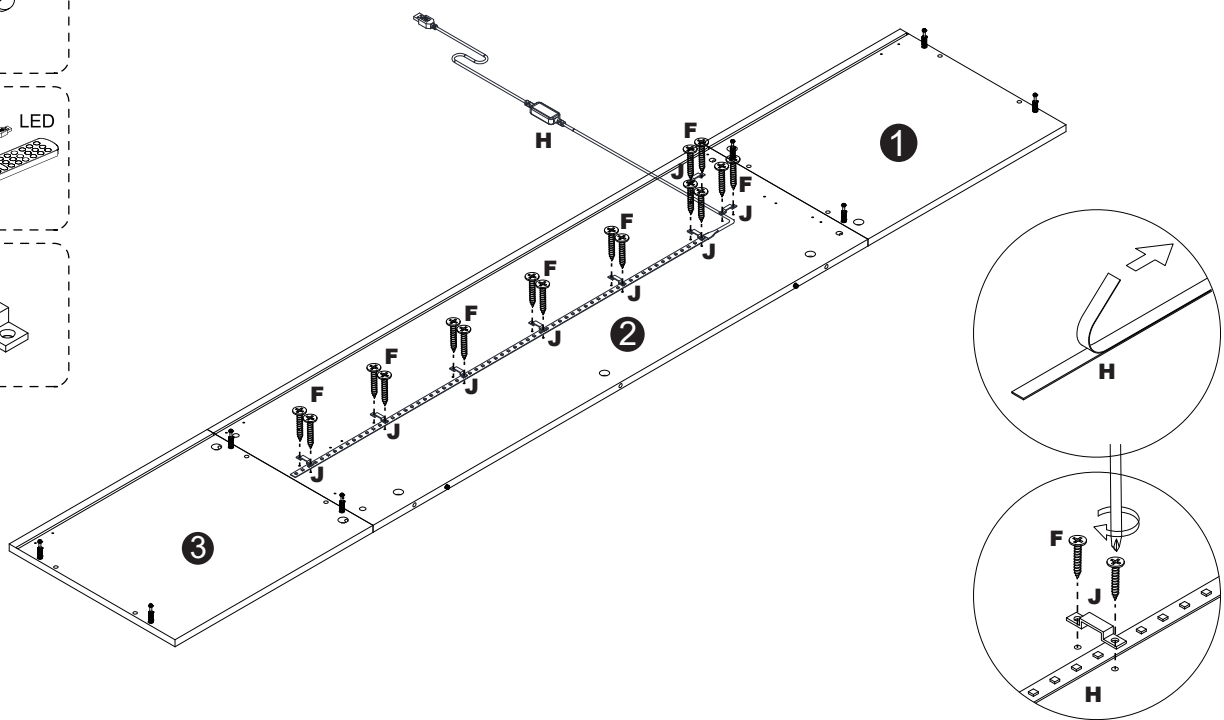
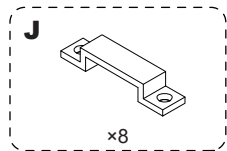
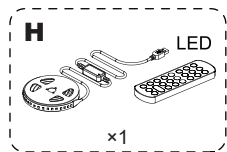
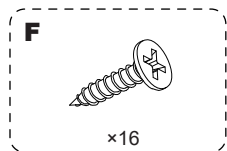
Step 14



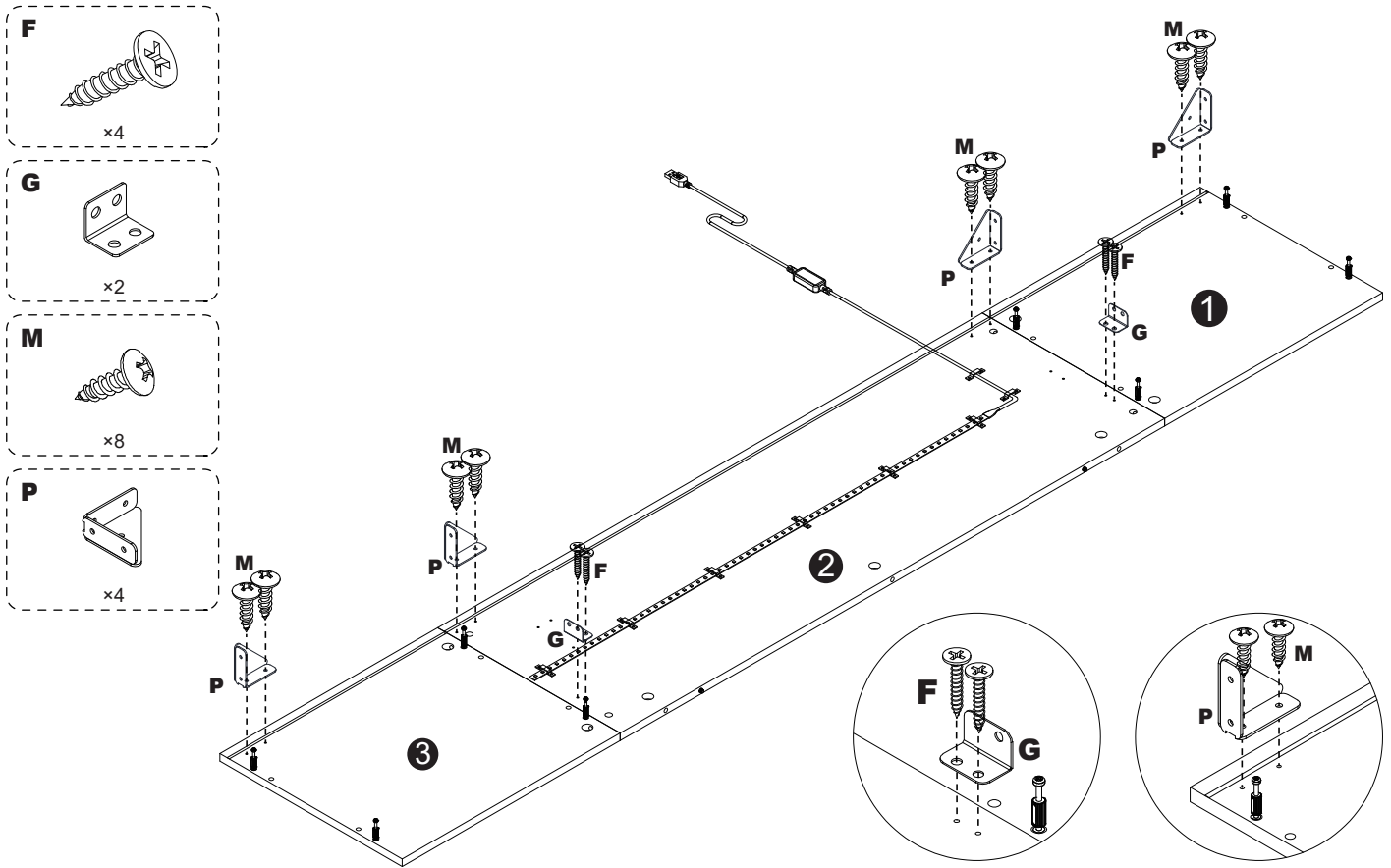
Step 15



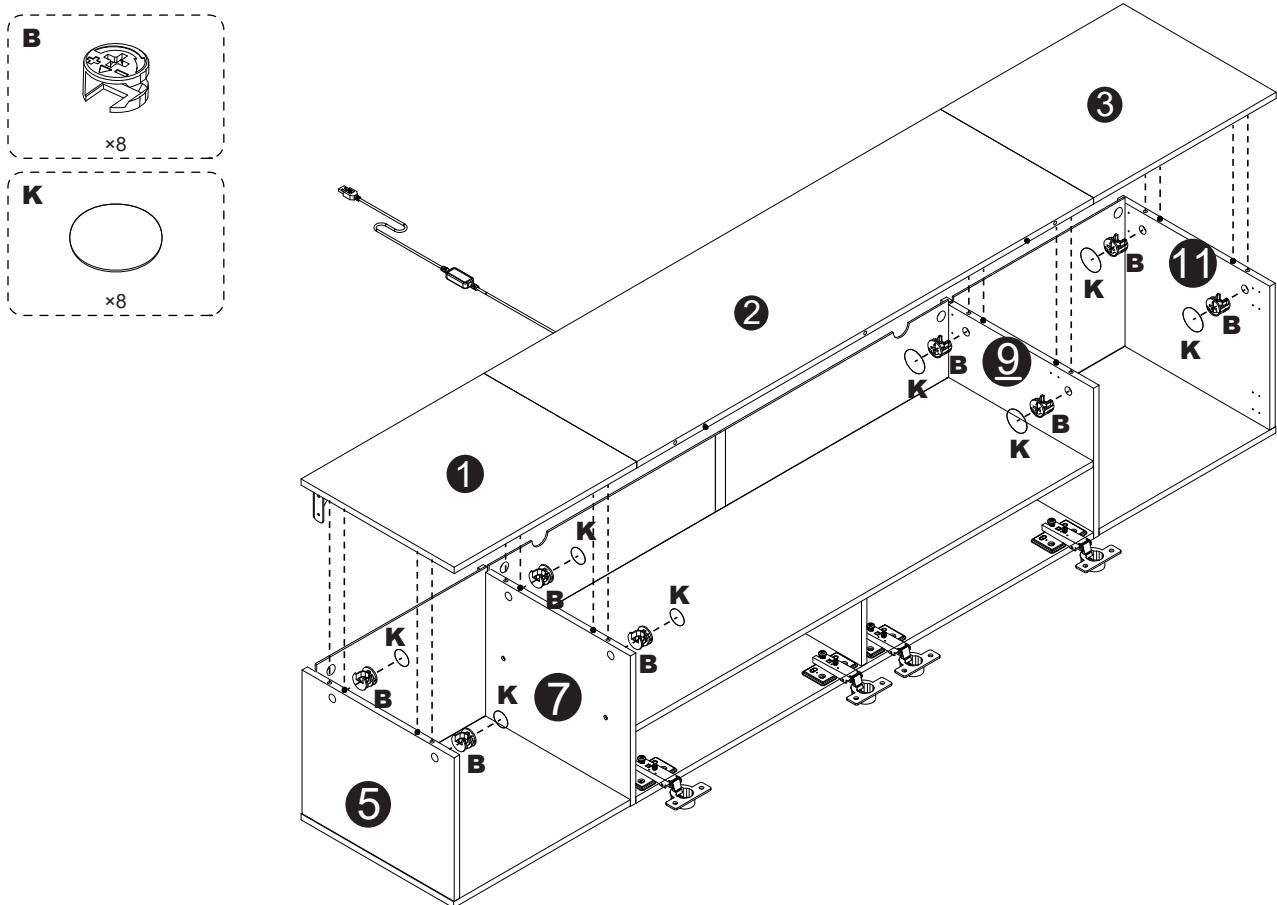
Step 16



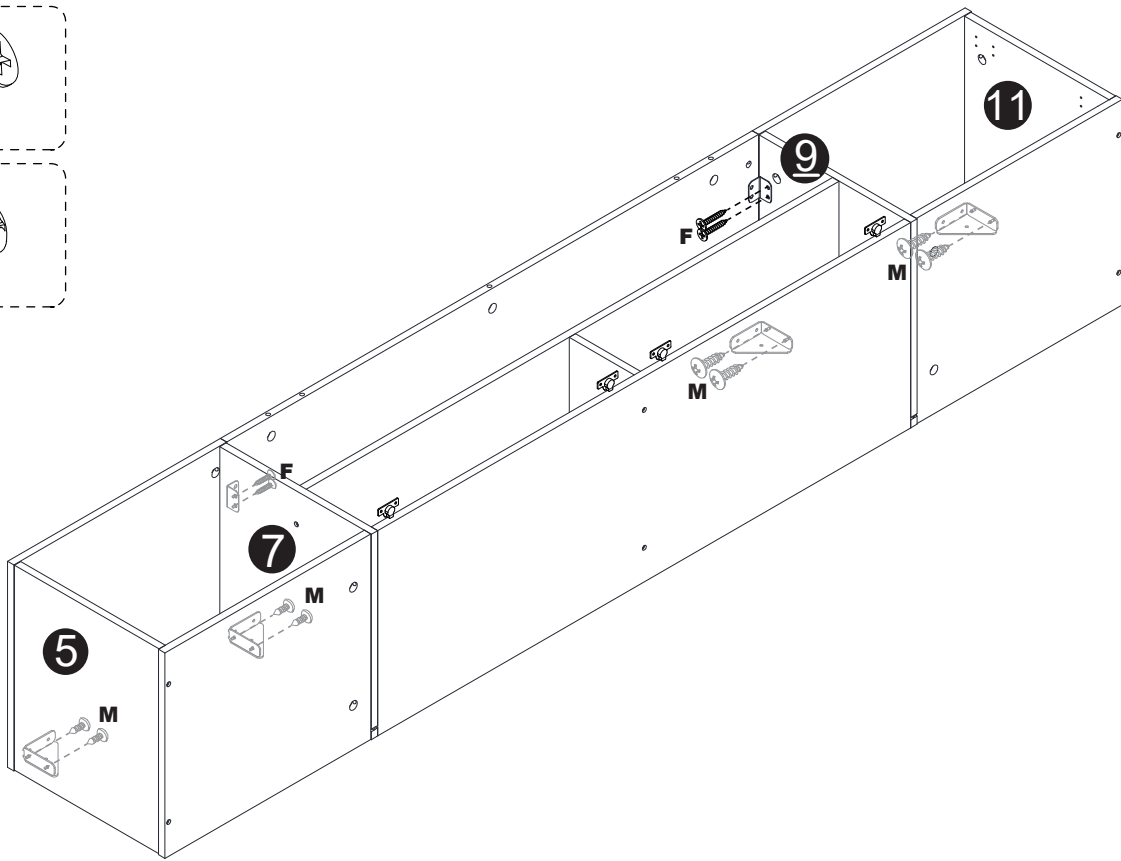
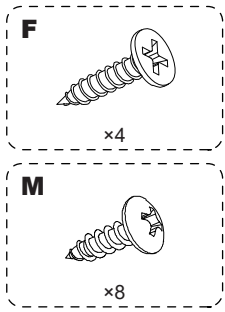
Step 17



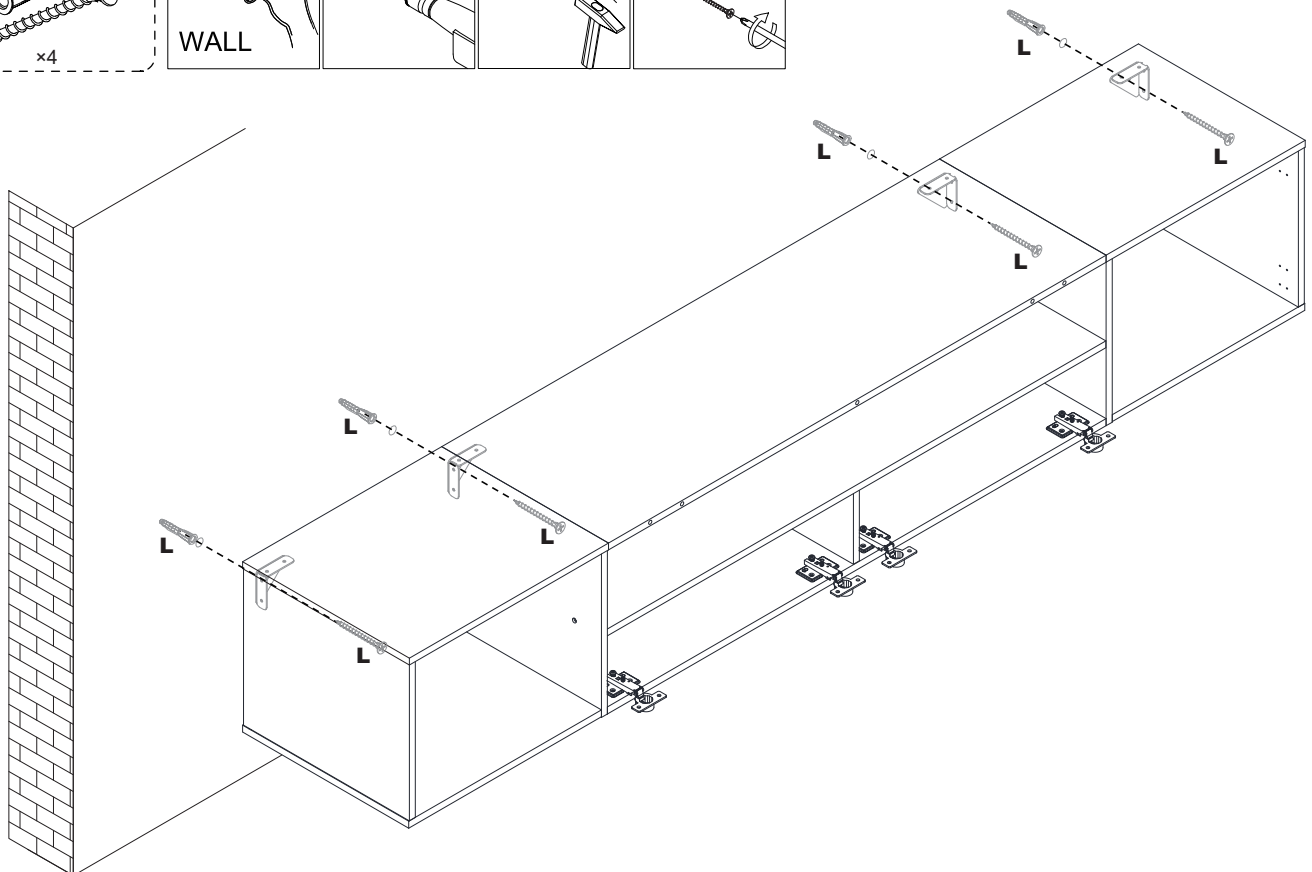
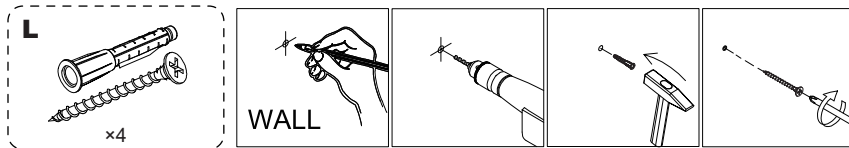
Step 18



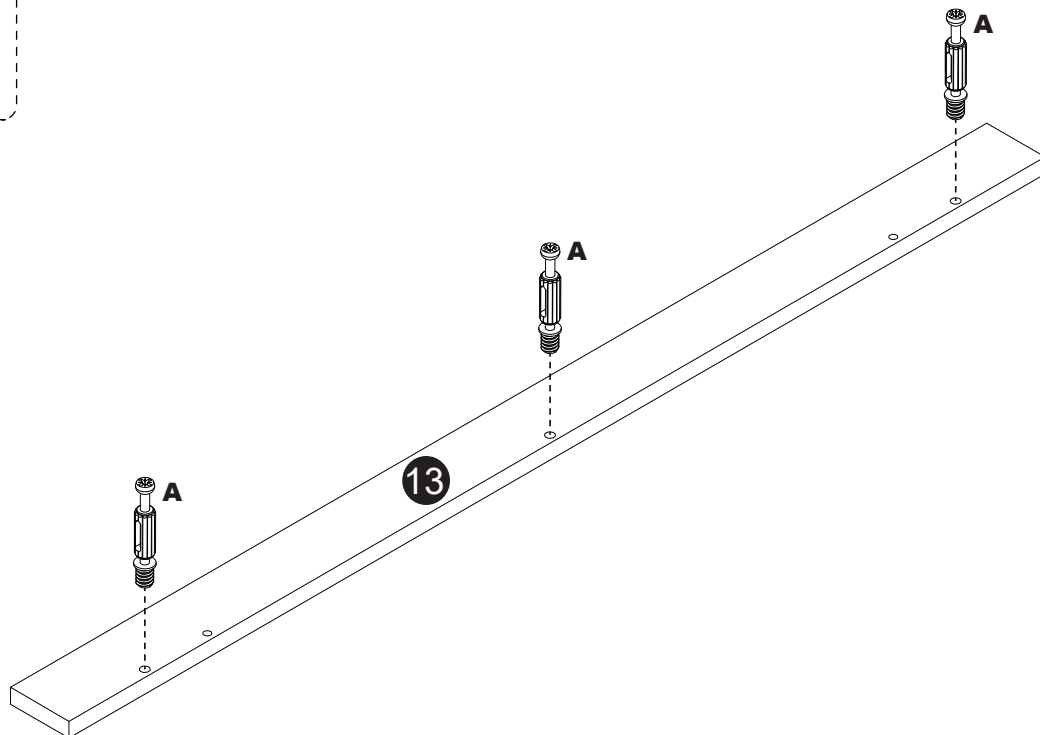
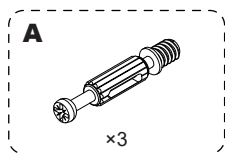
Step 19



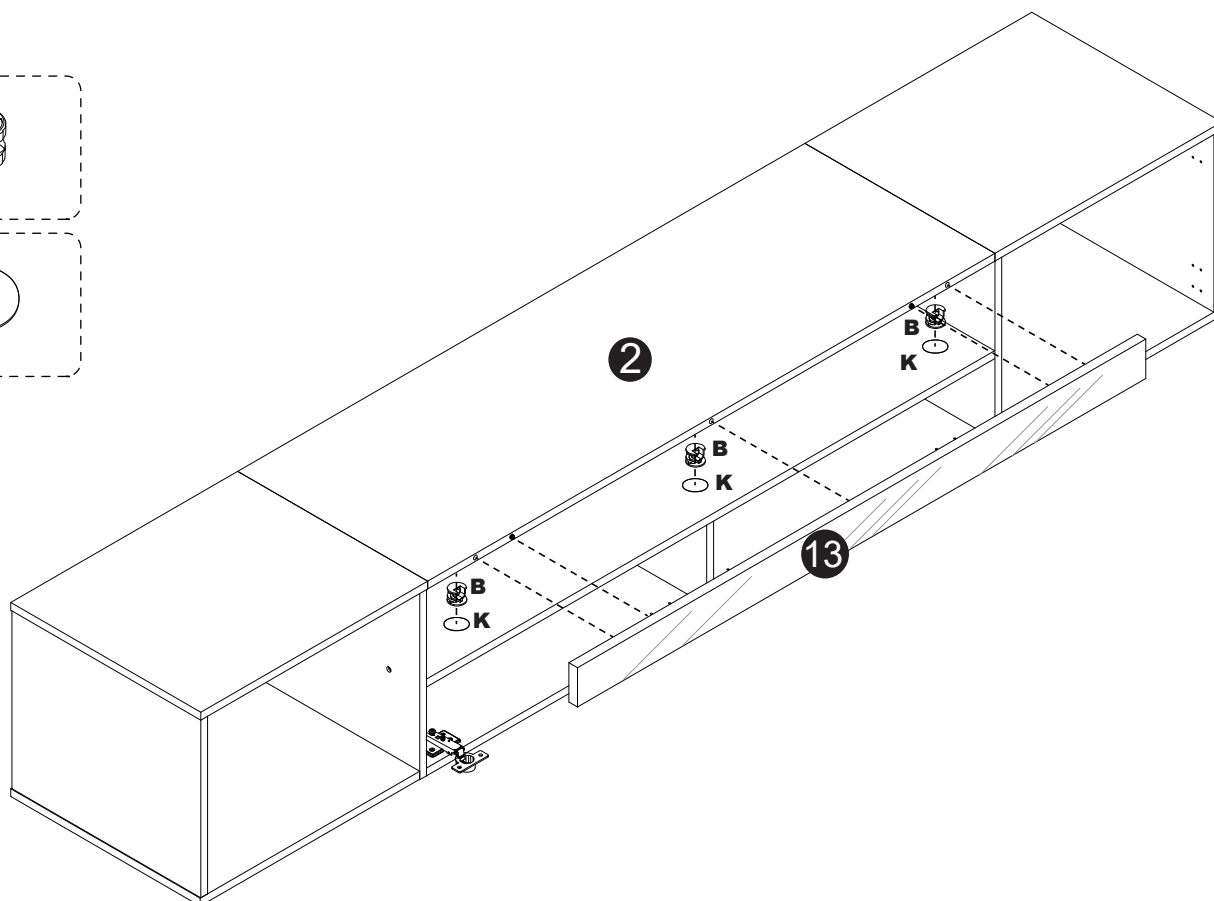
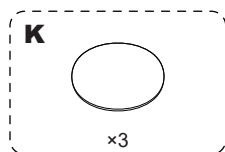
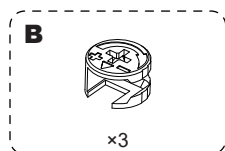
Step 20



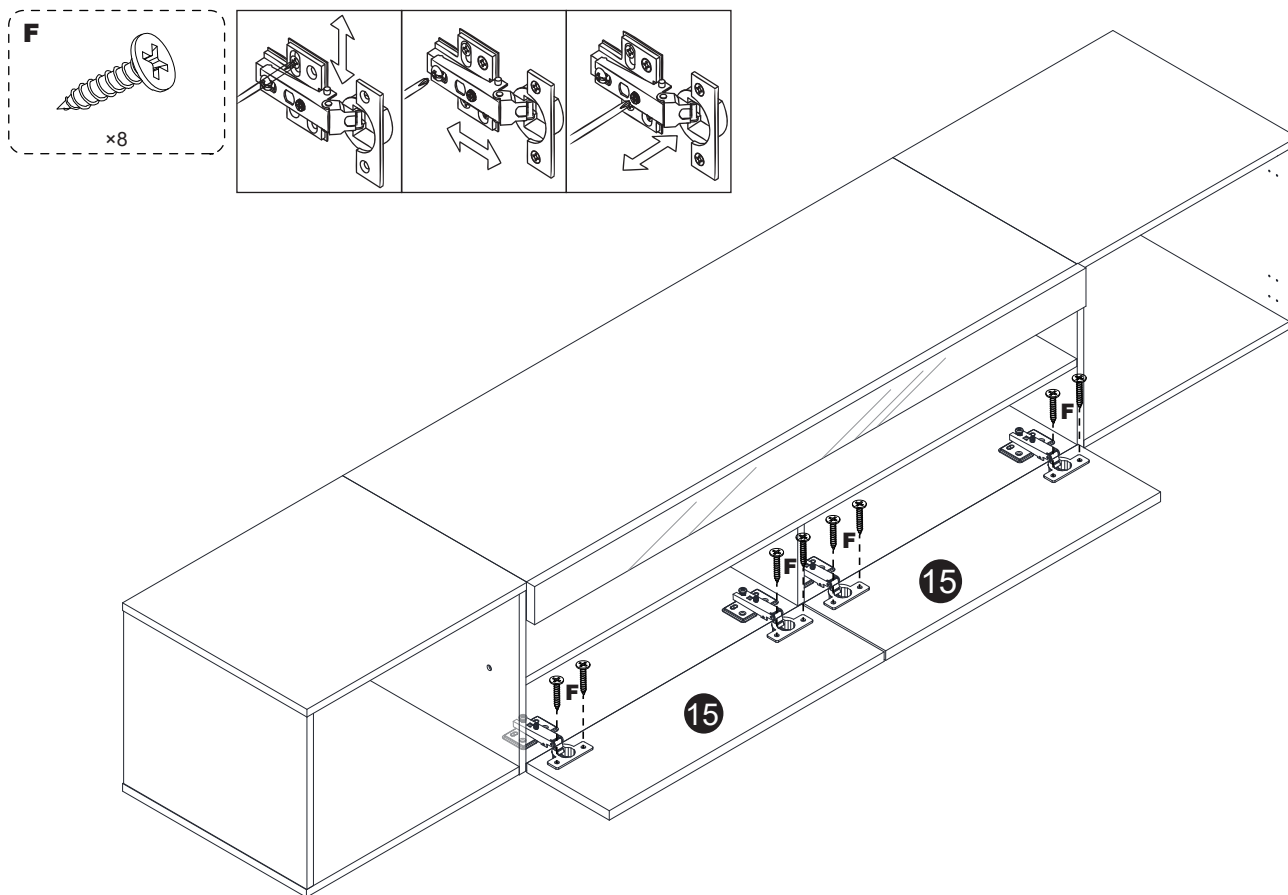
Step 21



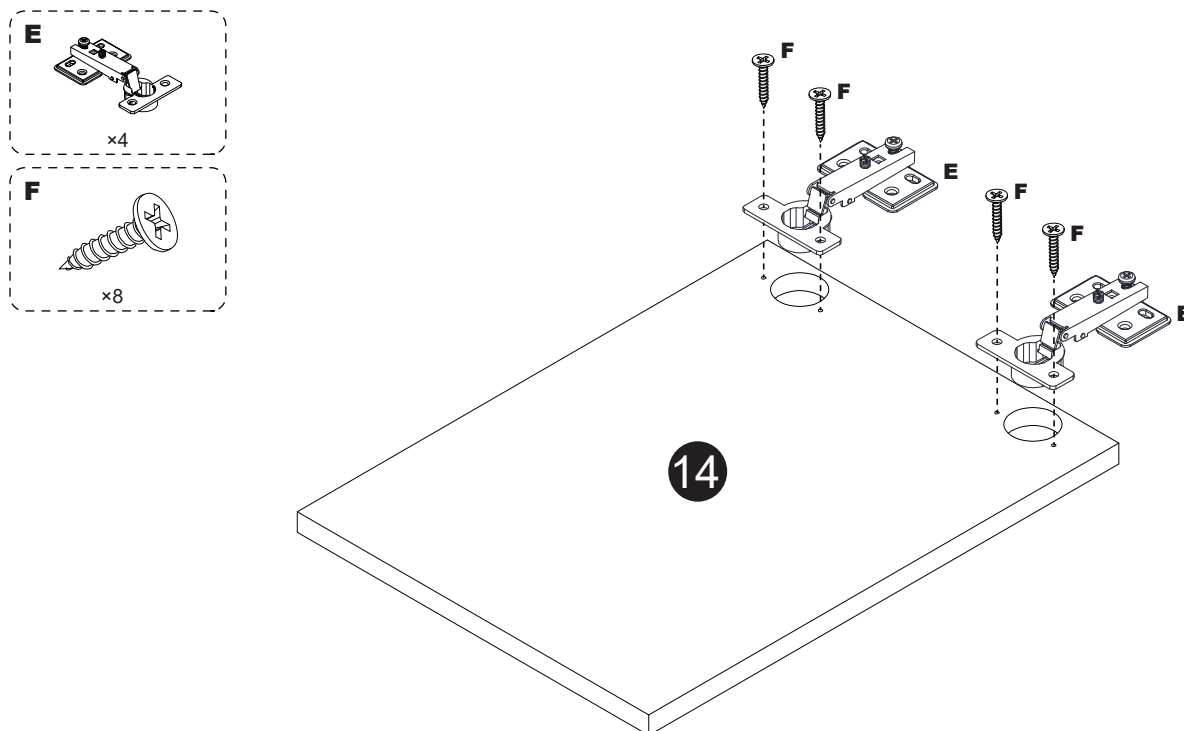
Step 22



Step 23

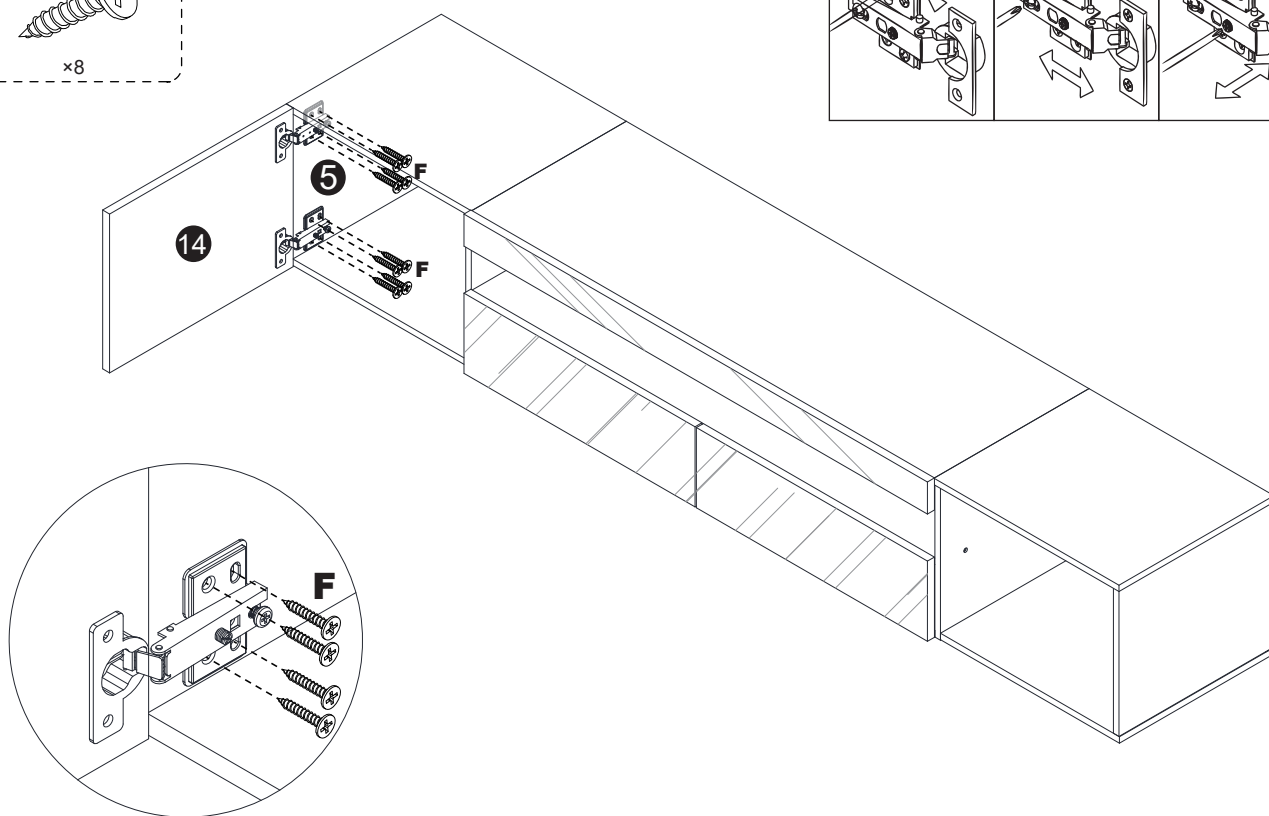
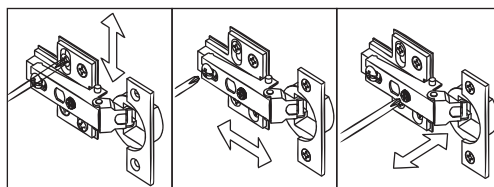
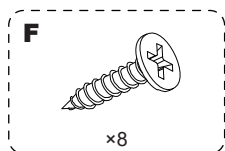


Step 24

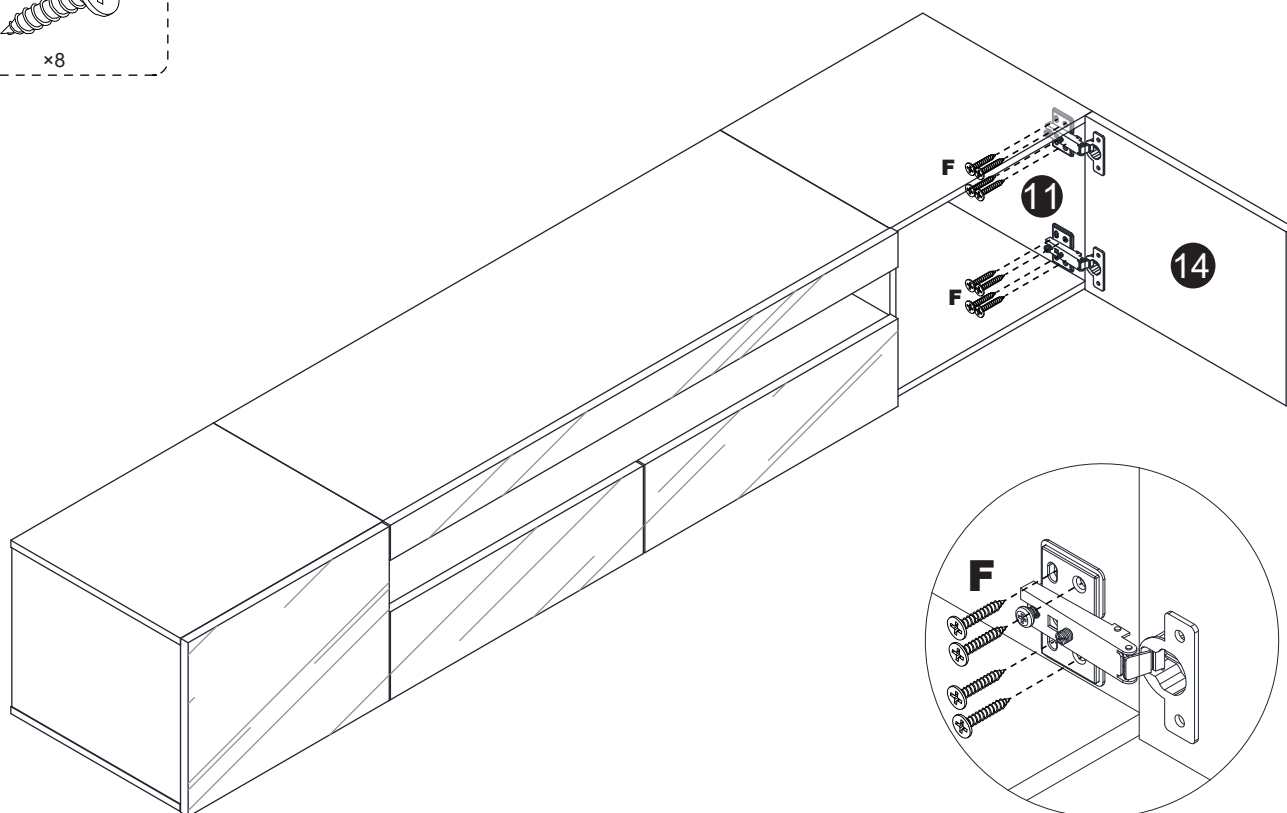
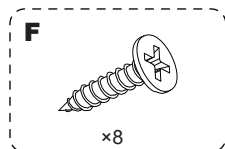


x2

Step 25

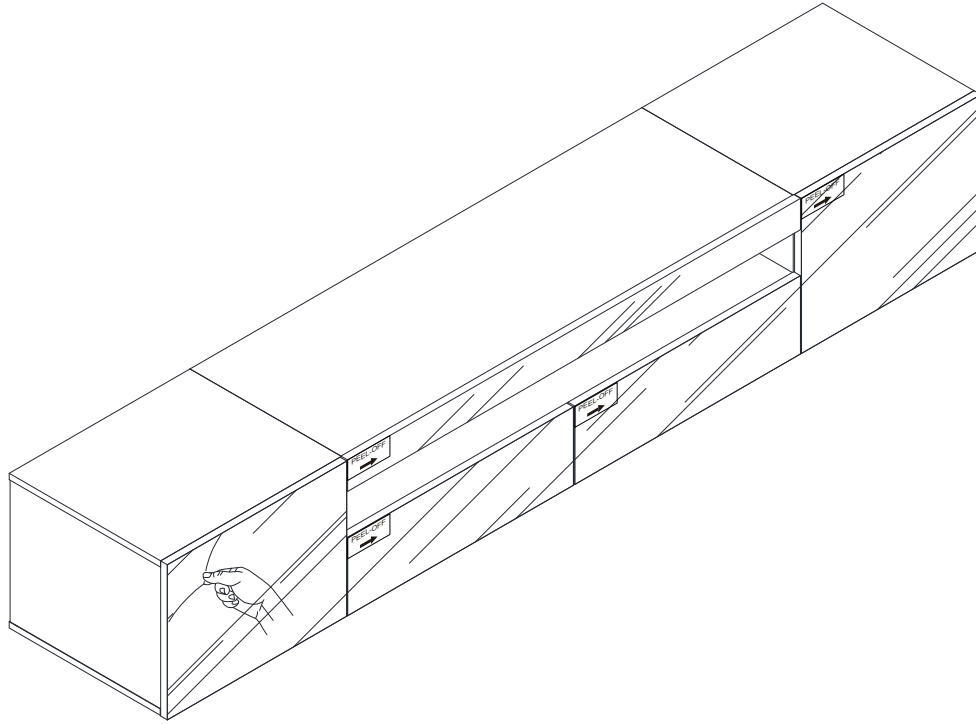


Step 26



| Step27

AS SHOWN, PLS REMOVE THE PROTECTIVE FILM FROM THE HIGHGLOSS PANEL, THEN WIPE THE FOUR EDGES WITH A RAG.



About Us

This product redefines traditional furniture design by incorporating LED lighting that is both functional and visually appealing. A dedicated professional team focuses on delivering innovative, customized designs along with attentive service, aiming to meet diverse customer needs worldwide. The goal is to provide high-quality furniture that enhances everyday living with both style and purpose. The product range has expanded to include a wide selection of LED-integrated furniture, suitable for various spaces such as the living room, bedroom, and bathroom.