

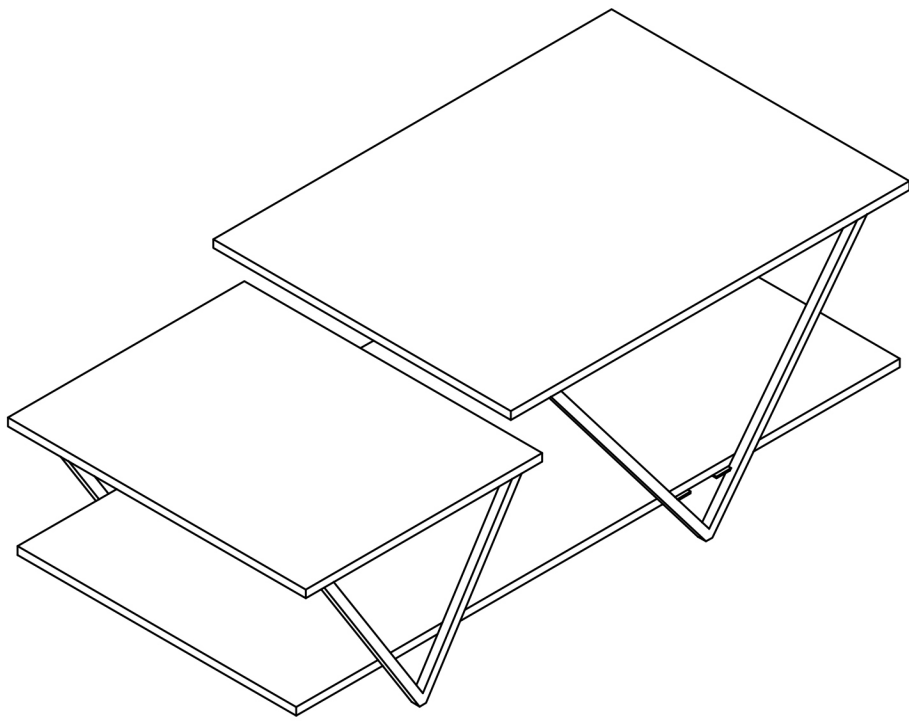
# ASSEMBLY INSTRUCTION

**PLEASE READ BEFORE ASSEMBLING!**

Tip #1: Make sure you've taken all the pieces and hardware out of its packaging before discarding the box.

Tip #2: Using page 2 and/or page 3 of instruction manual make sure all pieces and hardware are accounted for.

ITEM#:294327

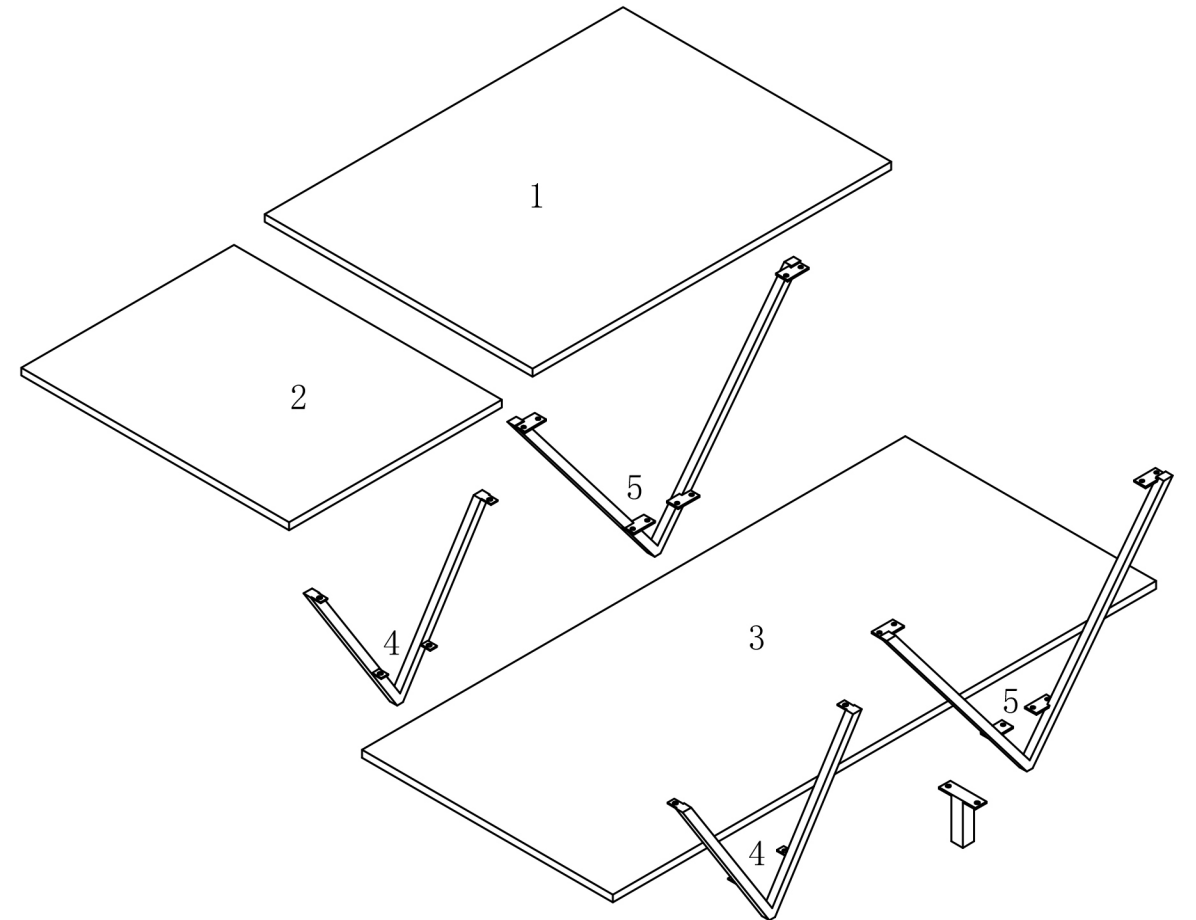


VERSION:20170818

PAGE 1 OF 4

# PARTS IDENTIFICATION

ITEM#:294327



- (1) 1pc
- (2) 1pc
- (3) 1pc
- (4) 2pcs
- (5) 2pcs

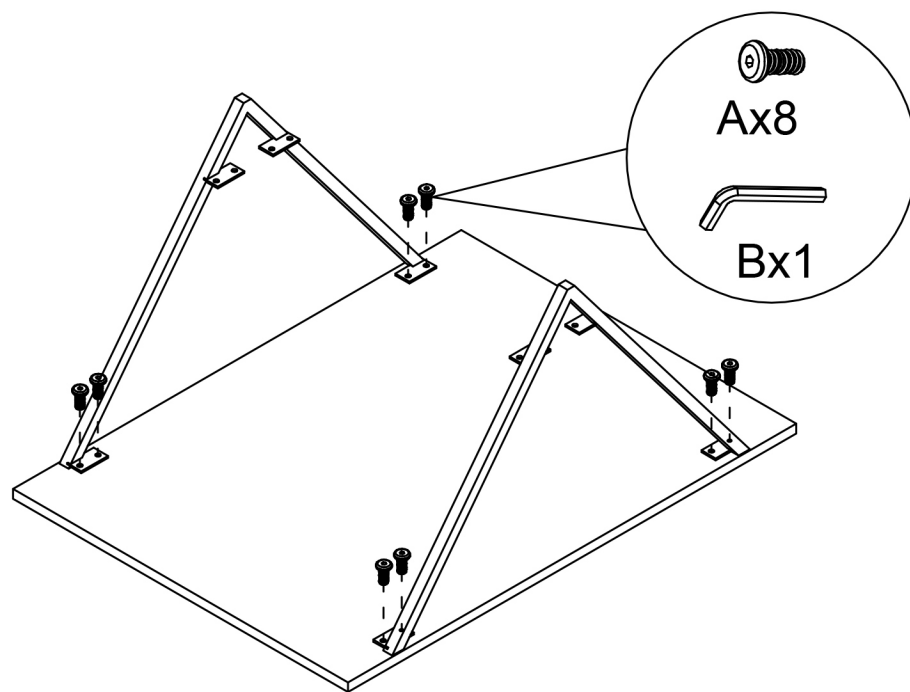
PAGE:2 OF 4

# HARDWARE IDENTIFICATION

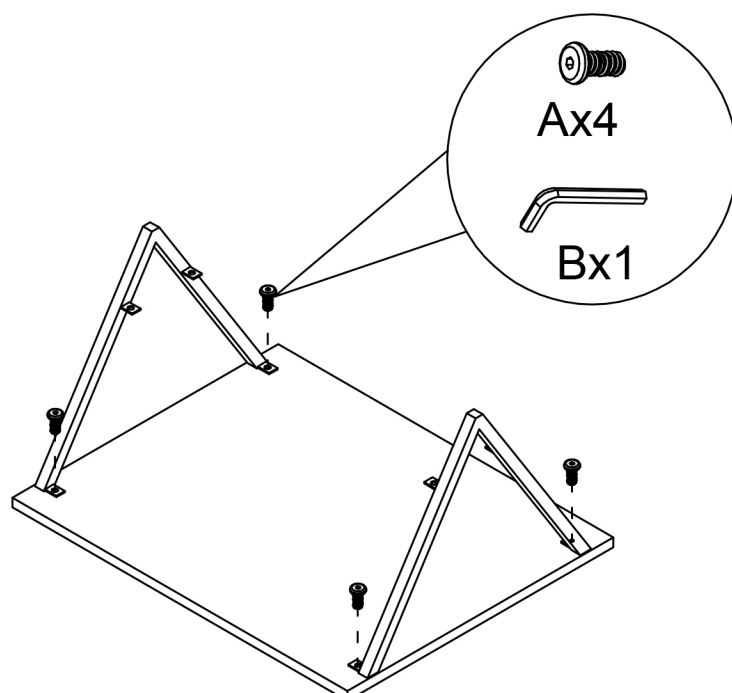
ITEM#:294327

A		Φ 6x12	26PCS
B		M4	1PC
C		H90	1PC

STEP1



STEP2

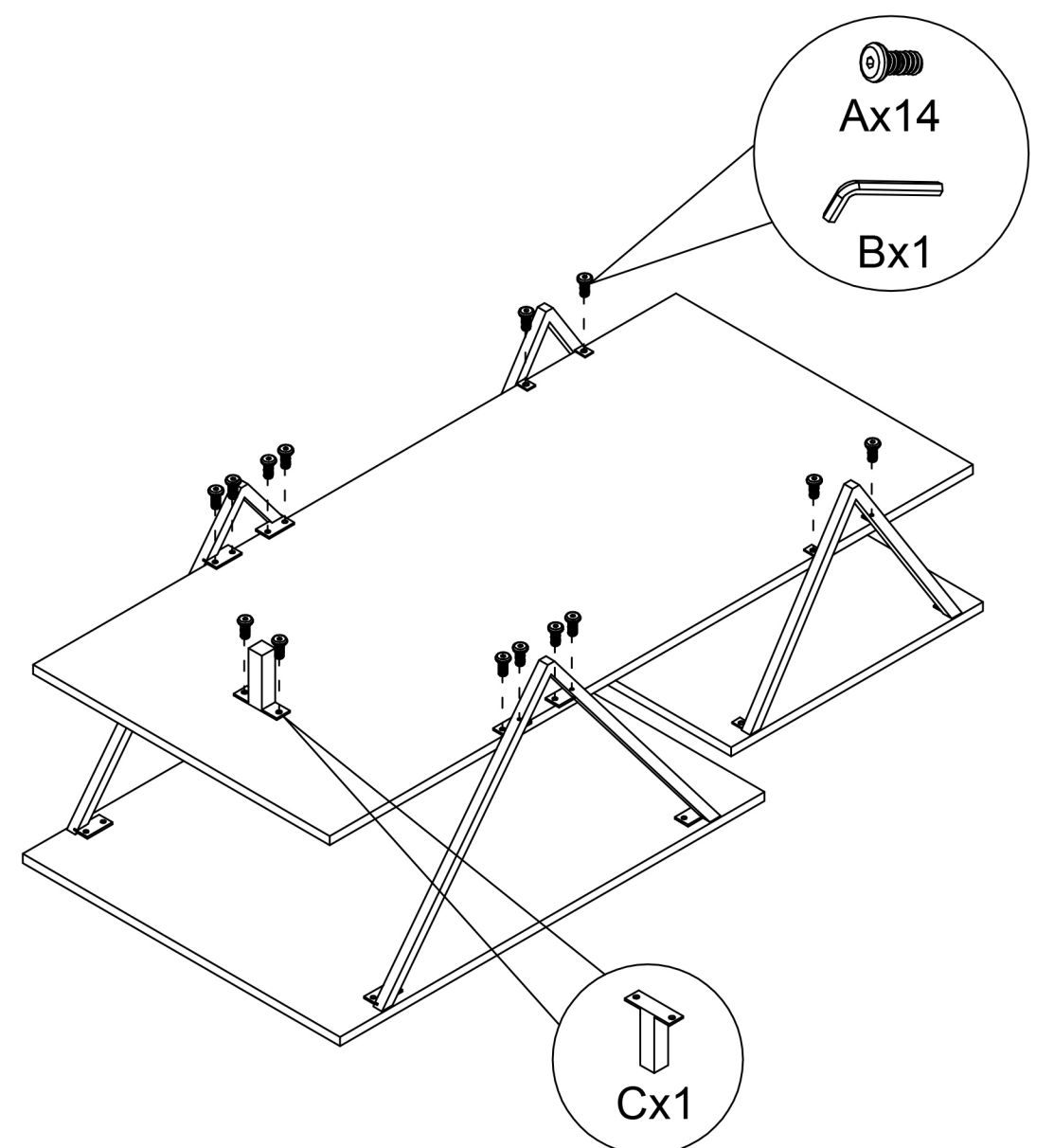


PAGE:3 OF 4

# HARDWARE IDENTIFICATION

ITEM#:294327

STEP3



PAGE:4 OF 4