

# ASSEMBLY INSTRUCTIONS

3-PIECE OUTDOOR CONVERSATION SET

# PARTS

Check that you've received all parts listed below.

A1



(2 pcs)

A2



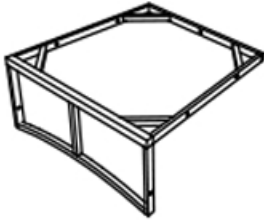
(2 pcs)

B



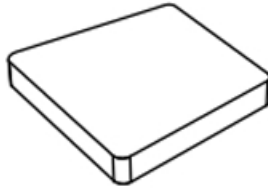
(2 pcs)

C



(2 pcs)

D



(2 pcs)

E



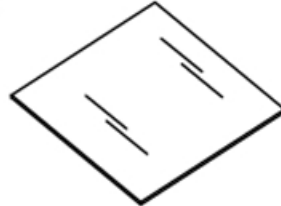
(2 pcs)

F



(2 pcs)

G



(1 pc)

# HARDWARE

Check that you've received all hardware listed below.

① M6x30mm



(26pcs)

② Ø6x14x1



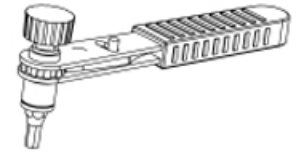
(26 pcs)

③ Allen key



(1 pc)

④ Torque wrench



(1 pc)

**Torque Wrench**

How to Use:

When turning the screw clockwise, please turn the "P" to the left side.

When turning the screw counterclockwise, please turn the "P" to the right side.

NOTE: A Torque Wrench is the recommended alternative to an Allen key and is typically easier to use.

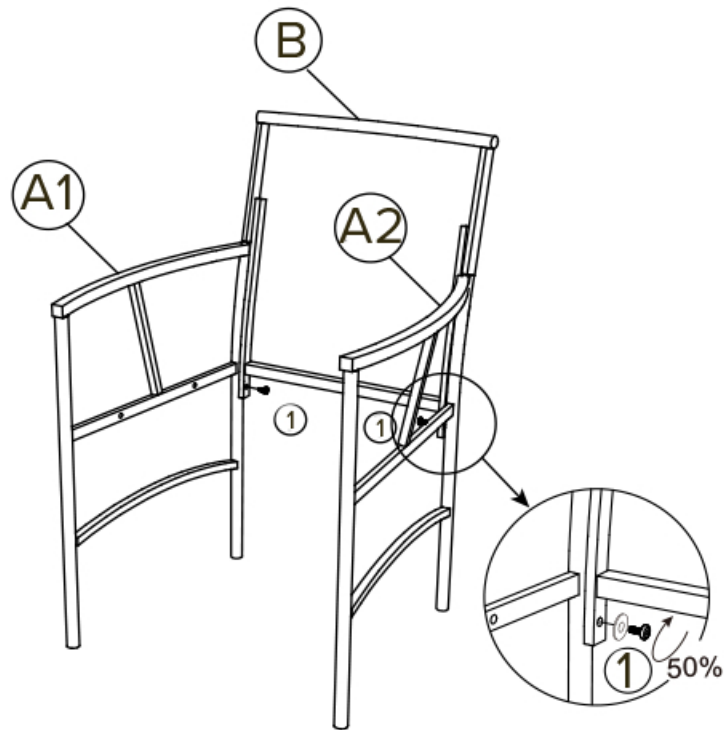
# STEP 1

Repeat for each chair.

Tighten bolts halfway



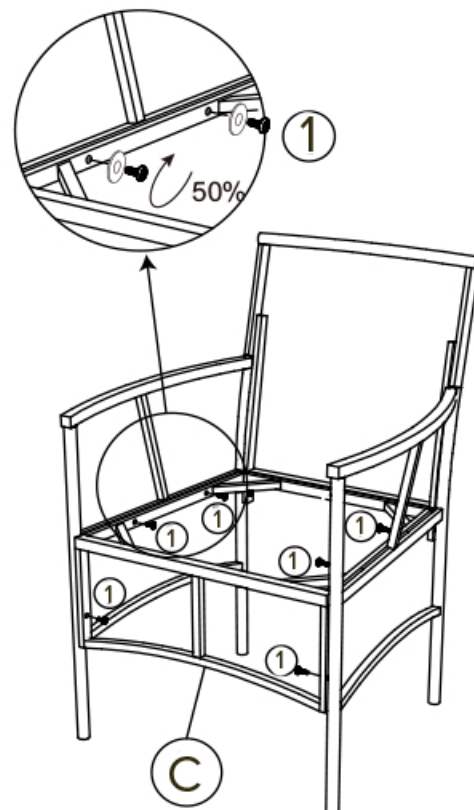
Connect Chair Back (B) to Arm (A1, A2) with bolt (1) and washer (2).



# STEP 2

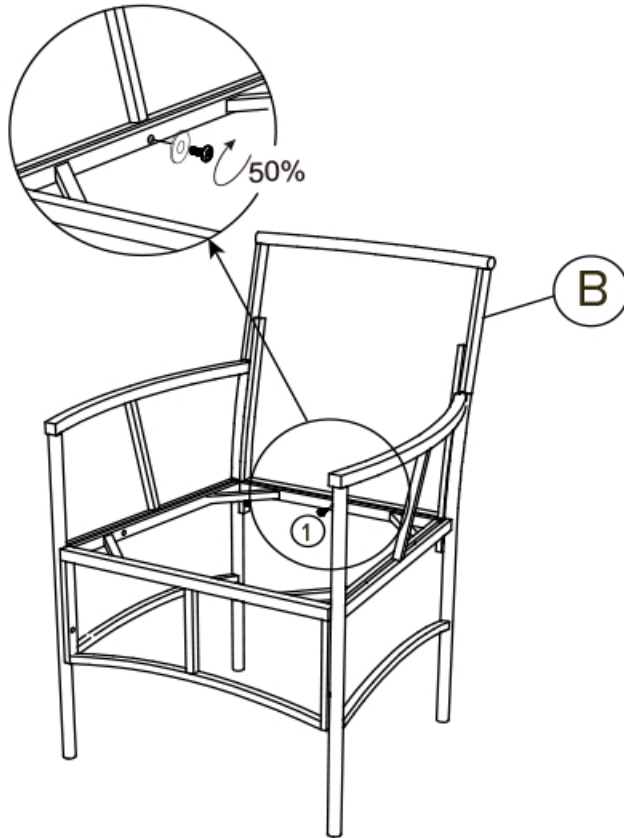
Repeat for each chair.

Connect from Step 1 to Seat Panel (C) with bolt (1) and washer (2).



# STEP 3

Repeat for each chair.

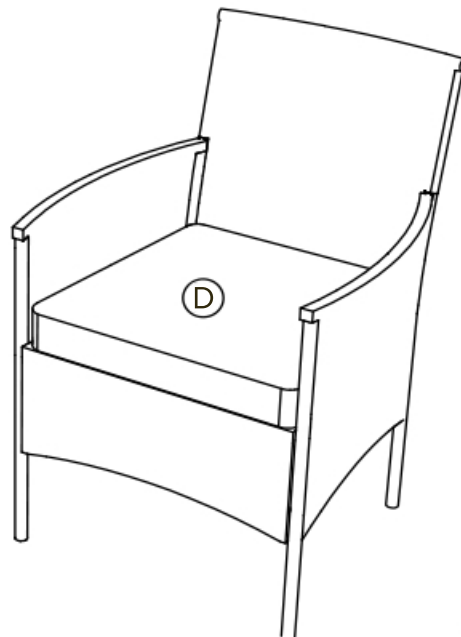


Secure a spring washer (2) and a bolt (1).

# STEP 4

Repeat for each chair.

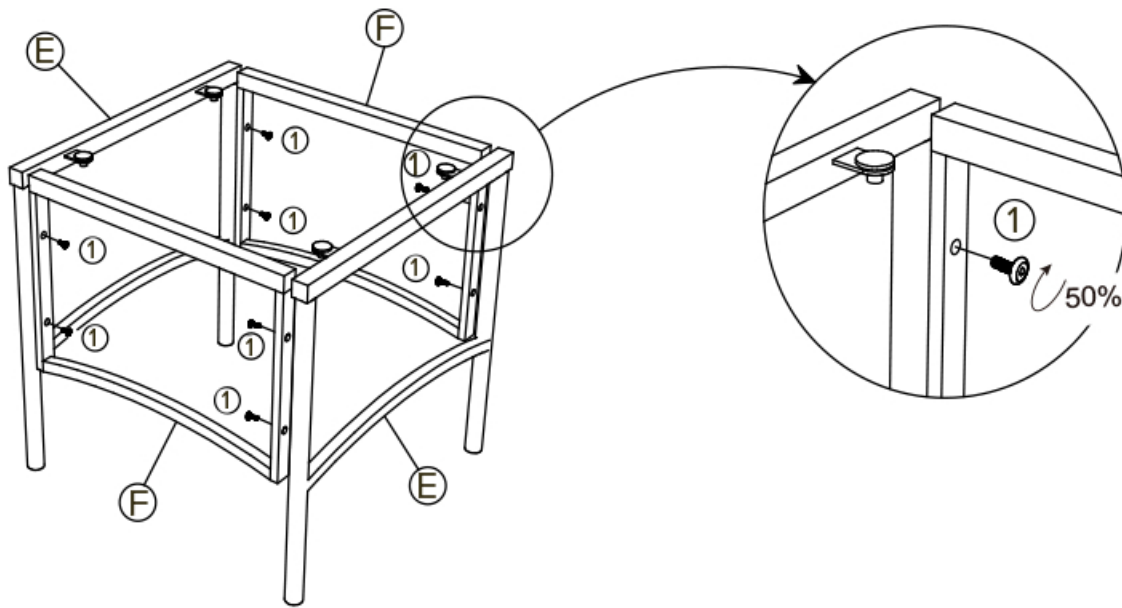
Fully tighten all bolts  
Place Seat cushion (D) and move on.



**X2**

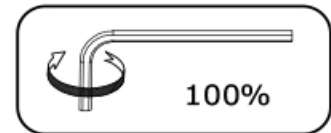
# STEP 5

Connect Table Leg (E) and Table Side (F) with bolt (1) and washer (2).

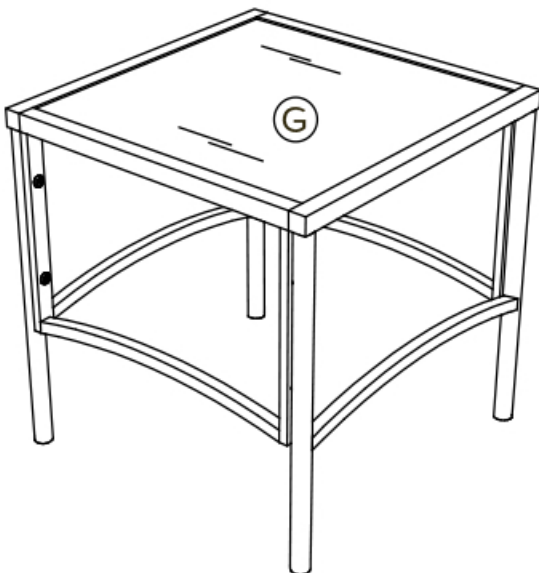


# STEP 6

Fully tighten all bolts.



Place Table Top (G) to complete.



Enjoy.



## CARE INSTRUCTIONS

Outdoor furniture naturally weathers and shows color variation over time. We recommend the following care for the best results:

- Wipe with a soft cloth.
- Wash with mild soap and water as needed; do not use abrasive cleaners.
- Cover furniture with an outdoor cover (not included) when not in use.
- Store in a dry, covered area during inclement weather or winter season.



After assembly is completed, save these instructions and any included tools for future maintenance or re-assembly.