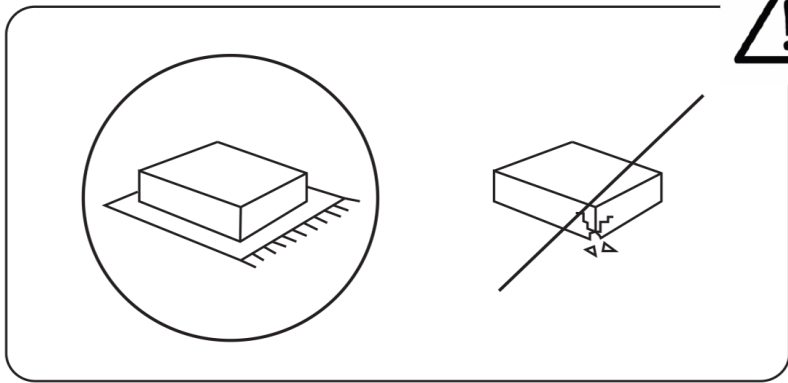
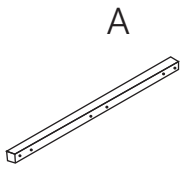


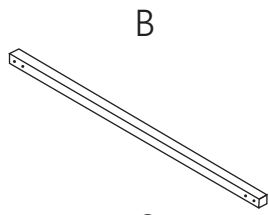
40'



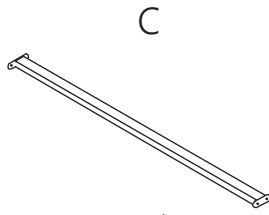
1



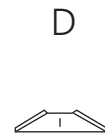
x 2



x 2



x 1



x 4



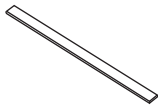
x 4

F



x 10

G



x 48

H

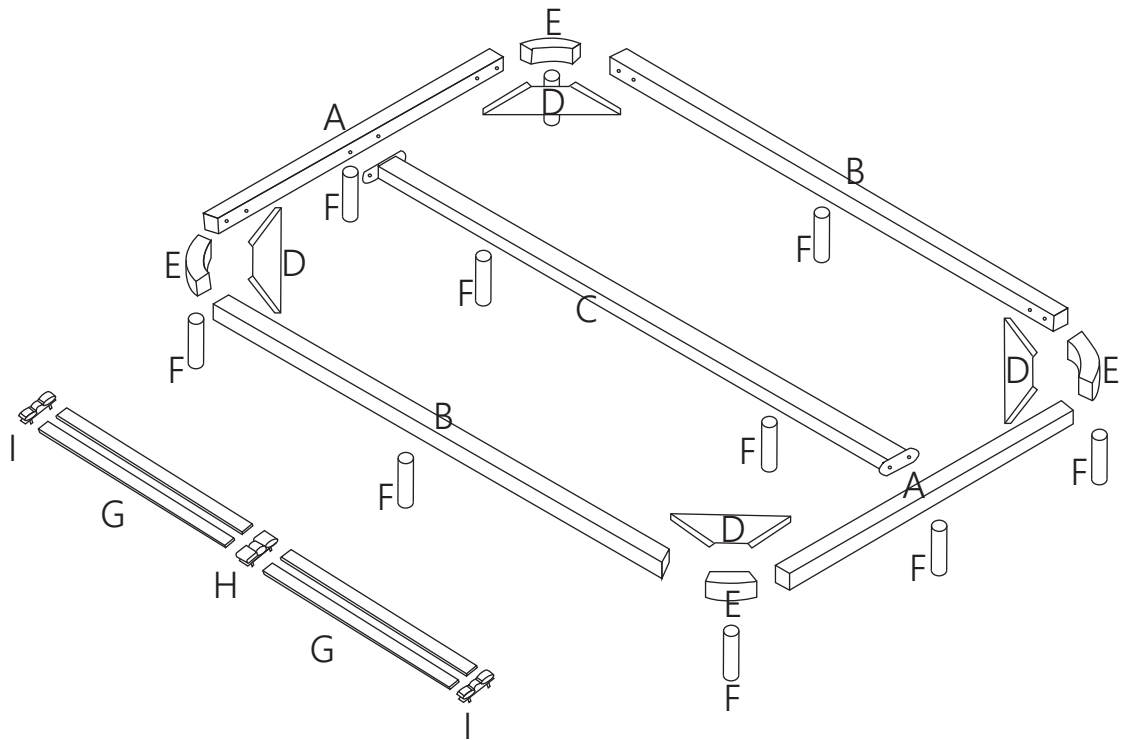


x 12

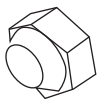
I



x 24

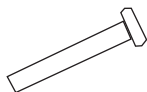


J



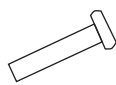
x 20

K



x 6

L



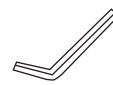
x 20

M



x 4

N



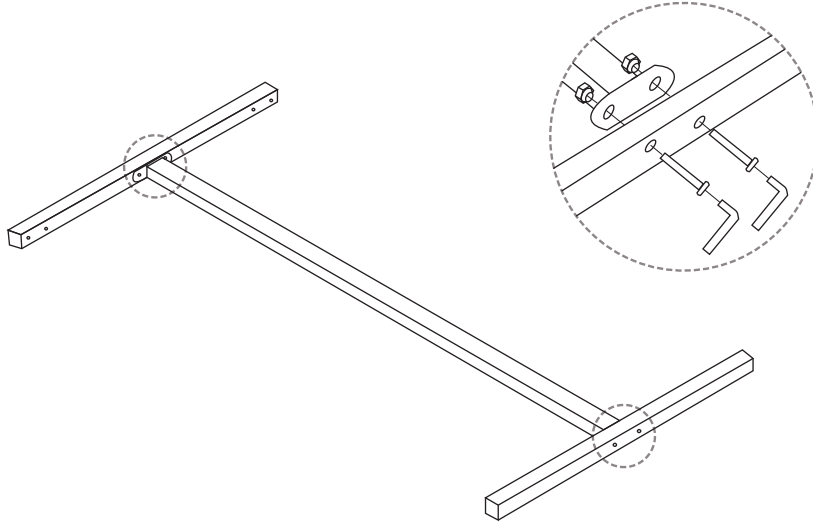
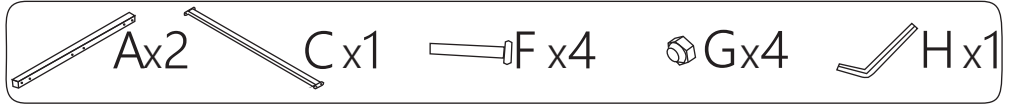
x 1

O

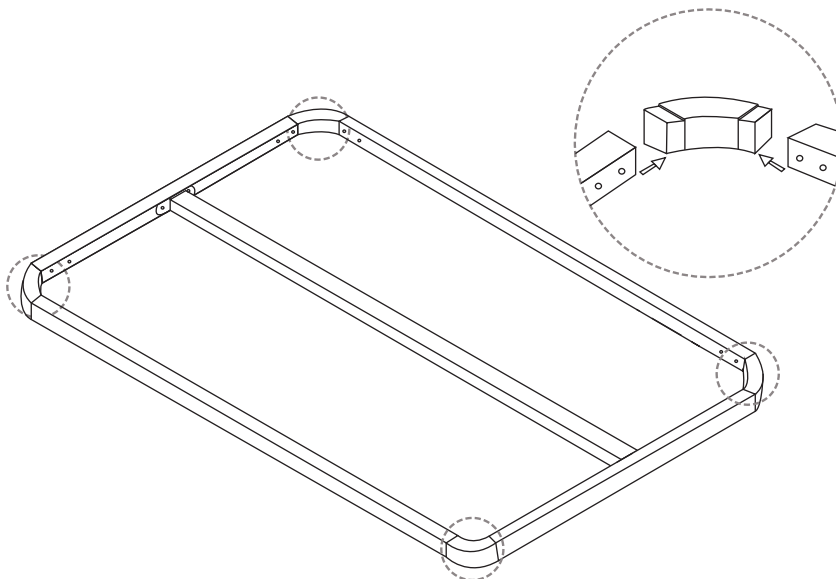


x 1

1



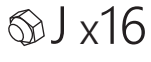
2



3



Dx4



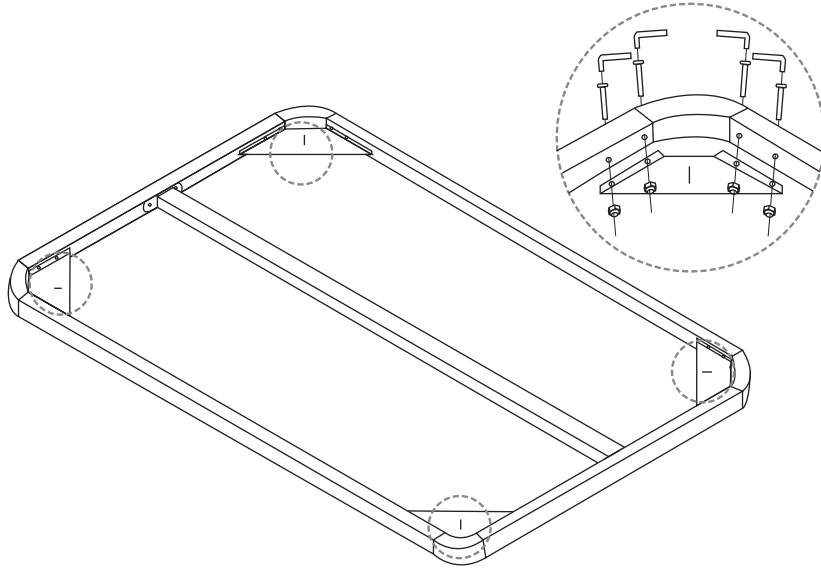
Jx16



Lx16



Nx1



4



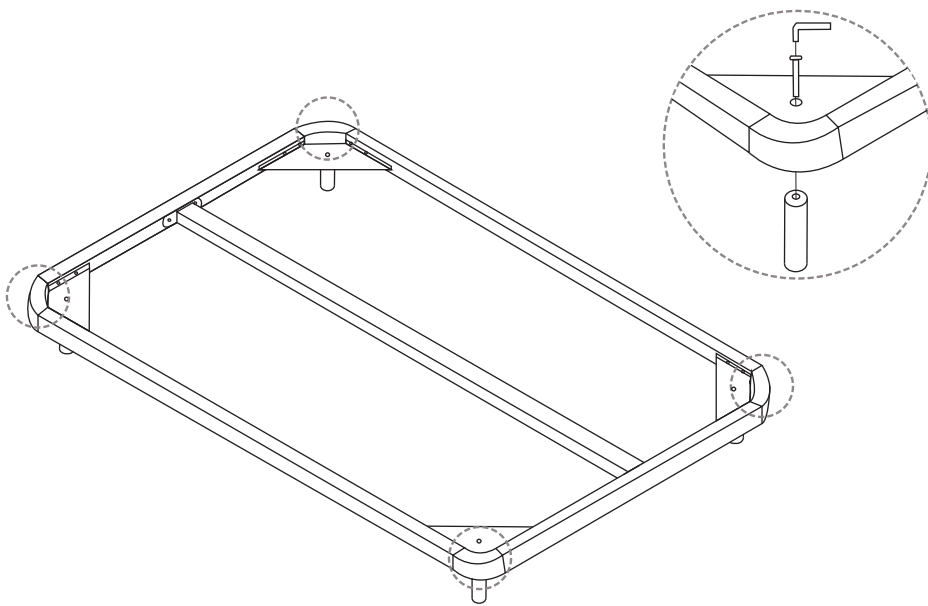
Fx4



Mx4



Nx1



5



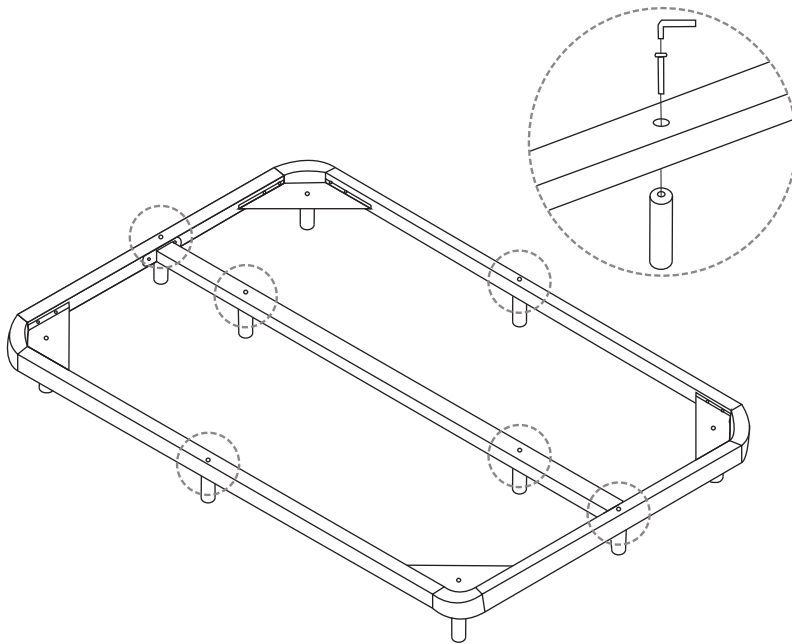
Fx6



Kx6



Nx1



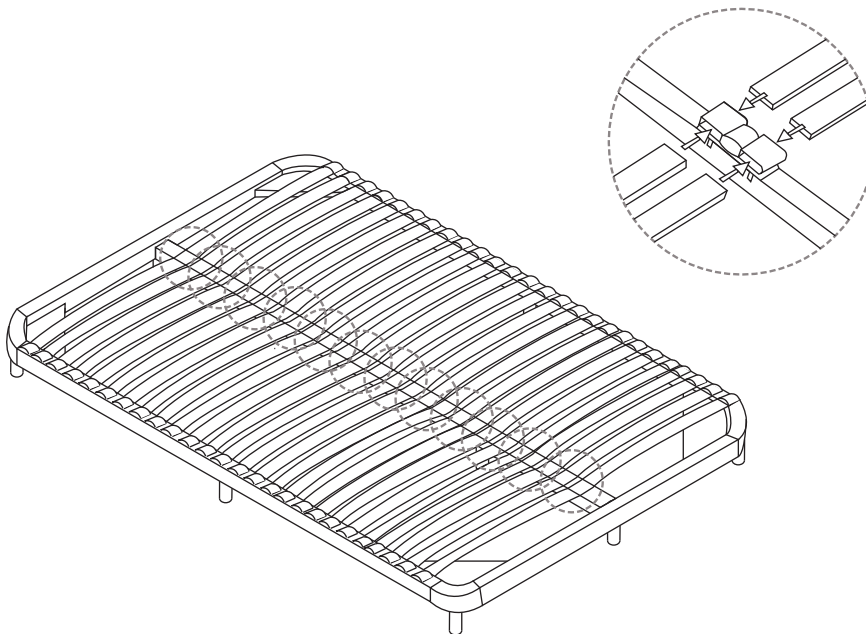
6



Gx48



Hx12



7

 1 x 24

