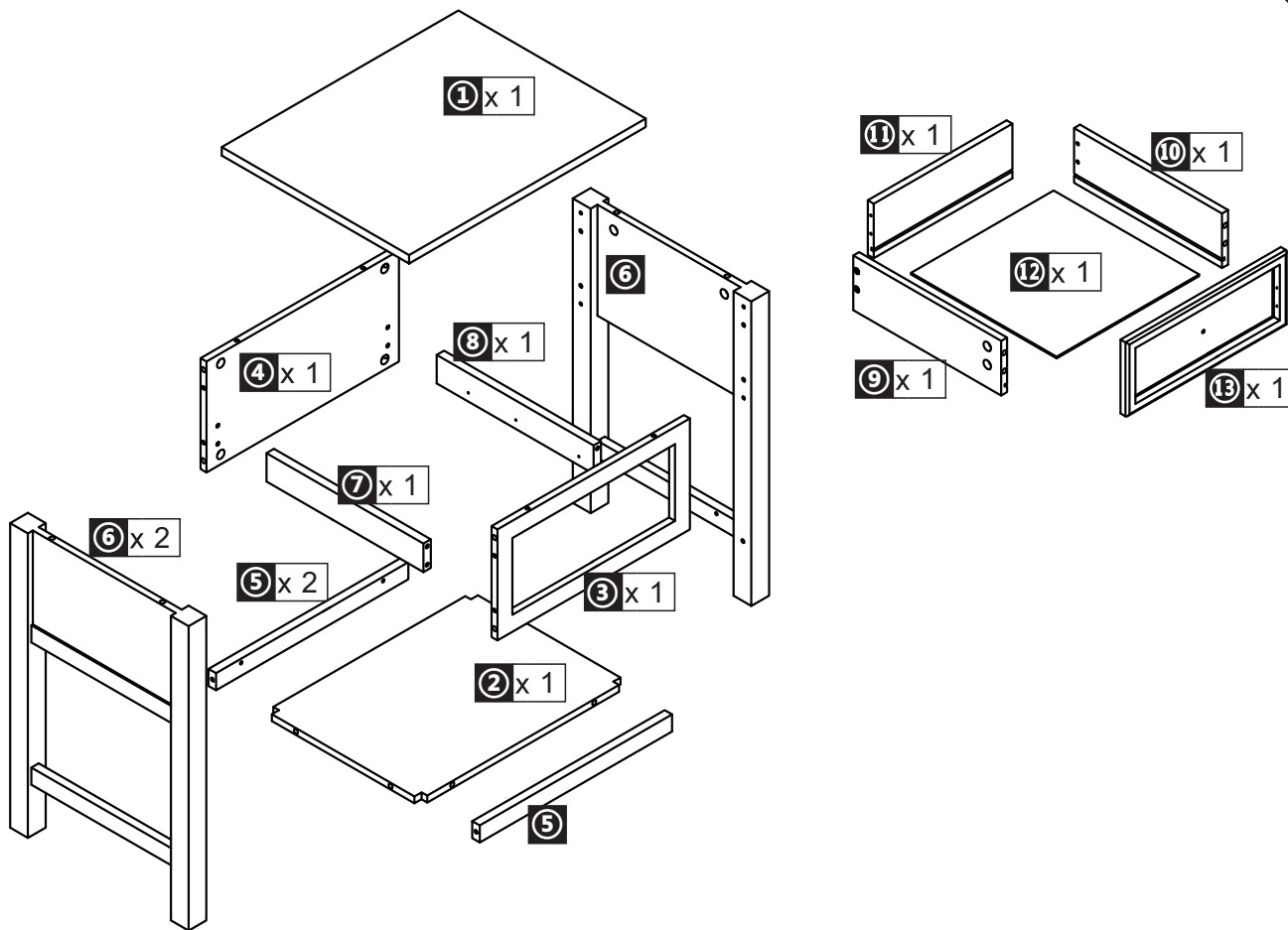
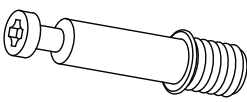
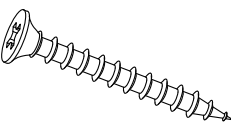
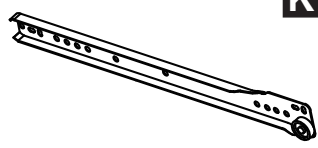
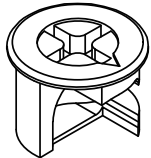
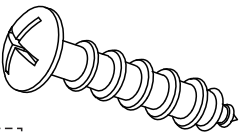
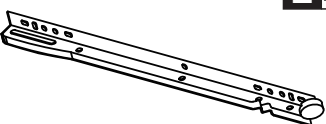
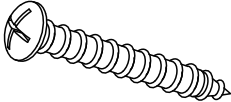

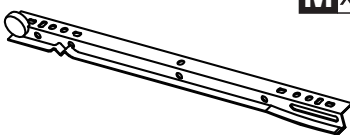
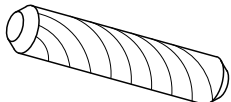
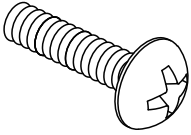

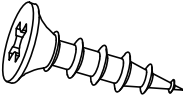
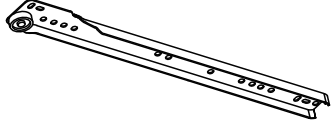
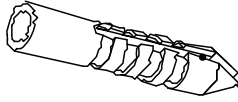
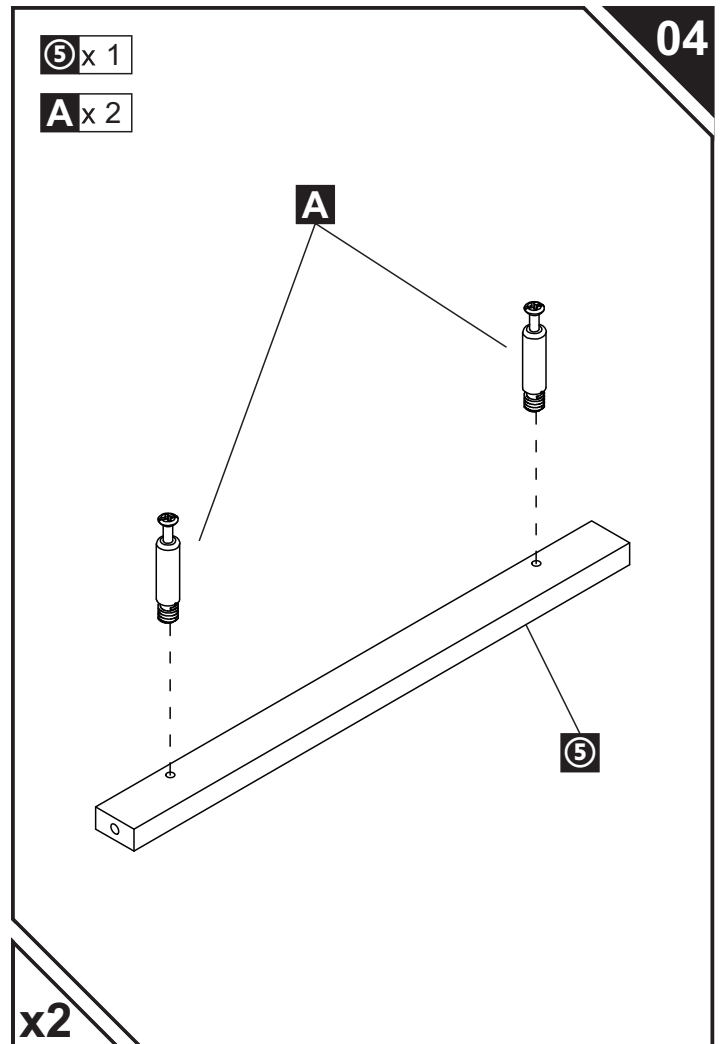
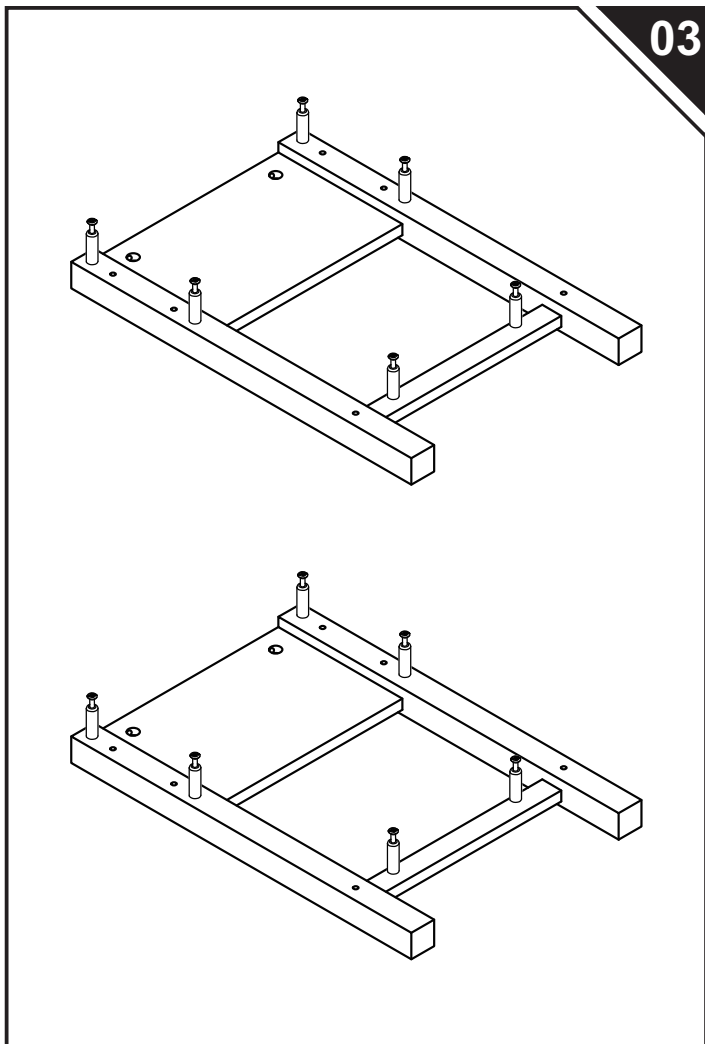
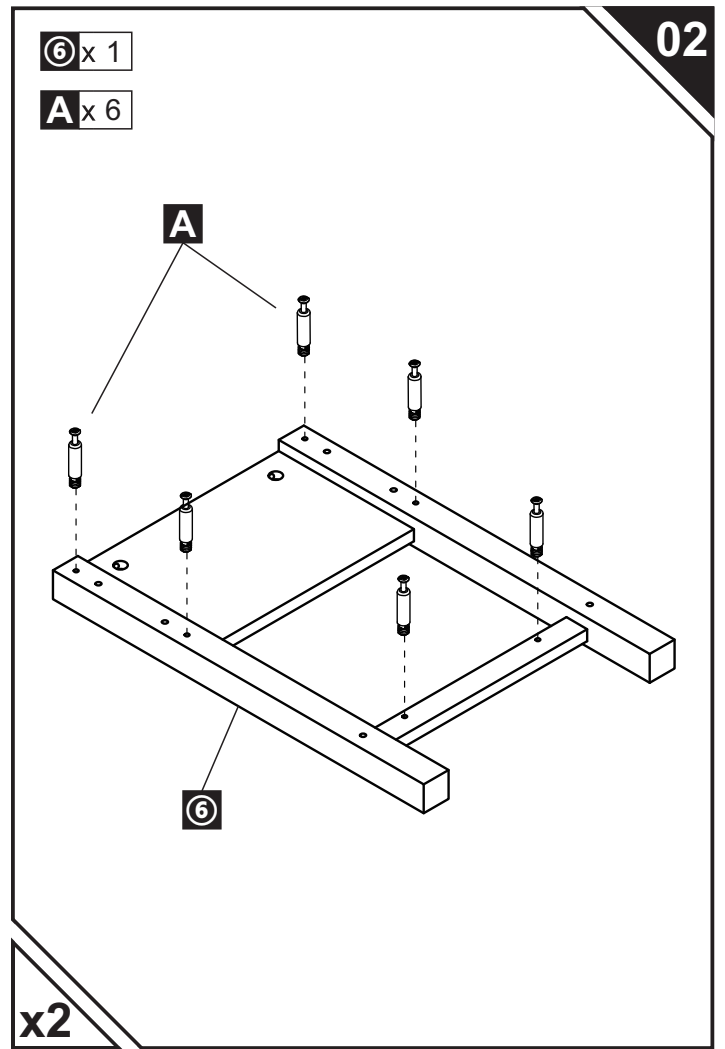
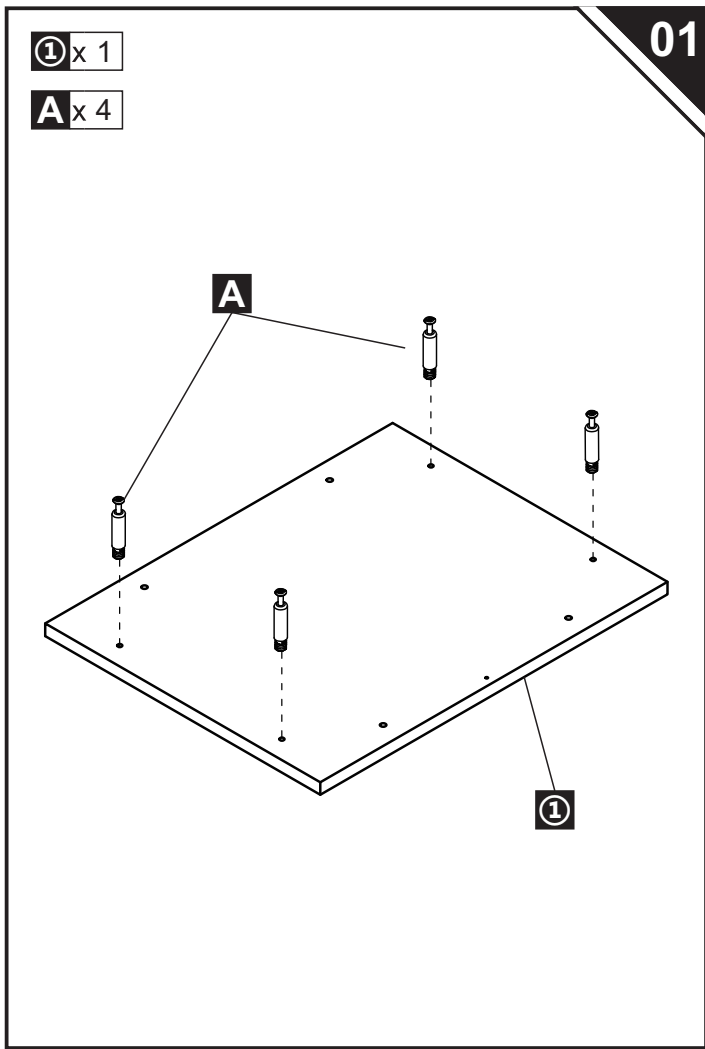


Tools Recommended

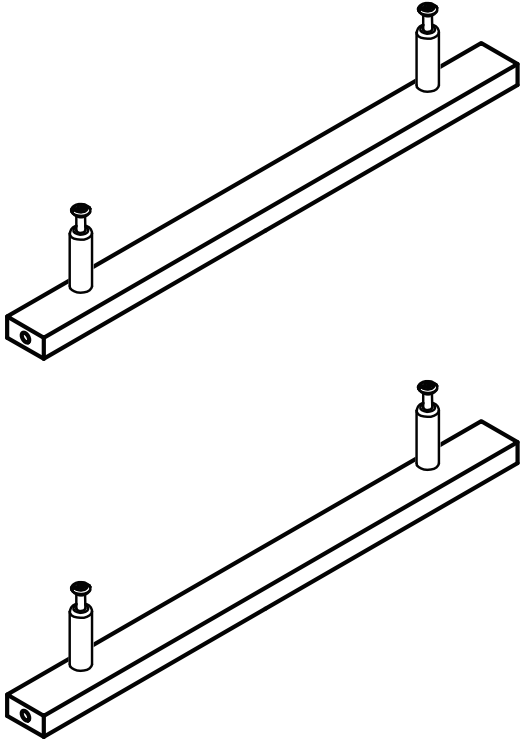
ASSEMBLY INSTRUCTION



 <p>A x24</p>	 <p>F x 4</p>	 <p>K x 1</p>
 <p>B x24</p>	<p>M3.5*30</p>  <p>G x 1</p>	 <p>L x 1</p>
 <p>C x 1</p>	<p>M3.5*12</p>  <p>H x 1</p>	 <p>M x 1</p>
<p>M4*35</p>  <p>D x24</p>	 <p>I x 1</p>	 <p>N x 1</p>
 <p>E x12</p>	<p>M4*14</p>  <p>J x 1</p>	 <p>O x 1</p>
<p>M3.5*12</p>		



05

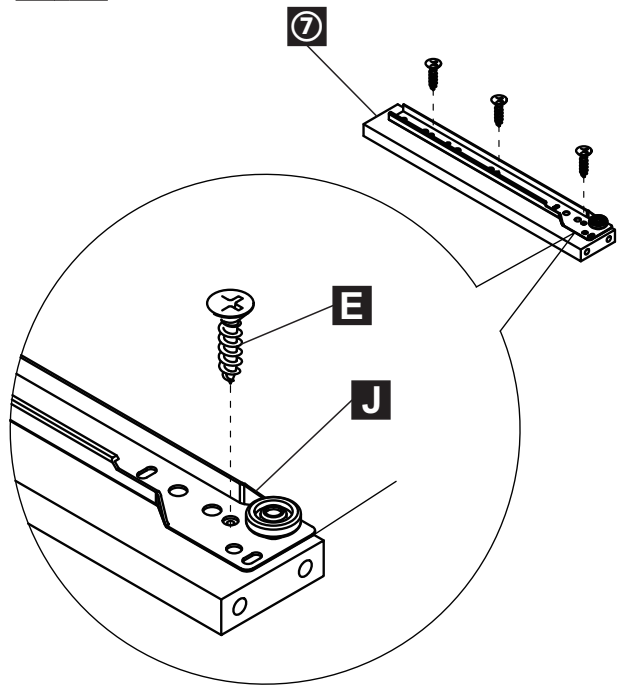


06

7 x 1

E x 3

J x 1

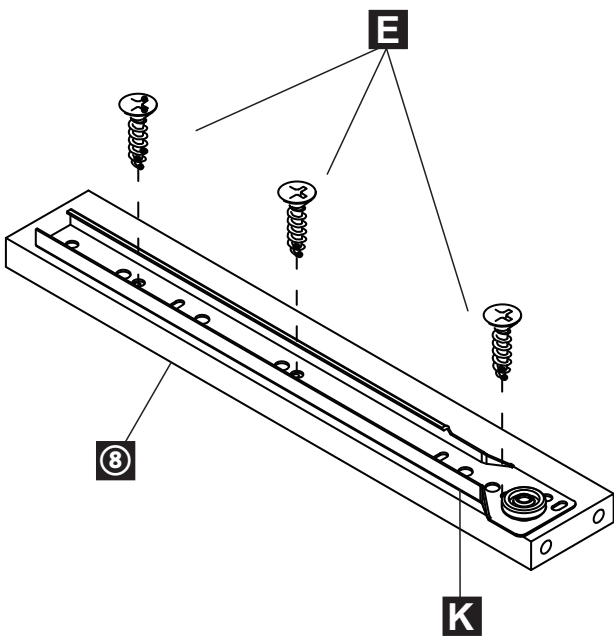


07

8 x 1

E x 3

K x 1



08

13 x 1

A x 4

