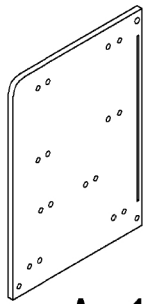
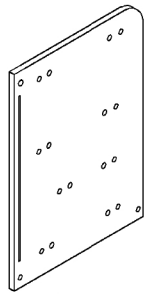


# Product Installation Instructions

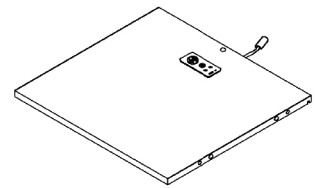




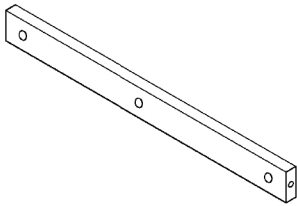
**Ax1**



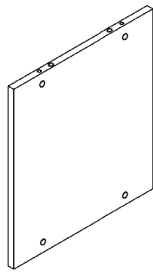
**A2x1**



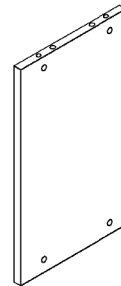
**Bx1**



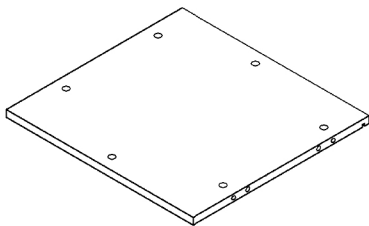
**B2x1**



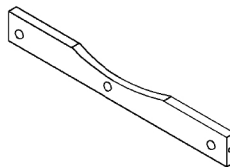
**Cx1**



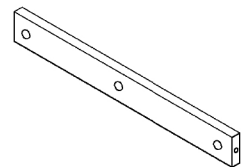
**Dx1**



**Ex1**



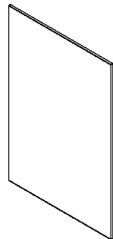
**Fx1**



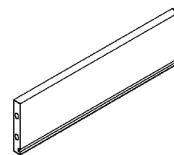
**Gx1**



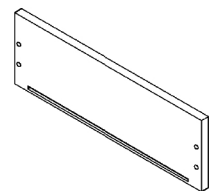
**Hx1**



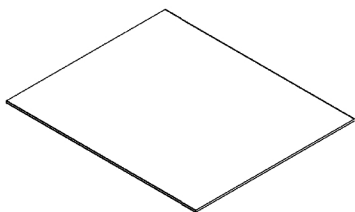
**H2x1**



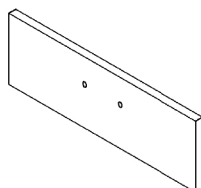
**Ix4**



**Jx2**

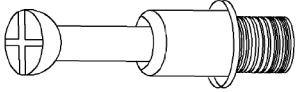
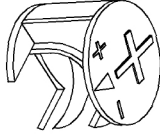
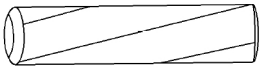
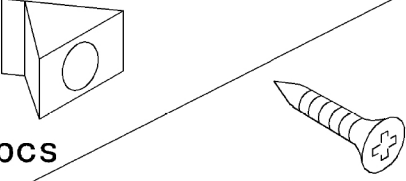
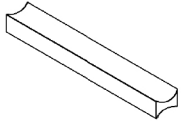

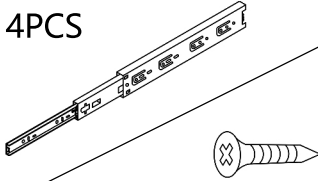
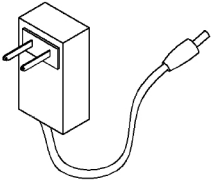
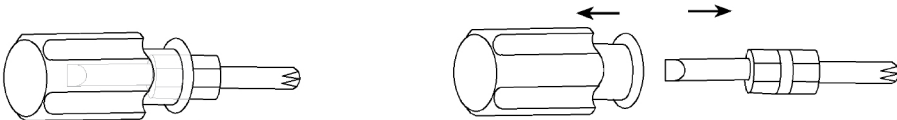


**Kx2**

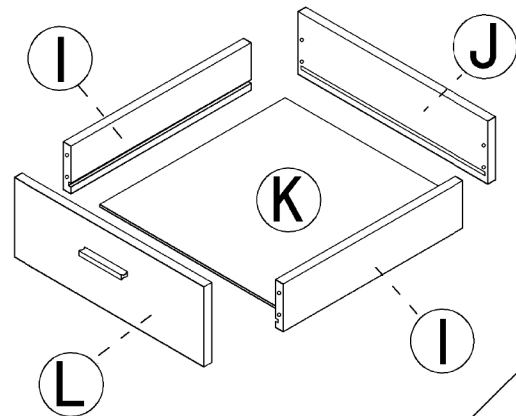
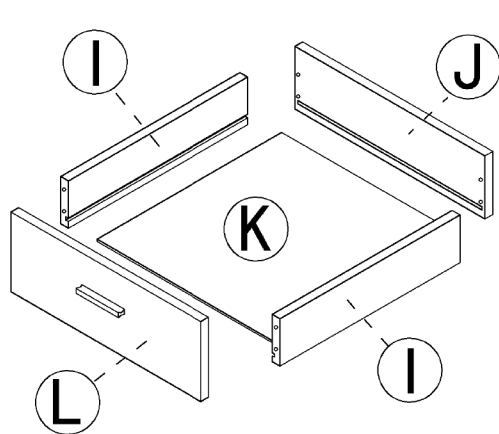
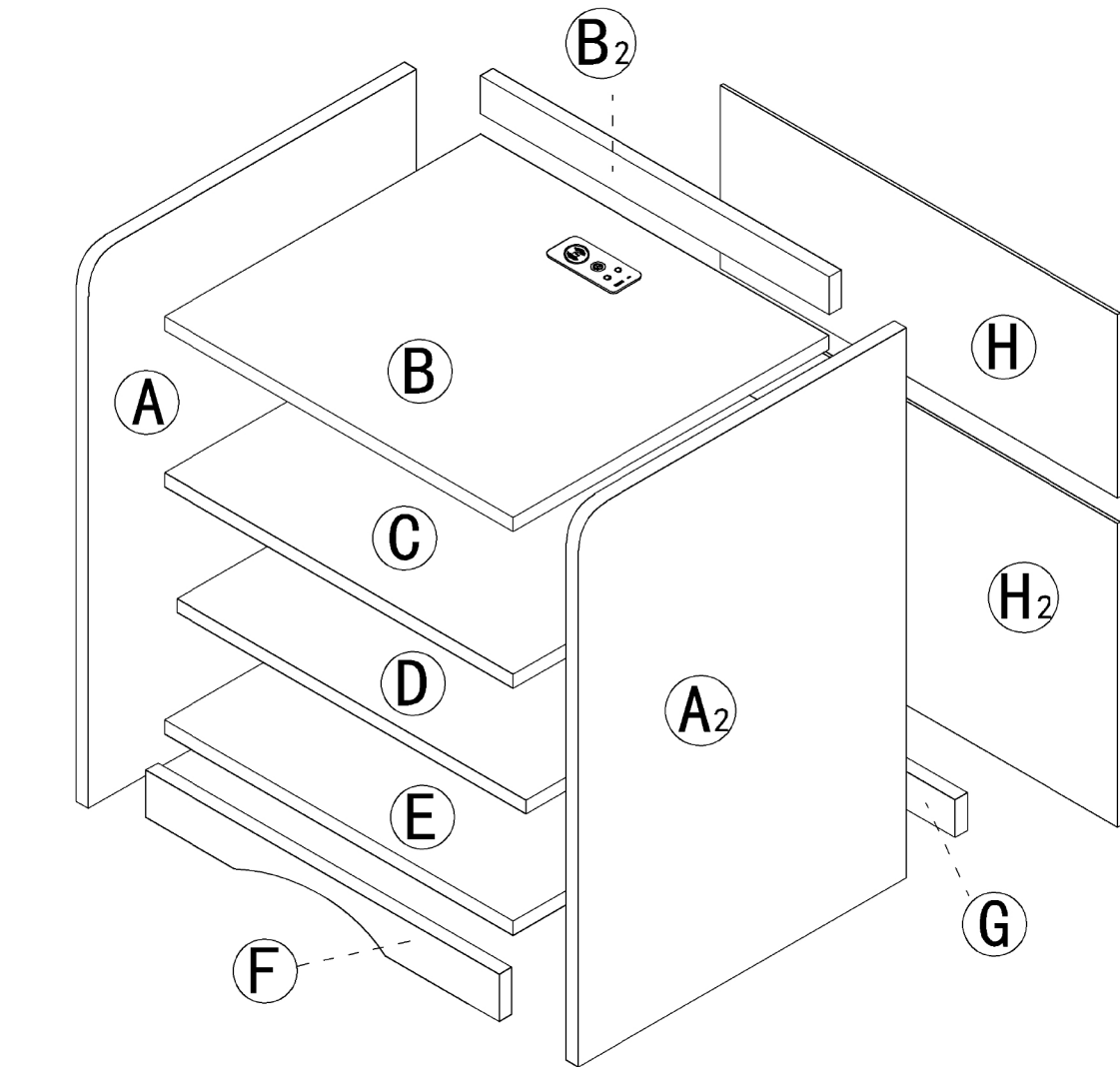


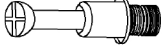
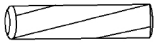



**Lx2**

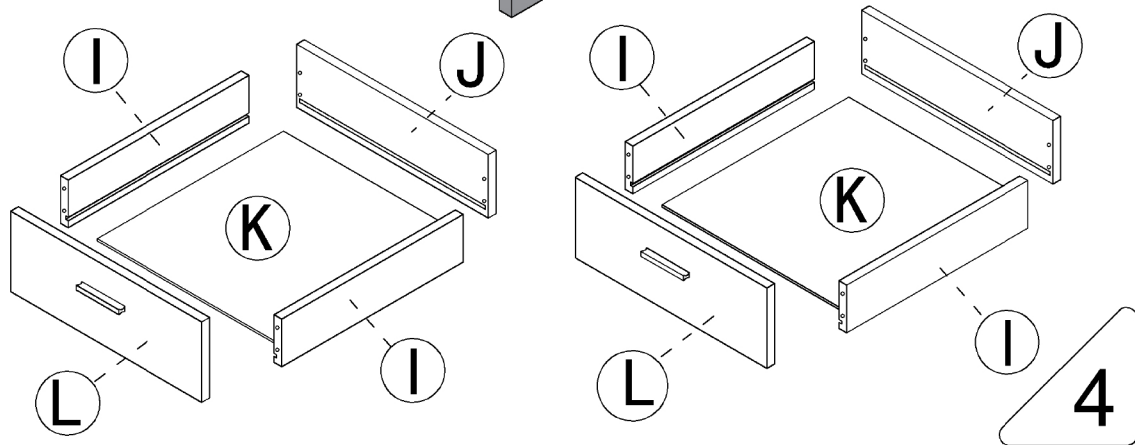
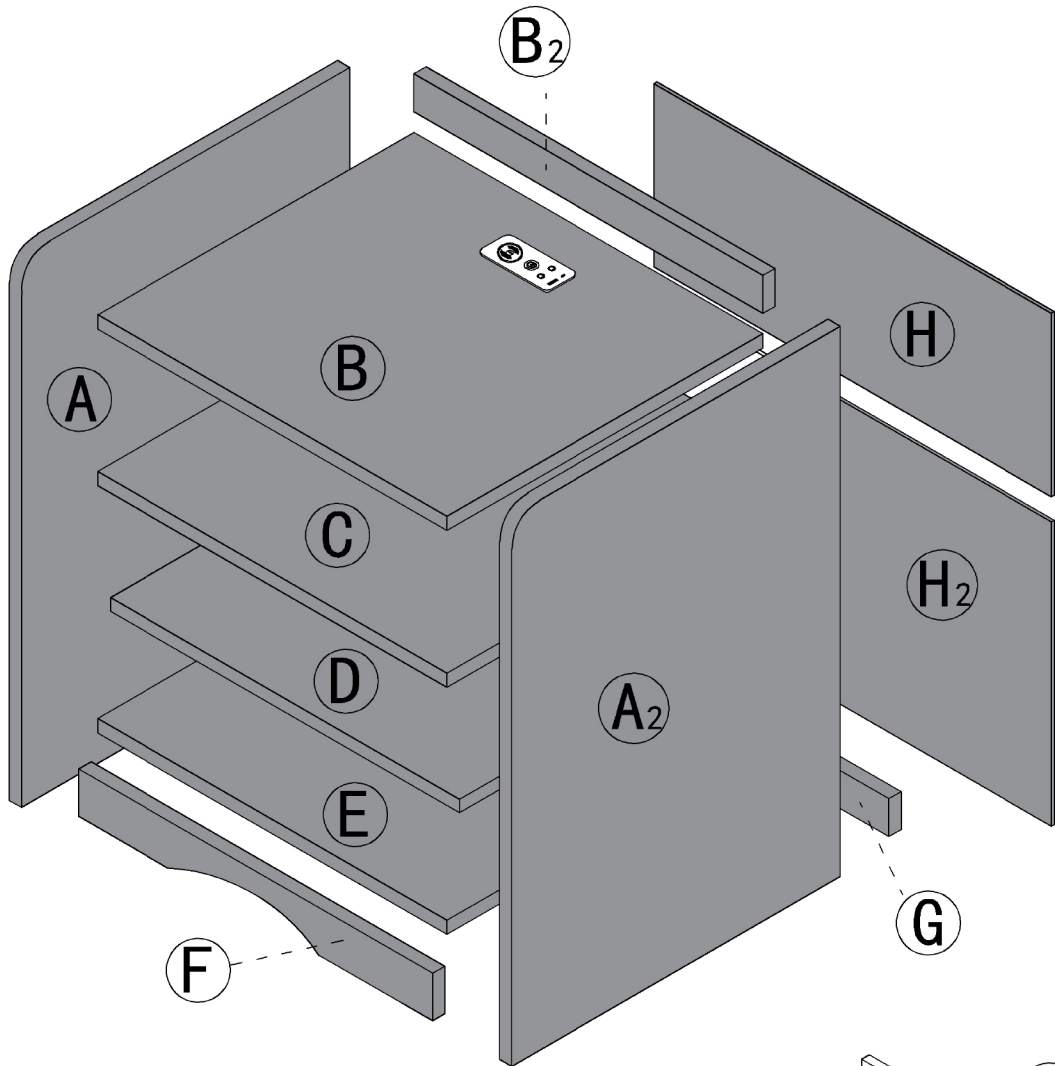


<p>①</p>		<p>45pcs</p>	<p>②</p>		<p>45pcs</p>
<p>Two in one screw(6x28mm)</p>			<p>Two in one nut(10x12mm)</p>		
<p>③</p>		<p>18pcs</p>	<p>④</p>		<p>5pcs 5pcs</p>
<p>Wood chipping(6x30mm)</p>			<p>Back plate buckle &amp; Screw(3x16mm)</p>		
<p>⑤</p>			<p>⑥</p>		<p>4PCS 22PCS</p>
<p>Handle &amp; screw(4x16mm)</p>			<p>Screw &amp; Guide(3x12mm) 29cm</p>		
				<p>1pcs</p>	
<p>AC/DC Adapter (12V=3A)</p>					
 <p>1pcs      Double-head screwdriver, use as required</p> <div style="float: right; border: 1px solid black; padding: 5px; width: 40px; text-align: center; margin-left: auto;"> <p>2</p> </div>					

# Product structure decomposition

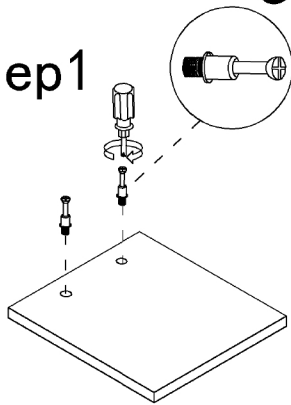


①		25pcs	③		16pcs
②		25pcs	④	 4pcs	 4pcs

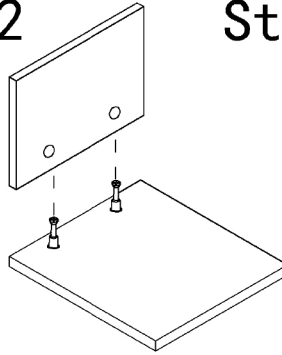


# Use parts ① and ②

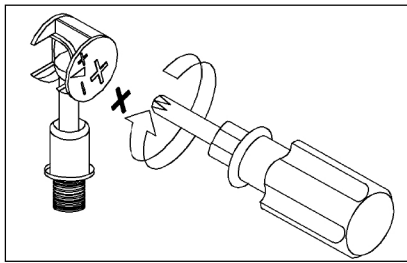
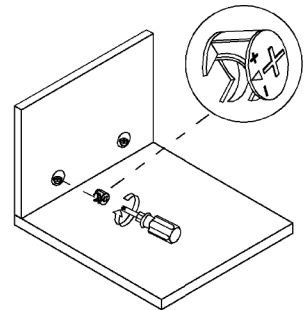
Step1



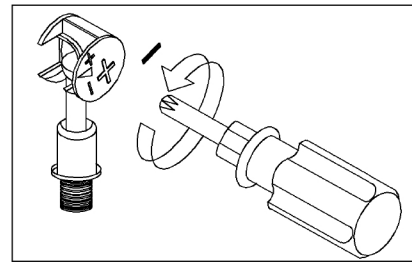
Step2



Step3



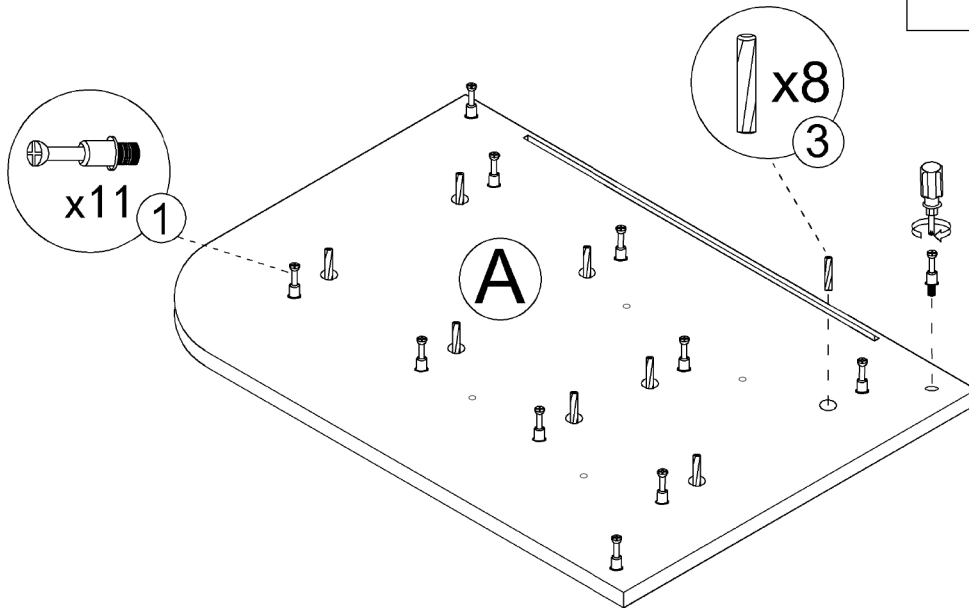
Use a screwdriver to lock in the direction of the "+" sign



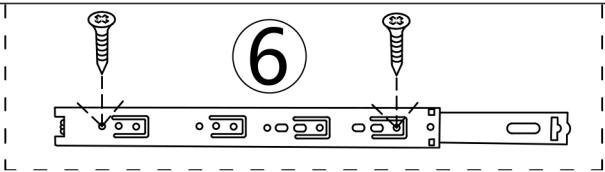
Disassemble along the direction of "-" sign

Step 1

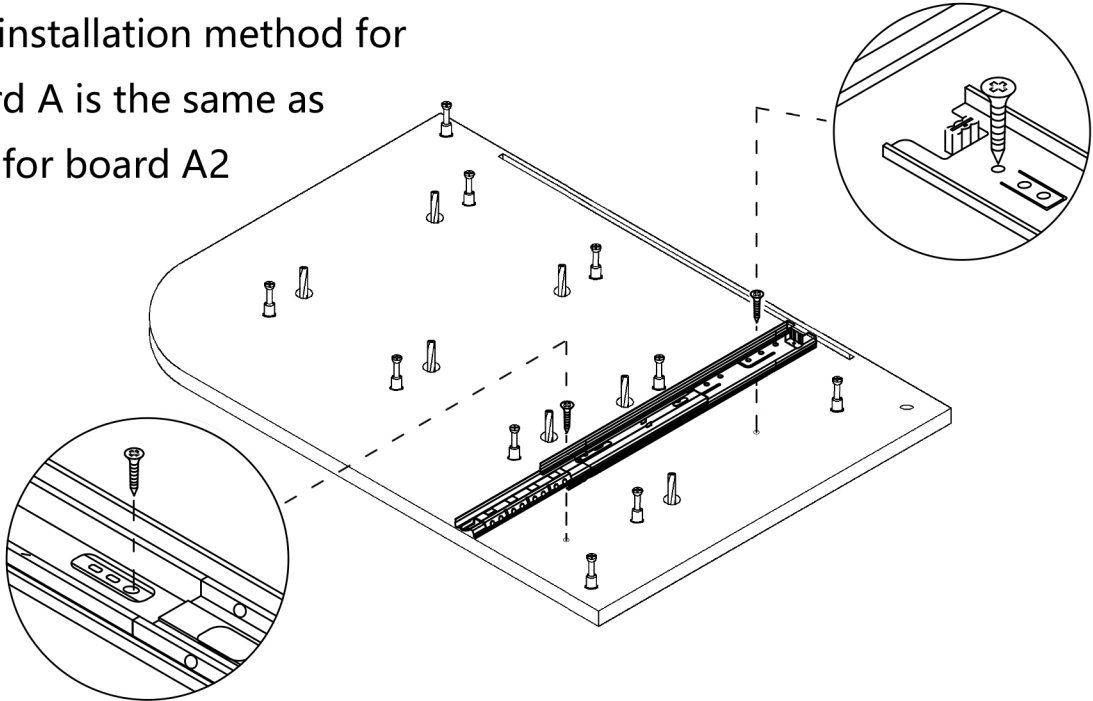
- ① x11
- ③ x8



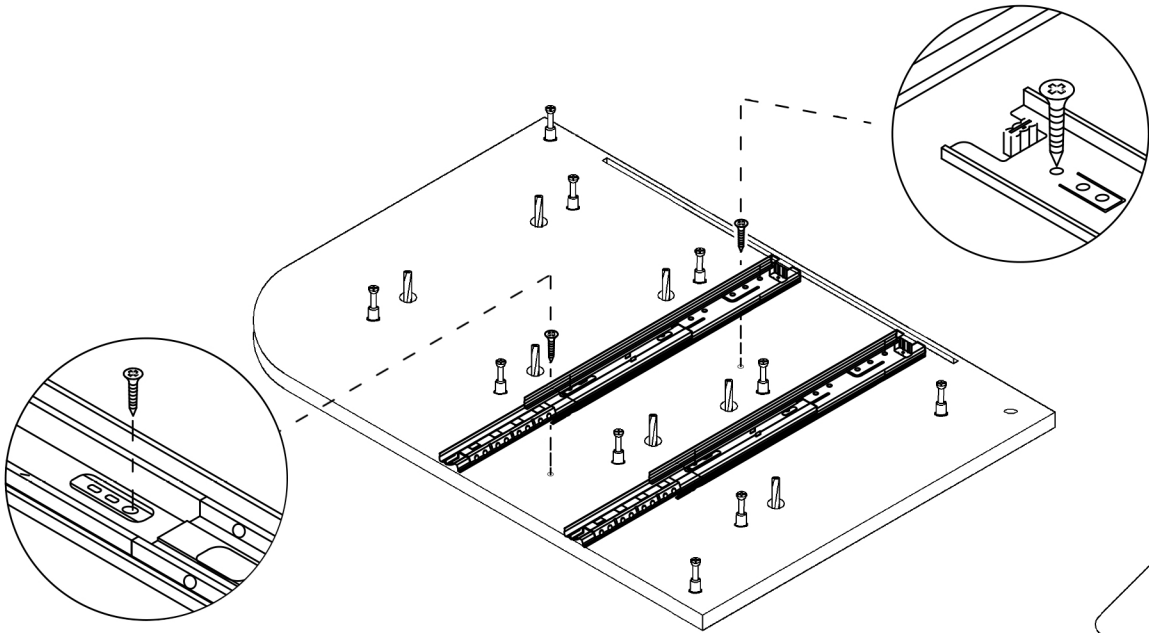
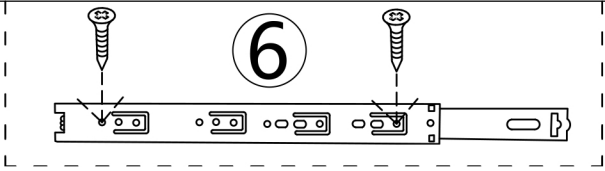
Step 2



The installation method for board A is the same as that for board A2



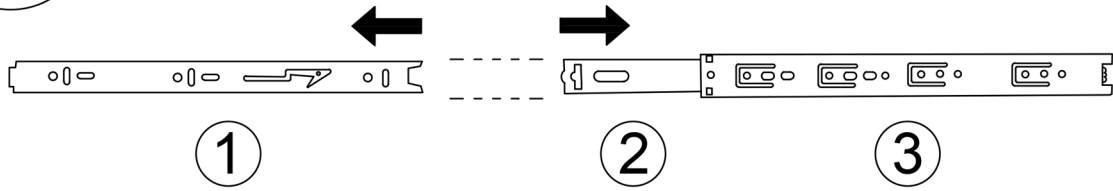
Step 3



6

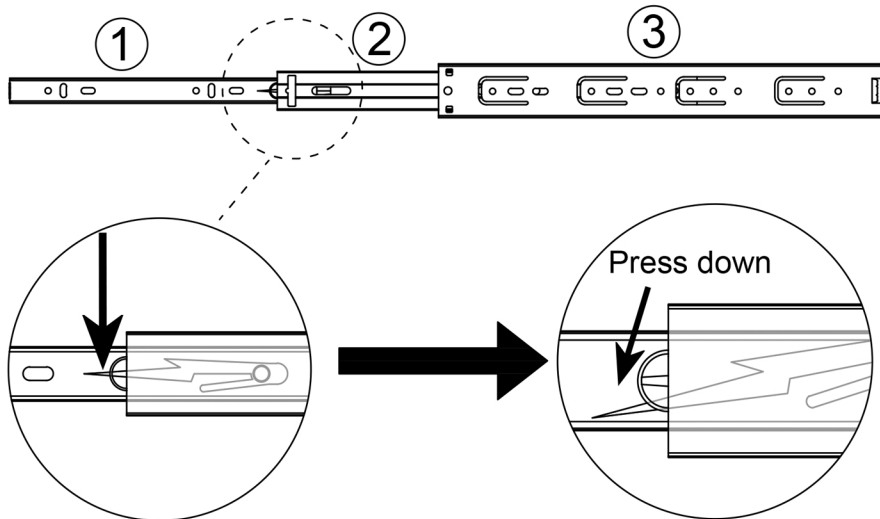
6

Drawer rail breakdown diagram



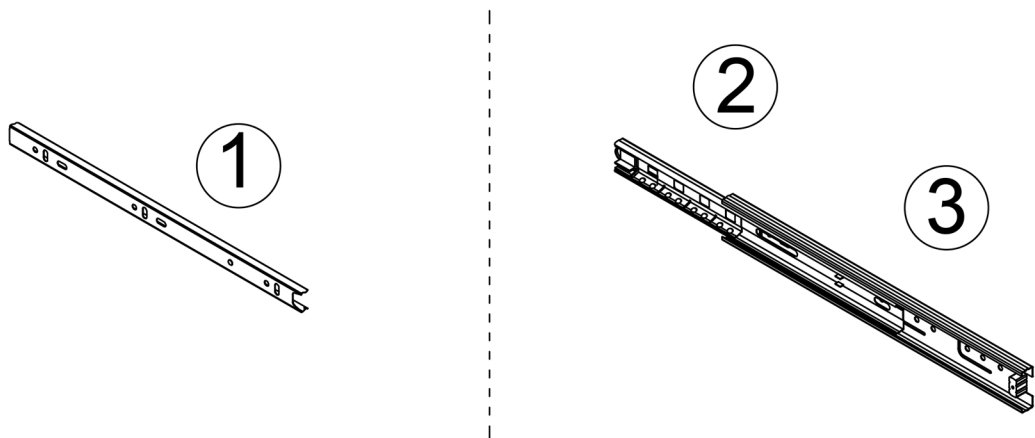
① Dismantle the schematic diagram

Step 1 : Pull the rails apart

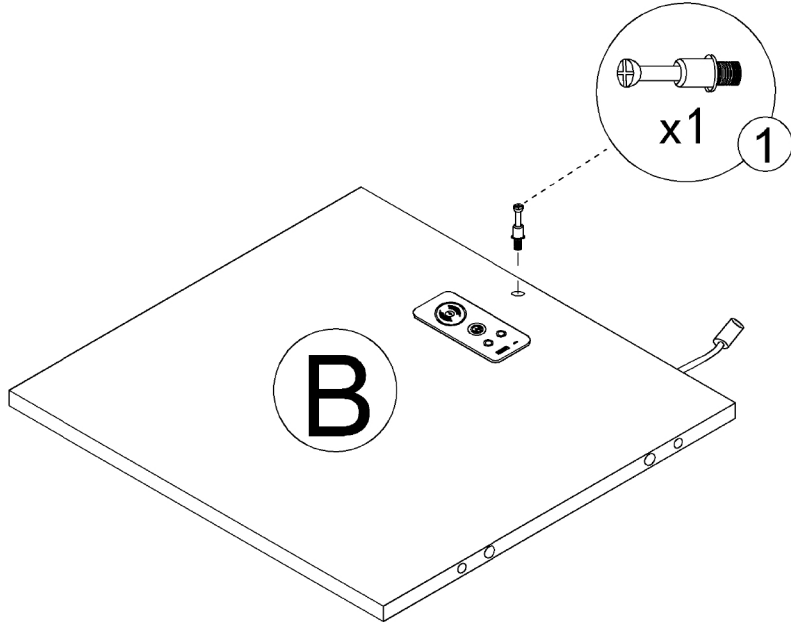
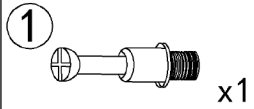


Step 2 : Press the nylon button and pull out ①.

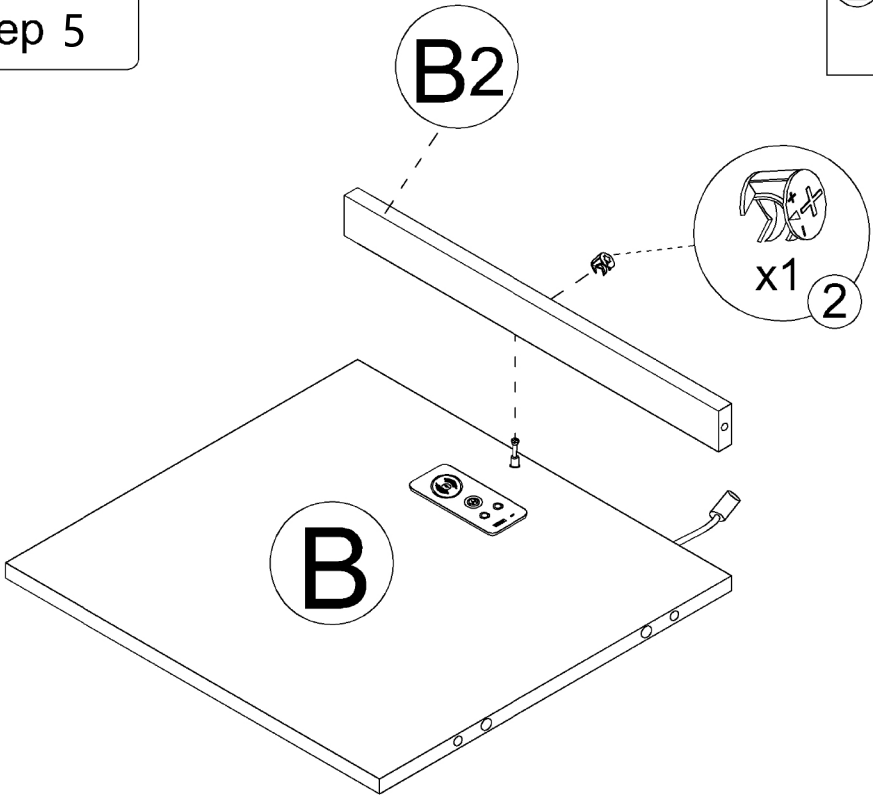
Drawer rail decomposition completed schematic diagram



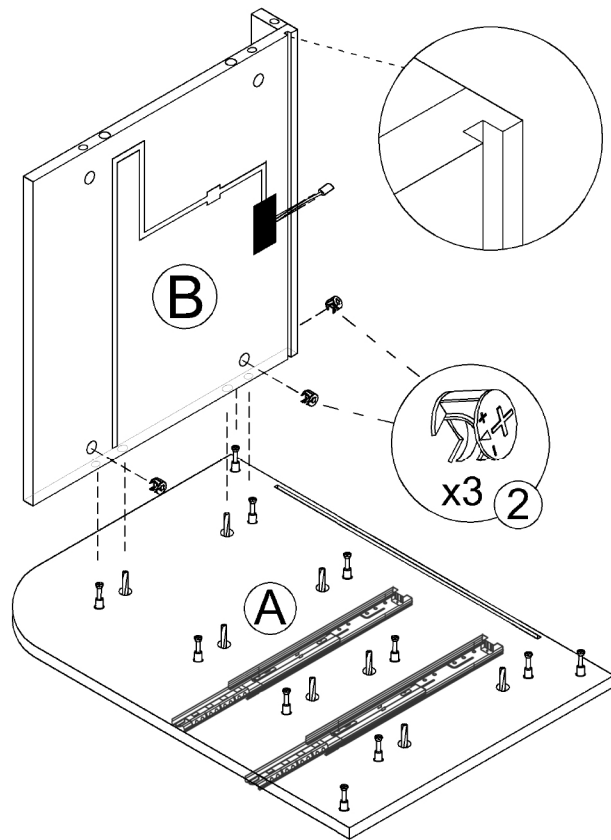
Step 4



Step 5



Step 6

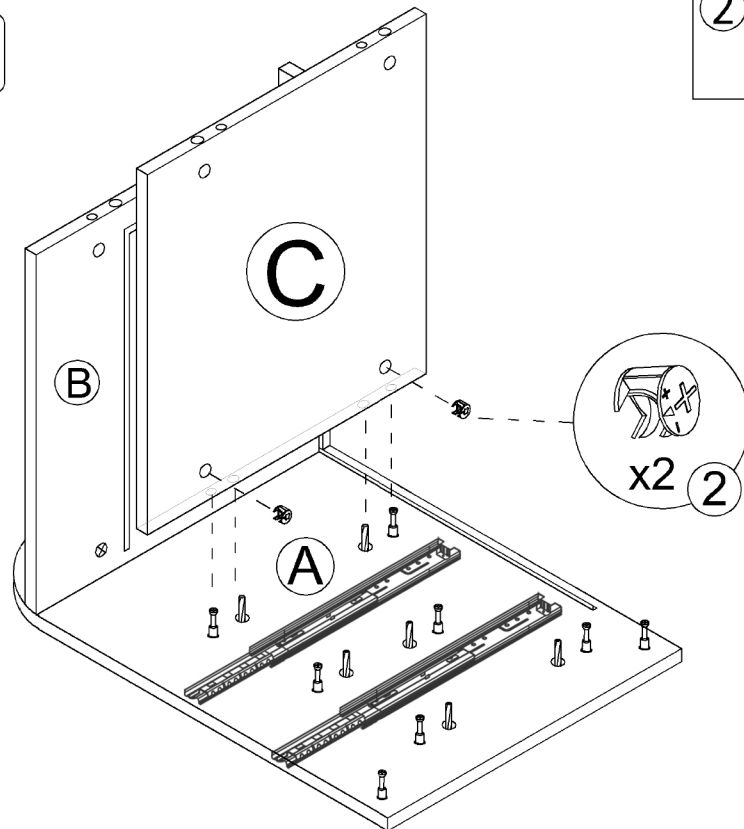


2



x3

Step 7



2



x2

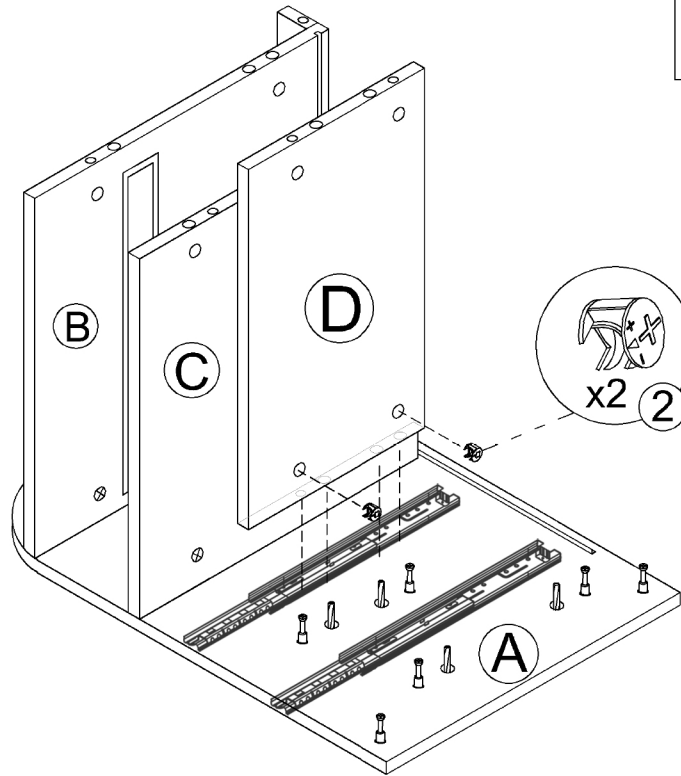
8

Step 8

2

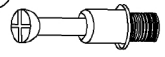


x2

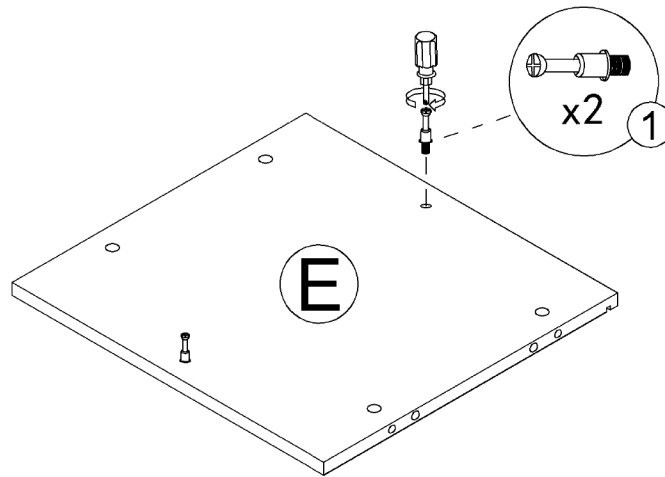


Step 9

1

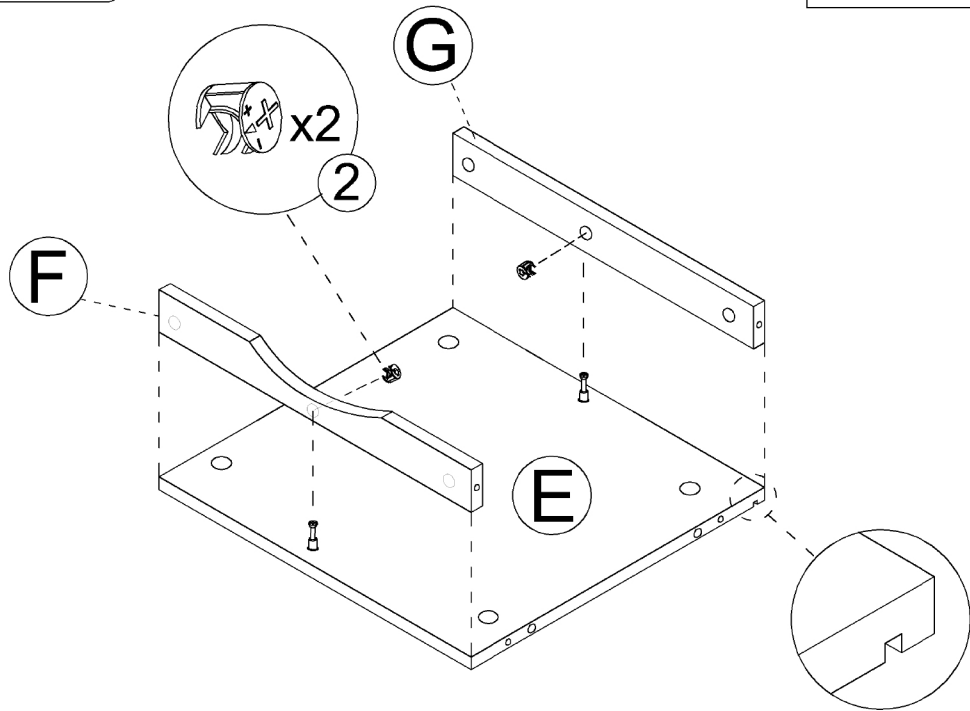


x2

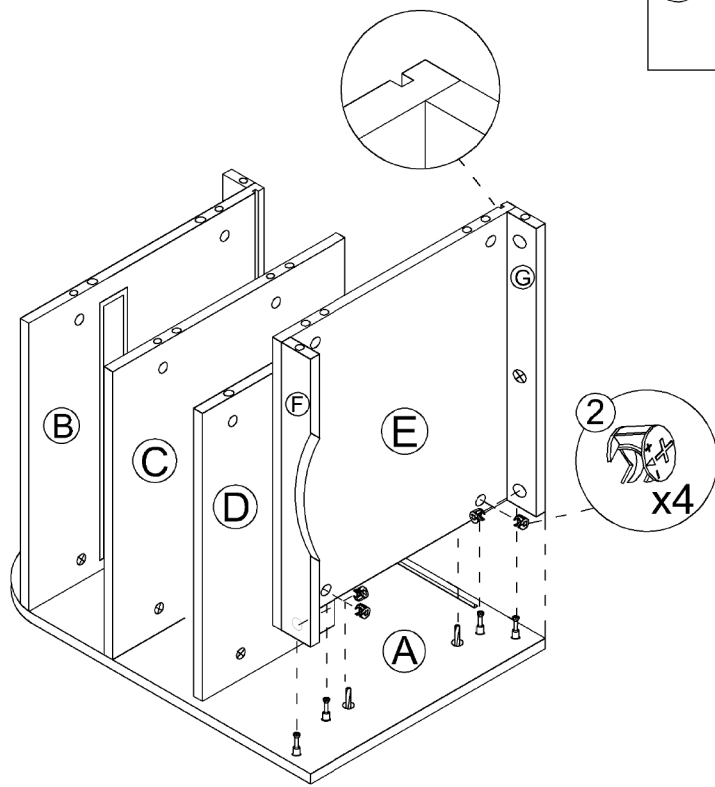


9

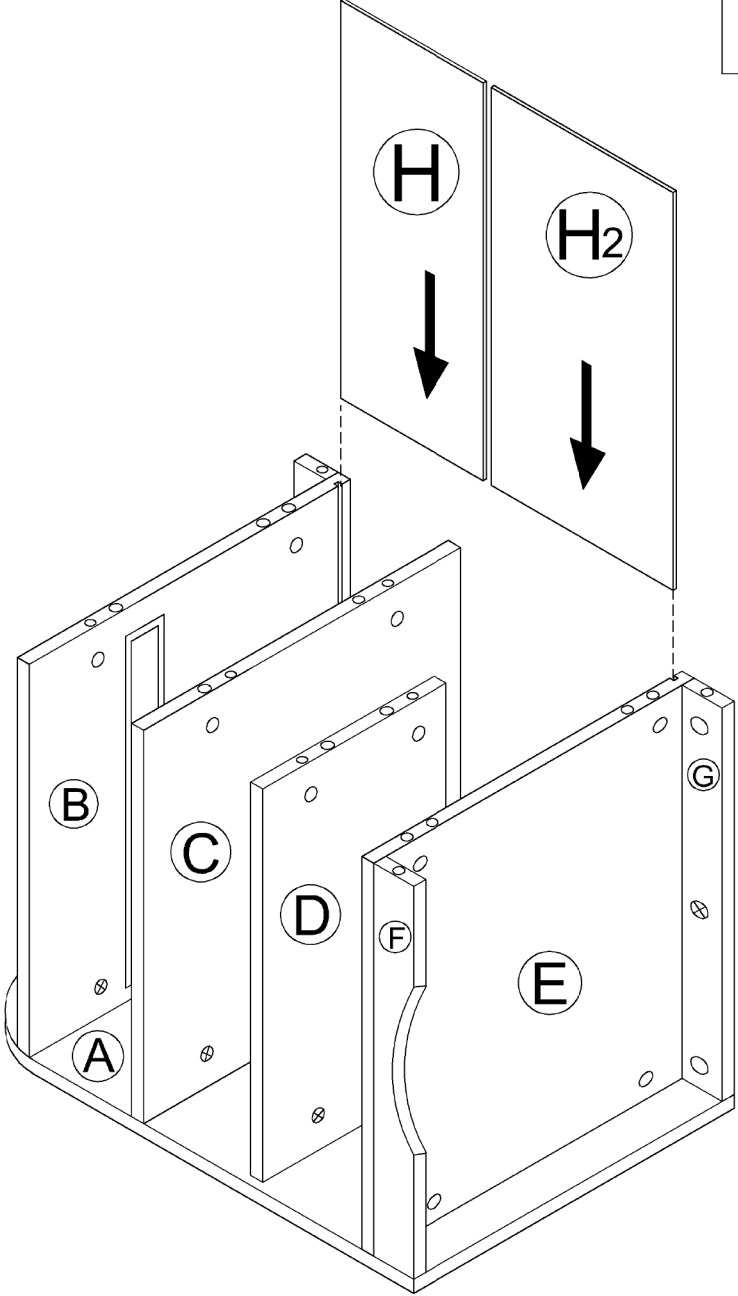
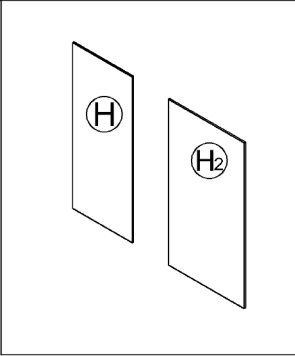
Step 10



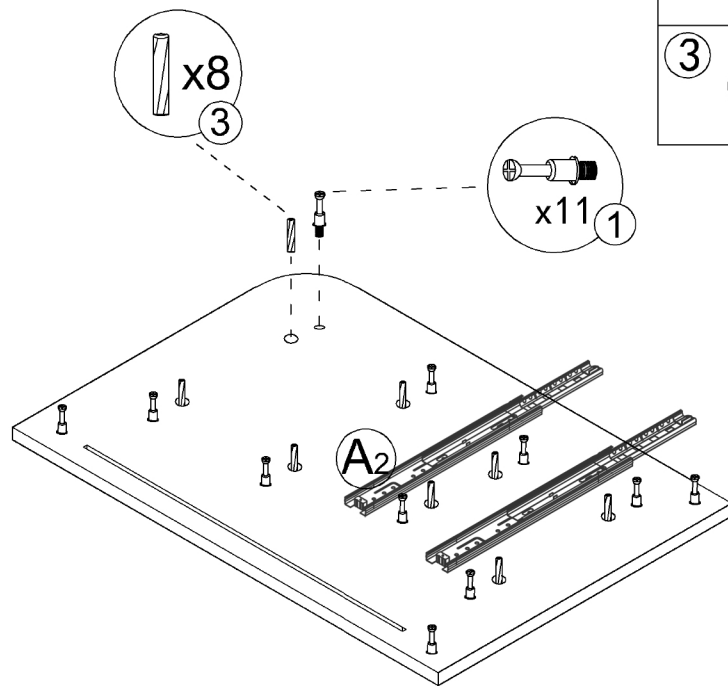
Step 11

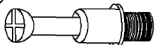
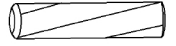


Step 12

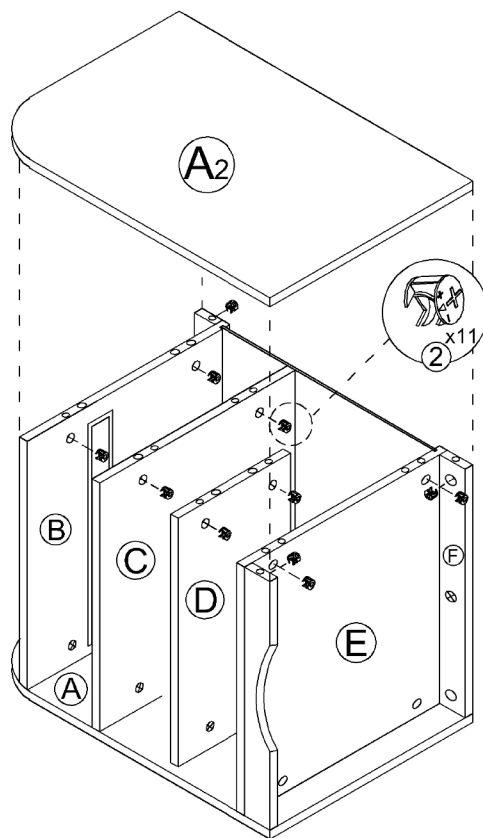


Step 13



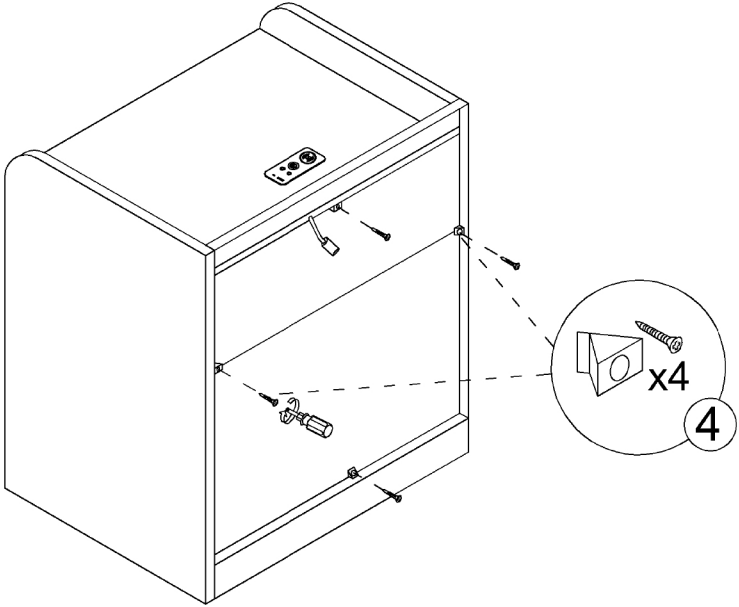
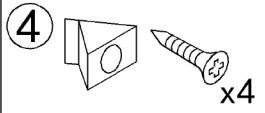
- 1  x11
- 3  x8

Step 14

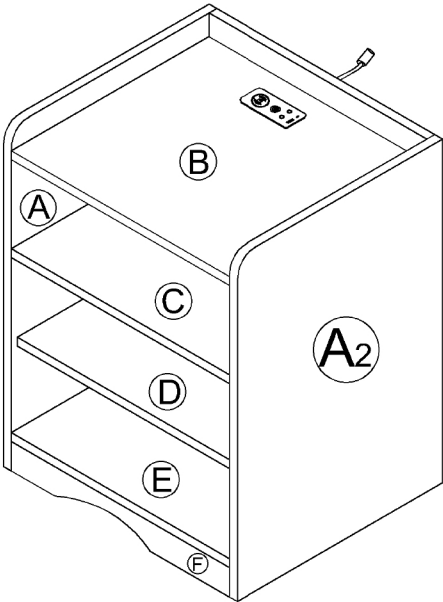


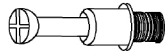


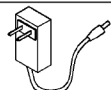

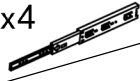
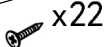
- 2  x11

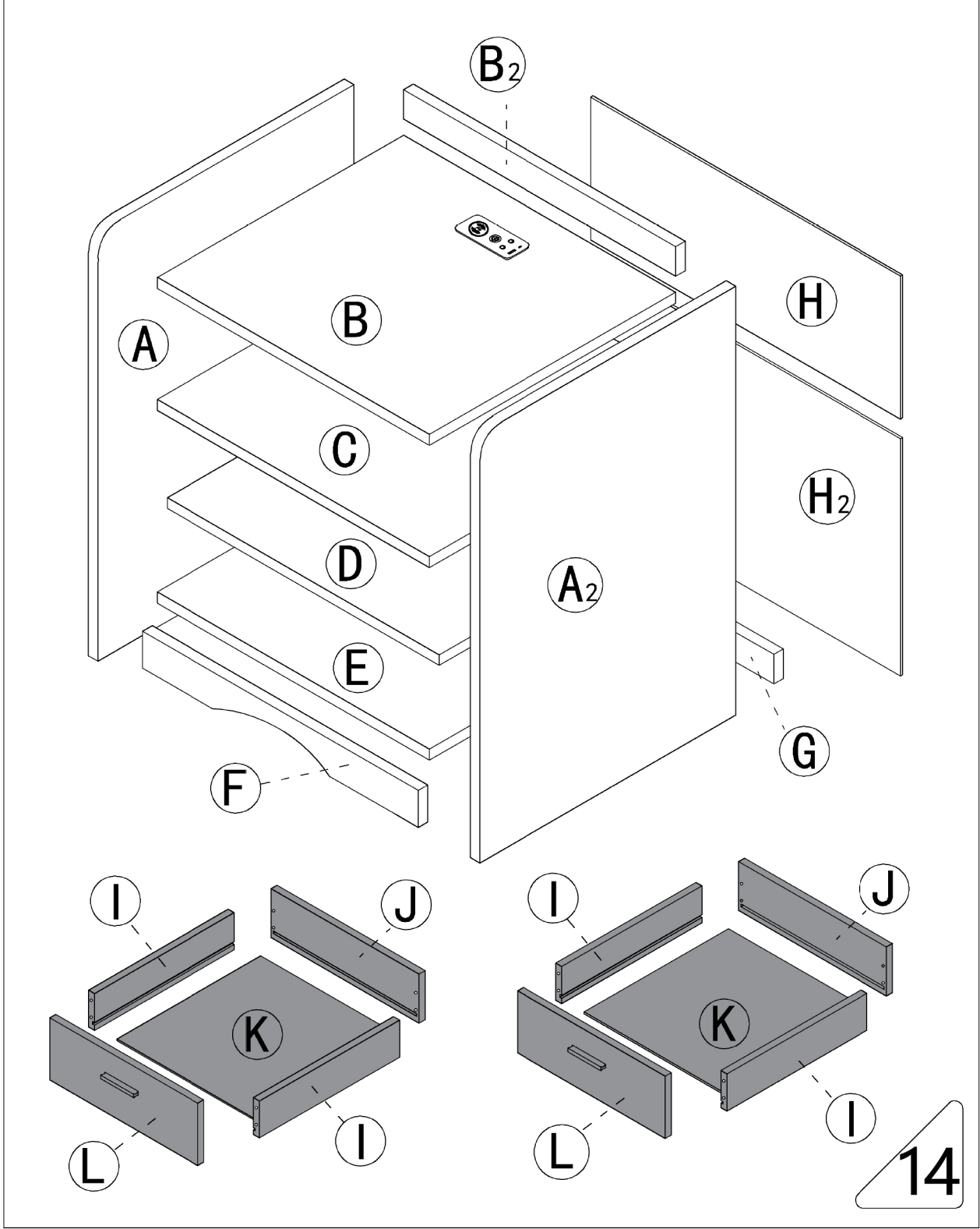
Step 15



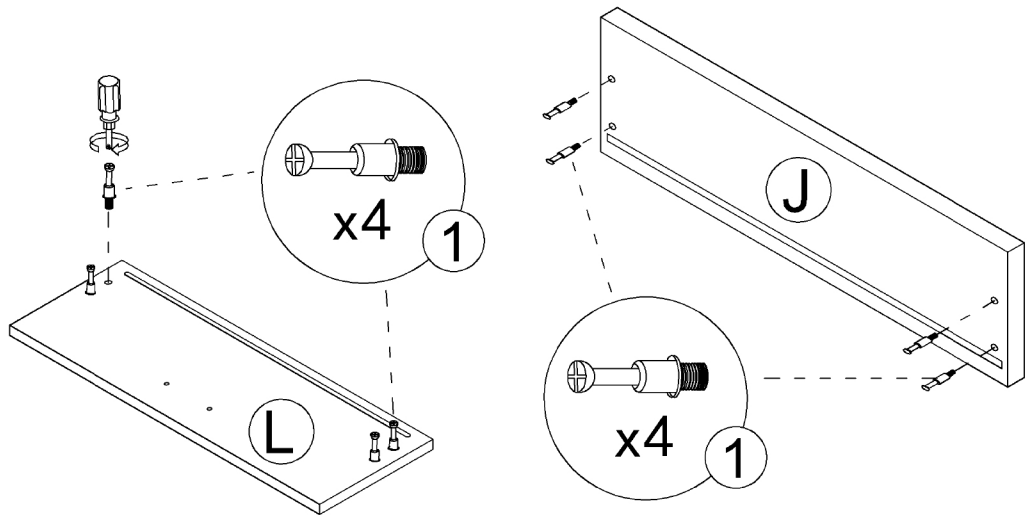
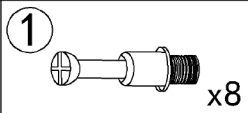
Cabinet assembly completed



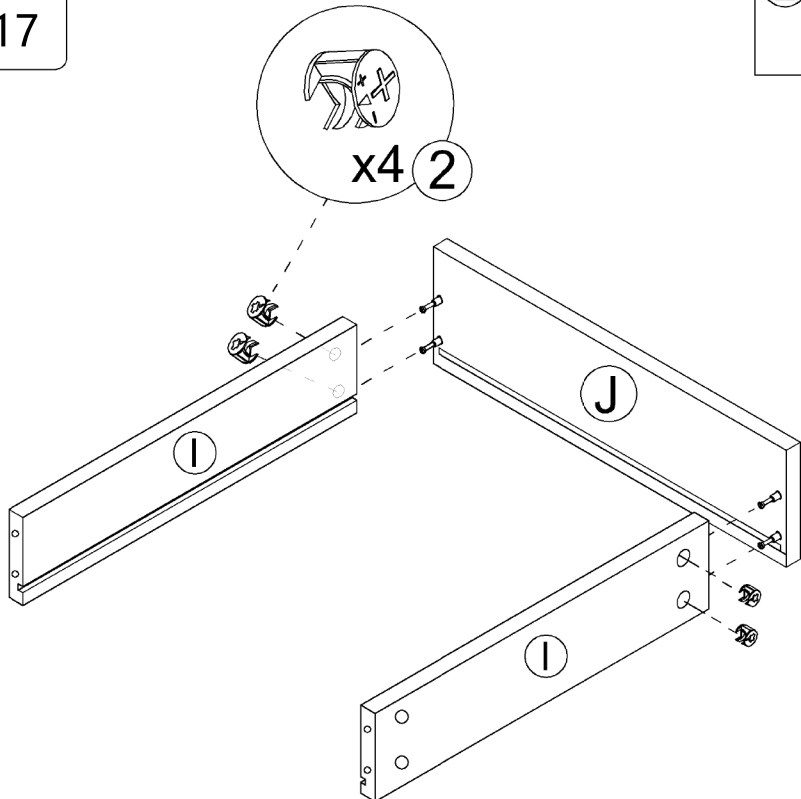
①		16pcs	⑤	x2 	x4 		1pcs
②		16pcs	⑥	x4 	x22 		



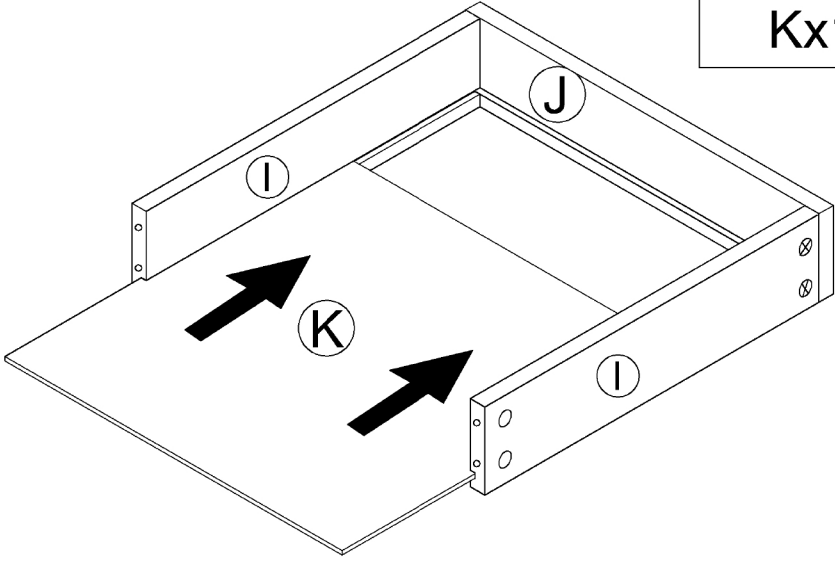
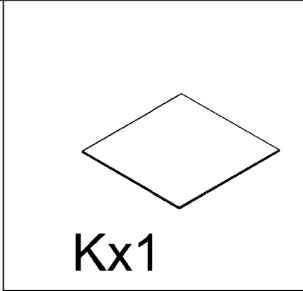
Step 16



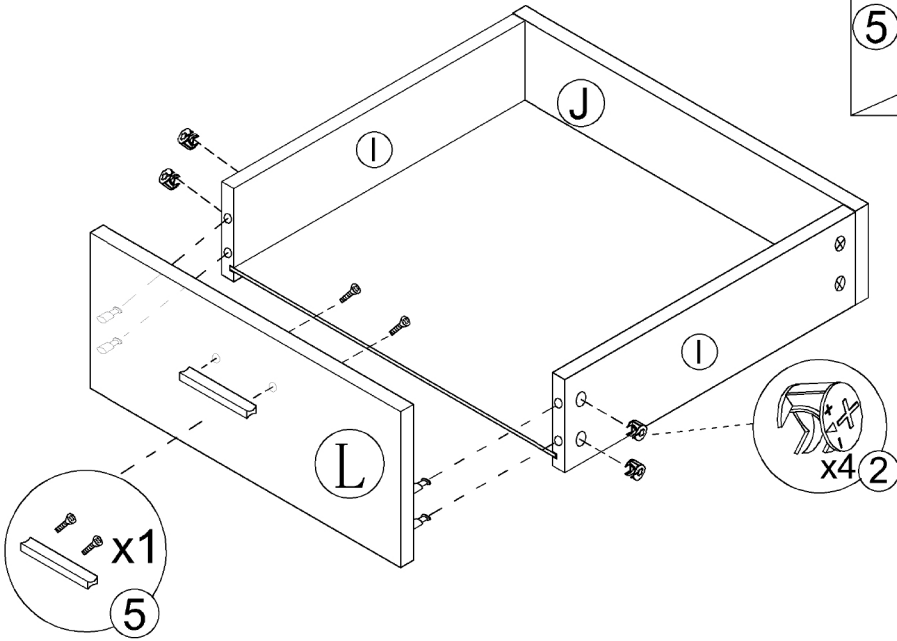
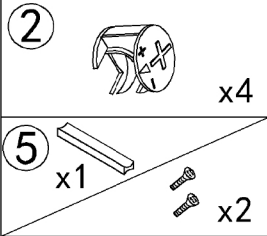
Step 17



Step 18

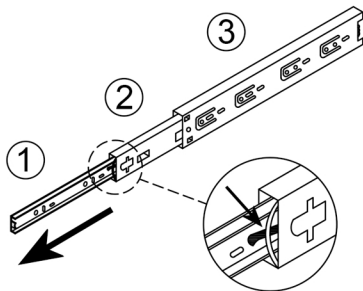


Step 19



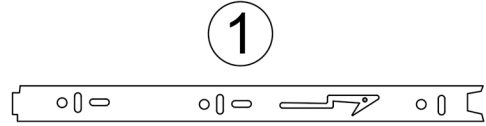
The installation method for the other drawer is the same

Drawer rail breakdown diagram



Step 1 : Pull the rails apart

Step 2 : Push the nylon buckle outward ①



②

③

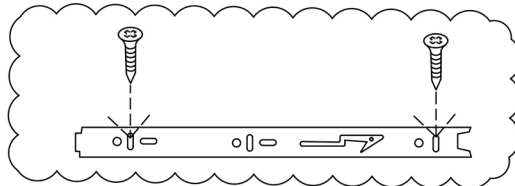


①

②

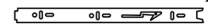
③

Step 20



⑥

x2

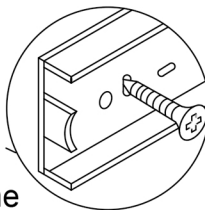
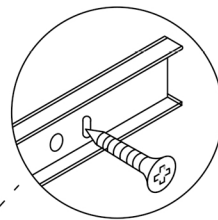
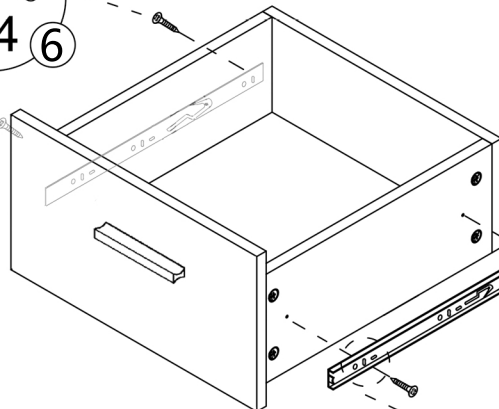


x4



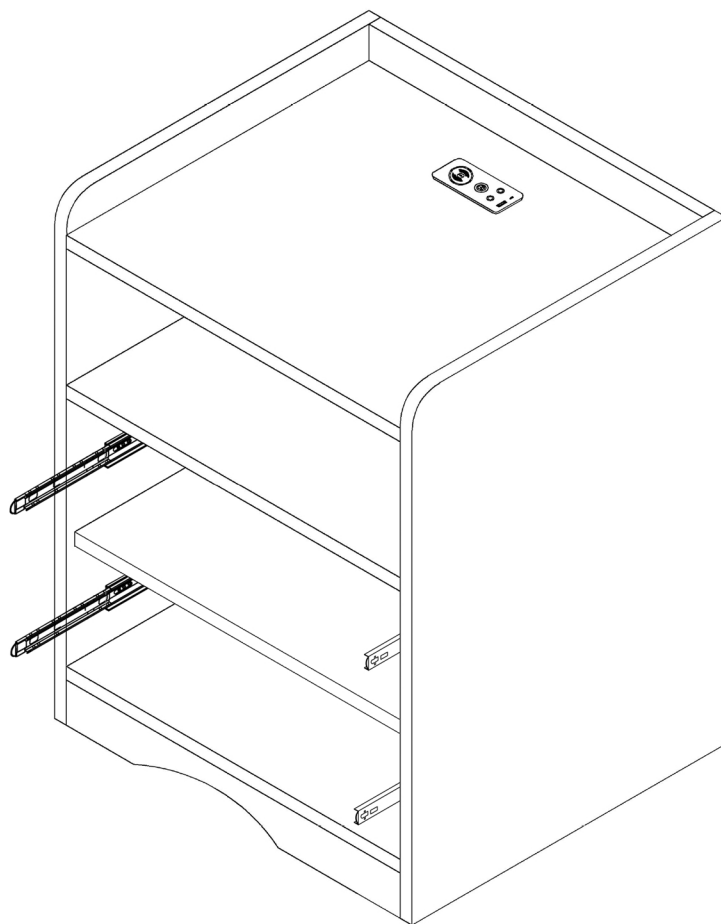
x4

⑥



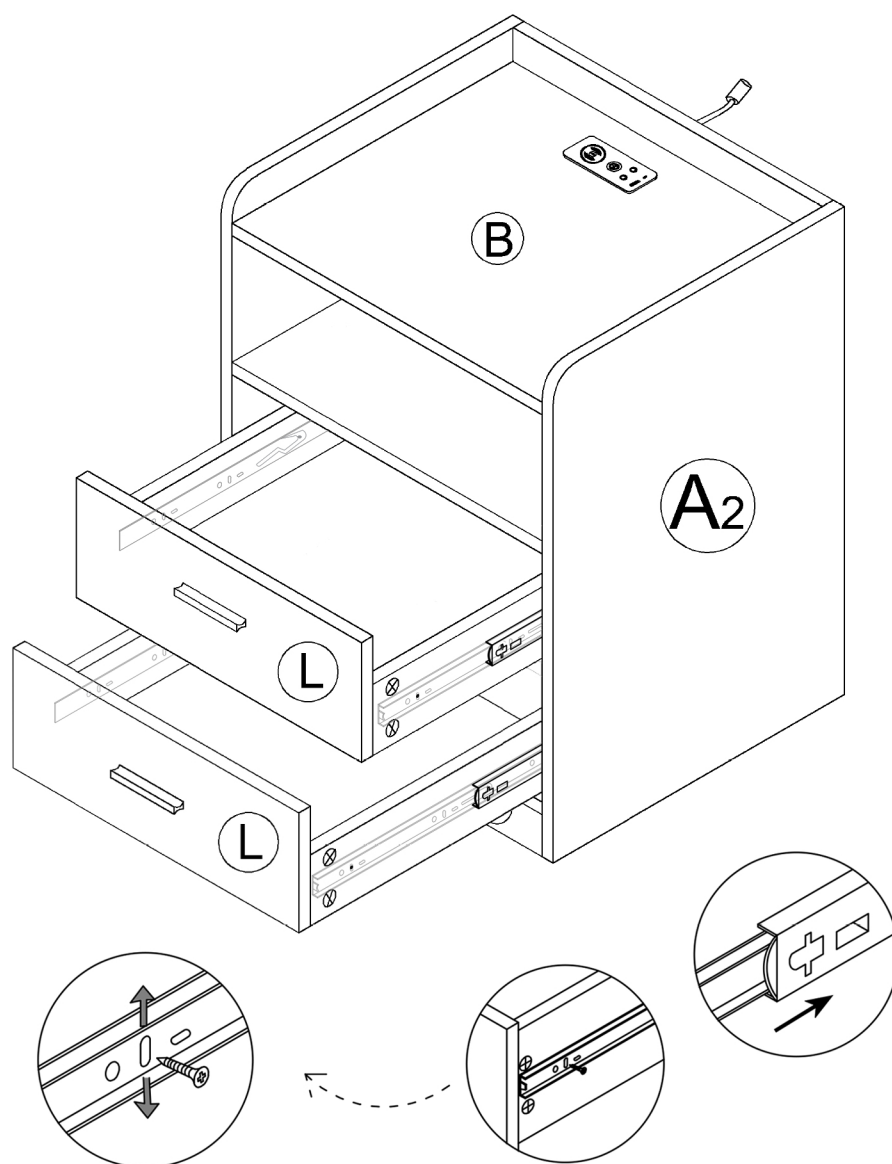
The installation method for the other drawer is the same

Step 21



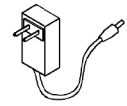
As shown, When installing the drawer,  
pull the guide rail out first, Slide beads are also pulled out.

## Step 22

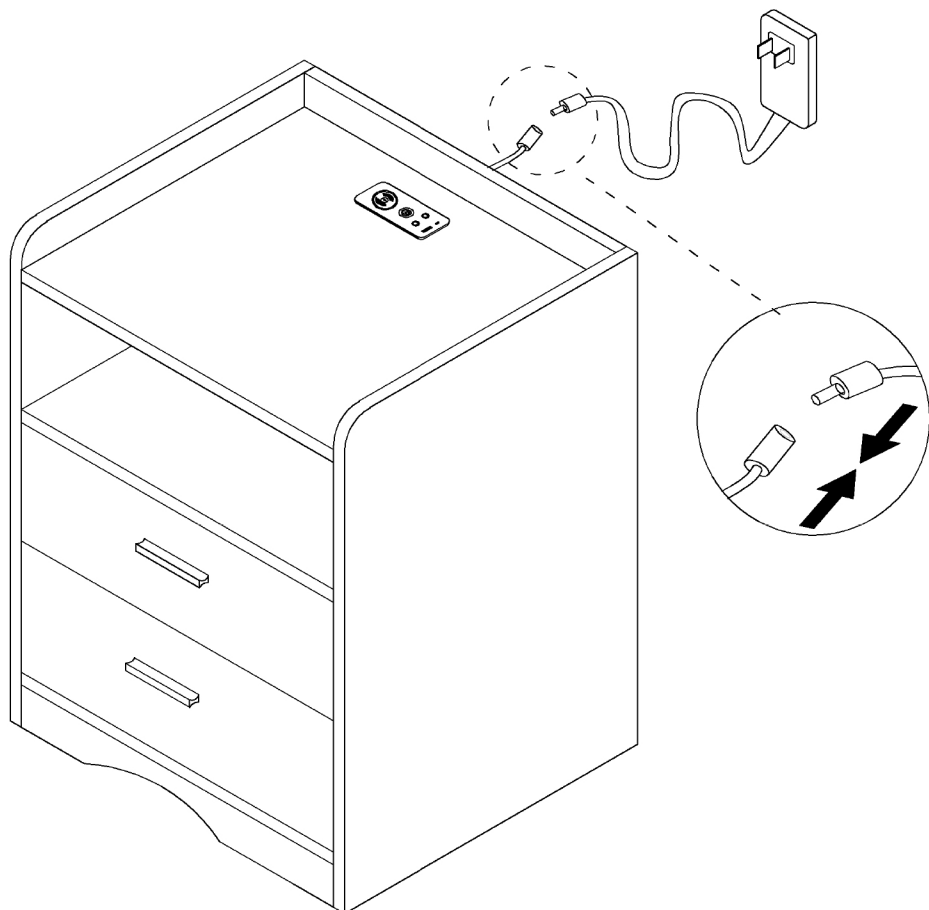


If a large gap is found after installing the drawer the slide rail can be moved up and down to adjust the gap

Step 23



The bedside table supports wireless charging ,  
It can be charged by placing a mobile phone  
that supports wireless charging





## User's Guide

Thank you for purchasing this product.

To use this product, please plug it into a 12V DC power supply.

Please use it if the product works normally after connecting to power.

## Introduction

The box is an intelligent controller which integrates the charging function and the lighting control function, coming with 1 USB port and 1 type-C port, 2 touch buttons, a 24-color lighting control button, and a wireless charger.

## Operation



This touch button is used to turn on/off lights and adjust brightness.

A. Long touch -> adjust the luminance.

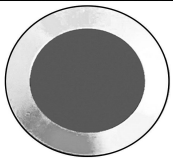


This touch button is used to turn on/off the induction function.

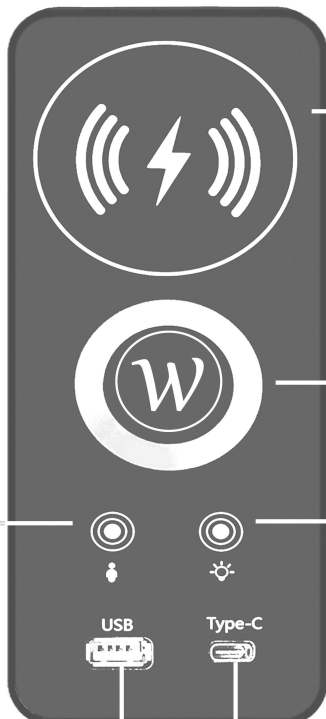
A. Short touch to turn on the induction function. It can auto-turn on the light when people are close to the controller within 1 meters. It can auto power off the light when the body is far away from the controller after 30 seconds.

B. Long touch to turn off the induction function.

C. Note: When you touch the light button to change the light modes, the induction function will automatically turn off. It is best to turn on this function after selecting the light color and adjusting the brightness you want.



This touch button is used to change 24 colors light. You can rotate the ring to choose colors, or click the ring to choose colors. Click in the middle of the ring, and reset to the white light.



This range is a wireless charging area, and only mobile phones with wireless charging function can be charged.

Consumer Reminder: Important Notice for Wireless Charging Use

1, Phone-Only Wireless Charging: This device supports wireless charging for mobile phones only. Attempting to charge other electronic devices may result in danger.

2, Metal Warning: Ensure that no metal objects are placed between your phone and the wireless charger (this includes magnetic or metal phone cases).

If there are metal objects can interfere with charging or cause hazardous conditions.



## ATTENTION PLEASE

1. If there is no touch response suddenly, Re-plug the power to reset the touch static electricity.
2. If bubbles appear on the panel, remove the protective film.
3. If you have any questions when installing, please feel free to contact us. Thank you.

USB output port      Type-C output port