

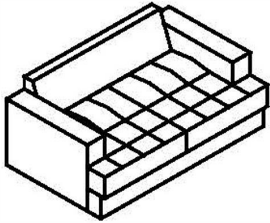
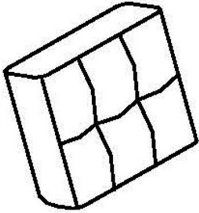
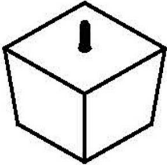
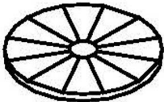
# ASSEMBLY INSTRUCTION

## LOVE SEAT

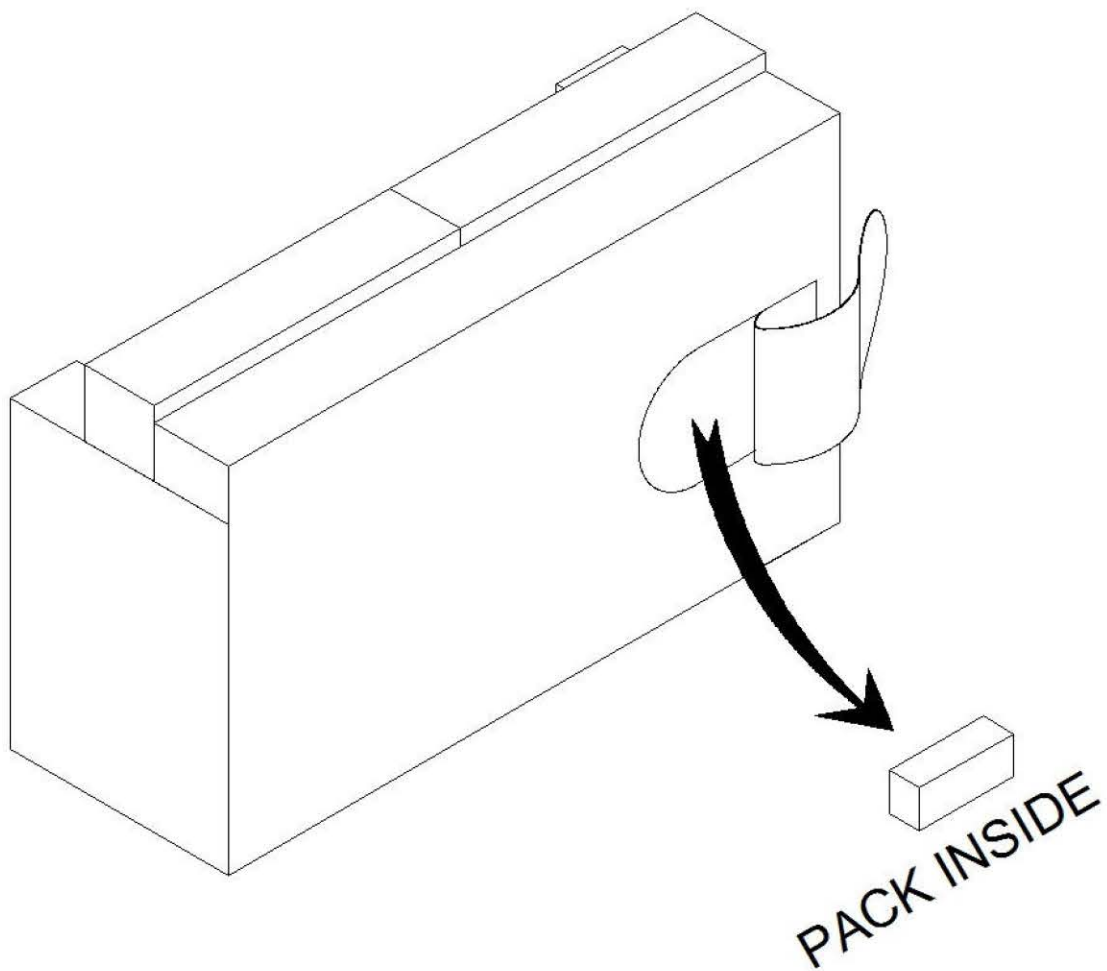


Leg and hardware are inside the box, please take out for assembly.

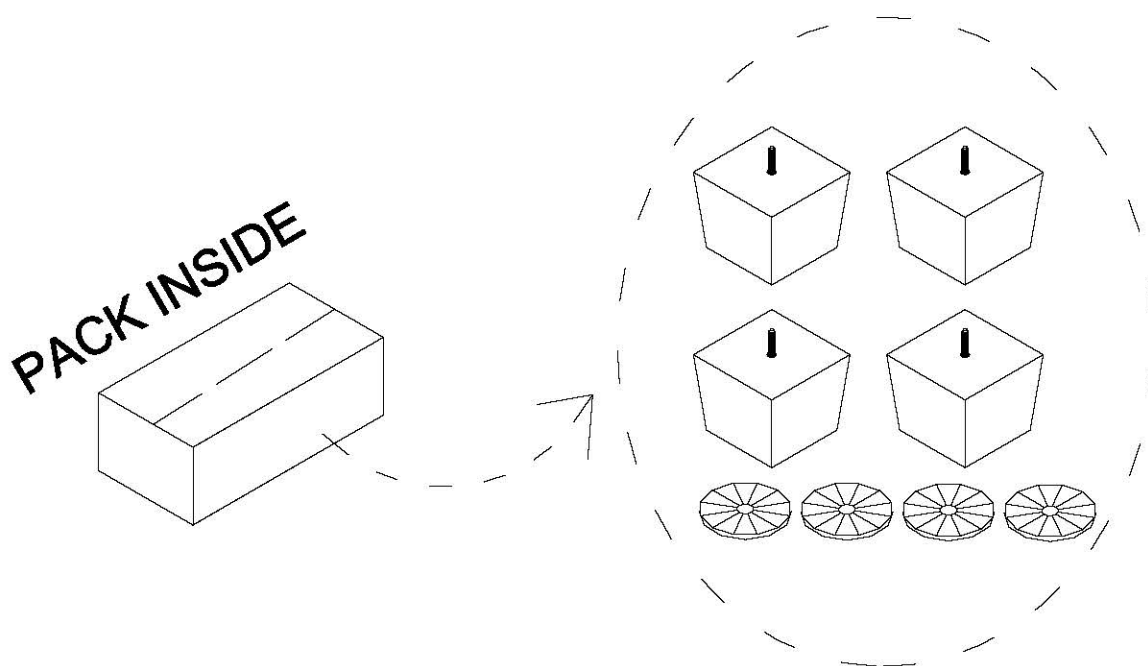
NOTE: Do not use power tools for assembly. Power tools increase the risk of over tightening which lead to splitting or cracking the wood.

| NO. | DRAWING   | QTY | DESCRIPTION                    |
|-----|---|-----|--------------------------------|
| A   |   | 1   | SEAT                           |
| B   |  | 2   | BACK CUSHION                   |
| C   |  | 4   | WOODEN LEG<br>4-3/4"*4-3/4"*4" |
| D   |  | 4   | GASKET                         |

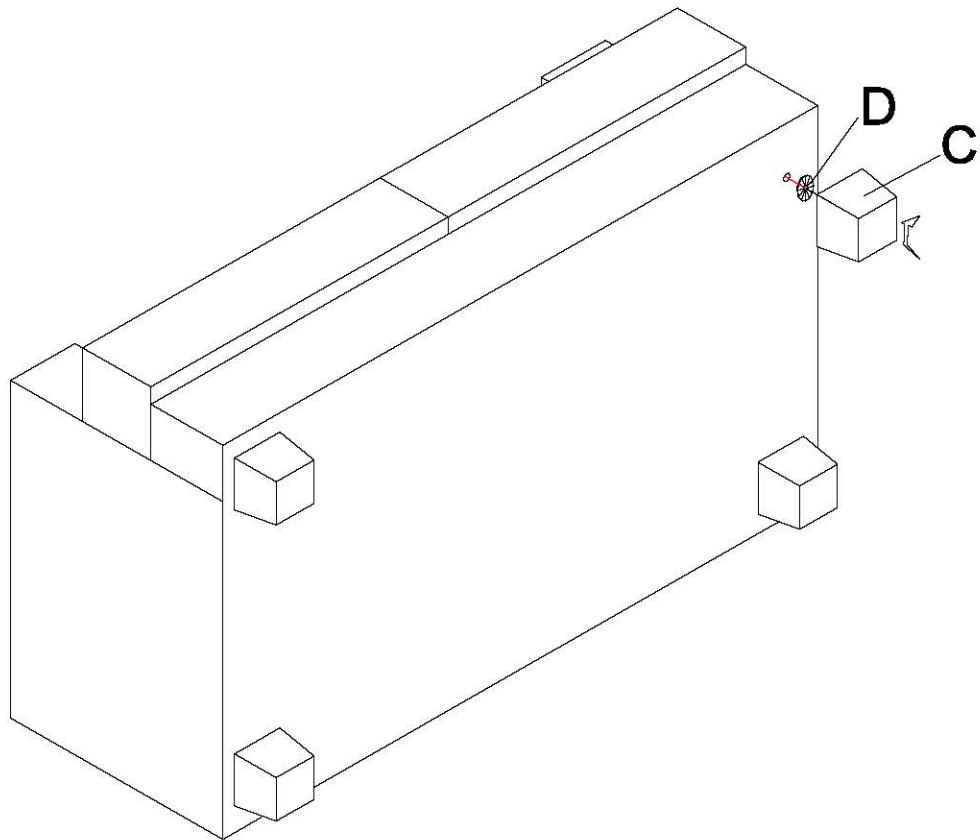
STEP 1:



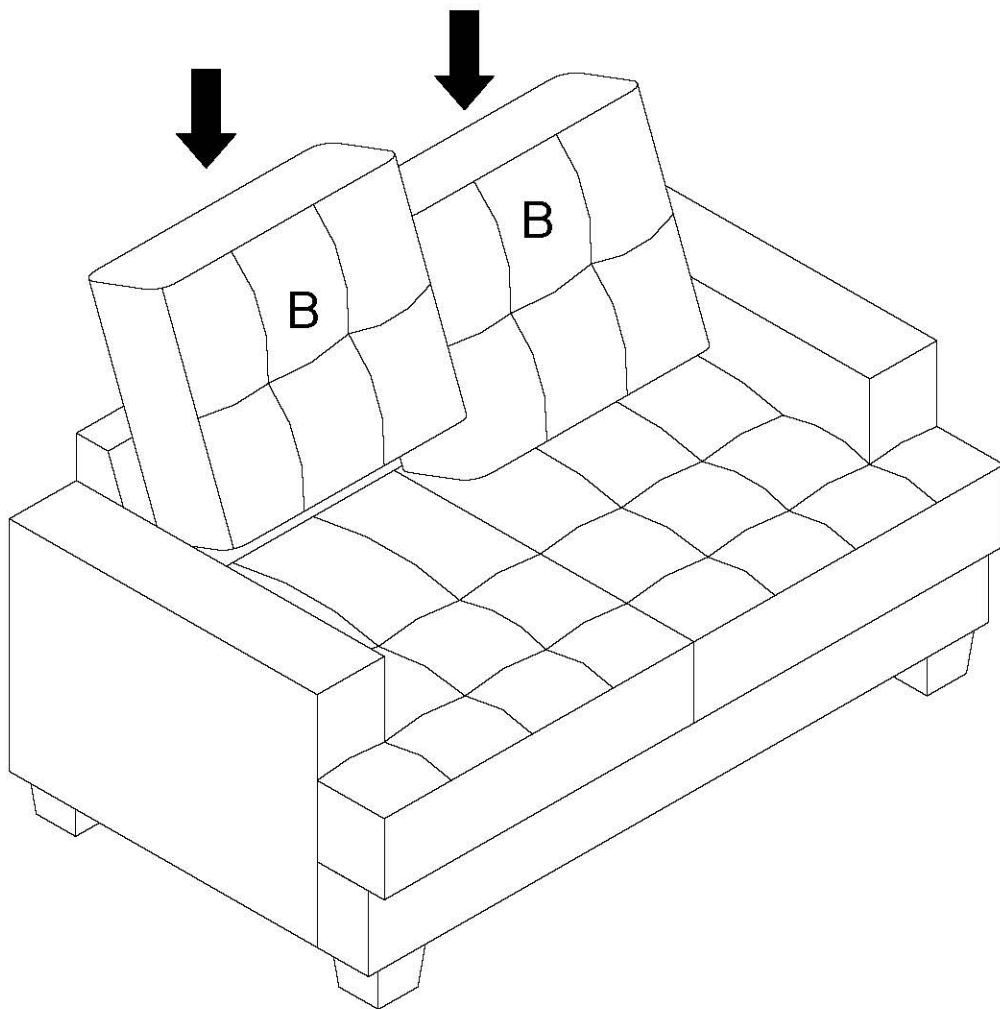
STEP 2:



**STEP 3:**

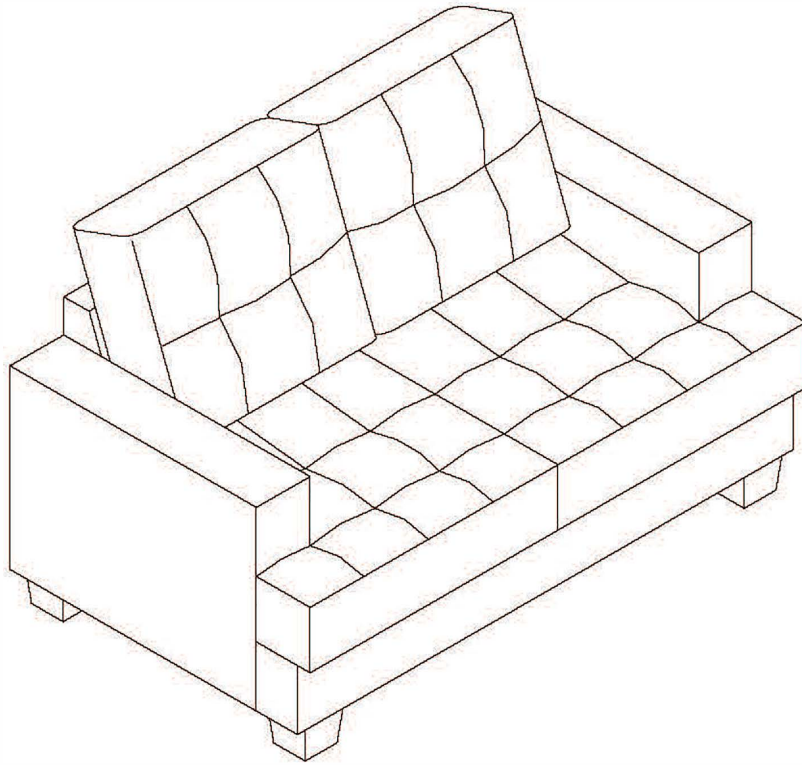


**STEP 4:**



**3 OF 4**

## STEP 5:



### **Care instruction for Leather Gel match furniture:**

In order to maintain the original appearance of your Leather Gel match furniture, please follow below simple care procedures:

- Avoid exposing furniture directly to sunlight or heating or heating conditioning outlets. Sunlight and or exposure to heating and air conditioning outlets will fade/damage Leather Gel match.
- Do not place your upholstered furniture too close to windows, radiators, or vents, and be sure to use windows, radiators, or vents.
- Vacuum or wipe with a cloth regularly to remove dust.



For items used on wooden floor, hard surfaces or carpets, it is recommended to install protective pads under all legs and supports to avoid/prevent from damages/scratches and discoloration.