

Troubleshooting

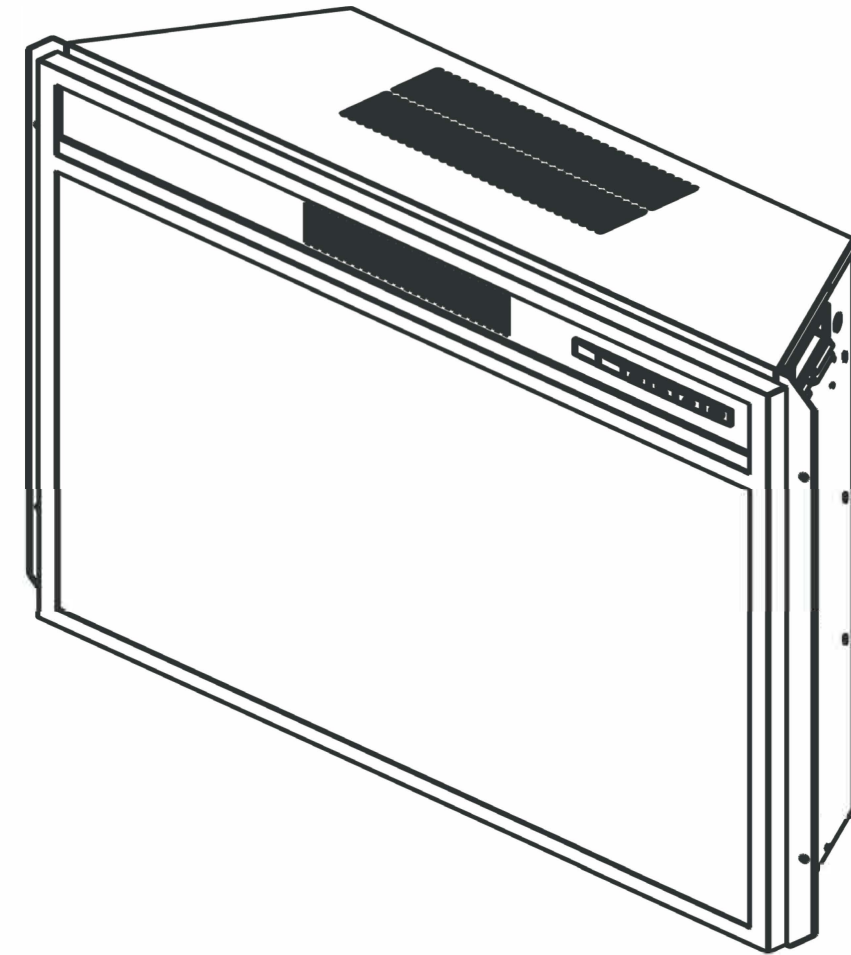
Problem	Solution
The unit does not turn on	Make sure the unit is plugged into a standard 120V grounded power source. Press the power button on the control panel.
Flame effect is on, but there is no flame effect	Open the top and back panel to check if the flame spindle has fallen off from the spindle motor.
The heater does not blow warm air	Make sure the set temperature is higher than the room temperature.
The heater does not work	Turn all switches to OFF and unplug the unit for 5 minutes. Plug the unit back to power and operate as normal.
Error Code 88 shown on the indicator	Reset the unit by unplug the unit from power source for 5 minutes and then plug it back.
Remote control does not work	Use it closer to the unit / change battery / remove insulating plastic sheet.

28" FIREPLACE MENTAL

⚠ CAUTION! WARNING: Do not use this device before reading these instructions.

Model# 050-MT-33

USER'S MANUAL



NOTICE:

If your package is missing parts or you are having issues with assembly, please call Belleze Furniture directly at (909)-595-5901. The Belleze Furniture customer service team will address any questions or concerns you may have. Have this manual open and ready for reference.

CUSTOMER SERVICE:

909-595-5901
9:00AM - 6:00PM PST (Monday - Friday)

manufacturer@dellaproductsusa.com
www.dellaproductsusa.com

Table of Contents

Warnings and Precautions	03
Technical Specification	04
Package Contents	04
Installation Guide	07
Users Instruction	15
Care and Maintenance	19
Troubleshooting	20

Care and Maintenance

Cleaning the unit:

Always turn off the and unplug the unit from power outlet before cleaning.

Allow the unit to cool down completely before performing any maintenance or cleaning.

Use a vacuum cleaner or duster or soft, dry cloth to regularly remove any accumulated dust on the unit.

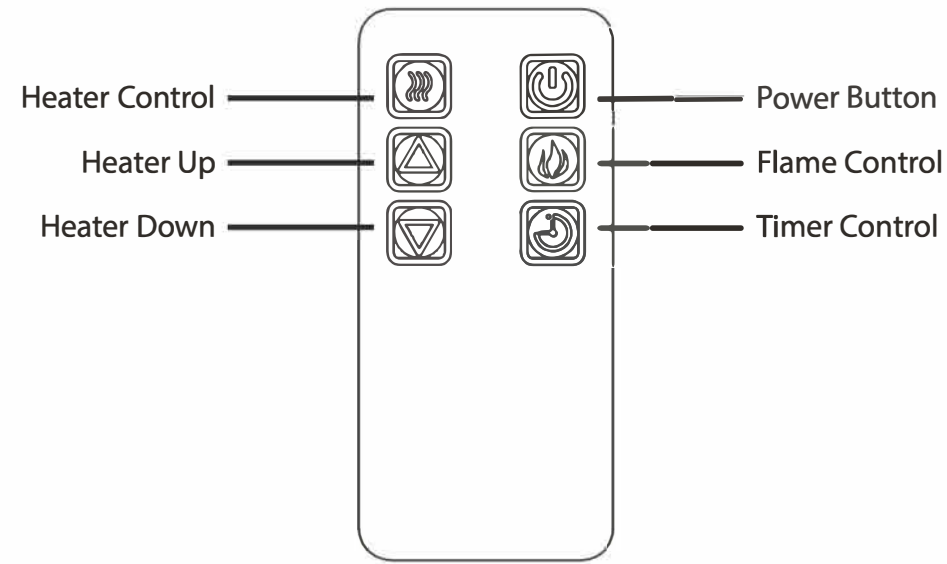
Use a damp soft cloth to clean the surface and buff with a dry cloth.

Do not use abrasive cleansers, liquid sprays or any cleaner that could scratch the surface.

NOTE: Careful to not get the interior of the unit wet.

NOTE: A small amount of dish soap can be added to the water for cleaning.

User Instruction



Remote Control

The operation of the remote control buttons work the same as the button on the control panel.

The remote control has an effective range up to 13ft.

Install / Replace Battery

The remote control is provided with a CR2025 battery. Remove the plastic insulating sheet before using.

To replace or remove old battery, push in the clip and pull the battery bracket out simultaneously.

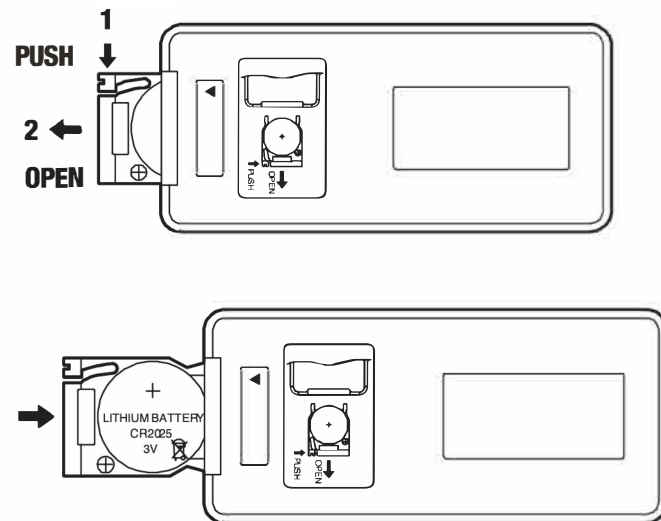
Insert a new battery with the button side into the battery bracket, make sure the battery is firmly seated.

To replace the bracket, simply push it into the remote control. Make sure the bracket snaps into position.

NOTE: Remove battery from remote control if not use for an extended period of time.

CAUTION! WARNING: Dispose old / used battery at a suitable recycling point or according to local regulations.

CAUTION! WARNING: DO NOT ingest battery. If accidentally swallowed, seek for medical help immediately.



When using electrical appliances, basic safety precautions should always be followed including the following:

READ ALL INSTRUCTIONS BEFORE USE

1. Read all instructions before using this heater.
2. Do not use this heater outdoors.
3. This heater is not intended for use in bathrooms, laundry areas and similar indoor locations. Never locate the heater where it may fall into a bathtub or other water container.
4. Do not run the power cord under carpeting. Do not cover the power cord with throw rugs, runners, or the like. Arrange the power cord away from traffic areas and where it will not be tripped over.
5. To disconnect the heater, turn controls to off, then remove the plug from the outlet.
6. Connect to properly grounded outlet only. Always plug heaters directly into a wall outlet/receptacle. Never use with an extension cord or reloadable power tap (outlet/power strip).
7. To prevent a possible fire, do not block operate the firebox on soft surfaces, like a bed, where openings may become blocked.
8. There is a thermostat limiter inside the heater. When the inner temperature overheat or abnormal heating occurs, the thermostat protective device cuts off the power supply to avoid fireplace from damaged or risk of fire.
9. Use the heater only as described in the manual. Any other use not recommended by the manufacturer may cause fire, electrical shock, or injury.

WARNING: There is no user serviceable parts inside fireplace/heater. If the unit appears to malfunction, turn the unit off and unplug from the wall immediately and contact Customer Service.

WARNING: This heater is hot when in use. To avoid burns, do not let bare skin touch hot surfaces. If provided, use handles when moving this heater. Keep combustible material, such as furniture, pillows, bedding, papers, clothes, and curtains at least 3ft (0.9m) from the front of the heater and keep them away from the side or rear.

WARNING: Extreme caution is necessary when any heater is used by or near children or invalids and whenever the heater is left operating and unattended.

WARNING: Always unplug the heater when not in use.

WARNING: Do not operate any heater with a damaged cord or plug or after the heater malfunctions, has been dropped, or damaged in any manner. Return the heater to an authorized service facility for examination, electrical or mechanical adjustment, or repair.

WARNING: Do not insert or allow foreign objects to enter any ventilation or exhaust openings as this may cause an electric shock or fire, or damage to the heater.

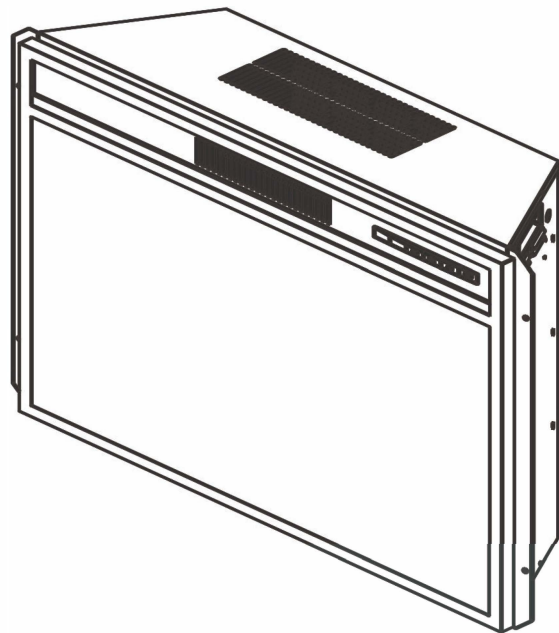
WARNING: A heater has hot and arching or sparking parts inside. Do not use in areas where gasoline, paint, or flammable liquids are used or stored.

CAUTION: While the heater is in use, the top center of the fireplace can get hot to the touch, and may cause serious injury or burns. Always supervise small children around the fireplace/heater. Do not place any cloth or decorations over the heater outlet or fireplace, or otherwise obstruct the heater outlet of the fireplace, as this may cause a fire and serious injury.

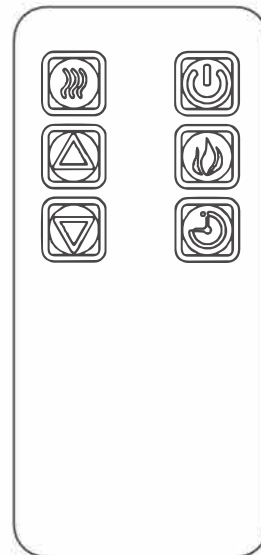
Specifications

Model Number	050-MT-33
Dimensions (Mantel Shelf)	47.48"x10.87"x41.81"
Net Weight (Mantel Shelf)	70.55 lb
Gross Weight (Mantel Shelf)	79.37 lb
Dimensions (Fireplace Heater)	30.2"x7.64"x23.8"
Net Weight (Fireplace Heater)	32 lb
Gross Weight (Fireplace Heater)	35 lb
Power Rating	1400 W
Voltage	120 V
Frequency	60 Hz

Package Contents (Fireplace)



Fireplace Unit



Remote Control

User Instruction

Heater Control

Press the heater control to turn on the heater.

Press and hold the heater control button for 5 seconds to enter temperature adjustment mode. Continue to press the heater control button to cycle through the different heat setting (17°C-27°C / 62°F-82°F + ON).

Press and hold the power button for 5 seconds while the heater is on to switch between degree Fahrenheit and degree Celsius.

To lock the heating function, press and hold the heater control button for 10 seconds. The heater will stop function but the logs effect keep glowing. Press and hold the heater control button for 10 seconds to unlock the heating function.

Timer Control

Press the Timer button to set the timer. The timer setting are as follows

Button Press	Time Interval	Display Value
1st press	30 minutes	30
2nd press	1 hour	1H
3rd press	2 hour	2H
4th press	3 hour	3H
5h press	4 hour	4H
6th press	5 hour	5H
7th press	6 hour	6H
8th press	OFF	None

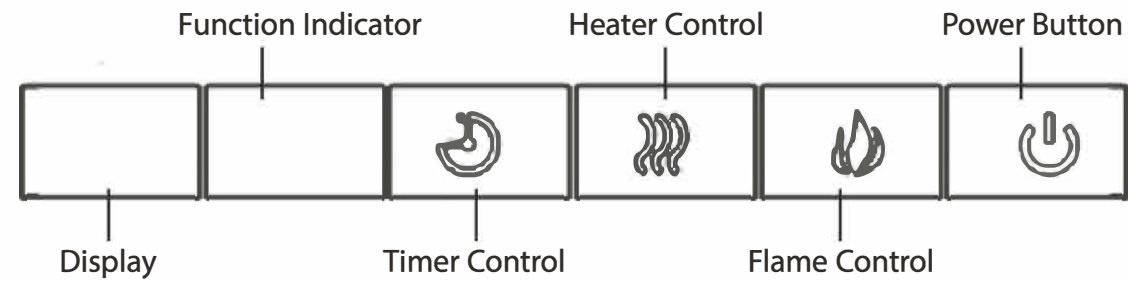
Function Indicator

Red LED indicate the unit running in degree Fahrenheit.

Green LED indicate the unit running in degree Celsius.

Blue LED indicate the timer function is engaged.

User Instruction



Control Panel

The control panel is located on the top right corner of the unit.

Power ON / OFF

Press the power button to turn on the unit. Press again to turn off the unit.

⚠ CAUTION! WARNING: DO NOT unplug the unit when it is still "ON"

Flame Control

Press the flame control button to rotate and set flame effect levels. The flame setting are as follows.

Button Press	Display Value	Flame Level	Fireplace Appearance
1st press	L4	High	Highest Flame, Highest Logs Glow
2nd press	L3	Medium	Medium Flame, Medium Logs Glow
3rd press	L2	Low	Low Flame, Low Logs Glow
4th press	L1	Flame Off	Flame Off, Highest Logs Glow
5h press	None	All Off	All Off

To lock the flame function, press and hold the flame button for 5 seconds when the flame in L4 mode. The log lights will flash 5 times to indicate the flame function is locked. Press the flame control button to rotate the logs glow effect. The logs glow setting are as follows.

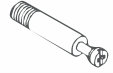







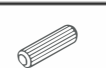


Button Press	Display Value	Flame Level	Fireplace Appearance
1st press	L4	Flame Off	Highest Logs Glow
2nd press	L3	Flame Off	Medium Logs Glow
3rd press	L2	Flame Off	Low Logs Glow
4th press	L1	Flame Off	Highest Logs Glow
5h press	None	All Off	All Off

To unlock the flame function, press and hold the flame button for 5 seconds.

Package Contents (Mantel Shelf)

CODE	DESCRIPTION	QTY
1	Top Panel	1
2	Left Side Panel	1
3	Right Side Panel	1
4	Case	1
5	Left Side Upper Panel	1
6	Right Side Upper Panel	1
7	Left Side Lower Panel	1
8	Right Side Lower Panel	1
9	Left Front Panel	1
10	Right Front Panel	1
11	Upper Center Panel	1
12	Upper Panel	1
13	Front Lower Panel	1
14	Back Lower Panel	1

Package Contents (Mantel Shelf)

CODE	PICTURE	DESCROPTION	QTY
A		Cam Bolt	33
B		Wood Dowel	12
C		Cam Lock	33
D		Long Screw	28
E		Plastic Cover	17
F		Metal Plate	4
G		Plastic Connector	2
H		Bolt	4
I		Wood Dowel	6
J		Tough-up Pen	1
K		Fall Prevention kit	2

User Instruction

Before use

Check that the air intake and exhaust is not covered or obstructed in anyway.

Keep combustibile objects at least 3ft away from the unit.

Plug the unit to a grounded power socket.

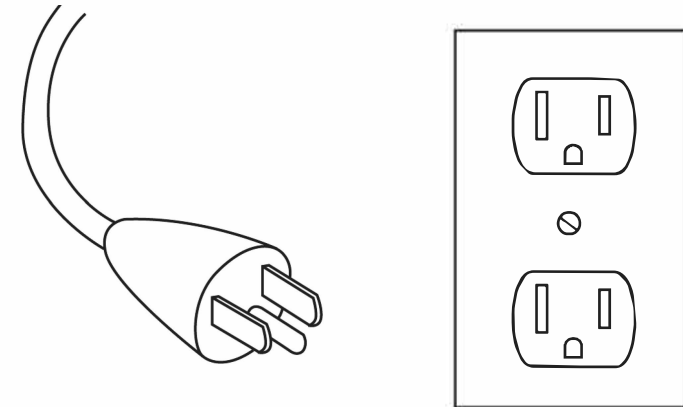
Grounding

This product must be grounded. If it should malfunction or breakdown, grounding provides a path of least resistance for electric current to reduce the risk of electric shock.

This unit comes standard with a 6ft (1.8m) long, three wired cord. Always plug the unit into a wall outlet. An extension or relocate tab should never be used.

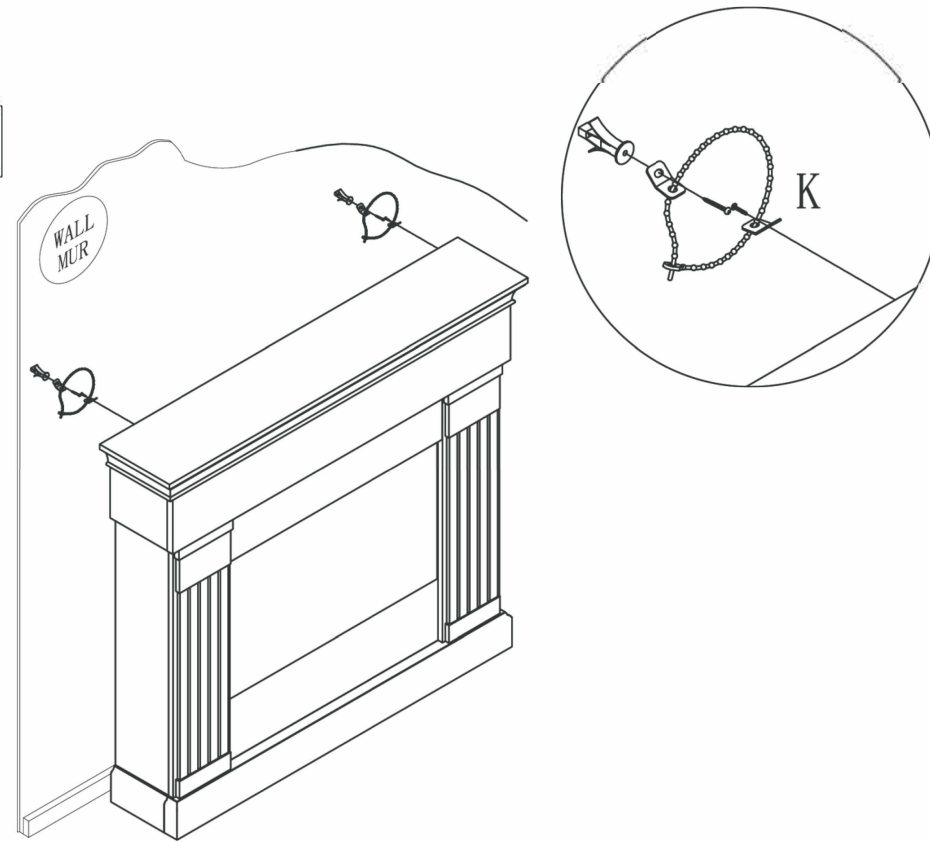
⚠ CAUTION! WARNING: Improper connection of the equipment grounding conductor can result in a risk of electric shock. Check with a qualified electrician or serviceman if you are in doubt as to whether the product is properly grounded.

⚠ CAUTION! WARNING: DO NOT modify the plug provided with the product nor using any bypass device if the plug does not fit the outlet. Have a proper outlet installed by a qualified electrician.



STEP 13

K  2



STEP 14

Carefully set the unit from the back of the mental and center it in the opening.
Check the alignment and attach the unit to the mental by inserting screws through the drilled holes on the trim to the mental.
NOTE: Do not attempt to install the unit from the front of the mental. It will not fit.