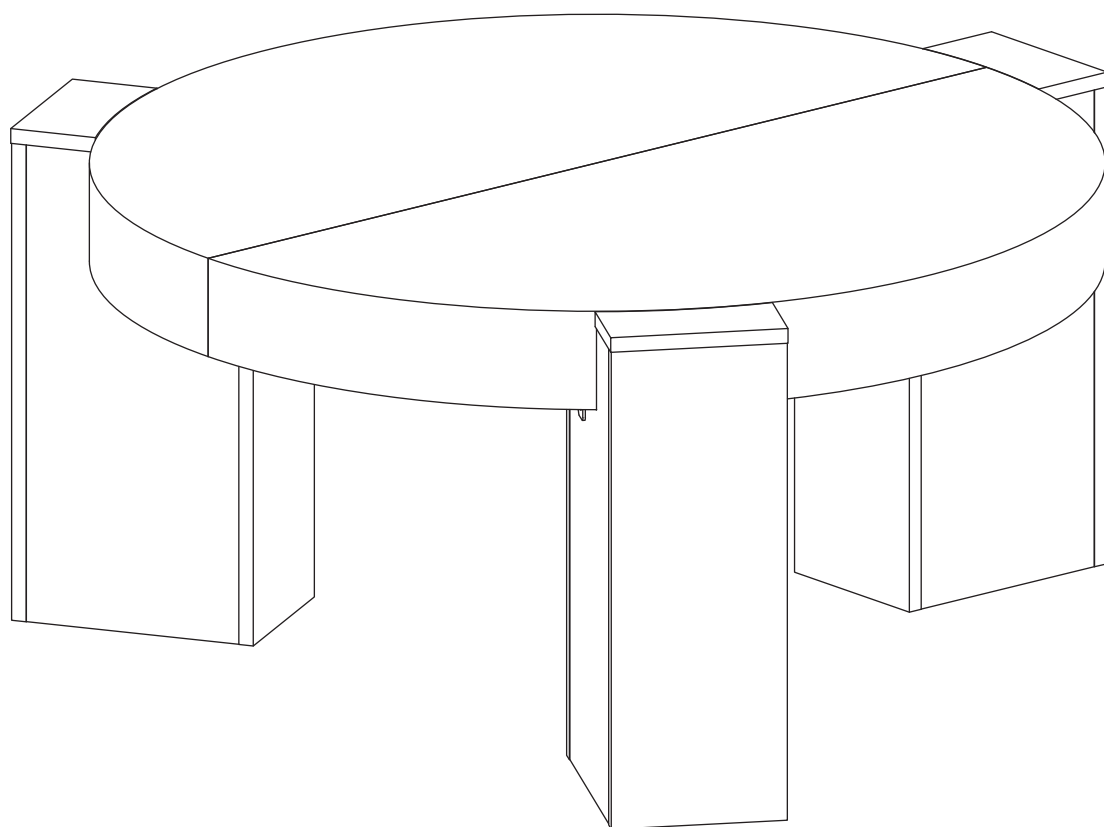
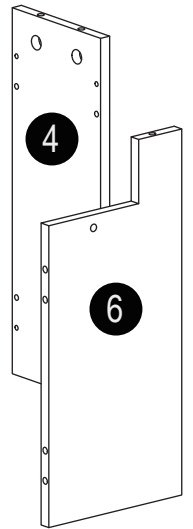
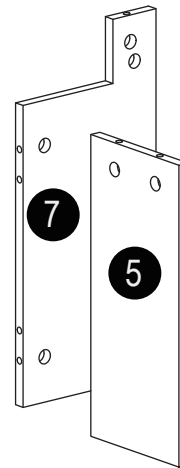
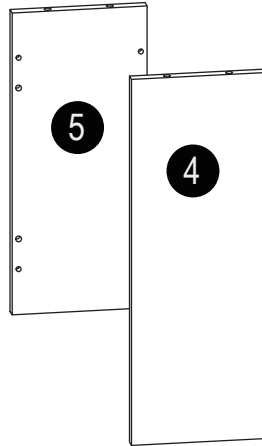
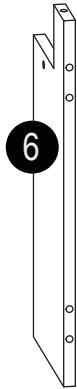
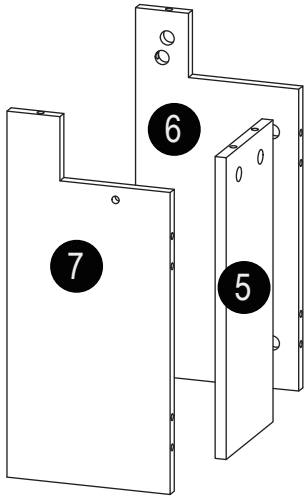
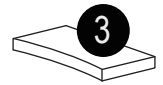
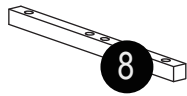
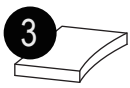
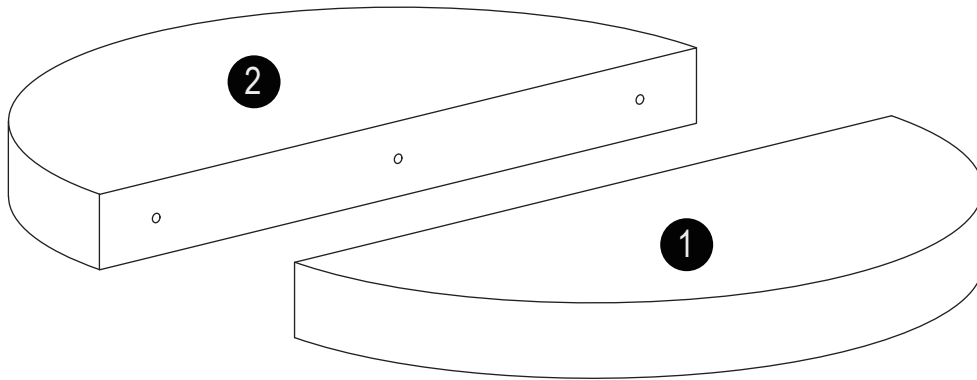
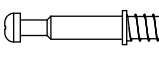



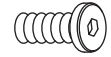
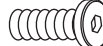
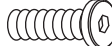





# ASSEMBLY INSTRUCTIONS

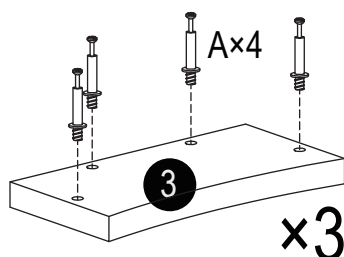
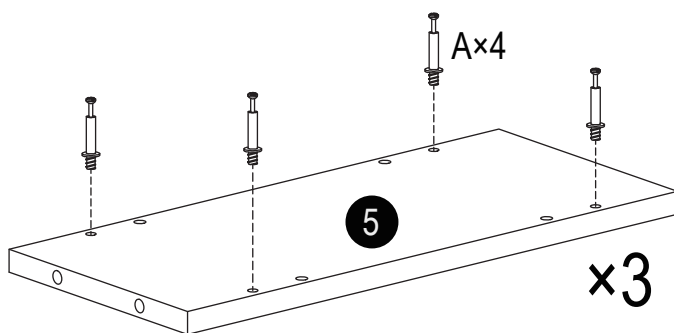
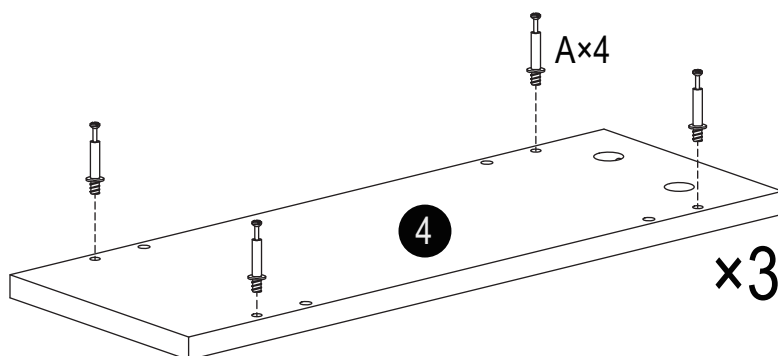
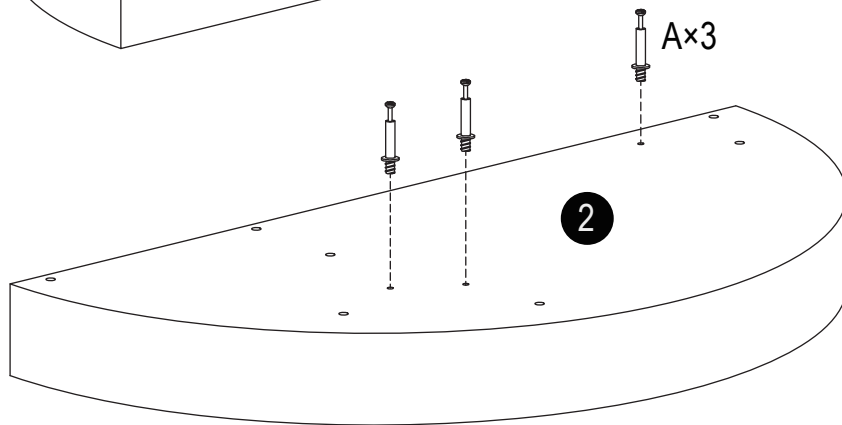
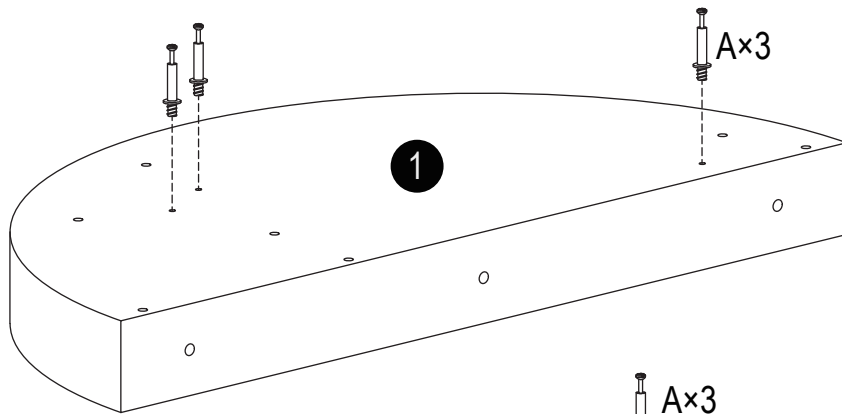
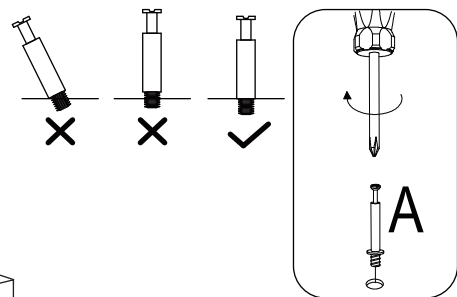


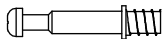


A	x42+3	B	x42+3	C	x24+3	D	x3+1	E	x6+1
									
Ø6×35mm		Ø15×10mm		Ø6×30mm		Ø10×50mm		M6×10mm	

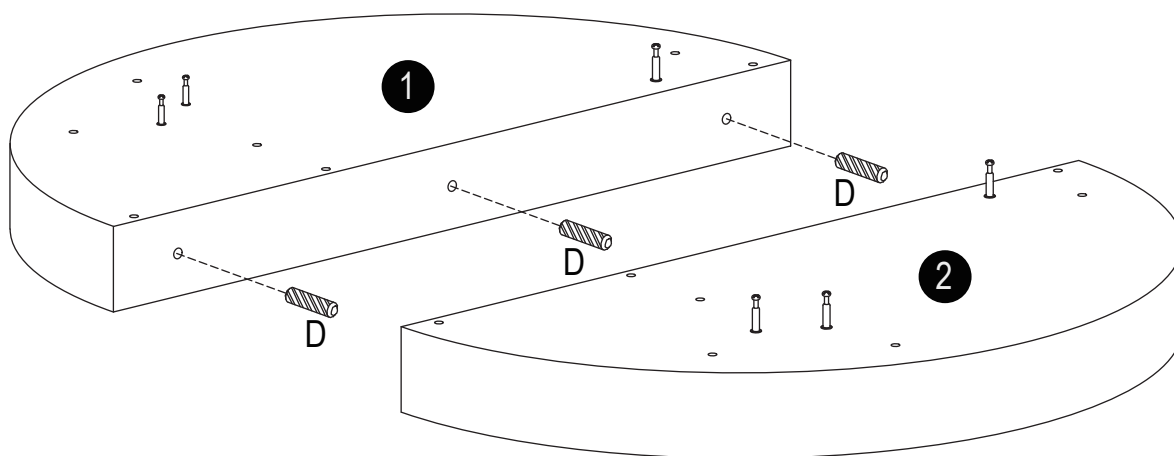
F	x10+2	G	x4+1	H	x1	I	x6	J	x2
									
M6×15mm		M6×30mm		M4×45×45mm		25×25×20mm		40×20mm	

# STEP 1



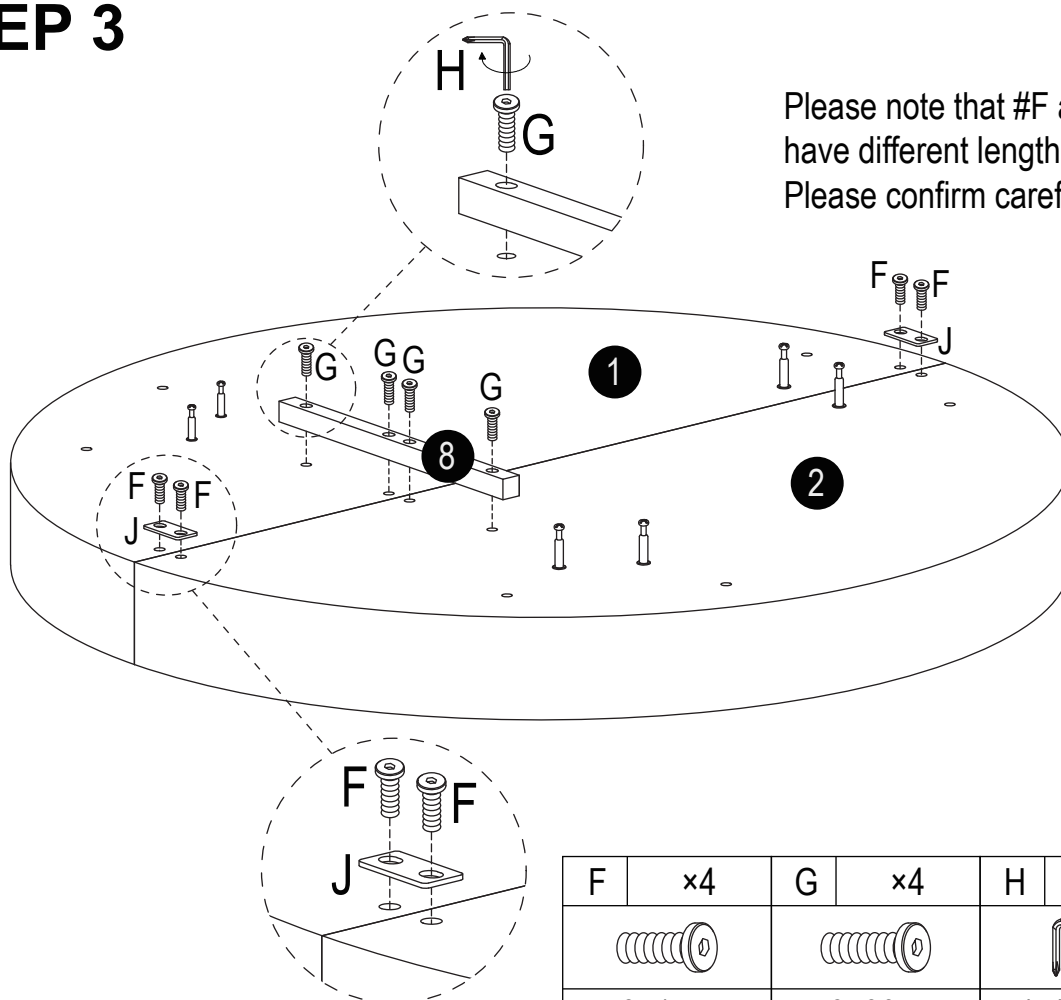
A	x42
	
Ø6x35mm	

# STEP 2



D	x3
Ø10×50mm	

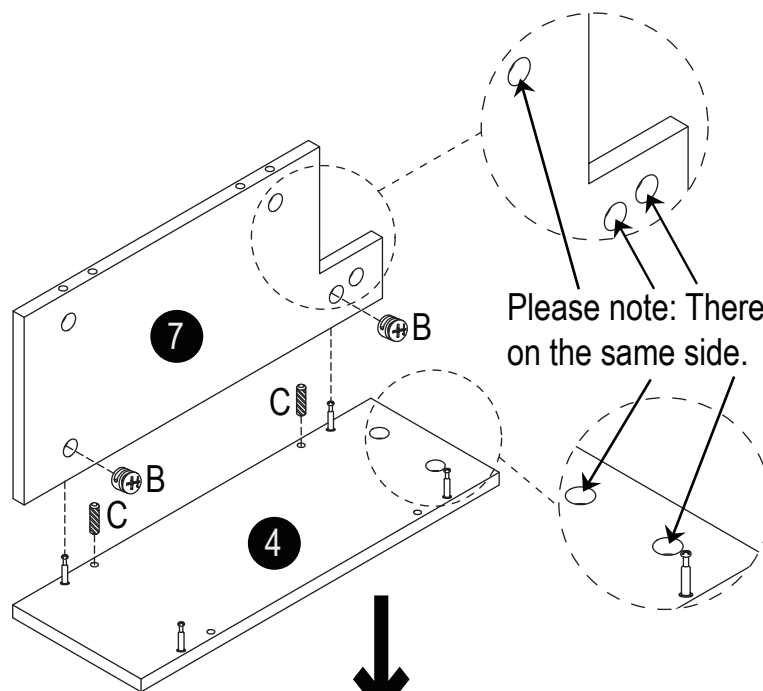
# STEP 3



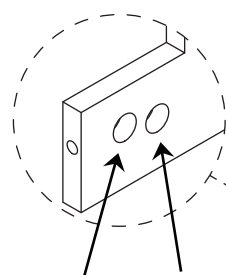
Please note that #F and #G have different lengths.  
Please confirm carefully before use.

F	x4	G	x4	H	x1	J	x2
M6×15mm		M6×30mm		M4×45×45mm	40×20mm		

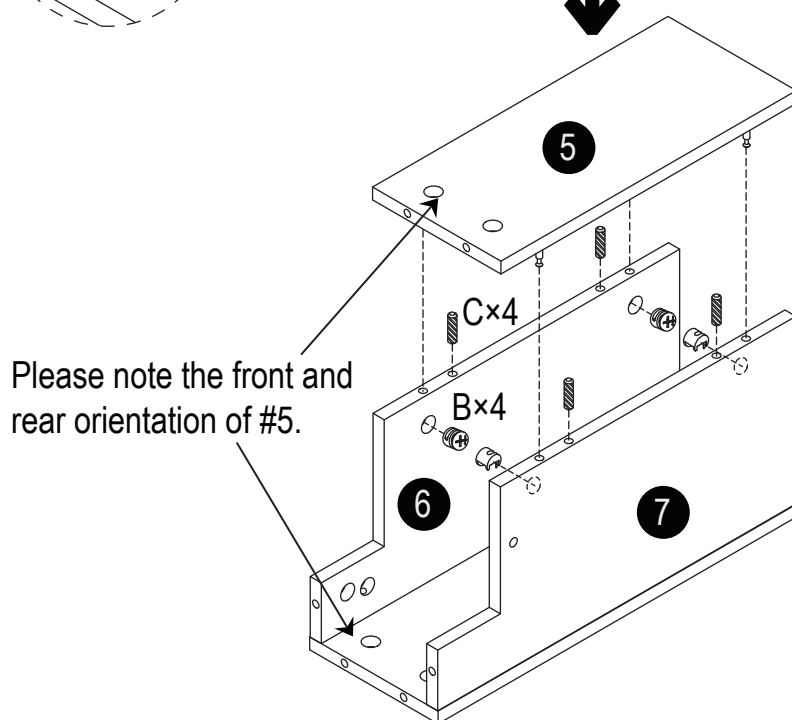
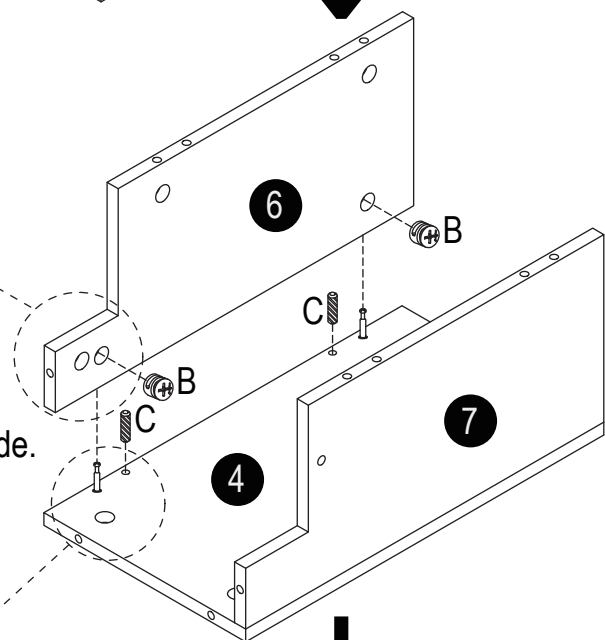
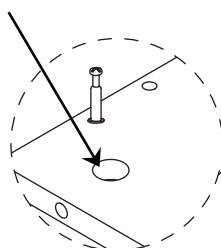
# STEP 4



Please note: There are five mounting holes on the same side.





Please note: There are three mounting holes on the same side.

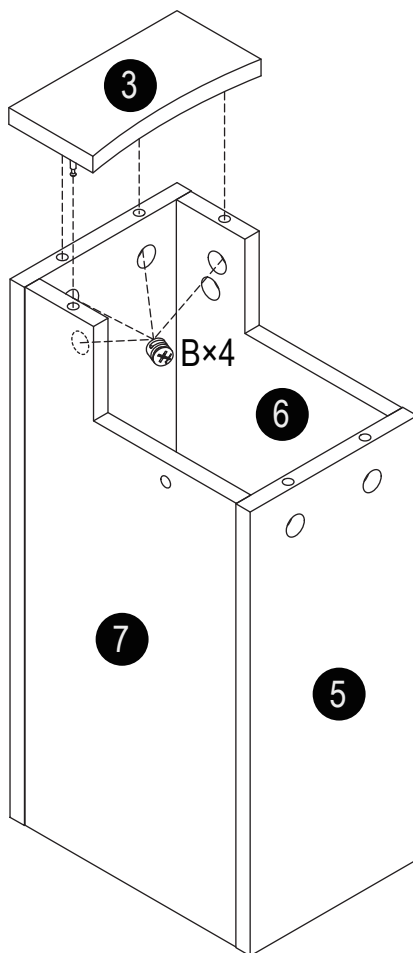


Please note the front and rear orientation of #5.

**×3**

B	×24	C	×24
			
Ø15×10mm		Ø6×30mm	

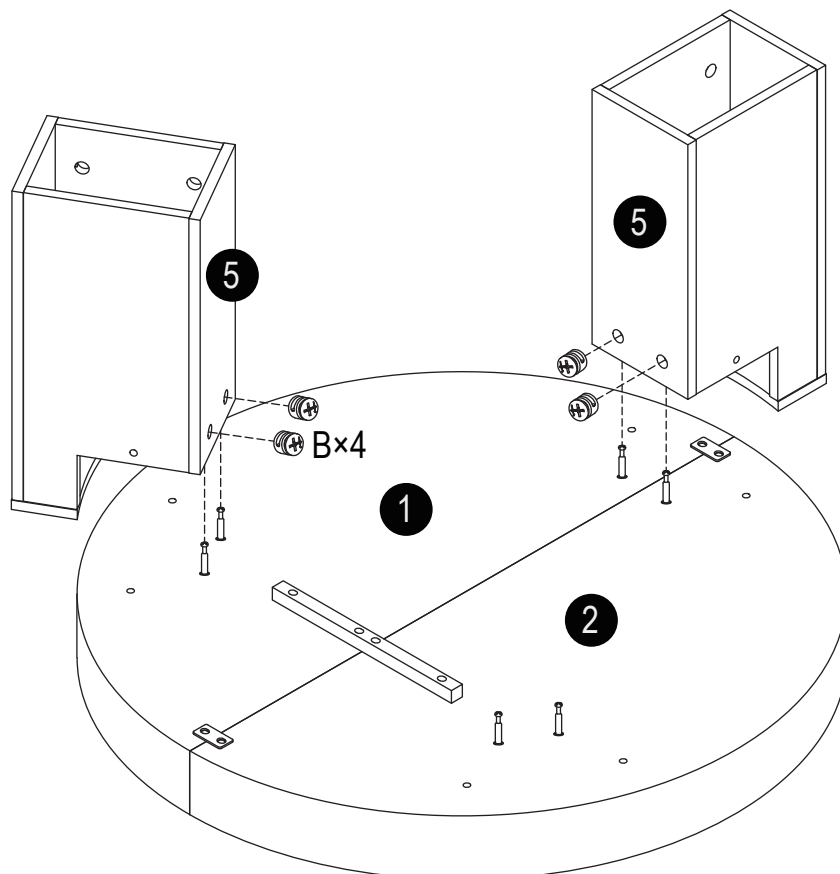
# STEP 5



**x3**

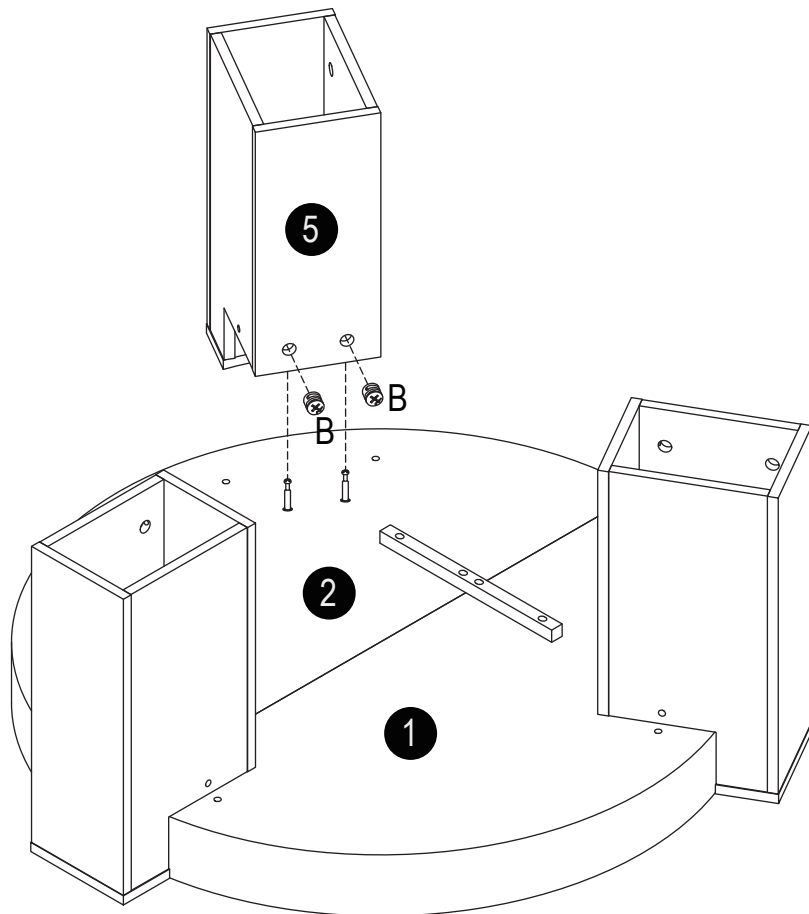
B	x12
Ø15x10mm	

# STEP 6



B	x4
Ø15x10mm	

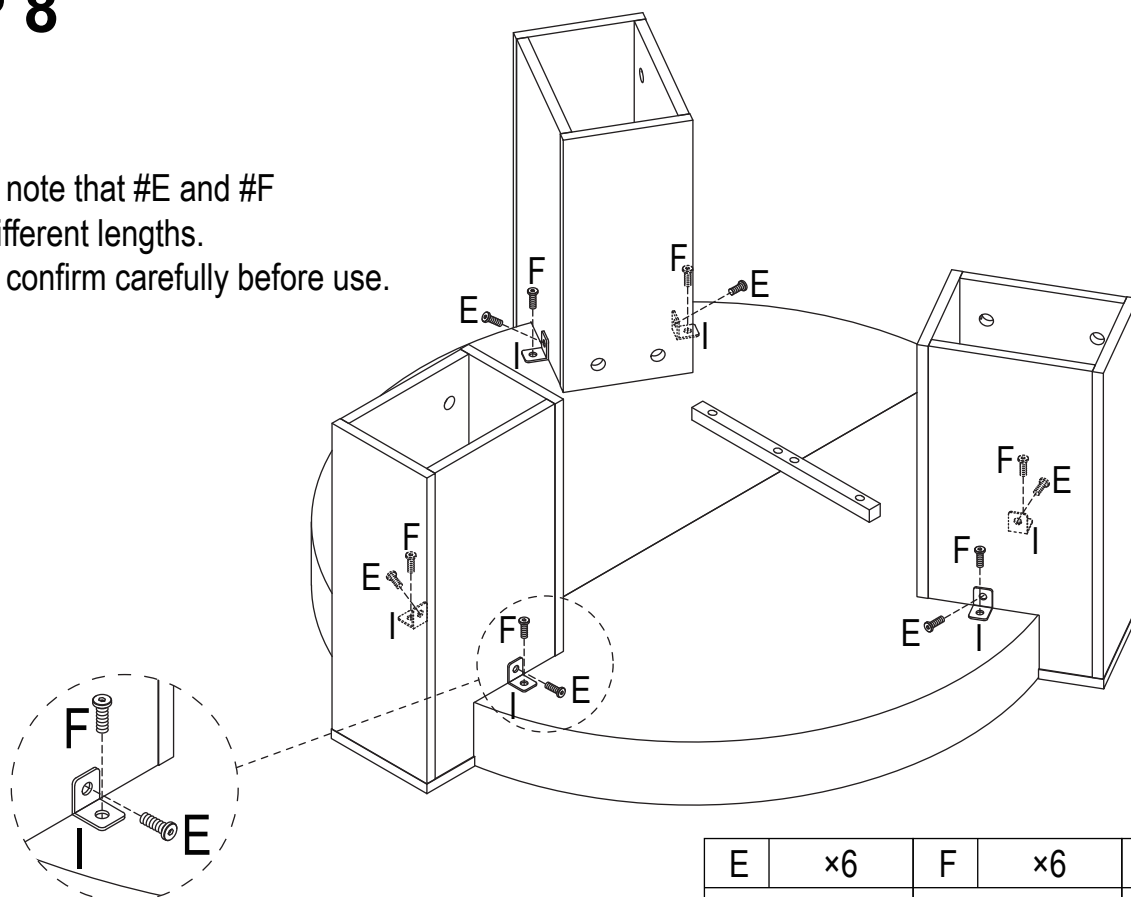
# STEP 7



B	x2
Ø15×10mm	

# STEP 8

Please note that #E and #F have different lengths.  
Please confirm carefully before use.



E	x6	F	x6	I	x6
M6×10mm		M6×15mm		25×25×20mm	